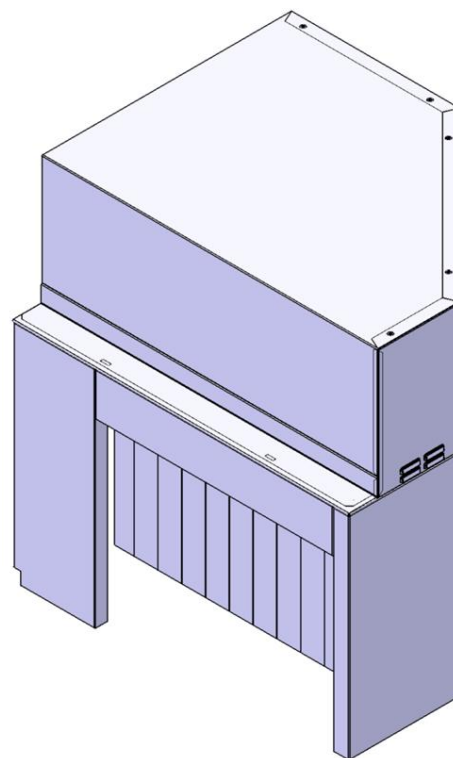


RANGE COMPOSITION

The Zanussi Dishwashing range is produced for customers with the highest conceivable demands for good efficiency, economic and ergonomic dishwashing operations. The product range is comprised glasswashers, undercounter dishwashers, hood type dishwashers, rack type dishwashers and pot and pan washers. The Corner Dryers complete the Rack Type dishwashing range.



864520

CORNER AIR DRYING TUNNEL for RTCS

RACK TYPE DISHWASHERS **ZANUSSI** PROFESSIONAL

FUNCTIONAL AND CONSTRUCTION FEATURES

- ◆ It is designed to be placed on a 90° or 180° dishwashing driven curve, immediately after a Compact rack type dishwasher. The dryer must always be ordered with a 90° or 180° dishwashing driven curve.
- ◆ The feeding system from the dishwasher and the curve will automatic move the racks through the Dryer.

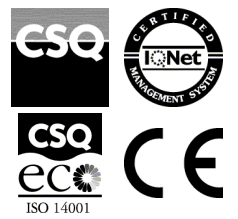
- ◆ The drying zone removes every trace of water from the crockery, through a high powered fan that extracts dry air from outside with minimum temperature loss and steam escape.
- ◆ Electronically controlled to optimize the drying results.
- ◆ The hygienic design provides easy cleaning.

- ◆ 304 AISI stainless steel construction.
- ◆ IPX5 water protection.
- ◆ Developed and produced in ISO 9001 and ISO 14001 certified factory.
- ◆ CFC free packaging.

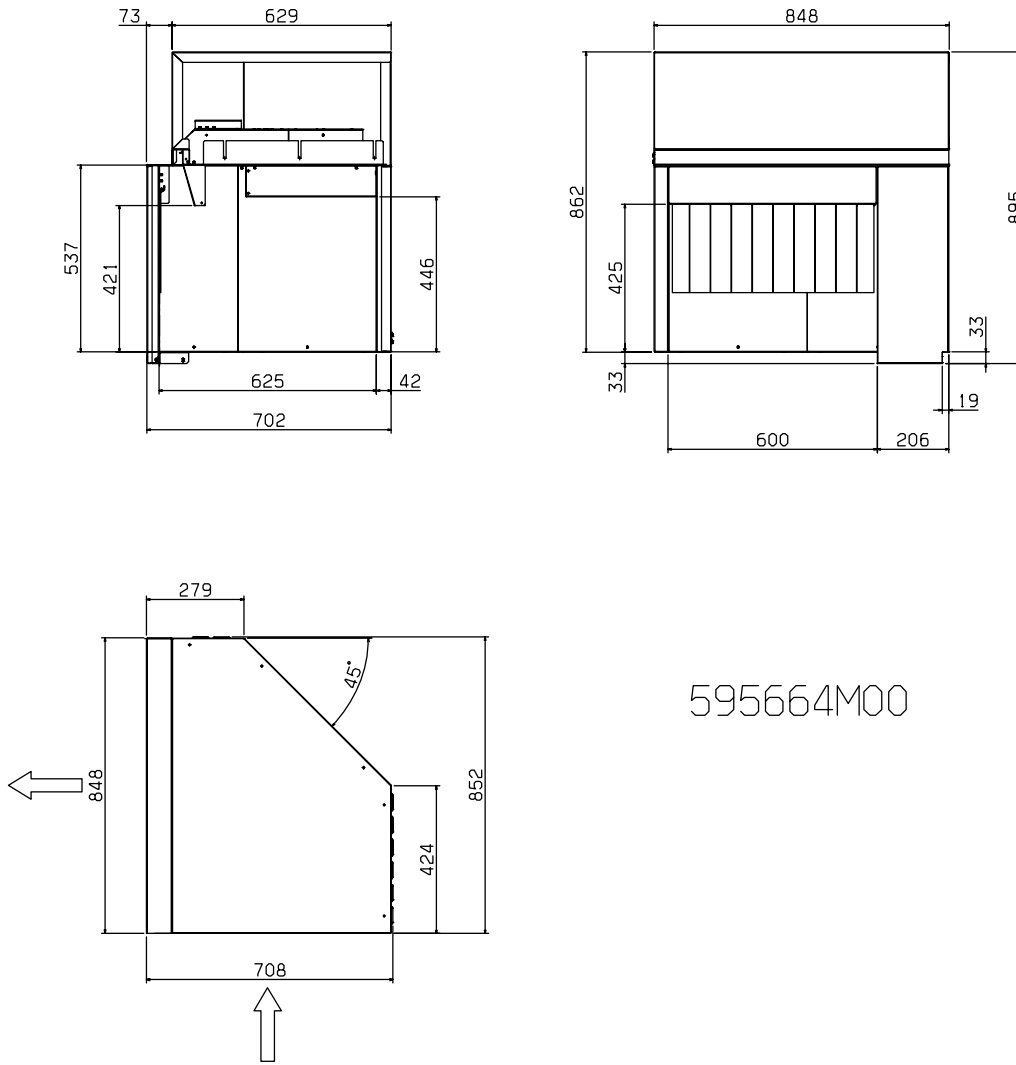
For Compact Rack Types ordered prior to February 2008, please request the drying tunnel as special code.

TECHNICAL DATA		
CHARACTERISTICS	MODELS	
	ADTRTERC 864520	ADTRTELC 864521
Feeding direction	R>L	L>R
Power supply	Electric	Electric
External dimensions - mm		
width	850	850
depth	706	706
height	895	895
Power - kW		
installed-electric	4.25	4.25
Net weight - kg.	70	70
Supply voltage	400 V, 3N, 50/60	400 V, 3N, 50/60
Temperature - °C	50-60	50-60
air flow - m³/h	600	600

RACK TYPE DISHWASHERS
CORNER AIR DRYING TUNNEL for RTCS



www.zanussiprofessional.com

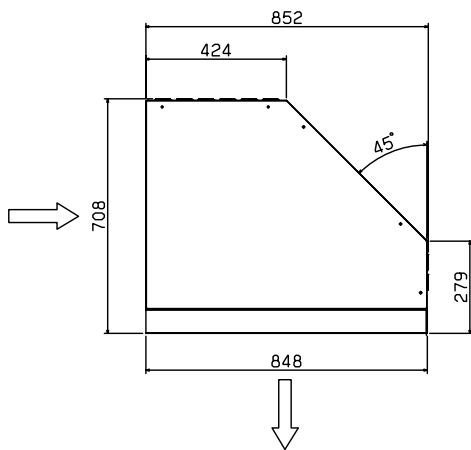
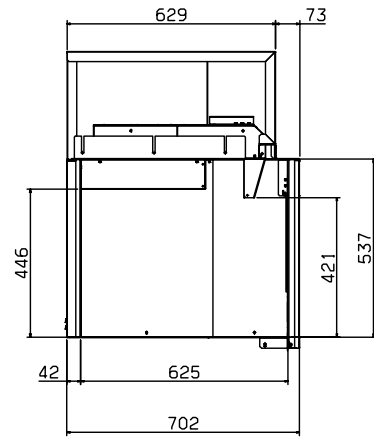
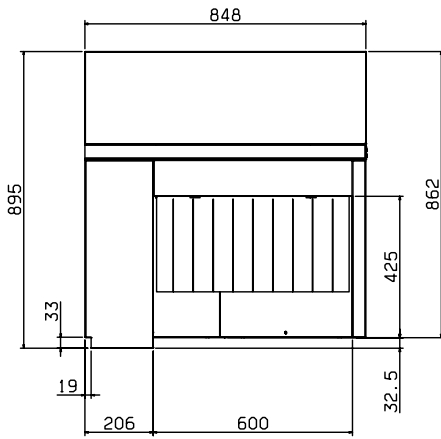


LEGEND

	<p>ADTRTERC 864520</p>
<p>EI - Electrical connection</p>	<p>400 V, 3N, 50/60</p>



www.zanussiprofessional.com



595664N00

LEGEND

	ADTRTELC 864521
EI - Electrical connection	400 V, 3N, 50/60



www.zanussiprofessional.com

Free Manuals Download Website

<http://myh66.com>

<http://usermanuals.us>

<http://www.somanuals.com>

<http://www.4manuals.cc>

<http://www.manual-lib.com>

<http://www.404manual.com>

<http://www.luxmanual.com>

<http://aubethermostatmanual.com>

Golf course search by state

<http://golfingnear.com>

Email search by domain

<http://emailbydomain.com>

Auto manuals search

<http://auto.somanuals.com>

TV manuals search

<http://tv.somanuals.com>