

ZANUSSI

FREEZER

ZV 40 R

INSTRUCTION BOOKLET

CONTENTS

Instructions for the User

Important Safety Instructions	3
Description of the Appliance	4
Operation	4
Before use	4
Freezer controls	4
Starting your appliance	5
Temperature control	5
Warning light (red)	5
Freezing fresh food	5
Frozen food storage	5
Thawing	6
Ice making	6
Normal Operating Sound	6
Health and safety guidelines	7
Defrosting	8
Maintenance and Cleaning	9
Internal cleaning	9
External cleaning	9
When the appliance is not use	9
Something not Working?	10
Service and Spare Parts	11
Customer Care Department	11
Guarantee Conditions	12

Instructions for the Installer

Technical Specifications	13
Installation	13
Positioning	13
Door Reversal	14
Electrical Connection	15



IMPORTANT SAFETY INSTRUCTIONS

These warnings are provided in the interests of your safety. Ensure that you understand them all before installing or using this appliance. Your safety is of paramount importance. If you are unsure about any of the meanings of these warnings contact the Customer Care Department.

Prior to Installation

- Check the appliance for transport damage. Under no circumstance should a damaged appliance be installed. In the event of damage please contact your retailer.

Installation

- This appliance is heavy. Care should be taken when moving it.
- It is dangerous to alter the specifications or attempt to modify this product in any way.
- Ensure that the appliance does not stand on the electrical supply cable. If the supply cable is damaged, it must be replaced by a cable available from your local Service Force Centre.
- Any electrical work required to install this appliance should be carried out by a qualified electrician or competent person.
- Parts which heat up should not be exposed. Whenever possible, the back of the appliance should be close to a wall, but leaving the required distance for ventilation, as stated in the installation instructions.
- The appliance should be left for 2 hours after installation before it is turned on, in order to allow the refrigerant to settle.

Refrigerant

- During transportation and installation of the appliance, be certain that none of the components of the refrigerant circuit become damaged.
- If the refrigerant circuit should become damaged:
 - avoid open flames and sources of ignition.
 - thoroughly ventilate the room in which the appliance is situated.

Child Safety

- Do not allow children to tamper with the controls or play with the product.
- There is a risk of suffocation! Keep packaging material away from children!

During Use

- This appliance is designed for domestic use only, specifically for the storage of edible foodstuffs only. It is not intended for commercial or industrial use.

- Containers with flammable gases or liquids can leak at low temperatures. Do not store any containers with flammable materials, such as spray cans, fire extinguisher refill cartridges etc. in the freezer.
- Frozen food should not be refrozen once it has thawed out.
- Do not place carbonated or fizzy drinks in the freezer.
- Ice lollies can cause 'frost/freezer burns' if consumed straight from the freezer.
- Do not remove items from the freezer if your hands are damp/wet, as this could cause skin abrasions or frost/freezer burns.
- Bottles and cans must not be placed in the freezer compartment they can burst when the contents freeze.
- Manufacturers' recommended storage times should be adhered to. Refer to relevant instructions.

Maintenance and Cleaning

- Before cleaning, always switch off the appliance and disconnect from the electrical supply.
- When unplugging always pull the plug from the mains socket, do not pull on the cable.

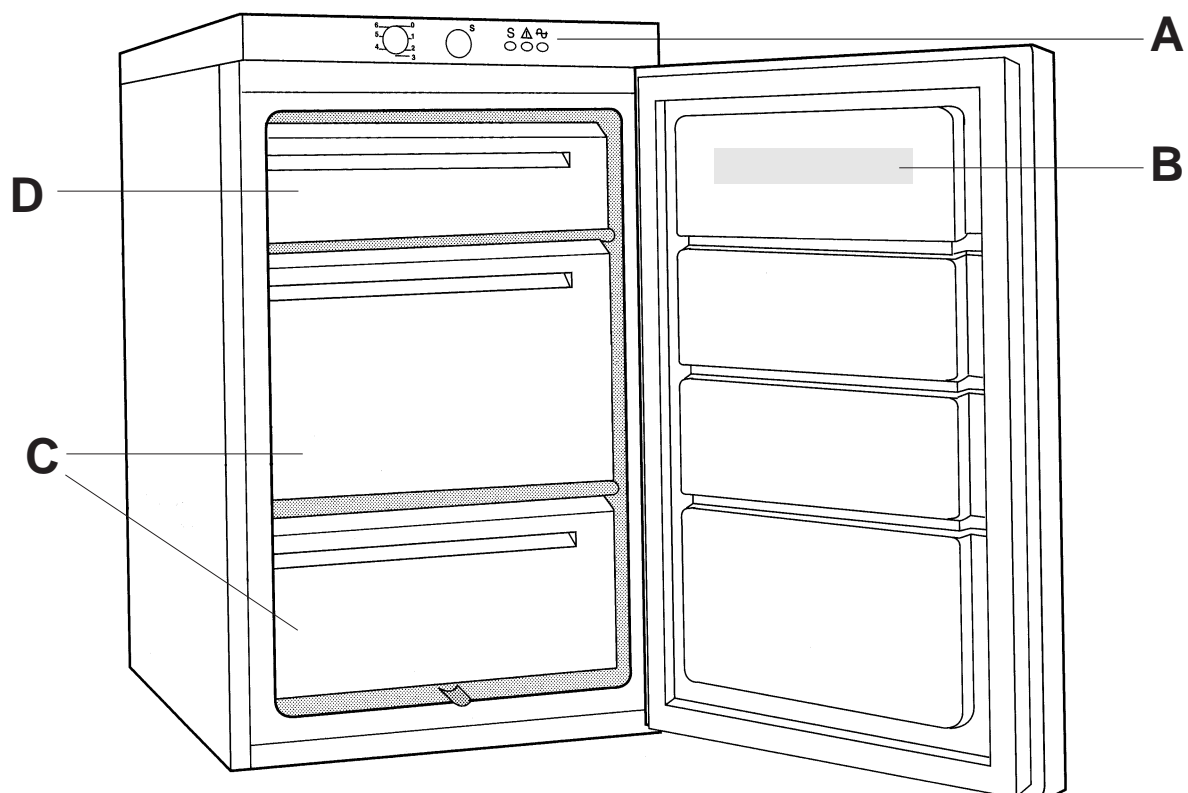
Servicing

- This product should be serviced by an authorised engineer and only genuine spare parts should be used.
- Under no circumstances should you attempt to repair the appliance yourself. Repairs carried out by inexperienced persons may cause injury or serious malfunctioning. Contact your local Service Force Centre.

At the end of the Appliance Life

- When disposing of your appliance use an authorised disposal site.
- Remove the plug and ensure that any locks or catches are removed, to prevent young children being trapped inside.

i DESCRIPTION OF THE APPLIANCE



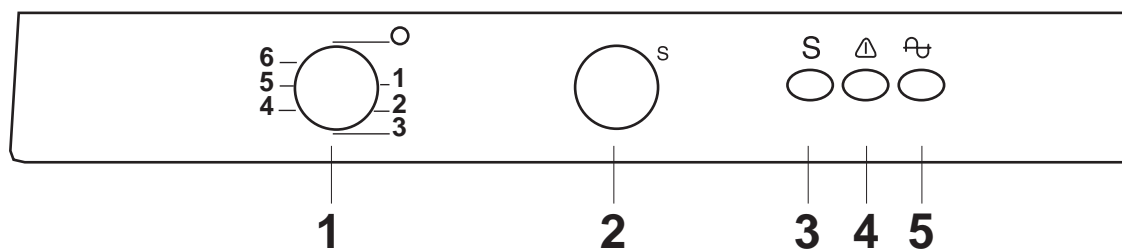
- A - Freezer controls
- B - Freezer calendar (recommended storage times for frozen foods)
- C - Freezer food storage compartment
- D - Freezing fresh food compartment

i OPERATION

Before use

Remove all securing tapes. Wash inside the appliance with lukewarm water and bicarbonate of soda (5 ml to 0.5 litre of water). Do not use soap or detergent as the smell may linger. Dry thoroughly.

Freezer controls



- 1 - Thermostat control
- 2 - Fast freeze switch
- 3 - Fast freeze light (yellow)
- 4 - Warning light (red)
- 5 - Mains-on light (green)

Starting your appliance

Insert the plug into the wall socket. The pilot light "5" will light up to show that the appliance is on.

Temperature control

The temperature within the freezer is controlled by the thermostat situated at the top of the cabinet.

To operate the freezer proceed as follows:

Turn the thermostat control beyond the «O» position. When you first start the freezer, we suggest that you turn the thermostat control to a medium setting. For easier turning of this control, use a small coin.

The internal temperature of the freezer is automatically adjusted by the thermostat to ensure safe food storage. However, if the appliance is working in unfavourable room conditions such as poor ventilation, high temperature and frequent door openings, it may be necessary to select a more suitable setting.

To obtain a colder temperature, turn the thermostat control to the higher numbers; to obtain a warmer temperature turn the control to the lower numbers.

Warning light (red)

If the temperature warning light "4" lights up, it indicates that the temperature within the freezer has reached a level where safe food storage is no longer ensured.

When the freezer is first switched on, the warning light will stay on until the temperature has dropped to a safe level for the storage of frozen food.

Freezing fresh food

In any 24 hour period you can freeze up to 12 kg of fresh food.

When you first start the freezer, or after a period of non-use, push the fast-freeze button "2" to the "ON" position 2-3 hours before you want to freeze your food (the yellow light "3" lights up).

If the freezer is already in operation, the fast-freeze switch should be activated about 24 hours before freezing fresh food. This time can be shortened depending on the quantity of food to be frozen. After the time has elapsed place the food to be frozen in the top compartment of the freezer as this is the coldest part.

Once the food is completely frozen (which could take up to 24 hours) return the fast freeze switch to the «OFF» position; the yellow light "3" goes off.

Distribute the frozen food packages in the other compartments, so that the top compartment can be used for a further freezing operation.

Only freeze top quality, fresh and thoroughly cleaned foodstuffs.

Do not allow fresh food to touch food which is already frozen.

During the freezing process, ensure that the freezer door remains closed.

Frozen food storage

When you first start the freezer or if the freezer has been out of use for some time, we advise you to run your appliance for at least two hours in the «fast freeze» mode before storing frozen food.

To obtain the best performance from this appliance, we strongly recommend that you make sure that the commercially frozen foodstuffs were adequately stored by the retailer and, furthermore, be sure that these frozen foodstuffs are transferred from the foodstore to your freezer in the shortest possible time (a temperature increase of the frozen food could shorten its storage period).

It is also advisable not to exceed the storage period indicated by the producer of the food.

Finally, do not open the door frequently or leave it open longer than is absolutely necessary.



Important

Do not put carbonated liquids, (fizzy drinks etc.), in the freezer.

Water ices, if consumed immediately after removal from the freezer, can possibly result in a low temperature skin burn.

Do not remove items from the freezer if your hands are damp/wet, as this could cause skin abrasions or "frost/freezer burns".

If there is a power failure during the storage of frozen food, do not open the door during the whole time of the power failure. If the freezer is fully loaded, the frozen food will not be affected if the power cut is of short duration; otherwise, it is recommended to consume the food within a very short time.

If required, to accommodate large items, the wire shelf in the central compartment can be removed to make use of the appliance's full volume.

Thawing

Deep frozen or frozen food, prior to being used, can be thawed in the fridge or at room temperature depending on the time available. Small food items may even be cooked from frozen; in this case cooking will take longer.

Any frozen food which is allowed to thaw accidentally should either be eaten as soon as possible or thrown away. Alternatively, if the food is uncooked and has not been completely defrosted it can be cooked and then refrozen.

Defrosted cooked food must never be refrozen.

Ice making

Fill the ice tray with water to the top of each ice cube compartment, and place it in the freezer. To release the ice cubes, twist the tray along its length. Never use a sharp instrument to remove ice from the tray.

Normal Operating Sounds

You may hear faint gurgling or bubbling sounds when the refrigerant is pumped through the coils or tubing at the rear, to the fixed freezer shelves.

When the compressor is on, the refrigerant is being pumped round, and you will hear a whirring sound or pulsating noise from the compressor.

A thermostat controls the compressor, and you will hear a faint 'click' when the thermostat cuts in and out.



HEALTH AND SAFETY GUIDELINES

Because of consumer demand, preservatives have been removed from many pre-prepared food. This together with the changes in shopping habits to a once-a-week shop, mean that safe handling and storage of food is even more important than ever.

The following tips should help you to ensure that the food in your home is in as perfect condition as possible.

- Keep the freezer door closed as much as possible.
- Do not push food together too much, try to allow air to circulate around each item.
- Cool cooked food as quickly as possible but do NOT place in the freezer until cool. (Leave food in a cool place in order that it can then be placed in the refrigerator as soon as possible).
- Do not store food uncovered.
- The best way to defrost food is to put it in the refrigerator to thaw slowly.
- Ensure that food placed in the freezer is dated and labelled and used in date order to ensure that food is consumed at its best.
- It is important that food is used before its “best before” date.
- Always wash your hands with soapy water and dry them with a clean towel before handling food.
- Keep work surfaces clean and avoid cross contamination by not using the same work surface or knife, without washing them thoroughly in between.
- The foods to be frozen must be fresh and of the best quality.
- The size of each pack should be small enough to ensure that it is used in one go. Small packs freeze more quickly and uniformly and give better results.
- Frozen food, once thawed, must not be refrozen. Lean food keeps better and longer than fatty food, salt reduces the storage time.
- Wrap the food in polythene or aluminium freezing bags or foil so that they adhere to the food and provide an airtight seal.
- Packaging which is swollen or has traces of refrozen water droplets on the pack could indicate that the product has not been kept at a suitable temperature and that it may have lost its original quality. Partially thawed food must not be refrozen, it must be consumed within 24 hours. Never exceed the storage time indicated.
- Never place bottles or cans of fizzy drink in the freezer as they may explode. Containers with a lid must not be filled to the brim.
- Do not open the door or place extra fresh food in the freezer next to food which is already frozen as this could cause the temperature of the frozen food to rise and its quality and storage life to reduce.

DEFROSTING

The freezer compartment will become progressively covered with frost. This should be removed with the special plastic scraper provided, whenever the thickness of the frost exceeds 1/4".

During this operation it is not necessary to switch off the power supply or to remove the foodstuffs. However, when the ice becomes very thick on the inner liner, complete defrosting should be carried out and it is advisable to carry out this operation when the appliance is empty.

To carry out complete defrosting proceed as follows:

1. Remove any stored food, wrap it in several layers of newspaper and put it in a cool place.
2. Turn the thermostat control to the «O» setting.
3. Leave the door open.
4. Introduce the plastic scraper in the appropriate seating at the base of the cabinet as shown in the figure and place a basin underneath to collect the defrost water.
5. When defrosting is completed, dry the interior thoroughly.

Turn the thermostat control to a medium setting between 2 and 4 and, after letting the appliance run for at least two hours in the «fast freeze» mode, replace the previously removed food into the compartments.

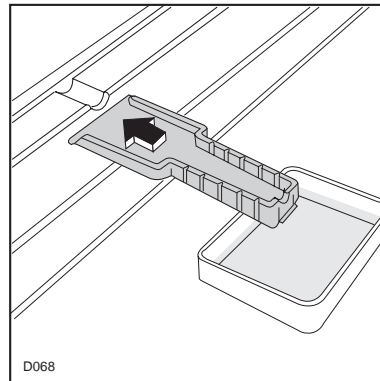
Do not forget to release the fast freeze switch when you replace the food in the freezer.



Important

A temperature rise of the frozen food packs during defrosting may shorten their storage life.

Never use sharp metal tools to scrape off frost from the evaporator as you could damage the appliance beyond repair.



Important

In the event of a power failure causing the temperature within your freezer to rise, do not re-freeze the food without checking its condition. The following guidelines should assist you:

Ice-cream: once thawed should be discarded.

Fruits & Vegetables: if soft should be cooked and used up.

Breads & Cakes: can be re-frozen without danger.

Shellfish: should be refrigerated and used up quickly.

Cooked Dishes: i.e. casseroles should be refrigerated and used up.

Large Pieces of Meat: can be re-frozen providing there are still ice crystals remaining within them.

Small Joints: should be cooked and can then be re-frozen as cooked dishes.

Chicken: should also be cooked and re-frozen as a cooked dish.

MAINTENANCE AND CLEANING

Before any maintenance or cleaning work is carried out, DISCONNECT the appliance from the ELECTRICITY supply.

Internal cleaning

Clean the inside and accessories with warm water and bicarbonate of soda (5ml to 0.5 litre of water). Rinse and dry thoroughly.

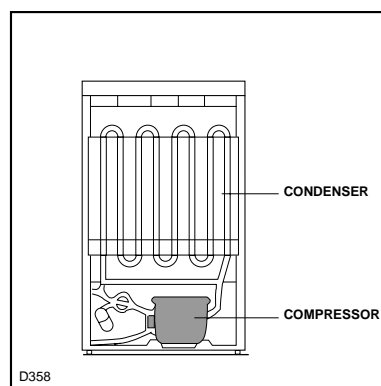
NEVER USE DETERGENTS, ABRASIVE POWDERS, HIGHLY PERFUMED CLEANING PRODUCTS OR WAX POLISHES, TO CLEAN THE INTERIOR AS THESE WILL DAMAGE THE SURFACE AND LEAVE A STRONG SMELL.

External cleaning

Wash the outer cabinet door with warm soapy water. Do NOT use abrasive products.

Once or twice a year dust the condenser (black grill) and the compressor at the back of the appliance, with a brush or vacuum cleaner, see figure.

You MUST ensure that the appliance is switched OFF. An accumulation of dust will affect the performance of the appliance and cause excessive electricity consumption.



When the appliance is not in use

When the appliance is not in use for long periods, disconnect from the electricity supply, empty all foods and clean the appliance, leaving the door ajar to prevent unpleasant smells.

SOMETHING NOT WORKING?

Important: If you call out an engineer to a fault listed below, or to repair a fault caused by incorrect use or installation a charge will be made, even if the appliance is under guarantee.

Before contacting your local Service Force Centre check the following points.

Symptom	Solution
No power to appliance	<ul style="list-style-type: none"> - Check there is power at the socket. - Check there is not a power cut by checking the household lights. - Check the fuse has not blown.
The temperature in the freezer is too high	<ul style="list-style-type: none"> - Check the thermostat knob is turned to the correct setting relative to ambient conditions. - Check the ambient temperature is within the appliances operating limits of 10°C to 32°C. Relocate the appliance if necessary.
The freezer door will not open	<ul style="list-style-type: none"> - Has the door just been opened? If so leave for a few minutes to allow the air pressure to equalise.
The compressor runs continuously	<ul style="list-style-type: none"> - Adjust the thermostat knob to give correct temperature control. See page 5. - Check that the door is closed. - Large quantities of food have recently been placed in the cabinet/and or door is frequently opened. - Check that air ventilation is not obstructed.
Excessive frost and ice has built up.	<ul style="list-style-type: none"> - Ensure the door is not left open. - Check that nothing is preventing the door from closing. Is the door gasket intact and clean. - Has advised periodic defrosting been carried out.
Noise	<ul style="list-style-type: none"> - Refer to normal operating sounds.

If after the above checks, there is still a fault, call your local Service Force Centre.

In-guarantee customers should ensure that the above checks have been made as the engineer will make a charge if the fault is not a mechanical or electrical breakdown.

Please note that proof of purchase is required for any in-guarantee service calls.

SERVICE AND SPARE PARTS



In the event of your appliance requiring service, or if you wish to purchase spare parts please contact your local Zanussi Service Force Centre by telephoning:

0870 5 929929

Your call will be routed to the Service Force Centre covering your post code area. The address of your local Service Force Centre is detailed in the accompanying Customer Care Book.

Before calling out an engineer, please ensure you have read the details under the heading 'Something Not Working?'

When you contact the Service Centre you will need to give the following details.

1. Your name, address and post code
2. Your telephone number
3. Clear and concise details of the fault
4. The model serial no. of the appliance (found on the rating plate)
5. The purchase date

CUSTOMER CARE DEPARTMENT

For general enquiries concerning your Zanussi appliance or for further information on Zanussi products, you are invited to contact our Customer Care Department by letter or telephone as follows:

Customer Care Department
Zanussi
Zanussi House
Hambridge Road
Newbury
Berkshire
RG14 5EP

Tel: 01635 521313

GUARANTEE CONDITIONS

Standard guarantee conditions

We, Zanussi Limited, undertake that if within 12 months of the date of purchase this Zanussi appliance or any part thereof is proved to be defective by reason only of faulty workmanship or materials, we will, at our option repair or replace the same FREE OF CHARGE for labour, materials or carriage on condition that:

- The appliance has been correctly installed and used only on the electricity supply stated on the rating plate.
- The appliance has been used for normal domestic purposes only, and in accordance with the manufacturer's instructions.
- The appliance has not been serviced, maintained repaired, taken apart or tampered with by any person not authorised by us.
- All service work under this guarantee must be undertaken by a Zanussi Service Force Centre.
- Any appliance or defective part replaced shall become the Company's property.
- This guarantee is in addition to your statutory and other legal rights.

Home visits are made between **8.30am** and **5.30pm** Monday to Friday. Visits may be available outside these hours in which case a **premium** will be charged.

Exclusions

This guarantee does not cover:

- Damage or calls resulting from transportation, improper use or neglect, the replacement of any light bulbs or removable parts of glass or plastic.
- Costs incurred for calls to put right an appliance which is improperly installed or calls to appliances outside the United Kingdom.
- Appliances found to be in use within a commercial environment, plus those which are subject to rental agreements.
- Products of Zanussi manufacture which are not marketed by Zanussi Limited.

European Guarantee

If you should move to another country within Europe then your guarantee moves with you to your new home subject to the following qualifications:

- The guarantee starts from the date you first purchased your product.
- The guarantee is for the same period and to the same extent for labour and parts as exists in the new country of use for this brand or range of products.
- This guarantee relates to you and cannot be transferred to another user.
- Your new home is within European Community (EC) or European Free Trade Area.
- The product is installed and used in accordance with our instructions and is only used domestically, i.e. a normal household.
- The product is installed taking into account regulations in your new country.

Before you move please contact your nearest Customer Care centre, listed below, to give them details of your new home. They will then ensure that the local Service Organisation is aware of your move and able to look after you and your appliance.

France	Senlis	+33 (0) 44 62 29 99
Germany	Nuremberg	+49 (0) 911 323 2600
Italy	Pordenone	+39 (0) 1678 47053
Sweden	Stockholm	+46 (0) 8 738 79 50
UK	Newbury	+44 (0) 1753 219897

TECHNICAL SPECIFICATIONS

DIMENSIONS

Height	85	cm
Width	49.5	cm
Depth	60	cm

POWER SUPPLY VOLTAGE AND FREQUENCY
TOTAL POWER ABSORBED
AVERAGE DAILY UNITS ELECTRICITY (*)

220-240 V / 50 Hz
120 W
0,9 kWh

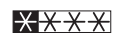
GROSS CAPACITY

100 l

NET CAPACITY

90 l

STAR RATING



(*) This figure is based on standard test results in accordance with the European Standard EN153. Actual consumption will depend on how the appliance is used and where it is located.

INSTALLATION

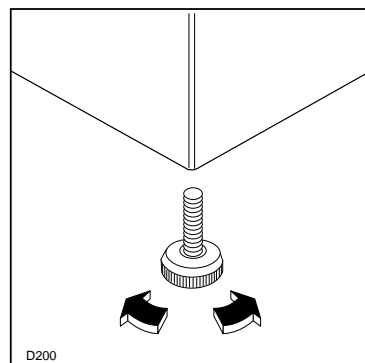
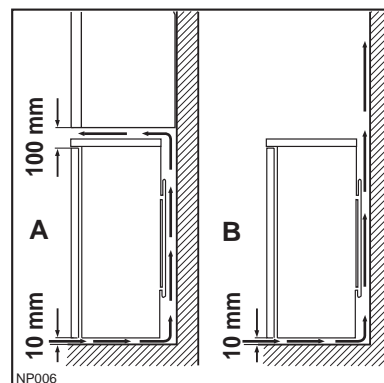
Positioning

For this appliance to work efficiently, it should be located away from heat sources, e.g. cookers, radiators, boilers, direct sunlight etc. This also includes locations or rooms where the ambient temperature reaches above 32°C (90°F) or drops below 10°C (50°F), e.g. conservatories.

You should also ensure that air can circulate freely around the back and the top of the cabinet. There must also be a minimum distance between the top of the cabinet and any overhanging kitchen furniture as shown in the figure.

Do not obstruct the space underneath. The back of the cabinet may be placed close to the wall but must not touch it. DO NOT install in places with restricted ventilation.

Adjust the level of the appliance by screwing out the adjustable foot, or feet, at the bottom of the cabinet using your fingers.

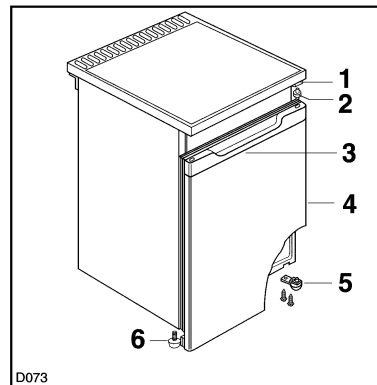


Door Reversal

Before carrying out the operations described below, pull out the mains plug from the wall socket. You will need a Philips screwdriver (cross headed) and a normal screwdriver (slot headed).

To carry out this reversal go through the following steps:

1. Gently lay the appliance on its back with the top held away from the floor by 5-8 cm (2-3 inches) of packing.
2. Remove the bottom door hinge (5).
3. Remove the door (4) by opening it and pulling it gently downwards to remove it from the top hinge pin (2).
4. Unscrew the top hinge pin (2) from the top hinge (1) and replace it in the opposite hole on the left hand side.
5. Unscrew the foot at the base (6) of the appliance and refit it on the opposite side.
6. Refit the door and the bottom hinge to the left hand side.



When the bottom hinge is screwed in, a certain amount of force is exerted on the screws. It is therefore advisable to lubricate the screw tips before starting this operation.



Important

After completion of the door reversal operation, verify that the door gasket is sealing onto the cabinet.

ELECTRICAL CONNECTION



WARNING:

THIS APPLIANCE MUST BE EARTHED.
The manufacturer declines any liability should this safety measure not be observed.

If the plug that is fitted to your appliance is not suitable for your socket outlet, it must be cut off and the appropriate plug fitted.

Remove the fuse from the cut off plug.

The cut off plug should then be disposed of to prevent the hazard of shocks in case it should be plugged into a 13amp socket in another part of your home.



Important

The wires in the mains lead are coloured in accordance with the following code:

Green and Yellow - Earth
Blue - Neutral
Brown - Live

If you fit your own plug, the colours of the wires in the mains lead of your appliance, may not correspond with the markings identifying the terminals in your plug, proceed as follows:

Connect the Green and the Yellow (earth) wire to the terminal in the plug which is marked with the letter «E» or the earth symbol \oplus , or coloured green and yellow.

Connect the blue (neutral) wire to the terminal in the plug which is marked with the letter «N» or coloured black.

Connect the brown (live) wire to the terminal in the plug which is marked with the letter «L» or coloured red.

The plug moulded onto the lead incorporates a fuse. For replacement, use a 13amp BS1362 fuse. Only ASTA or BSI approved fuses should be used.

The plug must not be used if the fuse cover/carrier is lost. The cover/carrier is indicated by the coloured insert at the base of the plug.

A replacement cover/carrier must be obtained from your local Zanussi Service Force Centre whose address is listed in the Customer Care Booklet which accompanies your instruction manual.

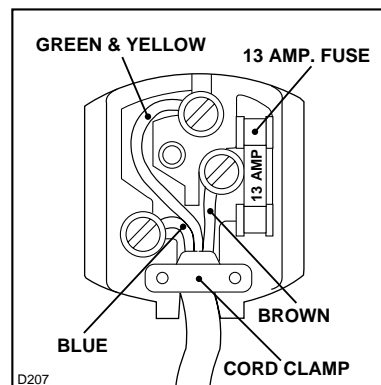
This appliance complies with the E.E.C. Directive No. 87/308 of 2.6.87 relative to radio interference suppression.



This appliance complies with the following E.E.C. Directive:

- 73/23 EEC of 19.2.73 (Low Voltage Directive) and subsequent amendments.
- 89/336 EEC of 3.5.89 (Electromagnetic Compatibility Directive) and subsequent amendments.

Please ensure that when the appliance is installed it is easily accessible for the engineer in the event of breakdown.



Free Manuals Download Website

<http://myh66.com>

<http://usermanuals.us>

<http://www.somanuals.com>

<http://www.4manuals.cc>

<http://www.manual-lib.com>

<http://www.404manual.com>

<http://www.luxmanual.com>

<http://aubethermostatmanual.com>

Golf course search by state

<http://golfingnear.com>

Email search by domain

<http://emailbydomain.com>

Auto manuals search

<http://auto.somanuals.com>

TV manuals search

<http://tv.somanuals.com>