

RANGE COMPOSITION

N 700: a range of over 100 models for the professional caterer designed to guarantee the highest level of performance, reliability, energy saving, safety standards and ergonomic operation. These concepts are reflected in the total modularity of the range that ensures numerous configurations, either free-standing or bridged. N 700 demonstrates how advanced technology can satisfy the needs of the professional caterer.

The models detailed on this sheet are 7 litres fryers in gas version with one or two wells.



178113

N 700

GAS FRYERS - 7 LT ZANUSSI PROFESSIONAL

FUNCTIONAL AND CONSTRUCTION FEATURES

- ◆ Stainless steel burners with optimized combustion, flame failure device and protected pilot light.
- ◆ Working temperature from 105°C to 185°C.
- ◆ Additional overheat safety thermostat.
- ◆ The "V" shaped wells have the burners attached to the outside allowing an increased life of the oil, greater productivity and an easier cleaning.
- ◆ All models have right-angled side edges to allow flush-fitting joins between units, eliminating gaps and possible dirt traps.
- ◆ Worktop in 1,5mm stainless steel. Front panel in stainless steel with Scotch Brite finish.
- ◆ Feet in stainless steel adjustable in height 50mm.
- ◆ Doors with handles in stainless steel.
- ◆ Oil drainage via a tap into a

drainage container positioned under the well thus simplifying the consumed oil management and guaranteeing the operator safety (freestanding models).

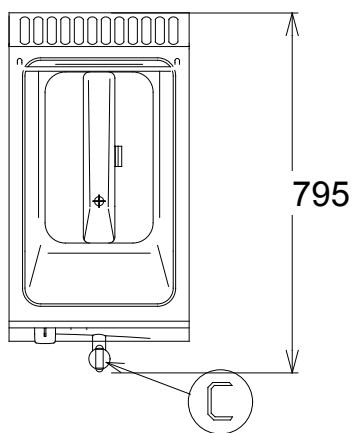
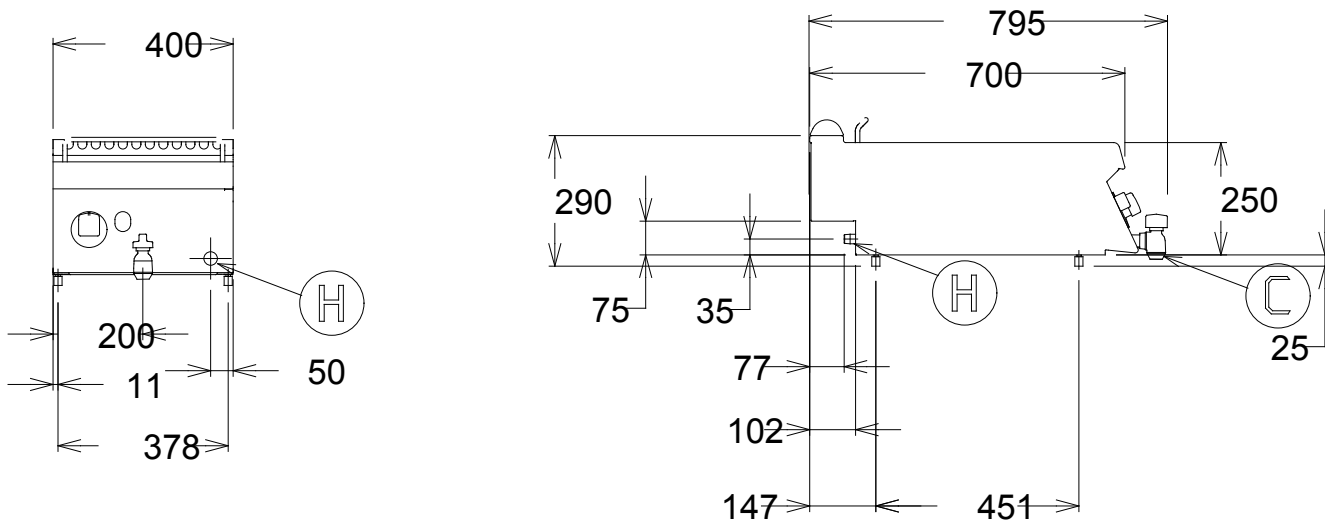
| TECHNICAL DATA | | | | |
|--|--------------------|--------------------|-------------------|-------------------|
| CHARACTERISTICS | MODELS | | | |
| | KFRG481T 178110 | KFRG831T 178111 | KFRG481 178112 | KFRG831 178113 |
| Power supply | Gas | Gas | Gas | Gas |
| External dimensions - mm | | | | |
| width | 400 | 800 | 400 | 800 |
| depth | 700 | 700 | 700 | 700 |
| height | 250 | 250 | 850 | 850 |
| height adjustment | | | 50 | 50 |
| N° of wells | 1 | 2 | 1 | 2 |
| Usable well dimensions - mm | | | | |
| width | 240 | 240 | 240 | 240 |
| depth | 380 | 380 | 380 | 380 |
| height | 235 | 235 | 235 | 235 |
| Temperature limiter | ● | ● | ● | ● |
| Thermostat range (min-max) - °C | 105, 185 | 105, 185 | 105, 185 | 105, 185 |
| Maximum Well Capacity -lt | 5.5, 7 | 5.5, 7 | 5.5, 7 | 5.5, 7 |
| Power - kW | | | | |
| gas | 7 | 14 | 7 | 14 |
| Net weight - kg. | 30 | 60 | 40 | 50 |
| INCLUDED ACCESSORIES | | | | |
| BASKET FOR 7 LT FRYERS | 1 | 2 | 1 | 2 |
| LEFT SIDE DOOR FOR OPEN BASE CUPBOARD | | | | 1 |
| RIGHT SIDE DOOR FOR OPEN BASE CUPBOARD | | | 1 | 1 |

- ◆ Oil drainage via tap on front for table-top models.
- ◆ IPX4 water protection.
- ◆ Main connections can be via the rear or the base of the unit.
- ◆ All models can be easily mounted on open base cupboards or bridging supports.
- ◆ All top models provided with service duct to facilitate installation.
- ◆ Appliances are supplied for use with natural gas or LPG. Conversion jets supplied as standard.

| OPTIONAL ACCESSORIES | | | | |
|--|--------------------|--------------------|-------------------|-------------------|
| ACCESSORIES | MODELS | | | |
| | KFRG481T 178110 | KFRG831T 178111 | KFRG481 178112 | KFRG831 178113 |
| 2 SIDE COVERING PANELS FOR TOP-D=700MM | 206277 | 206277 | 206277 | 206277 |
| 2 SIDE COVERING PANELS H=700 D=700 | | | 206000 | 206000 |
| 2 SIDE KICKING STRIPS-CONCRETE INSTALL. | | | 206265 | 206265 |
| 4 FEET FOR CONCRETE INSTALLATION | | | 206210 | 206210 |
| BASKET FOR 7 LT FRYERS | 921608 | 921608 | 921608 | 921608 |
| CHIMNEY COVER 400MM OPEN | 206284 | | 206284 | |
| CHIMNEY COVER 800MM OPEN-LARGE CHIMNEY | | 206273 | | 206273 |
| CHIMNEY UPSTAND 400MM | 206303 | | 206303 | |
| CHIMNEY UPSTAND 800MM | | 206304 | | 206304 |
| DRAUGHT DIVERTER WITH 120 MM DIAMETER | | | | 206126 |
| FILTER FOR FRYER OIL COLLECTION BASIN | | | | 921693 |
| FLANGED FEET KIT | | | 206136 | 206136 |
| FLUE CONDENSER | | | | 206246 |
| FRONT.KICK.STRIP F.CONCRETE INST.1000 MM | | | 206150 | 206150 |
| FRONT.KICK.STRIP F.CONCRETE INST.1200 MM | | | 206151 | 206151 |
| FRONT.KICK.STRIP F.CONCRETE INST.1600 MM | | | 206152 | 206152 |
| FRONT.KICK.STRIP F.CONCRETE INST.200 MM | | | 206146 | 206146 |
| FRONT.KICK.STRIP F.CONCRETE INST.400 MM | | | 206147 | 206147 |
| FRONT.KICK.STRIP F.CONCRETE INST.800 MM | | | 206148 | 206148 |
| FRONTAL HANDRAIL 1200 MM | 206191 | 206191 | 206191 | 206191 |
| FRONTAL HANDRAIL 1600 MM | 206192 | 206192 | 206192 | 206192 |
| FRONTAL HANDRAIL 400 MM | 206166 | 206166 | 206166 | 206166 |
| FRONTAL HANDRAIL 800 MM | 206167 | 206167 | 206167 | 206167 |
| FRONTAL KICKING STRIP 1000 MM | | | 206177 | 206177 |
| FRONTAL KICKING STRIP 1200 MM | | | 206178 | 206178 |
| FRONTAL KICKING STRIP 1600 MM | | | 206179 | 206179 |
| FRONTAL KICKING STRIP 200 MM | | | 206174 | 206174 |
| FRONTAL KICKING STRIP 400 MM | | | 206175 | 206175 |
| FRONTAL KICKING STRIP 800 MM | | | 206176 | 206176 |
| LARGE HANDRAIL(PORTIONING SHELF)400 MM | 206185 | 206185 | 206185 | 206185 |
| LARGE HANDRAIL(PORTIONING SHELF)800 MM | 206186 | 206186 | 206186 | 206186 |
| LEFT SIDE DOOR FOR OPEN BASE CUPBOARD | | | 206195 | |
| PAIR OF SIDE KICKING STRIPS | | | 206249 | 206249 |
| PRESSURE REGULATOR FOR GAS UNITS | 927225 | 927225 | 927225 | 927225 |
| RIGHT AND LEFT SIDE HANDRAILS | 206240 | 206240 | 206240 | 206240 |
| SUPPORT FOR "BRIDGE" SYSTEM 1000 MM | 206138 | 206138 | | |
| SUPPORT FOR "BRIDGE" SYSTEM 1200 MM | 206139 | 206139 | | |
| SUPPORT FOR "BRIDGE" SYSTEM 1400 MM | 206140 | 206140 | | |
| SUPPORT FOR "BRIDGE" SYSTEM 1600 MM | 206141 | 206141 | | |
| SUPPORT FOR "BRIDGE" SYSTEM 400 MM | 206154 | 206154 | | |
| SUPPORT FOR "BRIDGE" SYSTEM 800 MM | 206137 | 206137 | | |



www.zanussiprofessional.com



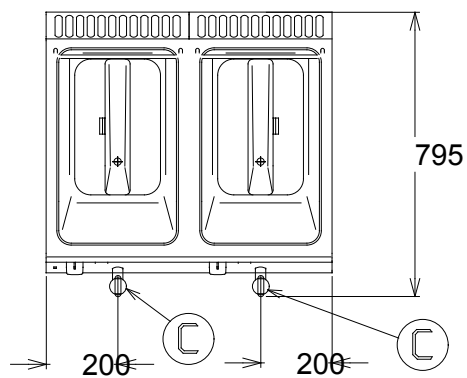
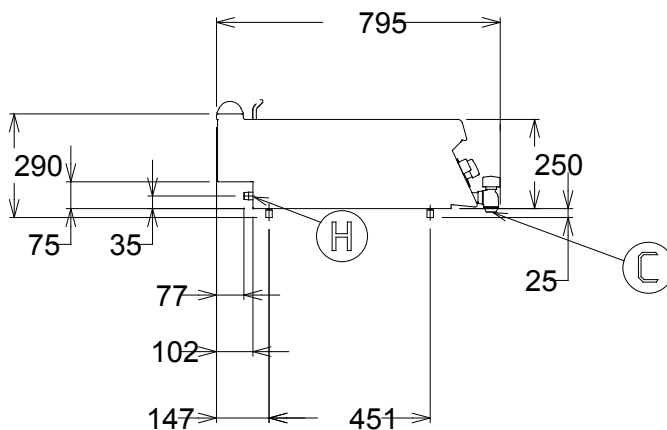
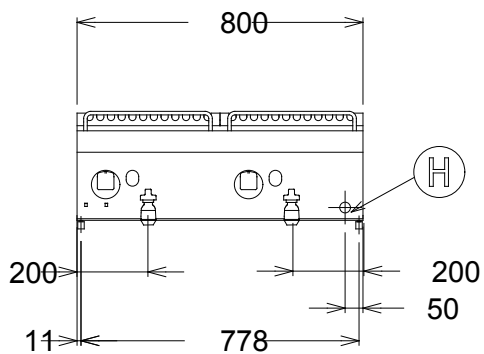
597827600

LEGEND

| | |
|--------------------|--------------------|
| | KFRG481T 178110 |
| H - Gas connection | 1/2" |



www.zanussiprofessional.com



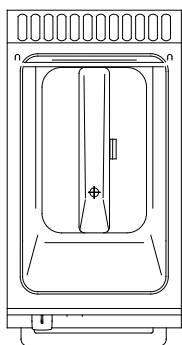
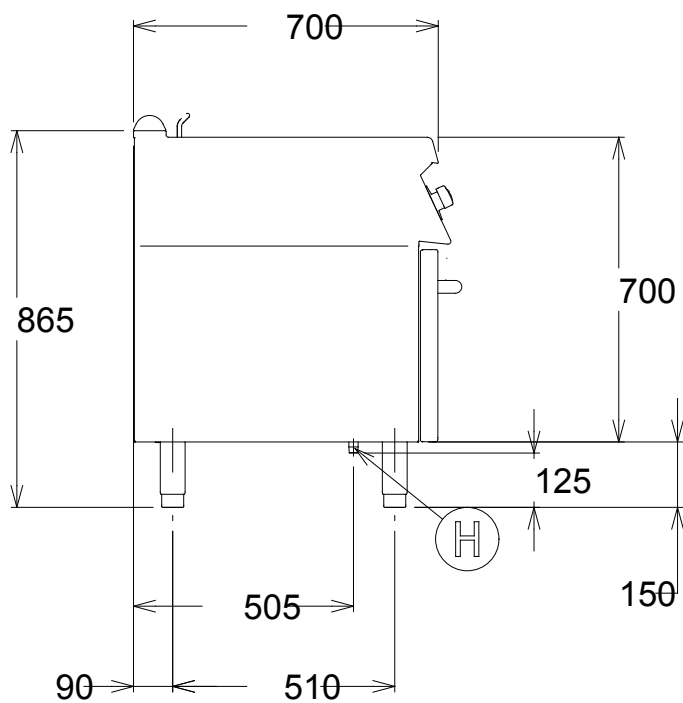
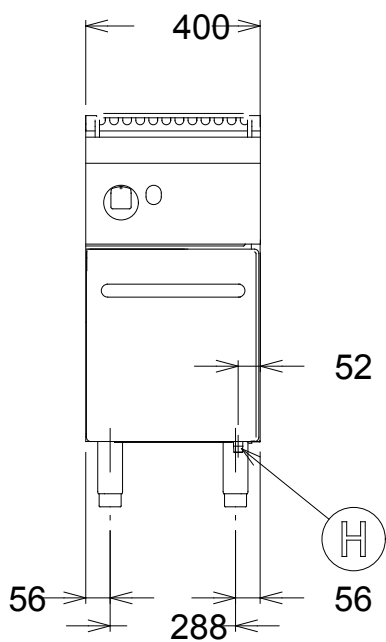
597827700

LEGEND

| | |
|--------------------|--------------------|
| | KFRG831T 178111 |
| H - Gas connection | 1/2" |



www.zanussiprofessional.com



597827800

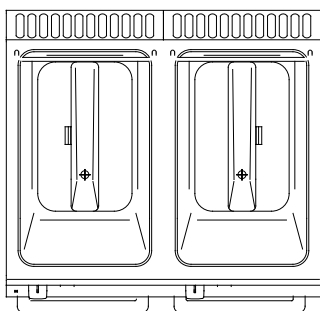
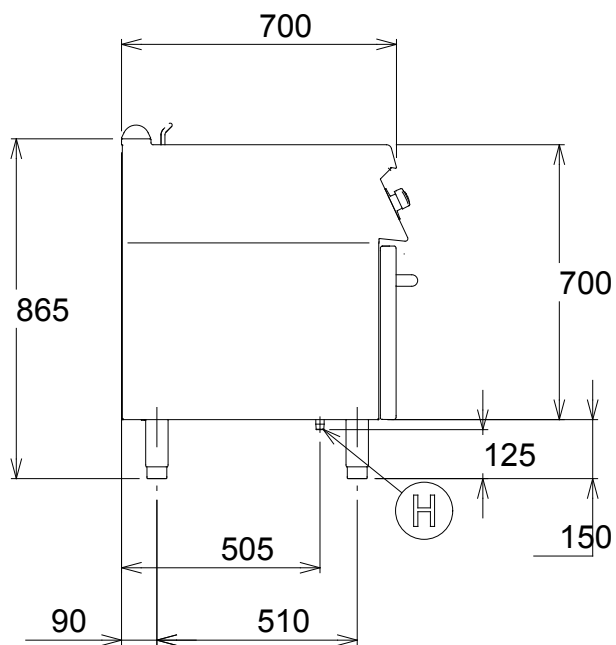
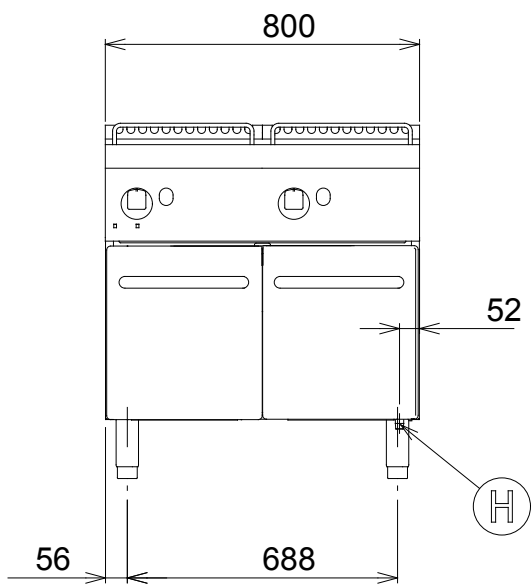
LEGEND

H - Gas connection

KFRG481
178112
1/2"



www.zanussiprofessional.com



597827900

LEGEND

| | |
|--------------------|-------------------|
| | KFRG831 178113 |
| H - Gas connection | 1/2" |



www.zanussiprofessional.com

Free Manuals Download Website

<http://myh66.com>

<http://usermanuals.us>

<http://www.somanuals.com>

<http://www.4manuals.cc>

<http://www.manual-lib.com>

<http://www.404manual.com>

<http://www.luxmanual.com>

<http://aubethermostatmanual.com>

Golf course search by state

<http://golfingnear.com>

Email search by domain

<http://emailbydomain.com>

Auto manuals search

<http://auto.somanuals.com>

TV manuals search

<http://tv.somanuals.com>