

## RANGE COMPOSITION

Zanussi Professional offers a range of ice-making machines specially designed to produce hollow ice cubes. All the models, whilst having a compact size, offer excellent performance and maximum efficiency. The range has been specifically designed for use in bars, restaurants, hotels and discos and can also be used in medical facilities.



730012

# 25/32/45/75 KG

## ICE CUBERS - HOLLOW CUBE **ZANUSSI** PROFESSIONAL

### FUNCTIONAL AND CONSTRUCTION FEATURES

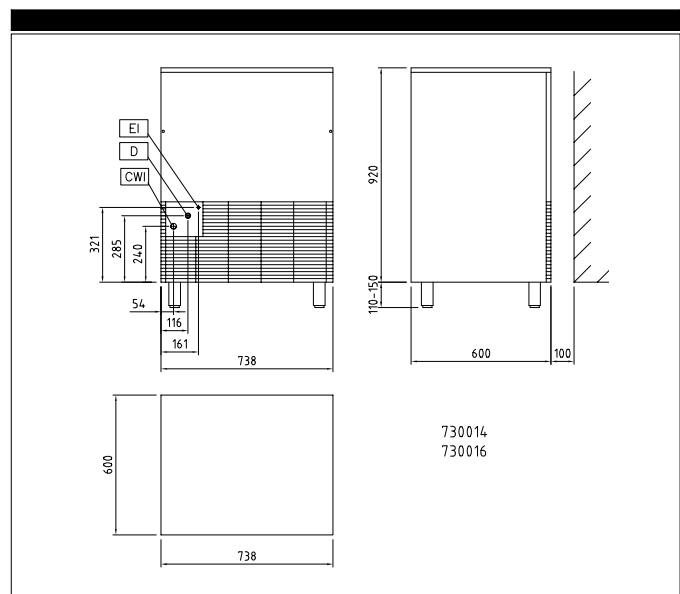
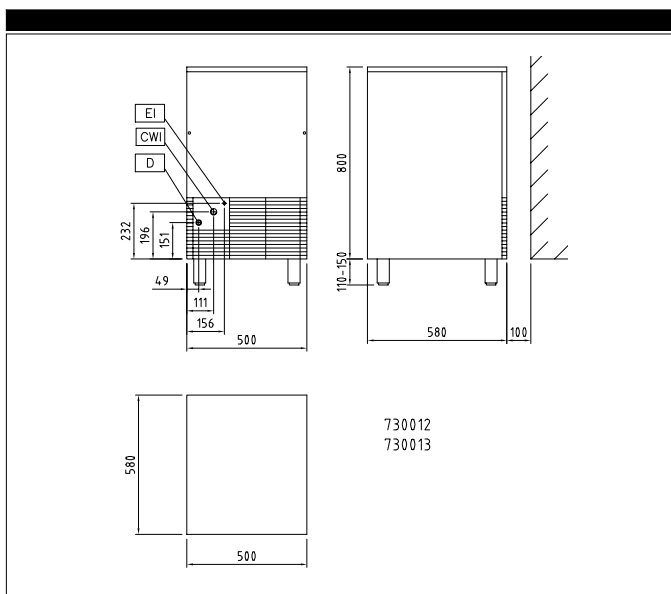
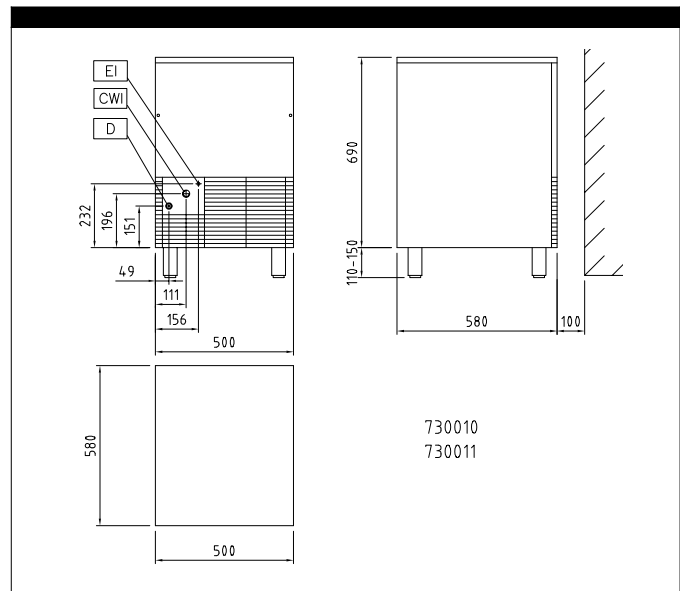
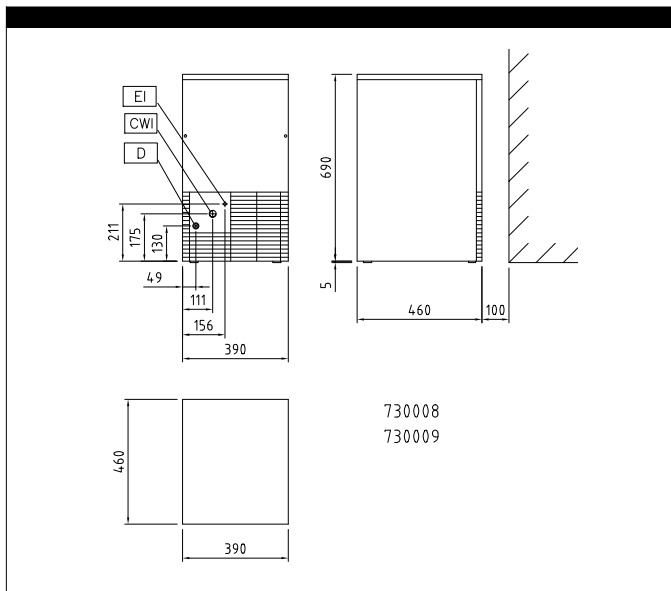
- ◆ All models are available in air-cooled or water-cooled versions\*.
- ◆ The ice-making technology (paddle system) guarantees compact, hygienically pure ice cubes.
- ◆ R404a refrigerant.

- ◆ Reliability is guaranteed by the quality of the construction materials used (plastic flap on the front, top and sides in 304 AISI stainless steel) and the sophisticated product and process technology involved.
- ◆ The compact dimensions of the ice cubers make them highly suitable for any location, particularly those where space is at a premium.

- ◆ The paddle system technology grants optional performance even in case of hard water supply. Ice productivity is not affected by limestone.
- ◆ All models comply with the standards required by the main international approval bodies and are H marked.

\* Water consumption and productivity have been calculated using a water temperature of 15°C and an ambient temperature of 21°C.

CHARACTERISTICS	MODELS							
	IMF28A 730008	IMF28W 730009	IMF35A 730010	IMF35W 730011	IMF58A 730012	IMF58W 730013	IMF80A 730014	IMF80W 730016
Air cooled	●		●		●		●	
Water cooled		●		●		●		●
Output - kg/day	25	25	32	32	45	45	75	75
Bin capacity - Kg	8	8	15	15	20	20	30	30
External dimensions - mm								
width	390	390	500	500	500	500	738	738
depth	460	460	580	580	580	580	600	600
height	690	690	800	800	910	910	1030	1030
Refrigerant type	R404a;	R404a;	R404a;	R404a;	R404a;	R404a;	R404a;	R404a;
Power - kW								
installed-electric	0.31	0.31	0.31	0.31	0.42	0.42	0.48	0.48
Noise level - dBA	48.4	48.4	48.4	48.4	48.4	48.4	49.4	49.4
Net weight - kg.	38	38	47	47	54	54	75	75
Power supply - V, phases, Hz	220/240 V, 1+N, 50	220/240 V, 1+N, 50	220/240 V, 1+N, 50	220/240 V, 1+N, 50	220/240 V, 1N, 50	220/240 V, 1+N, 50	220/240 V, 1+N, 50	220/240 V, 1+N, 50



	IMF28A 730008	IMF28W 730009	IMF35A 730010	IMF35W 730011	IMF58A 730012	IMF58W 730013	IMF80A 730014	IMF80W 730016
CWI - Cold water inlet	3/4"	3/4"	3/4"	3/4"	3/4"	3/4"	3/4"	3/4"
D - Water drain	24mm	24mm	24mm	24mm	24mm	24mm	24mm	24mm
EI - Electrical connection	220/240 V, 1+N, 50	220/240 V, 1+N, 50	220/240 V, 1+N, 50	220/240 V, 1+N, 50	220/240 V, 1N, 50	220/240 V, 1+N, 50	220/240 V, 1+N, 50	220/240 V, 1+N, 50



www.zanussiprofessional.com

## Free Manuals Download Website

<http://myh66.com>

<http://usermanuals.us>

<http://www.somanuals.com>

<http://www.4manuals.cc>

<http://www.manual-lib.com>

<http://www.404manual.com>

<http://www.luxmanual.com>

<http://aubethermostatmanual.com>

Golf course search by state

<http://golfingnear.com>

Email search by domain

<http://emailbydomain.com>

Auto manuals search

<http://auto.somanuals.com>

TV manuals search

<http://tv.somanuals.com>