

RANGE COMPOSITION

Zanussi Professional offers a range of ice-making machines specially designed to produce ice cubes. All the models, whilst having a compact size, offer excellent performance and maximum efficiency. The range has been specifically designed for use in bars, restaurants, hotels and discos and can also be used in medical facilities.



730523

24/28 KG

ICE CUBERS

ZANUSSI PROFESSIONAL

FUNCTIONAL AND CONSTRUCTION FEATURES

- ◆ All models are available in air-cooled or water-cooled versions*.
- ◆ The ice-making method (spray layering) guarantees compact, hygienically pure ice cubes that are resistant to melting.

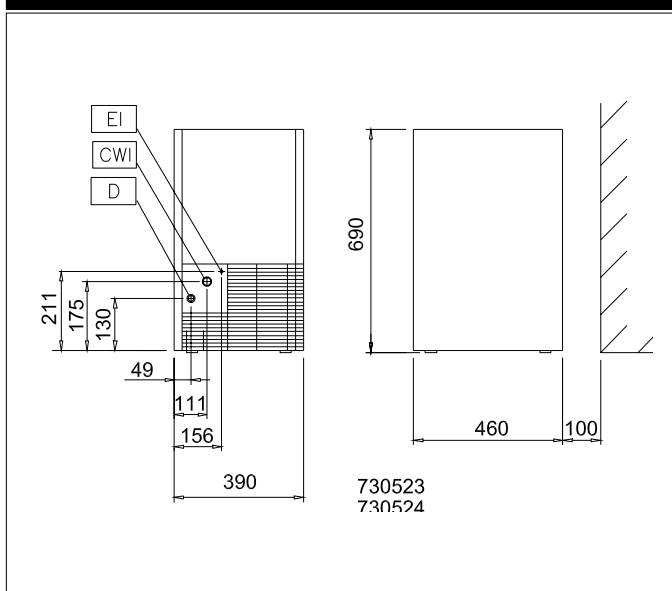
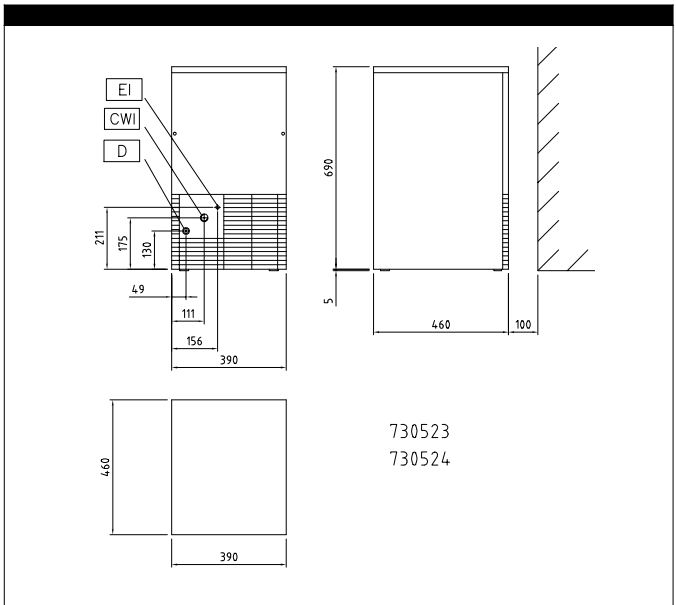
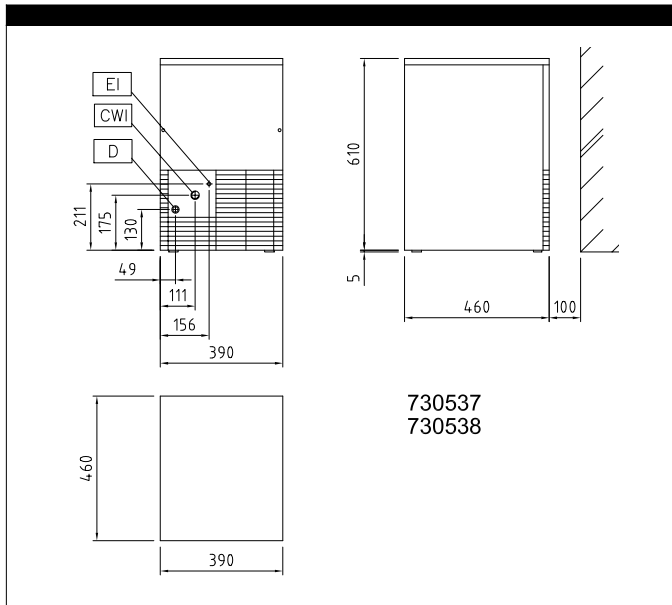
- ◆ R404a refrigerant.
- ◆ Reliability is guaranteed by the quality of the construction materials used (plastic flap on the front, top and sides in stainless steel) and the sophisticated product and process technology involved.
- ◆ The compact dimensions of the ice cubers make them highly suitable for any location, particularly those

where space is at a premium.

- ◆ The metal sprayers are easy to take away, permit a simple flowing and prevent limestone formation.
- ◆ All models comply with the standards required by the main international approval bodies and are H marked.

* Water consumption and productivity have been calculated using a water temperature of 15°C and an ambient temperature of 21°C.

CHARACTERISTICS	MODELS					
	FGC24A 730537	FGC24W 730538	CIM29A 730523	CIM29W 730524	CIM29A3 730561	CIM29W3 730562
Air cooled	●		●		●	
Water cooled		●		●		●
Output - kg/day	24	24	28	28	28	28
Bin capacity - Kg	6	6	9	9	9	9
Kind of cube	A - 18g	A - 18g	A - 18g	A - 18g	C - 33g	C - 33g
External dimensions - mm						
width	390	390	390	390	390	390
depth	460	460	460	460	460	460
height	610	610	690	690	695	695
Refrigerant type	R404a	R404a	R404a	R404a	R404a	R404a
Power - kW						
installed-electric	0.35	0.35	0.37	0.37	0.37	0.37
Noise level - dBA	55.6	55.6	55.6	55.6	55.6	55.6
Net weight - kg.	35	35	37	37	37	37
Power supply - V, phases, Hz	220/240 V, 1N, 50	220/240 V, 1N, 50	220/240 V, 1N, 50	220/240 V, 1N, 50	220/240 V, 1N, 50	220/240 V, 1N, 50



	FGC24A 730537	FGC24W 730538	CIM29A 730523	CIM29W 730524	CIM29A3 730561	CIM29W3 730562
CWI - Cold water inlet			3/4"	3/4"	3/4"	3/4"
D - Water drain			24mm	24mm	24mm	24mm
EI - Electrical connection	220/240 V, 1N, 50	220/240 V, 1N, 50	220/240 V, 1N, 50	220/240 V, 1N, 50	220/240 V, 1N, 50	220/240 V, 1N, 50



www.zanussiprofessional.com

Free Manuals Download Website

<http://myh66.com>

<http://usermanuals.us>

<http://www.somanuals.com>

<http://www.4manuals.cc>

<http://www.manual-lib.com>

<http://www.404manual.com>

<http://www.luxmanual.com>

<http://aubethermostatmanual.com>

Golf course search by state

<http://golfingnear.com>

Email search by domain

<http://emailbydomain.com>

Auto manuals search

<http://auto.somanuals.com>

TV manuals search

<http://tv.somanuals.com>