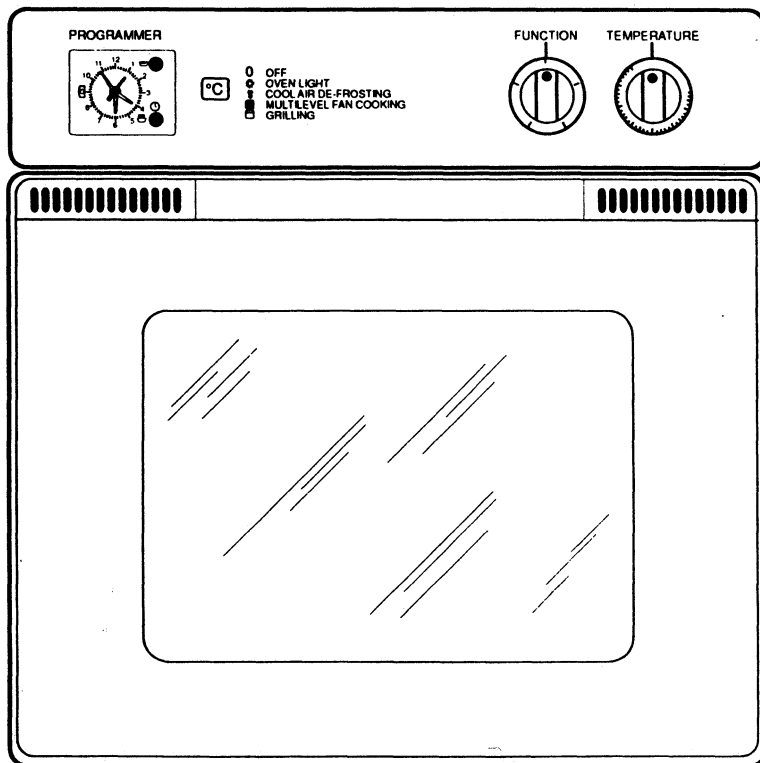


ZANUSSI BUILT - IN OVENS



**Model Nos. FM 9230
FM 5230**

ZANUSSI
The appliance of science

Contents

page 3 -	Warnings - Built-in ovens
page 4 -	When the oven is first installed
page 5 -	Use and care
page 6 -	Using the oven
page 7 -	The analogue programmer
page 10 -	Using the grill
page 11 -	Cleaning the oven
page 14 -	What happens if something goes wrong
page 15 -	Servicing
page 21 -	Peace of mind for twelve months
page 22 -	or five years

Technical data

Model Number: FM 9230 - FM 5230

Recess dimensions	Height	580 mm
	Width	560-570 mm
	Depth	550 mm
	Oven capacity	1.9 cu.ft

Internal oven dimensions	Height	32 cm
	Width	42 cm
	Depth	39 cm

Oven ratings	Oven element	2.5 kW
	Grill element	2.0 kW
	Convection fan	25 W
	Oven lamp	15 W
	Cooling fan	25 W
	Total rating	2.565 kW

Important: The installation of the oven and electricity connection must always be done by competent installers to standards and regulations currently in force.

Warnings - Built-in ovens

It is most important that this instruction book should be retained with the appliance for future reference. Should the appliance be sold or transferred to another owner, or should you move house and leave the appliance, always ensure that the book is supplied with the appliance in order that the new owner can be acquainted with the functioning of the appliance and the relevant warnings.

These warnings are provided in the interest of safety. You must read them carefully before installing or using the appliance.

- This appliance is designed to be operated by adults. Children should not be allowed to tamper with the controls or play with the product.
- Any installation work must be undertaken by a qualified electrician or competent person.
- It is dangerous to alter the specifications or modify the product in any way.
- This appliance should be serviced by an authorised Zanussi Network Service Centre, and only genuine Zanussi spare parts should be used.
- Cookers become very hot with use, and retain their heat for a long period after use. Children should be supervised at all times and should not be allowed to touch the hot surfaces or be in the vicinity when in use or until the appliance has cooled after use.
- Always ensure that the control knobs are in the «off» position when not in use.
- For hygiene and safety reasons, this appliance should be kept clean at all times. A build-up of fats or foodstuffs could result in a fire.
- This appliance has been designed for cooking edible foodstuffs only, and must not be used for any other purposes.
- Never line any part of the oven with aluminium foil.
- Easy clean liners should never be cleaned with any other than soapy water (see cleaning instructions).
- Before any maintenance or cleaning work is carried out on the appliance, always turn off the isolator switch at the cooker point, and allow to cool.
- Ensure that the anti-tip oven shelves are put in place in the correct way (see instructions).
- Under no circumstances should you attempt to repair the appliance yourself. Repairs carried out by inexperienced persons may cause injury or serious malfunctioning. Refer to your local Zanussi Service Centre. Always insist on genuine Zanussi spare parts.

When the oven is first installed

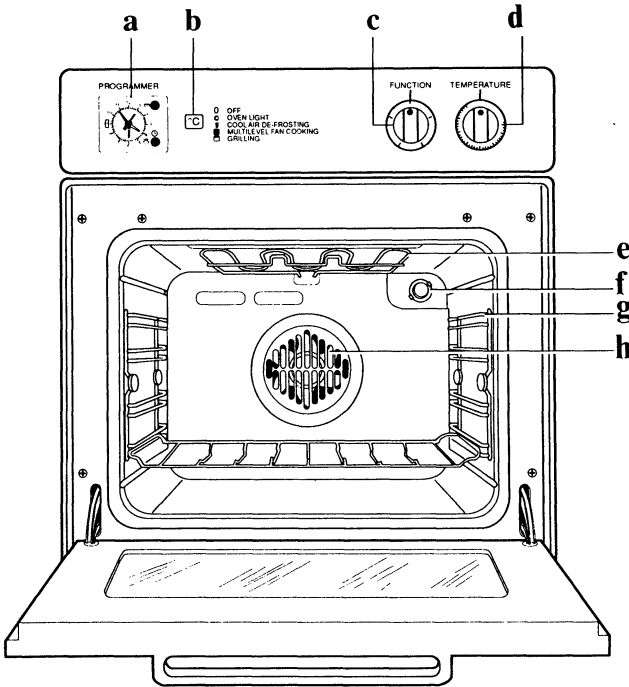
Once the oven is installed it is important to remove the protective materials which were put on in the factory.

Remove from these parts the plastic film, then wipe with a cloth dipped in methylated spirit.

Switch the oven control to **MAX** and leave it to run empty for 30 minutes to burn off any other protective materials.

This will also remove any unpleasant new smells.

Use and care



a - Analogue clock/programmer

b - Oven temperature light

c - Oven control knob

d - Oven/grill temperature control knob

e - Grill

f - Interior light

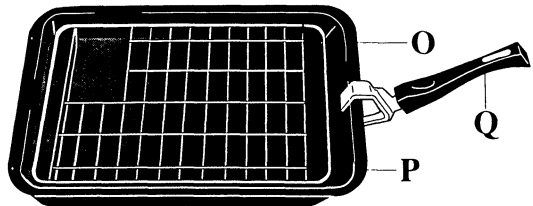
g - Shelf supports

h - Fan

o - Grill/roasting pan

p - Reversible grill trivet

q - Removable handle



Using the oven

This is the Cuisinair system of cooking.

The heat source comes from a circular element surrounding the fan behind the back wall of the oven. The fan, which comes on automatically when the oven is turned on, distributes the warm air all around the oven so that the entire cavity is heated up evenly enabling foods to be cooked in approximately the same time regardless of their position within the oven.

Foods of different types may be cooked together provided they require the same cooking temperature and there is very little flavour transference. The speed of heating up is so fast that it is not necessary to pre-heat the oven.

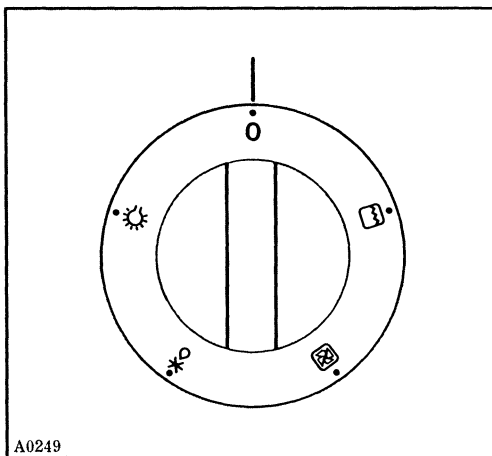
The oven shelves can be filled to capacity but a full oven may take a little longer to cook the food than when cooking single items. Most normal types and materials of cooking utensils can be used. During cooking the door should be opened as little as possible to avoid heat loss and so excessive electricity consumption.

The oven light comes on automatically when the oven is turned on.

Oven control knob (fan ducted fig. 1).

- ☀ Oven light: this will come on automatically whenever the oven is in use (it works as main pilot lamp too).
- * Defrost setting (NB this is NOT a cooking position). This position is intended to assist in thawing of frozen foods.
- ☒ Cuisinair cooking: this fan ducted system will allow you to roast, or bake at the same time with very little flavour transference, and on any shelf.
- ☐ Grill: the grill cannot be used at the same time as the oven. The oven door must be closed when grilling.

Fig. 1



Note

When the control knob (fig. 2) is on position (☼) or (☽) the temperature control knob (fig. 3) should be on the «●» position.

Caution

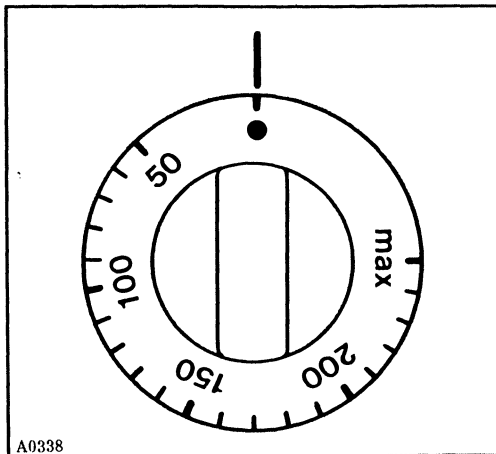
Do not place pans, dripping pans, biscuit pans or aluminium foil on the oven bottom. This could cause a heat build-up which would affect the baking results and damage the oven enamel.

The appliance must never be left unattended whilst grilling.

Thermostat control knob (fig. 2)

By turning the thermostat control knob clockwise you select the cooking temperature. Temperature selection starts at 50°C and is marked in 10°C increments up to maximum, where the temperature at the centre of the oven will reach approximately 250°C; the

Fig. 2



thermostat controlling the temperature is totally variable so it is possible to select temperatures between those marked.

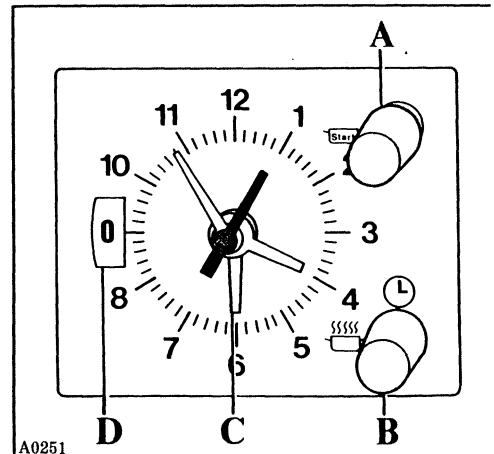
The MAX setting is particularly suitable for grilling. Once the oven temperature has been selected, the temperature light will come on and remain on until the oven has reached the correct setting;

after that it will come on and off with the thermostat showing how the temperature is being maintained.

Analogue programmer (fig. 3)

This programmer enables you to switch the oven on and off at pre-set times without the need for you to be in attendance. The programmer features a clock indicating the hour of the day and a sound signaling device, which indicates the end of a programmed cooking cycle. There is also a minute minder facility.

Fig. 3



Most foods cook well automatically, but preference should be given to those which will not be affected by the waiting period before the oven comes on.

Knob A - START

By depressing and turning this knob the C-hand is set on the cooking start time. (Up to 11 hours 30 minutes in advance).


Knob B -

By turning this knob clockwise or anticlockwise the cooking duration is set on dial D (up to 3 hours).

Setting the clock

To set or adjust the correct time of day pull out knob B, and turn clockwise or anticlockwise. It will be necessary to do this upon installation, after a power failure or when the clock is fast or slow.

Manual operation

To operate the oven manually ie., without programming, turn knob B clockwise until the hand symbol () is centred on dial D.

Ensure that the «C» hand is positioned under the hour hand of the clock, to do this, depress and turn knob A.

Semi-automatic operation

Manual Cooking Start: Automatic Cooking Stop.

Place the food to be cooked into the oven.


Turn knob B clockwise to set on dial D the number of minutes corresponding to the required duration of cooking. Turn the oven control and temperature control knobs to the required positions.

A sound alarm will indicate when the cooking time is over, the oven then switches off automatically. The alarm will sound for a maximum of 10 minutes after which it stops automatically. It is possible to turn off the alarm should you be present, to do so, turn knob B until the «0» symbol is centred on dial D.

Automatic Cooking Start: Manual Cooking Stop.

Place the food to be cooked into the oven.

Depress and turn knob A to set the «C» hand on the required cooking start time. Turn knob B clockwise or anticlockwise to display on dial D the maximum cooking duration time (180 minutes). Turn the oven and thermostat control knobs to the required settings.

When you return to switch off the oven, turn knob B until the «0» symbol is centred on dial D. Continue to turn the same knob until the hand symbol () is displayed. Now return the oven and thermostat control knobs to their off positions.

Totally automatic cooking

This enables you to turn the oven on and off at pre-set times.

Place the food to be cooked in the oven.

Press in and turn knob A so as to set the C-hand to the required cooking start time (the C-hand is integral with the hour hand when the oven is not in the automatic mode).

Turn knob B, setting on dial D the required cooking duration (maximum of 180 minutes).

Turn the oven control and the temperature control knobs to the required positions. A sound alarm will indicate when the cooking is over, and the oven will automatically switch off. To stop the alarm turn knob B clockwise until the «0» symbol appears on dial D.

If the sound alarm is not manually turned off it will switch itself off after 10 minutes.

Minute minder

The programmer will act as a minute minder provided no automatic cooking has been programmed.

To operate the minute minder, turn knob B clockwise and set on dial D the required cooking time (maximum of 180 minutes).

A sound alarm indicates when the time is up. To stop the alarm turn knob B until the «0» symbol is centred on dial D, continue to turn until the hand symbol appears.

Cooling fan

The cooling fan is designed to cool the walls and the components of the oven itself.

The fan switches on automatically when the oven control knob is turned on. Warm air is blown out through the aperture near the oven door handle.

Safety thermostat

Should the main oven thermostat fail the oven is protected by a safety thermostat which will operate if the temperature within the oven reaches too a high level. Once the temperature has returned to a safe level the main oven thermostat will function. In cases where there is a permanent failure it is necessary to contact the Zanussi Network Service engineer.

Using the grill

As with the oven, the grill control can be set to a number of different heat settings. At MAX the thermostat controlling the heat does not operate and the element stays on continuously to give the highest heat possible. Foods to be grilled are placed on the wire trivet in the grill pan, the trivet can be placed either way up to give the required distance from the element. For foods which require slow grilling, the grill pan should be set on a lower shelf position.

Important

Your oven door is fitted with hinges, giving two door positions, fully closed or fully open.

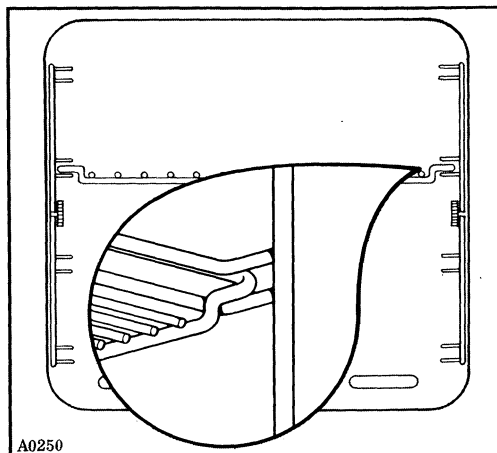
When grilling, the oven door must be closed.

Grilling with the door open could cause areas of the oven and surrounding furniture to become excessively hot; as well as reducing the performance, efficiency and economy of the grill.

Shelves and runners

This oven has four shelf positions. The anti-tip feature is achieved by the closeness of the shelf runners. The auto-stop feature is achieved by two metal stops fixed to the shelves, as the shelf is moved in and out the metal stops catch on the bottom of any pair of shelf runners, if the shelf is wrongly positioned these stops will not catch, therefore it is important to position the shelves as shown (Fig. 4).

Fig. 4



Cleaning the oven

Glass door

This should be cleaned with a soft cloth soaked in warm detergent water. Do not use abrasive scourers or steel wool.

Shelves and shelf supports

To clean the chrome parts of the oven, soak in warm detergent water and remove stubborn marks with a well wetted soap impregnated pad. Rinse well and dry with a soft cloth. Do not use abrasive scourers or steel wool.

Oven cavity

The enamelled oven cavity is best cleaned whilst the oven is still warm. The shelf supports can be removed for a more thorough cleaning of the oven interior (Fig. 5).

To remove the back panel use a screwdriver (Fig.6)

It is preferable/advisable to wipe the oven over with a soft cloth soaked in warm detergent water after each use. However, from time to time it will be necessary to do a more thorough cleaning, using a proprietary oven cleaner. Do not use aerosol oven cleaners, abrasive scourers or steel wool.

Fig. 5

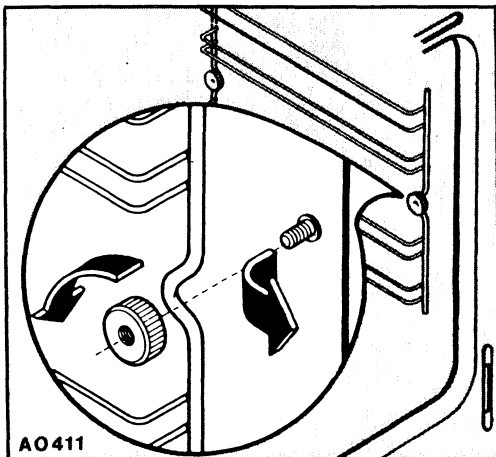
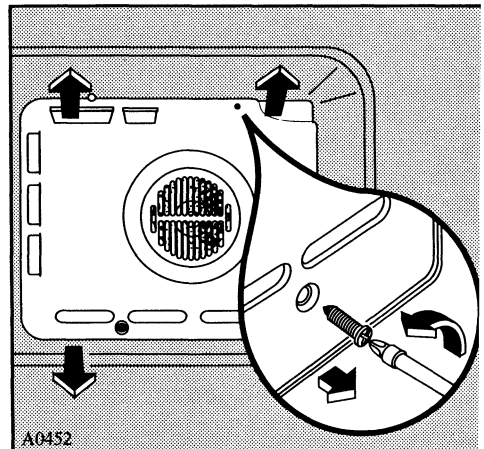


Fig. 6



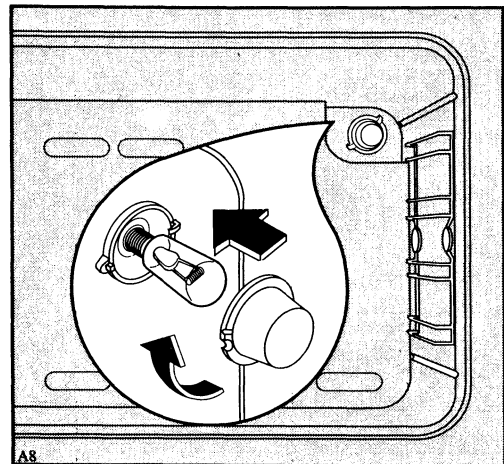
Replacing appliance components

Prior to undertaking any maintenance work or replacing the oven lamp or grill heating element, be sure to disconnect the appliance from the electricity supply.

Oven lamp replacement

Push in and unscrew anticlockwise the glass cap (fig. 7). Remove the faulty bulb and replace with one that resists to high temperatures (300° C). Electric bulb: 15W, 240V, 50 Hz, 300°C, E14. Bulbs are available from your Zanussi Service Network.

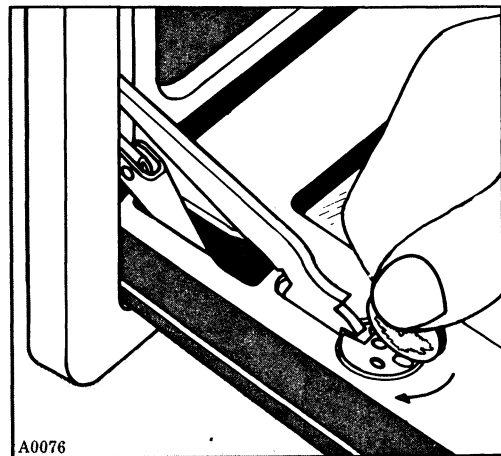
Fig. 7



Removing the oven door

1. Open the oven door so that it is in the horizontal position.
2. With the aid of a coin move the two retaining discs a quarter turn clockwise, so that the two raised bars are to the left hand side of the hinges (Fig. 8).
3. Raise the door halfway (Fig. 9).
4. At this stage the two hinges on either side of the door must be clasped together simultaneously. The door can then be removed by pulling out and downwards, maintaining the angle (Fig. 10).

Fig. 8



To replace the door

1. Clasp the two hinges on either side of the door together simultaneously.
2. Hook the top hinge into the top slot so that the hook is engaged with the roller.
3. Drop the lower hinge into the lower slot, so that the notch is engaged. Drop the door down so it is in the horizontal position.

Note: It is very important when carrying out this operation that both hinges should be located simultaneously.

4. Turn the retaining discs back a quarter turn so that the two raised bars are opposite the hinges.
The door can then be closed.

Fig. 9

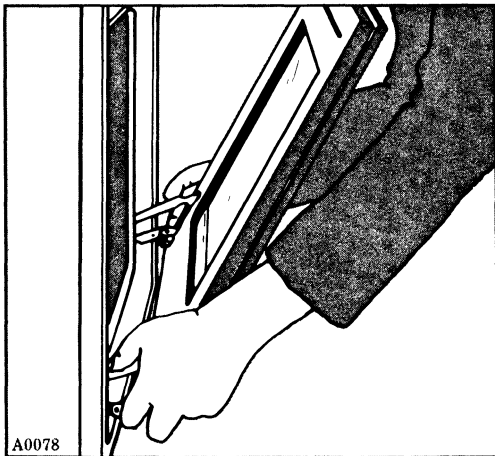
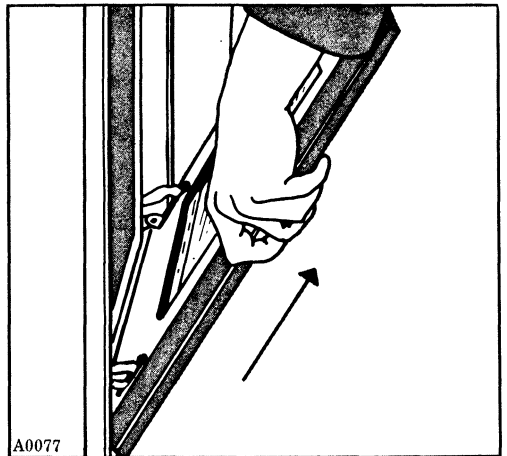



Fig. 10



What happens if something goes wrong

If the oven does not come on when cooking manually, first check that the programmer is set for manual, ie. in the  position.

If this is as it should be and the oven still does not come on:

- a) Check that it is plugged in properly.
- b) Check that the socket switch and/or switch from the supply to the oven are ON.
- c) Replace the fuse in the plug, when present, with another of the appropriate rating and check that this plug has been wired up properly.

d) Check that the socket, when present, is supplying power - do this by plugging in another appliance that is known to be working properly.

e) Check that the fuse in the fuse box is intact.

If, after all these checks, the oven still does not work, send for your local Zanussi Network Service Centre listed in the telephone directory, under «Z».

It helps to jot down the name and address and telephone number in the space below.

Name

Address

Telephone number

IN-GUARANTEE CUSTOMERS SHOULD ENSURE THAT THE ABOVE CHECKS HAVE BEEN MADE AS THE ENGINEER WILL MAKE A CHARGE IF THE FAULT IS NOT A MECHANICAL OR ELECTRICAL BREAKDOWN.

Please note that it will be necessary to provide proof of purchase for any in-guarantee service calls.

How to find the telephone number of your **Zanussi Service Force** listed in this leaflet

Zanussi Service areas are allocated by postcodes which are listed in alphabetical order for easy reference.

1. Look for the two letters of your address postcode in the far left 'Postcode' column.
2. Match up the number of your postcode against the number listed in the 'Postcode Numbers' column.
3. Look across the column to the Service Force Key Number for your area. Turn to the last page of this directory for the address and telephone number to contact for service which is listed against your key number.

If you are unsure of your postcode, the main towns and cities are listed in alphabetical order for easy reference.

Additionally, your local Zanussi Service Force Centre telephone number is listed under 'Z' in your telephone directory.

The Customer Care Department at Zanussi House, Hambridge Road, Newbury, RG14 5EP, Tel: 0635 521313, will be happy to help you with any queries or difficulties.



Post-code Letter	Town	Post-code Number	Service Force Key Number	Post-code Letter	Town	Post-code Number	Service Force Key Number
AB	Aberdeen	1-5	1	DA	Dartford	1-18	14
AL	St Albans	1-10	2	DD	Dundee	1-5, 7-11	31
A	Brecon	45	3	DD		6	32
BA	Bath	1-5, 11-15	4	DE	Derby	1-7, 13-15, 55	33
BA		7-10,20-22	5	DE	Derby	11-12	18
BA		6,16	6	DG	Dumfries	1-7, 10-12	34
BB	Blackburn	1-12	7	DG		13-14	35
BD	Bradford	1-23	8	DG		8-9	36
BD		24	7	DH	Durham	1-9	37
BH	Bournemouth	1-18, 21-25	9	DL	Darlington	1-17	37
BH		19-20	10	DN	Doncaster	1-7, 10-12, 22	33
BL	Bury	0-9	11	DN		14	38
BN	Brighton	1-9, 11-15,	12	DN	Doncaster	8-9, 15-21, 31-40	39
BN		20-27	12				
BN		16-18	13				
BR	Bromley	1-8	14	SUB POSTCODE DIVISION			
BS	Bristol	1-28, 98-99	15	DN	Gainsborough		
BT	Belfast	1-82	16		South	21-1, 21-2, 21-5	40
B	Birmingham	1-21, 25-33,	17	DN	Gainsborough		
B		38, 40, 45, 47-48,	17		North	21-3, 21-4	39
B		60-71, 80, 97-98	17	DT	Dorchester	1-6, 10-11	10
B	Birmingham	23-24, 34-37,	18	DT		6-9	5
B		42-44, 46, 72-	18				
B		79	18	SUB POSTCODE DIVISION			
B	Birmingham	49-50,	19	DT	Bridport East	6-3, 6-4	10
B		96	19	DT	Bridport West	6-5, 6-6	5
B	Birmingham	95	20				
CA	Carlisle	1-16, 18-28	21	DY	Dudley	1-6, 8-9	17
CA		17	7	DY		7, 10-14	41
CB	Cambridge	1-8	22	EC	London	All EC Codes	28
CB		9-11	23	EH	Edinburgh	1-42, 52-54	42
CF	Cardiff	1-8, 31-48	3	EH		43-46	35
CH	Chester	1-4	24	EH	Edinburgh	47-49, 51, 55	43
CH		5-7	25	EN	Enfield	1-11	28
CH		8	26	EX	Exeter	1-17, 20	45
CM	Chelmsford	0-6, 8-9, 11-15	27	EX		18-23, 31-39	46
CM		7	23	E	London	All East Codes	28
CM	Chelmsford	16-24	28	FK	Falkirk	1-4	43
CO	Colchester	1-16	23	FK		10-14, 18-19	32
CR	Croyden	0, 2-4, 9	29	FK	Falkirk	5-9, 15-17	47
CT	Canterbury	1-21	14	FK		20-21	31
CV	Coventry	1-8, 10-12, 21-23,	20	FY	Fleetwood	0-8	7
CV		9, 13	18	GCI	Guernsey		48
CV	Coventry	31-35, 37	20	GL	Gloucester	1-8, 10-19,	49
CV		36	19	GL		50-56	49
CW	Crewe	1-12	30	GL		9	15
				GL		20	19

Post-code Letter	Town	Post-code Number	Service Force Key Number	Post-code Letter	Town	Post-code Number	Service Force Key Number
GU	Guildford	1-24, 26, 34-35	50	LL		33-34, 41, 48-49,	26
GU		25	51	LL		51, 78	26
GU	Guildford	27-33	13	LN	Lincoln	1-6, 8-10	40
G	Glasgow	1-5, 11-15, 20-23,	47	LN		7, 11-13	39
G		31-34, 40-46, 51-	47				
G	Glasgow	53, 58, 60-69, 73,	47	SUB POSTCODE DIVISION			
G		76-78, 81-84	47	LN	Lincoln	3-4, 3-5	40
G	Glasgow	71-72, 74-75	43	LN		3-6	39
HA	Harrow	0-9	52				
HD	Huddersfield	1-8	8	LS	Leeds	1-29	8
HG	Harrogate	1-5	8	LU	Luton	1-6	2
HP	Hemel	1-3	2	LU		7	22
HP	Hempstead	4-23	53	L	Liverpool	1-49, 60-70	24
HR	Hereford	1-2, 4, 6-9	49	ME	Medway	1-20, 99	14
HR		3, 5	54	MK	Milton Keynes	1-17, 19, 40-46	22
HU	Hull	1-20, 55	38	MK		18	65
HX	Halifax	1-7	8	ML	Motherwell	1-12	43
IG	Ilford	1-11	28	M	Manchester	1-35, 60	11
IOM	Isle of Man		55	NE	Newcastle -on-		
IP	Ipswich	1-15, 30-31	56		Tyne	1-49, 61-70, 88	66
IP		16-27	57	NE		98-99	66
IP	Ipswich	28-29, 32-33	22	NE		71	35
IV	Inverness	1-24, 26, 30-36,	58	NG	Nottingham	1-23, 25	33
IV		40-49, 51-56	58	NG		24	40
IV	Inverness	25, 27-28	59	NG	Nottingham	31-34	64
JCI	Jersey		60	NN	Northampton	1-7, 11-12	67
KA	Kilmarnock	1-26, 28-30	43	NN		8-10, 14-18	22
KA		27	61	NN	Northampton	13	65
KT	Kingston-on-			NP	Newport	1-9, 44	3
	Thames	1-23	51	NR	Norwich	1-35	57
KT		24	50	NW	London	All NW Codes	52
KW	Wick	1-14	59	N	London	All N Codes	28
KW		15-17	62	OL	Oldham	1-12, 15-16	11
KY	Kirkcaldy	1-16	32	OL		13-14	7
LA	Lancaster	1-23	7	OX	Oxford	1-17	65
LD	Llandrindod	1-8	54	PA	Paisley	1-4	47
LD		3	3	PA		5-19	43
LE	Leicester	1-5, 7-8, 11-14,	63	PA	Paisley	20-27, 33, 35, 40-	68
LE		16-17	63	PA		49	68
LE	Leicester	6, 9-10	20	PA		28-31	69
LE		15	64	PA	Paisley	32, 34, 36-39, 61	70
LL	Llandudno	11-15	25	PA		62-78	68
LL		16-19	26	PA	Paisley	80-82, 88	71
LL	Llandudno	20-21, 23, 27, 31-	25	PA		83-87	72
LL		32, 34-40, 42-47	25	PE	Peterborough	1-15, 34, 38	64
LL	Llandudno	22, 24-26, 28-30,	26	PE		16-19	22

Post-code Letter	Town	Post-code Number	Service Force Key Number	Post-code Letter	Town	Post-code Number	Service Force Key Number
PE	Peterborough	20-25	40	SW	London	All SW Codes	52
PE		30-33, 35-37	57			Except 2,9,16	
PH	Perth	1-2, 8-9, 10-18	31	SW	London	2, 9, 16	29
PH		3-7	32	SY	Shrewsbury	1-6, 9-17, 18-22	25
PH	Perth	19-26, 30-44	58	SY		7, 17-19	54
PL	Plymouth	1-21	73	SY	Shrewsbury	8	41
PL		22-35	74	SY		23-25	77
PO	Portsmouth	1-22	13	S	Sheffield	1-19, 30-31, 40-45	33
PO		30-41	75	S		60-66, 74, 80-81	33
PR	Preston	1-9	7	S	Sheffield	70-73, 75	8
RG	Reading	1-17, 26	53	TA	Taunton	1-11, 21-24	6
RG		21-25, 27	50	TA		12-20	5
RG	Reading	28	4	TD	Selkirk	1-15	35
RH	Redhill	1-3, 6-7, 9-20	12	TF	Telford	1-8, 10-13	41
RH		4-5	50	TF		9	30
RH	Redhill	8	29	TN	Tonbridge	1-2, 4, 8-18, 23-30	14
RM	Romford	1-5, 7, 10-18	27	TN		3, 5-7, 19-22, 31-40	12
RM		6, 8-9	28	TQ	Torquay	1-6, 9, 12-13	78
SA	Swansea	1-20, 31-32	3	TQ		7-8	73
SA		33, 39, 41-44, 61-73	76	TQ		14	45
SA	Swansea	40, 45-48	77	TR	Truro	1-27	74
SE	London	All SE Codes	29	TS	Stockton-on-		
SG	Stevenage	1-9, 11,15	2		Tees	1-29	37
SG		10, 12-14	28	TW	Twickenham	1-20	51
SG	Stevenage	16-19	22	UB	Uxbridge	1-10	52
SK	Stockport	1-3, 6-12	30	WA	Warrington	1-5, 8-9, 10-15	11
SK		4-5, 13-16	11	WA		6-7	24
SK	Stockport	17	33	WA	Warrington	16	30
SL	Slough	1-10	53	WC	London	All WC Codes	52
SM	Sutton	1-3, 7	51	WD	Watford	1-2, 4-7	2
SM		4-6	29	WD		3	53
SN	Swindon	1-8, 11-16	65	WF	Wakefield	1-17	8
SN		9-10	4	WN	Wigan	1-5, 7	11
SO	Southampton	1, 4, 41 -43, 51	9	WN		6,8	24
SO		2-3, 5, 21-24, 52	13	WR	Worcester	1-14	19
SO	Southampton	20	4	WR		15	41
SP	Salisbury	1-5, 9-11	4	WS	Walsall	1-15	18
SP		6	9	WV	Wolverhampton	1-4, 10-14	18
SP	Salisbury	7-8	10	WV		5-9, 15-16	41
SR	Sunderland	1-7, 9	66	W	London	All West Codes	52
SR		8	37	YO	York	1-3, 5, 7-8	8
SS	Southend-on-			YO		4, 6, 11-18, 25	38
	Sea	0-9, 11-17 ,99	27	YO	York	21-22	37
ST	Stoke-on-			ZE	Lerwick	1, 3	79
	Trent	1-18, 20-21	30	ZE		2	80
ST		19	18				

Service Force Key Number	Service Force Address	Telephone Number	Service Force Key Number	Service Force Address	Telephone Number
1	60 Commerce Street, Aberdeen, AB2 1BP	0224 583949 or Tel: 0224 582704	21	High Ehenside, Egremont, Cumbria, CA22	0946 820509
2	Unit 4, Riverside Est, Coldharbour Ln, Harpenden	0582 461909	22	1 Wharf Road, Higham Ferrers, Northants	0933 317727
3	3 Pentwyn Road, Blackwood, Gwent, Sth Wales	0495 223151	23	Unit 18, Fourth Ave, Bluebridge Ind. Est, Halstead, Essex	0787 473982
4	31 St Andrews Road, Bemerton, Salisbury, SP2	0722 336072	24	Unit 14, Dock Road, Birkenhead, L41 1JJ	051 639 1287
5	31 East Street, Crewkerne, Somerset, TA18	0460 72740	25	Plas Fynnon W/house, Middleton Rd, Oswestry	0691 652917
6	80 Killigrew Street, Falmouth, Cornwall, TR11	0984 31858	26	Easy Launderette, Panton Hall, Denbigh, Clwyd	074 581 3272
7	333 Ranglest Road, Walton Summit, Preston, PR5	0772 321200	27	19 Sirdar Rd, Off Brook Rd, Rayleigh, Essex	0268 741171
8	57 Ingram Road, Holbeck, Leeds, Yorks,	0532 460992	28	284 Alma Road, Enfield, EN3	081 805 6825
9	63 Curzon Road, Bournemouth, BH1 4PW	0202 303363	29	194 Court Road, Eltham, London, SE9 4EN	081 859 3939
11	Unit 41/42 Clarendon Ct, Winwick Quay, W'ton	0925 50822	30	Unit 8, Croft Road, Newcastle under Lyme, Staffs, ST5 OTW	0782 713003
12	Unit 3, 21/25 Bridge Road, Haywards Heath, RH1	0444 417656	31	3-7 Blackness Street, Dundee, Scotland, DD1	0382 642828 or Tel: 0382 455862 or Tel: 0382 826809
13	266 Main Road, Southbourne, Emsworth, PO10	0243 374814 or Tel: 0243 371170	32	33a Burnside, Auchtermuchty, Fife, Scotland	0337 28807
14	Bridgewood Hse, 8 Laker Road, Rochester, ME1	0634 201441 or Tel: 0689 61444	33	Unit 63, Storforth Ln Trad. Est. Chesterfield	0246 231790
15	Unit 1, Albert Crescent, Bristol, BS2 OYH	0272 713217	34	93 Irish Street, Dumfries, Scotland	0387 69694
16	Owenmore Hse, Kilwee Ind. Est., Upper Dunmurry Lane, Belfast	0232 301121	35	2-8 Wood Market, Kelso, Borders, TD5 7AX	0573 24411
17	66 Birch Rd East, Wyreley Rd Ind. Est, B'ham	021 327 1671	36	27 Antrim Ave, Stranraer, Dumfries & Galloway	0776 3277
18	Unit 3 Sterling Park, Claymore, Tamworth	0827 289800 or Tel: 0827 289822	37	8 Cumbie Way, Aycliffe Ind. Est. Newton Aycliffe	0325 300606
19	22 Newton Road, Malvern, Worcester, WR141NZ	0684 572915	38	Unit 1, Boulevard Unit Fact. Est. Hull, HU3 4AY	0482 223335
20	Unit 23/24, Alliance Business PK, Townsend Drv, Nuneaton, CV11	0203 350666	39	Unit 2, Cromwell Road, Grimsby, DN31 2BN	0472 358760
			40	Unit 14 Stonefield Park. Clifton Street, Lincoln	0522 532330

Service Force Key Number	Service Force Address	Telephone Number	Service Force Key Number	Service Force Address	Telephone Number
41	1 Underhill Street, Bridgnorth, Salop, WV16	0746 763322	61	Bruach, Blackwaterfoot, Isle of Arran	077 086 246
42	38 Buccleuch Street, Dalkeith, Midlothian, EH22	031 663 7758	62	Hatson Ind. Estate, Kirkwall, Orkney	0856 5457
43	Block 2 Unit 5, Auchentraith Ind. Est. Rosendale Way, Blantyre	0698 828145	63	30a Scotland Road, Market Harborough, LE16	0858 33229
44	4 Royal Lane, Yiewsley, W-Drayton, UB7	0895 441917	64	Pinfold Rd, Manning Rd Ind. Est. Bourne, Lincs	0778 422147
45	91 Exeter Road, Exmouth, Devon, EX8 1QD	0395 263531	65	Unit E19, Telford Rd, Launton Ind. Est. Bicester	0869 248598
46	3 Bear St, Barnstaple, North Devon, EX32	0271 71774	66	Unit C1, Bergen Cl, Tyne Tunnel Trad. Estate, North Shields, Tyne & Wear	091 2960166
47	Unit E6C Annesland Ind. Est. Netherton Rd, Glasgow, Scotland	041 954 5304 or Tel: 041 954 5349	67	53 Sandringham Road, Northampton, NN1	0604 37061
48	Blencathra, Saumarez Lane, Castel, Guernsey	0481 56854	68	96 Argyll Street, Dunoon, Argyll, PA23 7NE	0369 2147
49	134 Eastgate Street, Gloucester, GL1 1QT	0452 422488	69	43 Crosshill Avenue, Cameltown, Argyll	0586 52008
50	Unit 1 Redfields Ind. Pk, Church Crookham, Fleet	0252 851414	70	Moss Field Workshop, Moss Field Drive, Oban	0631 664530
51	127 Walton Road, Molesey, Surrey, KT8 ODT	081 9796366 or Tel: 081 9797952	71	2 Killweivagh, Gregory, Benbecula, Outer Hebrides	0870 2331
52	Unit 4, Riverside Est, Coldharbour Ln, Harpenden	0582 461909	72	Churchouse, 16 James St, Stornaway, Isle of Lewis	0851 5555
53	Reform Road, Maidenhead, Berkshire	0628 783711	73	5-7 Brunswick Road, Cattedown, Plymouth, PL4	0752 222540
54	Merion House, High Street, Llandrindod Wells	0597 824842	74	80 Killigrew Street, Falmouth, Cornwall, TR11	0326 314600
55	Tromode Wks, Cronkbourne Vill, Douglas, I.O.M.	0624 76066	75	109-111 Hunnyhill, Newport, Isle of Wight	0983 523062
56	Unit 2b, Elton Park Business Centre, Hadleigh Rd, Ipswich, IP2 0DQ	0473 211713	76	Roch, Haverfordwest, Dyfed	0437 710366
57	75 Grove Road, Norwich, NR1 3RL	0603 629653	77	4 Market Street, Aberaeron, W. Wales, SA46	0545 570254
58	Unit 3B3, Smithton Ind. Est. Smithton, Inverness	0463 791822	78	250-252 Torquay Road, Preston, Paignton	0803 529969
59	Main Street, Golspie, Sutherland, KW10 6RA	040 833517	79	3-4 Carlton Place, Lerwick, Shetland, ZE1	0595 2915
60	P.O.Box 45, Queens Road, St Helier, Jersey	0534 67001	80	Harlsdale, Symbister, Whalasa, Shetland	08066 546

PEACE OF MIND FOR TWELVE MONTHS

Zanussi guarantee conditions

This guarantee is in addition to your statutory and other legal rights which will not be excluded or in any way diminished by the return of this guarantee card.

We, Zanussi Ltd., undertake that if, within twelve months of the date of the purchase, this ZANUSSI appliance or any part thereof is proved to be defective by reason only of faulty workmanship or materials, we will, at our option, repair or replace the same **FREE OF ANY CHARGE** for labour, materials or carriage on condition that:

- * The appliance has been correctly installed and used only on the electricity supply stated on the rating plate.
- * The appliance has been used for normal domestic purposes only, and in accordance with the manufacturer's operating and maintenance instructions.
- * The appliance has not been serviced, maintained, repaired, taken apart or tampered with by any person not authorised by us.
- * The appliance is still in the possession of the original purchaser.

All service work under this guarantee must be undertaken by a Zanussi Service Force Centre.

Home visits are made between 8.30 am and 5.30 pm Monday to Friday. Visits may be available outside these hours in which case a premium will be charged.

Any appliance or defective part replaced shall become our property.

Exclusions

This guarantee does not cover:

- * Damage or calls resulting from transportation, improper use or neglect, the replacement of any light bulbs or removable parts of glass or plastic.
- * Costs incurred for calls to put right machines improperly installed or calls to machines outside the UK and the Republic of Ireland.
- * Appliances found to be in use within a commercial or similar environment, plus those which are the subject to rental agreements.
- * Products of Zanussi manufacture which are NOT marketed by Zanussi Ltd.
- * EEC Countries - The standard guarantee is applicable but subject to the owner's responsibility and cost to ensure the appliance meets the standards set by the country to which the product is taken. The Zanussi company in the country concerned will be pleased to advise further. Sight of your purchase receipt will be required by them.

... OR FIVE YEARS

Zanussi 5 years cover conditions

For a once-only payment you can extend your Standard Guarantee to 5 years. All the conditions and exclusions of the Standard Guarantee apply.

Notes

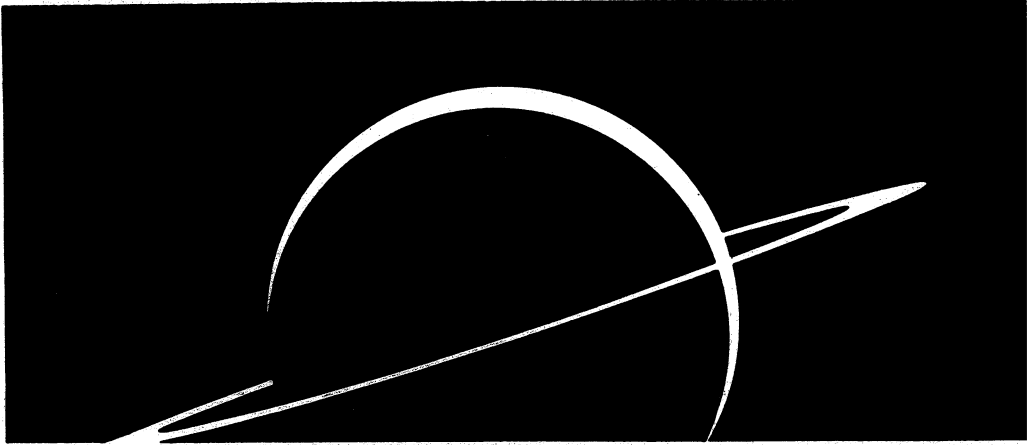
1. Products supplied as “seconds”, refurbished, damaged, or shop-soiled are not eligible for Zanussi 5 Year Cover.
2. The issue of a cover does NOT by virtue of our having done so, nullify the exclusions.
3. The Engineer will need to check the details of your Certificate and may make a charge for his services if it is not presented to him at the time of his call.
4. The date of purchase, or the date of initial payment (deposit) of the appliance will be deemed the date of commencement of cover.
5. Covers issued are not refundable or transferable.

Guarantee record

Appliance purchased from..... on.....

Guarantee card no..... Model no.....

Serial no..... (These details may be taken from your Guarantee Record Card)



ZANUSSI

The appliance of science

Zanussi Ltd., Zanussi House, Newbury

**The information in this manual is correct at time of going to press.
Zanussi reserve the right to alter specifications without notice.**

Free Manuals Download Website

<http://myh66.com>

<http://usermanuals.us>

<http://www.somanuals.com>

<http://www.4manuals.cc>

<http://www.manual-lib.com>

<http://www.404manual.com>

<http://www.luxmanual.com>

<http://aubethermostatmanual.com>

Golf course search by state

<http://golfingnear.com>

Email search by domain

<http://emailbydomain.com>

Auto manuals search

<http://auto.somanuals.com>

TV manuals search

<http://tv.somanuals.com>