

# ZANUSSI

## BUILT-IN ELECTRIC DOUBLE OVEN

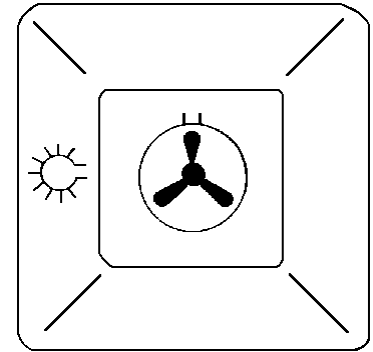
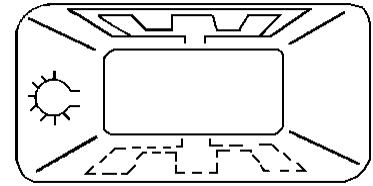
### ZDF867

#### INSTRUCTION BOOKLET

## TECHNICAL DETAILS

### MODEL NO. ZDF 867

Voltage:	230-240 Volts AC 50Hz
Wattage:	4.5-4.9kW
Height:	897mm
Width:	592mm
Depth:	563mm (excluding handles and knobs)
Weight	53kg



**CE** This appliance complies with: European Council Directive 73/23/EEC.  
EMC Directive 89/336/EEC.  
CE Marking Directive 93/68/EEC.

# CONTENTS

<b>Technical Details</b> .....	2
<b>Contents</b> .....	3
<b>Safety</b> .....	5
Before Installation .....	5
During Operation .....	5
After Use .....	6
General .....	6
<b>Installation Instructions</b> .....	7
Things You Need to Know .....	7
Warnings .....	7
Things to Note .....	7
<b>Getting Things Ready</b> .....	7
Choice of Electrical Connection .....	7
Preparing Cabinet for Fitting Oven .....	7
Recommended Cabinet Dimensions .....	8
How to Finish Unpacking .....	9
Tools Required .....	9
<b>Making the Electrical Connections</b> .....	9
Preparing Cable .....	9
To Remove Cover of Mains Terminal .....	9
Connecting to the Mains Terminal .....	10
Connecting to a Hob or Cooker Point .....	10
Checking Electrical Connections .....	10
<b>Fitting Into The Cabinet</b> .....	11
<b>Introduction</b> .....	12
Getting to Know Your Oven .....	12
Rating Plate .....	13
General Notes on Using the Ovens .....	13
About Condensation and Steam .....	13
Cookware .....	13
The Cooling Fan for the Controls .....	13
Control Panel Indicator Neons .....	13
Grill and Oven Furniture .....	14
<b>The Oven Timer</b> .....	15
<b>The Grill</b> .....	20
Uses of the Grill .....	20
Selecting the Grill .....	20
Things to Note .....	20
The Grill Pan and Handle .....	20
Hints and Tips .....	21
Grilling Chart .....	21

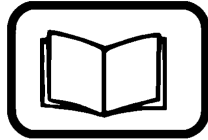
# CONTENTS

<b>The Top Oven</b> .....	22
Uses of the Top Oven .....	22
Selecting the Top Oven.....	22
Things to Note .....	23
To Fit the Top Oven Shelf .....	23
Hints and Tips .....	23
<b>The Main Fan Oven</b> .....	24
Uses of the Fan Oven .....	24
Selecting the Fan Oven.....	24
Things to Note .....	24
To Fit the Top Oven Shelf .....	24
Hints and Tips .....	25
<b>Oven Cooking Chart</b> .....	26
<b>Roasting Chart</b> .....	27
<b>Defrost Feature</b> .....	28
Uses of Defrost Feature .....	28
Selecting Defrost.....	28
Things to Note .....	28
Hints and Tips .....	28
<b>Helpful Hints when Buying and Preparing Food</b> .....	29
<b>Care and Cleaning</b> .....	30
Cleaning Materials .....	30
Cleaning the Outside of the Appliance .....	30
Cleaning Inside the Main Oven .....	30
Cleaning Inside the Top Oven/Grill Compartment .....	30
Cleaning the Shelves, Wirework Runners and Grill/Oven Furniture .....	30
To Remove the Wirework Runners .....	30
Cleaning Between the Outer and Inner Door Glass.....	31
Hints and Tips .....	32
Replacing the Oven Light Bulb .....	32
<b>Something Not Working?</b> .....	33
<b>Service and Spare Parts</b> .....	34
<b>Guarantee Conditions</b> .....	35

## SAFETY

THESE WARNINGS ARE PROVIDED IN THE INTERESTS OF YOUR SAFETY. ENSURE THAT YOU UNDERSTAND THEM ALL BEFORE INSTALLING OR USING THE APPLIANCE.

PLEASE  
READ  
CAREFULLY



### BEFORE INSTALLATION



This appliance is heavy and care **must** be taken when moving it.



Ensure that all packaging, both inside and outside the appliance, has been removed before the appliance is used.



Do not try to *lift* or move the appliance by pulling the door handles. Refer to installation instructions.



The electrical installation work **must** be undertaken by a qualified electrician/competent person.

It is **dangerous** to alter or modify the specifications of the appliance in any way.



Do not allow young children to play with any part of the packaging.



After installation, please dispose of the packaging with due regard to safety and the environment, your local authority can arrange this.

### DURING OPERATION



Do not use this appliance if it is in contact with water. **Never** operate it with wet hands.



This appliance is designed to be operated by adults. Young children **must not** be allowed to tamper with the appliance or play with the controls.

During use the appliance becomes **Hot**. Care should be taken to avoid touching the heating elements inside the oven.

**CAUTION: Accessible parts may be hot when the grill is in use. Young children should be kept away.**



Take **great care** when heating fats and oils, as they will ignite if they become too hot.

This appliance has been designed for cooking edible foodstuffs only, and **must not** be used for any other purposes.



**Never** place plastic or any other material which may melt in the oven or on the hob.



**Ensure** cooking utensils are large enough to contain foods to prevent spillages and boil overs.



**Take care** to follow the recommendations given for tending the food when grilling.



**Always** use oven gloves to remove and replace food in the oven. Accessible parts around the oven vents will become hot when the oven is in use.



**Ensure** that you support the grill pan when it is in the withdrawn or partially withdrawn position.

**Ensure** that all vents are left unobstructed to ensure ventilation of the oven cavity.



You must ensure that the grill control is in the 'OFF' position when the timer control has been set for automatic cooking.

**Ensure** the anti-tilt shelves are put in place correctly. Refer to instructions on pages 23 and 24.



**Never** line any part of the appliance with foil. **Do not** allow heatproof cooking material, e.g. roasting bags, to come into contact with oven elements.



**Always** stand back from the appliance when opening the oven door to allow any build up of steam or heat to release.



Stand clear when opening the drop down oven door. **Do not** allow it to fall open – support it using the door handle, until it is fully open.



**Never leave the appliance unattended when the oven doors are open.**



**Do not** place sealed cans or aerosols inside the oven. They may explode if they are heated.

## AFTER USE



Ensure that all control knobs are in the OFF position when not in use.



For hygiene and safety reasons this appliance should be kept clean at all times. A build-up of fats or other foodstuffs could result in a fire, especially in the grill pan.



**Do not** leave utensils containing foodstuffs, e.g. fat or oil in or on the appliance in case it is inadvertently switched on.



Cookers and hobs become **very hot**, and retain their heat for a long period of time after use. Children should be kept well away from the appliance until it has cooled.

## GENERAL

**Under no circumstances** should any repairs be carried out by an inexperienced person as this may cause injury or serious malfunction.



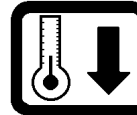
This appliance should be serviced by an authorised service Engineer and only genuine-approved spare parts should be used. Details of repair and servicing arrangements are supplied on page 34 of this book.



**Do not** stand on the appliance or on the open oven door.



**Do not** hang towels, dishcloths or clothes from the appliance or its handle. They are a safety hazard.



**Always** allow the cooling fan to cool the appliance down before switching off at the wall prior to carrying out any cleaning or maintenance work.



Only clean this appliance in accordance with the instructions given in this book.

**Your safety is of paramount importance.**

**Therefore, if you are unsure about any of the meanings of these WARNINGS contact the:**

**Customer Care Department  
Telephone 0870 5 727727**

# INSTALLATION INSTRUCTIONS

## THINGS YOU NEED TO KNOW

### WARNINGS

- This appliance must be installed by a qualified electrician/competent person. Safety may be impaired if installation is not carried out in accordance with these instructions.
- This appliance must be earthed.
- **Do not** remove the screws from the earth tab extending from the oven mains terminal block (Fig. 6).
- Before connecting the appliance make sure that the voltage of your electricity supply is the same as that indicated on the rating plate. This is situated on the lower front frame of the appliance and can be seen upon opening the top cavity door. Alternatively the rating plate may also be found on the back or top of some models (where applicable).
- **Do not** alter the electrical circuitry of this appliance.

### THINGS TO NOTE

- This appliance is designed to be fitted in cabinets of the recommended dimensions as shown (Fig. 2).
- If your cabinet interior dimension is between 565-570mm the oven may still be fitted. However a minor modification to the cabinet will be required to reduce the aperture size down to 560-565mm. To allow the product to be securely screwed into the cabinet.
- The dimensions given provide adequate air circulation around the unit within the cabinet, ensuring compliance with BS EN60 335.
- Enquiries regarding the installation of the cooker point, if required, should be made to your Regional Electricity Company to ensure compliance with their regulations.
- The cooker socket switch should be outside the cabinet but within 2m of the appliance to make it accessible to switch off the appliance in case of an emergency.
- To protect the hands, wear gloves when lifting the oven into its housing.

### NOTE: HOUSE CIRCUIT

Earth leakage and continuity tests must be carried out before the appliance is connected to the mains supply and re-checked after fitting.

## GETTING THINGS READY

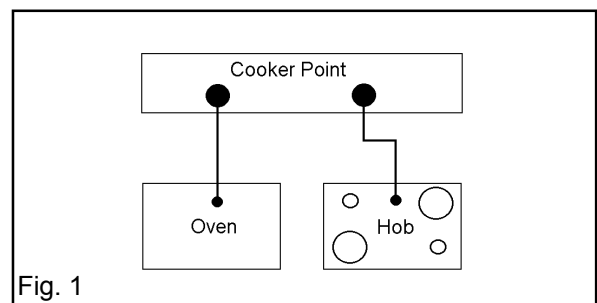
### CHOICE OF ELECTRICAL CONNECTION

- There are three possible ways to connect your appliance. In each case the appliance should be operated using at least 6mm<sup>2</sup> twin core and earth PVC insulated multicore cable. Please choose from the most appropriate after reading the different methods:-

- a) By connecting the appliance to a cooker point (having a double pole isolating switch with at least 3mm contact separation in all poles and neutral) and protected with a fuse or miniature circuit breaker at your mains fuse box.

**Subject to Regional Electricity Companies regulations if you wish to connect the oven and hob to the power supply you may use one of the following two methods:-**

- b) By connecting the appliance together with a hob directly to a cooker point(s). Having a double pole isolating switch with at least 3mm contact separation in all poles and neutral.
- c) If you wish to connect an oven and a hob to a cooker point you can by connecting the oven and hob separately to the cooker point. Oven and hob units should be separately connected to a cooker point. See Fig. 1.



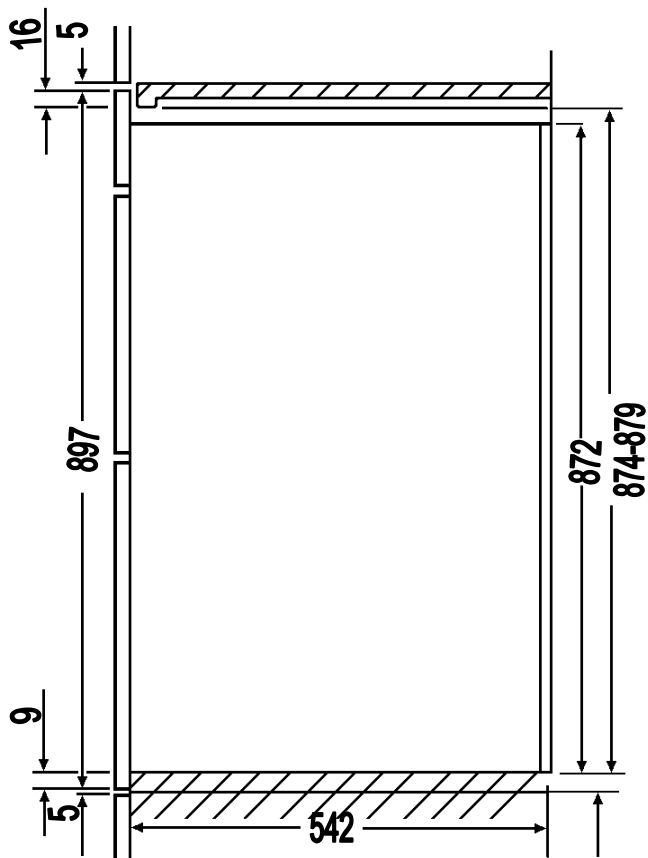
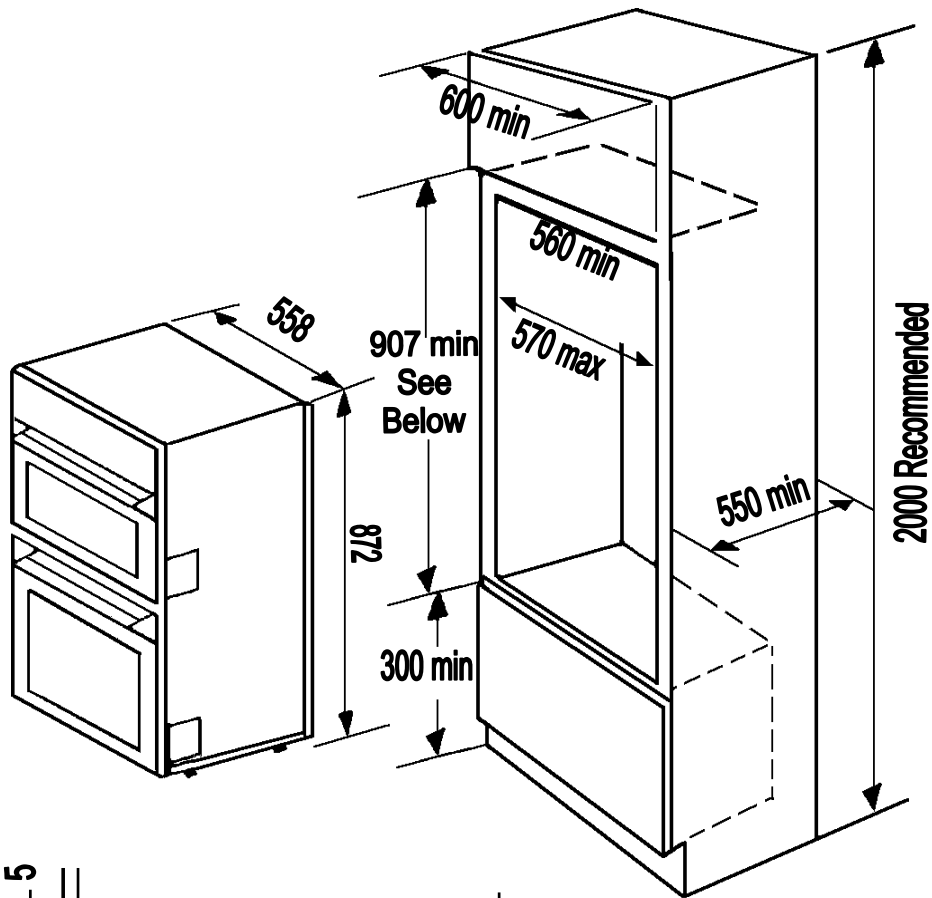
**NOTE:** It is good practice to :

- Fit an Earth Leakage Circuit Breaker to your house wiring.
- Wire your appliance to the latest IEE regulations.

## PREPARING CABINET FOR FITTING OF OVEN

- Make sure that the cabinet is the correct size for the appliance to be fitted (Ref. Fig. 2).
- If the cabinet is between 565-570mm, then the cabinet should be modified so that at the screw fixing points the recommended dimension of at least 560-565mm is maintained. The modification should ideally be localised to ensure that after screw fitment the oven is **securely** fixed into position.
- The cabinet must be stable and level securing it to the wall or floor. If necessary, make arrangements to ensure the shelf upon which the oven will rest is level.
- When the appliance is installed ensure a minimum gap of 2mm is maintained between the trim on the bottom edge of the appliance, and any corresponding door / panel.

**RECOMMENDED CABINET DIMENSIONS (IN MILLIMETRES)**



**Cross section  
through cabinet  
showing oven  
positioned**

**FIG. 2 BUILT IN INSTALLATION**



## HOW TO FINISH UNPACKING

- Place appliance next to the cabinet in which it will be installed.
- Remove the appliance packing except for bottom tray which should be left in position until the appliance is ready to be fitted into its cabinet.
- Ensure the owner is given these operating instructions.

## TOOLS REQUIRED

The following tools will be needed and it helps to assemble them before starting to install your oven:

A terminal screwdriver (3mm wide blade)  
A pozidrive screwdriver  
Pliers  
Wirestrippers  
Knife  
Sidecutters  
Adhesive tape  
Tape Measure

## MAKING THE ELECTRICAL CONNECTIONS

**Important: Switch off at mains, miniature circuit breaker and if appropriate, remove fuse before commencing any electrical work.**

## PREPARING CABLE

We recommend you use a new length of cable to ensure your safety.

- Ensure you have the correct length of cable appropriate to the wiring method you are using. When fitting new cable allow sufficient cable for removal of the unit at a later date, should it be necessary.
- Score, but **do not** cut through, around the sheathing with a knife 100mm (4in) from each end of the cable and break through to the encased wires by bending the cable backwards and forwards to fatigue the sheathing.

- Carefully score down from each of the cable sheathing along the length of the bare earth wire (if a cut was made along the length of the live or neutral wires, it might cut into their sheathing) to the cuts already made.
- Carefully prise open the sheathing at each end of the cable to expose the encased wiring.

## TO REMOVE COVER OF MAINS TERMINAL

From the rear of the appliance, remove mains input terminal cover to gain access to terminal block.

- First remove retaining screw with pozidrive screwdriver. See Fig. 3.

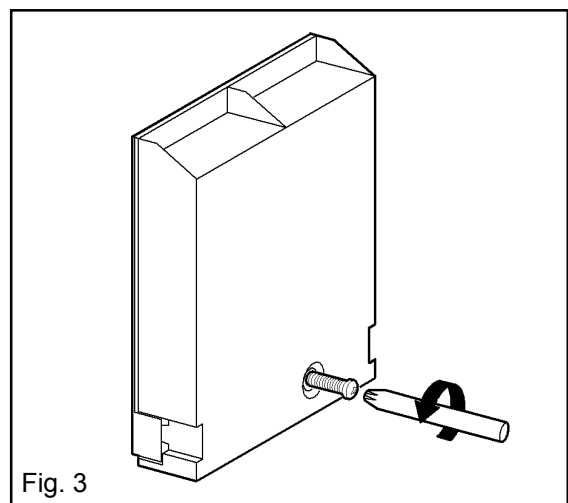


Fig. 3

- Prise cover loose using screwdriver in position (1) then lever off with screwdriver in position (2) at either side. See Fig. 4.

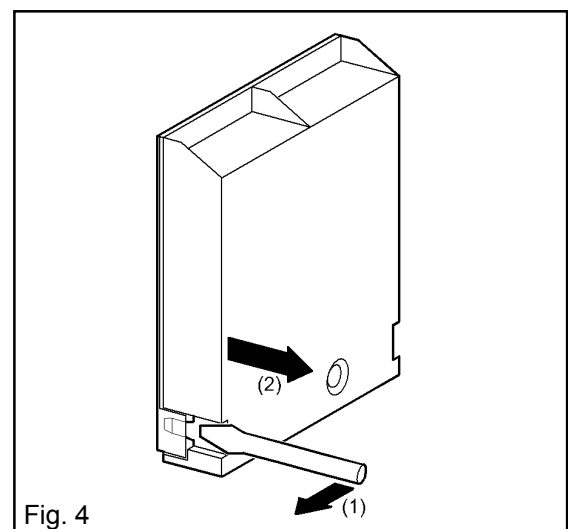


Fig. 4

- Lift cover and remove screw from cable clamp. See Fig. 5.

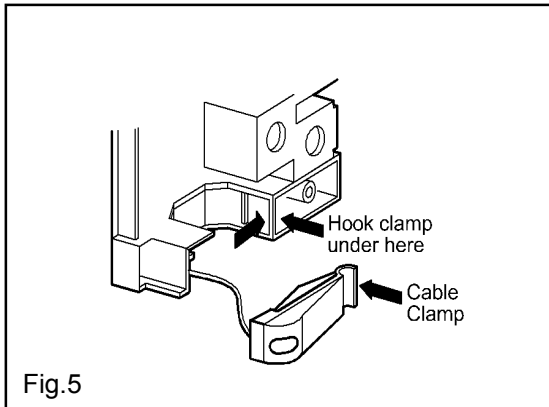


Fig.5

## CONNECTING TO MAINS TERMINAL

**Warning: This appliance must be earthed.**

- Make connection as shown in Fig. 6 by proceeding as follows:-

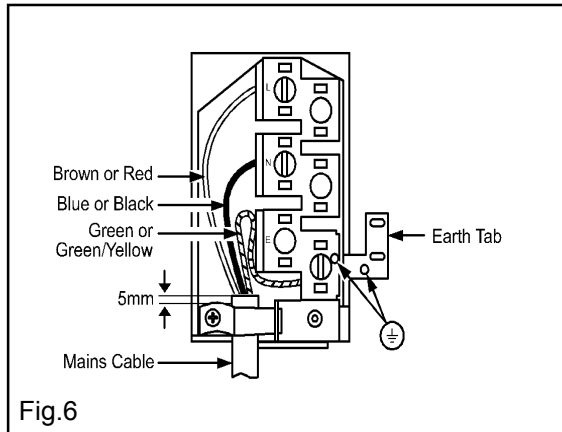


Fig.6

- Preform wires to the appropriate shape to suit fitting into the mains terminal block.
- Strip inner insulation on wires using wirestrippers.
- Twist the bared wires using pliers.
- Cut bared wires 10mm away from the end of the inner insulation. Where uninsulated Earth wires are used ensure they are suitably sheathed to leave 10mm bare wire to fit into the terminal.
- Clamp bare wires into the relevant terminal and check they are held by tugging each one in turn.

- Clamp the mains cable securely ensuring 5mm of the outer insulation is inside the terminal block and that the wires are not taugth but not so slack as to cause any fouling. See Fig.6.
- Place fuse/miniature circuit breaker in circuit and switch on at mains.

## CONNECTING TO A HOB OR COOKER POINT

**WARNING: THIS APPLIANCE MUST BE EARTHED**

- Either follow in general terms the instructions for connecting to the terminal block or refer to the hob suppliers installation instructions.

**Feed the cable through the cabinet and arrange to route the cable away from the appliance which may become hot.**

## CHECKING ELECTRICAL CONNECTIONS

- Correct electrical connection can be confirmed when switching on the appliance as the electronic timer will be flashing.

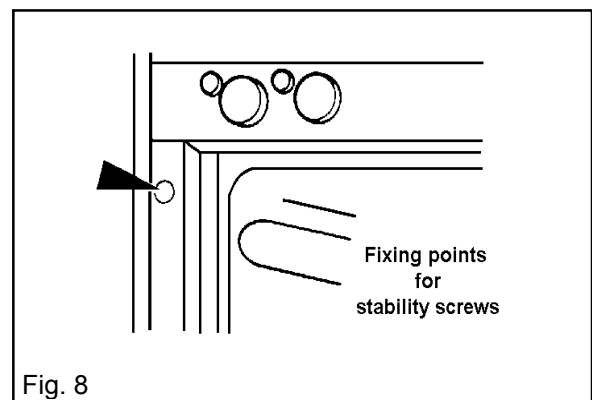
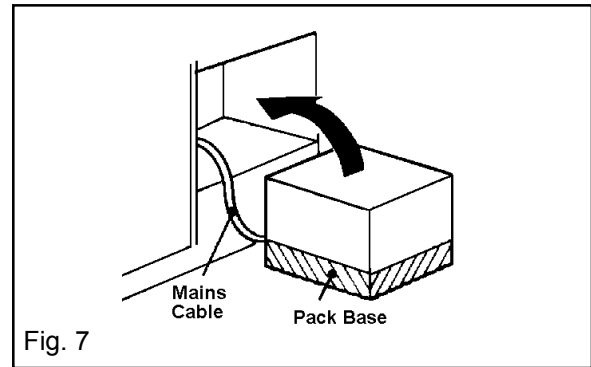
## NOTE: HOUSE CIRCUIT

Earth leakage and continuity tests must be carried out before the appliance is connected to the mains supply and re-checked after fitting.

## FITTING INTO THE CABINET

**IMPORTANT: Ensure that the oven is switched off at the wall before any further work is carried out.**

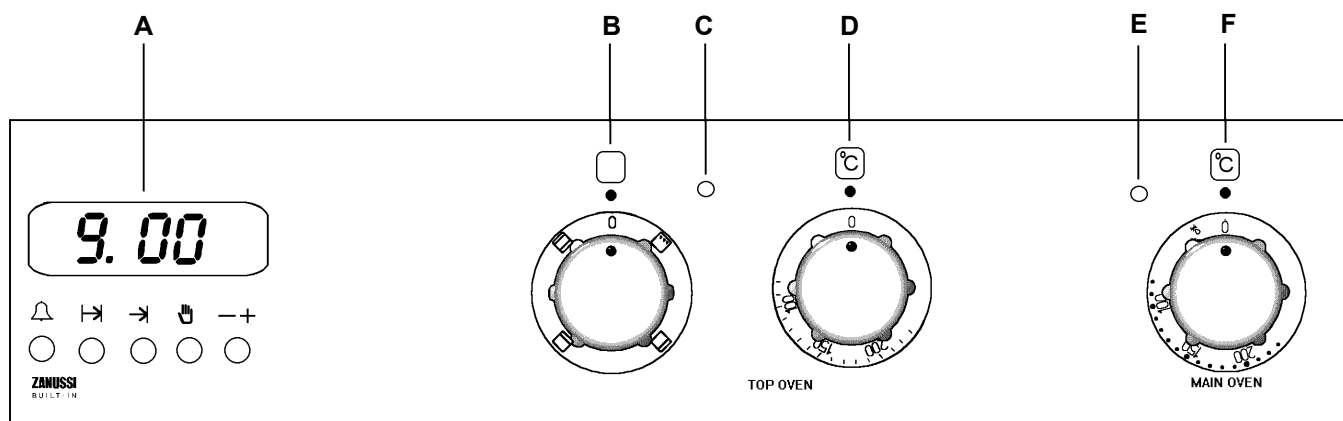
- Using a tape measure establish the internal width of the cabinet. Refer to page 7 if greater than 565mm.
- Position the appliance in front of the cabinet. See Fig. 7.
- Take out all oven furniture before installation to reduce the weight you need to lift. The oven door should be taped up to keep it closed whilst lifting.
- To place the appliance into the cabinetry follow the procedure below:
- N.B. Two people will be required to carry out the lifting procedure.
  - a) Each person should squat either side of the appliance.
  - b) Tilt the appliance so that your hands can support the underside of the appliance.
  - c) Keeping your back straight, raise the appliance to the cabinet by straightening at the knees.
  - d) Rest the rear underside of the appliance on the cabinet floor while your hands support the front.
  - e) The appliance can be pushed fully into the cabinet. Take care to avoid fouling the mains lead.
  - f) Ensure the appliance is central in the cabinet and level.
  - g) **Do not** remove spacers fitted behind fixing holes.
  - h) When the appliance is fully housed screw the stability screws (supplied with the appliance) into the side of the cabinet taking care not to distort the side trims (See Fig 8). It is advisable to turn each screw alternatively to avoid damaging the trims.
  - i) Switch on the appliance then refer to the operating instructions in the following pages.



## INTRODUCTION

**WARNING: THIS APPLIANCE MUST BE EARTHED**

### GETTING TO KNOW YOUR OVEN



- A** - Oven clock and Timer
- B** - Grill/Top oven function selector
- C** - Top oven neon
- D** - Top oven temperature control
- E** - Main oven neon
- F** - Main oven temperature control

## INTRODUCTION

### RATING PLATE

This is situated on the lower front frame of the appliance and can be seen upon opening the cavity door. Alternatively the rating plate may also be found on the back or top of some models (where applicable).

The appliance must be protected by a suitably rated fuse or circuit breaker. The rating of the appliance is given on the rating plate.

**Do not remove the rating plate from the appliance as this may invalidate the guarantee.**

### GENERAL NOTES ON USING THE OVENS

We suggest that you run the oven elements for 10 – 15 minutes at 220°C to burn off any residue from their surfaces.

The procedure should be repeated with the grill for approximately 5 –10 minutes.

During this period an odour may be emitted, it is therefore advisable to open a window for ventilation.

### ABOUT CONDENSATION AND STEAM

When food is heated it produces steam similar to a boiling kettle. The ovens are vented to allow some of the steam to escape. However, always stand back from the appliance when opening the oven door to allow any build up of steam or heat to release.

If the steam comes into contact with a cool surface on the outside of the appliance, e.g. a trim, it will condense and produce water droplets. This is quite normal and is not caused by a fault on the appliance.

To prevent discolouration, regularly wipe away condensation and also soilage from surfaces.

### COOKWARE

Baking trays, oven dishes etc., should not be placed directly against the grid covering the fan at the back of the oven.

**Do not** use baking trays larger than 30cm x 35cm (12" x 14") as they will restrict the circulation of heat and may affect performance.

### THE COOLING FAN FOR THE CONTROLS

The cooling fan comes on immediately when the grill is switched on and after a short time when either of the ovens are in use. It runs on after the controls are switched off until the appliance has cooled. During the initial period the cooling fan may turn ON and OFF, this is quite normal.

**Do not** switch off the appliance at its power point before the cooling fan has cooled the appliance down.

### CONTROL PANEL INDICATOR NEONS

These lights indicate whether the ovens are switched ON. The neons also indicate when the set temperature has been reached.

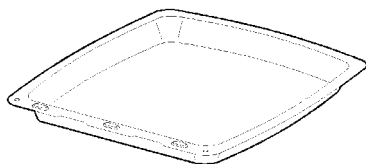
They will turn on and off during use to show that the temperature is being maintained.

If the neons do not operate as the instructions indicate the controls have been incorrectly set. Return all controls to zero and reset following the instructions for the required setting.

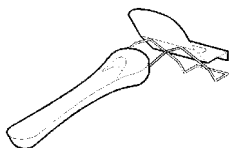
## GRILL AND OVEN FURNITURE

The following items of grill and oven furniture have been supplied with the appliance. If you require replacements of any of the items listed below please contact your local Service Force Centre, quoting the relevant part number.

1 grill pan  
(311409401)



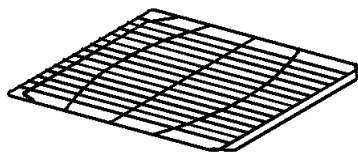
1 grill pan handle  
(311468100)



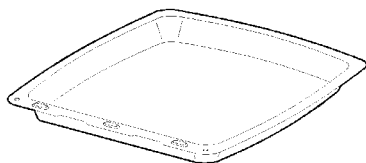
### Note

If you require an additional handle for your grill pan, this can be ordered from your local Service Force Centre by quoting part number 311479800\6.

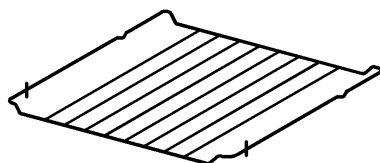
1 grill pan grid  
(311419801)



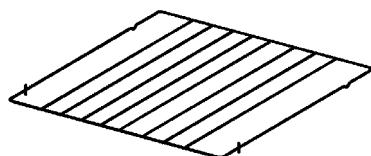
1 meat tin  
(311409401)



1 cranked shelf  
(for grilling  
and top oven  
cooking only)



2 straight shelves  
(for main oven  
cooking)



# THE OVEN TIMER

## The Electronic Timer

KEY

**A Minute Minder Button**

**B Cooking Hours Button**

**C Stop Time Button**

**D Manual Selector Button**

**E Decrease/Increase Control**

**F Key Symbol**

**G Cooking Symbol**

**H Bell Symbol**


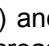
**I Auto Symbol**

**NOTE:**

The time of day must be set before the oven will operate manually.

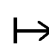
### 1. Set The Time Of Day

When the electricity supply is first switched ON, the display will flash both 0.00 and AUTO as Fig.1.

Press the two buttons marked (  ) and (  ), while holding them down turn the increase control knob (-) (+) until the correct time on the 24 hour clock is reached, e.g. 10.00am as Fig. 2. The AUTO symbol will go out.

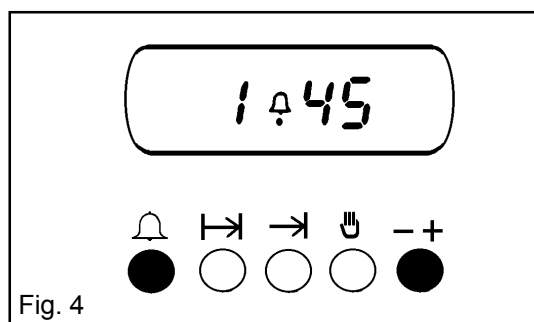
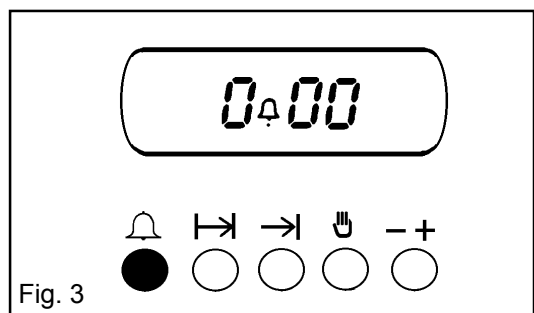
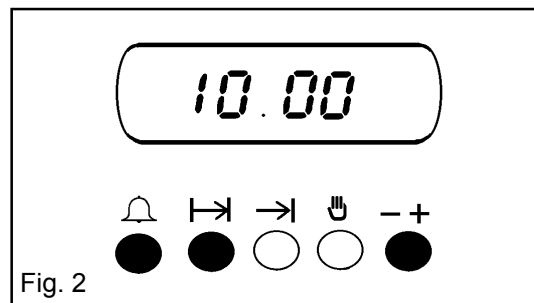
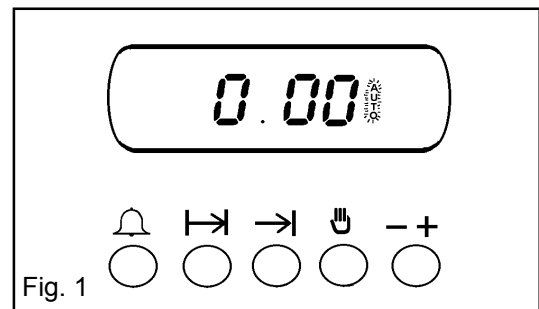
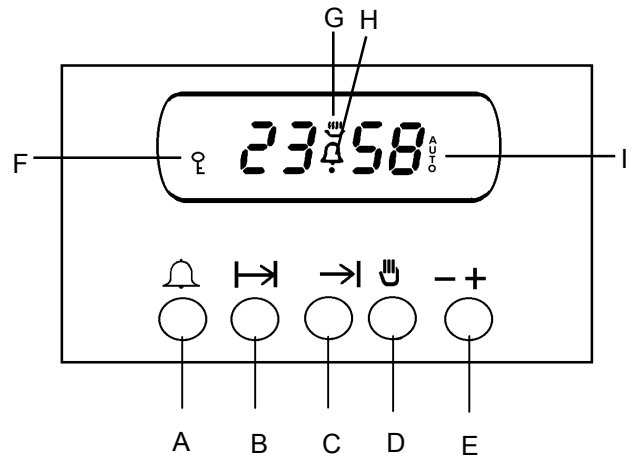
### 2. The Minute Minder

The minute minder gives an audible reminder at the end of any period of cooking up to 23 hrs 59 mins. It is not part of the automatic control.

To set, press the minute minder button (  ) and the digital display will read 0.00 and the bell symbol will glow as Fig. 3.

While holding the minute minder button down turn the increase control (+) until the display indicates the interval to be timed, e.g. 1 hr 45 mins as Fig. 4. If necessary turn the decrease control (-) to achieve the correct time interval.

**NOTE: This must be completed within 4 seconds of first pressing the minute minder button.**



Release the minute minder button and the display will return to the time of day after 5 seconds.

Whilst the minute minder is set the bell symbol (🔔) is displayed.

During the operation of the minute minder, the remaining time period can be shown in the display by pressing the minute minder button (🔔) as Fig. 5.

The minute minder will sound intermittently for up to 2 minutes at the end of the timed period. The sound can be stopped by pressing any of the 4 left-hand side buttons.

### 3. How to Set The Oven Timer Control

When using the timer control for the very first time, it is advisable to let it operate while you are at home. The displays can be checked to show that it is operating correctly and you will feel more confident to leave a meal to cook automatically in the future.

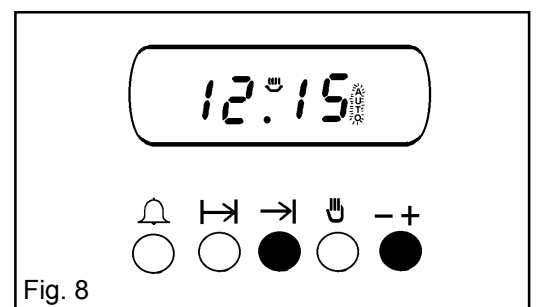
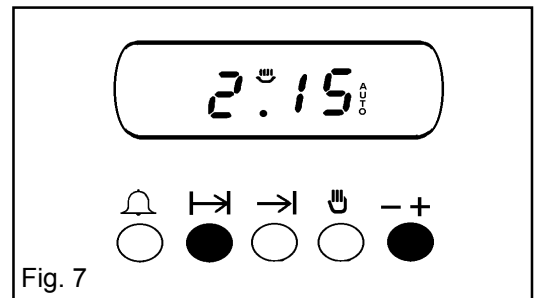
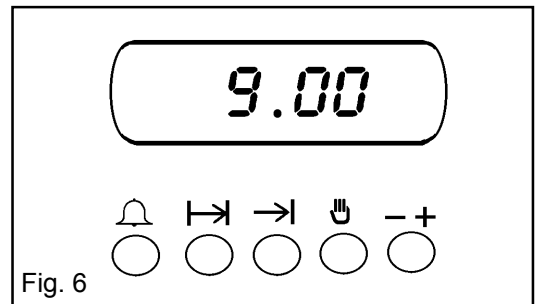
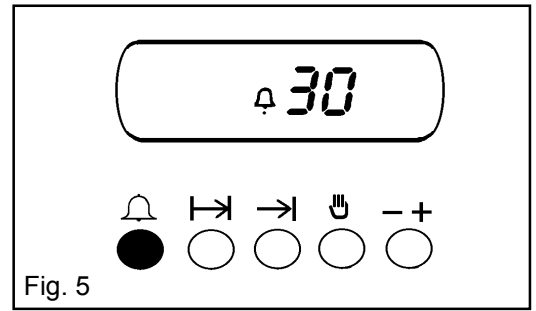
#### A) To Set The Timer To Switch On And Off Automatically

- i) Ensure the electricity supply is switched ON and that the correct time of day is displayed, e.g. 9.a.m. as Fig. 6.
- ii) Place food in oven.
- iii) To set the length of cooking time, press the cooking hours button (⏸) and while holding it down, turn the increase control ( + ) until the required length of cooking time is displayed, e.g. 2 hrs 15 mins as Fig. 7. If necessary turn the decrease control ( - ) until the correct time interval is achieved.
- iv) Release the buttons. The AUTO symbol and cooking symbols will glow.

**Remember, this must be completed within 4 seconds of first pressing the cooking hours button.**



- v) Set the STOP time. Press the stop time button (→) and while holding it down, turn the increase control ( + ) until the required stop time is displayed, e.g. 12.15p.m. as Fig 8. If necessary turn the decrease control ( - ) until the correct time interval is achieved.
- vi) Release the buttons the cooking symbol will go out and the time of day will be displayed.
- vii) Set the main oven control to the required temperature and select the required function.

**NOTE: When the automatic timed period starts the main oven indicator neon will turn ON and OFF during cooking.**





## B) To Set The Timer To Switch Off Only


- i) Ensure the electricity supply is switched ON and that the correct time of day is displayed, e.g. 10.00am as Fig. 9.
- ii) Place food in oven.
- iii) To set the length of cooking time, press the cooking hours button (  ) and while holding it down, turn the increase control ( + ) until the required length of cooking time is displayed, e.g. 2 hrs 15 mins as Fig. 10. Turn the decrease control ( - ) if necessary.
- iv) Release the buttons. The Cooking symbol and the AUTO symbol will glow and the time of day will be displayed.
- v) Set the oven temperature.
- vi) To check the stop time during the cooking period, simply press the stop time button (  ) and the stop time will be displayed, as Fig. 11.

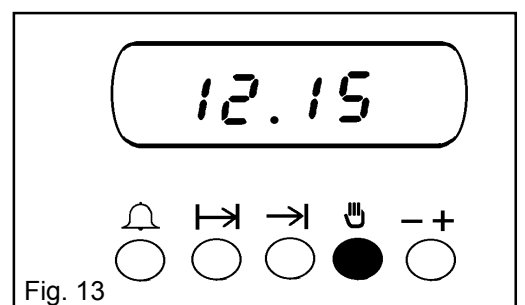
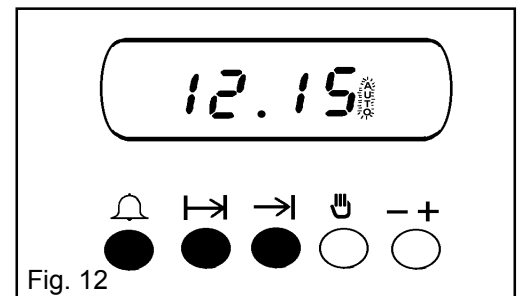
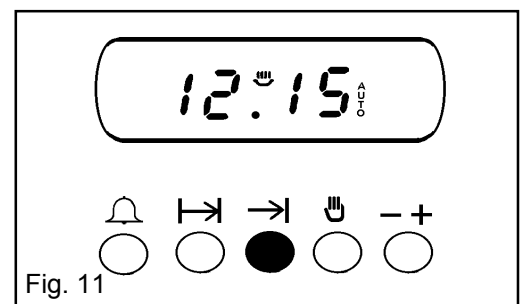
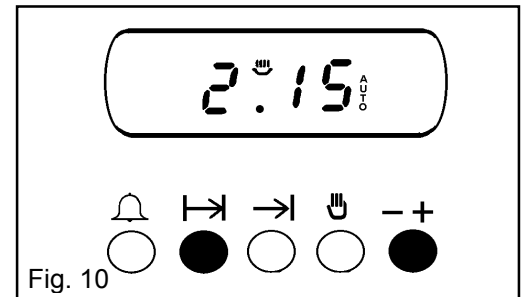
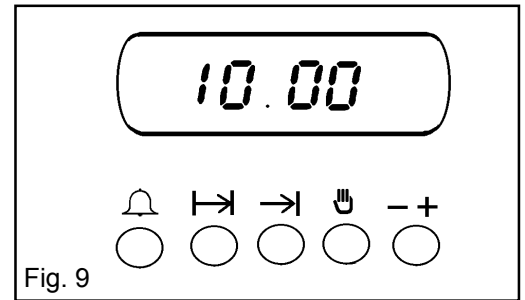
## 4. To Return The Cooker To Manual After An Automatic Programme

To return the cooker to manual operation after an automatic programme, follow the steps given below.

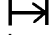
At the end of a timed cooking period, the AUTO symbol will flash and a bleeper will sound for up to 2 minutes. This can be stopped by pressing any of the buttons as Fig. 12.

Turn oven control to the OFF position. The AUTO symbol will continue to flash.

Press (  ) button. The AUTO symbol will go out as Fig.13.



## 5. To Cancel An Automatic Programme

A programme may be cancelled by returning the cooking hours to zero. Press the cooking hours button (  ) then turn ( - ) button until 0.00 is displayed as Fig.14.

The AUTO symbol will now flash and acts as a reminder to reset the appliance to manual.

## 6. Things To Note

The time of day cannot be altered whilst the AUTO symbol is lit.

During the hours of 10 p.m. (22.00 hrs) and 6 a.m. the display will glow dim. If a function is selected the display will glow brighter until the function is complete. It will then revert back to the dim mode.

In the event of an interruption of the electricity supply, the timer will reset itself to zero, and all programming will be cancelled.

## 7. Automatic Cooking

It is advisable to leave food in the oven for as short a time as possible before automatic cooking. Always ensure commercially prepared food is well within its use by date and that home prepared food is fresh and of good quality.

When cooking is complete, **do not** leave food to stand in the oven, but remove and cool it quickly if the food is not to be consumed immediately.

Always ensure food in the oven has been covered before cooking if it is not possible to remove food immediately after cooking.

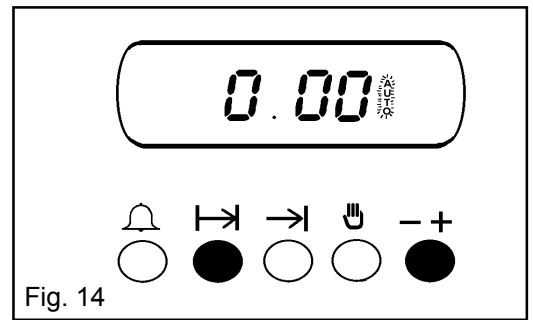


Fig. 14

## 8. LOCK FEATURE - MAIN OVEN ONLY

### To Lock The Oven Using The Timer

Press and hold buttons (🔔) and (⏸) for 3 - 8 seconds.

'On' will appear in the display as Fig. 15.

Turn the Decrease/Increase control clockwise to change the display to 'Of'.

The key symbol (🔑) appears in the display. The oven will now not operate.

After a few seconds the time of day will show in the display as Fig. 16.

Wait 3 seconds before selecting another function.

### To Unlock The Oven

Press and hold buttons (🔔) and (⏸) for 3 - 8 seconds.

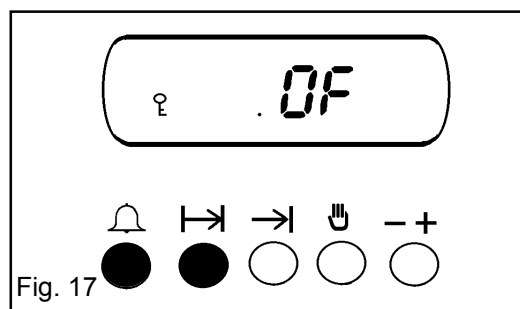
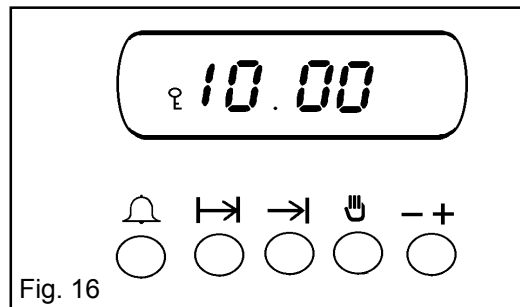
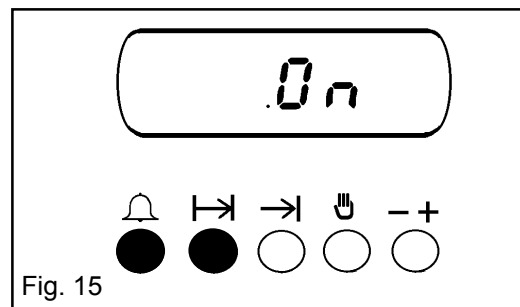
'Of' will appear in the display as Fig. 17.

Turn the Decrease/Increase control clockwise to change the display to 'On'.

The key symbol (🔑) will go out.

After a few seconds the time of day will show in the display.

The oven can now be operated normally.

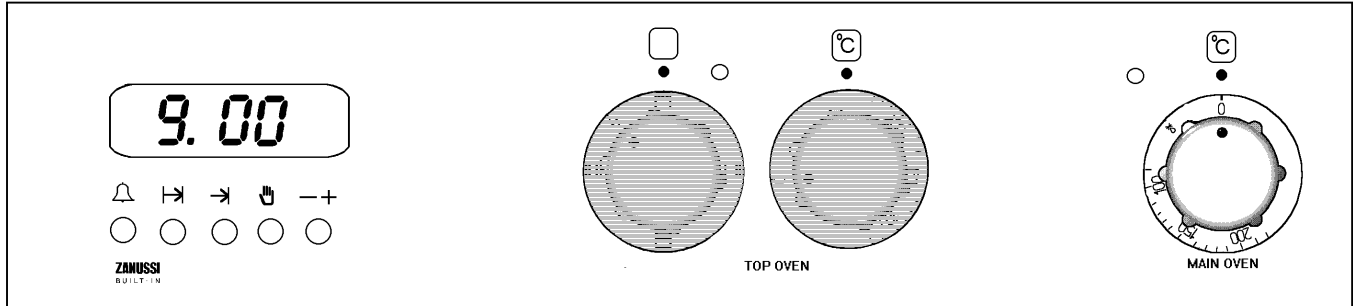



# THE GRILL

## USES OF THE GRILL

**CAUTION – ACCESSIBLE PARTS MAY BECOME HOT WHEN THE GRILL IS IN USE. CHILDREN SHOULD BE KEPT AWAY**

## SELECTING THE GRILL



- Select the grill function. 
- Turn the top oven/grill control knob to the right as far as it will go. This is the hottest setting.
- To use the grill at lower settings turn the top oven/grill control knob so that 110°C or 90°C on the knob lines up with the off dot on the panel.

### NOTE

THE GRILL DOOR MUST BE LEFT OPEN DURING GRILLING

The cooling fan for the controls will operate in conjunction with the grill.

The inner grill element may appear to glow slightly brighter than the outer element. This is quite normal.

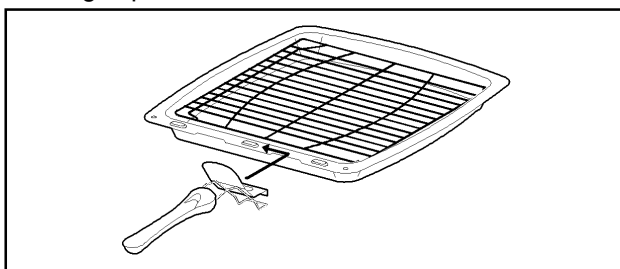
The grill operates independently of the oven.

### THE GRILL PAN AND HANDLE

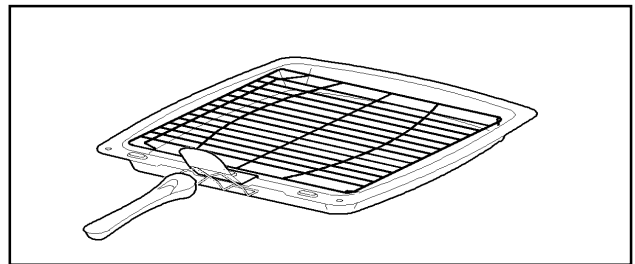
The grill pan is supplied with a removable handle.

To attach the handle, place the wirework under the cut out in the pan so that the metal plate hooks over the top of the grill pan.

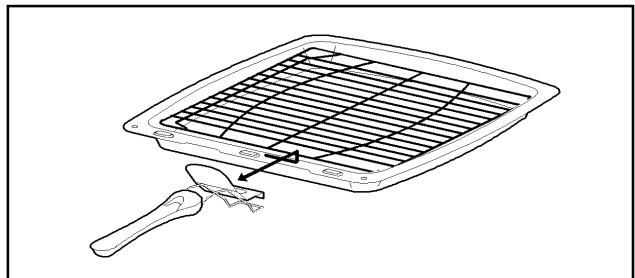
Slide the handle to the left and over the central bump on the grill pan.



**Ensure the handle is correctly located. It is not necessary to remove the grill pan handle during grilling.**



To remove the handle, slide the handle to the right and lift the handle away from the cut out on the grill pan.



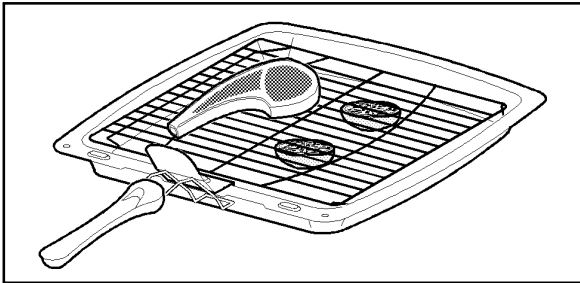
Place the grill pan on the shelf so that the pan is positioned centrally beneath the grill.



**The Grill Pan must not be located in the shelf runners.**

## HINTS AND TIPS

- Most foods should be placed on the grid in the grill pan to allow maximum circulation of air to lift the food out of the fats and juices. Food such as fish, liver and kidneys may be placed directly on the grill pan base if preferred.
- Food should be thoroughly dried before grilling to minimise splashing. Brush lean meats and fish lightly with a little oil or melted butter to keep them moist during cooking.
- Adjust the grid and grill pan runner position to allow for different thicknesses of food. Position the food close to the element for faster cooking and further away for more gentle cooking.
- Accompaniments such as tomatoes and mushrooms may be placed underneath the grid when grilling meats.



- When toasting bread, use the cranked shelf in position 2 with the grid in the 'high' position.
- Preheat the grill on a full setting for a few minutes before sealing steaks or toasting. Adjust the heat setting and the shelf as necessary during cooking.
- The food should be turned over during cooking as required.
- Place food on the grill pan grid in the grill pan.

## NOTE

If you require an additional handle for your grill pan, this can be ordered from your local Service Force Centre by quoting part number 311479800\6

## GRILLING CHART

FOOD	RUNNER POSITION	GRILL TIME (mins in total)
Toast	2 crk.	4-6
Bacon Rashers	2 crk.	10
Beefburgers	2 crk.	10-15
Chicken Joints	2 crk.	30-40
Chops - Lamb	2 crk.	15-20
Pork	2 crk.	20-30
Fish - Whole	2 crk.	15-25
Trout/Mackerel	2 crk.	
Fillets - Plaice/Cod	2 crk.	15
Kebabs	2 crk.	20-30
Kidneys - Lamb/Pig	2 crk.	8-12
Sausages	2 crk.	20-30
Steaks - Rare	2 crk.	6-12
Medium	2 crk.	12-16
Well Done	2 crk.	14-20
Toasted Sandwiches	2 crk.	3-4

crk. = Cranked Shelf

Shelf positions are counted from the bottom of the oven upwards.

The times quoted above are given as a guide and should be adjusted to suit personal taste.

The cranked shelf should be used for grilling and top oven cooking only.

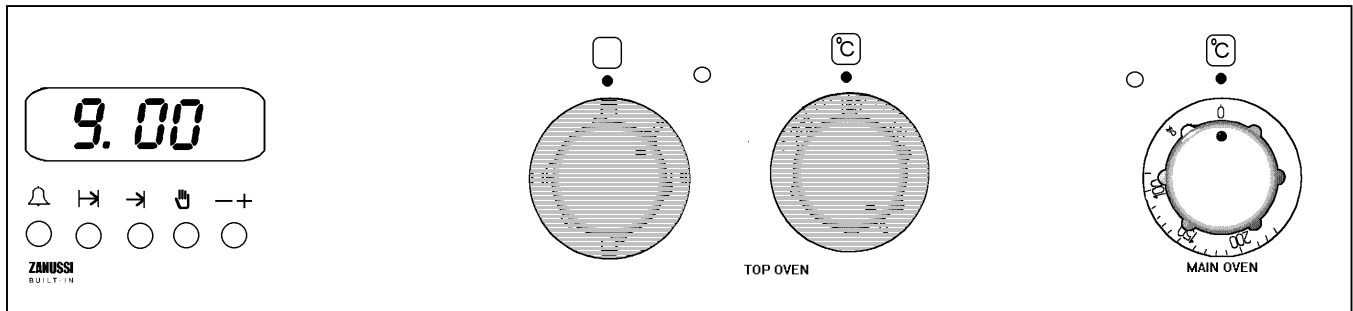
## THE TOP OVEN

### USES OF THE TOP OVEN

The top oven is the smaller of the two ovens. It is designed for cooking smaller quantities of food. It gives especially good results if used to cook fruit cakes, sweets and savoury flans or quiche.

The top oven is also ideal for use as warming compartment to warm dishes and keep food hot. Use a temperature setting of 80°C – 100°C on the oven temperature control.

### SELECTING THE TOP OVEN



Conventional Setting

Base Element Only

Top Element Only

#### Conventional Setting

- Turn the top oven function selector to
- Turn the top oven temperature control to the required setting.

Additional Functions and

- These functions can be used to finish off dishes that may require extra base heat, e.g. pizza or pies, or top browning e.g. au gratin dishes.
- Towards the end of the cook time turn the oven selector to the required function.

#### NOTE

**These functions should not be used for the entire cooking time. They are intended as a support function only.**

Base Element Only

- Turn the top oven function selector to
- This function is particularly useful for foods such as pizza where base browning and crispness are required.
- Some pizzas should be cooked directly on the oven shelf. To prevent soiling the oven base, place a baking tray in one of the lower positions.



**Do not place dishes, tins or baking trays directly on the oven base as damage will occur.**

Top Element Only

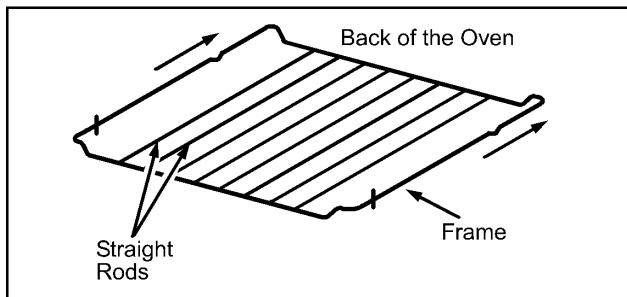
- Turn the top oven selector to
- This function is particularly useful for items such as cauliflower cheese or au gratin dishes which may require top browning before serving.

## THINGS TO NOTE

1. The top oven indicator neon will glow until the oven has reached the desired temperature and then go out. It will turn ON and OFF periodically during cooking showing that the temperature is being maintained.
2. The cooling fan for the controls may operate, after a period of time.
3. Dishes, tins or trays should not be placed directly on the top oven base as it becomes very hot and damage will occur.

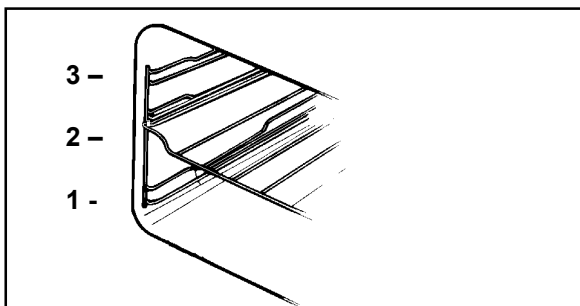
## TO FIT THE TOP OVEN SHELF

The cranked shelf should be fitted with the straight rods uppermost on the frame and the forms towards the back of the oven. If not fitted correctly the anti-tilt and safety stop mechanism will be affected.



## HINTS AND TIPS

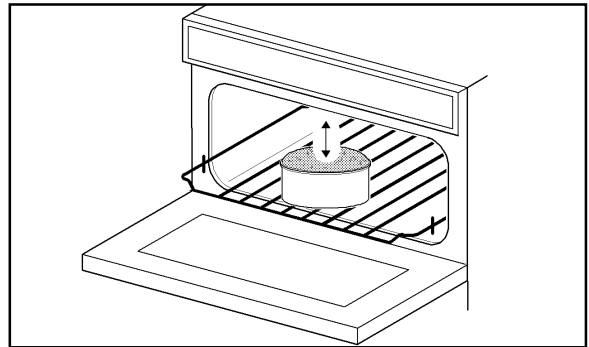
- All cooking should be carried out on shelf positions one and two using a cranked shelf. When more space is required, for example when roasting or casseroles, a straight shelf from the main oven may be placed on the top oven base.



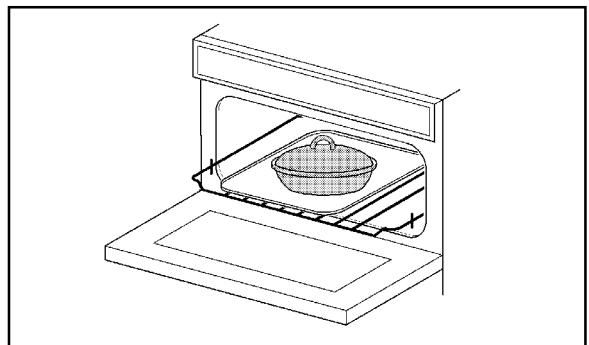
## HINTS AND TIPS

- Arrange the shelves in the required positions before switching the oven ON. Shelves are numbered from the bottom upwards.

- There should always be at least 2.5cm (1") between the top of the food and the element. This gives best cooking results and allows room for rise in yeast mixtures, Yorkshire puddings etc. When cooking cakes, pastry, scones, bread etc., place the tins or baking trays centrally below the element.



- Ensure that food is placed centrally on the shelf and there is sufficient room around the baking tray/dish to allow for maximum circulation.
- Stand dishes on suitably sized baking trays to prevent spillage onto the oven base and to help reduce cleaning.



- **DO NOT** place baking trays directly on the oven floor as it interferes with the oven air circulation and can lead to base burning; use the lower shelf position.
- The material and finish of the baking tray and dishes will affect the degree of base browning of the food. Enamelware, dark, heavy or non-stick utensils increase base browning. Shiny aluminium or polished steel trays reflect the heat away and give less base browning.
- **DO NOT** use the grill pan or meat tin as a baking tray as this will increase base browning of the food.
- Because of the smaller cooking space, lower temperatures and shorter cooking times are sometimes required. Be guided by the recommendations on page 26.
- For economy leave the door open for the shortest possible time, particularly when placing food into a pre-heated oven.

## THE MAIN FAN OVEN

### USES OF THE FAN OVEN

#### PREHEATING

The fan oven quickly reaches its temperature, so it is not usually necessary to preheat the oven. Without preheating however, you may find you need to add an extra 5-10 minutes on the recommended cooking times. For recipes needing high temperatures, e.g. bread, pastries, scones, soufflés etc., best results are achieved if the oven is preheated first. For best results when cooking frozen or cooked chilled ready meals always preheat the oven first.

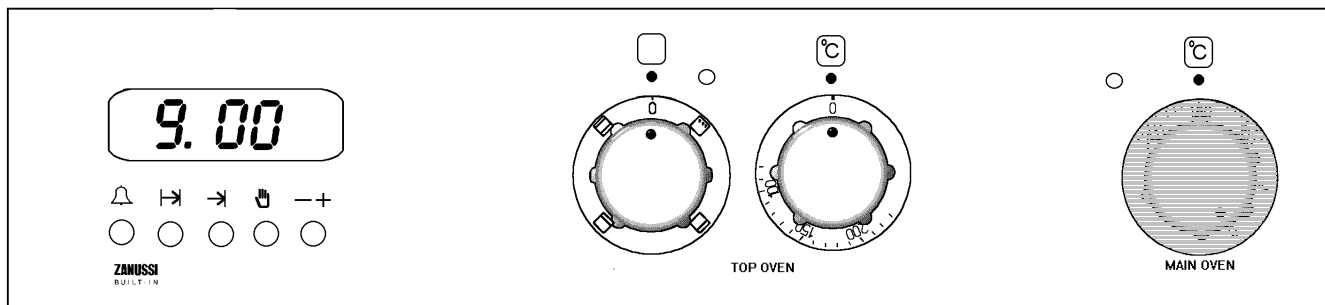
#### COOKING TEMPERATURES

Fan oven cooking generally requires lower temperatures than conventional cooking. Follow the temperatures recommended in the chart on page 26. As a guide reduce temperatures by about 20°C - 25°C for your own recipes, using a conventional oven.

#### BATCH BAKING

The fan oven cooks evenly on all shelf levels, especially useful when batch baking.

### SELECTING THE FAN OVEN



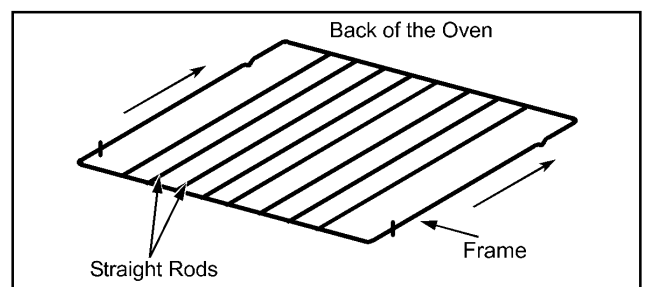
- Turn the main fan oven temperature control to the required setting.

#### THINGS TO NOTE

- 1) The main oven indicator neon will glow until the oven has reached the desired temperature and then go out. It will turn ON and OFF periodically during cooking showing that the temperature is being maintained.
- 2) The oven fan will operate continually during cooking.
- 3) The cooling fan for the controls may operate after a period of time.
- 4) The internal oven light will come on.

### TO FIT THE MAIN OVEN SHELVES

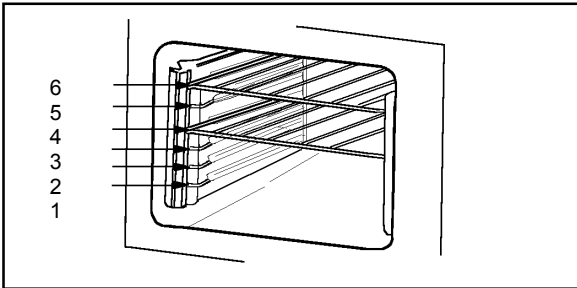
The shelves should be fitted with the straight rods uppermost on the frame and the forms towards the back of the oven. If not fitted correctly the anti-tilt and safety stop mechanism will be affected. Only use straight shelves in the main oven.



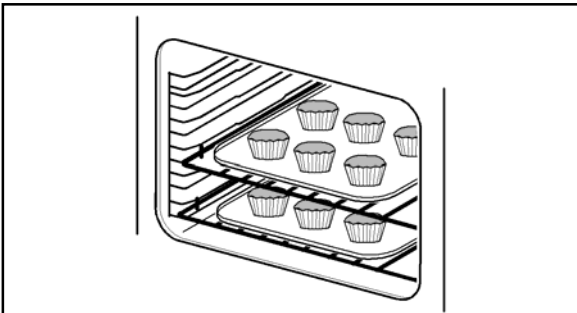


## HINTS AND TIPS

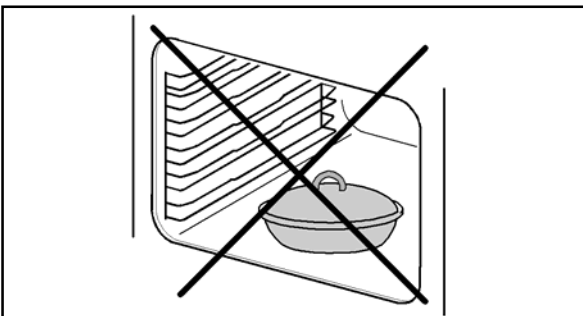
- Arrange the shelves in the required positions before switching the oven ON. Shelf positions are numbered from the bottom upwards.



- When cooking more than one dish in the fan oven, place dishes centrally on different shelves rather than cluster several dishes on one shelf, this will allow the heat to circulate freely for the best cooking results.
- When batch baking one type of food, e.g. Victoria sandwich cakes, those of similar size will be cooked in the same time.



- **Do not** use the cranked shelf from the grill in the main oven
- It is recommended that when baking larger quantities, the shelf positions should be evenly spaced to suit the load being cooked. A slight increase in cooking time may be necessary.
- **DO NOT** place baking trays directly on the oven floor as it interferes with the oven air circulation and can lead to base burning; use the lower shelf position.



- The use of excessively high temperatures can cause uneven browning. It may be necessary to reduce temperatures slightly. Refer to the recommendations given in the oven cooking chart, see page 26.

## OVEN COOKING CHART

The oven temperatures are intended as a guide only. It may be necessary to increase or decrease the temperatures by 10°C to suit individual preferences and requirements.

FOOD	FAN OVEN		TOP OVEN		
	SHELF POSITION	COOKING TEMP °C	SHELF POSITION	COOKING TEMP°C	APPROX COOK TIME (m)
Biscuits		180 - 190	2 crk.	170 - 190	10 - 20
Bread		200 - 220	1 crk.*	200 - 220	25 - 30
Bread rolls/buns	Shelf	200 - 220	1 crk.	200 - 220	15 - 20
Cakes:					
Small & Queen		160 - 170	2 crk.	180 - 190	18 - 25
Sponges		160 - 170	2 crk.	160 - 170	18 - 20
Victoria Sandwich	positions	160 - 170	2 crk.	160 - 170	18 - 25
Madeira		140 - 150	1 crk.	140 - 150	1¼ - 1½h
Rich Fruit		130 - 140	1 crk.	130 - 140	2¼ - 2½h
Christmas	are not	130 - 140	1 crk.	130 - 140	3 - 4½h
					depends on size
Gingerbread		140 - 150	1 crk.	140 - 150	1¼ - 1½h
Meringues	critical	80 - 100	1 crk.	90 - 100	2½ - 3h
Flapjack		170 - 180	1 crk.	170 - 180	25 - 30
Shortbread		130 - 140	1 crk.	140 - 150	45 - 65
Casseroles:					
Beef/Lamb	but ensure	140 - 160	1 crk.*	140 - 160	2½ - 3h
Chicken		180 - 190	1 crk.*	180 - 190	1¼ - 1½
Convenience Foods		Follow manufacturer's instructions			
Fish	that oven	170 - 190	1 crk.	170 - 190	20 - 30
Fish Pie (Potato Topped)		190 - 200	1 crk.*	190 - 200	20 - 25
Fruit Pies, Crumbles		190 - 200	1 crk.	190 - 200	40 - 50
Milk Puddings	shelves	130 - 140	1 crk.	140 - 150	1½ - 2h
Pasta Lasagne etc.		190 - 200	1 crk.	170 - 180	40 - 45
Pastry:					
Choux	are	190 - 200	1 crk.	180 - 190	30 - 35
Eclairs, Profiteroles		170 - 180	1 crk.	170 - 180	20 - 30
Flaky/Puff Pies		210 - 220	1 crk.*	210 - 220	25 - 40
Shortcrust					
Mince Pies	evenly	190 - 200	1 crk.	190 - 200	15 - 20
Meat Pies		190 - 210	1 crk.*	190 - 210	25 - 35
Quiche, Tarts, Flans		180 - 210	1 crk.	180 - 200	25 - 45
	spaced				
Roasting Meat, Poultry		160 - 180	1 crk.*	160 - 180	see roasting chart
Scones	when more	210 - 220	2 crk.	220 - 230	8 - 10
Shepherd's Pie		190 - 200	1 crk.*	190 - 200	30 - 40
Soufflés		170 - 180	1 crk.	170 - 180	20 - 30
Vegetables:					
Baked Jacket Potatoes	than one is	180 - 190	1 crk.	180 - 190	1 - 1½
Roast Potatoes		180 - 190	1 crk.	180 - 190	1 - 1½
Yorkshire Puddings:					
Large	used	210 - 220	1 crk.	200 - 210	25 - 40
Individual		200 - 210	1 crk.	200 - 210	15 - 25

crk. = cranked shelf

\*or on a straight shelf on the oven base.

**Note:** shelf positions are counted from the bottom of the oven.

**Do not** use the cranked shelf from the grill in the main oven.

## ROASTING CHART

ROASTING CHART		
INTERNAL TEMPERATURES – Rare : 50-60°C; Medium : 60-70°C; Well done : 70-80°C		
MEAT	TOP/FAN OVEN	COOKING TIME
Beef	160-180°C	20-35 minutes per ½kg (1lb) and 20-35 minutes over
Beef, boned	160-180°C	25-35 minutes per ½kg (1lb) and 25-35 minutes over
Mutton and Lamb	160-180°C	25-35 minutes per ½kg (1lb) and 25-35 minutes over
Pork and Veal	160-180°C	30-40 minutes per ½kg (1lb) and 30-40 minutes over
Ham	160-180°C	30-40 minutes per ½kg (1lb) and 30-40 minutes over
Chicken	160-180°C	15-20 minutes per ½kg (1lb) and 20 minutes over
Turkey and Goose	160-180°C	15-20 minutes per ½kg (1lb) up to 3½kg (7lb) then 10 minutes per ½kg (1lb) over 3½kg (7lb)
Duck	160-180°C	25-35 minutes per ½kg (1lb) and 25-30 minutes over
Pheasant	160-180°C	35-40 minutes per ½kg (1lb) and 35-40 minutes over
Rabbit	160-180°C	20 minutes per ½kg (1lb) and 20 minutes over
Potatoes with meat	160-180°C	according to size
Potatoes without meat	180-190°C	according to size

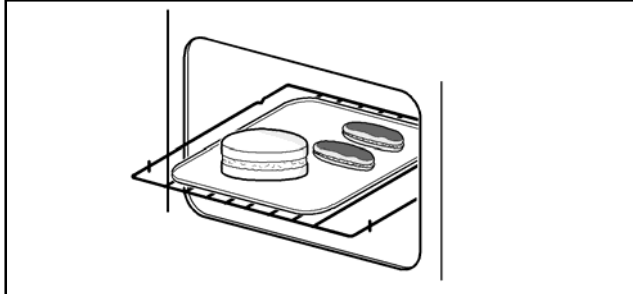
The roasting temperatures and times given in the chart should be adequate for most joints, but slight adjustments may be required to allow for personal requirements and the shape and texture of the meat. However, lower temperatures and longer cooking times are recommended for less tender cuts or larger joints.

Wrap joints in foil if preferred, for extra browning uncover for the last 20 – 30 min. cooking time.

## DEFROST FEATURE

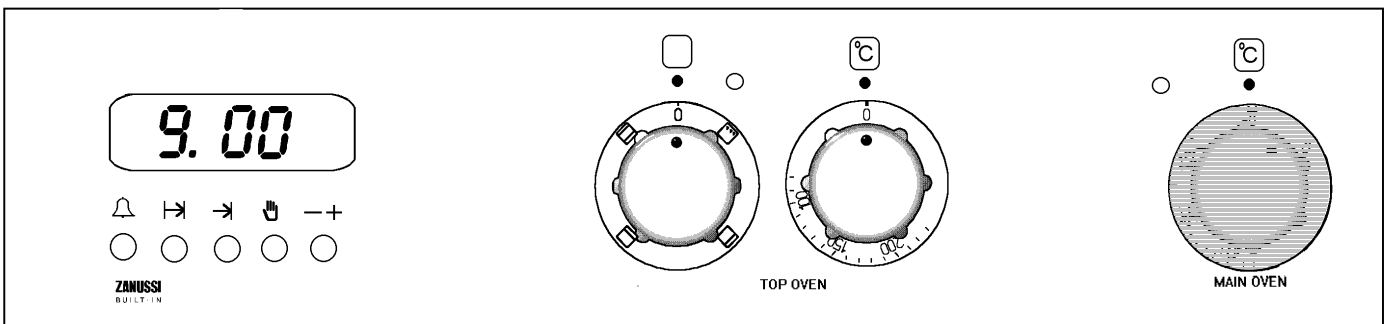
### USES OF DEFROST

This main oven function defrosts most foods faster than more conventional methods. It is particularly suitable for delicate frozen foods which are to be served cold, e.g. cream filled gateaux, cakes covered with icings or frostings, cheesecakes, biscuits, scones, etc.



It is preferable to thaw fish, meat and poultry slowly in the fridge. However, this process can be accelerated by using the defrost function.

### SELECTING DEFROST

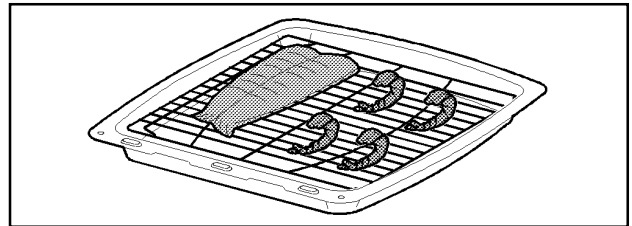


- Turn the main oven temperature control to the defrost setting (☼).
- The oven fan and internal oven light will come on.
- The cooling fan does not operate.

### THINGS TO NOTE

Care must always be taken when handling foods in the home. Always follow the basic rules of food hygiene to prevent bacterial growth and cross contamination when defrosting, preparing, cooking, cooling and freezing foods.

Small or thin fish fillets, frozen peeled prawns, cubed or minced meat, liver, thin chops, steaks etc., can be thawed in 1 – 2 hours.



A 1kg/2¼lb oven ready chicken will be thawed in approximately 5 hours. Remove the giblets as soon as possible during the thawing process.

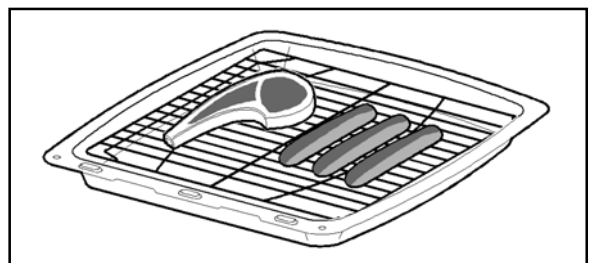
Joints of meat up to 2kg/4½lb in weight can be thawed using the defrost function.

**ALL JOINTS OF MEAT AND POULTRY MUST BE THAWED THOROUGHLY BEFORE COOKING**

**ALWAYS COOK THOROUGHLY IMMEDIATELY AFTER THAWING.**

### HINTS AND TIPS

- Place the frozen food in a single layer where possible and turn it over half way through the defrosting process.



- The actual speed of defrosting is influenced by room temperature. On warm days defrosting will be faster than on cooler days.
- **DO NOT** leave food at room temperature once it is defrosted. Cook raw food immediately or store cooked food in the fridge, once it has cooled.

## HELEPFUL HINTS WHEN BUYING AND PREPARING FOOD

Care must be taken when handling foods in the home. Always follow the basic rules of hygiene to prevent bacterial and microbial growth and cross contamination when, reheating, cooking, cooling, defrosting and freezing foods:-

1. Always ensure food you purchase is of good quality and in prime condition. Shop at a reliable source and buy the 'freshest' looking package – avoid shop-worn labels or produce covered in dust.
2. Avoid buying chilled or frozen products if you cannot store them straight away. The use of an insulated container when shopping is advisable.
3. Buy and consume foods prior to the 'Sell by' or 'Best Before' date.
4. When you arrive home, lace perishable foods in the refrigerator or freezer immediately. Ensure they are well covered to prevent them drying out and to prevent any possible cross contamination with bacterial from raw to cooked foods.
5. Follow the cooking instructions on packets of prepacked and cooked chilled foods, but be prepared to adjust cooking time and temperatures to suit your particular oven. For example, the fan oven generally requires 20-25°C lower temperature than conventional ovens.
6. Always ensure that cooked chilled foods are thoroughly re-heated until they are piping hot throughout.
7. It is preferable to defrost frozen foods slowly in the refrigerator. Alternatively, a microwave oven or the Defrost function on your oven may be used.
8. Always cook defrosted foods immediately after thawing. Thawed food should never be refrozen.
9. Joints of meat and poultry should be thoroughly defrosted before cooking.
10. Cook meat thoroughly – use a meat thermometer if preferred, which penetrates the joint to check that the centre temperature has reached the required temperature (see table below).

MEAT	TEMPERATURES
Beef	Rare 60°C Medium – 70°C Well Done - 80°C
Pork	Well Done - 80°C
Lamb	Medium – 70°C Well Done - 80°C

11. If not eaten straight away after cooling, food should be cooled as quickly as possible (within one hour) and then refrigerated or frozen as required. (**Do not** put hot food into a Refrigerator or Freezer).
12. In the kitchen keep work tops, chopping boards and utensils clean with hot soapy water between preparation stages. Ideally, keep one chopping board for raw meat and another for other foods. Keep your dish cloths and tea towels clean.

## CARE AND CLEANING

**BEFORE CLEANING ALWAYS ALLOW THE COOLING FAN TO COOL THE APPLIANCE DOWN BEFORE SWITCHING OFF AT THE ELECTRICITY SUPPLY.**

### CLEANING MATERIALS

Before using any cleaning materials on your appliance, check that they are suitable and that their use is recommended by the manufacturer.

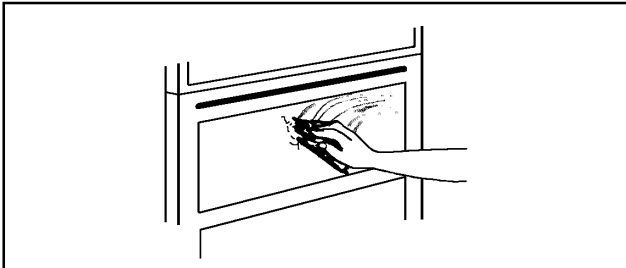
Cleaners that contain bleach should NOT be used as they may dull the surface finishes. Abrasives must also be avoided to prevent damaging the stainless steel or painted finishes.

### CLEANING THE OUTSIDE OF THE APPLIANCE

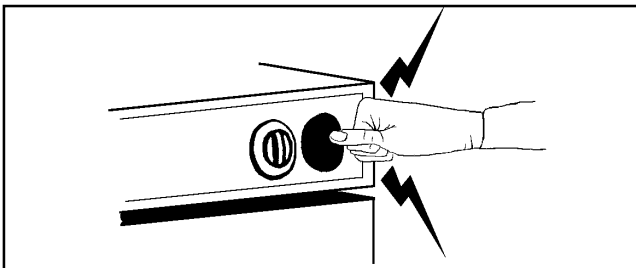
**DO NOT** use abrasive cleaning materials, e.g. Hob Brite, Brillo pads or scourers on painted or printed finishes as damage may occur.


Regularly wipe over the control panel, oven doors and appliance sides using a soft cloth and hot soapy water. To prevent streaking on stainless steel models finish with a soft cloth. **Any spillage on the stainless steel finish must be wiped off immediately.**

Stainless Steel cream cleaners are abrasive and should be avoided as they may dull the surface finish.



**DO NOT ATTEMPT TO REMOVE ANY OF THE CONTROL KNOBS FROM THE PANEL AS THIS MAY CAUSE DAMAGE AND IS A SAFETY HAZARD.**



 Under no circumstances should the door assembly be detached from the product for cleaning. Please refer to the cleaning instructions.

### CLEANING THE STAINLESS BRUSHED STEEL CONTROL KNOBS AND HANDLES (WHERE APPLICABLE)

It is strongly recommended that only hot soapy water is used for cleaning the control knobs and door handles

**ANY OTHER CLEANING MATERIALS WILL DULL THE STAINLESS BRUSHED STEEL FINISH.**

### CLEANING INSIDE THE OVENS

The vitreous enamel oven interiors can be cleaned using normal oven cleaners or aerosol oven cleaners with care. Ensure that the manufacturers instructions are followed and that all parts are well rinsed afterwards. Aerosol cleaners must not come into contact with elements or the door seal as this may cause damage.

### CLEANING THE SHELVES, WIREWORK RUNNERS AND GRILL/OVEN FURNITURE

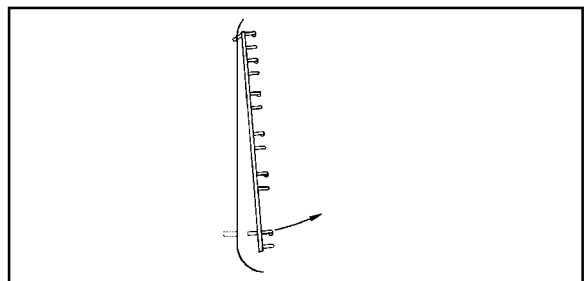
All removable parts, except the grill pan handle can be washed in the dishwasher.

The grill pan, grill pan grid, meat tin, oven shelves and wirework runners may be cleaned using a soap impregnated steel wool pad. Soaking first in hot soapy water will make cleaning easier.

### TO REMOVE THE WIREWORK RUNNERS

The wirework runners in both ovens can be removed for cleaning.

1. Remove all shelves and furniture from the oven.
2. Hold the wirework at the bottom and gently pull towards the centre of the oven.
3. Unhook the runner at the top and remove it from the cavity.
4. To replace, hook the wirework back into the oven sides.



 Ensure that the wirework runners are firmly in place before refitting the oven shelves.

## CLEANING BETWEEN THE OUTER AND INNER DOOR GLASS



To prevent damaging or weakening the door glass panels avoid the use of the following:

- Household detergents and bleaches
- Impregnated pads unsuitable for non-stick saucepans
- Brillo/Ajax pads or steel wool pads
- Chemical oven pads or aerosols
- Rust removers
- Bath/Sink stain removers

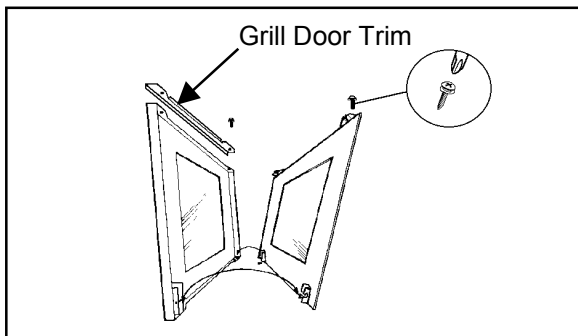


Under no circumstances should the door assembly be detached from the product for cleaning. Please refer to the cleaning instructions.

The outer door glass is removable for cleaning.

### TO REMOVE THE OUTER GLASS

1. Open the oven door slightly to gain access to the two cross head screws on the top of the oven door.
2. Loosen the two screws using a Pozidrive screwdriver.



3. Hold the door glass securely in place with one hand before removing the screws completely with the other hand.
4. Using both hands, gently tilt the top of the door glass towards you, lift slightly to disengage the locators from the two bottom brackets. The door will remain in a parked position at an angle of approximately 30°.

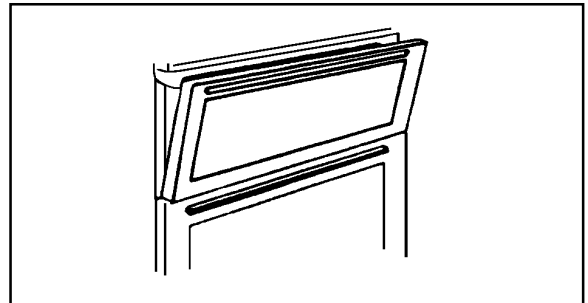
5. Clean the outer and inner glass using hot soapy water or Hob Brite may be used with care. **DO NOT** try to clean the foil which is inside the door. The foil is there to help keep the door cool, if it is damaged it will not work. Ensure that all parts are well rinsed and thoroughly dried before attempting to replace the outer door glass.



If the door glass panel becomes chipped or has deep scratches the glass will be weakened and must be replaced to prevent the possibility of the panel shattering. Please contact your local Service Centre who will be pleased to advise further.

### TO REPLACE THE OUTER GLASS

1. Open the oven door with care and place in the park position at an angle of approximately 30°.

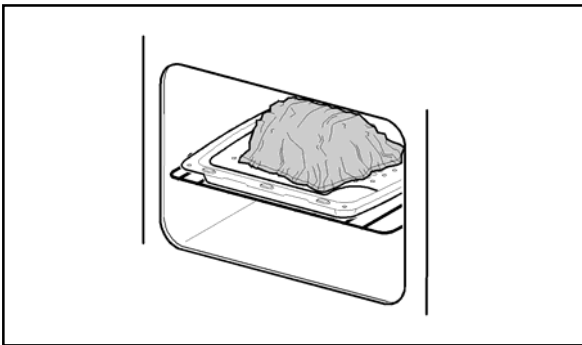


2. Holding the oven glass with both hands, gently place the locators into the holes of the brackets at the bottom of the oven door.
3. Push the top of the oven glass towards the oven door ensuring the screw location holes line up.
4. Ensure the trim is correctly positioned on the top oven / grill door.
5. Hold the glass in place at the top of the door. Insert the cross head screws into the location holes. Give the screws one turn to ensure the glass is secure.
6. Tighten the screws positively with the Pozidrive screwdriver before closing the oven door

**DO NOT attempt to use the oven without the glass being in place.**

## HINTS AND TIPS

- Follow the recommendations below to keep oven soilage to minimum.
- Cook at the recommended temperatures. Higher temperatures during roasting will increase soilage. Try cooking at lower temperatures for an increased length of time, you will save energy and often the joint is more tender.
- Use minimal, if any, extra oil or fat when roasting meat, potatoes only require brushing with fat before cooking. Extra fat in the oven during roasting will increase splashing and soilage.
- It is NOT necessary to add water to a meat tin when roasting. The water and the fat juices from the joint create excessive splattering during cooking – even at normal temperatures, as well as causing condensation.
- Covering joints during cooking will also prevent splashing onto the interior surfaces. Removing the covering for the last 20-30 minutes will allow extra browning if required. Some large joints and turkeys especially benefit by this method of cooking, allowing the joint to cook through before the outside is over-browned.



## REPLACING AN OVEN LIGHT BULB

The type of bulb required is a 300°C 25 watt small Edison Screw. Part number 572 491 5431-00/1 (Available through your local Service Force Centre).

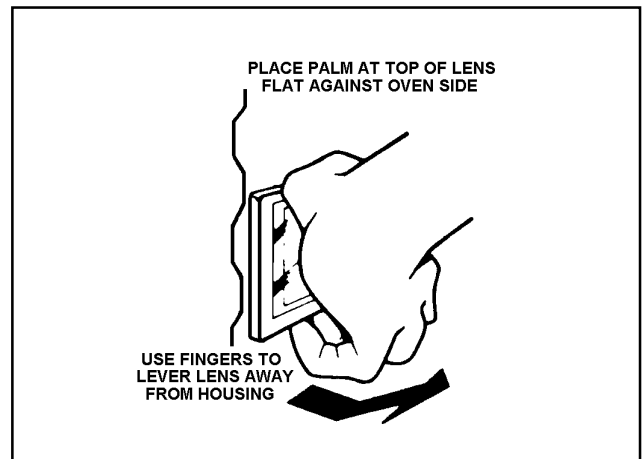
**CAUTION:** DISCONNECT THE APPLIANCE FROM THE ELECTRICITY SUPPLY BEFORE REPLACING THE BULB.

Open the door and remove the shelves to enable easy access to the oven light assembly. Insert a flat blade screwdriver between the oven side and glass which covers the bulb.

Support the glass with your hand and prise out sufficiently to release the glass cover. Unscrew the bulb in an anticlockwise direction until it is possible to remove the bulb with ease.

Fit the new bulb by turning in a clockwise direction until it is secure. Ensuring the indent to the flange is pointing to the rear of the oven, replace the glass by pushing it firmly into the hole to cover the bulb assembly.

Replace the shelves. Restore the electricity supply and adjust the time of day and clock as necessary.





## SOMETHING NOT WORKING?

Before calling an Engineer please carry out the following checks, you may be able to solve the problem without the expense of an Engineer.

If our Service Engineer finds that the problem is listed below you will be charged for the call whether or not the appliance is under guarantee.

### **The grill, oven and timer do not work.**

- \* Check that the appliance has been wired in and is switched on at the wall.
- \* Check that the main appliance fuse is working.

If you have checked the above:

- \* Switch OFF appliance at the wall and allow the appliance to cool for a couple of hours. Switch ON again. The appliance should now be working normally.

### **The grill works but the main oven does not:**

- \* Check that the grill control is in the OFF position.
- \* Switch OFF at the wall to allow the oven to cool. Check that the oven is now working normally.

### **The top oven and grill work but the main oven does not.**

- \* Switch OFF at the wall to allow the oven to cool. Check that the oven is now working normally.

### **The clock and minute minder do not work.**

- \* Check that the operating instructions for the timer are being closely followed.

### **The grill does not work or cuts out after being used for a long period of time.**

- \* Leave the oven to cool for a couple of hours. Check that the grill is now operating normally. Ensure that the door is left open during grilling.
- \* If the cooling fan fails the grill will not work correctly. Contact your local Service Force Centre.

### **The oven temperature is too high or low.**

- \* Check that the recommended temperatures are being used (see page 26). Be prepared to adjust the temperature up or down by 10°C to achieve the results you want.
- \* Care should be taken if using an oven thermometer to check oven temperatures as they may be inaccurate.

The following factors should be considered.

- \* Ensure you purchase an accurate good quality instrument.
- \* Ovens will set about a set temperature and will not be constant.

### **If the oven is not cooking evenly.**

- \* Check that the appliance is correctly installed and that it is level.
- \* Check that the recommended temperatures and shelf positions are being used.

### **The oven light fails to illuminate.**

- \* Refer to page 32 'Replacing an Oven Light Bulb'.

### **The oven fan is noisy.**

- \* Check that bakeware and shelves are not vibrating in contact with the back panel in the oven.
- \* Check that the oven is level.

# SERVICE AND SPARE PARTS

In the event of your appliance requiring service, or if you wish to purchase spare parts, please contact your local Service Force Centre by telephoning:-

**0870 5 929929**

Your telephone call will be automatically routed to the Service Force Centre covering your post code area.

For the address of your local Service Force Centre and further information about Service Force, please visit the website at [www.serviceforce.co.uk](http://www.serviceforce.co.uk)

Before calling out an engineer, please ensure you have read the details under the heading "Something Not Working"?.

When you contact the Service Force Centre you will need to give the following details:

1. Your name, address and post code.
2. Your telephone number.
3. Clear and concise details of the fault.
4. The model and serial number of the appliance (found on the rating plate).
5. The purchase date.

**Please note that a valid purchase receipt or guarantee documentation is required for in-guarantee service calls.**

## CUSTOMER CARE DEPARTMENT

For general enquires concerning your Zanussi appliance, or for further information on Zanussi products, please contact our Customer Care Department by letter or telephone at the address below or visit our website at [www.zanussi.co.uk](http://www.zanussi.co.uk)

Customer Care Department  
Zanussi  
55 – 77 High Street  
Slough  
Berkshire  
SL1 1DZ  
0870 5 727727 (\*)

\*calls to this number may be recorded for training purposes.

## PEACE OF MIND FOR 24 MONTHS

### Standard guarantee conditions

We, Zanussi, undertake that if within 24 months of the date of the purchase this Zanussi appliance or any part thereof is proved to be defective by reason only of faulty workmanship or materials, we will, at our option repair or replace the same FREE OF CHARGE for labour, materials or carriage on condition that:

- The appliance has been correctly installed and used only on the electricity supply stated on the rating plate.
- The appliance has been used for normal domestic purposes only, and in accordance with the manufacturer's instructions.
- The appliance has not been serviced, maintained, repaired, taken apart or tampered with by any person not authorised by us.
- All service work under this guarantee must be undertaken by a Service Force Centre.
- Any appliance or defective part replaced shall become the Company's property.
- This guarantee is in addition to your statutory and other legal rights.

Home visits are made between **8.30am** and **5.30am** Monday to Friday. Visits may be available outside these hours in which case a **premium** will be charged.

### Exclusions

**This guarantee does not cover:**

- Damage or calls resulting from transportation, improper use or neglect, the replacement of any light bulbs or removable parts of glass or plastic.
- Costs incurred for calls to put right an appliance which is improperly installed or calls to appliances outside the United Kingdom.
- Appliances found to be in use within a commercial environment, plus those which are subject to rental agreements.
- Products of Zanussi manufacture which are not marketed by Zanussi.

### European Guarantee

If you should move to another country within Europe then your guarantee moves with you to your new home subject to the following qualifications:

- The guarantee starts from the date you first purchased your product.
- The guarantee is for the same period and to the same extent for labour and parts as exists in the new country of use for this brand or range of products.
- This guarantee relates to you and cannot be transferred to another user.
- Your new home is within the European Community (EC) or European Free Trade Area.
- The product is installed and used in accordance with our instructions and is only used domestically, i.e. a normal household.
- The product is installed taking into account regulations in your new country.

Before you move please contact your nearest Customer Care centre, listed below, to give them details of your new home. They will then ensure that the local Service Organisation is aware of your move and able to look after you and your appliances.

France	Senlis	+33 (0) 3 44 62 29 29
Germany	Nürnberg	+49 (0) 800 234 7378
Italy	Pordernone	+39 (0) 0434 39 4700
Sweden	Stockholm	+46 (0) 8 672 53 90
UK	Slough	+44 (0) 1753 219897

## IMPORTANT NOTICE

In line with our continuing policy of research and development, we reserve the right to alter models and specifications without prior notice.

This instruction booklet is accurate at the date of printing, but will be superseded if specifications or appearance are changed.

ZANUSSI  
55 – 77 HIGH STREET,  
SLOUGH,  
BERKSHIRE,  
SL1 1DZ  
TELEPHONE 0870 5 727727  
<http://www.zanussi.co.uk>  
Part Number: 311556305

© Electrolux plc 2002

 **From the Electrolux Group.** *The world's No.1 choice.*

The Electrolux Group is the world's largest producer of powered appliances for kitchen, cleaning and outdoor use. More than 55 million Electrolux Group products (such as refrigerators, cookers, washing machines, vacuum cleaners, chain saws and lawn mowers) are sold each year to a value of approx. USD 14 billion in more than 150 countries. Download from [www.SunAndHeat.com](http://www.SunAndHeat.com). All Manuals Search And Download.

## Free Manuals Download Website

<http://myh66.com>

<http://usermanuals.us>

<http://www.somanuals.com>

<http://www.4manuals.cc>

<http://www.manual-lib.com>

<http://www.404manual.com>

<http://www.luxmanual.com>

<http://aubethermostatmanual.com>

Golf course search by state

<http://golfingnear.com>

Email search by domain

<http://emailbydomain.com>

Auto manuals search

<http://auto.somanuals.com>

TV manuals search

<http://tv.somanuals.com>