

# ZANUSSI

## ELECTRIC HOB ZBE 602

INSTRUCTION BOOKLET

Please read this instruction booklet before using the appliance

Download from [www.somanuals.com](http://www.somanuals.com). All Manuals Search And Download.

# Important Safety Information



**You MUST read these warnings carefully before installing or using the hob.  
If you need assistance, contact our Customer Care Department  
on 01635 521313**

## **Installation**

- This hob must be installed by qualified personnel, according to the manufacturer's instructions and to the relevant British Standards.
- Remove all packaging before using the hob.
- Ensure that the electrical supply complies with the type stated on the rating plate, located on the bottom of the hob.
- Do not attempt to modify the hob in any way.

## **Child Safety**

- This hob is designed to be operated by adults. Do not allow children to play near or with the hob.
- The hob gets hot when it is in use. Children should be kept away until it has cooled.
- Children can also injure themselves by pulling pans or pots off the hob.

## **During Use**

- This hob is intended for domestic cooking only. It is not designed for commercial or industrial purposes.
- Do not use this hob if it is in contact with water. Do not operate the hob with wet hands.
- Ensure the control knobs are in the 'OFF' position when not in use.
- When using other electrical appliances, ensure the cable does not come into contact with the hot surfaces of the hob.
- Unstable or misshapen pans should not be used on the hob as unstable pans can cause an accident by tipping or spillage.
- Never leave the hob unattended when cooking with oil and fats.

- Never use plastic or aluminium foil dishes on the hob.
- Perishable food, plastic items and aerosols may be affected by heat and should not be stored above or below the hob unit.

## **Service**

- This hob should only be repaired or serviced by an authorised Service Engineer and only genuine approved spare parts should be used.

## **Environmental Information**

- After installation, please dispose of the packaging with due regard to safety and the environment.
- When disposing of an old appliance, make it unusable, by cutting off the cable.

**Keep this instruction book for future reference and ensure it is passed on to any new owner.**

# Contents

## For the User

<b>Description of the Hob</b>	<b>Page 5</b>
<b>Operation</b>	<b>Page 6</b>
<b>Maintenance and Cleaning</b>	<b>Page 8</b>
<b>Something Not Working?</b>	<b>Page 9</b>
<b>Service and Spare Parts</b>	<b>Page 9</b>
<b>Guarantee Conditions</b>	<b>Page 10</b>

## For the Installer

<b>Technical Data</b>	<b>Page 11</b>
<b>Important Safety Requirements</b>	<b>Page 11</b>
<b>Installation</b>	<b>Page 13</b>
<b>Building In</b>	<b>Page 13</b>
<b>Electrical Connection</b>	<b>Page 14</b>
<b>Wiring Diagram</b>	<b>Page 15</b>

## Guide to Use the instructions

The following symbols will be found in the text to guide you throughout the Instructions:



Safety Instructions



Step by step instructions for an operation

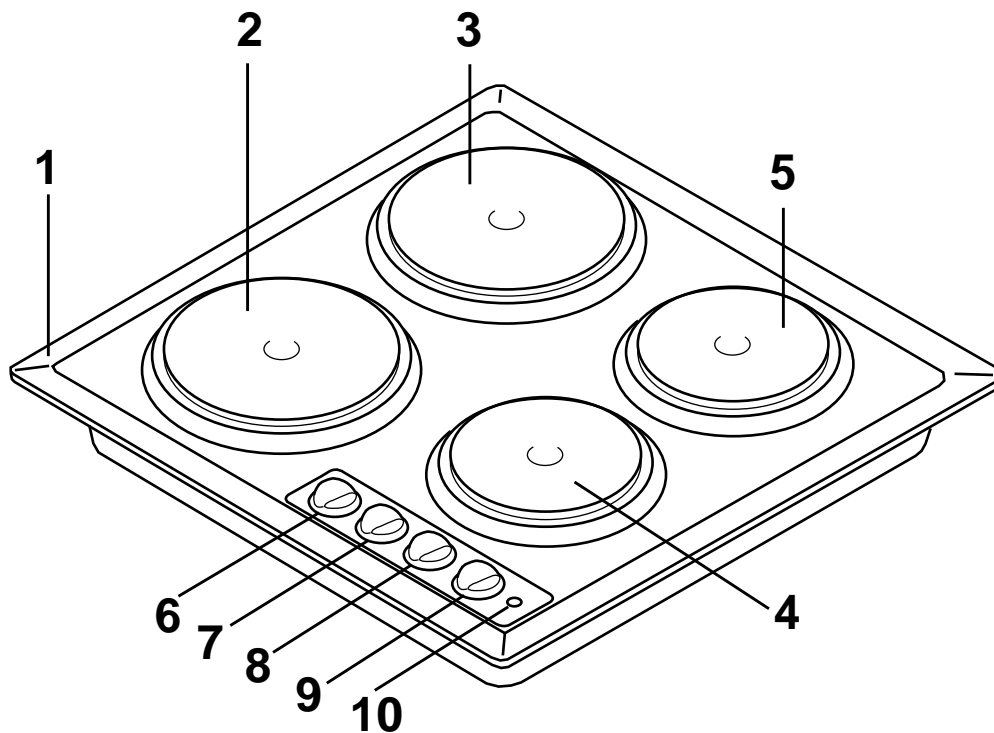


Hints and Tips



This appliance is manufactured according to the following EEC directives:  
73/23 EEC - 90/683 EEC - 93/68 EEC -  
89/336 EEC current edition.

# Description of the Hob



## 1. Hob Top

- 2. Rapid Hotplate - 2090 W/180 mm dia.
- 3. Rapid Hotplate - 2090 W/180 mm dia.
- 4. Rapid Hotplate - 1570 W/145 mm dia.
- 5. Rapid Hotplate - 1570 W/145 mm dia.
- 6. Control knob for back left hotplate
- 7. Control knob for front left hotplate
- 8. Control knob for front right hotplate
- 9. Control knob for back right hotplate
- 10. Electric Hotplates Control Light

## INSTALLATION



*The hob must be installed according to the instructions supplied.*

*The hob must be installed by **qualified personnel** to the relevant British Standards.*

*Please, ensure that, once the hob is installed, it is easily accessible for the engineer in the event of a breakdown.*

## WHEN THE HOB IS FIRST INSTALLED



*Once the hob has been installed, it is important to remove any protective materials, which were put on in the factory.*

# Operation

## ELECTRIC HOTPLATES

To switch on a hotplate, turn the relevant control knob anticlockwise to the required heat setting.

The control knob is numbered 1 - 6

0 - OFF

1 - Minimum

6 - Maximum.

The hob has four rapid hotplates:

The rapid hotplates are indicated by a red dot, and will heat up more quickly than a normal plate. As the red dots are painted on the plate, they may deteriorate during use and even disappear completely after a period of time. **This will not affect the performance of the hob.**

**i** It is important to note that the plate may smoke and produce a slightly unpleasant odour when used for the first time. This is quite normal and will disappear after a few minutes.

Suggestions for the correct setting of the plates are given in the following table.

OFF	0	
Very Gentle	1	To keep food warm To melt butter and chocolate
Gentle	2	To prepare cream-sauces, stews and milk puddings or to fry eggs
Slow	3	Dried vegetables, frozen food, fruit, boiling water or milk
Medium	4	Boiled potatoes, fresh vegetables, pâtés, soups, broths, pancakes or fish
High	5	Larger stews, meat roll, fish, omelettes, steaks
Fast	6	Steaks, escalopes and frying.

## Hints and Tips

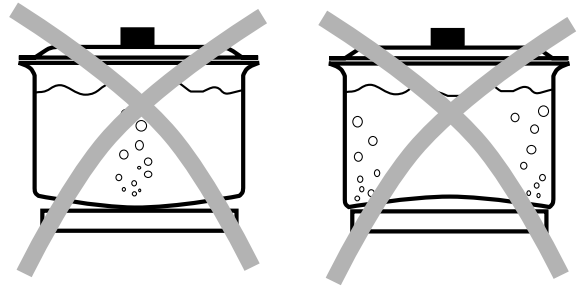
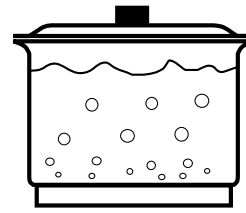
Saucepans for use on solid plates should have several characteristics:

- They should be fairly heavy duty
- They should fit the heat area exactly, or be slightly larger for efficient use, NEVER smaller.
- They should have a flat base to ensure good contact with the plate.

This is particularly important when using pans for high temperature frying or pressure cooking.

As soon as liquid starts boiling, turn down the plate control knob so that it will barely keep the liquid simmering.

You can switch off the plate a short while before you finish cooking, and the final stage will be completed on the accumulated heat. Similarly, stews etc. cooked in well covered saucepans cook at lower temperature which is more economical.



*Ensure pans are large enough to avoid liquids being split onto the plates.*

*Never leave the plates on without a pan on them or with an empty pan on them.*

*Take care never to lean or reach over a hot electric plate. Always point pan handles inward or over the work surface next to the hob to avoid accidentally knocking over a pan as you pass by.*

*Take care when frying food in hot oil or fat, as the overheated splashes could easily ignite.*

*If the control knobs become difficult to turn, please contact your local Zanussi Service Force Centre.*

# Maintenance and Cleaning



*Before any maintenance or cleaning can be carried out, you must **DISCONNECT** the hob from the electricity supply.*

The hob is best cleaned whilst it is still warm, as spillage can be removed more easily than if it is left to cool.

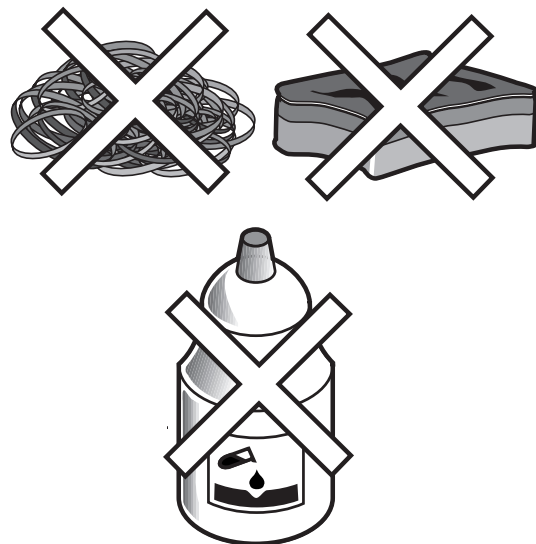
## The Hob Top

Regularly wipe over the hob top using a soft cloth well wrung out in warm water to which a little washing up liquid has been added. Avoid the use of the following:

- household detergent and bleaches;
- impregnated pads unsuitable for non-stick saucepans;
- steel wool pads;
- bath/sink stain removers.

Should the hob top become heavily soiled, it is recommended that a cleaning product such as Hob Brite or Bar Keepers Friend is used.

The control knobs may be removed by carefully pulling them upward for easier cleaning.



## The Hotplates

Spills onto the actual plate should be removed using warm water and a soft brush, nylon or plastic scourer.

To keep the plates looking as new, hotplate conditioner can be purchased from most hardware stores, e.g. "4 Hob" by HomeCare Products (follow the manufacturer's instruction for use).

Alternatively, wipe the plates with a drop of olive oil on a kitchen towel to avoid rust. It is important to note that the plate will smoke a little and produce a slightly unpleasant odour when next used.

Failure to clean and condition hotplates may lead to rust and corrosion forming on the surface.

# Something Not Working?

If the hob is not working correctly, please carry out the following checks before contacting your local Zanussi Service Force Centre.

**IMPORTANT:** If you call out an engineer to a fault listed below, or to repair a fault caused by incorrect use or installation, a charge will be made even if the appliance is under guarantee.

<b>SYMPTOM</b>	<b>SOLUTION</b>
■ The plate does not heat up.	◆ Check that the unit is plugged in and the electrical supply is switched on ◆ Check that the RCCB has not tripped (if fitted) ◆ Check the mains fuse has not blown ◆ Check the correct control knob has been turned.
■ The plate is not giving satisfactory results	◆ Check the plate is clean and dry ◆ Check the cooking pan is the correct size for the plate. ◆ Check the cooking pan has a flat bottom ◆ Check the setting is correct for the type of cooking.

If after all these checks, the oven still does not work, contact your local Zanussi Service Force Centre. When you contact them, they will need the following information:

1. Your name, address and post code.
2. Your telephone number
3. Clear and concise details of the fault
4. The model and the serial number (which can be found on the rating plate)
5. Date of purchase

Please note that it will be necessary to provide proof of purchase for any in-guarantee service calls.

**In-guarantee customers should ensure that the above checks have been made as the engineer will make a charge if the fault is not a mechanical or electrical breakdown.**



# Service and Spare Parts



If you require spare parts or an engineer contact your local Service Force Centre by telephoning:

**0870 5 929929**

Your call will be routed to your local Service Force Centre. For further details, please see the accompanying Customer Care Booklet.

## CUSTOMER CARE

For general enquiries concerning your Zanussi appliance, contact our Customer Care Department by letter or telephone as follows:

**Customer Care Department**  
**ZANUSSI**  
Zanussi House  
Hambridge Road  
Newbury, Berks, RG14 5EP  
Tel: 01635 - 521313

# Peace of Mind for 24 Months

## ZANUSSI GUARANTEE CONDITIONS

We, Zanussi, undertake that if, within 24 months of the date of the purchase, this Zanussi appliance or any part thereof is proved to be defective by any reason only of faulty workmanship or materials, we will, at our option, repair or replace the same **FREE OF ANY CHARGE** for labour, materials or carriage on condition that:

- \* The appliance has been correctly installed and used only on the gas and electricity supply stated on the rating plate.
- \* The appliance has been used for normal domestic purpose only, and in accordance with the manufacturer's instructions.
- \* The appliance has not been serviced, maintained, repaired, taken apart or tampered with by any person not authorised by us.
- \* All service work under this guarantee must be undertaken by a Zanussi Service Centre.
- \* Any appliance or defective part replaced shall become the Company's property.
- \* This guarantee is in addition to your statutory and other legal rights.

Home visits are made between **8.30am and 5.30pm** Monday to Friday. Visits may be available outside these hours, in which case a **premium** will be charged.

## Exclusions

### This guarantee does not cover:

- \* Damage or calls resulting from transportation, improper use or neglect, the replacement of any light bulbs or removable parts of glass or plastic.
- \* Costs incurred for calls to put right an appliance which is improperly installed or calls to appliance outside the United Kingdom.

- \* Appliances found to be in use within a commercial or similar environment, plus those which are the subject to rental agreements.
- \* Products of Zanussi manufacture which are not marketed by Zanussi.

## European Guarantee

If you should move to another country within Europe then your guarantee moves with you to your new home subject to the following qualifications:

- \* The guarantee starts from the date you first purchased your product.
- \* The guarantee is for the same period and to the same extent for labour and parts as exist in the new country of use for this brand or range of products.
- \* This guarantee relates to you and cannot be transferred to another user.
- \* Your new home is within the European Community (EC) or European Free Trade Area.
- \* The product is installed and used in accordance with our instructions and is only used domestically, i.e. a normal household
- \* The product is installed taking into account regulations in your new country.

Before you move, please contact your nearest Customer Care centre, listed below, to give them details of your new home. They will then ensure that the local Service Organisation is aware of your move and able to look after you and your appliances.

France	Senlis	+33 (0)3 44 62 29 99
Germany	Nürnberg	+49 (0)911 323 2600
Italy	Pordenone	+39 (0)1678 47053
Sweden	Stockholm	+46 (0)8 738 79 50
UK	Newbury	+44 (0)1635 521 313

# Instructions for the Installer

## Engineer technical data

### OVERALL DIMENSIONS

Width: 580 mm.  
Depth: 510 mm.  
Height: 88 mm.  
Weight: 11 Kg.

### CUT OUT DIMENSIONS

Width: 560 mm.  
Depth: 480 mm.  
Thickness: 30 mm.

### SUPPLY CONNECTIONS

#### Electric:

230-240V 50Hz AC electrical supply.

This appliance complies with the EEC Directive No 89/336, concerning suppression of radio electrical interference.

### Heating elements Ratings

Rapid back left Hotplate Ø 180 mm	2090 W
Rapid back right Hotplate Ø 145 mm	1570 W
Rapid front right Hotplate Ø 145 mm	1570 W
Rapid front left Hotplate Ø 180 mm	2090 W
Total rating	7320 W

## Important safety requirements

This hob must be installed in accordance with the IEE Wiring Regulations (Current Edition).

Detailed recommendations are contained in the following British Standards Codes Of Practice: B.S. 6172/ B.S. 5440, Par. 2 and B.S. 6891 Current Editions.

## Location

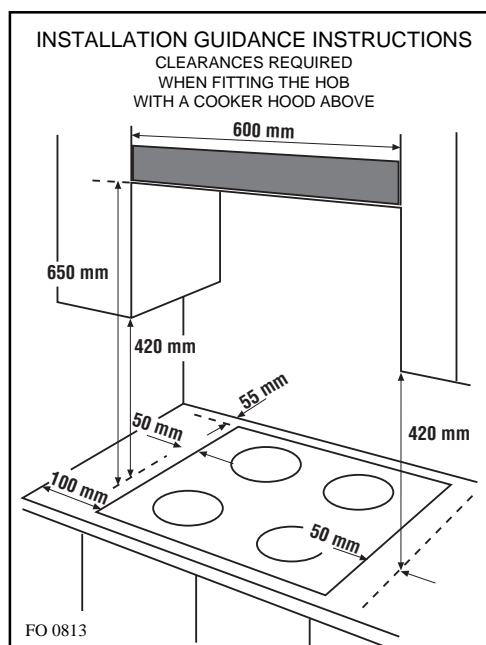
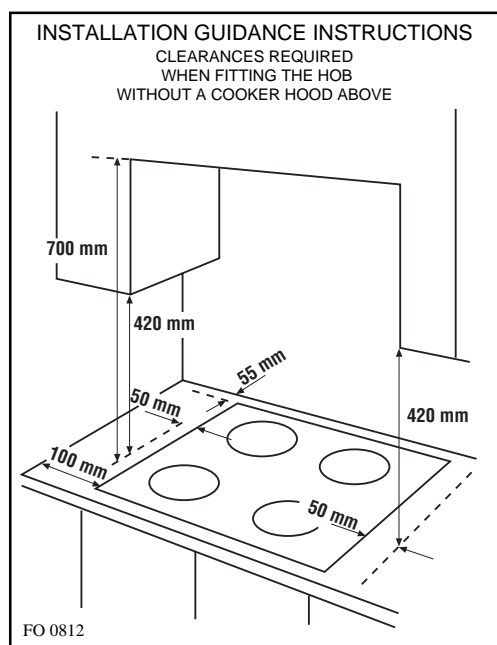
This hob has been registered as a "Class X" appliance according to Fire Risk Regulations. Minimum distances detailed below must be observed.

The hob may be located in a kitchen, a kitchen/diner or bed sitting room, but not in a bathroom or shower room.

Before making the cut out in the worktop ensure that there is a minimum distance of 55 mm. between the rear edge of the hob and the wall. A minimum distance of 100 mm. must be left between the side edges of the hob and any adjacent cabinets or walls.

The minimum distance combustible material can be fitted above the hob in line with the edges of the hob is 420 mm. If it is fitted below 420 mm. a space of 50 mm. must be allowed from the edges of the hob.

The minimum distance combustible material can be fitted directly above the hob is 700 mm.



# Installation

## IMPORTANT



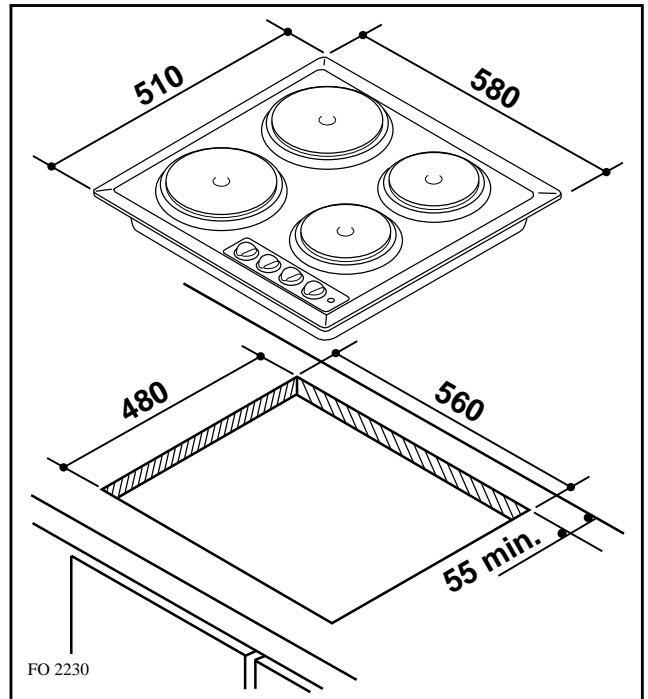
*This hob must be installed by **qualified personnel** to the relevant British Standards.*

*The manufacturer will not accept liability, should the above instructions or any of the other safety instructions incorporated in this book be ignored.*

## Cut Out Size

The dimensions of the cut-out are given in the diagram.

## Rectangular cut-out size for hob

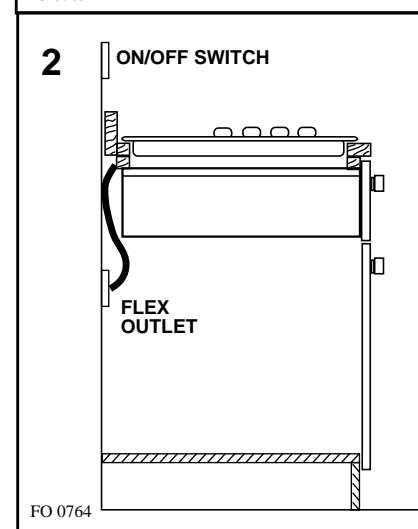
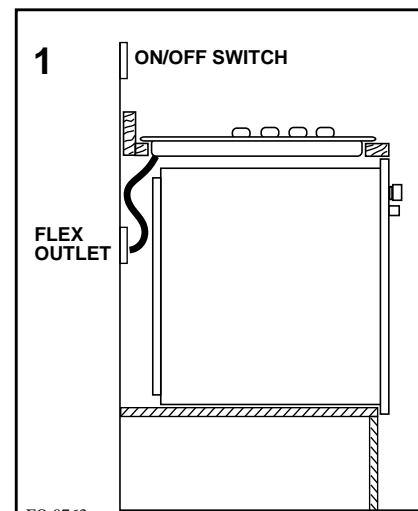


# Building In

## Building over a cupboard or drawer

If the hob is to be installed above a cupboard or drawer it will be necessary to fit a heat resistant board below the base of the hob on the underside of the work surface.

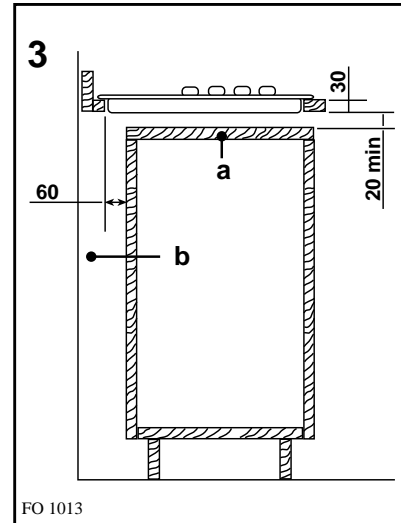
It is also recommended to carry out the electrical connection to the hob as shown in diagrams 1 and 2.



## Building over a kitchen unit with door

Proper arrangements must be taken in designing the furniture unit, in order to avoid any contact with the bottom of the hob which can be hot when in operation. The recommended solution is shown in diagram 3.

The panel fitted under the hob ("a") should be easily removable to allow easy access if technical assistance is needed. The space behind the kitchen unit ("b") can be used for connections.



FO 1013

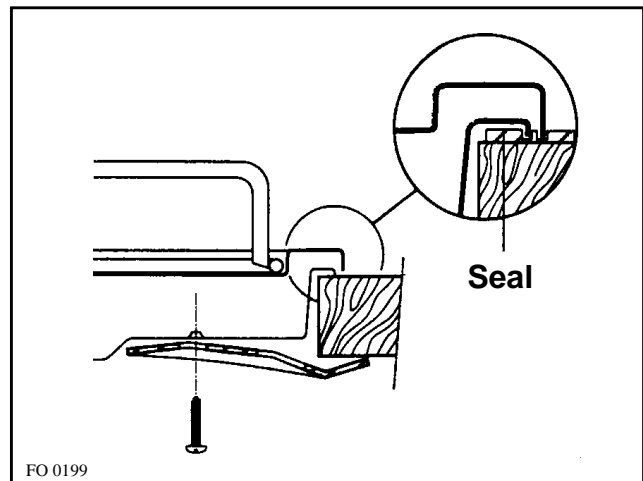
Dimensions are given in mm.

## Fitting the hob to the worktop

Before fitting the hob into the cut out, a sealing gasket supplied with the hob must be fitted to the edge of the cut out. It is essential that no gaps are left in this seal in order to prevent spillage near the hob seeping into the cabinet below.

- 1) Place the sealing gasket all around the edge of the cut out.
- 2) Place the hob into the cut out and secure it by means of the relevant fixing clamps and screws, as shown in the diagram.
- 3) Remove the excess seal

The edge of the hob forms a double seal which prevents the ingress of liquids.



FO 0199

# Electrical connections



Any electrical work required to install this hob should be carried out by a qualified electrician or competent person, in accordance with the current regulations.

## THIS HOB MUST BE EARTHED.

**The manufacturer declines any liability should these safety measures not be observed.**

**This hob is designed to be connected to a 230-240V 50Hz AC electrical supply.**

Before switching on, make sure the electricity supply voltage is the same as that indicated on the hob rating plate. The rating plate is located on the bottom of the hob. A copy is attached on the back cover of this book.

The hob is supplied without supply cord. A 3 core flexible supply cord must be fitted, in accordance with the specification given in the relevant tables.



- 1) Remove the mains terminal cover plate from the underside of the hob, to expose the mains terminal block.
- 2) Loosen the two cable clamp screws and lift the top section of the clamp enough to allow the cable to be passed through.
- 3) Connect the red (live) wire to the terminal which is marked with the number 1.
- 4) Connect the black (neutral) wire to the terminal which is marked with the number 4.
- 5) After fitting a green or yellow/green sleeve over the bare copper wire (earth wire), connect the exposed end to the terminal which is marked with the earth symbol  $\perp$  or with the number 5.

### NOTE:

The earth wire should be about 2 cm. longer than the live and neutral wires.

- 6) Secure the cable by means of the clamp screws and refit the terminal block cover.

The hob should be connected to a double pole switch with a minimum gap of 3 mm. between the switch contacts and of a type suitable for the required load in compliance with the current electric regulations. The switch should be sited within 2m of the hob and be easily accessible upon completion of the installation.

The switch must not break the yellow and green earth cable at any point.



Ensure that the hob supply cord does not come into contact with surfaces with temperatures higher than 50 deg. C.

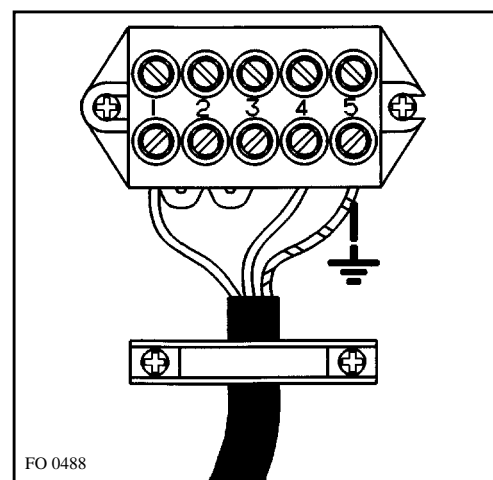
## Supply Cable Specifications

### For Uk use only

Connection via	Min. size Cable/flex	Cable / flex type	Fuse
• Cooker Control Circuit	6 mm <sup>2</sup>	PVC/PVC twin and earth	30 A

### For Europe use only

Min. size Cable/flex	Cable / flex type	Fuse
4 mm <sup>2</sup>	H05 RR-F	30 A



FO 0488

## Free Manuals Download Website

<http://myh66.com>

<http://usermanuals.us>

<http://www.somanuals.com>

<http://www.4manuals.cc>

<http://www.manual-lib.com>

<http://www.404manual.com>

<http://www.luxmanual.com>

<http://aubethermostatmanual.com>

Golf course search by state

<http://golfingnear.com>

Email search by domain

<http://emailbydomain.com>

Auto manuals search

<http://auto.somanuals.com>

TV manuals search

<http://tv.somanuals.com>