

35668-4701

INSTRUCTION BOOKLET

ZANUSSI

**GAS HOB
ZBG 509 SS**

WARNINGS AND GUIDANCE

It is most important that this instruction book should be retained with the appliance for future reference. Should the appliance be sold or transferred to another owner, or should you move house and leave the appliance, always ensure that the book is left with the appliance in order that the new owner can get to know the functions of the appliance and the relevant warnings.

These warnings are provided in the interest of safety. You MUST read them carefully before installing or using the appliance.

- This appliance is designed to be operated by adults. Children should not be allowed to tamper with the controls or play with the product.
- Any installation and electrical work must be undertaken by a qualified electrician or competent person
- It is dangerous to alter the specifications or alter the product in any way.
- Do not use this appliance if it is in contact with water. Do not operate the appliance with wet hands.
- Always ensure that the control knobs are in the 'OFF' position when not in use.
- Hobs become very hot with use and retain their heat for a long period of time after use. You must therefore take great care when using the appliance. Children should be supervised at all times and should not be allowed to touch the hot surface or be in the vicinity when in use or until the appliance has cooled after use. Children also can injure themselves by pulling pans or pots off the hob.
- The cooking zones heat up quickly when they are turned on. Turn them on only when you have placed a saucepan onto the cooking area.
- If you use an electric socket close to the hob, take care when using an electrical appliance that the cable does not touch the hot surface of the hob.
- Do not leave items on the hob surface. Any item you place on the hob could be damaged if the hob is accidentally turned on.
- A protective film has been placed over the control panel of the hob to avoid damage during transportation. **This film must be removed before using your hob.** The protective film is easily peeled off, but should a small amount of glue remain on the control panel this can be removed by rubbing gently with a soft cloth dampened with white spirit.
- Unstable or misshapen pans should not be used on the hob as unstable pans can cause an accident by tipping or spillage.
- Never leave the hob unattended when working with oil and fats because of the danger of fire.
- Never use plastic or aluminium foil dishes on the hob surface.
- Always remove any spillage from the surface of the hob immediately. Do not allow spills to dry and harden.
- If you use a saucepan which is smaller than the heated area of the hob, the handle may become hot. Please, ensure that you protect your hands before touching the handle.
- Certain food, plastic items and aerosols can be affected by heat and should NOT be stored above or below the hob unit.
- Under no circumstances should you attempt to repair the appliance yourself. Repairs carried out by inexperienced persons may cause injury or more serious malfunctioning. Refer to your local Zanussi Service Force Centre. Always insist on genuine Zanussi spare parts.

You safety is of paramount importance.

Therefore, if you are unsure about any of the meanings of these WARNINGS, contact the Customer Care Department:

Telephone: 01635 521313

CONTENTS

Specifications	Page	4
Installation	Page	5
Electrical Connections	Page	5
Use and Care	Page	6
Operation	Page	7
Maintenance and cleaning	Page	7
Servicing	Page	8
Peace of Mind for 24 Months	Page	9

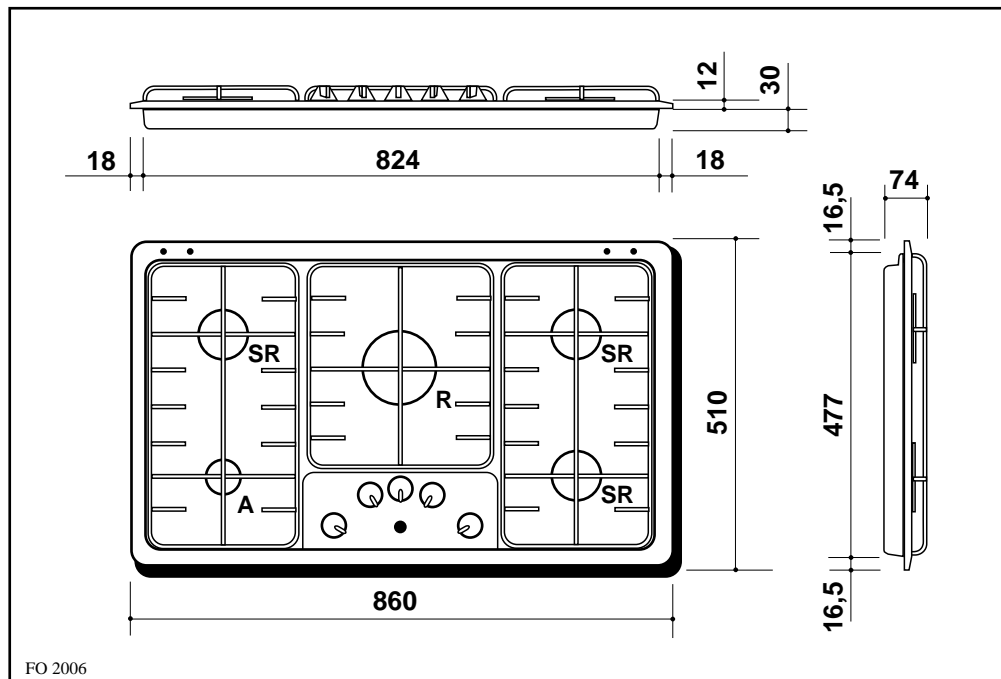
SPECIFICATIONS

DIMENSIONS

Height (overall): 74 mm. (see drawing)
Depth: 510 mm.
Width: 860 mm.
Automatic Taps Ignition Switches: **YES**

Gas Hob Burners:

1 Rapid Burner (Central)
1 Auxiliary Burner (Front/Left)
3 Semirapid Burners (Rear/Left - Rear/Right - Front/Right)



R = Rapid Burner
A = Auxiliary Burner
SR = Semirapid Burners

INSTALLATION

It is mandatory that all operations required for the installation are carried out by a **Competent Gas Installer** (CORGI registered installers normally meet this criteria), and in accordance with existing rules and regulations.

The relevant instructions are to be found in the separate installation manual.

Please, ensure that, once the appliance is installed, it is easily accessible for the engineer in the event of a breakdown.

WHEN THE HOB IS FIRST INSTALLED

Once the hob has been installed, it is important to remove any protective materials, which were put on in the factory.

ELECTRICAL CONNECTIONS

WARNING: THIS APPLIANCE MUST BE EARTHED.

The manufacturer declines to accept any liability should this safety measure not be observed.

If the plug fitted to your appliance is not suitable for the socket outlet, it must be cut off and the appropriate plug must be fitted.

The cut off plug should be disposed of to prevent the hazard of electric shocks, should it be plugged into a 13 Amp socket in another part of your home.

IMPORTANT

The wires in this mains lead are coloured in accordance with the following code:

Green and Yellow - Earth
Blue - Neutral
Brown - Live

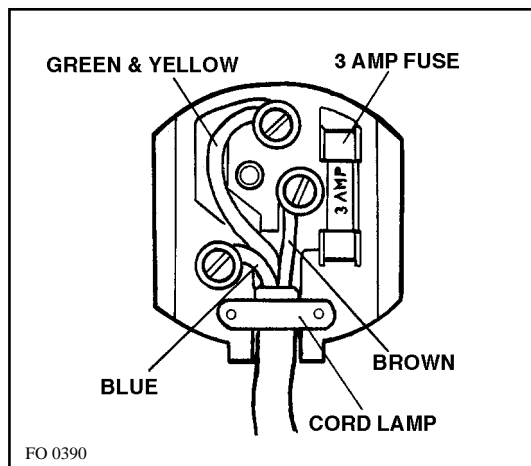
If you fit your own plug, the colours of the wires in the mains lead of your appliance may not correspond with the markings identifying the terminals in your plug. Proceed as follows:

- connect the green and yellow wire (earth wire) to the terminal in the plug which is marked with the letter 'E' or the earth symbol or coloured green, or green and yellow;
- connect the blue wire (neutral) to the terminal in the plug which is marked with the letter 'N' or coloured black;
- connect the brown wire (live) to the terminal in the plug which is marked with the letter 'L' or coloured red.

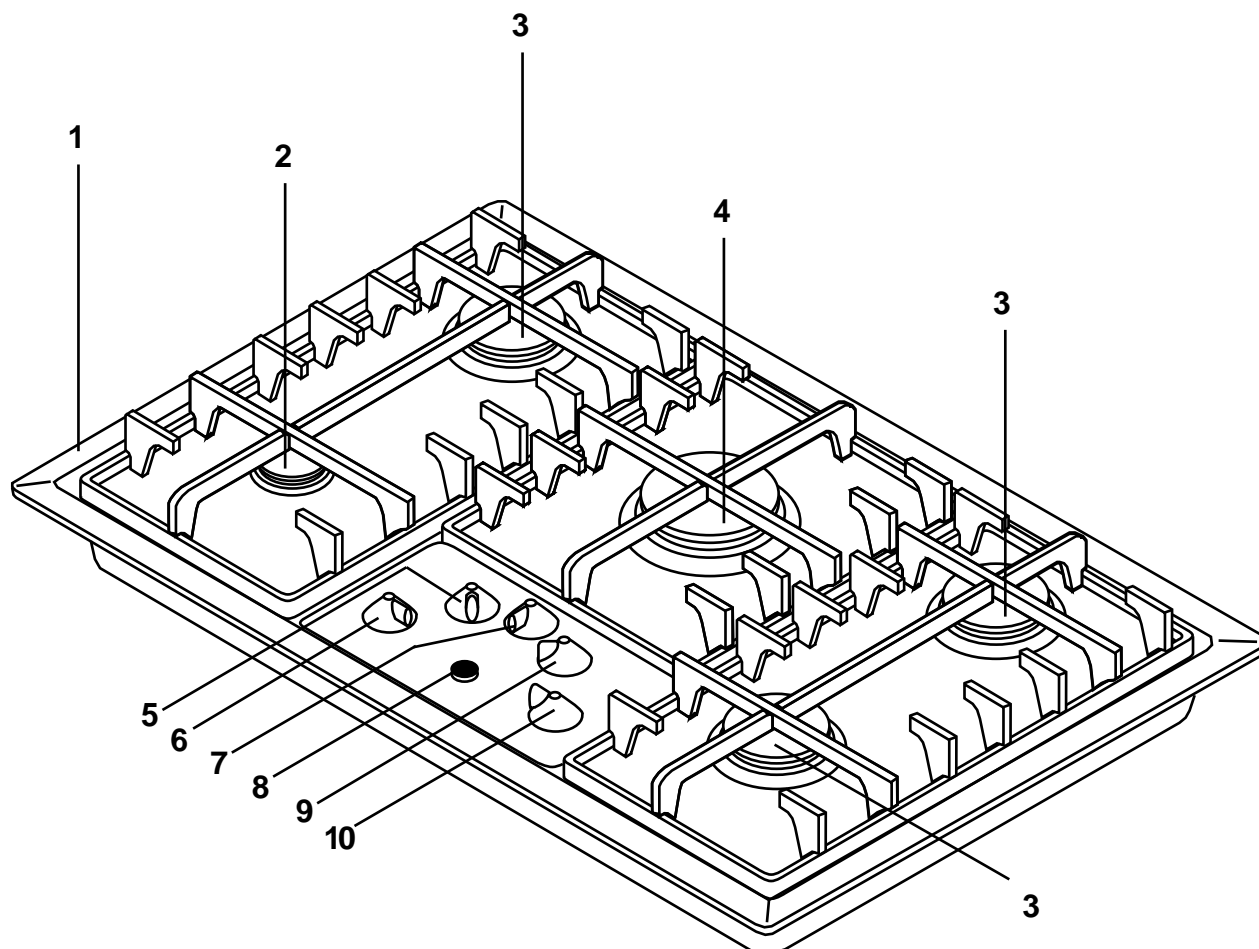
The plug moulded on to the lead incorporates a fuse. For replacement, use a 3 Amp BS1362 fuse. Only ASTA/BSI approved fuses should be used. The fuse cover/carrier must be replaced in the event of changing a fuse.

The plug must not be used if the fuse cover/carrier is lost.

A replacement cover/carrier must be obtained from your local Zanussi Service Force Centre whose address and telephone number is listed in the directory toward the back of this instruction book, or you can find your local service centre by looking in your telephone directory under 'Z'.



USE AND CARE

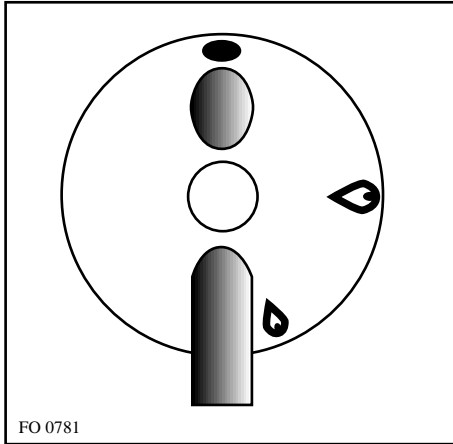


1. **Hob Top**
2. Auxiliary Burner
3. Semirapid Burners
4. Rapid Burner
5. Control knob for back left burner (semirapid)
6. Control knob for front left burner (auxiliary)
7. Control knob for central burner (rapid)
8. Ignition pushbutton
9. Control knob for back right burner (semirapid)
10. Control knob for front right burner (semirapid)

OPERATION

HOB BURNERS

To light a burner, turn the relevant knob anticlockwise to maximum position and then depress the ignition pushbutton marked by a small electric spark symbol. Then adjust the flame as required.



To ensure maximum burner efficiency, it is strongly recommended that you use only pots and pans with a bottom fitting the size of the burner used, so that flame will not spread beyond the bottom of the vessel. It is also advisable, as soon as a liquid starts boiling, to turn down the flame so that it will barely keep the liquid simmering.

IMPORTANT

Be very careful when frying food in hot oil or fat, as the overheated splashes could easily ignite.

IMPORTANT

If the control knobs become difficult to turn, please contact your local Zanussi Service Centre.

MAINTENANCE AND CLEANING

Before any maintenance or cleaning can be carried out, you must **DISCONNECT** the appliance from the electricity supply.

Cleaning your Gas Hob

The hob is best cleaned whilst it is still warm, as spillage can be removed more easily if it is left to cool.

The pan supports and burner crowns can be lifted off for cleaning. Use hot detergent water and remove stubborn marks with a mild paste cleaner. A well moistened soap impregnated steel wool pad can be used

with caution, if the marks are particularly difficult to remove. The burner crown may lose its matt surface after several cleanings but this will in no way impair its function.

After cleaning, be sure to wipe dry with a soft cloth.

The pan supports are dishwasher proof. If washing them by hand, take care when drying as the enamelling process occasionally leaves rough edges.

SERVICING

If you require service or spare parts, contact your local Zanussi Service Force Centre. Please, carry out the following checks before contacting your local Zanussi Service Force Centre.

There is no spark when lighting the gas:

- Check that the unit is plugged in and the electrical supply is switched on
- Check that the RCCB has not tripped (if fitted)
- Check the mains fuse has not blown

The gas ring burns unevenly:

- Check the burner cover has been replaced correctly, e. g. after cleaning
- Check the main nozzle is not blocked and the burner ring is clear of food particles

If after carrying out the above checks your appliance is still faulty, contact your local Zanussi Service Force Centre, whose address and telephone number can be found in the accompanying customer care booklet, and also in your local telephone directory under 'Z'. Please, ensure you give the model and serial number of the appliance.

In-guarantee customers should ensure that the above checks have been made as the engineer will make a charge if the fault is not a mechanical or electrical breakdown. Please, note that proof of purchase is required for any in-guarantee service call.

Customer Care

If you have a general enquiry concerning your Zanussi appliance or for information on our full appliance range, please contact our customer care department by letter or telephone as follows:

Customer Care Department
Zanussi Limited
Zanussi House
Hambridge Road
Newbury
Berkshire
RG14 5EP

Tel: 01635-521313

PEACE OF MIND FOR 24 MONTHS

Zanussi Standard Guarantee Conditions

This guarantee is in addition to your statutory and other legal rights.

We, Zanussi Ltd, undertake that, if, within the 24 months of the date of the purchase, this ZANUSSI appliance or any part thereof is proved to be defective by any reason only of faulty workmanship or materials, we will, at our option, repair or replace the same FREE OF ANY CHARGE for labour, materials or carriage on condition that:

- * The appliance has been correctly installed and used only on the gas and electricity supply stated on the rating plate.
- * The appliance has been used for normal domestic purpose only, and in accordance with the manufacturer's operating and maintenance instructions.
- * The appliance has not been serviced, maintained, repaired, taken apart or tampered with by any person not authorised by us.
- * The appliance is still in the possession of the original purchaser.

All service work under this guarantee must be undertaken by a Zanussi Service Force Centre.

Home visits are made between **8.30am** and **5.30pm** Monday to Friday.

Visit may be available **outside these hours** in which case **a premium will be charged**.

Any appliance or defective part replaced shall become our property.

EXCLUSIONS

This guarantee does not cover:

- * Damage or calls resulting from transportation, improper use or neglect, the replacement of any light bulbs or removable parts of glass or plastic.
- * Costs incurred for calls to put right machines improperly installed or calls to machines outside the UK and the Republic of Ireland.
- * Appliances found to be in use within a commercial or similar environment, plus those which are the subject to rental agreements.
- * Products of Zanussi manufacture which are NOT marketed by Zanussi Ltd.

EU Countries - The standard guarantee is applicable but subject to owner's responsibility and cost to ensure the appliance meets the standards set by the country to which the product is taken. The Zanussi Company in the country concerned will be pleased to advise further.

Sight of your purchase receipt will be required by them.

Free Manuals Download Website

<http://myh66.com>

<http://usermanuals.us>

<http://www.somanuals.com>

<http://www.4manuals.cc>

<http://www.manual-lib.com>

<http://www.404manual.com>

<http://www.luxmanual.com>

<http://aubethermostatmanual.com>

Golf course search by state

<http://golfingnear.com>

Email search by domain

<http://emailbydomain.com>

Auto manuals search

<http://auto.somanuals.com>

TV manuals search

<http://tv.somanuals.com>