

INSTRUCTION BOOK DEPT.
LIBRARY
MASTER COPY

ZANUSSI

**Instructions
for the use and care of
ZF67/35E - ZF67/35
Z20/9 - Z21/10PR
ZV21/10R-ZC21/10R
ZG21/10R-ZB21/10R
refrigerator/freezer**

Installation

Warning

If you are discarding an old appliance that has a lock or catch on the door, please ensure that this is made unusable to prevent young children getting trapped inside.

Electricity Supply

The appliance is for operation on a 220/240 V. 50 Hz supply, so be sure that your electricity supply voltage is within this range which is also marked on the nameplate located inside the cabinet.

Earthing

WARNING: THIS APPLIANCE MUST BE EARTHED. The manufacturer declines any liability should this safety measure not be observed.

If the plug that is fitted to your appliance is not suitable for your socket outlet, it must be cut off and the appropriate plug fitted.

The cut off plug should be disposed of to prevent the hazard of electric shocks in case it should be plugged into a 13 Amp socket in another part of your home.

Electrical connection

IMPORTANT: The wires in this mains lead are coloured in accordance with the following code:

GREEN AND YELLOW - EARTH
BLUE - NEUTRAL
BROWN - LIVE

If you fit your own plug, the colours of the wires in the mains lead of your appliance may not correspond with the markings identifying the terminals in your plug, this is what you have to do: Connect the green and yellow (earth) wire to the terminal in the plug which is marked with the letter "E" or the earth symbol \perp , or coloured green, or green and yellow.

Connect the blue (neutral) wire to the terminal in the plug which is marked with the letter "N" or coloured black.

Connect the brown (live) wire to the terminal which is marked with the letter "L" or coloured red.

The plug moulded on to the cord incorporates a fuse. For replacement use a 13 Amp BS 1362 fuse. Only ASTA approved fuses should be used.

The fuse cover/carrier must be replaced in the event of changing fuse.

The right fuse cover/carrier colour is the one shown by the coloured insert at the base of the plug or is the colour of the inscription at the base of the plug.

The plug must not be used if the fuse cover/carrier is lost.

A replacement cover/carrier must be obtained from Zanussi Service Agents whose addresses are listed on the attached "Zanussi Service and Spares Nationwide".

THIS APPLIANCE COMPLIES WITH E.E.C. DIRECTIVE NO. 82/499 OF 7.6.82 RELATIVE TO RADIO INTERFERENCE SUPPRESSION.

Some models have the main terminal board of the type shown in fig.1. To gain access to the terminals of the supply cable, unplug appliance from wall socket and remove the lid from the terminal board by releasing the two catches "A" and "B", with the aid of a small blade screwdriver (Fig.1).

Location

Place the appliance away from all heat sources, such as: radiators, heating stoves, direct sunlight, etc. Best results are obtained with a room temperature ranging between +16°C and +32°C (for "class N" appliances).

Make sure that there is nothing at the back, at the top and at the bottom of the appliance to obstruct air circulation.

For a more efficient operation of the appliance, the minimum distance between the top of the appliance and other overhanging kitchen furniture, if any, should be at least 100 mm (see Fig. 2A).

However, the best solution would be that shown in Fig. 2B with no overhanging furniture.

Two adjustable feet at the cabinet base make it possible to accurately level the appliance.

Rear spacers

In the plastic envelope containing the Operating Instructions are also included two wall spacers to be fitted into the special openings provided on the back of the appliance.

Push-fit the spacers into the openings, making sure that arrow A is positioned as per Fig. 3 and then turn them through 45° until they lock in (arrow in vertical position).

Before using

Remove all securing tapes. Wash inside the appliance with lukewarm water and a little bicarbonate of soda (one teaspoonful to one quart of water).

Do not use soap or detergent as the smell might linger and taint food. Dry thoroughly.

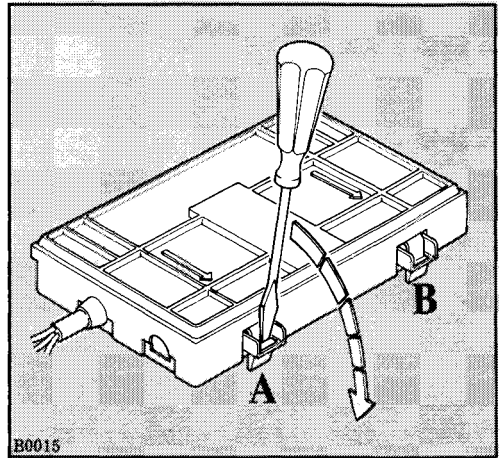


fig. 1

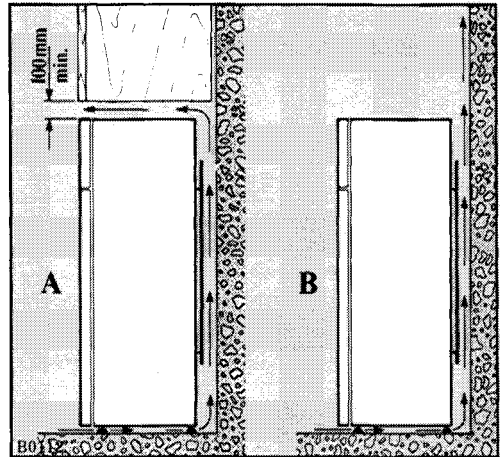


fig. 2

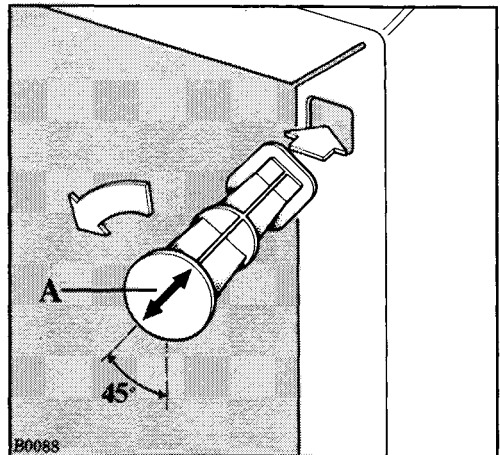


fig. 3

Operation

Refrigerator/Freezer - Starting-up and Temperature Regulation

Insert the plug into the wall socket. Open the refrigerator door and turn the thermostat knob, to be found on the upper right side of the inner liner, clockwise, from the "●" or STOP position, to start the appliance. Temperature adjustment is obtained by turning the thermostat knob to the required setting. A medium setting is generally the most suitable. However, the thermostat knob setting should be adjusted depending on the temperature required inside the appliance. This, in turn, depends on a number of factors such as the ambient temperature, the number of times the door is opened, the quantity of food stored and the location of the appliance. Turn the knob clockwise, to higher numbers, to obtain a lower temperature, or anticlockwise if a higher temperature is required.

Frozen food storage and freezing

Net storage capacity of freezer

Models	ZF67/35 E	80 litres
	ZF67/35	80 litres
	Z 20/9	80 litres
	Z 21/10 PR	80 litres
	ZC21/10 R	80 litres
	ZG21/10 R	80 litres
	ZV21/10 R	80 litres
	ZB21/10 R	80 litres

Total gross capacity of both compartments

Models	ZF67/35 E	290 litres
	ZF67/35	290 litres
	Z 20/9	290 litres
	Z 21/10 PR	290 litres
	ZB21/10 R	290 litres
	ZC21/10 R	290 litres
	ZG21/10 R	290 litres
	ZV21/10 R	290 litres

The 4-star compartment (*****) is suitable for long term storage of commercially frozen food marked by the symbol **** (i.e. for 3 months, unless otherwise stated by the manufacturer), and for freezing fresh food. Do not exceed the storage times shown by the manufacturer on the commercially frozen food packets.

Under normal circumstances, to freeze fresh foods it is not necessary to change the setting of the thermostat knob with respect to the normal running position. However, for a quicker freezing operation, turn the thermostat knob to the coldest setting; but remember that, in this condition, the refrigerating compartment temperature might drop below 0°C. If this occurs reset thermostat knob to a warmer setting.

To help you make the most of the freezing process, here are some important hints:

Place the food to be frozen in the top basket of the freezing compartment as this is the coldest part.

The maximum quantity of food which can be frozen in 24 hrs is shown below:

Models	ZF67/35 E	Kg.3.5
	ZF67/35	Kg.3.5
	Z 20/9	Kg.3.5
	Z 21/10 PR	Kg.3.5
	ZB21/10 R	Kg.3.5
	ZC21/10 R	Kg.3.5
	ZG21/10 R	Kg.3.5
	ZV21/10 R	Kg.3.5

Only freeze top quality, fresh and thoroughly cleaned, foodstuffs.

Prepare the fresh food in small portions to enable it to be rapidly and completely frozen and to make it possible subsequently to thaw only the quantity required at the time.

Wrap up the food in aluminium foil or polythene and make sure that the packages are airtight.

Do not allow fresh, unfrozen food to touch food which is already frozen, thus avoiding a rise in temperature of the latter.

IMPORTANT:

Do not put carbonated liquids (fizzy drinks, etc.) in the freezing compartment as they may burst.

Water ices, if consumed immediately after removal from the freezing compartment, can possibly cause the skin to be freeze burnt.

Remember that, once thawed, frozen food deteriorates rapidly, even if it is refrozen again, so do not re-freeze.

If there is a power failure when food is in the freezer, do not open the door of the freezing compartment.

The frozen food will not be affected if the power cut is of short duration (a temperature increase of the frozen food could shorten its safe storage period), otherwise, it is recommended that the food should be used within a very short time.

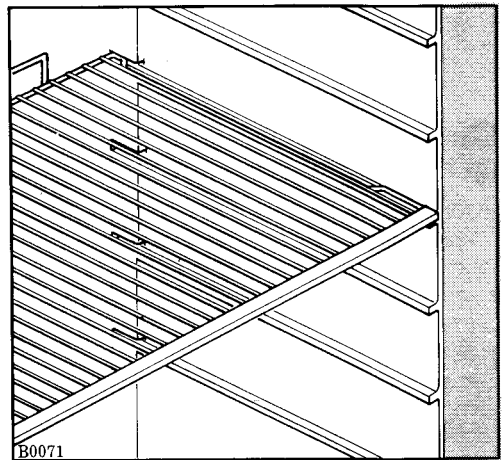


Fig. 4

Fresh food refrigeration

To obtain the best performance, do not store warm food or evaporating liquids in the refrigerator; do cover or wrap the food, particularly if it has a strong flavour.

Do not cover the shelves with any protective material, such as paper, cardboard or plastic, which may obstruct the air circulation through them.

To help you use your refrigerator correctly, here are some more useful hints:

Raw meat (beef, pork, lamb & wild fowl): wrap in polythene bags and place on top of the salad crisper and, for safety, only store in this way for one or two days at the most.

Fruit & vegetables: these should be thoroughly cleaned and placed in the bottom salad crisper.

Butter & cheese: these should be placed in special airtight containers or wrapped in aluminium foil or polythene bags to exclude as much air as possible.

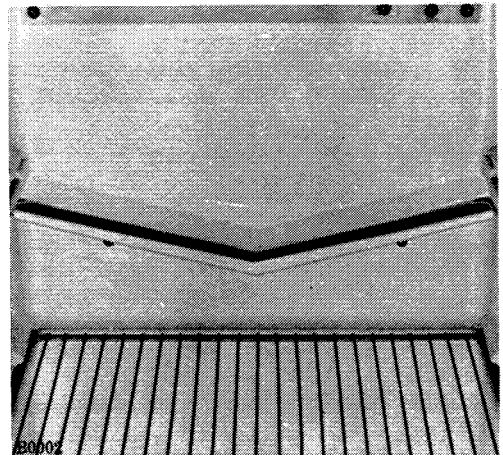


Fig. 5

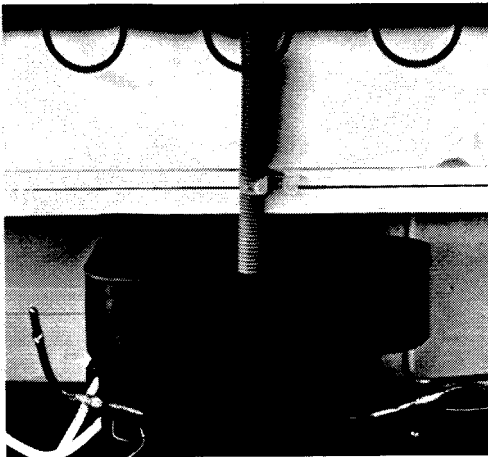


Fig. 6

Milk bottles: these should have a cap and should be stored in the bottle rack on the door.

The inner walls of the refrigerator compartment incorporate a number of self-carrying runners which allow the shelves to be placed at various levels (Fig. 4).

Drink-dispenser

(Some models only)

The container for cooling drinks, which is located on the inner door or, depending on the model of appliance, on the ceiling of the fridge compartment, can easily be removed from its runners for filling and cleaning.

To pour out a drink, press the glass upwards, against the tap arms.

When the glass is removed, the tap turns itself off.

To clean the container, we recommend that you rinse it several times with hot water after letting the water cool down inside the container itself.

It also helps, for a thorough cleaning of the container, to add a spoonful of bicarbonate of soda to the rinsing water. Push the dispenser tap on and off a number of times to allow sugar deposits from soft drinks or sweet wines to dissolve out of it.

Empty the container and rinse with clean water.

Defrosting

Frost is automatically eliminated from the evaporator of the refrigerator compartment every time the motor compressor stops, during normal use. The defrost water drains out through a trough (Fig. 5) into a special container (Fig. 6) on the back of the appliance where it evaporates.

The freezer compartment, however, will become progressively covered with frost.

This should be removed with the special plastic scraper provided, whenever the thickness of the frost exceeds 1/4". During this operation it is not necessary to switch off the power supply or to remove the foodstuffs. However, when the ice becomes very thick on the inner liner, complete defrosting should be carried out and it is advisable to carry out this operation when the appliance is empty.

To carry out complete defrosting of the freezer compartment (❄️❄️❄️) proceed as follows:

Remove any stored food, wrap it in several layers of newspaper and put it in a cool place.

Pull out the plug from the wall socket or turn the thermostat knob to "STOP" setting.

Leave the door open.

Defrost water will drain through the trough located at the centre front of the appliance, between the base and the door and it should be collected by placing a basin (container) underneath (Fig. 7). A small flexible pipe, supplied with the literature, acts as an extension of the trough and makes it easier to collect the defrost water.

When defrosting is completed, dry the interior thoroughly;

Replace the plug in the socket and, after letting the appliance run for at least half an hour, replace the previously removed food into the compartment.

Important:

A temperature rise of the frozen food packs, during defrosting, may shorten their safe storage life.

Never use sharp metal tools to scrape off frost from the evaporator as you could damage it by so doing.

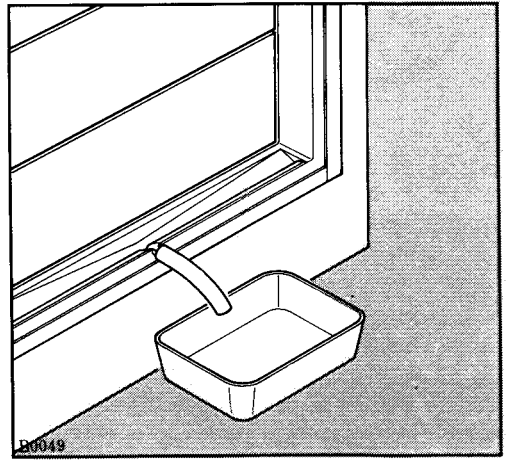


Fig. 7

Maintenance

Prior to undertaking any maintenance operation, be sure to unplug the appliance from the wall socket as a safety precaution.

Clean the interior periodically with lukewarm water and some bicarbonate of soda; the cabinet exterior with a Silicone wax spray; the condenser and the motor compressor with a brush or a vacuum cleaner.

Clean the drain hole of the defrost water trough (Fig. 5) at regular intervals and make sure that this drain hole is never obstructed, so that the defrost water may flow out freely.

During periods when the appliance is not in use, take the following precautions: unplug the appliance from the power supply; remove all foodstuffs from the appliance; clean the interior and all accessories; leave the doors ajar to facilitate the circulation of air in the interior of the cabinet so as to prevent unpleasant odours from accumulating in the appliance.

Servicing

Should service be required for this appliance, contact your local Service Agent; but, before requesting service, the following simple checks may save you inconvenience and expense:

If there are water drops on the bottom of the fridge compartment, check that the defrost water drain opening is not obstructed (Fig. 5).

Check that the plug is firmly in the wall socket.

Check that there is an electricity supply to the socket by plugging in another appliance and operating it.

If it is felt that the compressor may be faulty turn the thermostat knob to the coldest setting and, leaving the door open also for a few minutes, listen to check if the motor then runs and see if the evaporator frosts over.

If the motor still does not run or frost does not form on the evaporator contact your Service Agent.

Replacing the interior light bulb (for models incorporating this feature)

The light bulb can easily be reached. If the light does not come on when the door is opened, check that the light bulb is correctly screwed in; if after this it still does not light up, replace the bulb.

The production-assembled lamp is rated 10 W. If necessary, replace it with a lamp of same rating.

Door reversal directions

(Fig. 8 - Mod. ZF67/35 - Z20/9 E excluded)

Before carrying out the operations described below, pull out the mains plug from the wall socket.

To carry out this reversal go through the following steps:

- a) Remove base 2 by unscrewing its front screws. Slide it downwards to release it from the central runners.
- b) Remove bottom hinge 1;
- c) Unscrew pin C from hole A and screw it down into hole B;
- d) Slide out the lower door from middle hinge;
- e) Remove middle and top hinge 3 and 4 and refit them on the opposite side;
- f) Refit the bottom door and hinge 1 on the opposite side;
- g) Turn base upside-down and refit it;
- i) Remove handles 5-6 and refit them on the opposite side.

Panelling the doors

(only for models with door frames)

Proceed as follows to fit the door panels: Take off the removable section of the door frame from the opposite side with respect to the hinge after unscrewing the securing screws;

Unloose, without removing them, all securing screws of the door frame.

Slide in, on the side from which the removable section of the door frame was taken off, the covering panel and push it in all the way.

Fasten again the frame to the door, including the previously removed detachable frame section.

Note:

The door panels of the refrigerator & freezer compartments should have the following dimensions:

Refrigerator:	Width	598 mm
	Height	792 mm
	Thickness	4 mm
Freezer:	Width	598 mm
	Height	617 mm
	Thickness	4 mm

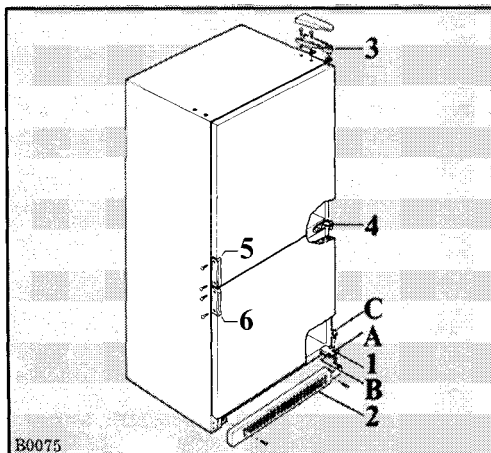


Fig. 8



ZANUSSI STANDARD GUARANTEE CONDITIONS

This guarantee is in addition to your statutory and other legal rights which will not be excluded or in any way diminished by the return of the guarantee card.

We, IAZ International (UK) Ltd, undertake that if, within twelve months (24 months for TV sets) of the date of the purchase, this ZANUSSI appliance or any part thereof is proved to be defective by reason only of faulty workmanship or materials, we will, at our option, repair or replace the same **FREE OF ANY CHARGE** for labour, materials or carriage on condition that:

—The appliance has been correctly installed and used only on the electricity supply stated on the rating plate.

—The appliance has been used for normal domestic purposes only, and in accordance with the manufacturer's operating and maintenance instructions.

—The appliance has not been serviced, maintained, repaired, taken apart or tampered with by any person not authorised by us.

—The appliance is still in the possession of the original purchaser.

All service work under this guarantee must be undertaken by a Zanussi Network Service Centre (or the Zanussi Authorised TV Service Dealer).

Any appliance or defective part replaced shall become our property.

Exclusions

This guarantee does not cover:

—Damage or calls resulting from transportation, improper use or neglect, the replacement of any light bulbs or removable parts of glass or plastic.

—Costs incurred for calls to put right machines improperly installed or calls to machines outside the UK and the Republic of Ireland.

—Appliances found to be in use within a commercial environment, plus those which are the subject of rental agreements.

—Television receivers - routine adjustment, or poor reception resulting from a source outside of the receiver.



ZANUSSI 5 YEAR COVER CONDITIONS

For a once-only payment you can extend your Standard Guarantee to 5 years. All the conditions and exclusions of the Standard Guarantee apply.

Notes

1. Products supplied as "seconds", refurbished, damaged or shop-soiled are not eligible for Zanussi 5 year cover.
2. The issue of a cover does NOT by virtue of our having done so, nullify the exclusions.
3. The Engineer will need to check the details of your Cover card and may make a charge for his services if it is not presented to him at the time of his call.
4. The date of purchase, or the date of initial payment (deposit) of the appliance will be deemed the date of commencement of cover.
5. Covers issued are not refundable or transferable.

ZANUSSI
The appliance of science

R1034

Free Manuals Download Website

<http://myh66.com>

<http://usermanuals.us>

<http://www.somanuals.com>

<http://www.4manuals.cc>

<http://www.manual-lib.com>

<http://www.404manual.com>

<http://www.luxmanual.com>

<http://aubethermostatmanual.com>

Golf course search by state

<http://golfingnear.com>

Email search by domain

<http://emailbydomain.com>

Auto manuals search

<http://auto.somanuals.com>

TV manuals search

<http://tv.somanuals.com>