

## RANGE COMPOSITION

Zanussi Professional have designed and produced a complete range of refrigerated tables, that combines the dual function of worktop and refrigerated table. This versatility allows notable savings in space whilst offering functional and modular solutions to kitchen requirements.



## CONCEPT SERIES

### REFRIGERATED TABLES - 4 COMPARTMENTS **ZANUSSI PROFESSIONAL**

#### FUNCTIONAL AND CONSTRUCTION FEATURES

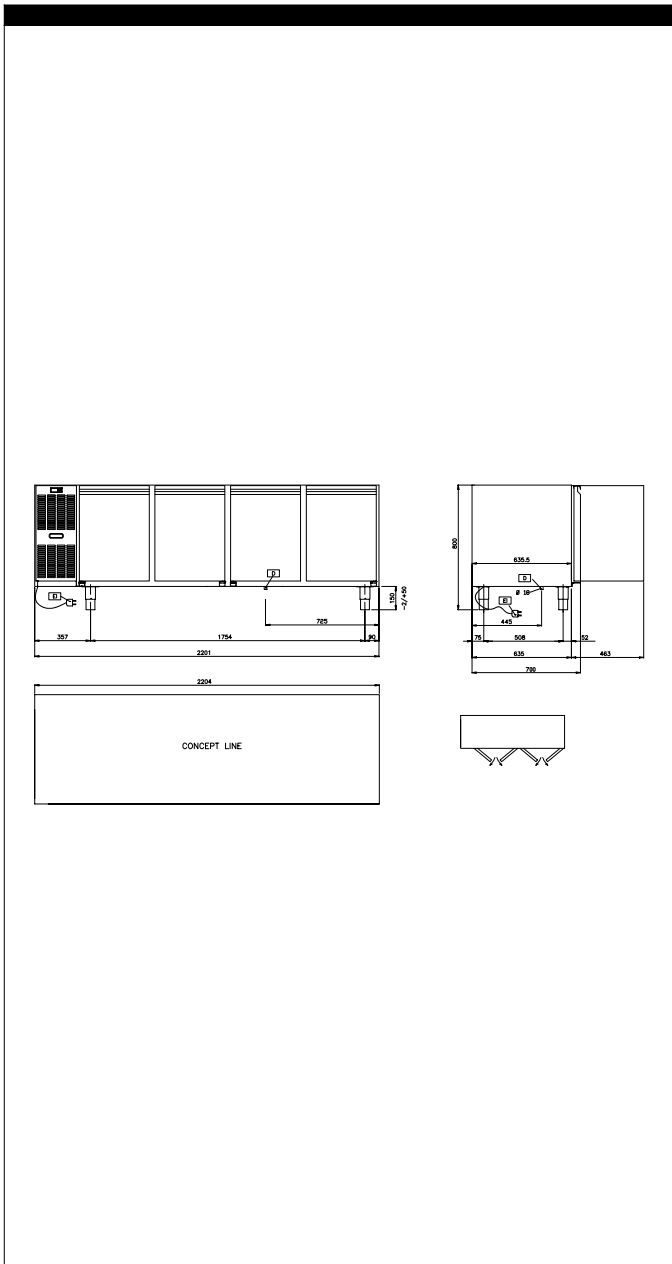
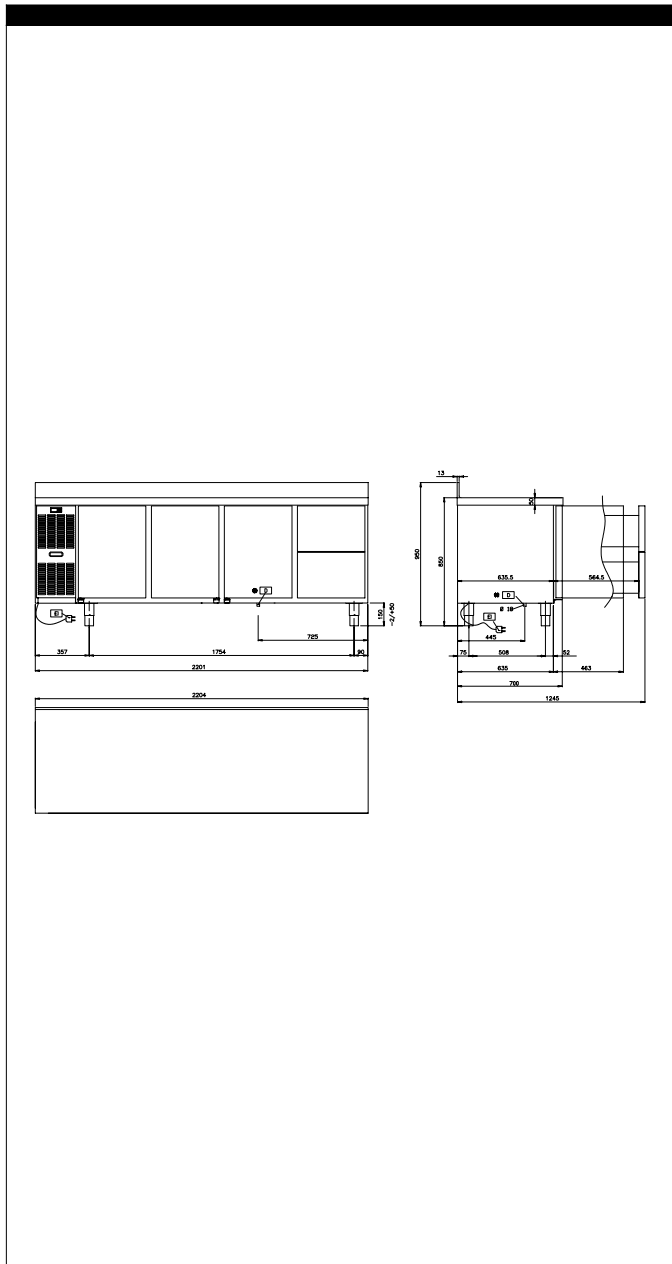
- ◆ 150mm height-adjustable feet.
- ◆ Internal and external doors, front and side panels and worktop in 304 AISI stainless steel.
- ◆ Rounded internal corners for ease of cleaning.
- ◆ Refrigerated compartment designed to accommodate GN 1/1 containers.
- ◆ Digital control panel.
- ◆ Suitable to operate in ambient temperatures up to +43°C. Temperature range: -2/+10 °C.
- ◆ Forced air circulation for rapid cooling and an even temperature distribution.
- ◆ Automatic evaporation of defrost water. Drain outlet.
- ◆ Access to all components from the front.
- ◆ In compliance with H requirements.
- ◆ C.F.C. and H.C.F.C. free.

- ◆ High-density expanded polyurethane foam, 50 mm in thickness, with cyclopentane

injection.

- ◆ Developed and produced in ISO 9001 and ISO 14001 certified factory.

CHARACTERISTICS	MODELS				
	HB4P 728243	HB4PNT 727107	HB3P2C 728244	HB2P4C 728245	HB8C 728246
Operating temperature - min/max °C	-2/10	-2/10	-2/10	-2/10	-2/10
Operating mode	Ventilated	Ventilated	Ventilated	Ventilated	Ventilated
Gross capacity (D.I.N. 8952) - l.	560	560	560	560	560
Cooling unit	Built-In	Built-In	Built-In	Built-In	Built-In
External dimensions - mm					
width	2204	2204	2204	2204	2204
depth/with open doors	700, 1102	700, 1098	700, 1102	700, 1102	700, 1102
height	850	800	850	850	850
Internal dimensions - mm					
depth	580	580	580	580	580
height	543	543	543	543	543
Without worktop		●			
Top material	304 AISI	Galvanized Steel	304 AISI	304 AISI	304 AISI
Min/Max internal humidity - %	57	57	57	57	57
N° of drawers			2x1/2	4x1/2	8x1/2
Door hinges	2 Left+2 Right	2 Left+2 Right	2 Left+1 Right	1 Left+1 Right	
Compressor power - HP	1/4	1/4	1/4	1/4	1/4
N° defrost in 24 hrs.	4/20	4/20	4/20	4/20	4/20
Refrigerant type	R404a	R404a	R404a	R404a	R404a
Refrigerant quantity - g.	210	210	210	210	210
Refrigeration power - W	343	343	343	343	343
Refrigerant power at evaporation temperature - °C	-20	-20	-20		-20
Power - kW					
installed-electric	0.34	0.34	0.34	0.34	0.34
Net weight - kg.	186	186	194	198	214
Power supply - V, phases, Hz	230 V, 1N, 50	230 V, 1N, 50	230 V, 1N, 50	230 V, 1N, 50	230 V, 1N, 50
<b>INCLUDED ACCESSORIES</b>					
1/1 GN GREY "RILSAN" GRID	4	4	3	2	



	HB4P 728243	HB4PNT 727107	HB3P2C 728244	HB2P4C 728245	HB8C 728246
D - Water drain	16mm	16mm	16mm	16mm	16mm
EI - Electrical connection	230 V, 1N, 50	230 V, 1N, 50	230 V, 1N, 50	230 V, 1N, 50	230 V, 1N, 50

ACCESSORIES	MODELS				
	HB4P 728243	HB4PNT 727107	HB3P2C 728244	HB2P4C 728245	HB8C 728246
2x½ DRAWER KIT FOR REFRIGERATED TABLES	880118	880118	880118	880118	
3x1/3 DRAWER KIT FOR REFRIGERATED TABLES	880115	880115	880115	880115	880115
DRAWER KIT-1/3+2/3 (BOTTLES)-REF. TABLES	880126	880126	880126	880126	880126
KIT 2 S/S GRIDS GN1/1 FOR REFRIG. TABLES	880139	880139	880139	880139	
KIT 4 WHEELS (2 W/BRAKE)+4 (40MM)SPACERS	880025	880025	880025	880025	880025
KIT DOOR REVERSIBILITY FOR REF. TABLES	880046	880046	880046	880046	
KIT HACCP EKIS	922166	922166	922166	922166	922166
KIT INTEGRATED HACCP-DIG. REFR. (IR33)	880205	880205	880205	880205	880205
LOCK KIT FOR REFRIGERATED TABLES	880130	880130	880130	880130	880130
PRINTER FOR HACCP BASIC VERSION REFRIG.	881457	881457	881457	881457	881457
S/S STRUCTURE TO SUPPORT 6 GRIDS (R+L)	880140	880140	880140	880140	
WORKTOP FOR 4 DOOR REFRIGERATED TABLES		880198			
WORKTOP+UPSTAND FOR 4 DOOR REFRIG. TABLE		880116			



www.zanussiprofessional.com

## Free Manuals Download Website

<http://myh66.com>

<http://usermanuals.us>

<http://www.somanuals.com>

<http://www.4manuals.cc>

<http://www.manual-lib.com>

<http://www.404manual.com>

<http://www.luxmanual.com>

<http://aubethermostatmanual.com>

Golf course search by state

<http://golfingnear.com>

Email search by domain

<http://emailbydomain.com>

Auto manuals search

<http://auto.somanuals.com>

TV manuals search

<http://tv.somanuals.com>