

## RANGE COMPOSITION

Zanussi Professional has designed and produced a complete range of refrigerated tables, that combines the dual function of worktop and refrigerated table. This versatility allows notable savings in space whilst offering functional and modular solutions to kitchen requirements.



728543

## CONCEPT SERIES

### REFRIGERATED TABLES WITH UPSTAND-4 COMP. **ZANUSSI** PROFESSIONAL

#### FUNCTIONAL AND CONSTRUCTION FEATURES

- ◆ Built-in refrigeration unit.
- ◆ Height-adjustable feet.
- ◆ Internal and external doors, front and side panels and worktop in 304 AISI stainless steel.
- ◆ Rounded internal corners for easier cleaning.
- ◆ Refrigerated compartment designed to accommodate GN 1/1 containers.
- ◆ Digital control panel.
- ◆ Suitable to operate in ambient temperatures up to +43°C. Temperature range: -2/+10 °C.
- ◆ Forced air circulation for rapid cooling and an even temperature distribution.
- ◆ Automatic evaporation of defrost water.
- ◆ Drain outlet.
- ◆ Access to all components from the front.
- ◆ In compliance with H requirements.

◆ C.F.C. and H.C.F.C. free.

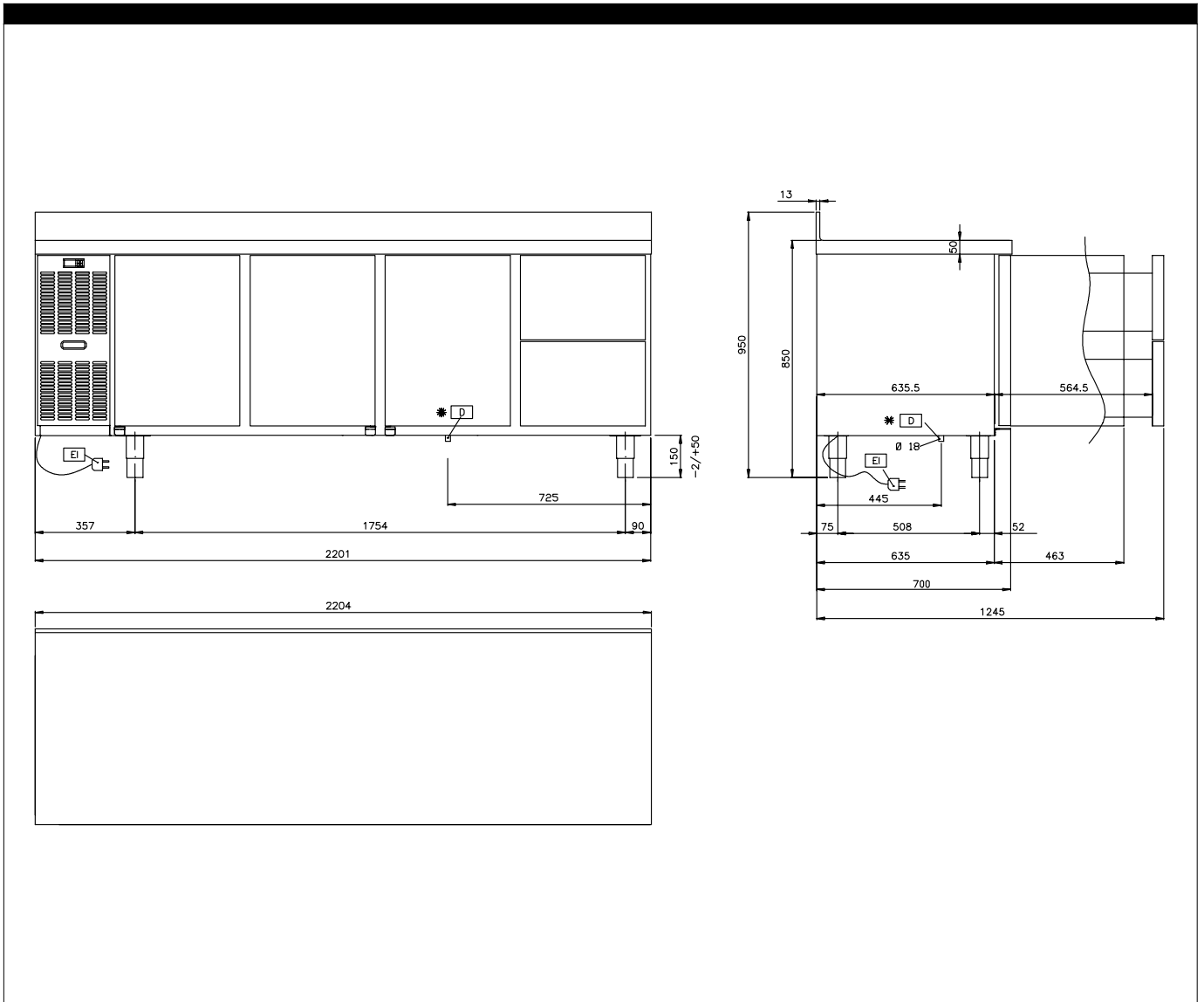
CHARACTERISTICS	MODELS	
	HB4PU 728511	HB3P2CU 728543
Operating temperature - min/max °C	-2/10	-2/10
Operating mode	Ventilated	Ventilated
Gross capacity (D.I.N. 8952) - l.	560	560
Cooling unit	Built-In	Built-In
External dimensions - mm		
width	2204	2204
depth/with open doors	700, 1102	700, 1102
height	950	950
Internal dimensions - mm		
depth	580	580
height	543	543
Upstand	●	●
Min/Max internal humidity - %	57	57
N° of drawers		2x1/2
Door hinges	2 Left+2 Right	2 Left+1 Right
Compressor power - HP	1/4	1/4
N° defrost in 24 hrs.	4/20	4/20
Refrigerant type	R404a	R404a
Refrigerant quantity - g.	210	210
Refrigeration power - W	343	343
Refrigerant power		
at evaporation temperature - °C	-20	-20
Power - kW		
installed-electric	0.34	0.34
Net weight - kg.	187	191
Power supply - V, phases, Hz	230 V, 1N, 50	230 V, 1N, 50
<b>INCLUDED ACCESSORIES</b>		
1/1 GN GREY "RILSAN" GRID	4	3

- ◆ High-density expanded polyurethane foam, 50 mm in thickness, with cyclopentane injection.
- ◆ Developed and produced in ISO 9001 and ISO 14001 certified factory.

ACCESSORIES	MODELS	
	HB4PU 728511	HB3P2CU 728543
2x½ DRAWER KIT FOR REFRIGERATED TABLES	880118	880118
3x1/3 DRAWER KIT FOR REFRIGERATED TABLES	880115	880115
DRAWER KIT-1/3+2/3 (BOTTLES)-REF.TABLES	880126	880126
KIT 2 S/S GRIDS GN1/1 FOR REFRIG.TABLES	880139	880139
KIT 4 WHEELS (2 W/BRAKE)+4 (40MM)SPACERS	880025	880025
KIT DOOR REVERSIBILITY FOR REF.TABLES	880046	880046
KIT HACCP EKIS	922166	922166
KIT INTEGRATED HACCP-DIG. REFR. (IR33)	880205	880205
LOCK KIT FOR REFRIGERATED TABLES	880130	880130
PRINTER FOR HACCP BASIC VERSION REFRIG.	881457	881457
S/S STRUCTURE TO SUPPORT 6 GRIDS (R+L)	880140	880140
STRUCTURE TO SUPPORT 3 GRIDS(RIGHT+LEFT)	880047	880047



[www.zanussiprofessional.com](http://www.zanussiprofessional.com)



	HB4PU 728511	HB3P2CU 728543
D - Water drain	16mm	16mm
EI - Electrical connection	230 V, 1N, 50	230 V, 1N, 50



www.zanussiprofessional.com

## Free Manuals Download Website

<http://myh66.com>

<http://usermanuals.us>

<http://www.somanuals.com>

<http://www.4manuals.cc>

<http://www.manual-lib.com>

<http://www.404manual.com>

<http://www.luxmanual.com>

<http://aubethermostatmanual.com>

Golf course search by state

<http://golfingnear.com>

Email search by domain

<http://emailbydomain.com>

Auto manuals search

<http://auto.somanuals.com>

TV manuals search

<http://tv.somanuals.com>