

## RANGE COMPOSITION

The Zanussi 160 litre is the solution for customers needing reliable, compact and easy to use cold storage. All the internal finishings are in commercial grade High Impact Polystyrene (HIPS). The range consists of 7 models, 2 free-standing (refrigerator and freezer) and 5 undercounter refrigerators in stainless steel or pre-painted with full or glass door.



726588

## AG SERIES

### 160 LT REFRIGERATORS/FREEZERS **ZANUSSI** PROFESSIONAL

## FUNCTIONAL AND CONSTRUCTION FEATURES

- ◆ All models require only 1 phase 220/240V supply. They can therefore be plugged straight into an existing power socket.
- ◆ Adjustable front feet.
- ◆ Reversible door.
- ◆ The runners for the shelves are thermoformed and incorporated in the inner structure therefore being easily cleanable.
- ◆ The whole interior cell is in white High Impact Polystyrene (HIPS), has rounded corners, and has no joints to eliminate dirt traps.
- ◆ IP23 protection index make it possible to clean the unit with a hose at standard pressure.
- ◆ Designed to operate at ambient temperatures up to 38°C (32°C for the glass door model).
- ◆ Very quiet operation: noise level less than 45 dB (A).

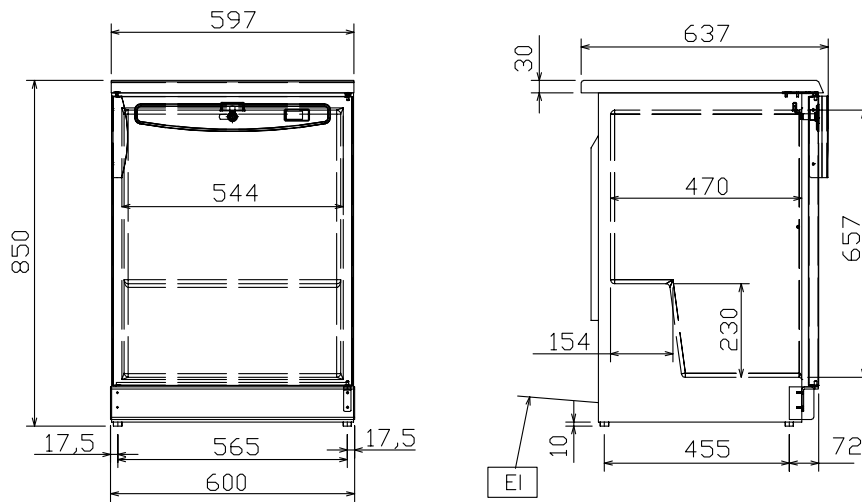
CHARACTERISTICS	MODELS					
	RCUR16X1 726588	RCUR16X1V 726868	RCUR16W1 726681	RCUR16W1V 726589	RCSR16G1X 726479	RCSF16G1X 726481
Operating temperature						
first compartment - min/max °C	2 / 10	2 / 10	2 / 10	2 / 10	2 / 10	-20 / -15
Operating mode	Ventilated	Ventilated	Ventilated	Ventilated	Static	Ventilated
External panels						
side panels	Prepainted Steel	Prepainted Steel	Prepainted white	Prepainted white	Prepainted Steel	Prepainted Steel
top panel	Grey ABS	Grey ABS	White ABS	White ABS	Stainless Steel	Stainless Steel
External material						
door	Stainless Steel	Glass	Prepainted white	Glass	Stainless steel antifingertip	Stainless steel antifingertip
Internal material						
panels	Polystyrene	High Impact White Polystyrene	High Impact White Polystyrene	High Impact White Polystyrene	High Impact White Polystyrene	High Impact White Polystyrene
Gross capacity (D.I.N. 8952) - l.	165	165	165	165	160	160
Cooling unit	Built-In	Built-In	Built-In	Built-In	Built-In	Built-In
Control type	Mechanical	Mechanical	Mechanical	Mechanical	Mechanical	Digital
External dimensions - mm						
width	600	600	600	600	595	595
depth/with open doors	637	637	637	637	620	620
height	820	820	820	820	860	860
height adjustment	10	10	10	10	10	10
Min/Max internal humidity - %	51	51	51	51	51	
N° and type of door	1	1	1	1	1	1
Door hinges	Right Side	Right Side	Right Side	Right Side	Right Side	Right Side
N° and type of grids (included)	3	3	3	3	3	3
Compressor power - HP	1/10	1/10	1/10	1/10	1/10	1/10
N° defrost in 24 hrs.						4/20'
Refrigerant type	R134a	R134a	R134a	R134a	R134a	R134a
Refrigerant quantity - g.	55	55	55	55	55	100
Refrigeration power - W	107	107	107	107	76	107
Refrigerant power						
at evaporation temperature - °C						-23.3
Power - kW						
installed-electric	0.107	0.107	0.107	0.073	0.073	0.082
Noise level - dBA	39	39	44	39	36	45
Net weight - kg.	50	50	50	50	50	50
Freestanding					●	●

- ◆ Simple control panel.
- ◆ Digital temperature display (except for the glass door models) and electromechanical or digital control.
- ◆ Door lock and internal light.
- ◆ The code 726972 comes with an internal light which can be manually turned on/off and can be used as a display unit.
- ◆ Compact cooling unit easily accessible from the rear of the appliance.
- ◆ Automatic defrost and automatic evaporation of defrost water.
- ◆ CFC and HCFC free insulation.
- ◆ R134 gas in refrigeration circuit.
- ◆ Developed and produced in ISO 9001 and ISO 14001 certified factory.

ACCESSORIES	MODELS					
	RCUR16X1 726588	RCUR16X1V 726868	RCUR16W1 726681	RCUR16W1V 726589	RCSR16G1X 726479	RCSF16G1X 726481
BOTTLE HOLDER FOR 3 BOTTLES-160L REFR.	880159	880159	880159	880159	880159	880159
DOOR COVERING KIT FOR 160L UC REFRIGER.	880145		880145			
REAR WHEEL KIT FOR 160L FS REFR./FREEZER					880143	880143
SET 3 GRIDS FOR 160L UNDERC.REFRIG.-GREY	880151	880151				
SET 3 GRIDS FOR 160LT FS FREEZER						880147
SET 3 GRIDS FOR 160LT FS REFRIGERATOR					880144	
SET 3 GRIDS-160L UNDERC.REF.-WHITE/GLASS			880150	880150		
STACKING KIT FOR 160L UNDERC.REFR.-GREY	880146	880146				
STACKING KIT FOR 160L UNDERC.REFR.-WHITE			880148	880148		
WALL HANGING KIT FOR 160L UNDERC. REFRIG	880149	880149	880149	880149		



www.zanussiprofessional.com



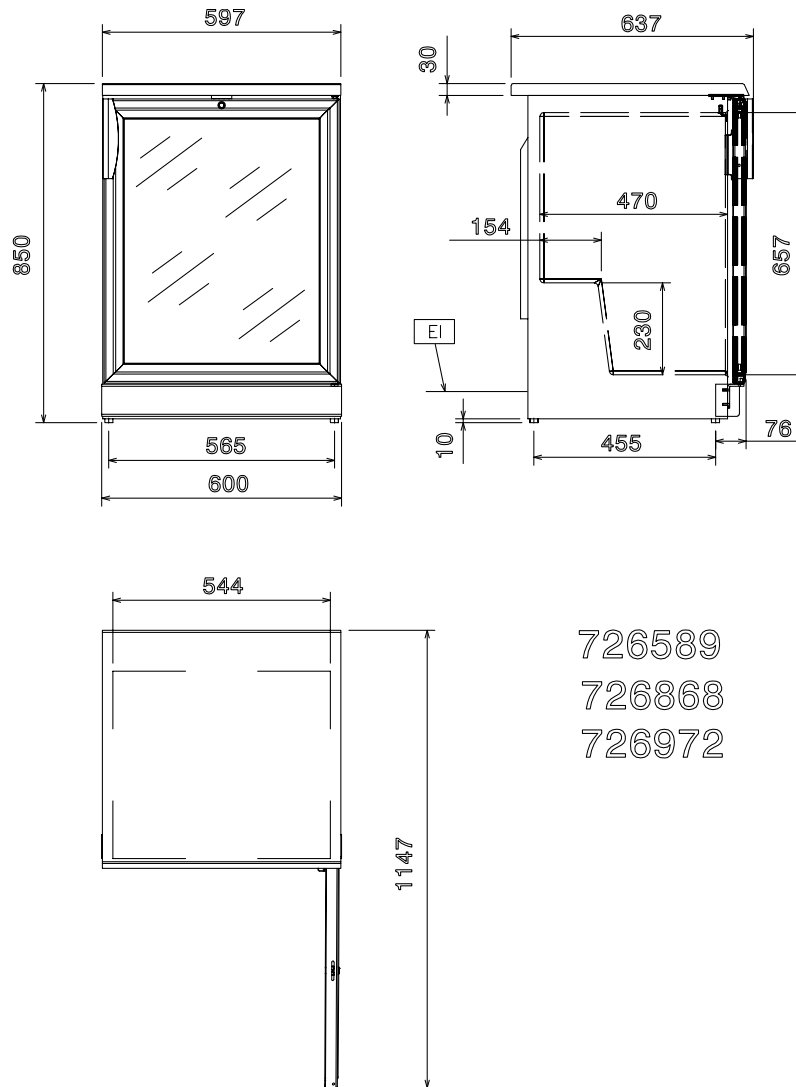
726588

726681

	<b>RCUR16X1 726588</b>	<b>RCUR16W1 726681</b>
EI - Electrical connection	230 V, 1, 50	230 V, 1, 50



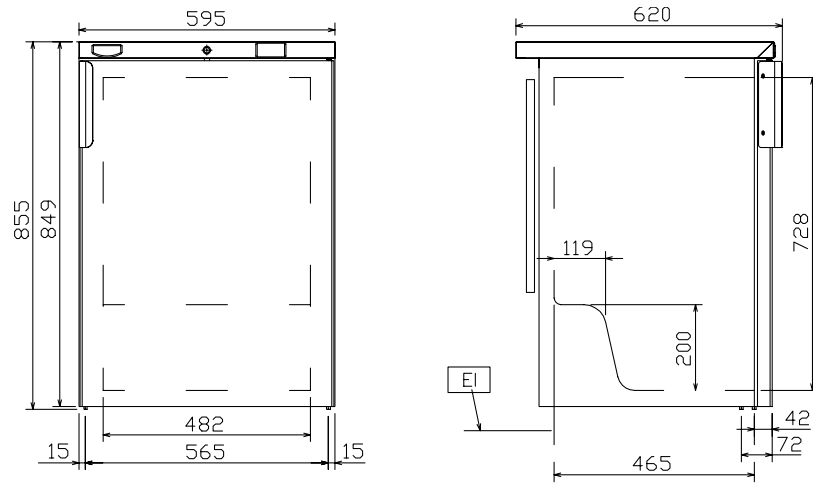
www.zanussiprofessional.com



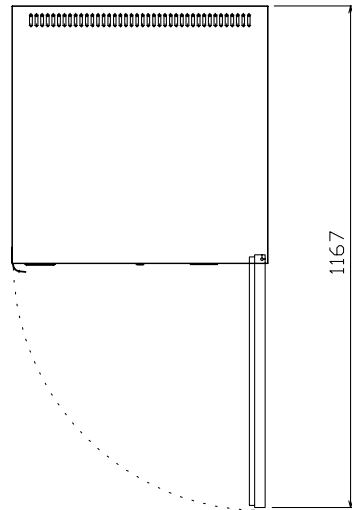
	<b>RCUR16X1V</b> <b>726868</b>	<b>RCUR16W1V</b> <b>726589</b>
EI - Electrical connection	230 V, 1, 50	230 V, 1, 50



www.zanussiprofessional.com



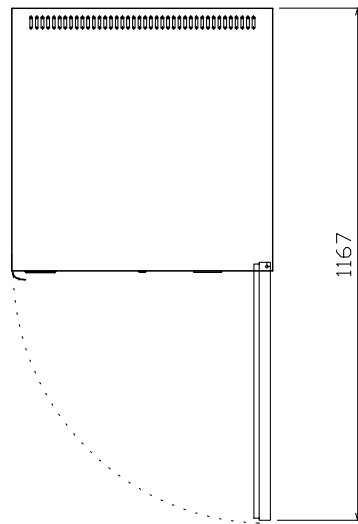
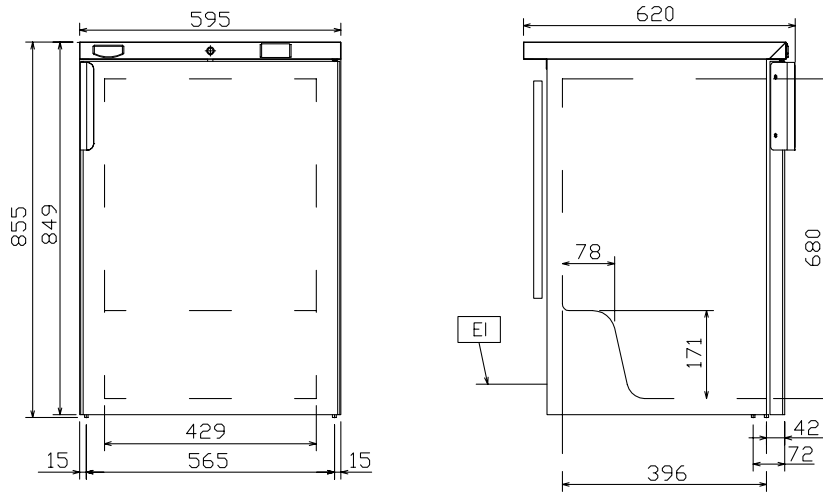
726479



	RCSR16G1X 726479
EI - Electrical connection	230 V, 1, 50



www.zanussiprofessional.com



726481

	RCSF16G1X 726481
EI - Electrical connection	230 V, 1, 50



www.zanussiprofessional.com

## Free Manuals Download Website

<http://myh66.com>

<http://usermanuals.us>

<http://www.somanuals.com>

<http://www.4manuals.cc>

<http://www.manual-lib.com>

<http://www.404manual.com>

<http://www.luxmanual.com>

<http://aubethermostatmanual.com>

Golf course search by state

<http://golfingnear.com>

Email search by domain

<http://emailbydomain.com>

Auto manuals search

<http://auto.somanuals.com>

TV manuals search

<http://tv.somanuals.com>