

RANGE COMPOSITION

Zanussi Professional have designed and produced a complete range of refrigerated tables, that combines the dual function of worktop and refrigerated table. This versatility allows notable savings in space whilst offering functional and modular solutions to kitchen requirements.



COMPACT

250 LT REFRIGERATED TABLES **ZANUSSI** PROFESSIONAL

FUNCTIONAL AND CONSTRUCTION FEATURES

- ◆ Built-in refrigeration unit.
- ◆ Height-adjustable feet.
- ◆ Constructed from AISI 304 stainless steel throughout to meet

the highest hygiene standards.

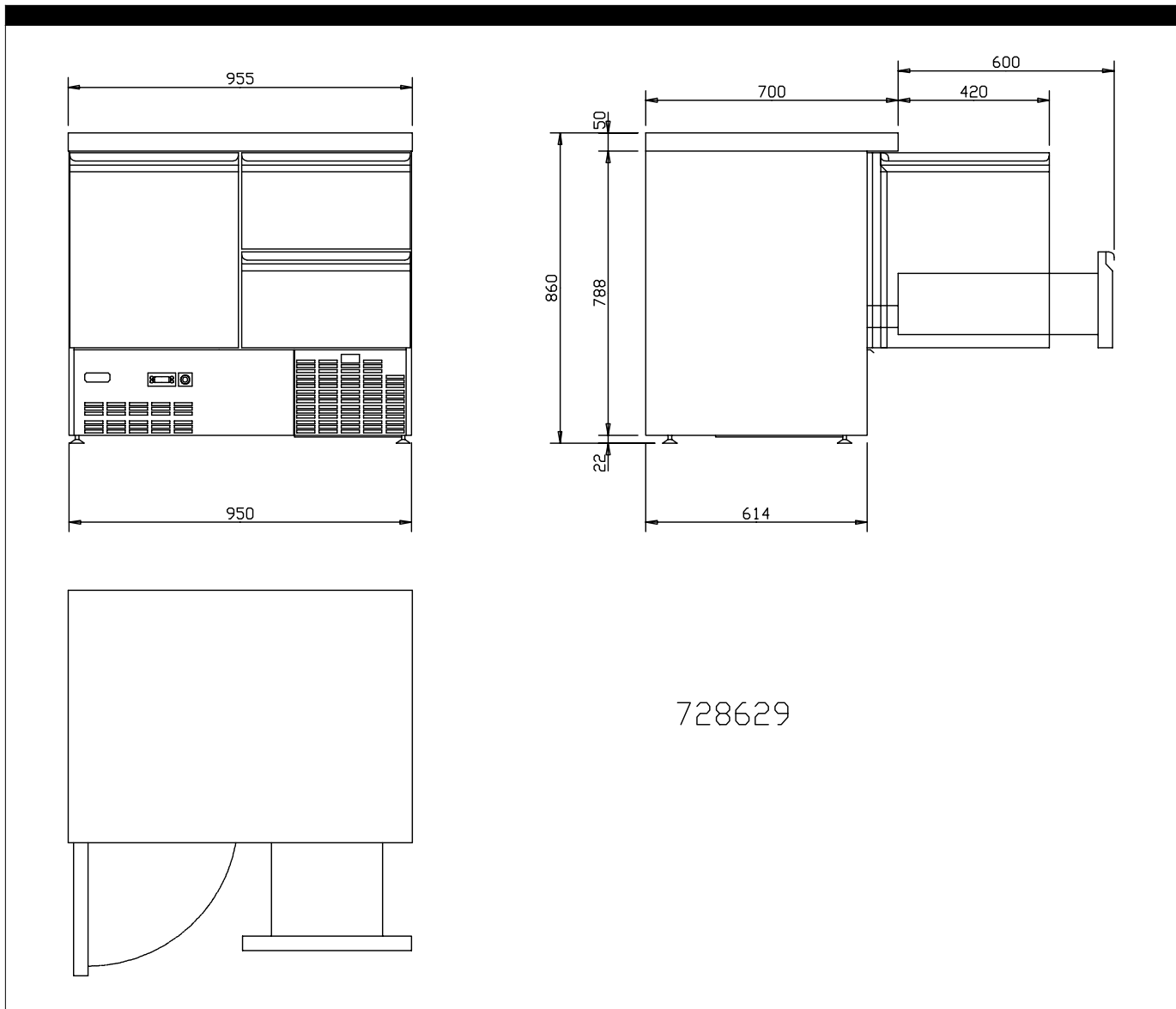
CHARACTERISTICS	MODELS					
	SAL25T12 728629	SAL25N12 728630	SAL25T20 728631	SAL25N20 728632	SAL25N04 728633	SAL25T04 728634
Operating temperature - min/max °C	2/10	2/10	2/10	2/10	2/10	2/10
Operating mode	Ventilated	Ventilated	Ventilated	Ventilated	Ventilated	Ventilated
Gross capacity (D.I.N. 8952) - l.	250	250	250	250	250	250
Cooling unit	Built-In	Built-In	Built-In	Built-In	Built-In	Built-In
External dimensions - mm						
width	955	950	955	950	950	955
depth/with open doors	700, 1120	700, 1120	700, 1120	700, 1120	700, 1120	700, 1120
height	860	810	860	810	810	860
Internal dimensions - mm						
width	870	870	870	870	870	870
depth	550	550	550	550	550	550
height	520	520	520	520	520	520
Worktop type	Stainless Steel	none	Stainless Steel	none	none	Stainless Steel
Min/Max internal humidity - %	50/70	50/70	50/70	50/70	50/70	50/70
N° of drawers	2x1/2	2x1/2	None	None	4x1/2	4x1/2
N° and type of door	1	1	2	2		
Door hinges	Left	Left	1 Left+1 Right	1 Left+1 Right		
Compressor power - HP	1/4;	1/4;	1/4	1/4;	1/4;	1/4;
N° defrost in 24 hrs.	4/25'	4/25'	4/25'	4/25'	4/25'	4/25'
Refrigerant type	R134a	R134a	R134a	R134a	R134a	R134a
Refrigerant quantity - g.	120	120	120	120	120	120
Refrigeration power - W	224	224	224	224	224	224
Power - kW						
installed-electric	0.288	0.288	0.27	0.288	0.288	0.288
Net weight - kg.	100	85	82	82	85	100
Power supply - V, phases, Hz	230 V, 1N, 50	230 V, 1N, 50	230 V, 1N, 50	230 V, 1N, 50	230 V, 1N, 50	230 V, 1N, 50

- ◆ Rounded internal corners for ease of cleaning.
- ◆ Lower refrigerated compartment designed to accommodate GN 1/1 containers.
- ◆ Digital control panel.
- ◆ Suitable to operate in ambient temperatures up to +32°C.
Temperature range: +2+10 °C.
- ◆ Forced air circulation for rapid cooling and an even temperature distribution.
- ◆ Automatic evaporation of defrost water. Prearrangement for drain outlet.
- ◆ Access to all components from the front.
- ◆ In compliance with H requirements.
- ◆ C.F.C. and H.C.F.C. free.
- ◆ Environmentally friendly: R134a.
- ◆ High-density expanded polyurethane foam, 50 mm in thickness, with cyclopentane injection..
- ◆ Developed and produced in ISO 9001 and ISO 14001 certified factory.

ACCESSORIES	MODELS					
	SAL25T12 728629	SAL25N12 728630	SAL25T20 728631	SAL25N20 728632	SAL25N04 728633	SAL25T04 728634
1/1 GN GREY "RILSAN" GRID	881435	881435	881435	881435		
HACCP ADV.CONN.10 UNITS-DIG.REF.(ID9XX)	880119	880119	880119	880119	880119	880119
HACCP ADV.CONN.80 UNITS-DIG.REF.(ID9XX)	880132	880132	880132	880132	880132	880132
HACCP ADV.CONN.PER UNIT-DIG.REF.(ID9XX)	880133	880133	880133	880133	880133	880133
KIT 4 WHEELS FOR 250L COUNTER/SALADETTE	880267	880267	880267	880267	880267	880267
KIT HACCP EKIS	922166	922166	922166	922166	922166	922166
PLASTIC CONTAINER GN 1/1 H=100 MM	811451	811451	811451	811451		
PLASTIC CONTAINER GN 1/1 H=150 MM	881040	881040	881040	881040		
PLASTIC CONTAINER GN 1/1 H=65 MM	881038	881038	881038	881038	881038	881038



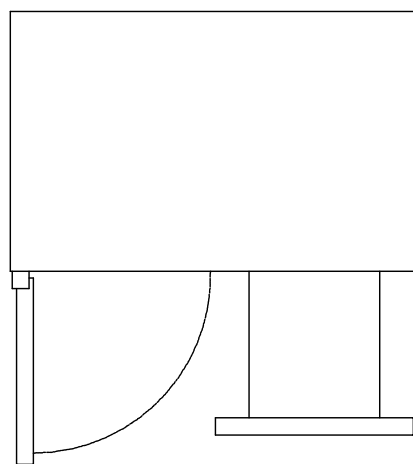
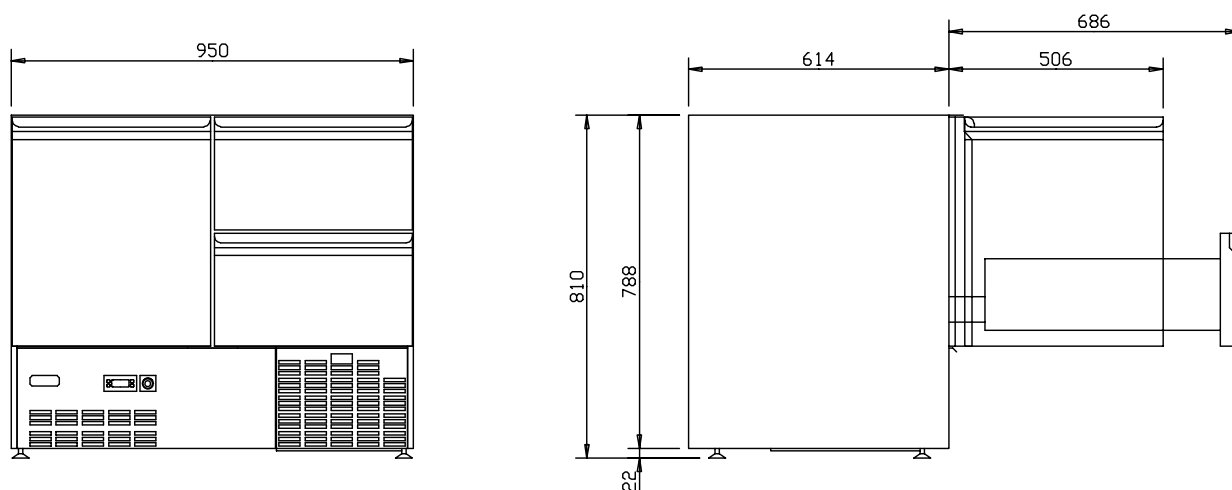
www.zanussiprofessional.com



EI - Electrical connection	SAL25T12 728629
	230 V, 1N, 50



www.zanussiprofessional.com

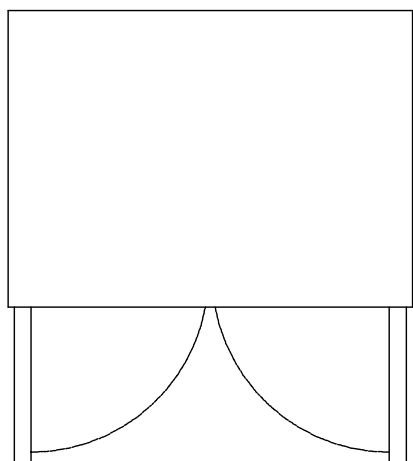
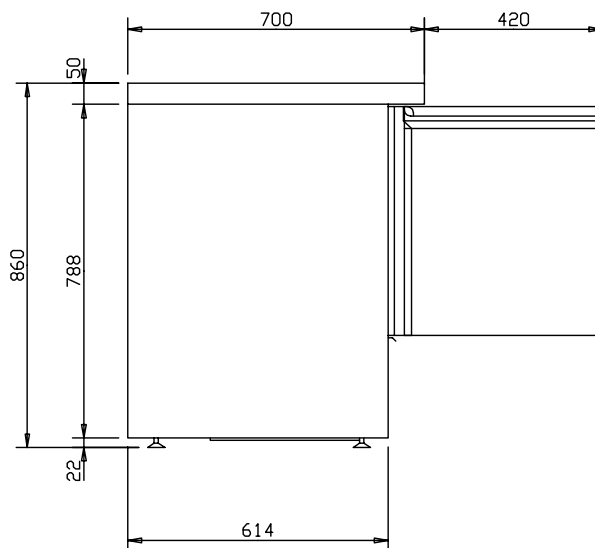
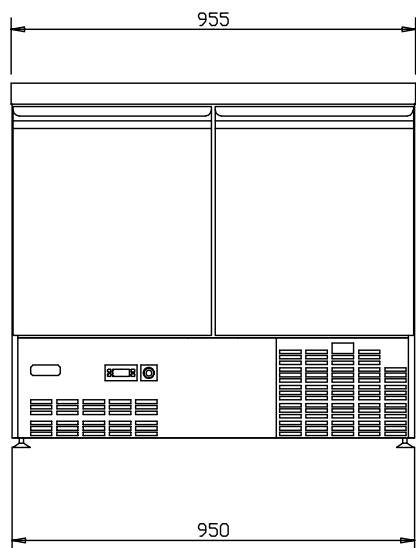


728630

EI - Electrical connection	SAL25N12 728630 230 V, 1N, 50
----------------------------	-------------------------------------



www.zanussiprofessional.com

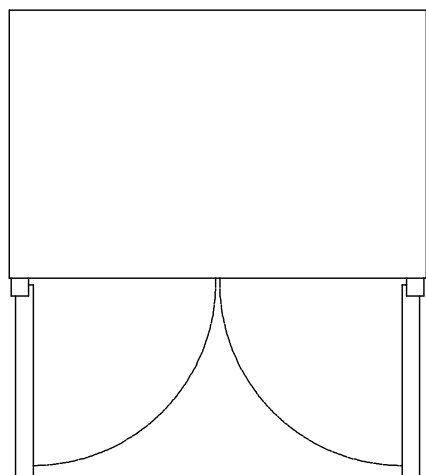
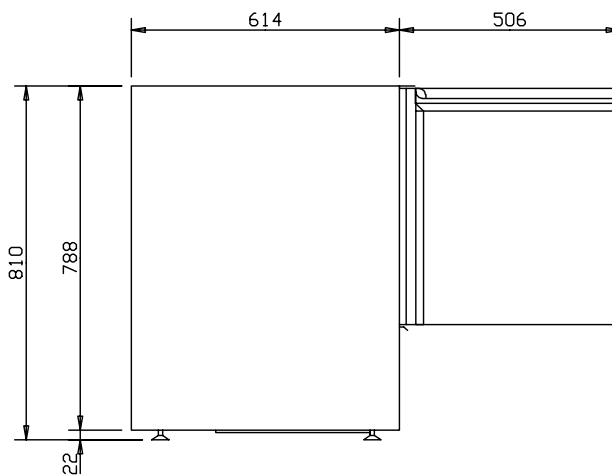
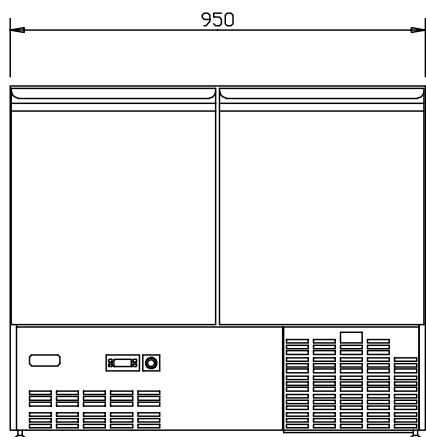


728631

	<p>SAL25T20 728631</p>
<p>EI - Electrical connection</p>	<p>230 V, 1N, 50</p>



www.zanussiprofessional.com

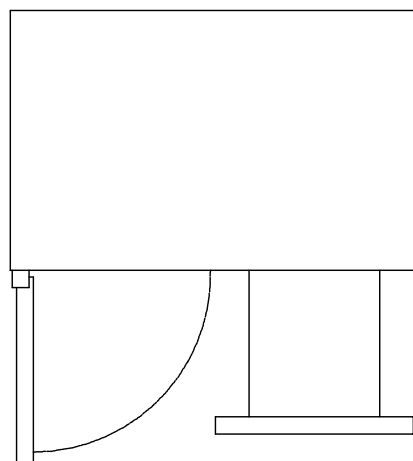
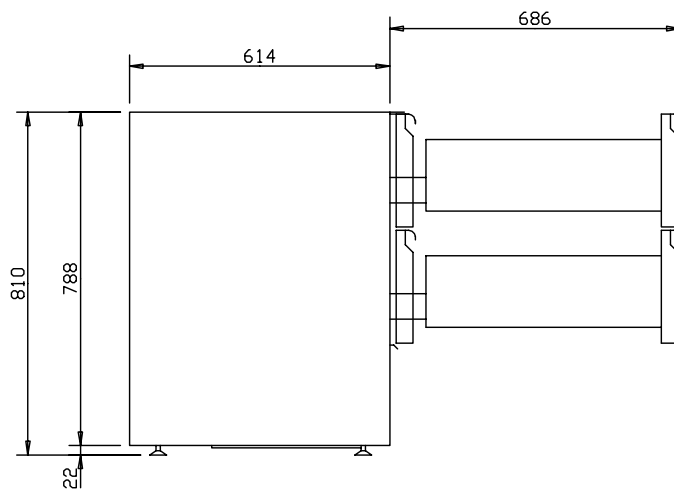
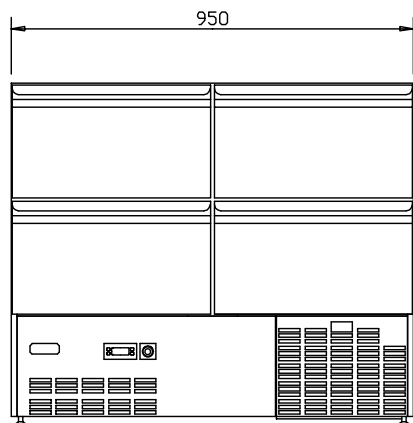


728632

	<p>SAL25N20 728632</p>
<p>EI - Electrical connection</p>	<p>230 V, 1N, 50</p>



www.zanussiprofessional.com

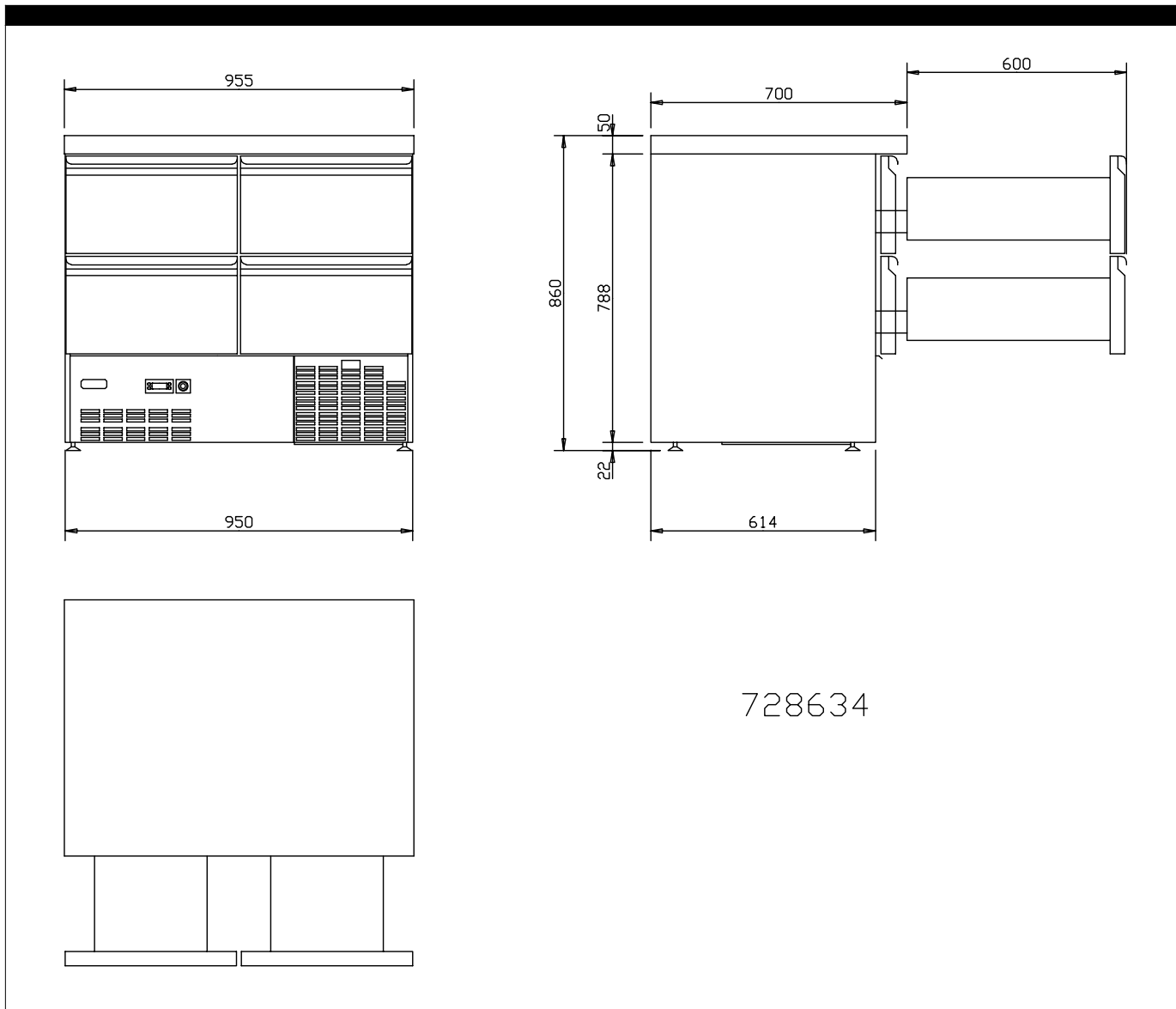


728633

	<p>SAL25N04 728633</p>
<p>EI - Electrical connection</p>	<p>230 V, 1N, 50</p>



www.zanussiprofessional.com



EI - Electrical connection	SAL25T04 728634
	230 V, 1N, 50



www.zanussiprofessional.com

Free Manuals Download Website

<http://myh66.com>

<http://usermanuals.us>

<http://www.somanuals.com>

<http://www.4manuals.cc>

<http://www.manual-lib.com>

<http://www.404manual.com>

<http://www.luxmanual.com>

<http://aubethermostatmanual.com>

Golf course search by state

<http://golfingnear.com>

Email search by domain

<http://emailbydomain.com>

Auto manuals search

<http://auto.somanuals.com>

TV manuals search

<http://tv.somanuals.com>