

ZANUSSI

INSTRUCTION BOOKLET
L101137
REPRODUCTION COPY

REFRIGERATOR ZC135R

INSTRUCTION BOOKLET

Important Safety Instructions



These warnings are provided in the interests of your safety. Ensure that you understand them all before installing or using the appliance. Your safety is of paramount importance. If you are unsure about any of the meanings or warnings contact the Customer Care Department.

Keep the instruction booklet. It will come in handy if you later sell the cabinet or give it to somebody else.

Prior to Installation

- Check the appliance for transport damage. Under no circumstances should a damaged appliance be installed. In the event of damage please contact your retailer.

Installation

- This appliance is heavy. Care should be taken when moving it.
- It is dangerous to alter the specifications or attempt to modify this product in any way.
- Ensure that the appliance does not stand on the electrical supply cable. If the supply cable is damaged, it must be replaced by a cable available from your local Service Force Center.
- Any electrical work required to install this appliance should be carried out by a qualified electrician or competent person.
- Parts which heat up should not be exposed. Whenever possible, the back of the appliance should be close to a wall, but leaving the required distance for ventilation, as stated in the installation instructions.
The appliance should be left for 2 hours after installation before it is turned on, in order to allow the refrigerant to settle.

Child Safety

- Do not allow children to tamper with the controls or play with the product.
- There is a risk of suffocation! Keep packaging material away from children.

During Use

- This appliance is designed for domestic use only, specifically for the storage of edible foodstuffs only.
It is not intended for commercial or industrial use.
- Containers with flammable gases or liquids can

leak at low temperatures. Do not store any containers with flammable materials, such as spray cans, fire extinguisher refill cartridges etc. in the refrigerator.

Maintenance and Cleaning

- Before cleaning, always switch off the appliance and disconnect from the electrical supply
- When unplugging always pull the plug from the mains socket, do not pull on the cable.

Servicing

- This product should be serviced by an authorised engineer and only genuine spare parts should be used.
- Under no circumstances should you attempt to repair the appliance yourself. Repairs carried out by inexperienced persons may cause injury or serious malfunctioning. Contact your local Service Force Centre.

At the end of the Appliance Life

- When disposing of your appliance use an authorised disposal site.
- Remove the plug and ensure that any locks or catches are removed, to prevent young children being trapped inside.
- Do not let sharp objects come into contact with the refrigerating system on the back of and inside the cabinet. If the refrigerating system is punctured, the cabinet will be damaged and foodstuff inside may spoil.
If the refrigerant circuit should become damaged:
avoid open flames and sources of ignition
thoroughly ventilate the room in which the appliance is situated
- Do not place carbonated or fizzy drinks in the freezer compartment. Bottles and cans must not be placed in the freezer compartment they can burst when the contents freeze.

Instructions for the user

Important Safety Instructions	2
Description of the Appliance	4
Control Panel	4
Use	4
Operation	4
Before use	5
To start the fridge and thermostat control	5
Measuring the temperature	6
Switching off	6
Cabinet interior	6
Hints and Tips	7
Normal Operating Sounds	7
Food Storage	7
Energy Saving Advice	7
Maintenance and Cleaning	7
Removing the ventilation grille	7
Internal Cleaning	8
External Cleaning	8
Defrosting the fridge	8
To Change the Light Bulb	8
When the appliance is not in use	9
Something Not Working	9
Service and Spare Parts	10
Customer Care Department	10
Guarantee Conditions	10
Standard Guarantee Conditions	10

European Guarantee	11
--------------------------	----

Instructions for the installer

Technical specification	11
Installation	11
Unpacking	11
Removing the transport supports	12
Installing the cabinet	12
Electrical connection	13
Door Reversal	14

Guide to use the instruction book

The following Symbols will be found in the text to guide you through the instructions



Safety instructions

1, 2, 3 ...

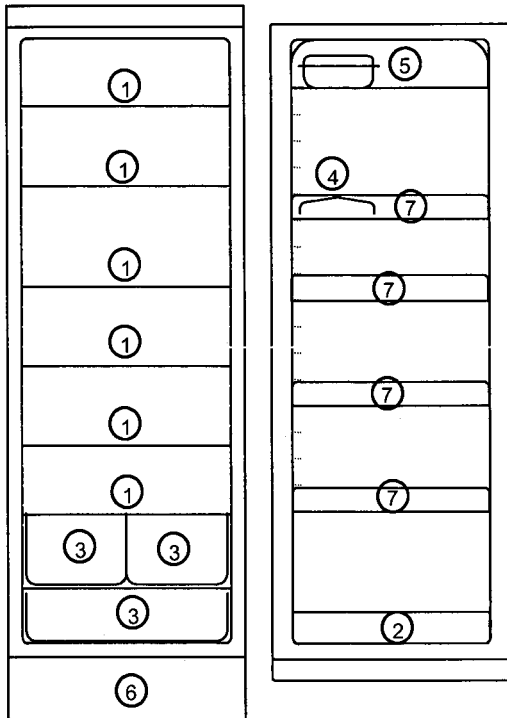
Step by step instructions for an operation



Hints and tips

Description of the Appliance

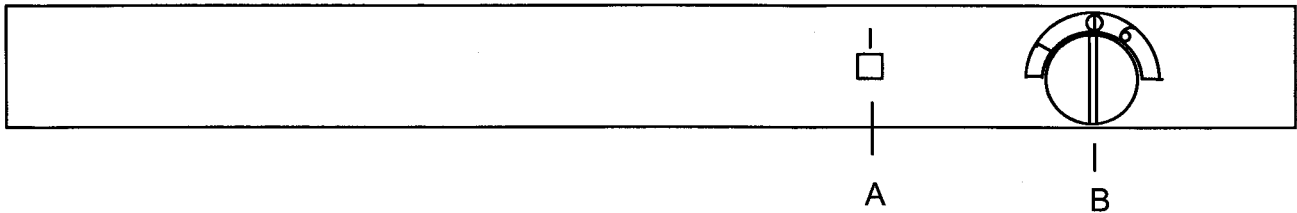
GB



Model ZC135R

1. Wire shelf
2. Bottle shelf
3. Vegetable drawer
4. Egg tray
5. Dairy compartment + butter box
6. Ventilation grille
7. Door shelf

Control Panel



A Green indicator light

Lights when the fridge is operating.

B Thermostat control

Use to switch on and set the desired temperature in the fridge.

Use

GB

Operation



This appliance is designed for domestic use only, specifically for the storage of edible foodstuffs.

This appliance is designed to operate in ambient temperatures (surrounding air temperature) between 10°C and 32°C.

If these temperatures are exceeded i.e., colder or warmer, the appliance will not operate correctly.

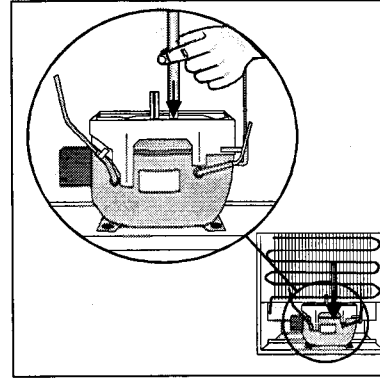
Before use

- Remove all securing tapes.
- Wash the inside of the appliance with lukewarm water with a little bicarbonate of soda added (5ml to 0,5 litre of water). Do not use soap or detergent as the smell may linger. Dry the appliance thoroughly.



Do not use detergents, abrasive powders, highly perfumed cleaning products, wax, polishes or products containing alcohol.

- Check that the drain hose at the rear of the cabinet discharges into the drip tray.
- Before inserting the power plug into the outlet and switching on the cabinet for the first time, leave it standing upright for about 30 minutes, or for 4 hours if it was transported horizontally. Otherwise the compressor may sustain damage. This time will allow the oil sufficient time to return to the compressor.



To start the fridge and thermostat control

Turn the thermostat control to the desired position.

1 :

The lowest position of the thermostat control results in the highest temperature inside the cabinet.

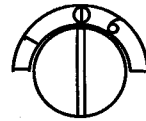
6 :

The highest position of the thermostat control results in the lowest temperature inside the cabinet.

0 :

Off.

Allow the cabinet to run for a period of 24 hours whenever the temperature setting is changed. This will allow the temperature to stabilise inside the cabinet.



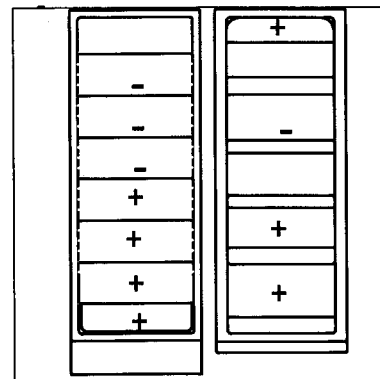
A suitable temperature inside the fridge is approx. 5°C. If the thermostat control is set too cold, food with a high water content may start to freeze if it has been placed in the coldest places in the fridge. The picture shows the coldest and warmest places inside the fridge.

(+ warm, - cold)

Meat, fish and milk should be put in the coldest part of the cabinet.

The temperature will be affected by:

- How often the door is opened
- How much food is stored
- Position of the appliance (See chapter Installation)

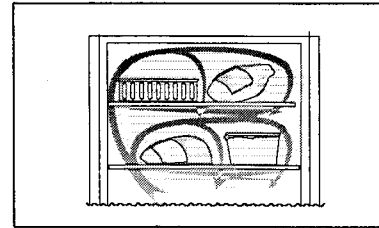
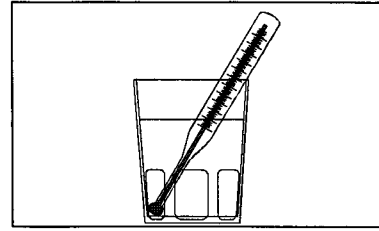


Measuring the temperature

If the temperature is measured using a standard, single thermometer, this should be put in a glass of water centrally placed inside the cabinet. This will reflect the temperature inside the food products. Do not place the thermometer hanging or lying directly on the shelf.

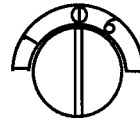


- Distribute foodstuffs to allow cold air to circulate freely between the products.
- Do not place food products directly against the cooling plate on the rear wall since they may freeze in this case.
- Also never put warm products into the cabinet. Wait until they have cooled down.
- Cover all foods properly to avoid odours and flavours from tainting other food.



Switching off

Set the thermostat control to the "0" position. Unplug the power supply plug from the wall socket or, alternatively, remove the fuse.



Cabinet interior

The shelves and door compartments are removable and can easily be re-arranged.

Certain shelves must be lifted up by the rear edge to enable them to be removed.

The lower door compartment and the glass shelf above the vegetable drawer must not be moved.

They are required for proper air circulation inside the cabinet.

Shelves with a raised edge should be placed with the raised edge facing the rear wall of the cabinet, and thus prevent food products from touching the cooling plate.

i Hints and Tips

GB

Normal Operating Sounds

- You may hear faint gurgling or bubbling sounds when the refrigerant is pumped through the coils or tubing at the rear, to the cooling plate/evaporator.
- When the compressor is on, the refrigerant is being pumped round, and you will hear a whirring sound or pulsating noise from the compressor.
- A thermostat controls the compressor and you will hear a faint “click” when the thermostat cuts in and out.

Food Storage

- To obtain the best results from your appliance, neither hot foods nor liquids which may evaporate, should be placed in the larder compartment.
- Keep the time between buying chilled food and placing it in your fridge as short as possible.
- Do not push food together too much, try to allow air to circulate around each item.
- Do not store food uncovered.
Remove suspect food from your refrigerator and clean, refer to cleaning and maintenance.

Energy Saving Advice

- Do not install the cabinet close to sources of heat such as a cooker, dishwasher or radiator.
- Locate the appliance in a cool well ventilated room and make sure that the air openings of the cabinet are not obstructed.
- Always leave warm food to cool down to room temperature before placing in the fridge.
- Try to avoid keeping the door open for long periods, or opening the door too frequently as warm air will enter the cabinet, and cause the compressor to switch on unnecessarily often.
- Ensure there are no obstructions preventing the door from closing properly.
- It is advisable to periodically clean the refrigeration system at the back of the appliance with a duster or vacuum cleaner.

Maintenance and Cleaning

GB

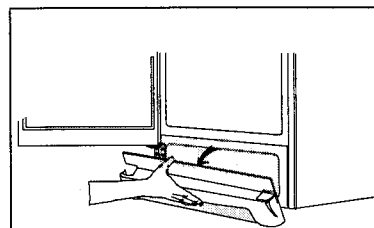


Before any maintenance or cleaning work is carried out **DISCONNECT** the appliance from the **ELECTRICITY** supply

Removing the ventilation grille

The ventilation grille can be removed, e.g. to wash the grille.

Make sure the door is open when removing the ventilation grille. Unsnap the upper edge of the grille by pulling outward/downward. Then pull the grille straight out to completely remove it.



Internal Cleaning

Clean the inside and the accessories with warm water and bicarbonate of soda (5 ml to 0,5 litre of water).

Rinse and dry thoroughly.



Do not use detergents, abrasive powders, high perfumed cleaning products, wax polishes or cleaning products containing bleach or alcohol .

Regularly check the door seals and wipe clean to ensure they are clean and free from debris. Disconnect the appliance from electricity supply. Clean out the drip channel inside the fridge at regular intervals and ensure that the drip channel is clear at all times. If blocked carefully clear using a piece of flexible curtain wire inserted into the drain outlet to remove the blockage.

External Cleaning

Wash the outer cabinet with warm soapy water. Remove the ventilation grille (see the section "Removing the ventilation grille") and vacuum-clean under the cabinet. Once or twice a year dust the condenser (black grille) and the compressor at the back of the appliance, with a brush or vacuum cleaner, as an accumulation of dust will affect the performance of the appliance and cause excessive electricity consumption.

Defrosting the fridge

The fridge is defrosted automatically every time the compressor stops. Frost formation can be prevented by:

- not putting warm foodstuff inside the cabinet.
- avoiding frequently opening the door or keeping it open too long.
- not placing foodstuffs directly against the cold cooling plate.

To Change the Light Bulb

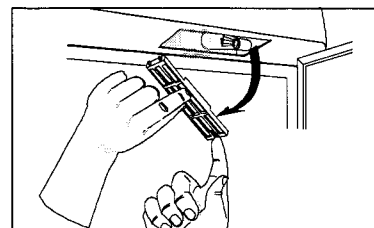
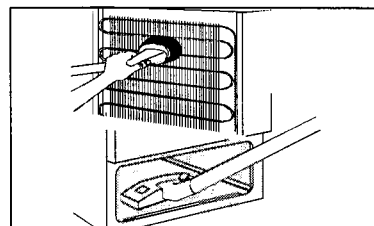
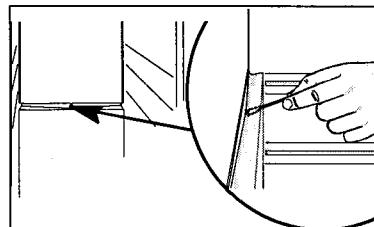
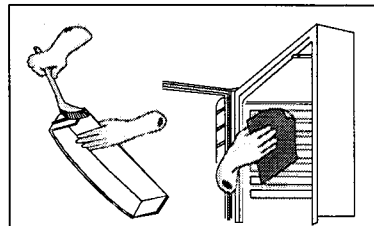
The light is switched on automatically when the door is opened. Before replacing the light bulb, disconnect the power plug from the outlet. Press the spring together and push the grille downward at the same time.

Use a bulb of the same type, E14 socket, maximum rating of 25 W.

When replacing the light bulb, use a bulb of the same type as the original one. The glass must measure at least 18 mm in diameter at the socket. This will ensure close fitting of the bulb against the rubber seal in the socket.



When moving the cabinet, lift it by the front edge to avoid scratching the floor.



When the appliance is not in use

Disconnect the appliance from electricity supply.
Empty all foods and clean the appliance, leaving the doors ajar to prevent unpleasant smells.

Something Not Working

Before contacting your local Service Force Centre check the following points:

Symptom	Solution
The temperature is too high inside the refrigerator.	Set a lower temperature. Put food products in the right place inside the refrigerator. See the chapter "Temperature inside the refrigerator". Distribute the food products to allow cold air to circulate around them. Make sure that the door is completely closed and that the insulating strip is complete and clean.
It is too cold inside the refrigerator.	Set a higher temperature. Vegetables and other products that are easily frozen have been placed on a "too cold" shelf. See the chapter "To start the fridge and thermostat control".
There is water on the cooling plate inside the refrigerator.	This is normal. During automatic defrosting, frost thaws on the cooling plate.
Water is running inside the refrigerator.	Clean the water drain and drain hole inside the refrigerator using e.g. cotton swabs or a bottle cleaner brush. Food products could have been placed stopping the water from running into the drain.
Water comes out on the floor.	Place the drain hose at the back of the cabinet above the drain bowl. See the chapter "Before use"
The compressor operates continuously.	Set a higher temperature. Make sure that the door is completely closed and that the insulating strip is complete and clean.
The cabinet does not operate at all. Cooling or interior light does not operate. No indicator lamps light.	The power plug is not properly connected. The fuse has blown. The cabinet is not switched on. Power does not reach the cabinet. (Try connecting another electrical device to the power outlet.)
Noise	See "Normal operating Sounds" page 7

If after above checks there is still a fault call your local Service Force Center.

In-guarantee customers should ensure that the above checks have been made as the engineer will make a charge if the fault is not a mechanical or electrical breakdown.

Please note that proof of purchase is required for in-guarantee service calls.

Service and Spare Parts



In the event of your appliance requiring service, or if you wish to purchase spare parts please contact your local Zanussi Service Force Centre by telephoning:

08705-929929

Your call be routed the Service Force Centre covering your post code area. The address of your local Service Force Centre is detailed in the accompanying Customer Care Book.

Before calling out an engineer, please ensure you have read the details under the heading "Something Not Working" and have the model number and purchase date to hand.

Please note that it will be necessary to provide proof of purchase for any in-guarantee service calls.

In -guarantee customer should ensure that the checks under the heading "Something Not Working" have been made as the engineer will make a change if the fault is not a mechanical or electrical breakdown.

Customer Care Department



For general enquiries concerning your Zanussi appliance or further information on Zanussi products, you are invited to contact our Customer Care Department by letter or phone as follows:

Customer Care Department
Zanussi
55-77 High Street
Slough
Berkshire
SL1 1DZ

Phone: 08705 727 727

Guarantee Conditions



Standard Guarantee Conditions

We, undertake that if within 12 months of the date of the purchase this appliance or any part thereof is proved to be defective by reason only of faulty workmanship or materials, we will, at our option repair or replace the same FREE OF CHARGE for labour, materials or carriage on condition that:

- The appliance has been correctly installed and used only on the electrical supply stated on the rating plate.
- The appliance has been used for normal domestic purposes only, and in accordance with the manufacturer's instructions.
- The appliance has not been serviced, maintained, repaired, taken apart or tampered with by any person not authorised by us.
- All service work under this guarantee must be undertaken by a ZANUSSI SERVICE CENTRE.
- Any appliance or defective part replaced shall become the company's property.
- This guarantee is in addition to your statutory and other legal rights.

Home visits are made between 8.30am and 5.30pm Monday to Friday. Visits may be available outside these hours in which case a premium will be charged.

Exclusions

This guarantee does not cover:

- Damage or calls resulting from transportation, improper use or neglect, the replacement of any light bulbs or removable parts of glass or plastic.
- Costs incurred for calls to put right an appliance which is improperly installed or calls to appliances outside the United Kingdom.
- Appliances found to be in use within a commercial environment plus those those which are subject to rental agreements.
- Products of Zanussi manufacture which are not marked by Zanussi.

European Guarantee

If you should move to another country within Europe then your guarantee moves with you to your new home subject to the following qualifications:

- The guarantee starts from the date you first purchased your product.
- The guarantee is for the same period and the same extent for labour and parts as exists in the new country of use for this brand or range of products.
- This guarantee relates to you and cannot be transferred to another user
- Your new home is within the European Community (EC) or European Free Trade Area.
- The product is installed and used in accordance with our instructions and is only used domestically, i.e. a normal household.
- The product is installed and taking into account regulations in your new country.

Before you move please contact your nearest Customer Care Centre, listed below, to give them details of your new home. They will then ensure that the local Service Organisation is aware of your move and able to look after you and your appliances.

France	Senlis	+33 (0)3 44 62 22 22
Germany	Nürnberg	+49 (0)911 323 26 00
Italy	Prodenone	+39 (0)1678 47053
Sweden	Stockholm	+46 (0) 20 78 77 55
UK	Slough	+44(0) 1753 21 98 97

Technical specification



model	ZC135R
net volume	328 l
width	595 mm
height	1600 mm
depth	600 mm
energy consumption	292 kwh/year *
energy class	C
rated power	110
weight	61 kg
number of compressors	1

* This figure is based on standard test result to the European Standard EN153. Actual consumption will depend on how the appliance is used and where it is located.

Installation



Unpacking

Unpack the cabinet and check that it is in good condition and free of any transport damage. Notify the dealer immediately of any damage. Hand the packaging over for recycling.



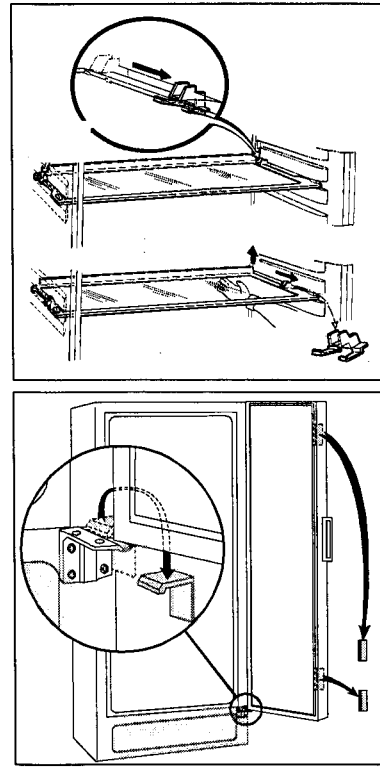
Do not allow children to play with the packaging. The plastic film can cause suffocation.

Removing the transport supports

Remove the tape and the transport supports from

- the door sides
- inside the door hinges
- the shelves

Remove the transport support on the glass shelf by pushing the support forward along the edge of the shelf until it stops at the protuberance of the shelf. Take hold of the rear edge of the glass shelf and pull the shelf and transport support forward until the shelf tilts and the transport support can be removed. Some models are fitted with a silencing pad under the cabinet. Do not remove this pad.

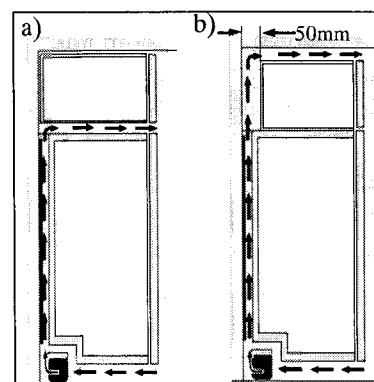
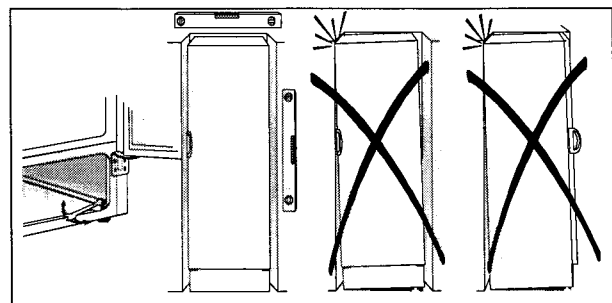


Installing the cabinet

To obtain the best performance from the cabinet, ensure:

- the cabinet is placed in a dry, cool place and is not exposed to direct sunlight.
- the cabinet is not placed close to a source of heat, e.g. a cooker or dishwasher.
- the room in which the cabinet is placed has a temperature of $+10^{\circ}\text{C}$ to $+32^{\circ}\text{C}$.
- the cabinet is level. The cabinet should not lean against any wall. If necessary adjust the feet using the supplied adjustment spanner.
- there is good air circulation around the cabinet and that the air channels below and behind the cabinet are not blocked. The ventilation space above the cabinet and any grocery/top cabinet must be at least 200 cm^2 .
The ventilation space can either be
 - a) directly above the cabinet, or
 - b) behind and above the top cabinet. In this case, the space behind the cabinet must be at least 50 mm deep.

If the cabinet is placed in a corner and the side with the hinges faces the wall, the distance between the wall and the cabinet must be at least 10 mm to allow the door to open enough so that the shelves can be removed.



Electrical connection



Any electrical work required to install this appliance should be carried out by a qualified electrician or competent person. This appliance must be earthed.

The manufacturer declines any liability should these safety measures not be observed.


Electrical Requirements

Before switching on, make sure the electricity supply voltage is the same as that indicated on the appliance rating plate.

The appliance is supplied with a 13amp plug fitted. In the event of having to change the fuse in the plug supplied, a 13amp ASTA approved (BS1362) fuse must be used.

Should the plug need to be replaced for any reason. The wires in the mains lead are coloured in accordance with the following code:

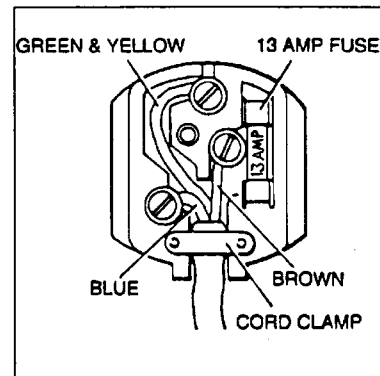
Green and yellow	-Earth
Blue	-Neutral
Brown	-Live

The wire coloured green and yellow must be connected to the terminal marked with the letter "E" or by the earth symbol  or coloured green and yellow.

The wire coloured blue must be connected to the terminal marked "N" or coloured black

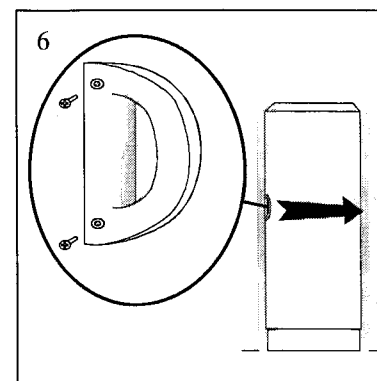
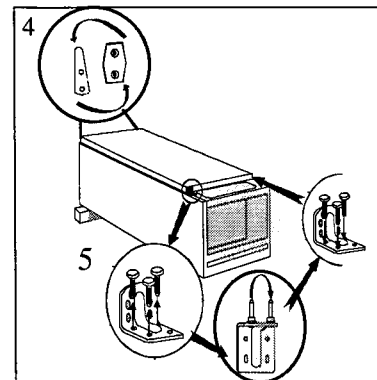
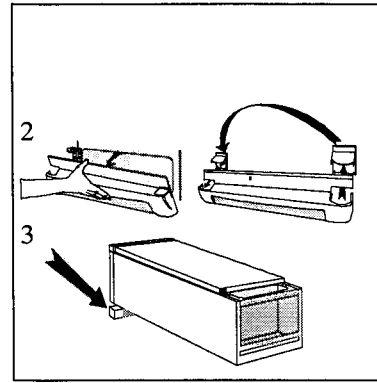
The wire coloured brown must be connected to the terminal marked "L" or coloured red.

Upon completion there must be no cut, or stray strands of wire present and the cord clamp must be secure over the outer sheath.



Door Reversal

1. Close the cabinet and pull out the plug from the electrical outlet.
2. Remove the ventilation grille. There is a part on the grille that can be removed. Remove it and transfer to the opposite side.
3. Support the cabinet on a wooden block when it is laid down. It will be easier to grip under the cabinet when returning to an upright position.
4. On the upper part of the cabinet. Put the hinge pin on the other side.
5. On the lower part of the cabinet. Unscrew the hinge. Move the hinge pin and plastic cover. Secure the hinge on the other side. Raise the cabinet and replace the ventilation grille.
6. Unscrew the handle. Carefully press in the plastic plugs on the opposite side using a punch. Secure the handle in the plug holes. Then press the supplied plastic plugs into the holes to which the handle was previously fitted.
7. Put the cabinet in position. Check that it stands straight. See the section "Positioning the cabinet".



CE

Free Manuals Download Website

<http://myh66.com>

<http://usermanuals.us>

<http://www.somanuals.com>

<http://www.4manuals.cc>

<http://www.manual-lib.com>

<http://www.404manual.com>

<http://www.luxmanual.com>

<http://aubethermostatmanual.com>

Golf course search by state

<http://golfingnear.com>

Email search by domain

<http://emailbydomain.com>

Auto manuals search

<http://auto.somanuals.com>

TV manuals search

<http://tv.somanuals.com>