

INSTRUCTION BOOKLET

**ZANUSSI**

**COOKER HOOD**  
**ZHC 925**

Thank you for buying a Zanussi product.

To enable you to use your appliance effectively and safely, please read this instruction book carefully before using the appliance and retain for future reference. If you require guidance in the use of the appliance or require further information on Zanussi Products, please contact our Customer Care Department. For general enquiries concerning your Zanussi appliance or for further information, visit our website at <http://www.zanussi.co.uk>

Customer Care Department  
Zanussi  
55-77 High Street  
Slough  
Berkshire  
SL1 1DZ

Tel: 08705 727727(\*)  
Fax: 01753 538972

\* Calls to this number may be recorded for training purposes.

To register ownership, please ensure you complete and return the guarantee card supplied with the appliance.

## For the User

### Important Safety Information

#### Your Appliance

#### Operating Instructions

Cooker Hood Controls

To Operate

Recirculation

Extraction

#### Maintenance and Cleaning

External Cleaning

Metal Grease Filters

Charcoal Filters

To Remove/Replace the Charcoal  
Filters

Changing the Light Bulb

#### Something Not Working

#### Service and Spare Parts

#### Guarantee Conditions

## For the Installer

Technical Information

### Electrical Connection

Electrical Requirements

Electrical Connection

### Installing the Cooker Hood

Installation Requirements

Unpacking

Clearance Heights

Fitting the Wall Brackets

Fitting the Canopy Hood

Venting

Recirculation

Fitting the Chimney Stack

### Service Force Centres

## Guide to use the instruction book

The following Symbols will be found in the text to guide you through the instruction book



Safety instructions



Step by step instructions

## IMPORTANT SAFETY INFORMATION

These warnings are provided in the interests of your safety. Ensure that you understand them all before installing or using this appliance. Your safety is of paramount importance. If you are unsure about any of the meanings of these warnings contact the Customer Care Department.

### ■ Installation

- Any installation work must be undertaken by a qualified electrician or a competent person.
- This hood must be installed in accordance with the installation instructions and all measurements must be adhered to.
- If the cooker hood is installed for use above a gas appliance then the provision for ventilation must be in accordance with the Gas Safety Codes of Practice BS.6172, BS.5440 and BS.6891 (Natural Gas) and BS.5482 (LP Gas) 1994, the Gas Safety (Installation & Use) Regulations, the Building Regulations issued by the Department of the Environment, the Building standards (Scotland) (Consolidated) Regulations issued by the Scottish Development Department.
- The fan motor of this cooker hood incorporates a cut-out device which will operate if the cooker hood is installed below the minimum height recommended under section 'Clearance Height', or if the motor becomes overheated. If the cut-out device is activated, switch off the fan motor and allow the cooker hood to cool. The cut-out device will reset itself when the fan motor has cooled significantly.
- It is dangerous to alter the specifications or modify this product in any way.
- When installed between adjoining wall cabinets the wall cabinets must not overhang the hob.
- If the room where the hood is to be used contains a fuel burning appliance such as a central heating boiler then its flue must be of the room sealed or balanced flue type.
- If other types of flue or appliances are fitted ensure that there is an adequate supply of air to the room.
- The ducting system for this appliance must not be connected to any existing ventilation system which is being used for any other purpose.
- Do not install above a cooker with a high level grill.

### ■ Child Safety

- This appliance is designed to be operated by adults. Children should not be allowed to tamper with the controls or play with the appliance.

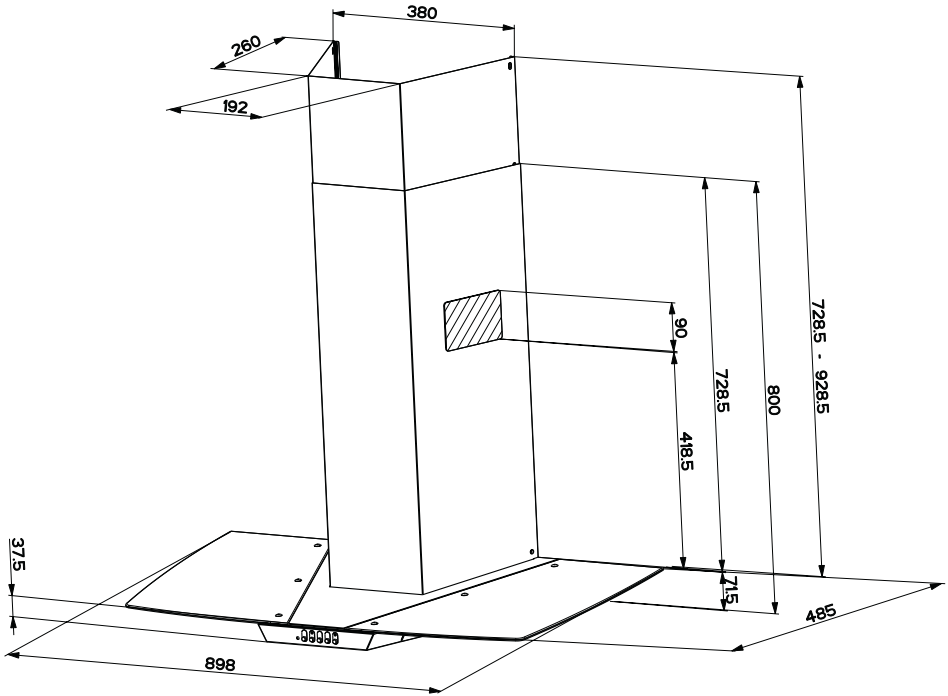
### ■ During Use

- This product is for domestic use only.
- Never leave frying pans unattended during use as over-heated fats and oils might catch fire.
- Never do flambé cooking under this cooker hood.
- Do not leave naked flames under the hood.

### ■ Maintenance and Service

- This appliance can be a hazard if the synthetic paper and charcoal filters are not replaced as recommended.
- Under no circumstances should you attempt to repair the appliance yourself. Repairs carried out by inexperienced persons may cause injury or more serious malfunction. Refer to your local Zanussi Service Force Centre. Always insist on genuine spare parts.

## YOUR APPLIANCE



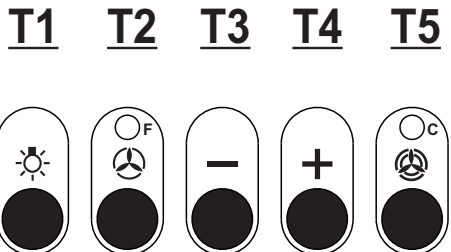
## OPERATING INSTRUCTIONS

This cooker hood is designed to extract unpleasant odours from the kitchen, it will not extract steam.

### Cooker Hood Controls

The cooker hood functions are controlled by five push button switches located centrally in the control fascia.

- T1** Turns the worktop lighting On and Off
- T2** Turns the fan motor On and Off
- T3** Decreases the fan speed
- T4** Increases the fan speed
- T5** Intensive fan speed with timed programme. Select when cooking foods with strong odours or when frying. To cancel depress the button again.



## To Operate

Select the required fan speed and light if required.

The appliance can be installed to recirculate or extract contaminated air. The cooker hood is more effective when used in the extraction mode.

## Recirculation

The cooker hood is supplied specified for use in the recirculation mode with the charcoal filter fitted.

In the recirculation mode the contaminated air is passed through the charcoal filters to be purified and recirculated into the kitchen through the recirculation grilles in either side of the chimney stack.

## Extraction

In the extraction mode the contaminated air enters the cooker hood passing through the grease filters and is passed out through the ducting into the atmosphere.

To obtain the best performance when cooking it is advisable to switch the cooker hood on for a few minutes before you start cooking and leave it running for about 15 minutes after finishing.



*When used in the ducting mode the charcoal filters are not required.*

*Never do flambé cooking under this cooker hood.*

*Never leave frying pans unattended during use as overheated fats and oils can catch fire.*

*Do not leave naked flames under the cooker hood.*

*Ensure heating areas on your hob are covered with pots and pans when using the hob and cooker hood simultaneously.*

# MAINTENANCE AND CLEANING



Before carrying out any maintenance or cleaning isolate the cooker hood from the mains supply.

The cooker hood must be kept clean, as a build up of grease or fat can be a fire hazard.

## External Cleaning

Wipe the cooker hood frequently with warm soapy water using a mild detergent.



Never use scouring pads or abrasive cleaners.

Never use excessive amounts of water when cleaning particularly around the control panel.

## Metal Grease Filters

The grease filters absorb grease and dust during cooking to help keep the cooker hood clean inside.



### Cleaning

The filters must be washed when the LED lamp on the push button switch T2 starts to flash or at least once every month, using a normal household detergent; their compact dimension also enables them to be washed in a dishwasher. Allow to dry completely before replacing.

### Replacing

Remove the filters one at a time, press against the metal catch to release the spring catch as illustrated in Fig. 1. When replacing, ensure that the handles face outwards.

### Enabling the alarm signal

The hood is already primed to trigger an alarm when the grease filters become saturated with grease and this function does not need to be enabled.

### Resetting the alarm signal

To reset the alarm proceed as follows: - Depress T1 and T2 to switch off the lights and the fan motor; press T4 for at least 3 seconds, until the LED flashes to confirm the alarm has reset. The alarm will only function when the fan motor is switched on.

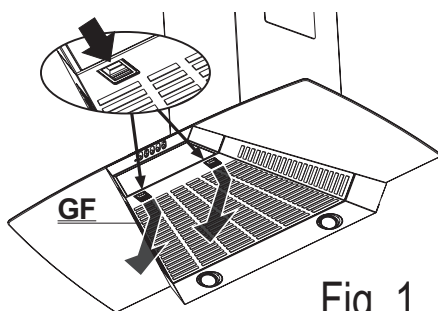


Fig. 1

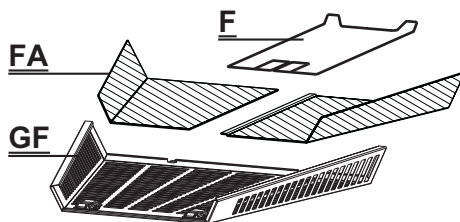


Fig. 2

## Charcoal Filters

In the recirculation mode the charcoal filters absorb smells and unwanted odours.

The charcoal filters cannot be cleaned or regenerated, and must be replaced when the Intensive speed LED T5 starts to flash, or at least once every 3 months.

Attention: If, when used in the recirculation mode both the T2 and T4 LED indicator lights begin to flash simultaneously this indicates the both the charcoal filter needs replacing and the grease filters need cleaning.



### Replacing the charcoal filter

First remove the metal grease filter GF as illustrated in Fig. 1.

Carefully remove the screw from the centre of the charcoal filter, while holding the filter securely.

Clean the grille before replacing the charcoal filter.

To replace the charcoal filter, place the filter over the inlet grille and while holding the filter with one hand insert the screw and tighten by hand as illustrated in Fig. 3.



*This appliance can be a possible fire hazard if the grease and charcoal filters are not cleaned and replaced as recommended.*

### Changing the Light Bulb

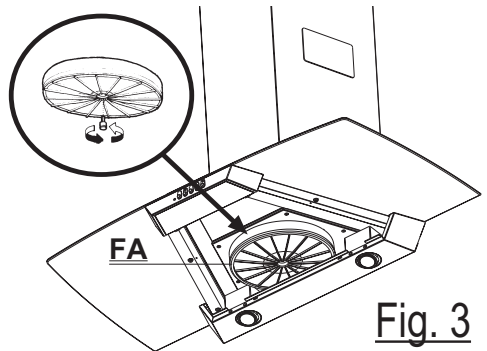
Unscrew the two screws from the frame around the lamp lens as illustrated in Fig. 4.

Remove the lamp by carefully pulling it downwards until it clears the holder.

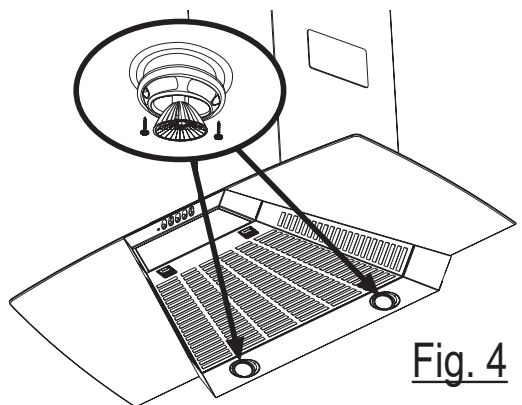
When replacing the lamp, ensure the two pins are correctly positioned before inserting the lamp into the holder by applying careful pressure to the lamp lens.

If one of the halogen lamps has failed to function check that the lamps is correctly seated into the holder. If the lamp has failed then it should be replaced with a 20W spotlamp.

**Replacement filters and light bulbs can be obtained from your local Service Force Centre.**



**Fig. 3**



**Fig. 4**

## SOMETHING NOT WORKING

If, having followed these instructions carefully, your cooker hood fails to work properly please carry out the following checks.

Symptom	Solution
The cooker hood will not start	<ul style="list-style-type: none"><li>• Check the hood is connected to the electricity supply.</li><li>• Check that the fan speed control is set to 1, 2 or 3.</li></ul>
The cooker hood is not working effectively	<ul style="list-style-type: none"><li>• The fan speed is set high enough for the task.</li><li>• The grease filter is clean.</li><li>• The kitchen is adequately vented to allow the entry of fresh air.</li><li>• If set up for recirculation, check that the charcoal filter is still effective.</li><li>• If set up for extraction, check that the ducting and outlets are not blocked.</li></ul>
The cooker hood has switched off during operation	<ul style="list-style-type: none"><li>• The safety cut-out device has been tripped.</li><li>• Turn off the hob and then wait for the device to reset.</li></ul>

If after all these checks, the problem persists, contact your local Service Force Centre, quoting the model and serial number.

Please note that it will be necessary to provide proof of purchase for any in-guarantee service calls.

**In-guarantee customers should ensure that the above checks have been made as the engineer will make a charge if the fault is not a mechanical or electrical breakdown.**

## SERVICE AND SPARE PARTS

If you require an engineer or wish to purchase spare parts contact your local Service Force Centre by telephoning:

**08705 929929**

Your telephone call will be routed to your local Service Force Centre. The addresses are listed at the back of the book.

For general assistance with your appliance or for information on Zanussi products please contact our Customer Care Department.

Customer Care Department,  
Zanussi  
55-77 High Street  
Slough  
Berkshire  
SL1 1DZ

Tel: 08705 727 727(\*)

\*calls to this number may be recorded for training purposes.



## GUARANTEE CONDITIONS

We, Zanussi, undertake that if within twenty four months of the date of the purchase this Zanussi built-in product or any part thereof is proved to be defective by reason only of faulty workmanship or materials, the company will, at our option repair or replace the same FREE OF ANY CHARGE for labour, materials or carriage on condition that:

- The appliance has been correctly installed and used only on the electrical supply stated on the rating plate.
- The appliance has been used for normal domestic purposes only, and in accordance with the manufacturer's operating and maintenance instructions.
- The appliance has not been serviced, maintained, repaired, taken apart or tampered with by any person not authorised by us.
- All service work under this guarantee must be undertaken by a Zanussi Service Force Centre.
- Any appliance or defective part replaced shall become the property of this company.

Home visits are made between **8.30am and 5.30pm Monday to Friday**. Visits may be available outside these hours in which case a premium will be charged.

### EXCLUSIONS

**This Guarantee does not cover:**

- Damage or calls resulting from transportation, improper use or neglect, the replacement of any lamps or removable parts of glass or plastic.
- Costs incurred for calls to put right appliances improperly installed or calls to appliances outside the United Kingdom.
- Appliances found to be in use within a commercial environment, plus those which are the subject of rental agreements.
- Products of Zanussi manufacture which are not marked by Zanussi.

This guarantee is in addition to your statutory and legal rights.

### ZANUSSI EUROPEAN GUARANTEE

If you should move to another country within Europe then your guarantee moves with you to your new home subject to the following qualifications:

- The guarantee starts from the date you first purchased the product.
- The guarantee is for the same period and to the same extent for labour and parts as exists in the new country of use for this brand or range of products.
- This guarantee relates to you and cannot be transferred to another user.
- Your new home is within the European Community (EC) or European Free Trade Area.
- The product is installed and used in accordance with our instructions and is only used domestically, i.e. a normal household.

**Before you move please contact your nearest Customer Care Centre, listed below, to give them details of your new home. They will then ensure that the local Service Organisation is aware of your move and able to look after you and your appliances.**

France	Senlis	+33 (0)3 44 62 22 22
Germany	Nurnberg	+49 (0)911 323 2600
Italy	Pordenone	+39 (0)1678 47053
Sweden	Stockholm	+46 (0)20 78 77 50
United Kingdom	Slough	+44 (0)1753 219 897

# INSTALLATION INSTRUCTIONS



*It is dangerous to alter the specifications or attempt to modify this product in any way.*

## Technical information

### DIMENSIONS

HEIGHT OF CANOPY:	71.5mm
HEIGHT OF CHIMNEY: (UPPER SECTION)	215mm
(LOWER SECTION)	728.5mm
WIDTH OF CANOPY:	898mm
DEPTH OF CANOPY:	485mm

### ELECTRICAL SUPPLY

VOLTAGE:	(~50Hz)	220-240V
POWER CONSUMPTION:		240W
FAN MOTOR:		200W
LAMPS:	(2 x20W Halogen)	40W

### SUITABLE FOR - INSTALLATION ABOVE:

ELECTRIC HOB:	7KW (MAX)
GAS HOB:	10KW (MAX)
SLOT-IN ELECTRIC COOKER:	12.4KW (MAX)
SLOT-IN GAS COOKER:	13.5KW (MAX)



**Note: CE Marking certifies that this appliance complies with the requirements laid down in EEC directive 89:336. (Electromagnetic compatibility) and subsequent modifications and Low Voltage directive 72/23/E.**

## ELECTRICAL CONNECTIONS



**THIS APPLIANCE MUST BE EARTHED**

### Electrical Requirements

Any permanent electrical installation must comply with the latest I.E.E. Regulations and local Electricity Board regulations. For your own safety this should be undertaken by a qualified electrician e.g. your local Electricity Board, or a contractor who is on the roll of the National Inspection Council for Electrical Installation Contracting (NICEIC).

### Electrical Connection

Before connecting to the mains supply ensure that the mains voltage corresponds to the voltage on the rating plate inside the cooker hood.

This appliance is fitted with a 3 core mains cable and must be permanently connected to the electricity supply via a double-pole switch having 3mm minimum contact gap on each pole. A Switched Fuse Connection Unit to BS.1363 Part 4, fitted with a 3 Amp fuse, is a recommended mains supply connection accessory to ensure compliance with the Safety Requirements applicable to fixed wiring instructions.

This appliance conforms to BS.800:1988 and EEC Directive No. 78 308 regarding suppression of radio and television interference.

## INSTALLING THE COOKER HOOD

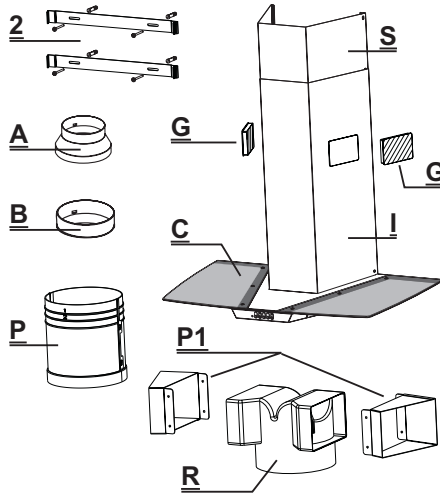


Fig. 5

**Please ensure that when the appliance is installed it is easily accessible to an engineer in the event of a breakdown.**



*All installations must comply with the local authorities requirements for the discharge of exhaust air.*

*Incorrect installation may affect the safety of this cooker hood.*

### Installation Requirements



*Before installation check that the wall to which the cooker hood is to be fitted for electric cables, water and gas pipes.*

This cooker hood is designed to be fixed to any vertical surface over a cooking area, and can be used in the extraction (ducted to the outside) or recirculation mode. The installation work must be undertaken by a qualified and competent person.

The manufacturer disclaims any responsibility for damage due to incorrect installation of the cooker hood or if the hood is not installed in compliance with relevant regulations controlling this type of installation.

### Unpacking

**The hood is supplied with the following components for installation as illustrated in Fig. 5:**

- Ducting spigot 150 to 120mm (A)
- Ducting flange 120 to 125mm (B)
- Canopy (C)
- 2 Recirculation grilles (G)
- Lower chimney stack 728.5mm (I)
- Recirculation ducting (P)
- Recirculation spigot extensions (P1)
- Recirculation spigot (R)
- Upper chimney stack 215mm (S)
- Wall fixing brackets (2)
- Document pack.

## Clearance Heights

The cooker hood is designed to be fitted over a cooking appliance at the clearance heights stated, providing the maximum output of the appliance beneath does not exceed the maximums quoted in the Technical Specifications.

If the output of the appliance below the cooker hood exceeds the maximum outputs quoted, please refer to the cooker manufacturer's installation instructions.

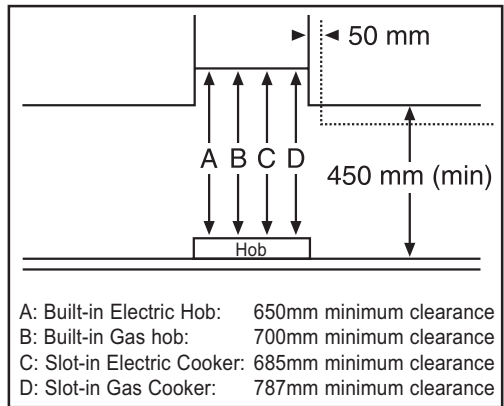
A minimum clearance height of 650 mm (25½ ins) is required when installed above a built-in electric hob, or 700 mm (27½ ins) when installed above a built-in gas hob.

A minimum clearance height of 685 mm (27 ins) is required when installing above a slot-in electric cooker, or 787 mm (30½ ins) when installed above a slot-in cooker.

When installed between adjoining wall cabinets, the wall cabinets must not overhang the hob and the distance between the underside of the cabinet and the worktop must be 450 mm (17½ ins), a gap of 50 mm (2 ins) must be maintained either side of the hob.



*This cooker hood must not be installed above a cooking appliance with a high level grill.*



**Fig. 6**



## Fitting the Wall Brackets

Draw a vertical line on the wall, from the centre of the cooking appliance up to the ceiling, using a spirit level and marker pen. This is to ensure the correct vertical alignment of the appliance.

### Fixing the first wall brackets No 2

Draw a horizontal line through the vertical approximately 1 or 2mm from the ceiling or from a line on the wall where the upper chimney stack will finish. Place the top edge of the bracket under the line on the wall aligning the centre of the bracket with the vertical line. If the alignment is correct mark the centres for the key hole bracket fixing screws (not supplied) as illustrated in Fig. 7 - a.

### Fixing the second wall bracket No 2

Draw a horizontal line through the vertical at X. X is determined by the height of the upper chimney. Place the bottom edge of the bracket against the line, aligning the centre of the bracket with the vertical line.

If, the alignment is correct mark the centres for the keyhole fixing screws (not supplied) as illustrated in Fig. 7 - a.

Drill the holes for the fixing screws and fix the wall brackets.

*Ensure that the distance between the lowest point of the hood and the cooking appliance beneath meets the clearance requirements quoted above.*

### Fixing holes for the canopy

Draw a horizontal line through the vertical, using a spirit level and marker pen at  $d=948\text{mm}$  (min.) as illustrated in Fig. 7 - a.

Drill the holes for the fixing 4.2x44.4mm screws using an 8mm masonry drill. Tighten the screws, leaving a gap between the screw heads and the wall of 5-6mm to enable the canopy to be hung on the screws. The canopy can be adjusted in height once in position from 0-20mm.

**Note:** If the hood is to be installed onto a hollow construction or plaster or partition board wall then special fixings will be required (not supplied).

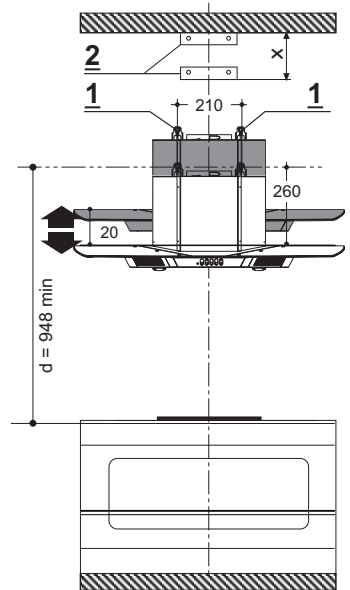


Fig. 7 - a

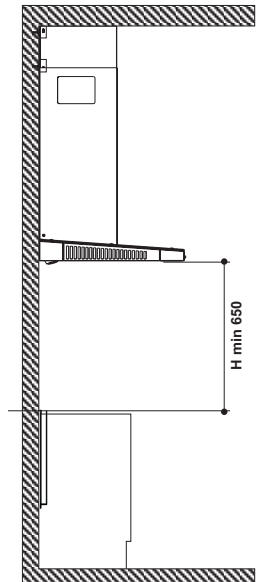


Fig. 7 - b



## Fitting the Canopy Hood

Before starting to fix the canopy it will be necessary to adjust the support brackets S1 by turning the screws clockwise until the limit of the thread is reached as illustrated in Fig. 8.

- a- Hook the canopy onto the two 4.2x44.4mm screws S1 fitted as described above and illustrated in Fig. 9.
- b- Using a screw driver and spirit level, adjust the screws S1 until the canopy is level. Once the canopy is level, tighten up the wall fixing screws to secure the canopy.

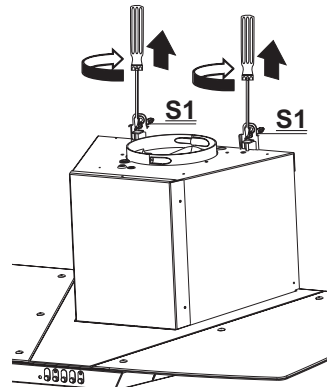


Fig. 8



## Electrical connection and working test

Before fitting the chimney to the canopy make the electrical connection as described in the section titled "ELECTRICAL CONNECTION". When the electrical connection has been made, test the three speed fan and worktop illumination.

## Venting

The hood is more effective when used in the extraction mode (ducted to the outside).

**Venting kits may be purchased through your retailer or DIY store, and must be ducted to an outside vent of 125mm (5").**

*The ducting used must be manufactured from fire retardant material conforming to the relevant British Standard or DIN 4102-B1.*

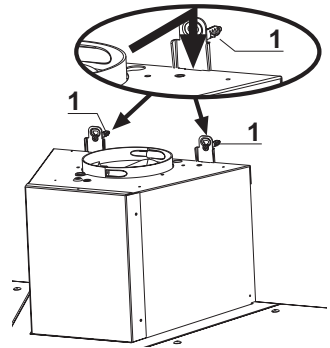


Fig. 9

When the cooker hood is ducted to the outside the charcoal filter must be removed.

## Recirculation

The cooker hood is supplied specified for use in the recirculation mode, with the charcoal filters fitted.

In the recirculation mode contaminated air is passed through the charcoal filters to be purified and recirculated into the kitchen through the grille outlets on either side of the chimney (G).

To assemble the recirculation duct, place the 'push-fit' recirculation extension pipe P over the spigot on the top of the canopy; place the 'push-fit' spigot R on to the pipe P and insert the extension pieces P1 into either side of the spigot as illustrated in Fig. 10.

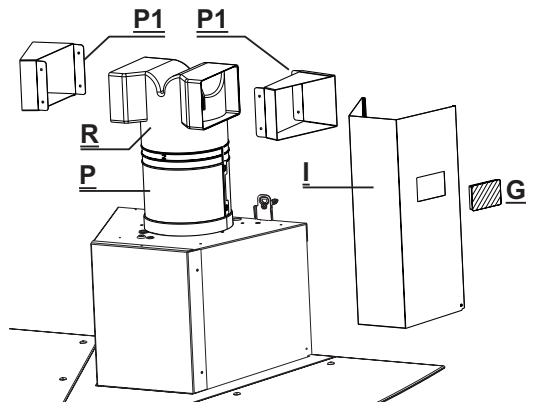


Fig. 10

*Note: The two venting grilles must not be fitted into the lower chimney (I) until the chimney has been installed.*

## Extraction

The charcoal filter is not required in this mode and should be removed.

## Ducting

The ducting used must be 150mm (6ins), or 125mm (5ins) in diameter.

If possible duct through the wall immediately above the canopy.

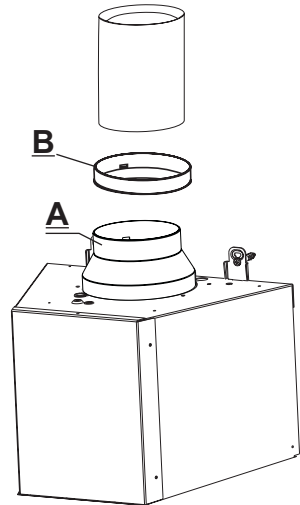
For the best performance use the shortest possible duct run and the minimum number of bends.

Where flexible ducting is fitted it should not be turned through very tight bends as this may impair the performance of the hood.

It is recommended a maximum length of 3 metres, to be installed, to be reduced 1 metre for each 90° bend installed in the ducting run.

If the distance is greater than 3 metres the efficiency of the hood could be impaired.

The diameter of the spigot on top of the hood is 150mm (6ins). When 125mm ducting is to be used it will be necessary to install the ducting adapter (A) 150mm (6ins) to 120mm (5ins) and the ducting collar (B) 120mm to 125mm as illustrated in Fig. 11.



**Fig. 11**



*If the room where the cooker hood is to be used contains a fuel burning appliance such as a central heating boiler, then its flue must be of the room sealed or balanced flue type.*

*If other types of flue or appliances are fitted ensure that there is an adequate supply of air to the room.*

*The cooker ducting (extraction mode) must never be connected to central heating flues, radiators or water heaters etc.*

## Fitting the Chimney Stack

The chimney consists of two sections. The upper chimney measures 215mm and the lower chimney (with the holes for recirculation on either side) measures 728.5mm.

To fit the upper section (S) first expand the chimney slightly to allow it to be fitted over the brackets 2, and then secure the chimney stack to brackets using the four self tapping screws provided as illustrated in Fig. 12.

To fit the lower chimney section (I) expand the chimney slightly to allow it to be fitted over the upper chimney (S) and the canopy (C) as illustrated in Fig. 8.

Secure the bottom of the chimney to the canopy using the self tapping screws provided as illustrated in Fig. 12.

After the chimney has been secured into position, insert the two plastic recirculation grilles in to the apertures on each side of the chimney. The grilles are marked with two arrows and should be fitted with one arrow pointing upwards and the other toward the front.

When the hood is used in the recirculation mode ensure that the grilles are properly secured to the recirculation spigot R as illustrated in Fig. 13.

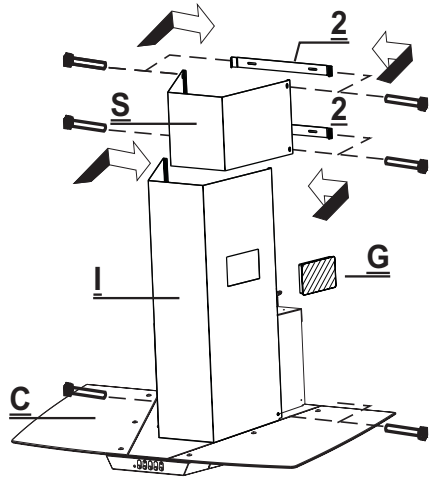
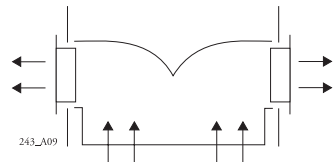


Fig. 12

Fig. 13





To contact your local Service Force Centre telephone **08705 929 929**

<p style="text-align: center;"><b>CHANNEL ISLANDS</b></p> <p><b>GUERNSEY</b>      Guernsey Electricity PO Box 4 Vale, Guernsey Channel Islands GY1 3AD</p> <p><b>JERSEY</b>          Jersey Electricity Company Haut De L'orme Rue De Haut De L'orme Trinity Jersey Channel Islands JE3 5FG</p>	<p><b>ISLE OF LEWIS</b>      ND Macleod 16 James Street Stornoway Isle of Lewis PA87 2QW</p> <p><b>KELSO</b>                2, 6 &amp; 8 Woodmarket Kelso Borders TD5 7AX</p> <p><b>ORKNEY</b>              7 King Street Kirkwall Orkney KW15 1JF</p>	<p style="text-align: center;"><b>NORTH EAST</b></p> <p><b>GATESHEAD</b>        Unit 356a Dukesway Court Dukesway Gateshead NE11 0BH</p> <p><b>GRIMSBY</b>            15 Hainton Avenue Grimsby N. E. Lincs DN32 9AS</p> <p><b>HULL</b>                  Unit 1 Boulevard Industrial Estate Hull HU3 4AY</p>
<p style="text-align: center;"><b>SCOTLAND</b></p> <p><b>ABERDEEN</b>        54 Claremont Street Aberdeen AB10 6RA</p> <p><b>AUCHTERMUCHTY</b> 33a Burnside Auchtermuchty Fife KY14 7AJ</p> <p><b>BLANTYRE</b>         Unit 5 Block 2 Auchenraith Ind. Estate Rosendale Way Blantyre G72 0NJ</p> <p><b>DUMFRIES</b>        93 Irish Street Dumfries DG1 2 PQ</p> <p><b>DUNOON</b>          7 Hill Street Dunoon Argyll PA23 7AL</p>	<p><b>PERTH</b>                Scottish Hydro Electric Central Warehouse Inveralmond Perth PH1 3AF</p> <p>(OWN SALES)</p> <p><b>SHETLAND</b>        3-4 Carlton Place Lerwick Shetland ZE1 0PW</p> <p>(OWN SALES)</p> <p><b>SHETLAND</b>        Bolts Shetland 26 North Road Lerwick Shetland ZE1 0PE</p> <p>(OWN SALES)</p> <p><b>WHALSAY</b>         Leask Electrical Harisdale Symbister, Whalsay Shetland ZE2 9AA</p> <p>(OWN SALES)</p>	<p><b>LEEDS</b>              64-66 Cross Gates Road Cross Gates Leeds LS15 7YS</p> <p><b>NEWTON AYCLIFFE</b> Unit 23 Northfield Way Aycliffe Industrial Park Newton Aycliffe DL5 6EJ</p> <p><b>SHEFFIELD</b>        Pennine House Roman Ridge Road Sheffield S9 1GB</p>
<p><b>EDINBURGH</b>      Unit 12 Dumbryden Ind. Estate 2 Dumbryden Road Edinburgh EH14 2AB</p> <p><b>GLASGOW</b>         Unit 4 Wellington Road Bishopriggs Glasgow G64 2SA</p> <p><b>INVERNESS</b>       Unit 3BI Smithton Ind. Estate Smithton Inverness IV2 7WL</p> <p><b>ISLE OF ARRAN</b>   R Haggerty Bruach Blackwaterfoot Isle of Arran</p> <p><b>ISLE OF BARRA</b>   J Zerfah 244 Bruernish Isle of Barra Western Islands HS9 5QY</p> <p><b>ISLES OF BUTE</b>   Walker Engineering Glenmhor Upper Serpentine Road Rothesay Isle of Bute PA20 9EH</p>	<p style="text-align: center;"><b>NORTHERN IRELAND</b></p> <p><b>BELFAST</b>           Owenmore House Kilwee Business Park Dunmurry Belfast BT17 0HD</p>	<p style="text-align: center;"><b>NORTH WEST</b></p> <p><b>BIRKENHEAD</b>      1 Kelvin Park Dock Road Birkenhead CH41 1LT</p> <p><b>CARLISLE</b>          Unit 7 James Street Workshops James Street Carlisle Cumbria CA2 5AH</p>
<p><b>ISLE OF MAN</b>     South Quay Ind. Estate Douglas Isle of Man IM1 5AT</p> <p><b>BOLTON</b>            Unit B Central Industrial Estate St Marks Street Bolton BL3 6NR</p> <p><b>PRESTON</b>          Unit 250 Dawson Place Bamber Bridge Preston Lancashire PR5 8AL</p> <p><b>STOCKPORT</b>        Unit 20 Haigh Park Haigh Avenue Stockport SK4 1QR</p>	<p style="text-align: center;"><b>WALES</b></p> <p><b>CARDIFF</b>           Unit 4 Guardian Industrial Estate Clydesmuir Road Cardiff CF2 2QS</p> <p><b>CLYWD</b>             Unit 6-7 Coed Parc Abergele Road Rhuddlan Clwyd LL18 5UG</p> <p><b>DYFED</b>              Unit 9 St. Clears Business Park Tenby Road St. Clears Carmarthen SA33 4JW</p> <p><b>OSWESTRY</b>        Plas Ffynnon Warehouse Middleton Road Oswestry SY11 2PP</p>	

# SERVICE FORCE

To contact your local Service Force Centre telephone **08705 929 929**

MIDLANDS		LONDON & EAST ANGLIA		SOUTH EAST	
BIRMINGHAM	66 Birch Road East Wyrley Trading Estate Witton Birmingham B6 7DB	BECKENHAM	11a Gardner Ind. Estate Kent House Lane Beckenham Kent BR3 1QZ	ASHFORD	Unit 2 Bridge Road Business Cent Bridge Road Ashford Kent TN23 1BB
BOURNE	Pinfold Road Bourne PE10 9HT	CHELMSFORD	Hanbury Road Widford Ind. Estate Chelmsford Essex CM12 3AE	FLEET	Unit 1 Redfields Ind. Estate Church Crookham Fleet Hampshire GU13 0RD
BRIDGNORTH	68 St. Mary's Street Bridgnorth Shropshire WV16 4DR	COLINDALE	Unit 14 Capitol Park Capitol Way Colindale London NW9 0EQ	HAYWARDS HEATH	21-25 Bridge Road Haywards Heath Sussex RH16 1UA
GLOUCESTER	101 Rycroft Street Gloucester GL1 4NB	ELTHAM	194 Court Road Mottingham Eltham London SE9 4EW	TONBRIDGE	Unit 30 Deacon Trading Estate Morley Road Tonbridge TN9 1RA
HEREFORD	Units 3 & 4 Bank Buildings Cattle market Hereford HE4 9HX	ENFIELD	284 Alma Road Enfield London EN3 7BB	<b>SOUTH WEST</b>	
HIGHAM FERRERS	30 High Street Higham Ferrers Northants NN10 8PL	GRAVESEND	Unit B4 Imperial Business Estate West Mill Gravesend Kent DA11 0DL	BARNSTAPLE	Main Road Fremington Barnstaple North Devon EX31 2NT
ILKESTON	Unit 2 Furnace Road Ilkeston DE7 5EP	IPSWICH	Unit 6C Elton Park Business Centre Hadleigh Road Ipswich IP2 0DD	BOURNEMOUTH	63-65 Curzon Road Bournemouth Dorset BH1 4PW
LEICESTER	Unit 7 Oaks Industrial Estate Coventry Road Narborough Leicestershire LE9 5GF	LETCHWORTH	16-17 Woodside Ind. Park Works Road Letchworth Herts SG6 1LA	BRIDGEWATER	6 Herswell Business Park Salmon Parade Bridgwater Somerset TA6 5PY
LINCOLN	Unit 8 Clifton Street Stone Field Park Lincoln LN5 8LQ	LONDON	2 - 4 Royal Lane Yiewsley West Drayton Middlesex UB7 8DL	BRISTOL	11 Eldon Way Eldonwall Trading Estate Bristol BS4 3QQ
NEWCASTLE UNDER LYME	18-21 Croft Road Brampton Ind. Estate Newcastle under Lyme Staffordshire ST5 0TW	MAIDENHEAD	Reform Road Maidenhead Berkshire SL6 8BY	EMSWORTH	266 Main Road Southbourne Emsworth PO10 8JL
REDDITCH	13 Thornhill Road North Moons Moat Redditch Worcestershire B98 9ND	MOLESEY	10 Island Farm Avenue West Molesey Surrey KT8 2UZ	ISLE OF WIGHT	Unit 8 Enterprise Court Ryde Business Park Ryde Isle of Wight PO33 1DB
TAMWORTH	Unit 3 Sterling Park Claymore Tamworth B77 5DQ	NEWBURY	9 Pipers Court Berkshire Drive Thatcham Berkshire RG19 4ER	NEWTON ABBOT	Unit 2 Zealley Ind. Estate Kingsteignton Newton Abbot TQ12 3TD
WORCESTER	Units 1 & 2 Northbrooks Close Gregorys Mill Ind. Estate Worcester WR3 8BP	NORWICH	2b Trafalgar Street Norwich NR1 3HN	REDRUTH	Unit 7D Pool Ind. Estate Druids Road Redruth Cornwall TR15 3RH
		SUNBURY	Unit 1a The Summit Hanworth Road Sunbury on Thames TW16 5DB		





Dir. 89/336/CEE  
73/23/CEE

© Electrolux Household Appliances Limited 2001

4329620 03 - 010910

## Free Manuals Download Website

<http://myh66.com>

<http://usermanuals.us>

<http://www.somanuals.com>

<http://www.4manuals.cc>

<http://www.manual-lib.com>

<http://www.404manual.com>

<http://www.luxmanual.com>

<http://aubethermostatmanual.com>

Golf course search by state

<http://golfingnear.com>

Email search by domain

<http://emailbydomain.com>

Auto manuals search

<http://auto.somanuals.com>

TV manuals search

<http://tv.somanuals.com>