

INSTRUCTION BOOKLET

ZANUSSI

COOKER HOOD
ZHC 935

Thank you for buying a Zanussi product.

To enable you to use your appliance effectively and safely, please read this instruction book carefully before using the appliance and retain for future reference. If you require guidance in the use of the appliance or require further information on Zanussi Products, please contact our Customer Care Department.

Customer Care Department
Zanussi
55 - 77 High Street
Slough
Berkshire
SL1 1DZ

Tel: 08705 727 727

To register ownership, please ensure you complete and return the guarantee card supplied with the appliance.

For the User

Important Safety Information

Your Appliance

Operating Instructions

Cooker Hood Controls

To Operate

Recirculation

Extraction

Maintenance and Cleaning

External Cleaning

Metal Grease Filters

Charcoal Filters

To Remove/Replace the Charcoal Filters

Changing the Light Bulb

Something Not Working

Service and Spare Parts

Guarantee Conditions

For the Installer

Technical Information

Electrical Connection

Electrical Requirements

Electrical Connection

Installing the Cooker Hood

Installation Requirements

Unpacking

Clearance Heights

Fitting the Wall Brackets

Fitting the Canopy Hood

Venting

Recirculation

Fitting the Chimney Stack

Guide to use the instruction book

The following Symbols will be found in the text to guide you through the instruction book



Safety instructions



Step by step instructions

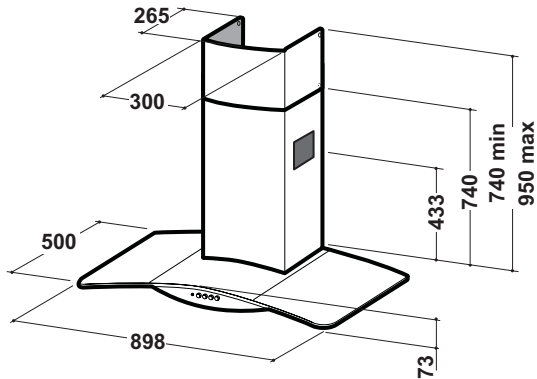
IMPORTANT SAFETY INFORMATION

These warnings are provided in the interests of safety. Ensure that you understand them all before installing or using this appliance. Your safety is of paramount importance. If you are unsure about any of the meanings of these warnings contact the Customer Care Department.

• Installation

- Any installation work must be undertaken by a qualified electrician or a competent person.
 - This hood must be installed in accordance with the installation instructions and all measurements must be adhered to.
 - If the cooker hood is installed for use above a gas appliance then the provision for ventilation must be in accordance with the Gas Safety Codes of Practice BS.6172, BS.5440 and BS.6891 (Natural Gas) and BS.5482 (LP Gas) 1994, the Gas Safety (Installation & Use) Regulations, the Building Regulations issued by the Department of the Environment, the Building Standards (Scotland) (Consolidated) Regulations issued by the Scottish Development Department.
 - The fan motor of this cooker hood incorporates a cut-out device which will operate if the cooker hood is installed below the height recommended under the section 'Clearance Height', or if the motor becomes overheated. If the cut-out device is activated, switch off the fan motor and allow the cooker hood to cool. The cut-out device will reset itself when the fan motor has cooled significantly.
 - It is dangerous to alter the specifications or modify this product in any way.
 - When installed between adjoining wall cabinets the wall cabinets must not overhang the hob.
 - If the room where the cooker hood is to be used contains a fuel burning appliance such as a central heating boiler then its flue must be of the room sealed or balanced flue type.
 - If other types of flue or appliances are fitted ensure that there is an adequate supply of air to the room.
 - The ducting system for this appliance must not be connected to any existing ventilation system which is being used for any other purpose.
 - Do not install above a cooker with a high-level grill.
- ## • Child Safety
- This appliance is designed to be operated by adults. Children should not be allowed to tamper with the appliance.
- ## • During Use
- This product is for domestic use only.
 - Never leave frying pans unattended during use as overheated fats and oils might catch fire.
 - Never do flambé cooking under this cooker hood.
 - Do not leave naked flames under the cooker hood.
- ## • Maintenance and Service
- This appliance can be a hazard if the grease filters and charcoal filters are not cleaned and replaced as recommended.
 - Under no circumstances should you attempt to repair the appliance yourself. Repairs carried out by inexperienced persons may cause injury or more serious malfunction. Refer to your local Zanussi Service Force Centre. Always insist on genuine spare parts.

YOUR APPLIANCE



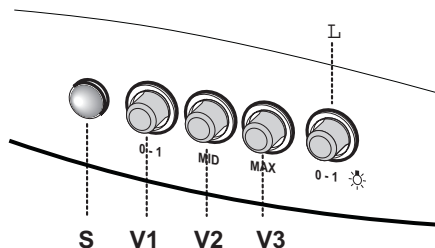
OPERATING INSTRUCTIONS

This cooker hood is designed to extract unpleasant odours from the kitchen, it will not extract steam.

Cooker Hood Controls

The cooker hood functions are controlled by five push button switches located centrally in the control fascia.

- L** Push to switch ON the worktop lighting.
- S** Red neon indicates the fan motor is switched ON.
- V1** Push to switch ON the motor at the low speed, for use with one burner or when simmering.
- V2** Push to engage the medium speed, for normal cooking up to four pans.
- V3** Push to engage the high speed, for use when frying or cooking foods with strong odours.



To Operate

Select the required fan speed and light if required.

The appliance can be installed to recirculate or extract contaminated air. The cooker hood is more effective when used in the extraction mode.

Recirculation

The cooker hood is supplied specified for use in the recirculation mode with the charcoal filter fitted.

The contaminated air is cleaned by passing through the filters and then back into the kitchen.

The activated charcoal filter absorbs odours arising from cooking. In use it will slowly become saturated in grease and less effective. The filter normally requires changing at least every three months or more frequently if the hood is used for more than three hours per day.

Extraction

The contaminated air enters the cooker hood passing through the grease filters and out through the ducting into the atmosphere.

When used in the extract mode the charcoal filter is not required and must be removed.



Never do flambé cooking under this cooker hood.

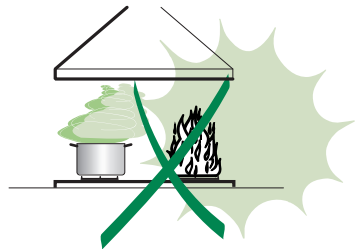
Take extra care when frying and never leave frying pans unattended during use, as overheated fats and oils can catch fire.

Do not leave naked flames under the cooker hood.

Ensure the hood is switched ON before using the hob.

Ensure heating areas on your hob are covered with pots and pans when using the hob and cooker hood simultaneously.

Ensure not to damage the charcoal filter when cleaning or replacing as the activated charcoal inside is saturated with grease, which will stain if it comes into contact with clothing or furnishings.



MAINTENANCE AND CLEANING



Before carrying out any maintenance or cleaning isolate the cooker hood from the mains supply.

The cooker hood must be kept clean, as a build up of grease or fat can be a fire hazard.

External Cleaning

The metal casing, visor and chimney should be cleaned at least once a month to keep the hood looking like new. Wipe over the hood with a soft cloth wrung out in mild soapy water and then dry thoroughly.



Always wear protective gloves when cleaning the hood.

Never use scouring pads or abrasive cleaners as they may scratch or damage the surfaces.

Never use excessive amounts of water when cleaning particularly around the control panel.

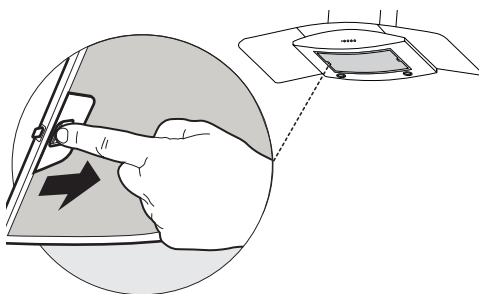
Metal Grease Filter

The metal grease filter should be cleaned at least every month. The filter may be washed by hand using mild soapy water, or can be machine washed in a dishwasher. Allow to dry completely before replacing.

To Remove the Grease Filter



Remove the metal grease filter by pushing inwardly on the two steel handles; replace, making sure the handles have sprung back into position and are completely visible.



MAINTENANCE AND CLEANING

Charcoal Filter

The charcoal filter cannot be cleaned or regenerated, it should be replaced approximately every three months or more frequently if the hood is used for more than three hours per day.

To Remove the Charcoal Filter

Remove the metal grease filter. Release the fixing hooks and remove the charcoal filter from the recess. Insert the replacement filter into the recess and replace the hooks. Replace the metal grease filter.



This appliance can be a possible fire hazard if the grease and charcoal filters are not cleaned and replaced as recommended.

Worktop Lighting

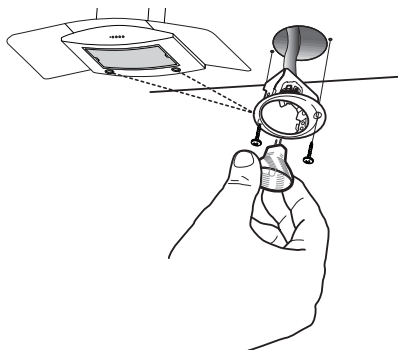
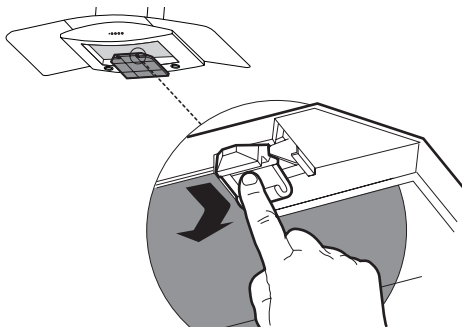
The lamps should be replaced with a 230V 20W halogen spot lamp.

To Replace the Lamps

Unscrew the two screws to release the metal surround. Remove the lamp from the holder by pulling the lamp downwards.

Replace the spot lamp with an identical replacement. When fitting the new lamp ensure the two pins are properly inserted into the slots in the lamp holder.

Charcoal filters, grease filters and lamps can be obtained from your local Service Force Centre.



SOMETHING NOT WORKING

If, having followed these instructions carefully, your cooker hood fails to work properly please carry out the following checks.

Symptom	Solution
The cooker hood will not start	<ul style="list-style-type: none">• Check the hood is connected to the electricity supply.• Make sure the switch is in the 'ON' position.• The fan speed is set high enough for the task.• The grease filter is clean.• The kitchen is adequately vented to allow the entry of fresh air.• If set up for recirculation, check that the charcoal filter is still effective.• If set up for extraction, check that the ducting outlets are not blocked.
The cooker hood has switched off during operation	<ul style="list-style-type: none">• The safety cut-out device has been tripped.• Turn off the hob and then wait for the device to reset.

If after all these checks, the fault persists, contact your local Service Force Centre, quoting the model and serial number.

Please note that it will be necessary to provide proof of purchase for any in-guarantee service calls.

In-guarantee customers should ensure that the above checks have been made as the engineer will make a charge if the fault is not a mechanical or electrical breakdown.

SERVICE AND SPARE PARTS

If you require an engineer or spare parts contact your local Service Force Centre by telephoning:

08705 929929

Your telephone call will be routed to your local Service Force Centre. For the address of your local Service Force Centre and further information about Service Force, please visit the website at www.serviceforce.co.uk

For general assistance with your appliance or for further information on Zanussi products please contact our Customer Care Department.

Customer Care Department
Zanussi
55 - 77 High Street
Slough
Berkshire
SL1 1DZ

Telephone: 08705 727 727*

* calls to this number may be recorded for training purposes.

GUARANTEE CONDITIONS

We, Zanussi, undertake that if within twenty four months of the date of the purchase this Zanussi built-in product or any part thereof is proved to be defective by reason only of faulty workmanship or materials, the company will, at our option repair or replace the same FREE OF ANY CHARGE for labour, materials or carriage on condition that:

- The appliance has been correctly installed and used only on the electrical supply stated on the rating plate.
- The appliance has been used for normal domestic purposes only, and in accordance with the manufacturer's operating and maintenance instructions.
- The appliance has not been serviced, maintained, repaired, taken apart or tampered with by any person not authorised by us.
- All service work under this guarantee must be undertaken by a Zanussi Service Force Centre.
- Any appliance or defective part replaced shall become the property of this company.

Home visits are made between **8.30am and 5.30pm Monday to Friday**. Visits may be available outside these hours in which case a premium will be charged.

EXCLUSIONS

This Guarantee does not cover:

- Damage or calls resulting from transportation, improper use or neglect, the replacement of any lamps or removable parts of glass or plastic.
- Costs incurred for calls to put right appliances improperly installed or calls to appliances outside the United Kingdom.
- Appliances found to be in use within a commercial environment, plus those which are the subject of rental agreements.
- Products of Zanussi manufacture which are not marked by Zanussi.

This guarantee is in addition to your statutory and legal rights.

ZANUSSI EUROPEAN GUARANTEE

If you should move to another country within Europe then your guarantee moves with you to your new home subject to the following qualifications:

- The guarantee starts from the date you first purchased the product.
- The guarantee is for the same period and to the same extent for labour and parts as exists in the new country of use for this brand or range of products.
- This guarantee relates to you and cannot be transferred to another user.
- Your new home is within the European Community (EC) or European Free Trade Area.
- The product is installed and used in accordance with our instructions and is only used domestically, i.e. a normal household.

Before you move please contact your nearest Customer Care Centre, listed below, to give them details of your new home. They will then ensure that the local Service Organisation is aware of your move and able to look after you and your appliances.

France	Senlis	+33 (0)3 44 62 22 22
Germany	Nurnberg	+49 (0)911 323 2600
Italy	Pordenone	+39 (0)1678 47053
Sweden	Stockholm	+46 (0)20 78 77 50
United Kingdom	Slough	+44 (0)1753 219897

INSTALLATION INSTRUCTIONS



It is dangerous to alter the specifications or attempt to modify this product in any way.

Technical information

DIMENSIONS

HEIGHT OF CANOPY:	73mm
HEIGHT OF CHIMNEY: (UPPER SECTION)	215mm
(LOWER SECTION)	740mm
WIDTH OF CANOPY:	898mm
DEPTH OF CANOPY:	500mm
WEIGHT: (GROSS)	24.00kg
WEIGHT: (NET)	19.40kg

ELECTRICAL SUPPLY

VOLTAGE:	(~50Hz)	230V
POWER CONSUMPTION:		240W
FAN MOTOR:		200W
LAMPS:	(2 x20W Halogen)	40W

SUITABLE FOR - INSTALLATION ABOVE: (MAX)

ELECTRIC HOB:	7KW
GAS HOB:	10KW (MAX)
SLOT-IN ELECTRIC COOKER:	12.4KW (MAX)
SLOT-IN GAS COOKER:	13.5KW (MAX)



Note: CE Marking certifies that this appliance complies with the requirements laid down in EEC directive 89:336 (Electromagnetic compatibility) and subsequent modifications and Low Voltage directive 72/23/E.



THIS APPLIANCE MUST BE EARTHED

Electrical Requirements

Any permanent electrical installation must comply with the latest I.E.E. Regulations and local Electricity Board regulations. For your own safety this should be undertaken by a qualified electrician e.g. your local Electricity Board, or a contractor who is on the roll of the National Inspection Council for Electrical Installation Contracting (NICEIC).

Electrical Connection

Before connecting to the mains supply ensure that the mains voltage corresponds to the voltage on the rating plate inside the cooker hood.

This appliance is fitted with a 3 core mains cable and must be permanently connected to the electricity supply via a double-pole switch having 3mm minimum contact gap on each pole. A Switched Fuse Connection Unit to BS.1363 Part 4, fitted with a 3 Amp fuse, is a recommended mains supply connection accessory to ensure compliance with the Safety Requirements applicable to fixed wiring instructions.

This appliance conforms to BS.800:1988 and EEC Directive No. 78 308 regarding suppression of radio and television interference.

INSTALLING THE COOKER HOOD

Please ensure that when the appliance is installed it is easily accessible to an engineer in the event of a breakdown.



All installations must comply with the local authorities requirements for the discharge of exhaust air.

Incorrect installation may affect the safety of this cooker hood.

Installation Requirements



Before installation check that the wall to which the cooker hood is to be fitted for electric cables, water pipes and gas.

Unpacking

Before unpacking the cooker hood position the carton with the arrows pointing upwards as illustrated on the carton.

Ref: Qty: Product Components

- | | | |
|------|------|---|
| 1 | 1 No | Canopy complete with:
Controls, Lighting, Fan Assembly,
Grease Filter, Charcoal Filter. |
| 2 | 1 No | Telescopic Chimney comprising: |
| 2.1 | 1 No | Upper Chimney Stack |
| 2.2 | 1 No | Lower Chimney Stack |
| 8a | 1 No | Right-Hand Recirculation grille |
| 8b | 1 No | Left-Hand Recirculation grille |
| 9 | 1 No | Ø150-120 Ducting Spigot |
| 14 | 1 No | Ducting Extension Pipe |
| 14.1 | 2 No | Recirculation Outlet Extensions |
| 15 | 1 No | Recirculation Outlet Adapter |

Ref: Qty: Installation Components

- | | | |
|-------|------|------------------------------------|
| 7.2.1 | 2 No | Upper Chimney Fixing Brackets |
| 12c | 6 No | Chimney Fixing Screws
2.9x6.5mm |

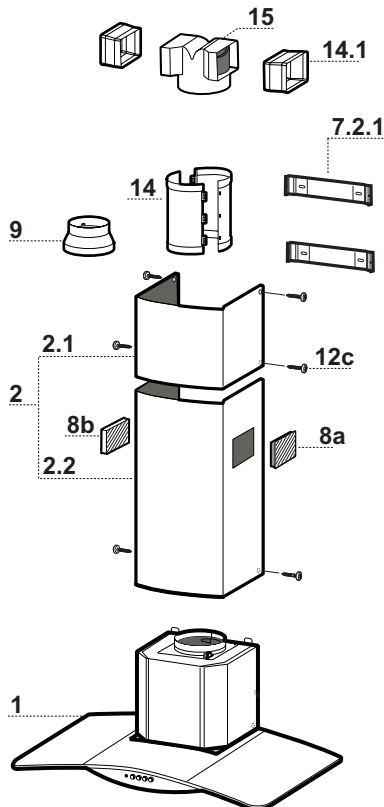
Ref: Qty: Documents

- | | |
|------|---------------------|
| 1 No | Instruction Booklet |
| 1 No | Guarantee Card |
| 1 No | Questionnaire |

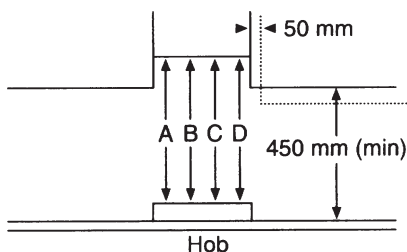
This cooker hood is designed to be fixed to any vertical surface over a cooking area, and can be used in the extraction (ducted to the outside) or recirculation mode.

The installation work must be undertaken by a qualified and competent person.

The manufacturer disclaims any responsibility for damage due to incorrect installation of the cooker hood or if the hood is not installed in compliance with relevant regulations controlling this type of installation.



INSTALLING THE COOKER HOOD



- A: Built-in Electric Hob: 650mm clearance
B: Built-in Gas Hob: 700mm clearance
C: Slot-in Electric Cooker: 685mm clearance
D: Slot-in Gas Cooker: 767mm clearance

Clearance Heights

The cooker hood is designed to be fitted over a cooking appliance at the clearance heights stated, providing the maximum output of the appliance beneath does not exceed the maximums quoted in the Technical Specifications.

If the output of the appliance below the cooker hood exceeds the maximum outputs quoted, please refer to the cooker manufacturer's installation instructions.

A clearance height of 650mm (25 1/2 ins) is required when installed above a built-in electric hob, or 700mm (27 1/2 ins) when installed above a built-in gas hob.

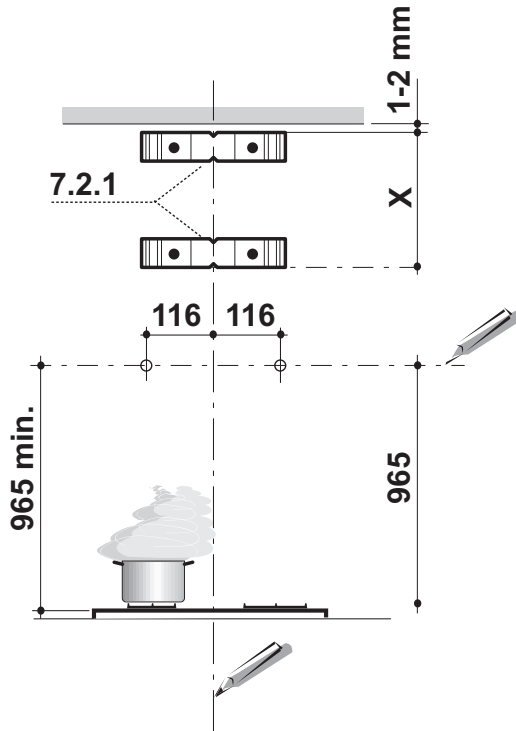
A clearance height of 685mm (27ins) is required when installing above a slot-in electric cooker, or 787mm (30 1/2 ins) when installed above a slot-in cooker.

When installed between adjoining wall cabinets, the wall cabinets must not overhang the hob and the distance between the underside of the cabinet and the worktop must be 450mm (17 3/4 ins), a gap of 50mm (2ins) must be maintained either side of the hob.



This cooker hood must not be installed above a cooking appliance with a high level grill.

INSTALLING THE COOKER HOOD



Fitting the Wall Brackets

Draw a vertical line on the wall from the centre of the cooking appliance up to the ceiling, or as high as the adjoining wall cabinets using a spirit level and marker pen. This is to ensure the correct vertical alignment of the appliance.

- Draw a horizontal line 965mm above the hob
- Mark a hole centre on the horizontal line 965mm above the worktop, 116mm either side of the vertical line as indicated.
- Drill the holes marked on the wall using a Ø8mm drill-bit.
- Fix the two brackets item **7.2.1**.
- Place bracket item **7.2.1** on the wall as shown about 1-2mm from the ceiling or upper limit aligning-notch in the centre of the bracket with the vertical line. Mark the hole centres for the bracket fixing screws on the wall.
- Place bracket item **7.2.1** on the wall as shown at 215mm below the first bracket at X.
- Mark the hole centres for the bracket fixing screws on the wall.

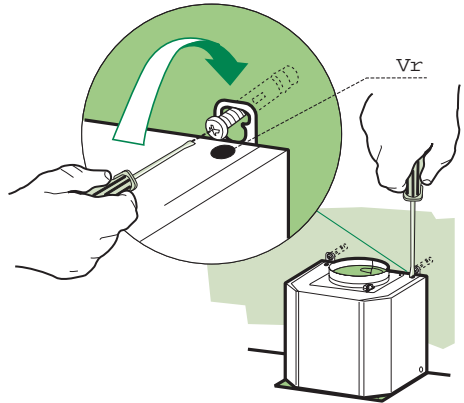
INSTALLING THE COOKER HOOD

Fitting the Canopy Hood

Before starting to fix the canopy, tighten the two screws **Vr** located on the canopy mounting brackets.

- Hook the canopy onto the screws (not supplied).
- Tighten up the screws.
- Adjust the screws item **Vr** to level the canopy.

The fixings come together with the splashback.



Ducting the Cooker Hood

When installing the cooker hood in the ducting mode, connect the hood using either Ø150 or 120mm flexible or rigid pipe.

The choice of ducting should be specified by the installer but Ø150mm rigid ducting will ensure the best performance possible.

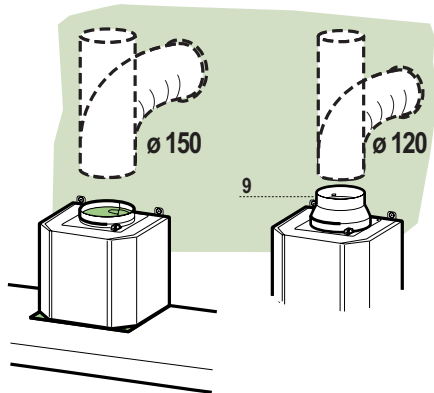


The ducting used must be manufactured from fire retardant material conforming to the relevant British Standard or DIN 4102-B1.



Fitting the Ducting

- To install Ø120mm ducting, fit the ducting spigot Ø150-120mm item **9** on to the spigot on top of the canopy.
- To install Ø150mm ducting, fit the ducting on the spigot on top of the canopy.
- Remove the activated charcoal filter.



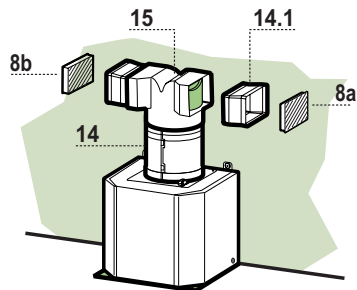
Recirculating the Cooker Hood

The cooker hood is supplied specified for use in the recirculation mode, with the charcoal filter already fitted.



Fitting the Recirculation Duct

- Assemble the two halves of the ducting extension pipe item **14**.
- Push-fit the extension pipe on to the ducting spigot on top of the canopy.
- Push-fit the recirculation adapter item **15** on to extension pipe item **14**.
- Insert the recirculation outlet extensions item **14.1** into the recirculation adapter item **15**.
- The recirculation grilles item **8a** and **8b** must be fitted after the lower chimney item **2.2** has been fitted.



Electrical Connection

Connect the hood to the mains supply via a double-pole switch having a contact gap of at least 3mm.

INSTALLING THE COOKER HOOD

Fitting the Chimney Stack

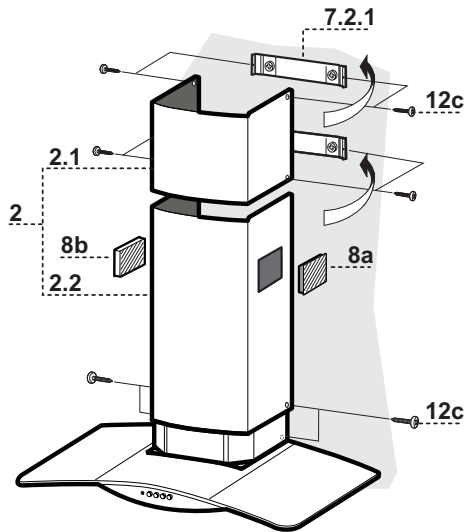
The chimney consists of two sections. The upper chimney measures 215mm and the lower chimney (with the holes for recirculation on either side) measures 740mm.

Upper Chimney Stack

- Expand the sides of the upper chimney stack item **2.1** and place the chimney over the two brackets **7.2.1** ensuring they are well seated.
- Secure the chimney stack to the brackets **7.2.1** using the four self tapping screws **12c** - 2.0x6.5mm.

Lower Chimney Stack

- Expand the of the lower chimney stack item **2.2** and place the chimney over the upper chimney stack item **2.1** and the canopy item **1**.
- Secure the chimney stack to the canopy using the two screws item **12c** - 2.9x6.5mm.
- After the chimney has been secured into position, insert the two plastic recirculation grilles item **8a** (right-hand) and **8b** (left-hand) in the apertures on each side of the chimney. The grilles are marked with two arrows and should be fitted with one arrow pointing upwards and the other toward the front.
- When the hood is used in the recirculation mode ensure that the grilles are properly secured to the recirculation extension spigot **14.1**.





Dir. 89/336/CEE
73/23/CEE

© Electrolux plc 2002

436000659 02 - 020626

Free Manuals Download Website

<http://myh66.com>

<http://usermanuals.us>

<http://www.somanuals.com>

<http://www.4manuals.cc>

<http://www.manual-lib.com>

<http://www.404manual.com>

<http://www.luxmanual.com>

<http://aubethermostatmanual.com>

Golf course search by state

<http://golfingnear.com>

Email search by domain

<http://emailbydomain.com>

Auto manuals search

<http://auto.somanuals.com>

TV manuals search

<http://tv.somanuals.com>