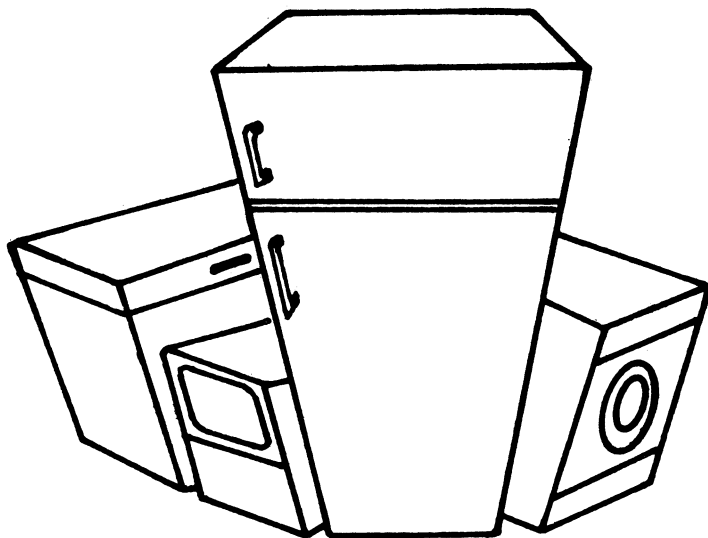


Instruction for the use and care of DL6 HC washing machine



ZANUSSI

We put more in so you get more out

Download from [Www.Somanuals.com](http://www.Somanuals.com). All Manuals Search And Download.

I N D E X

Technical data	page 3
Installation	» 4
Electrical connection	» 7
Operating instructions	» 8
Filling with washing powder	» 9
Wash programmes	» 10
Care and cleaning	» 14
Helpful tips for washing	» 15

TECHNICAL DATA

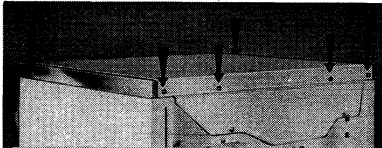
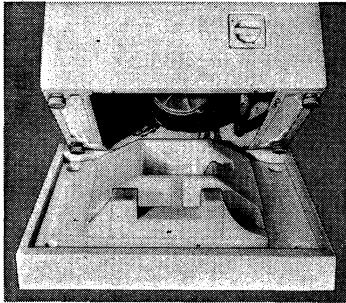
Width	23.6 ins
Overall depth (excluding hose)	22.0 ins
Height	33.5 ins
Weight	196.2 lbs
Dry clothes capacity (excluding synthetic fabrics and wool)	9 lbs
Heater rating	2400 W
Motor rating during washing	0.07 HP
Motor rating during spinning	0.16 HP
Water load: normal level	3.1 gals
Water load: high level	4.4 gals
Maximum water pressure	110 P.S.I. - 78,4 Nw/cm ²
Minimum water pressure (cold)	7 P.S.I. - 4,9 Nw/cm ²
Minimum water pressure (hot)	4 P.S.I. - 2,7 Nw/cm ²
Supply voltage	220 ÷ 240 V

INSTALLATION

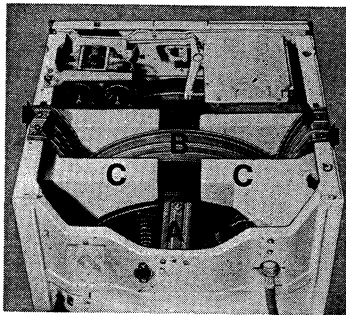
UNPACKING

Remove the cardboard packing, reinforcing angle pieces and polythene wrapping and proceed as follows:

- 1) Tilt the machine and remove base packing (fig. 1)
- 2) Remove the 6 top panel securing screws and lift panel clear (fig. 2)



- 3) Remove the bracket (A - fig. 3) which secures the tub to the back of the appliance.
- 4) Remove the 4 screws which secure the transit crosspiece to the cabinet (B - fig. 3) remove the crosspiece and lift out the two polystyrene packing blocks (C - fig. 3).
- 5) Replace the top panel and the 6 securing screws.



LEVELLING

Move the washing machine to its permanent operating position and carefully level it by adjusting the feet, locking them in position with the lock nut (A - fig. 4).

It is important that special care is taken in the levelling of the appliance in order to avoid any vibration or movement during operation.

When positioning the machine, a small space must be allowed all round, so that it cannot touch the walls or adjacent furniture while it is operating.

WATER CONNECTION

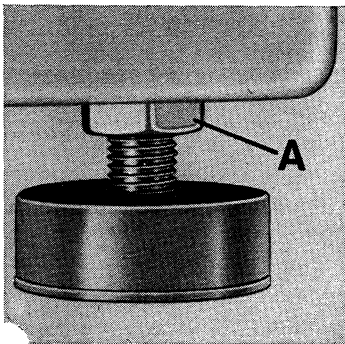
The machine may either be plumbed in or connected to existing taps. Details are given below.

Water supply

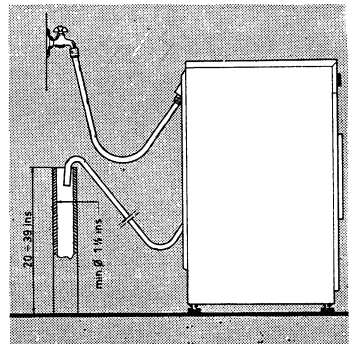
Separate supplies of hot and cold water are necessary. Single outlet gas or Electric heaters are not suitable.

Water outlet

The machine pumps out water at about 5,5 gallons per minute. Any sink, drain or waste outlet used must therefore be capable of accepting this amount. The curved end of the outlet hose should be hooked over the edge of a sink or placed in a drain pipe, the top being between 20 and 39 inches above the floor (fig. 5).



4



5

The water should be able to drain freely, and the end of the outlet hose must not be under water. If a drain pipe is used, it must have an internal diameter of at least 1,5". Be sure that the drain hose is not kinked or placed in such a way as to obstruct the flow of water.

If an extension drain hose is required, its inner diameter must be the same as the original drain hose of the washer; its length must not exceed 52 ins. and the drain must be no higher than 31 ins. above the floor.

When a plumbed installation is used the following recommendations should be followed:

It is important that an air break be inserted in the waste pipe in order to avoid water syphoning from the machine during draining. The air break should be at least 18 ins. above floor level. In the majority of installation the easiest way

of achieving this is to use a drain pipe of 1,5 inches internal diameter into the top of which the curved end of the drain hose can be placed. The pipe should be fixed in such a way that the top is 23 inches above floor level, so that when the drain hose is inserted into it, the end of the hose will be at least 18 inches above the floor.

The gap between the rubber drain hose and the internal diameter of the drain pipe provides the air break necessary to avoid syphoning. The lower end of the pipe can then be led away to a drain (see fig. 5).

Plumbed installation

It is important that work is carried out by a qualified plumber.

USE FROM EXISTING TAPS

- 1) Mixer taps are unsuitable and must not be used.
- 2) Connect the red hose to the hot tap and the grey hose to the cold tap (see note below).

Important

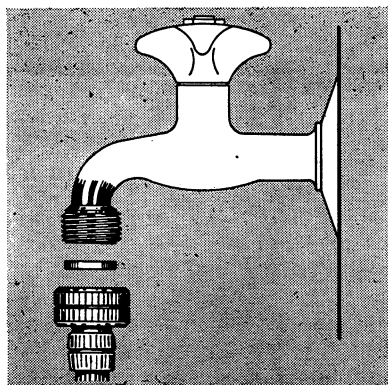
- If the rate of flow on the cold water valve is too slow, remove the flow control device of the valve;
- If the pressure on the hot tap exceeds approximately 10 lb. per square inch, it will be necessary to fit the flow control device, which is supplied with the washing machine, in the hot water valve.

Tap connections

For taps with a 3/4 inch gas thread, fit the washers to the inlet hoses and connect as shown (fig. 6).

If the water supply is from new pipes or from pipes which have not been used for a long time, it is advisable to run off a certain amount of water before connecting the machine.

This will avoid foreign matter blocking the filters.



6

ELECTRICAL CONNECTION

WARNING: This appliance must be earthed

Connection to the electrical supply should be made by a 3 pin 13 amp or 3 pin 15 amp plug. If a BS 1363 3 pin 13 amp fused plug and socket is used the plug should be fitted with a 13 amp fuse. If a 15 amp plug and socket is used, this should be protected by a 15 amp fuse, either in the plug or at the distribution board fuse box.

The manufacturer declines to accept any liability should this safety measure not be observed.

IMPORTANT

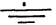
The wires in this main lead are coloured in accordance with the following code:

GREEN AND YELLOW - EARTH

BLUE - NEUTRAL

BROWN - LIVE

As the colours of the wires in the mains lead of this appliance might not correspond with the coloured markings identifying the terminals in your plug, connect as follows:

The wire which is coloured green and yellow must be connected to the terminal in the plug which is marked with the letter E or by the earth symbol  or coloured green or green and yellow. The wire which is coloured brown must be connected to the terminal which is marked with the letter L or coloured red. The wire which is coloured blue must be connected to the terminal which is marked with the letter N or coloured black.

ACCESSORIES

Instead of feet, the washing machine can be supplied, on request, with four castors to give ease of movement.

The Castors can easily be fixed to the appliance. Firstly remove the feet and then secure the Castor in position by re-placing the foot threaded shaft through the Castor locating hole.

OPERATING INSTRUCTIONS

PRELIMINARY CHECK

Carry out the following checks before using the machine:

- is the plug in the socket and is the power switched on?
- are the water inlet hoses connected to the taps and the taps turned on?
- has the drain hose been placed over the edge of a sink or in a drain?
- is the machine door properly closed?

STARTING AND STOPPING

To start the machine, select the programme required by turning the timer con-

trol knob to the required number and pull out the control knob. It should be noted that this knob freewheels in the « on » position, therefore the programme selection cannot be changed without switching the machine off.

Once the machine is started, it will automatically carry out all operations up to the end of the programme chosen and will automatically stop. To switch the machine off or stop the machine in the course of a programme, push in the timer control knob.

As a safety feature the door is automatically locked during the washing cycle and remains locked for a further 60-70 seconds after the machine finishes the programme or is switched off. This does not apply however during the water filling stage. As an additional safety feature, the door is also fitted with a double action catch. Operation of this catch is very simple provided that the outside section is first slid inwards and then, without releasing, the complete catch is pulled outwards (fig. 7).



7

SELECTION OF WASHING PROGRAMME

The washing machine carries out 10 washing programmes and 3 additional programmes. Each programme has been specially designed for a specific type of fabric (e.g. cotton, synthetic fibres, wool etc.) and incorporates the H.L.C.C. care labelling scheme.

The appropriate programme must therefore be chosen according to the type of fabric to be washed.

FILLING WITH WASHING POWDER

The washing powder dispenser is located on the front left of the control panel. It is very important to use a low sudsing powder (see paragraph «Which powder») such as Persil Automatic.

Pull out the dispenser and add washing powder. The amount of washing powder for the prewash (2-3 ozs) should be put into section « A » of the dispenser (fig. 8) and the powder for the main wash (3-4 ozs) should be put into section « B ». To select the correct washing powder dispenser compartment follow the instructions on the control panel on the front of the machine according to the programme selected.

Once the dispenser is filled, close by pushing in.

USE OF ADDITIVES

This washing machine is designed to carry out special treatments such as the addition of fabric conditioners automatically at the end of some washing programmes. The liquids to be used should be put into compartment C (fig. 8) of the dispenser at the beginning of the programme and will be automatically used by the machine at the appropriate time. Take care to use the correct amount of additive, following the manufacturer's instructions.

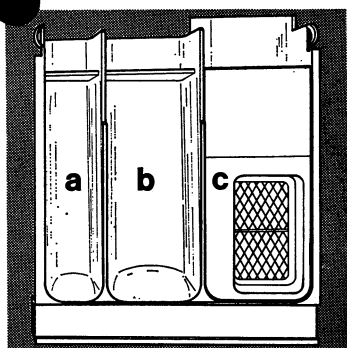
WHICH POWDER?

Do not use ordinary powders like Ariel, Radiant, Daz etc. in your new ZANUSS DL6. The reason for this is very simple, these powders produce so much lather that clothes are prevented from tumbling freely and cannot get properly clean.

Use the right powder. To get the best results from the DL6 we recommend **Persil Automatic**. Like all modern automatic machines the DL6 works at peak efficiency with a low lather product. Persil Automatic's balanced lather is specially designed to complement the cleaning action of these machines. So use it regularly for trouble free washing and superb results.

Do use enough powder. To get your clothes really clean it is essential that enough powder is used in the machine. The correct amount will depend on a number of things - the hardness of the water, the size of the load, and the amount of soiling present. As a guide we suggest you follow the table below and adjust the amounts in light of your personal experience. You may find it helps to use a measuring cup at first.

	Small Load or Light Soiling	Full Load or Heavy Soiling
Soft Water	1 cup	1 - 2 cups
Hard Water	1 - 2 cups	2 - 3 cups



WASHING PROGRAMMES

COTTON - LINEN

Whites-heavy soil - bio prewash

1

Prewash: fills to high water level and heats to approximately 60° centigrade with gentle tumbling action.

Main Wash: fills to low water level and heats to approximately 90° centigrade with a vigorous tumbling action.

5 rinses at high water level followed by a 6 minute spin.

Put the powder required for bio-prewash into compartment « A » and for the main wash into compartment « B ».

If required, pour the additive into compartment « C », taking care not to fill above the level of the filter incorporated in this compartment.

Whites

2

Prewash: fills to a high water level and heats to approximately 40° centigrade with gentle tumbling action

Main Wash: fills to low water level and heats to approximately 90° centigrade with vigorous tumbling action.

5 rinses at high water level followed by a 6 minute spin.

Put the powder required for pre-wash into compartment « A » and for the main wash into compartment « B »; if required pour the additive into compartment « C », taking care not to fill above the level of the filter incorporated in this compartment.

Whites special

3

Main wash: fills to low water level and heats to approximately 90° centigrade with gentle tumbling action.

5 rinses at high water level followed by a 6 minute spin.

Put the powder required for the wash into compartment « B ». If required, pour the additive into compartment « C », taking care not to fill above the level of the filter incorporated in this compartment.

WASHING PROGRAMMES

Fast colouredes

4

Main wash: fills to low water level and heats to approximately 60° centigrade with vigorous tumbling action.

5 rinses at high water level followed by a 6 minute spin.

Put the powder required for the wash into compartment « B ». If required, pour the additive into compartment « C », taking care not to fill above the level of the filter incorporated in this compartment.

Non fast colouredes

5

Main wash: fills to low water level and heats to approximately 40° centigrade with vigorous tumbling action.

5 rinses at high water level followed by a 6 minute spin.

Put the powder required for the wash into compartment « B ». If required, pour the additive into compartment « C », taking care not to fill above the level of the filter incorporated in this compartment.

6

Rinses

5 rinses in cold water at high water level followed by a 6 minute spin.

7

Special treatments

2 rinses with cold water at high water level followed by a 6 minute spin.

Pour the additive into compartment « C », taking care not to fill above the level of the filter incorporated in this compartment.

8

Spin

6 minute spin.

WASHING PROGRAMMES


SYNTHETICS - WOOL - DELICATES

White nylon-heavy soil

9

Prewash: fills to high water level and heats to approximately 40° centigrade with gentle tumbling action.

Main wash: fills to high water level and heats to approximately 60° centigrade with gentle tumbling action.

4 rinses at high water level followed by a 1 minute spin. 

Put the powder required for bio-prewash into compartment « A » and for the main wash into compartment « B ».

White nylon

10

Main wash: fills to high water level and heats to approximately 60° centigrade with gentle tumbling action.

4 rinses at high water level followed by a 1 minute spin.

Put the powder required for the wash into compartment « B ».

Minimum iron

11

Main wash: fills to high water level and heats to approximately 48° centigrade with gentle tumbling action.

4 rinses at high water level followed by a 1 minute spin.

Put the powder required for the wash into compartment « B ».

WASHING PROGRAMMES

Delicates



12

Main wash: fills to high water level and heats to approximately 40° centigrade with gentle tumbling action.

4 rinses at high water level followed by a 1 minute spin.

Put the powder required for the wash into compartment « B ».

Woollens



13

Special cycle for washing wool garments bearing the Woolmark Label « Pure New Wool », including blankets and wool mixtures with cotton or rayon. Silk.

Main wash: fills to high water level and heats to approximately 40° centigrade with gentle tumbling action.

4 rinses at high water level followed by a 1 minute spin.

Put the powder required for the wash into compartment « B ».

CARE AND CLEANING OF THE MACHINE

From time to time, carry out a complete cycle without a washing load, adding 1 oz of « Calgon ». This should also be done when the washer has been out of use for a long time.

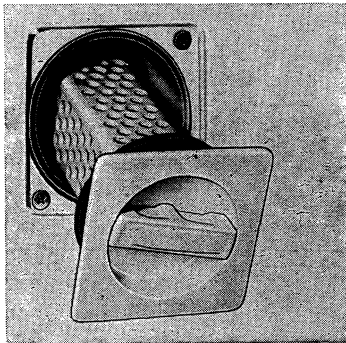
- Leave the door ajar for about 2 hours after the wash to allow air to circulate freely inside the machine.
- Plated, polished and plastic parts and the glass door should be cleaned with a soft damp cloth, never with an abrasive cleaning powder.
- For the cabinet exterior use a lukewarm solution of mild soap, then rinse and dry carefully. It is also advisable to clean the cabinet, from time to time, with a wax polish applied with a soft cloth.

FILTER CLEANING

The filter (fig. 9) is located on the front of the washer in the bottom right hand corner. Its purpose is to collect fluff and any small objects (safety-pins, coins, etc.) inadvertently left in the laundry.

The filter should be periodically cleaned as follows:

- At the end of a washing programme place the free end of the drain hose at floor level in a basin to collect any excess water.
- Before removing the filter, place a small bowl on the floor below the filter cover to collect any water that may come out.
- Unscrew the filter knob anti-clockwise and pull the filter out (fig. 9).
- Clean filter and refit, ensuring that the filter knob is screwed tight.



9

HELPFUL TIPS FOR WASHING

Here are some practical hints to enable you to obtain the best washing results:

- Use a low suds washing powder specially made for front loading washing machines. An excessive formation of suds will cause unsatisfactory operation.
- The quantity of washing powder required depends on the amount of laundry and on how soiled it is. It may therefore be necessary to vary the quantities suggested in this book according to experience. To obtain the best results when washing wool do not wash more than 2 lbs. at a time.
- In order to get good results when washing synthetic material use a maximum washing load of 5 to 6 lbs.

If your water is hard it can be softened by adding special products such as « Calgon » to the washing powder in the appropriate compartment. These products facilitate the action of the washing powder and help to give better results.

- Clothes should be sorted according to fabric type, degree of soil and colour fastness.
- Tears and open seams should be mended, loose buttons secured, zippers closed and laces or belts collected in a cotton bag. Articles without a hem should not be washed. Ensure pockets are emptied and spots of rust, paint, ink etc. removed before washing.
- Always turn off both water taps fully when the machine is not in use, even if it is plumbed in.
- If, after commencing a wash, you find that the wrong programme has been selected, push the control knob fully in turning the indicator knob clockwise to the correct programme. Then pull control knob fully out again.
- Washing powder should only be placed in the dispenser immediately prior to the start of a programme. Do not leave washing powder in the dispenser for any length of time as it may form lumps which can be difficult to dissolve.
- It is advisable to inspect the filters in the water inlet hoses periodically and clean if necessary.

Free Manuals Download Website

<http://myh66.com>

<http://usermanuals.us>

<http://www.somanuals.com>

<http://www.4manuals.cc>

<http://www.manual-lib.com>

<http://www.404manual.com>

<http://www.luxmanual.com>

<http://aubethermostatmanual.com>

Golf course search by state

<http://golfingnear.com>

Email search by domain

<http://emailbydomain.com>

Auto manuals search

<http://auto.somanuals.com>

TV manuals search

<http://tv.somanuals.com>