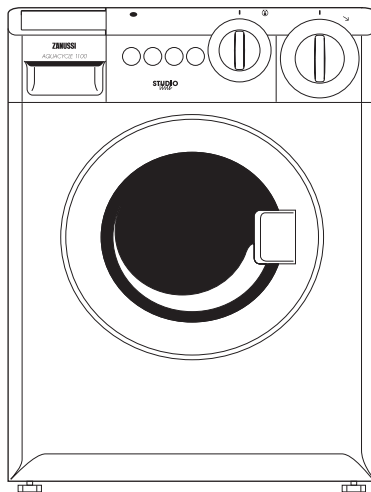


ZANUSSI

 Electrolux

WASHING MACHINE FC 1200W



Contents

For the user

Important safety information	3
Description of the appliance	4-5
- Machine front	
- Machine rear	
- The control panel	
Using your appliance	6
- Loading the machine	
- Adding detergent and fabric conditioner	
- Starting the machine	
Hints & Tips	7
Programme chart	8-9
Wash symbols	10
Which detergent?	11
And in which form?	11
Maintenance and cleaning	12
- The cabinet	
- The detergent dispenser	
- Inside the opening for the detergent dispenser	
- Cleaning inside the machine	
- Descaling	
- Protecting the machine against freezing	
Something Not Working	13
Service	14
- Service and spare parts	
- Customer care	
Guarantee Conditions	15

For the installer

Technical specifications	16
Unpacking the machine	17
- If the machine is damaged	
- When lifting the machine	
- Transit locking devices	
- Identification of materials	
Installation	18-19
- Levelling the machine	
- Water inlet	
- Water drainage	
- Power supply	

Guide to use the instruction book

The following symbols will be found in the text to guide you throughout the instructions:



Safety instructions



Step by step instructions



Hints and tips



Environmental information



Important safety information

Before installing and first using the washing machine, read the instruction booklet carefully, including its hints and warnings. Doing so will ensure that your machine will perform properly and to best advantage. Anyone using the machine should be thoroughly familiar with its instructions for use and safety features. Save these instructions and make sure they remain with the machine if it is moved or sold, so that everyone using it through its life can be properly informed on appliance use and safety.

Installation

- All packaging and transit locking devices must be removed before the machine is first used. If they are not, the result may be damage to the machine or other property. See the section *Transit locking devices*.
- All installation work and other work done on the product must be carried out by a qualified technician. Work performed by persons with inadequate knowledge may adversely affect the satisfactory functioning of the product and may cause personal injury or damage.
- The machine is heavy, so take care when lifting it. **Never** lift the machine by gripping its control panel, door, or detergent dispenser.
- Make sure that the power cord is not nipped or otherwise damaged and that its hoses do not get crushed or kinked when moving the machine in connection with installation or cleaning etc.
- If the power cable is damaged, it must be replaced by a special cable or assembly available from the manufacturer or its service agent.

Child Safety

- The washing machine should be used by adults only. Do not allow children to play with it or touch its controls and moving/movable parts.
- When the machine is operating, the door glass will get hot, so it should not be touched. Keep children away from the machine when it is operating.
- Before loading the machine, check that there are no foreign objects or pets inside the drum.

During Use

- This machine is intended only for normal domestic washing and only in accordance with these instructions. Using it for other purposes could lead to physical injury or damage to property.
- Only machine-washable items should be washed in the machine. If in doubt, contact the manufacturer or retailer of the item.
- Follow the recommendations of the care label, and make sure that pockets are empty and zips and buttons are done up before washing.
- Objects such as coins, safety pins, nails, screws and other hard objects can cause serious damage to the machine. Make sure that all pockets have been emptied before putting garments into the machine.

- Remove stains such as rust, dye, ink and grass before machine-washing.
- Avoid washing clothes which are frayed or excessively worn.
- Items which have been treated with chemicals such as stain removal products, liquid domestic cleaning products and similar must be rinsed thoroughly by hand before they can be washed in the machine.
- Wash small items such as thin socks, garment ties/laces, lace items etc. in a special laundry net to prevent them from getting between the inner and outer drums.
- Always follow the recommendations of the manufacturers of detergent and fabric conditioner concerning the quantities of these products to use. Using too much can damage your laundry items.
- Do not overload the drum. Overloading impairs the machine's performance and can damage laundry items.
- Before opening the door always check that the water has been pumped out of the machine.
- Do not leave the premises while the machine is operating.
- After using the machine, turn off its water supply and disconnect it from the power supply. When removing the electrical plug, grip the plug, not the lead.
- Leave the door ajar when the machine is not in use, to prevent any stale odour.
- Make sure that the machine is disconnected from the power supply during cleaning and maintenance work.
- Servicing and repairs must be carried out by a service company authorised by the supplier. Use only spare parts supplied by these. Never try to repair the machine yourself.

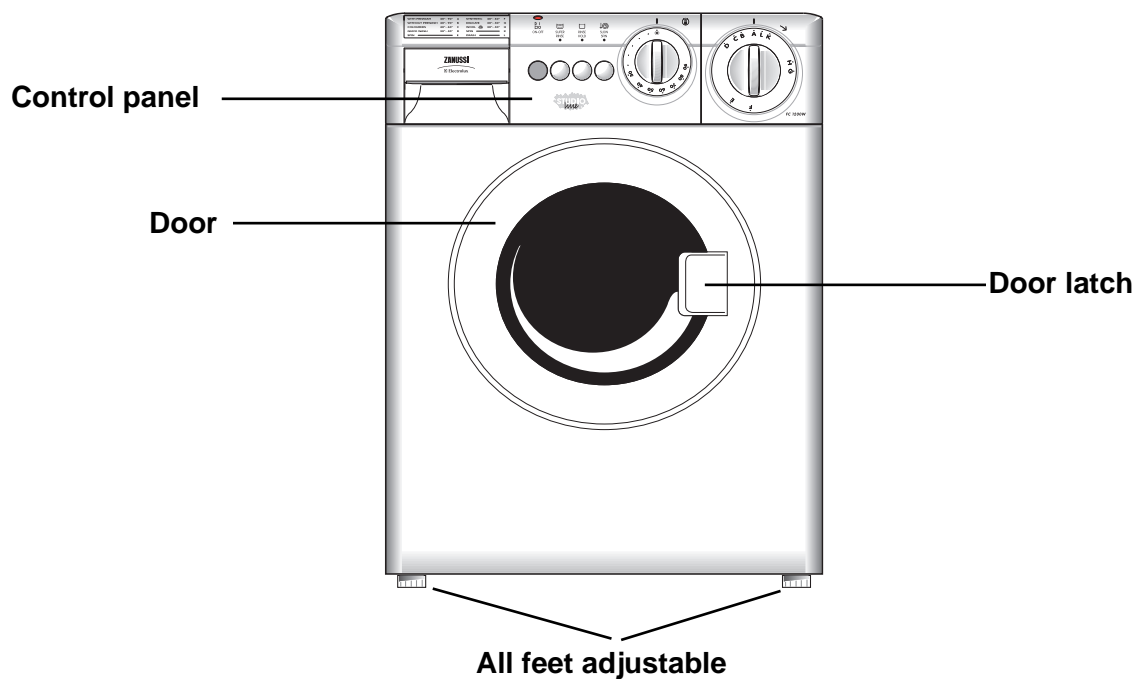
Conservation

In the interest of the environment:

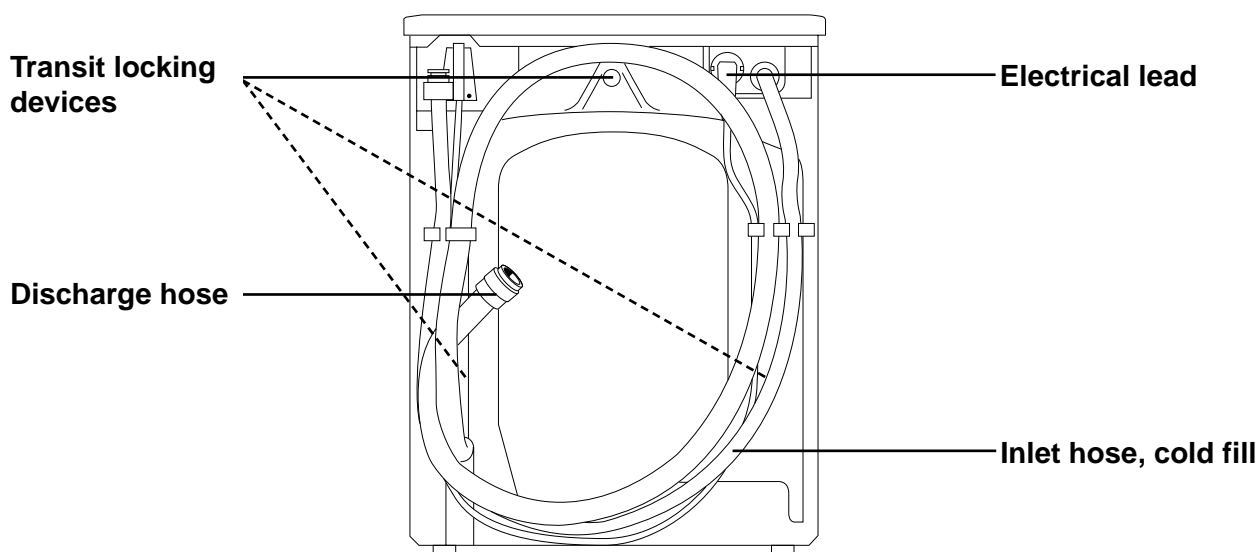
- At the end of the machine's useful life, disconnect the electrical plug from the power supply, then cut the electrical lead at the point where it enters the machine. Make quite sure that children will not be able to play with the severed lead and plug.

Description of the appliance

Machine front

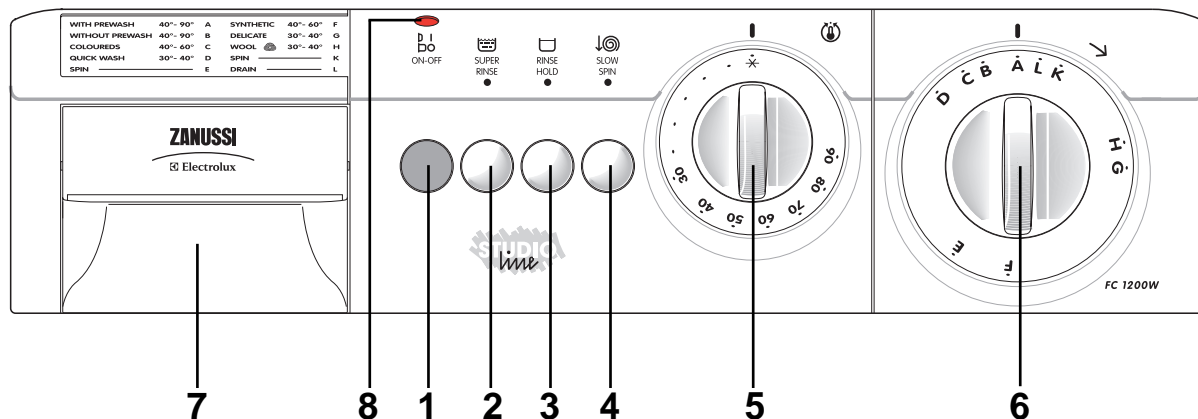


Machine rear



Description of the appliance

The control panel



Push-button switches

- 1 ON/OFF** – After selecting the wash programme and temperature, push this button in to start the machine. (See 8, Indicator light).
- 2 SUPER RINSE** – An optional function which increases the volume of water for rinsing in Cotton programmes, and adds one extra rinse.
- 3 RINSE HOLD** – An optional function. When this button is pressed in, the programme will stop at the end of the last rinse, and the rinse water will be retained in the machine. This function is available for the Synthetics, Delicate, and Wool programmes, to minimise creasing in synthetic fibres. Once the programme has stopped on rinse-hold, if you wish to end the wash with both emptying of water and spinning of the load, press the option button again so it pops out. If you wish to end the wash by emptying the water without spinning, you have to advance the programme control knob manually, to programme setting L. Before you advance the programme control knob manually, we recommend that you first press the On/Off button to switch the machine off (button pops out). Once the programme control knob is set at L, press the On/Off button again (button remains in) to complete the programme.
- 4 SLOW SPIN** – An optional function which reduces the maximum spin speed:
Cotton programme: 1100 → 600 rpm.
Synthetics/Delicate programmes: 600 → 400 rpm.

Knob controls and detergent dispenser

- 5 Temperature control** – For setting temperatures between ✱ and 90°. Follow care label recommendations.
- 6 Programme control** – For setting programme type. *See Programme Chart.*
- 7 Detergent dispenser** – With separate compartments for detergent and fabric conditioner. Pre-wash detergent is to be added straight into the drum, using a dosing device.
- 8 Indicator light** – Comes on approx. 5 seconds after the ON/OFF button is pressed, when the door is locked electrically and the machine starts. The light goes out approx. 2–3 minutes after the end of the programme and the door is unlocked.

Using your appliance

The very first time that the machine is used you should run a wash programme with no load in the drum, to clear any residues which may have been left by the manufacturing process. Pour approx. 100 ml of detergent straight into the drum and run programme G, 40° C.

When the programme has ended the machine will be ready for use.

Loading the machine

Pull the door latch gently to open the door. Put the items to be washed inside the drum. Large and small items can be mixed. Try always to wash full loads: for maximum load weights see the programme charts. You should only reduce the load weight for heavily-soiled items and sensitive fabrics. One way of achieving the maximum load size is to fill the drum with dry items, but without forcing them in. Another way is to weigh the first loads you wash, so you learn to estimate the right load size. Close the machine door.

Adding detergent and fabric conditioner




The amount of detergent you use has an impact on the performance of any washing machine. Both too much and too little can cause problems. Use only detergent for automatic washing machines, and follow the manufacturer's instructions when measuring the quantity.

Increase the quantity of detergent if the load is heavily soiled or if you have a hard water supply. Decrease the amount for lightly soiled items or less than a full load. Excessive foaming may indicate you have used too much detergent.

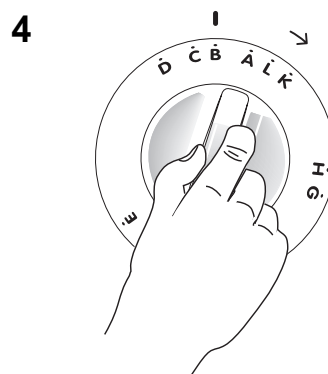
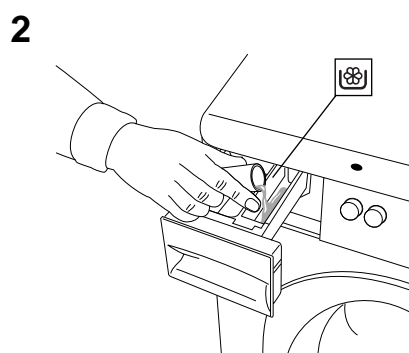
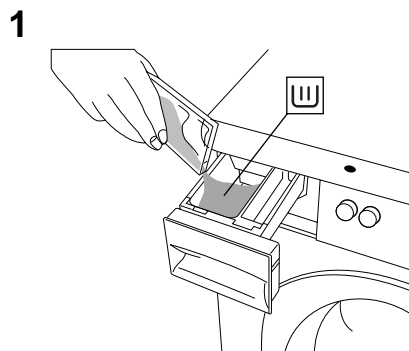
The detergent dispenser is used for fabric conditioner and detergent for the main wash. Put the detergent in the larger compartment on the left (Fig 1) and the fabric conditioner in the smaller one on the right (Fig. 2). Never fill the compartment for fabric conditioner higher than the maximum level marked on it. If using pre-wash, add the detergent for this straight into the drum.

Starting the machine

Before starting the programme, check:

-  that the door is closed
-  that the machine is plugged in and switched on at the wall socket
-  that the machine's water supply is turned on

Set the temperature (Fig. 3), select the programme (Fig. 4) and press any option buttons you require. Then press the ON/OFF button to start the wash. The indicator light will come on and after 5 seconds the door locks shut electrically and the machine starts working.



Hints & Tips

For Best Washing Results

- Load the laundry loosely alternating large items with small ones.
- Sort the laundry according to the type of fabric, colour fastness and degree of soilage.
- White items should not be washed with coloured items.
- Wash new coloured items separately when washing for the first time.
- Treat stains such as paint, ink, rust and grass before washing.
- Avoid washing frayed or torn articles.
- When washing fabrics requiring different wash temperatures, always select the lowest temperature.
- Weigh the laundry the first few times you use the appliance.

The average weights of the most common items are listed below as a guide:

1000g = 1kg

Sheet	700-1000 g
Pillow case	100-200 g
Tablecloth	400-500g
Serviette	50-100 g
Tea towel	70-120 g
Linen hand towel	100-150 g
Towelling hand towel	150-250 g
Towelling bath towel	700-1000 g
Bath robe	1000-1500 g
Man's shirt	200-300 g
Apron	150-200 g

Always:

- Empty pockets.
- Ensure buttons and zips are fastened.
- Consult the care label on the garment. Only wash fabrics which are designed to be machine washed.
- Place small items such as socks, laces, handkerchiefs etc in a washing bag or pillow case, as it is possible for such items to slip down between the tub and the inner drum.

Items that should not be put in the machine:

- Underwired bras.
- Garments which have been in contact with volatile or petroleum based products.
- Some duvets and eiderdowns should be washed in large commercial machines. Check with the manufacturer of the item.

Help the Environment:

To save water, energy and help protect the environment.

- Do not use a pre-wash for normally soiled washing.
- Wash full loads.
- Pre-treat stains and then wash at a lower temperature.
- Only use the advised quantities of detergent and fabric softener.


Programme chart

Cotton (dry load weight: 3.0 kg)

Load type	Degree of soiling	Progr. selection	Temp. setting	Progr. time (min.) *	Programme content
White articles	Heavily soiled	A	90	~147	90° programme with pre-wash. 3 rinses and spin at 1 100 rpm.
White articles	Normally soiled	B	90	~135	90° programme without pre-wash. 3 rinses and spin at 1 100 rpm.
Fast Coloureds	Normally soiled	C	60	~110	60° programme without pre-wash. 3 rinses and spin at 1 100 rpm.
Non-fast Coloureds	Normally soiled	C	40	~110	40° programme without pre-wash. 3 rinses and spin at 1 100 rpm.
Quick wash	Lightly soiled	D	40	~91	Quick wash programme 30°-40° without pre-wash. 3 rinses and spin at 1 100 rpm.
Spin		E		~8	Draining and spin at 1 100 rpm.
Drain		L		~2	Draining

* The programme times are intended as a guide only. The actual time will vary depending on incoming water pressure and temperature.

**Synthetics and Delicate (dry load weight: 1.5 kg)
Wool (dry load weight: 1.0 kg)**

Load type	Degree of soiling	Progr. selection	Temp. setting	Progr. time (min.) *	Programme content
Synthetics	Normally soiled	F	60	~74	60° programme without pre-wash. 3 rinses and spin at 600 rpm.
Synthetics	Lightly soiled	F	40	~74	40° programme without pre-wash. 3 rinses and spin at 600 rpm.
Delicate fabrics	Normally soiled	G	40	~56	30°-40° programme without pre-wash. 3 rinses and spin at 600 rpm.
Woollens 	Lightly soiled	H	30	~50	✘ -40° programme without pre-wash. 3 rinses and spin at 600 rpm.
Spin		K		~8	Emptying and spin at 600 rpm.
Drain		L		~2	Draining

RINSE HOLD

- Rinse-hold is an optional function available for the Synthetics, Delicate, and Wool programmes. To select rinse-hold, press the option button on the machine control panel. Rinse-hold means that the programme halts and the water from the last rinse is retained in the machine to minimise creasing in synthetic fibres.

















Once the programme has stopped on rinse-hold, if you wish to end the wash with both emptying of water and spinning of the load, press the option button again so it pops out.

If you wish to end the wash by emptying the water without spinning, you have to advance the programme control knob manually, to programme setting L. Before you advance the programme control knob manually, we recommend that you first press the On/Off button to switch the machine off (button pops out). Once the programme control knob is set at L, press the On/Off button again (button remains in) to complete the programme.

* The programme times are intended as a guide only. The actual time will vary depending on incoming water pressure and temperature.

Wash symbols

Wash care labels inside garments recommend how to launder your clothes with the best results. The care labelling code is in line with care labelling used in the rest of Europe. The symbols used make it easy to select the correct programme on your washing machine.

WASHING SYMBOL	WASH ACTION	FABRIC
	Normal (Maximum)	White Cotton or Linen without Special Finishes
	Normal (Maximum)	Cotton, Linen or Viscose without Special Finishes Colourfast at 60°C
	Reduced (Medium)	Nylon, Polyester/Cotton Viscose with Special Finishes Cotton/Acrylic Mix
	Normal (Maximum)	Cotton, Linen or Viscose Colourfast at 40°C but not 60°C.
	Reduced (Medium)	Acrylics, Acetate, Triacetate, Wool mixes, Polyester/wool
	Much Reduced (Minimum)	Wool, Wool mixtures, Silks
	Hand wash only	Do not machine wash
BLEACHING		
	Chlorine bleach may be used	
IRONING		
	Hot Iron	Cotton, Linen, Viscose
	Warm Iron	Polyester mixtures, Wool
	Cool Iron	Acrylic, Nylon, Polyester
DRY CLEANING		
	May be dry cleaned. Other letters and/or a bar beneath the circle will indicate the required process to the dry cleaner.	
TUMBLE DRYING		
	May be tumble dried	
	With high heat setting	
	With low heat setting	
	A cross through any symbol means 'DO NOT'	

Which detergent?

To ensure you obtain the best wash results from your appliance, it is important to use the right detergent in your everyday wash, and only detergents recommended for use in automatic machines.

To maintain the appearance of your clothes and household textiles and to make them last longer you should use different types of detergent for different washes, whether for whites, colours or delicates.

Whites

We recommend the Ariel product range which is biological and designed to provide excellent cleaning and stain removal even at low temperatures.



Non Biological

If you prefer to use a non biological detergent, which does not contain enzymes we recommend Fairy. Fairy provides good cleaning and stain removal.



Coloureds

For coloured items you should use a detergent which is designed to clean while maintaining the original colour. Ariel Color does not contain bleach and therefore helps to preserve colours.



Delicate Items

When washing delicates such as woollens, you should use a product which is specially designed to care to care for fine fabrics. Drefs Automatic is suitable for woollens and other delicates.



Laundry Bleach

For additional stain removal you may wish to use a product such as Ace Gentle Bleach which is used in addition to your chosen detergent. Ace is suitable for all washable fabrics including silks, woollens and coloureds.




And in which form?

Not only are there different types of detergent, but they are also available in different forms. Whether you choose a powder or liquid in traditional or compact form is down to personal choice.

Traditional Powders

Pour the powder directly into the dispenser drawer. Do not sprinkle powder onto clothes in the machine drum.

Traditional Liquids

Liquid can be placed in the main wash compartment of the detergent drawer marked with the symbol , start the machine immediately upon placing the detergent in the dispenser drawer. Alternatively the detergent is measured into the specially designed dosing device* which should be placed on top of the laundry and at the back of the machine drum.


Compact Powders and Liquids

Compact detergents (or concentrates as they are also known) are available in liquid or powder form, and generally require a smaller dosage. Follow the manufacturer's instructions to ensure the most economical usage. Pour the detergent directly into the dispenser drawer, or alternatively measure the detergent into the specially designed dosing device* which should be placed on top of the laundry and at the back of the machine drum.

*** If you use a dosing device in a washer dryer, please ensure the dosing device/ball is removed before carrying out a drying programme.**

Fabric Conditioners

These are ideal for improving 'softness' and also reduce static cling on synthetics and make ironing easier. They are available in two types:

For example Lenor liquid fabric softener, for use in the **washing machine/washer dryer**. The liquid fabric softener should be poured into the compartment marked with the symbol .

Follow the manufacturer's dosage instructions and never exceed the MAX level.



Bounce conditioning sheets for use in a tumble dryer. We recommend the conditioning sheets are pinned (using a safety pin to an article of laundry and placed in the tumble dryer).



Maintenance and cleaning

The cabinet

Clean the outside surfaces of the machine using a mild (non-abrasive) household cleaning product. Finish by removing remaining traces of the product with a damp cloth.

The detergent dispenser

In time, residues of detergent and fabric conditioner are likely to build up inside the detergent dispenser. It should be cleaned at regular intervals by flushing it out with water. If necessary, the whole dispenser can be taken out of the machine for cleaning. You need to pull it firmly outwards, so that it comes free of a retaining stop (Fig. 1).

To remove the siphon (at the inside edge of the dispenser) for cleaning, you need to press it inwards and pull it upwards at the same time (Fig. 2). When you put it back, press it downwards until you hear a distinct click.

Inside the opening for the detergent dispenser

Detergent residues can also build up inside the opening for the detergent dispenser. You can use an old toothbrush for cleaning this area (Fig. 3). When you have finished and put back the dispenser, run a short programme with no wash load in the machine to rinse it clean.

Cleaning inside the machine

If you mostly use your machine for low-temperature washes and/or if you use only very little detergent, you should clean the inside of the machine about once a month. This will prevent mould or stale odours from developing.

Use a normal measure of detergent, must be a powder (such as Ariel Futur) and run a wash programme at the highest temperature with no wash load in the machine.

Descaling

If your water supply is harder than 7° dH, you should descale your washing machine at least once every three months. Use approx. 150 ml of citric acid instead of detergent and run a wash programme at the highest temperature with no wash load in the machine. Limescale deposits on components such as the machine's heating element will reduce their service life. (Contact your water company to find out the hardness level of your local water supply).

Protecting the machine against freezing

If the machine is kept in a place where the temperature may sometimes fall below 0° C, there is a risk that the small amount of water which remains inside parts of the machine after normal use will freeze and damage it.

To prevent this you should:

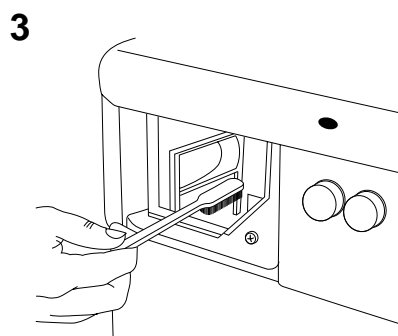
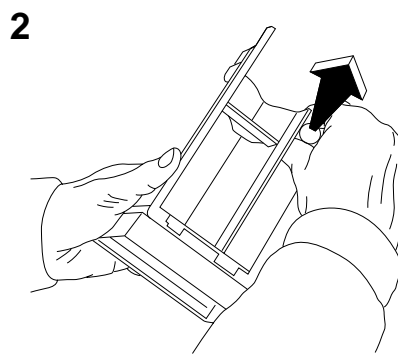
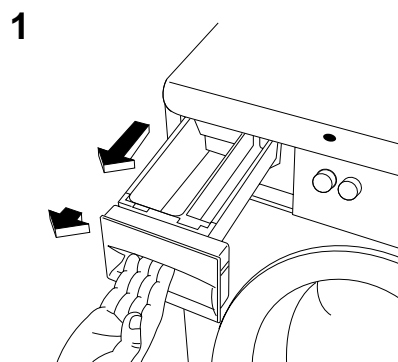
- ☞ Turn off the water supply to the machine and disconnect the water intake hose from the supply pipe.
- ☞ Select a wash programme, start the machine and let the programme run for a short time.
- ☞ Lower the tap end of the intake hose to floor level.

Use a container such as a bowl to catch water running out of it.

- ☞ Turn the programme control knob to a Drain programme, restart the machine and let that programme run for a short time.
- ☞ Release the discharge hose from the plastic clip on the machine rear. Place the end of the hose in a bowl or bucket.

When you begin using the machine again, you will need to reconnect the water intake and discharge hoses.

⚠ Do not use cleaning products which contain alcohol (spirits), thinners and similar substances.



Something Not Working

Certain problems are due to lack of simple maintenance or oversights, which can be solved easily without calling out an engineer. Before contacting your local Service Force Centre, please carry out the checks listed below.

Symptom	Check
The machine will not start.	<ul style="list-style-type: none"> ■ Have you pressed the ON/OFF button? ■ Has the machine no power supply? ■ Check circuit-breakers/fuses (start with fuse in electrical plug). ■ Is the door closed properly? ■ Have you set the programme control knob properly? ■ Is the machine's water tap turned on?
The machine is not filling with water.	<ul style="list-style-type: none"> ■ Is the machine's water tap turned on? ■ Has your domestic water supply been cut off temporarily? ■ Is the water intake hose kinked or blocked? ■ Is the filter inside the intake hose blocked? ■ Is the water pressure too low?
The machine is discharging water at the same time as filling.	<ul style="list-style-type: none"> ■ Is the end of the discharge hose too low down? <i>(See Installation)</i> ■ (If discharge hose empties into wall standpipe:) is there still a proper air gap between the end of the discharge hose and the wall standpipe? <i>(See Installation.)</i> If the machine needs to be emptied manually: release the discharge hose from the plastic clip on the machine rear. Lower the end of the hose to floor level, letting it empty into a suitable container.
The machine will not empty or spin.	<ul style="list-style-type: none"> ■ Is the programme one which pauses with rinse-hold? (Must be advanced manually to empty or spin.) ■ Is the discharge hose kinked or blocked? ■ Has the hose been lengthened according to the instructions? <i>(See Installation.)</i>
The machine is leaking or overflowing.	<ul style="list-style-type: none"> ■ Have you used too much detergent? ■ Have you been using the detergent for automatic machines? ■ Are the hoses correctly installed? <i>(See Installation.)</i> ■ Is the detergent compartment blocked?
The machine is vibrating or noisy.	<ul style="list-style-type: none"> ■ Have you removed all the transit locking devices? ■ Has the machine been installed on a suitable surface and levelled? ■ Is the machine knocking against a wall? ■ Is the machine standing firmly on all four feet?
The machine door will not open.	<ul style="list-style-type: none"> ■ Did you wait 2-3 minutes after the end of the programme and has the indicator light gone out? Read the section <i>Loading the machine on door opening.</i> Never try to force the door open. Contact service.



Never attempt to repair the washing machine yourself. Repairs carried out by unauthorised or inexperienced persons can cause injury or serious malfunctioning.

Service and Spare Parts

In the event of your appliance requiring service, or if you wish to purchase spare parts, please contact your local Service Force Centre by telephoning:

08705 929929

Your telephone call will be automatically routed to the Service Force Centre covering your post code area.

For the address of your local Service Force Centre and further information about Service Force, please visit the website at www.serviceforce.co.uk

For Customer Service in Ireland please contact us at the address below:

Zanussi Electrolux
Electrolux Group (Irl) Ltd
Long Mile Road
Dublin 12
Republic of Ireland
Tel: + 353 (0)1 4090751
Email: service.eid@electrolux.ie

Before calling out an engineer, please ensure you have read the details under the heading "Something Not Working".

When you contact the Service Force Centre you will need to give the following details:

1. Your name, address and post code
2. Your telephone number
3. Clear and concise details of the fault
4. The model and serial number of the appliance (found on the rating plate)
5. The purchase date

Please note that a valid purchase receipt or guarantee documentation is required for in-guarantee service calls.

Customer Care Department

For general enquiries concerning your Zanussi Electrolux appliance or for further information on Zanussi Electrolux products, please contact our Customer Care Department by letter or telephone at the address below or visit our website at www.zanussi.co.uk

Customer Care Department
Zanussi Electrolux
55-77 High Street
Slough
Berkshire
SL1 1DZ
Tel: 08705 727727 *

* call to this number may be recorded for training purposes.

Guarantee Conditions

Standard guarantee conditions

We, Zanussi Electrolux, undertake that if within 12 months of the date of the purchase this ZANUSSI ELECTROLUX appliance or any part thereof is proved to be defective by reason only of faulty workmanship or materials, we will, at our option repair or replace the same FREE OF CHARGE for labour, materials or carriage on condition that:

- The appliance has been correctly installed and used only on the electricity supply stated on the rating plate
- The appliance has been used for normal domestic purposes only and in accordance with the manufacturer's instructions
- The appliance has not been serviced, maintained repaired, taken apart or tampered with by any person not authorised by us
- All service work under this guarantee must be undertaken by a Zanussi Electrolux Service Force Centre
- Any appliance or defective part replaced shall become the Company's property
- This guarantee is in addition to your statutory and other legal rights

Home visits are made between **8.30am** and **5.30pm** Monday to Friday. Visits may be available outside these hours in which case a premium will be charged.

Exclusions

This guarantee does not cover:

- Damage or calls resulting from transportation, improper use or neglect, the replacement of any light bulbs or removable parts of glass or plastic
- Costs incurred for calls to put right an appliance which is improperly installed or calls to appliances outside the United Kingdom
- Appliances found to be in use within a commercial environment, plus those which are the subject to rental agreements
- Products of Zanussi Electrolux manufacture which are not marketed by Zanussi Electrolux

European Guarantee


If you should move to another country within Europe then your guarantee moves with you to your new home subject to the following qualifications:


- The guarantee starts from the date you first purchased your product
- The guarantee is for the same period and to the same extent for labour and parts as exists in the new country of use for this brand or range of products
- This guarantee relates to you and cannot be transferred to another user
- Your new home is within the European Community (EC) or European Free Trade Area
- The product is installed and used in accordance with our instructions and is only used domestically, i.e. a normal household
- The product is installed taking into account regulations in your new country

Before you move please contact your nearest Customer Care centre, listed below, to give them details of your new home. They will then ensure that the local Service Organisation is aware of your move and able to look after you and your appliances.

France	Senlis	+33 (0)3 44 62 29 99
Germany	Nurnberg	+49 (0)800 234 7378
Italy	Pordenone	+39 (0)0434 39 4700
Sweden	Stockholm	+46 (0)8 672 53 90
UK	Slough	+44 (0)1753 219897
Ireland	Dublin	+353 (0)1 4090751


Installation instructions

 Any electrical work required to install this appliance should be carried out by a qualified electrician or competent person.

 Any plumbing work required to install this appliance should be carried out by a qualified plumber or competent person.

Technical specifications

DIMENSIONS	Height	67 cm
	Width	49.5 cm
	Depth	51.5 cm
WEIGHT	(net)	54 kg
RECOMMENDED CAPACITY (DRY WEIGHT)	Cotton	3.0 kg
	Synthetics/Delicate	1.5 kg
	Wool	1.0 kg
WATER PRESSURES	Minimum	50 kPa (0.5 bar)
	Maximum	1000 kPa (10 bar)
DRUM VOLUME		27 litres
SPIN SPEED	Maximum	1 100 rpm
ELECTRICAL DATA	Power supply	230 V - 50 Hz
	Fuse	13 A
	Power rating	1900 W

 This appliance complies with the requirements of the following EU directives:
– 73/23/EEC, dated 19.02.1973 – low-voltage directive.
– 89/336/EEC, dated 03.05.1989 (incl. amendment 92/31/EEC) – directive on electromagnetic compatibility.

Unpacking the machine

If the machine is damaged

If the machine has been damaged during transportation, you should immediately notify the company responsible for delivering it.

Check that the washing machine is undamaged. If you discover any damage, faults or that anything is missing, you should notify the seller immediately. Never leave packaging material in a place where children may play with it.

When lifting the machine

Take care when lifting the machine. Incorrect methods of lifting can cause physical injuries, and also increase the risk of damage to the machine. Open the door and take hold of it inside the top of the door opening. You can also grasp the rear overhang of the machine top to lift this machine. Never lift the machine by gripping its control panel, the door itself, or its detergent dispenser (Fig. 1).

Transit locking devices

When supplied the washing machine is packed using a number of locking devices/packing pieces to prevent drum and motor from damage in transit. These must all be removed before the washing machine is installed.

Spread some of the polystyrene packaging materials on the floor behind the machine and then lay the machine carefully rear-side-down on them. Make sure that no hoses are crushed in the process (Fig. 2).

Remove the polystyrene base the machine was transported on. Then return the machine to its normal upright position and undo the three screws on its rear (Fig. 3).

The three holes must then be plugged with the plastic plugs supplied with the machine in the plastic bag inside the drum (Fig. 4).

Identification of materials



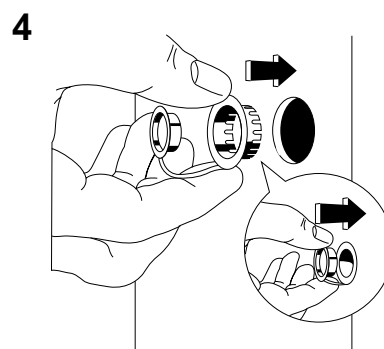
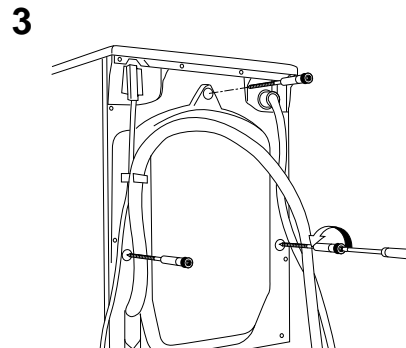
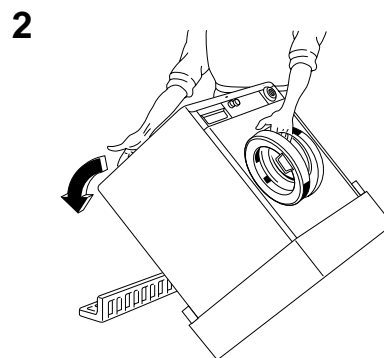
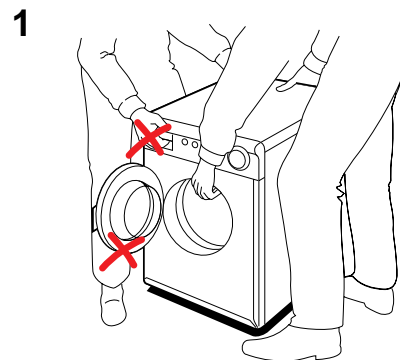
All materials used in packaging this machine are environmentally-friendly. The various plastics used are identified and can be recycled:

- PE stands for polyethylene, which is used for the bag around the machine and the bag in which these instructions were supplied.
- PS stands for polystyrene (moulded), which is used for the sections of packaging needed to cushion the machine.

The cardboard components of the packaging are made from recyclable paper and should be taken to a collection point for recycling.

The machine contains plastic and rubber components. These have identifying marks to show what they are made from, so they can be recycled or disposed of properly at the end of the machine's life.

The materials are identified according to international standards.



Installation

The machine must be installed on a sound and firm surface and must not be touching walls or furniture.

Levelling the machine

Adjust the feet to level the machine. Make sure the machine is standing on all four feet. Accurate levelling prevents vibration, noise and displacement of the machine during operation. (Fig. 1).

Some vibration is normal and unavoidable when the machine is spinning the load, especially if mounted on a wooden floor.

Sprung wooden floors are particularly susceptible to vibration. For advice, consult a builder. If possible, always place the machine on a solid floor.



When the appliance location is on carpet floors, attention must be paid so as to ensure that there is no obstruction to the bottom vents.

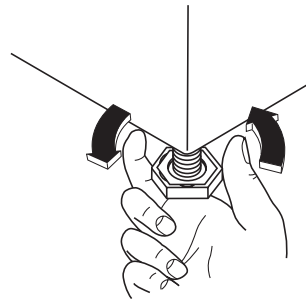
Water inlet

Connect the inlet hose to a tap with a 3/4" pipe thread (Fig. 2).

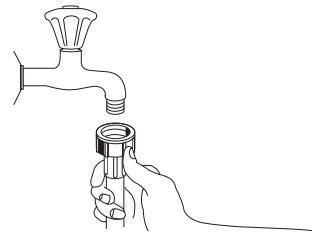
The inlet hose must not be joined onto any form of extension hose. If it is too short, the entire hose must be replaced with a longer high-pressure hose, specially designed for the purpose.

The machine end of this hose can be turned in any direction. Loosen the retaining nut, turn the hose, then retighten the nut (Fig. 3).

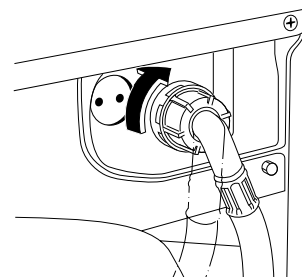
1



2



3



Water drainage

If you intend the drain hose from the machine to empty into a sink, make sure that the sink is empty and that the plug hole is not blocked.

If the machine is permanently plumbed in, hook the end of the hose into a standpipe installed for the purpose. The standpipe must have an internal diameter of at least 40 mm (1 1/2") in order that there is an air gap between the drain hose and the standpipe. Make sure, that it is designed in such a way, that the end of the drain hose cannot be covered with water.

Important

Before connecting up the machine to new pipework or to pipework that has not been used for some time, run off a reasonable amount of water to flush out any debris that may have collected in the pipes.

Whether discharging into a sink or a standpipe, check that the end of the drain hose is neither too high not too low. The top of the curve in the hose's end should be no more than 800 mm (31.5"), and no less than 450 mm (17.8") above floor level.

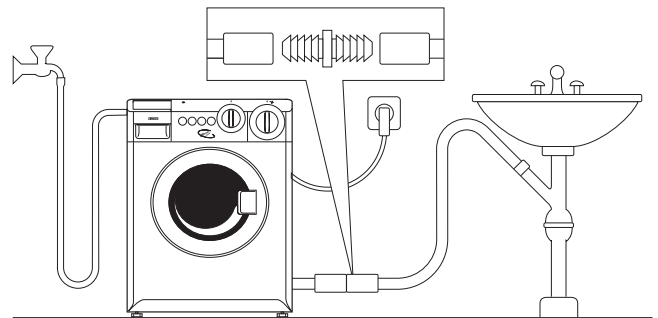
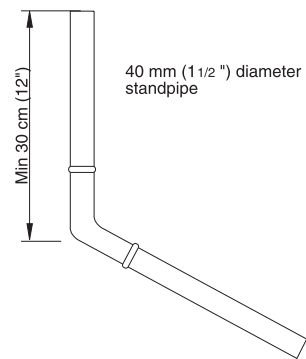
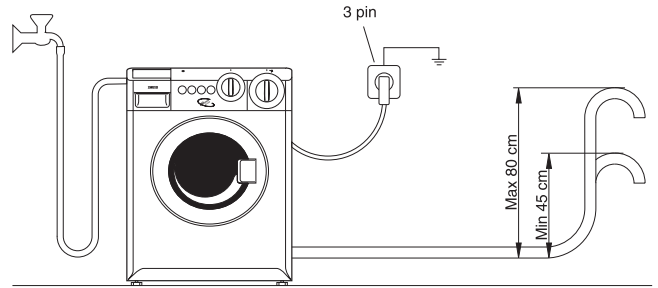
The discharge hose can be extended up to total 3,5 m. For the extension piece use a hose with an internal diameter at least as large as that of the machine's own hose. Use a suitable hose connector. The hose should always be routed at floor level, rising up only where it meets the waste pipe.

Power supply

The washing machine is supplied with a lead and electrical plug for connection to a 230 V, 13 A earthed wall socket. Before any work is carried out on the machine, it must be isolated from the electric mains supply, for example by removing the plug from the wall socket.



Permanent electrical installation must be carried out by an authorised electrician.



ZANUSSI

 **Electrolux**

© Electrolux plc 2003

 **From the Electrolux Group. The world's No. 1 choice.**

The Electrolux Group is the world's largest producer of powered appliances for kitchen, cleaning and outdoor use. More than 55 million Electrolux Group products (such as refrigerators, cookers, washing machines, vacuum cleaners, chain saws and lawn mowers) are sold each year to a value of approx. USD 14 billion in more than 150 countries around the world.



AGB 03-05

Free Manuals Download Website

<http://myh66.com>

<http://usermanuals.us>

<http://www.somanuals.com>

<http://www.4manuals.cc>

<http://www.manual-lib.com>

<http://www.404manual.com>

<http://www.luxmanual.com>

<http://aubethermostatmanual.com>

Golf course search by state

<http://golfingnear.com>

Email search by domain

<http://emailbydomain.com>

Auto manuals search

<http://auto.somanuals.com>

TV manuals search

<http://tv.somanuals.com>