

## 安装

1. 将建伍提供的模板放在面板上，然后标出孔的位置。
2. 按照标出的位置开出一个大孔，并且开一些用于固定扬声器的螺钉孔。
3. 揭开密封海绵的不干胶贴，将胶面粘贴在扬声器的固定边沿的背面，这样会使安装面同安装面板更好的贴合。

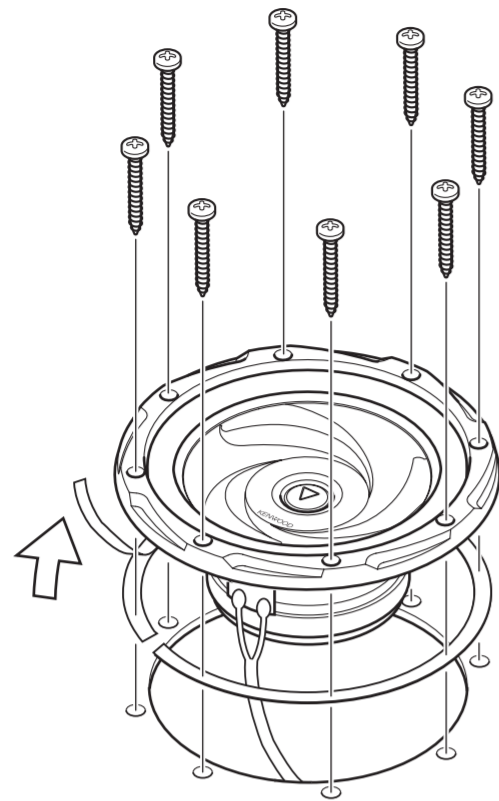


图. 1-1 Fig. 1-1

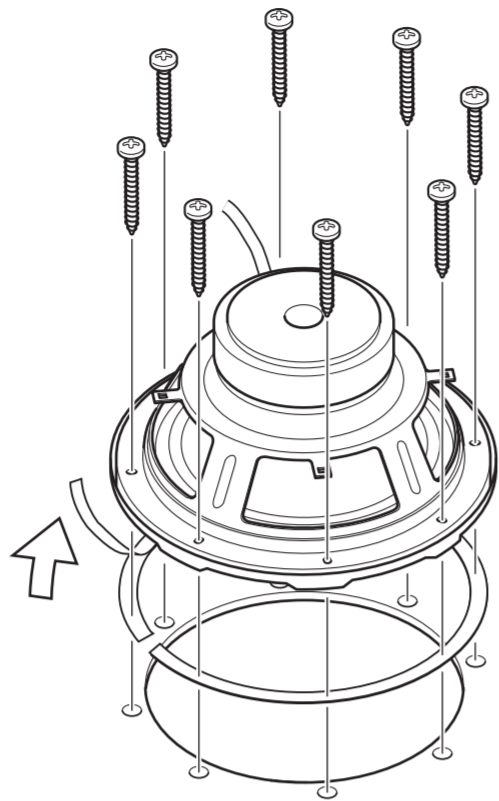


图. 1-2 Fig. 1-2

## Installation

1. Place the supplied template on the panel and then mark the hole positions.
2. Cut open a large hole and make screw holes.
3. Peel off the covering sheet from the spacer, and attach the spacer on the back of the speaker flange so that the flange is completely covered.

## 系统连接

首先，检查功率放大器的功率。如果功率放大器的额定功率高于副低音扬声器的额定输入功率，请增加扬声器的数量或者降低功率放大器的增益，使输入扬声器的功率低于扬声器的额定输入功率。输入功率大于扬声器额定输入功率会导致扬声器发出噪音或者扬声器的损坏。同时，如果使用多扬声器连接，请注意扬声器的总阻抗。请根据功率放大器的阻抗来改变扬声器的连接方式。

## System connections

First, check the power of the amplifier. If the power of the amplifier is higher than the subwoofer's rated input power, increase the number of subwoofers so that the power fed to each subwoofer is lower than its rated input power, or lower the sensitivity of the amplifier. Supplying power greater than its rated input power of the subwoofer will cause noise and/or breakage. Also, if using multiple subwoofers, be careful about the total impedance. Change the connecting pattern of the speakers according to the capable impedance of the amplifier.

### ■ 串联

### ■ Series Wiring

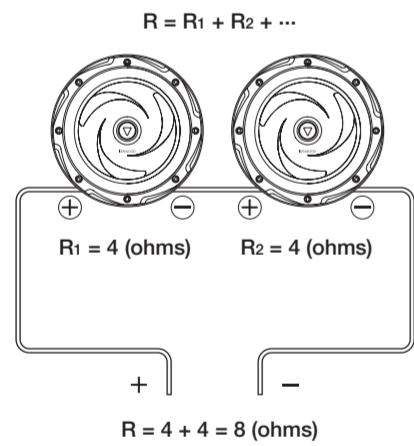


图. 2-1 Fig. 2-1

### ■ 并联

### ■ Parallel Wiring

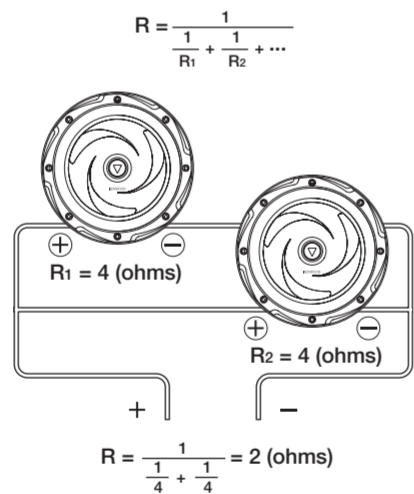


图. 2-2 Fig. 2-2

### ■ 串联 - 并联连接

### ■ Series-Parallel Wiring

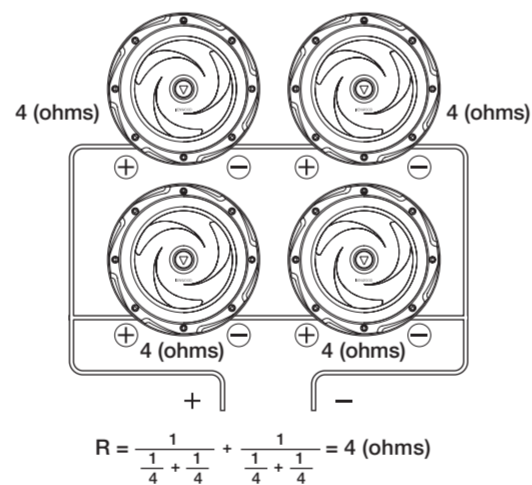


图. 2-3 Fig. 2-3

- 使用分频器选择不同使用状态的使用频率

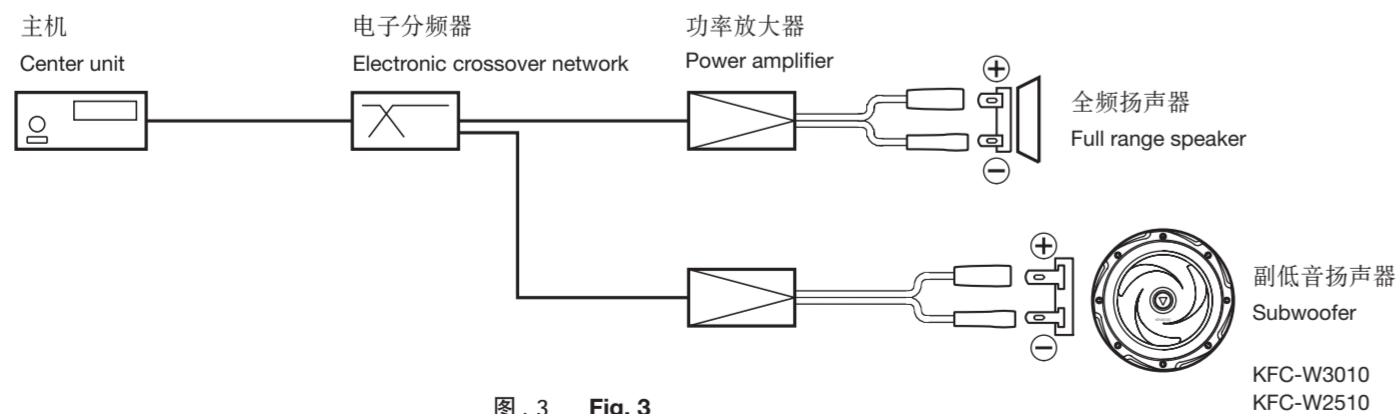


图. 3 Fig. 3

- Use a crossover network of your choice with an appropriate cut-off frequency.

### ⚠ 警告

请将功率放大器的增益调至与 CD 播放器或者调频调幅接收机的预置输出值接近的数值。

### ⚠ Caution

The sensitivity of the power amplifier should be set to the same value as the pre-output volume of the CD player or Tuner.

## 重要安全措施

⚠ 提醒：为了您的安全，请务必仔细阅读以下内容

1. 窒息  
将扬声器单元从塑料包装中取出后，请务必妥善处置塑料包装以免儿童受到不必要的伤害。包装袋可能造成儿童的窒息。
2. 电源电压  
请将扬声器的装置连接至 12V 直流、负极接地。
3. 水和湿气  
请不要将扬声器安装在有水或者潮湿的地方。
4. 灰尘和不稳固的地方  
请不要将扬声器安装在不稳固的地方或者灰尘较多的地方。
5. 改动  
请不要试图打开或者改动扬声器单元，这样可能会引起火灾或者故障。
6. 清洁  
请不要用汽油、石油或者任何具有腐蚀性的液体来清洁扬声器单元。清洁扬声器请使用一块柔软、干燥的布擦拭即可。
7. 故障  
当扬声器单元冒烟、发出异味、或者没有声音，请立即关闭电源。之后，请尽快联系您的经销商或者最近的维修站。

## IMPORTANT SAFEGUARDS

⚠ Caution : Read this page carefully to keep your safety.

1. Suffocation  
After taking the unit out of the polyethylene bag, be sure to dispose of the polyethylene bag out of the reach of children. Otherwise, they may play with the bag, which could cause hazard of suffocation.
2. Power supply voltage  
Connect the illumination lamp-equipped speakers to DC 12V, negative ground.
3. Water and moisture  
Do not install the speakers in locations which may be subject to water or moisture.
4. Dust and unstable locations  
Do not install the speakers in unstable locations or locations subject to dust.
5. Modification  
Do not attempt to open or modify the unit, for this could cause fire hazard or malfunction.
6. Cleaning  
Do not use gasoline, naphtha, or any type of solvent to clean the speakers. Clean by wiping with a soft, dry cloth.
7. Malfunction  
In the event the unit generates smoke or abnormal smell or no sound comes out from the speaker, immediately switch the power OFF. After this, please contact your dealer or nearest service station as soon as possible.

### 副低音扬声器

### 安装说明书

SUBWOOFER

### INSTRUCTION MANUAL

KFC-W3010

KFC-W2510

### Note:

- Observe the following cautions to prevent damage to the speakers.
- You cannot input the same power as "peak power" continually.
  - When the volume is set too high, the sound may be distorted or abnormal. Reduce the volume promptly in case of such phenomena.
  - While the listening volume is set to a high level, do not load or eject a disc or cassette tape or operate the selector and power switches of the amplifier.

### 注意事项：

- 请仔细阅读以下内容，以免产生扬声器的损坏。
- 请不要持续输入与峰值功率相等的功率。
  - 当音量被调至太高，声音可能会失真或者处于非正常状态。如果出现这种现象，请立即调低音量。
  - 当您把主机置于高的音量时，请不要播放或取出光盘或磁带，或者操作功放的电源开关和分频器。

B61-1292-00 (MND)

# — KFC-W3010 —

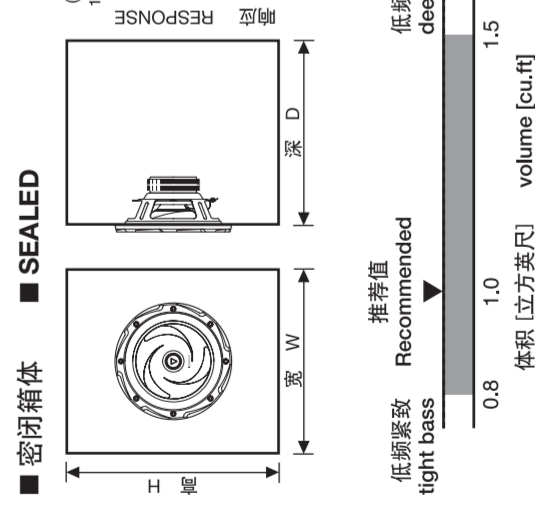
## 技术参数

### Technical specifications

| 符号<br>SYMBOL                         | 单位<br>UNIT                  | KFC-W3010                    |
|--------------------------------------|-----------------------------|------------------------------|
| 额定阻抗<br>Nominal Impedance            | 欧姆<br>ohm                   | 4                            |
| 直流阻抗<br>DC Resistance                | 欧姆<br>ohm                   | 4                            |
| 音圈阻抗<br>Voice Coil Inductance        | mH                          | 1.62                         |
| 音圈面积<br>Piston Area                  | 平方米<br>sq.m                 | 0.0491                       |
| 耦合系数<br>Force Factor                 | TLm                         | 15.8                         |
| 扬声有效容积<br>Volume Acoustic Compliance | 升<br>liter<br>立方英尺<br>cu.ft | 63.93<br>2.259               |
| 振动质量<br>Moving Mass                  | Mms                         | 9                            |
| 谐振频率<br>Resonance Frequency          | Fs                          | 32                           |
| 机械品质因数<br>Mechanical Q Factor        | Qms                         | 12.11                        |
| 电子品质因数<br>Electrical Q Factor        | Qes                         | 0.44                         |
| 总品质因数<br>Total Q Factor              | Qts                         | 0.42                         |
| 峰值功率<br>Peak Power                   | W                           | 1000                         |
| 最大冲程<br>Peak Excursion               | mm                          | 8                            |
| 排空体积<br>Displacement                 | cc<br>立方英尺<br>cu.ft         | 4,077<br>0.144               |
| 安装深度<br>Mounting Depth               | mm<br>(英寸)<br>(英寸)          | 135 (5-5/16)<br>1,800 (63-4) |
| 磁体重量<br>Weight of Magnet             | g<br>(盎司)<br>(盎司)           | 1,800 (63-4)<br>65 (2-9/16)  |
| 音圈直径<br>Voice Coil Diameter          | mm<br>(英寸)<br>(英寸)          | 85 (2-9/16)                  |

### 推荐容积

### Recommended Enclosures

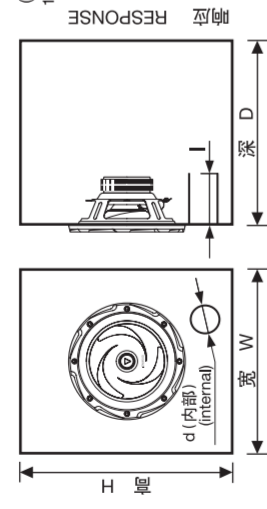


推荐值  
Recommended  
tight bass  
深 bass  
deep bass

推荐值  
Recommended  
volume [cu.ft]  
体积 [立方英尺]

0.8 1.0 1.5

### 开孔箱体



推荐值  
Recommended  
tight bass  
深 bass  
deep bass

推荐值  
Recommended  
volume [cu.ft]  
体积 [立方英尺]

1.0 1.5 2.0

### 推荐容积

| 型号名称<br>Model Name | 体积<br>Volume  | 宽<br>W        | 高<br>H        | 深<br>D       | 安装<br>Mounting Hole | 喇叭孔径 (d)<br>Port Diameter | 排空体积<br>Port Length   Displacement |
|--------------------|---------------|---------------|---------------|--------------|---------------------|---------------------------|------------------------------------|
| KFC-W3010          | 1.0           | 375 (14-3/4)  | 360 (14-3/16) | 350 (13-3/4) | 277 (10-7/8)        | 340 (13-3/8)              | 76 (3) 178 (7)                     |
| 单位<br>Unit         | 立方英尺<br>cu.ft | mm (英寸) (in.) |               |              |                     |                           |                                    |

使用 21 毫米 (3/4 英寸) 厚的中密度纤维板或者高密度粒子板。

Use 21 mm (3/4 inch) thick Medium Density Fiberboard (MDP) or High Density Particleboard.

# — KFC-W2510 —

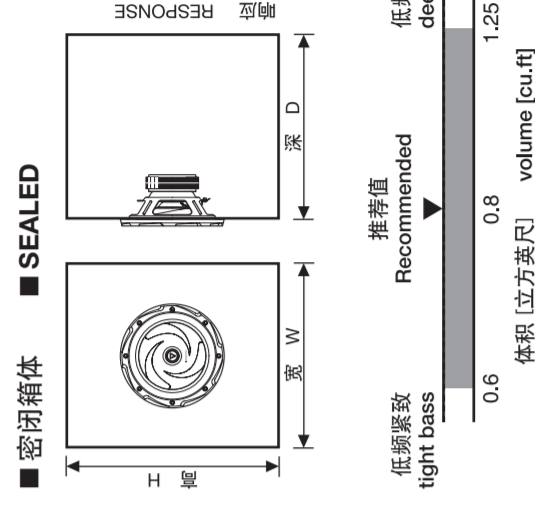
## 技术参数

### Technical specifications

| 符号<br>SYMBOL                         | 单位<br>UNIT                  | KFC-W2510                   |
|--------------------------------------|-----------------------------|-----------------------------|
| 额定阻抗<br>Nominal Impedance            | 欧姆<br>ohm                   | 4                           |
| 直流阻抗<br>DC Resistance                | 欧姆<br>ohm                   | 4                           |
| 音圈阻抗<br>Voice Coil Inductance        | mH                          | 1.36                        |
| 音圈面积<br>Piston Area                  | 平方米<br>sq.m                 | 0.0363                      |
| 耦合系数<br>Force Factor                 | TLm                         | 13.2                        |
| 扬声有效容积<br>Volume Acoustic Compliance | 升<br>liter<br>立方英尺<br>cu.ft | 44.04<br>1.556              |
| 振动质量<br>Moving Mass                  | Mms                         | 9                           |
| 谐振频率<br>Resonance Frequency          | Fs                          | 35                          |
| 机械品质因数<br>Mechanical Q Factor        | Qms                         | 10.55                       |
| 电子品质因数<br>Electrical Q Factor        | Qes                         | 0.44                        |
| 总品质因数<br>Total Q Factor              | Qts                         | 0.42                        |
| 峰值功率<br>Peak Power                   | W                           | 800                         |
| 最大冲程<br>Peak Excursion               | mm                          | 8                           |
| 排空体积<br>Displacement                 | cc<br>立方英尺<br>cu.ft         | 2,390<br>0.084              |
| 安装深度<br>Mounting Depth               | mm<br>(英寸)<br>(英寸)          | 117 (4-5/8)<br>1,400 (49-3) |
| 磁体重量<br>Weight of Magnet             | g<br>(盎司)<br>(盎司)           | 1,400 (49-3)<br>48 (1-7/8)  |
| 音圈直径<br>Voice Coil Diameter          | mm<br>(英寸)<br>(英寸)          | 85 (3-3/8)                  |

### 推荐容积

### Recommended Enclosures

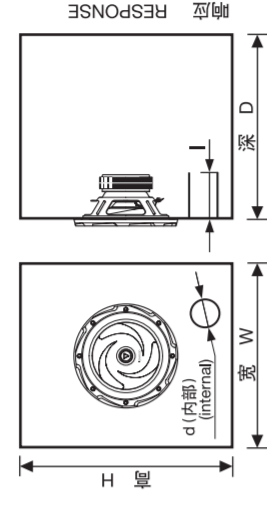


推荐值  
Recommended  
tight bass  
深 bass  
deep bass

推荐值  
Recommended  
volume [cu.ft]  
体积 [立方英尺]

0.6 0.8 1.25

### 开孔箱体



推荐值  
Recommended  
tight bass  
深 bass  
deep bass

推荐值  
Recommended  
volume [cu.ft]  
体积 [立方英尺]

0.75 1.0 1.5

### 推荐容积

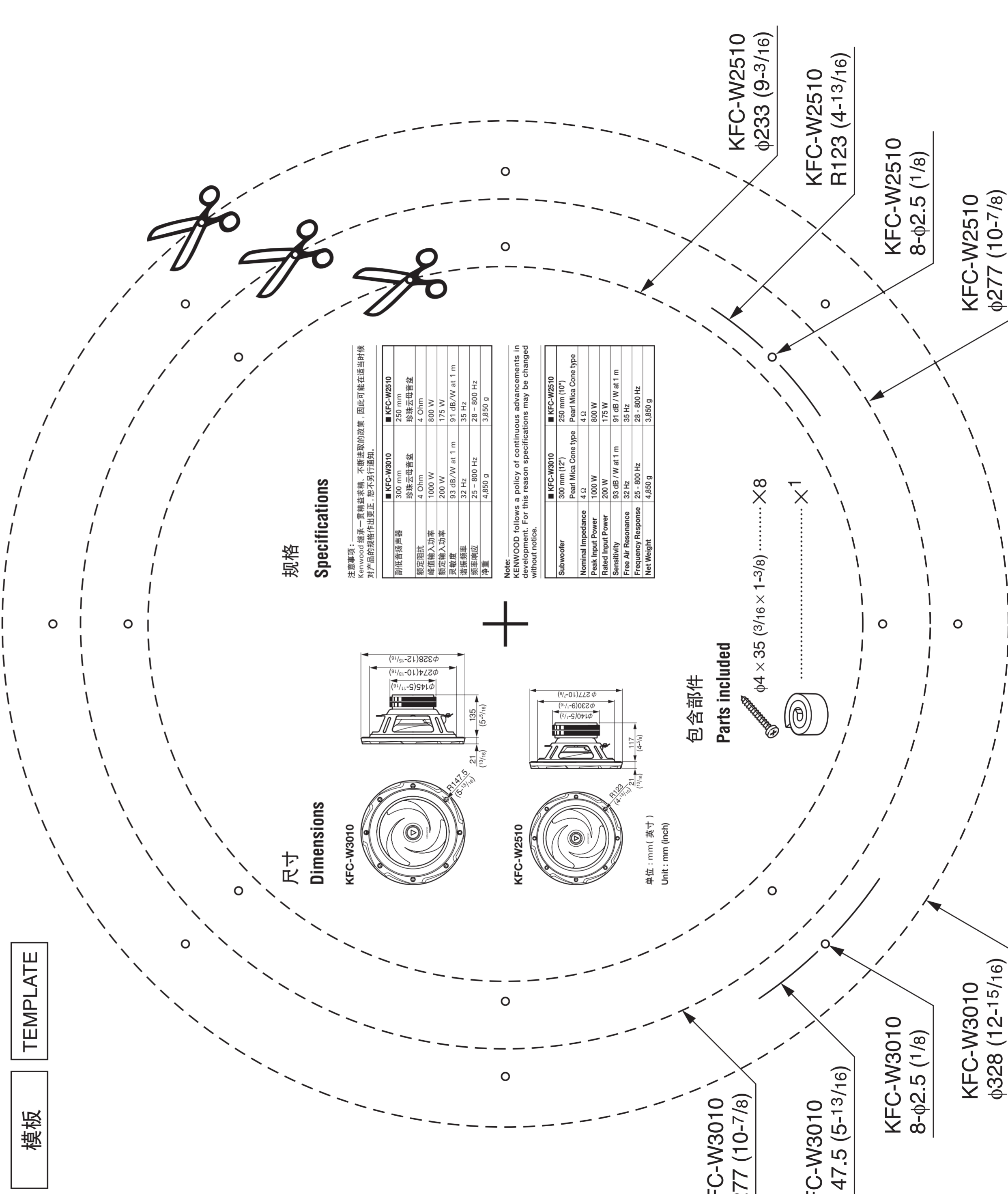
| 型号名称<br>Model Name | 体积<br>Volume  | 宽<br>W        | 高<br>H   | 深<br>D       | 安装<br>Mounting Hole | 喇叭孔径 (d)<br>Port Diameter | 排空体积<br>Port Length   Displacement |
|--------------------|---------------|---------------|----------|--------------|---------------------|---------------------------|------------------------------------|
| KFC-W2510          | 0.8           | 350 (13-3/4)  | 330 (13) | 320 (12-5/8) | 233 (9-3/16)        | 270 (10-5/8)              | 76 (3) 178 (7)                     |
| 单位<br>Unit         | 立方英尺<br>cu.ft | mm (英寸) (in.) |          |              |                     |                           |                                    |

使用 21 毫米 (3/4 英寸) 厚的中密度纤维板或者高密度粒子板。

Use 21 mm (3/4 inch) thick Medium Density Fiberboard (MDP) or High Density Particleboard.

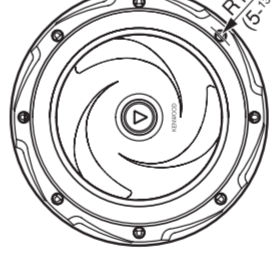
模板

TEMPLATE

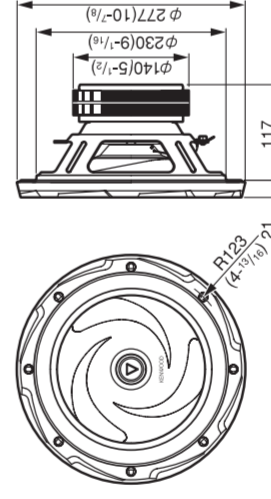


### 尺寸 Dimensions

KFC-W3010



KFC-W2510



单位 : mm (英寸)  
Unit : mm (inch)

### 规格 Specifications

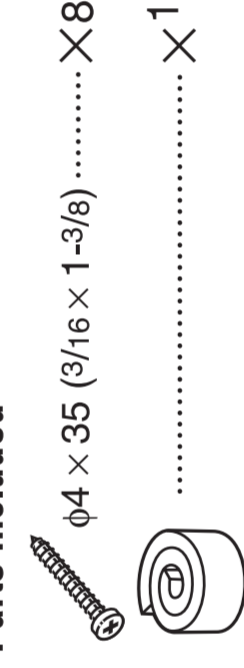
注意事项：  
Kenwood 追求精益求精，不断进步的政策，因此可能在适当时候对产品的规格作出更正，恕不另行通知。

| 副低音扬声器<br>Subwoofer            | 额定阻抗<br>Nominal Impedance | 额定功率<br>Rated Input Power | 灵敏度<br>Sensitivity | 自由空气共振<br>Free Air Resonance | 频率响应<br>Frequency Response | 净重<br>Net Weight |
|--------------------------------|---------------------------|---------------------------|--------------------|------------------------------|----------------------------|------------------|
| ■ KFC-W3010<br>300 mm<br>珍珠五音盆 | 4 Ohm                     | 1000 W                    | 93 dB/W at 1 m     | 32 Hz                        | 25 - 800 Hz                | 4,850 g          |
| ■ KFC-W2510<br>250 mm<br>珍珠五音盆 | 4 Ohm                     | 800 W                     | 91 dB/W at 1 m     | 35 Hz                        | 28 - 800 Hz                | 3,850 g          |

Note:  
KENWOOD follows a policy of continuous advancements in its products. For this reason specifications may be changed without notice.

| 副低音扬声器<br>Subwoofer                                 | 额定阻抗<br>Nominal Impedance | 额定功率<br>Rated Input Power | 灵敏度<br>Sensitivity | 自由空气共振<br>Free Air Resonance | 频率响应<br>Frequency Response | 净重<br>Net Weight |
|---|---------------------------|---------------------------|--------------------|------------------------------|----------------------------|------------------|
| ■ KFC-W3010<br>300 mm (12")<br>Pearl Mica Cone type | 4 Ω                       | 1000 W                    | 93 dB/W at 1 m     | 32 Hz                        | 25 - 800 Hz                | 4,850 g          |
| ■ KFC-W2510<br>250 mm (10")<br>Pearl Mica Cone type | 4 Ω                       | 800 W                     | 91 dB/W at 1 m     | 35 Hz                        | 28 - 800 Hz                | 3,850 g          |

### 包含部件 Parts included



KFC-W3010  
φ277 (10-7/8)

KFC-W3010  
R147.5 (5-13/16)

KFC-W3010  
8-φ2.5 (1/8)

KFC-W3010  
φ328 (12-15/16)

KFC-W2510  
φ233 (9-3/16)

KFC-W2510  
R123 (4-13/16)

KFC-W2510  
8-φ2.5 (1/8)

KFC-W2510  
φ277 (10-7/8)

单位 : mm (英寸)  
Unit : mm (inch)

## Free Manuals Download Website

<http://myh66.com>

<http://usermanuals.us>

<http://www.somanuals.com>

<http://www.4manuals.cc>

<http://www.manual-lib.com>

<http://www.404manual.com>

<http://www.luxmanual.com>

<http://aubethermostatmanual.com>

Golf course search by state

<http://golfingnear.com>

Email search by domain

<http://emailbydomain.com>

Auto manuals search

<http://auto.somanuals.com>

TV manuals search

<http://tv.somanuals.com>