

**BELKIN**<sup>®</sup>

Bluetooth<sup>™</sup>  
Hands-Free Headset



En  
Fr  
De  
NL  
Es  
It



 **Bluetooth**<sup>™</sup>

F8T061

**BELKIN**<sup>®</sup>

Bluetooth<sup>™</sup>  
Hands-Free Headset

En



 **Bluetooth**<sup>™</sup>

F8T061

## Table of Contents

---

<b>1 Introduction</b> .....	1
Product Features .....	1
System Requirements .....	2
Specifications .....	3
Supported Profiles .....	5
<b>2 Getting to Know your Hands-Free Headset</b> .....	6
<b>3 Before you Begin</b> .....	8
<b>4 Pairing to a <i>Bluetooth</i> Technology-Enabled Phone</b> .....	12
<b>5 Information</b> .....	26

## Introduction

---

Congratulations and thank you for purchasing the *Bluetooth* Hands-Free Headset from Belkin. The Headset features the breakthrough *Bluetooth* wireless technology that lets you create efficient communications with your *Bluetooth* technology-enabled phone. Please review this manual carefully to ensure you get the most from your product.

### Product Features

The *Bluetooth* Hands-Free Headset is compliant with *Bluetooth* standard version 1.1 and provides:

- Support for the Headset and Hands-Free Profile
- Compatibility with *Bluetooth* technology-enabled phones
- A moldable ear hook, providing a comfortable fit with SoftHold™ technology
- Built-in security: up to 128-bit encryption and authentication

## Introduction

### System Requirements

Compatible with all phones enabled with *Bluetooth* v1.1, including, but not limited to:

- Sony Ericsson® T610, T616, T618, T68i, P800
- Nokia® 3650, 3600, 6310, 6310i, 8910, 8910i, 6600, N-Gage™
- Philips® Fisio® 820, 825
- Ericsson® T39m, T68m

### Package Contents

- *Bluetooth* Hands-Free Headset
- Desktop Charger
- SoftHold moldable ear hook with 3 interchangeable earplugs
- 5V DC, 300mA Power Supply
- User Manual
- Registration Card

## Introduction

### Specifications

Model:	F8T061	1
<i>Bluetooth</i> Compliance:	Version 1.1	2
Operating Frequency:	2.4 to 2.4835GHz	3
Spread Spectrum:	FHSS (Frequency Hopping Spread Spectrum)	4
Modulation:	GFSK (Gaussian Frequency Shift Keying)	5
RF Output:	0 dBm, Class 2	
Sensitivity:	< 0.1% BER at -81 dBm	
Frequency Stability:	+/- 10PPM	
Operation Range:	10m (33 ft.)*	
Design:	Left and right ear	
Battery:	Rechargeable lithium polymer	

## Introduction

Antenna:	Integrated, 0 +/- adbi
LED Indicator:	Power/Pairing
Charger:	5.0V DC, 300mA
Typical Power Consumption:	TX: 150mA, Rx 80mA
Dimensions:	64mm (L) x 22mm (W) x 8mm (H)
Weight:	0.8oz.

\*10m range is dependent upon environment, number of users, and other wireless devices within immediate proximity.

Specifications are subject to change without notice.

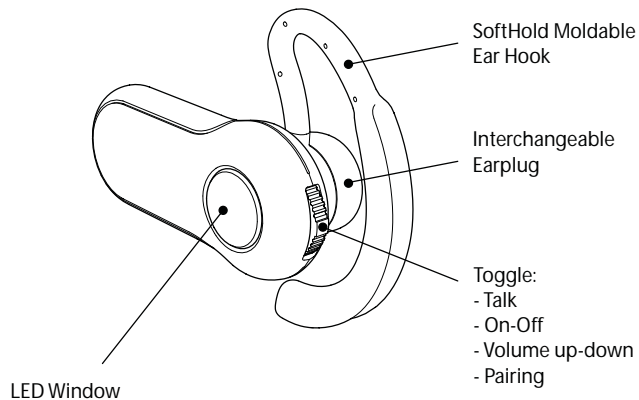
## Introduction

### Supported Profiles

The services supported by your Headset are defined as "Profiles". Available Profiles include:

- Hands-Free
- Headset

## Getting to Know your Hands-Free Headset



6

## Getting to Know your Hands-Free Headset

### Status Indicators

LED	Status
5 quick blue flashes	Headset is being turned on
5 quick red flashes	Headset is being turned off
Continues blue/red flashing	Headset is in pairing mode
Flashes blue once every 3 seconds	Headset paired but not active
3 quick blue flashes every 3 seconds	Headset paired and active

section

1

2

3

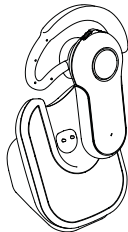
4

5

7

## Before you Begin

**Warning:** The *Bluetooth* Hands-Free Headset and charger have magnets in them that allow them to dock with each other. Keep magnets at least two feet away from computer hard drives, and other magnetic storage media, monitors, televisions, VCRs, videotapes, cameras, camera film, credit cards, etc.



### For *Bluetooth* Technology-Enabled Phones

The *Bluetooth* Hands-Free Headset is compatible with *Bluetooth* phones (version 1.1 phones).

Check for phone compatibility on page 2, or check with your phone manufacturer to ensure *Bluetooth* compatibility.

## Before you Begin

### Charge your Headset

Your *Bluetooth* Hands-Free Headset is equipped with a rechargeable lithium polymer battery and must be charged prior to use.

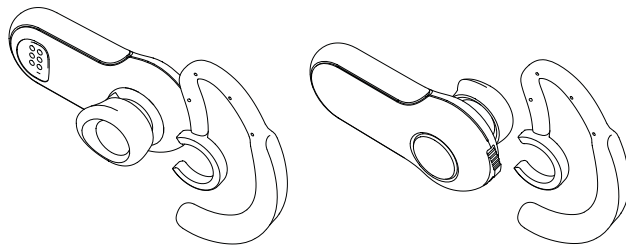
1. Plug one end of the power adapter into the desktop charger and the other end into an available 230V AC electrical outlet.
2. Insert the Headset into the desktop charger. The charging indicator on the charger will illuminate red.
3. Charge the Headset for approximately two hours or until the red charger indicator light goes out.

**Note:** The red indicator light will be on while the Headset is charging and will turn off when charging is complete.

## Before you Begin

### Adjust the Earpiece

The SoftHold earpiece was designed to comfortably fit around the left or right ear. You may change the position of the earpiece simply by flipping the earpiece and snapping it into place as described below.

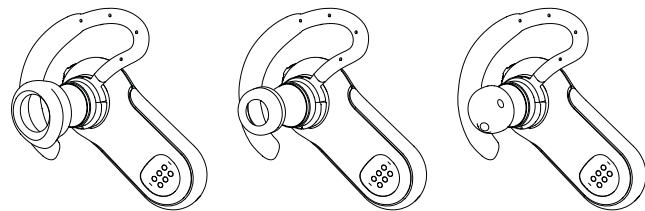


10

## Before you Begin

### Changing the Ear Plugs

The Headset includes three interchangeable earplugs that are designed to fit common ear types. Select the earplug that fits the most comfortably for your ear type.



11

section

1

2

3

4

5



## Pairing to a *Bluetooth* Technology-Enabled Phone

---

### Pairing Instructions for Popular *Bluetooth* Technology-Enabled Phones

For specific instructions to pair your phone, find your model below or refer to your mobile telephone user guide.

**Note:** For security purposes, the Headset will remain in pairing mode for 60 seconds. If the pairing process is not completed within 60 seconds, you will have to redo the entire pairing procedure.

## Pairing to a *Bluetooth* Technology-Enabled Phone

---

### Pairing Process for Nokia 6310 and 6310i

1. Ensure that your Headset is turned off.
2. Press and hold down the talk button. After approximately eight seconds, the blue light will flash five times, indicating the Headset is powered on. Do not release the button until you see an alternating blue and red light. This indicates the Headset is in pairing mode.
3. Select "Menu" and then go to "*Bluetooth*".
4. Make sure your *Bluetooth* capability is turned ON.
5. Scroll down to "Search for Audio Accessories".
6. Your phone will find the Belkin Headset and list it under "Found Devices".

## Pairing to a *Bluetooth* Technology-Enabled Phone

---

7. Select "Belkin Headset" to initiate the pairing.
8. Enter the passkey or pin "0000" (4 zeros). You should see the LED lights switch from flashing blue/red to flashing blue every three seconds.
9. Your Headset is now ready to use.

## Pairing to a *Bluetooth* Technology-Enabled Phone

---

### Pairing Process for Nokia 3650 and N-Gage

1. Ensure that your Headset is turned off.
2. Press and hold down the talk button. After approximately eight seconds, the blue light will flash five times, indicating the Headset is powered on. Do not release the button until you see an alternating blue and red light. This indicates the Headset is in pairing mode.
3. Select "Menu" and then go to the "Tools" folder.
4. Select "*Bluetooth*".
5. Make sure your *Bluetooth* capability is turned ON.
6. Scroll to the "Paired Devices" tab and select "Options".
7. Under "Options" select "New Paired Devices".

## Pairing to a *Bluetooth* Technology-Enabled Phone

---

8. Your phone will search and find the "Belkin Headset".
9. Select "Belkin Headset" to initiate the pairing.
10. Enter the passkey or pin "0000" (4 zeros). You should see the LED lights switch from flashing blue/red to flashing blue every three seconds.
11. Exit the Menu.
12. On your Headset, initiate a connection to your mobile phone by pushing the talk button once. After a few seconds you will be asked on your mobile phone to accept a connection from the *Bluetooth* Headset.
13. Your Headset is now ready to use.

## Pairing to a *Bluetooth* Technology-Enabled Phone

---

### Pairing Process for Sony Ericsson T68i

1. Ensure that your Headset is turned off.
2. Press and hold down the talk button. After approximately eight seconds, the blue light will flash five times, indicating the Headset is powered on. Do not release the button until you see an alternating blue and red light. This indicates the Headset is in pairing mode.
3. Go to the Menu screen for your T68i.
4. Select the "Connect" icon, then select "*Bluetooth*".
5. Go to "Paired Devices" and "Add a Device".
6. Select "Phone Initiates".
7. Select "Hands-Free" (make sure your Headset is flashing blue/red).

## Pairing to a *Bluetooth* Technology-Enabled Phone

---

8. Your phone will find the Headset and list it under "Found Devices".
9. Select "Belkin Headset" to initiate the pairing.
10. Enter the passkey or pin "0000" (4 zeros). You should see the LED lights switch from flashing blue/red to flashing blue every three seconds.
11. Your Headset is now ready to use.

## Pairing to a *Bluetooth* Technology-Enabled Phone

---

### Pairing Process for Sony Ericsson T610, T616, T618

1. Ensure that your Headset is turned off.
2. Press and hold down the talk button. After approximately eight seconds, the blue light will flash five times, indicating the Headset is powered on. Do not release the button until you see an alternating blue and red light. This indicates the Headset is in pairing mode.
3. Go to the Menu screen for your T610 series.
4. Select the "Connect" icon, then select "*Bluetooth*".
5. Select "Hands-free Devices".
6. Select "My Hands-free" and "Add a new hands-free device".
7. Your phone will find the "Belkin Headset" and list it under "Found Devices".

## Pairing to a *Bluetooth* Technology-Enabled Phone

---

8. Select "Belkin Headset" to initiate the pairing.
9. Enter the passkey or pin "0000" (4 zeros). You should see the LED lights switch from flashing blue/red to flashing blue every three seconds.
10. Your Headset is now ready to use.

## Pairing to a *Bluetooth* Technology-Enabled Phone

---

### Pairing Process for Sony Ericsson P800

1. Ensure that your Headset is turned off.
2. Press and hold down the talk button. After approximately eight seconds, the blue light will flash five times, indicating the Headset is powered on. Do not release the button until you see an alternating blue and red light. This indicates the Headset is in pairing mode.
3. From the application selection screen, select "Control Panel".
4. Select the "Connections" tab, then select "*Bluetooth*" from the list.
5. Select the "Settings" tab and bring down the "Operation Mode" drop-down menu.

## Pairing to a *Bluetooth* Technology-Enabled Phone

---

6. Select "Auto", then select the "Add" button.
7. Once you've done this, the P800 will detect all the discoverable *Bluetooth* devices within its range.
8. Once the P800 has detected your "Belkin Headset", select it and when prompted for the passkey, enter "0000" and select "Done".
9. You have now successfully paired your *Bluetooth* Hands-Free Headset with your P800 phone.
10. You may select the "Done" button to return to the Control Panel.

## Pairing to a *Bluetooth* Technology-Enabled Phone

---

### Using your Headset

#### Switching the Headset On and Off

To turn your Headset on, remove the Headset from the desktop charger, then press and hold the talk button until the LED indicator flashes blue five times. The LED indicator will flash blue every three seconds while the Headset is on.

To turn your Headset off, press and hold the talk button until the LED indicator flashes red five times.

#### Fitting the Headset

Decide which side of your head you will wear the Headset on, and use your hand on that side to slide the ear hook gently over and around your ear in a circular motion. Adjust the ear hook to your ear by molding it around the contour of your ear.

## Pairing to a *Bluetooth* Technology-Enabled Phone

---

### Answering a Call

To answer a call, wait until your Headset rings, then press the talk button once to answer.

### Ending a Call

To end a call, press the talk button at any time during a phone call.

### Making a Call

To make a call, dial using your mobile phone.

### Voice Dialling

If your mobile phone allows voice Dialling, push the talk button to initiate it through your Headset.

## Pairing to a *Bluetooth* Technology-Enabled Phone

---

### Volume Control

Right-ear users:

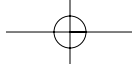
To increase the volume on the Headset, push the toggle button upward.

To decrease the volume on the Headset, push the toggle button downward.

Left-ear users:

To increase the volume on the Headset, push the toggle button downward.

To decrease the volume on the Headset, push the toggle button upward.



## Information

---

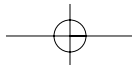
### Regulatory Notices

To identify this product, refer to the part or model number on the product label.

For customer support and for regulatory issues, contact Belkin at **00 800 223 55 460**.

### Federal Communications Commission Notices

This equipment has been tested and found to comply with the limits for a Class B digital device, pursuant to Part 15 of the FCC Rules. These limits are designed to provide reasonable protection against harmful interference in a residential installation. This equipment generates, uses, and can radiate radio frequency energy and, if not installed and used in



## Information

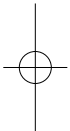
---

accordance with the instructions, may cause harmful interference to radio communications. However, there is no guarantee that interference will not occur in a particular installation. If this equipment does cause harmful interference to radio or television reception, which can be determined by turning the equipment off and on, the user is encouraged to try to correct the interference by one or more of the following measures:

- Increase the separation between the equipment and receiver.
- Connect the equipment into an outlet on a circuit different from that to which the receiver is connected.
- Consult the dealer or an experienced radio/TV technician for help.

1  
—  
2  
—  
3  
—  
4  
—  
**5**

section





## Information

We, Belkin Corporation, of 501 West Walnut Street, Compton, CA 90220, declare under our sole responsibility that the product,

F8T061

to which this declaration relates, complies with Part 15 of the FCC Rules. Operation is subject to the following two conditions: (1) this device may not cause harmful interference, and (2) this device must accept any interference received, including interference that may cause undesired operation.

## Modifications

The FCC requires the user to be notified that any changes or modifications made to this device that are not expressly approved by the manufacturer may void the user's authority to operate the equipment.

## Information

### Canada-Industry Canada (IC)

The wireless radio of this device complies with RSS 139 & RSS 210 Industry Canada. This Class B digital complies with Canadian ICES-003.

### European Community Notice

Hereby, Belkin Corporation declares that this *Bluetooth* Hands-Free Headset is in compliance with the essential requirements and other relevant provisions of Directive 1999/5/EC.



## Information

---

Products bearing the CE marking comply with the R&TTE Directive (1999/5/EC), EMC Directive (89/336/EEC), and the Low Voltage Directive (73/23/EEC) issued by the commission of the European Community. Compliance with these directives implies conformity to the following European Norms (in parentheses are the equivalent international standards and regulations):

- EN 60950 (IEC60950) – Product Safety
- ETS 300 328 – Technical requirements for radio equipment
- EN 301 489-17 – General EMC requirements for radio equipment

This product may be used in all EU and EFTA countries.

## Information

---

### Wireless Notice

In some situations or environments, the use of wireless devices may be restricted. Such restrictions may apply aboard airplanes, in hospitals, near explosives, in hazardous locations, etc. If you are uncertain of the policy that applies to the use of this device, please ask for authorisation to use it prior to turning it on.

# BELKIN®

## Bluetooth™ Hands-Free Headset

# BELKIN®

## Casque d'écoute Sans Fil Bluetooth™



belkin.com

### Belkin Corporation

5501 West Walnut Street  
Compton • CA • 90220-5221 • USA  
Tel: +1 310 898 1100  
Fax: +1 310 898 1111

### Belkin Ltd.

Express Business Park • Shipton Way  
Rushden • NN10 6GL • United Kingdom  
Tel: +44 (0) 1933 35 2000  
Fax: +44 (0) 1933 31 2000

### Belkin B.V.

Boeing Avenue 333  
1119 PH Schiphol-Rijk • The Netherlands  
Tel: +31 (0) 20 654 7300  
Fax: +31 (0) 20 654 7349

### Belkin Tech Support

Europe: 00 800 223 55 460  
US: 877 736 5771

© 2004 Belkin Corporation. All rights reserved. All trade names are registered trademarks of respective manufacturers listed. The *Bluetooth* name and the *Bluetooth* trademarks are owned by *Bluetooth* SIG, Inc., and are used by Belkin Corporation under license.

### Belkin GmbH

Hanebergstrasse 2  
80637 München • Germany  
Tel: +49 (0) 89 143405 0  
Fax: +49 (0) 89 143405 100

### Belkin Components SAS

5 Rue du Petit Robinson • 3ème étage  
78350 Jouy en Josas • France  
Tel: +33 (0) 1 34 58 14 00  
Fax: +33 (0) 1 39 46 62 89

### Belkin Ltd

7 Bowen Crescent • West Gosford  
NSW 2250 • Australia  
Tel: +61 (0) 2 4372 8600  
Fax: +61 (0) 2 4372 8603

P74500



Fr



F8T061

## Table des matières

<b>1 Introduction</b> .....	1
Caractéristiques du Produit .....	1
Configuration requise .....	2
Spécifications .....	3
Profils pris en charge .....	5
<b>2 Présentation de votre Casque d'écoute Sans Fil</b> .....	6
<b>3 Avant de commencer</b> .....	8
<b>4 Pairing (association) avec un téléphone</b> <i>Bluetooth</i> .....	12
<b>5 Information</b> .....	26

## Introduction

Félicitations et merci d'avoir acheté le Casque d'écoute Sans Fil *Bluetooth* de Belkin. Le Casque d'écoute Sans Fil *Bluetooth* de Belkin vous offre la technologie innovante *Bluetooth*, qui vous permet de créer des connexions sans fil avec votre téléphone équipé de la technologie *Bluetooth*. Veuillez prendre le temps lire ce manuel afin de tirer le maximum de votre nouvel achat.

## Caractéristiques du Produit

Le Casque d'écoute Sans Fil *Bluetooth* est compatible avec la norme *Bluetooth* version 1.1 et présente les caractéristiques suivantes :

- Prise en charge du profil Casque d'écoute et Mains libres
- Compatibilité avec les téléphones *Bluetooth*
- Oreillette moulable, offrant un confort sur mesure grâce à la technologie SoftHold™
- Sécurité intégrée : cryptage et authentification jusqu'à 128 bits

1  
2  
3  
4  
5

section

## Introduction

### Configuration requise

Compatible avec tous les téléphones équipés de la technologie *Bluetooth* v1.1, parmi ceux-ci :

- Sony Ericsson® T610, T616, T618, T68i, P800
- Nokia® 3650, 3600, 6310, 6310i, 8910, 8910i, 6600, N-Gage™
- Philips® Fisio® 820, 825
- Ericsson® T39m, T68m

### Contenu de l'emballage

- Casque d'écoute Sans Fil *Bluetooth*
- Chargeur de bureau
- Oreillette moulable SoftHold™ avec trois écouteurs interchangeables
- Bloc d'alimentation 5 VCC, 300 mA
- Manuel de l'utilisateur
- Carte d'enregistrement

## Introduction

### Spécifications

Modèle :	F8T061
Compatibilité <i>Bluetooth</i> :	Version 1.1
Fréquence en utilisation :	2.4 à 2.4835 GHz
Étalement du spectre	FHSS (Frequency Hopping Spread Spectrum - Étalement du Spectre à Saut de Fréquence)
Modulation :	GFSK (Gaussian Frequency Shift Keying)
Sortie RF :	0 dBm, Classe 2
Sensibilité :	< 0.1% BER à -81 dBm
Stabilité de fréquence :	+/- 10PPM
Portée de fonctionnement :	10 m (33 pi.)*
Design :	Se porte à gauche comme à droite
Batterie :	Batterie au lithium polymère rechargeable

## Introduction

Antenne:	Intégrée, 0 +/- adbi
Témoins :	Alimentation/Pairing
Chargeur :	5.0V CC, 300mA
Consommation électrique :	TX: 150 mA, Rx 80 mA
Dimensions :	64 mm (L) x 22 mm (l) x 8 mm (h)
Poids :	0.8oz.

\* La portée de 10 m dépend de l'environnement, du nombre d'utilisateurs connectés, et de la présence d'autres dispositifs sans fil à proximité.

Ces spécifications sont sujettes à modification sans préavis.

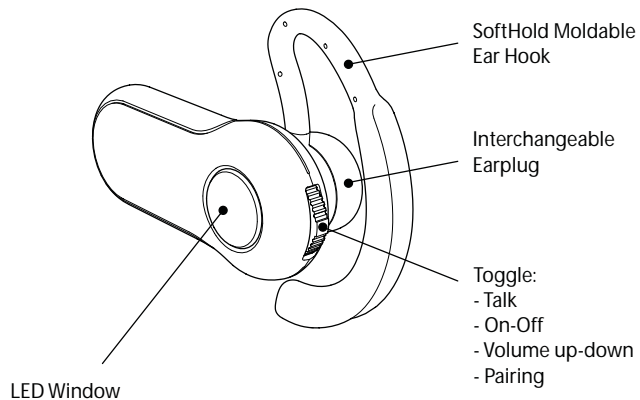
## Introduction

### Profils pris en charge

Les services pris en charge par votre Casque d'écoute sont définis en tant que « Profils ». Parmi les profils disponibles :

- Mains libres
- Casque d'écoute

## Présentation de votre Casque d'écoute Sans Fil



6

## Présentation de votre Casque d'écoute Sans Fil

### Témoins d'état

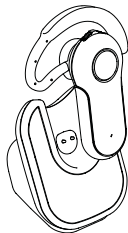
Témoin	État
bleu 5 clignotements rapides	Le Casque est mis en marche
rouge 5 clignotements rapides	Fermeture du Casque
Clignotement bleu/rouge continu	Casque en mode de pairing.
Bleu clignotant toutes les 3 secondes	Pairing réussi mais Casque inactif
Bleu clignotant rapide toutes les 3 secondes	Pairing réussi et Casque inactif

1  
2  
3  
4  
5  
section

7

## Avant de commencer

**Avertissement** : Le Casque d'écoute Sans Fil *Bluetooth* et son chargeur possèdent tous deux des aimants, ce qui leur permet de s'emboîter l'un avec l'autre. Assurez-vous de conserver ces aimants à au moins 60 cm de vos disques durs ou tout autre support de stockage magnétique, vos moniteurs, vos téléviseurs, vos magnétoscopes, vos caméscopes, vos films de caméra, vos cartes de crédit, etc.



### Pour *Bluetooth* Téléphones équipés de la technologie

Le Casque d'écoute Sans Fil *Bluetooth* est compatible avec tous les téléphones équipés de la technologie *Bluetooth* version 1.1. Vérifiez la compatibilité de votre téléphone en page 2, ou vérifiez auprès de son fabricant afin de vous assurer de sa compatibilité *Bluetooth*.

## Avant de commencer

### Charger votre Casque d'écoute

Votre Casque d'écoute Sans Fil *Bluetooth* est livré avec une batterie au lithium polymère rechargeable, et doit être chargé avant l'utilisation.

1. Branchez une extrémité du bloc d'alimentation dans le chargeur de bureau, et l'autre extrémité dans une prise secteur 230 V CA.
2. Insérez le Casque dans le chargeur. Le témoin rouge indiquant le chargement s'allume.
3. Chargez le Casque pendant au moins deux heures, ou jusqu'à ce que le témoin de chargement s'éteigne.

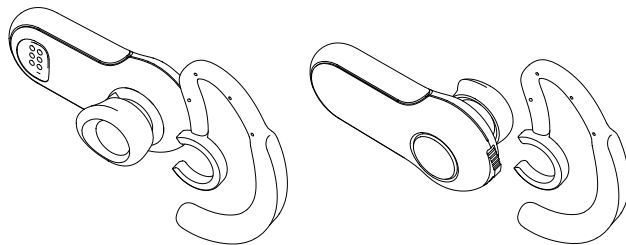
**Remarque** : Le témoin de chargement s'allume lorsque le Casque est en cours de chargement et s'éteint lorsque le chargement est terminé.



## Avant de commencer

### Ajustement de l'oreillette

L'oreillette SoftHold a été conçue afin de permettre le port du casque sur l'oreille gauche comme sur l'oreille droite. Vous pouvez modifier la position de l'oreillette simplement en retournant l'oreillette et en l'insérant dans son emplacement, comme démontré ci-dessous.

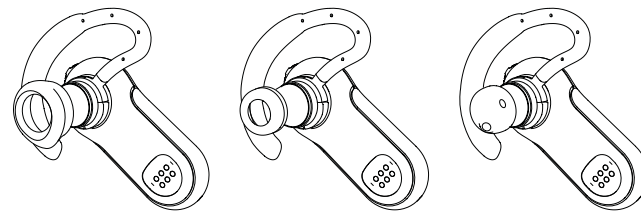


10

## Avant de commencer

### Changement des écouteurs

Le Casque est livré avec trois écouteurs interchangeables conçus pour convenir à la majorité des utilisateurs. Choisissez l'écouteur qui vous semble le plus confortable.



11

section

1

2

3

4

5

## Pairing (association) avec *Bluetooth* un téléphone Bluetooth

### Instructions de pairing pour les principaux téléphones équipés de la technologie Bluetooth

Pour des instructions spécifiques de pairing pour votre téléphone, repérez votre modèle dans la liste ci-dessous et consultez son manuel de l'utilisateur.

**Remarque :** Pour des raisons de sécurité, le Casque demeure en mode de pairing pendant 60 secondes. Si le processus n'est pas complété en moins de 60 secondes, vous devrez recommencer la procédure.

## Pairing (association) avec *Bluetooth* un téléphone Bluetooth

### Processus de pairing pour Nokia 6310 et 6310i

1. Assurez-vous que le Casque est fermé.
2. Appuyez et maintenez enfoncé le bouton de conversation. Après environ huit secondes, le témoin bleu clignotera cinq fois, indiquant que le Casque est en marche. Ne relâchez pas le bouton avant que les témoins bleu et rouge ne clignotent en alternance. Ceci indique que le Casque est en mode de pairing.
3. Sélectionner « Menu » et allez ensuite à « *Bluetooth* ».
4. Assurez-vous que la fonction *Bluetooth* est activée (ON).
5. Défilez vers le bas pour « Search for Audio Accessories [Rechercher Accessoires Audio] ».
6. Votre téléphone trouvera le Casque Belkin et l'inscrira dans la liste des « Found Devices [Périphériques trouvés] ».

## Pairing (association) avec *Bluetooth* un téléphone Bluetooth

---

7. Sélectionnez « Belkin Headset [Casque Belkin] » pour débuter le pairing.
8. Entrez la clé ou NIP « 0000 » (4 zéros). Vous verrez les témoins bleu et rouge clignoter pour ensuite voir seulement le témoin bleu clignoter toutes les trois secondes.
9. Votre Casque est maintenant prêt à l'emploi.

## Pairing (association) avec *Bluetooth* un téléphone Bluetooth

---

### Processus de pairing pour Nokia 3650 et N-Gage

1. Assurez-vous que le Casque est fermé.
2. Appuyez et maintenez enfoncé le bouton de conversation. Après environ huit secondes, le témoin bleu clignotera cinq fois, indiquant que le Casque est en marche. Ne relâchez pas le bouton avant que les témoins bleu et rouge ne clignotent en alternance. Ceci indique que le Casque est en mode de pairing.
3. Sélectionner « Menu » et allez ensuite à « Tools [Outils] ».
4. Sélectionnez « *Bluetooth* ».
5. Assurez-vous que la fonction *Bluetooth* est activée (ON).
6. Défilez vers l'onglet « Paired Devices [Périphériques associés] » et choisissez « Options ».
7. Sous « Options » sélectionnez « New Paired Devices [Périphérique nouvellement associé] ».

## Pairing (association) avec *Bluetooth* un téléphone Bluetooth

8. Votre téléphone recherchera et trouvera le « Belkin Headset [Casque Belkin] ».
9. Sélectionnez « Belkin Headset [Casque Belkin] » pour débiter le pairing.
10. Entrez la clé ou NIP « 0000 » (4 zéros). Vous verrez les témoins bleu et rouge clignoter pour ensuite voir seulement le témoin bleu clignoter toutes les trois secondes.
11. Quittez le menu.
12. Sur votre Casque, lancez la connexion vers votre téléphone en appuyant une fois sur le bouton de conversation. Après quelques secondes, vous recevrez un message sur votre téléphone vous demandant d'accepter la connexion du Casque *Bluetooth*.
13. Votre Casque est maintenant prêt à l'emploi.

## Pairing (association) avec *Bluetooth* un téléphone Bluetooth

### Processus de pairing pour Sony Ericsson T68i

1. Assurez-vous que le Casque est fermé.
2. Appuyez et maintenez enfoncé le bouton de conversation. Après environ huit secondes, le témoin bleu clignotera cinq fois, indiquant que le Casque est en marche. Ne relâchez pas le bouton avant que les témoins bleu et rouge clignotent en alternance. Ceci indique que le Casque est en mode de pairing.
3. Allez à l'écran du menu de votre T681i.
4. Sélectionnez l'icône « Connect [Connexion] », et sélectionnez ensuite « *Bluetooth* ».
5. Allez à « Paired Devices [Périphériques associés] » et « Add a Device [Ajoutez un périphérique] ».
6. Sélectionnez « Phone Initiates [Par le téléphone] ».

## Pairing (association) avec *Bluetooth* un téléphone Bluetooth

7. Sélectionnez « Hands-Free [Mains libres] » (assurez-vous que les témoins bleu/rouge du Casque clignotent).
8. Votre téléphone trouvera le Casque Belkin et l'inscrira dans la liste des « Foud Devices [Périphériques trouvés] ».
9. Sélectionnez « Belkin Headset [Casque Belkin] » pour débiter le pairing.
10. Entrez la clé ou NIP « 0000 » (4 zéros). Vous verrez les témoins bleu et rouge clignoter pour ensuite voir seulement le témoin bleu clignoter toutes les trois secondes.
11. Votre Casque est maintenant prêt à l'emploi.

## Pairing (association) avec *Bluetooth* un téléphone Bluetooth

### Processus de pairing pour Sony Ericsson T610, T616, T618

1. Assurez-vous que le Casque est fermé.
2. Appuyez et maintenez enfoncé le bouton de conversation. Après environ huit secondes, le témoin bleu clignotera cinq fois, indiquant que le Casque est en marche. Ne relâchez pas le bouton avant que les témoins bleu et rouge ne clignotent en alternance. Ceci indique que le Casque est en mode de pairing.
3. Allez à l'écran du menu de votre T610.
4. Sélectionnez l'icône « Connect [Connexion] », et sélectionnez ensuite « *Bluetooth* ».
5. Sélectionnez « Hands-free devices [Périphériques Mains-libres] ».

## Pairing (association) avec *Bluetooth* un téléphone Bluetooth

6. Sélectionnez « My Hands-free [Mon Mains-libres] » et « Add a new hands-free device [Ajouter un nouveau périphérique mains-libres] ».
7. Votre téléphone trouvera le Casque Belkin et l'inscrire dans la liste des « Found Devices [Périphériques trouvés] ».
8. Sélectionnez « Belkin Headset [Casque Belkin] » pour débiter le pairing.
9. Entrez la clé ou NIP « 0000 » (4 zéros). Vous verrez les témoins bleu et rouge clignoter pour ensuite voir seulement le témoin bleu clignoter toutes les trois secondes.
10. Votre Casque est maintenant prêt à l'emploi.

## Pairing (association) avec *Bluetooth* un téléphone Bluetooth

### Processus de pairing pour Sony Ericsson P800

1. Assurez-vous que le Casque est fermé.
2. Appuyez et maintenez enfoncé le bouton de conversation. Après environ huit secondes, le témoin bleu clignotera cinq fois, indiquant que le Casque est en marche. Ne relâchez pas le bouton avant que les témoins bleu et rouge clignotent en alternance. Ceci indique que le Casque est en mode de pairing.
3. À l'écran de sélection de l'application, sélectionnez « Control Panel [Panneau de configuration] ».
4. Sélectionnez l'onglet « Connections [Connexions] », sélectionnez ensuite « *Bluetooth* » à partir de la liste.
5. Sélectionnez l'onglet « Settings [Paramètres] » et déroulez le menu « Operation Mode [Mode de fonctionnement] ».

## Pairing (association) avec *Bluetooth* un téléphone Bluetooth

6. Sélectionnez « Auto », et sélectionnez ensuite le bouton « Add [Ajouter] ».
7. Ensuite, le P800 détectera tous les périphériques *Bluetooth* pouvant être détectés et situés à proximité.
8. Une fois que le P800 a détecté votre « Belkin Headset [Casque Belkin] », sélectionnez-le. Entrez ensuite la clé (« 0000 » et sélectionnez « Done [Terminé] ».
9. Vous avez réussi le pairing de votre Casque d'écoute Sans Fil *Bluetooth* avec votre téléphone P800.
10. Sélectionnez le bouton « Done [Terminé] » pour retourner au panneau de contrôle.

## Pairing (association) avec *Bluetooth* un téléphone Bluetooth

### Utilisation du Casque

#### Mettre le casque en mode marche/arrêt

Pour mettre votre Casque en marche, retirez-le du chargeur, appuyez et maintenez enfoncé le bouton de conversation jusqu'à ce que le témoin bleu clignote cinq fois. Le témoin bleu clignotera à toutes les trois secondes lorsque le Casque est en marche.

Pour fermer le Casque, appuyez et maintenez enfoncé le bouton de conversation jusqu'à ce que le témoin rouge clignote cinq fois.

#### Ajustement du casque

Choisissez l'oreille sur laquelle vous désirez porter le Casque. Utilisez votre main pour glisser l'oreillette au-dessus et derrière l'oreille dans un mouvement circulaire. Ajustez l'oreillette en la moulant au contour de votre oreille.

## Pairing (association) avec *Bluetooth* un téléphone Bluetooth

---

### Réception d'un appel

Pour prendre un appel, attendez que votre Casque sonne, et appuyez ensuite sur le bouton de conversation pour prendre l'appel.

### Terminer un appel

Pour terminer un appel, appuyez sur le bouton de conversation en tout temps.

### Placer un appel

Pour placer un appel, composez le numéro sur votre téléphone portable.

### Numérotation vocale

Si votre téléphone permet la numérotation par commande vocale, appuyez sur le bouton de conversation pour l'amorcer via votre Casque.

## Pairing (association) avec *Bluetooth* un téléphone Bluetooth

---

### Contrôle du volume

Pour l'oreille droite :

Pour augmenter le volume, poussez le bouton vers le haut.

Pour diminuer le volume, poussez le bouton vers le bas.

Pour l'oreille gauche :

Pour augmenter le volume, poussez le bouton vers le bas.

Pour diminuer le volume, poussez le bouton vers le haut.



## Information

### Avis de réglementation

Pour identifier ce produit, consultez la référence et le numéro du modèle figurant sur l'étiquette. Pour une assistance technique et tout problème lié à la réglementation, contactez Belkin au **00 800 223 55 460**.

### Avertissements de la Commission Fédérale des Communications (FCC)

L'appareil a été testé et satisfait aux limites de la classe B des appareils numériques, conformément à la partie 15 de la réglementation de la FCC. Ces limites sont conçues de manière à assurer une protection raisonnable contre les interférences nuisibles au sein d'une installation domestique. L'appareil génère, utilise et peut irradier une énergie radio

## Information

fréquence. S'il n'est pas installé et utilisé conformément aux instructions, il peut causer des interférences nuisibles sur le plan de la réception radio ou télévision. Toutefois, nous ne pouvons garantir qu'aucune interférence ne surviendra dans une installation particulière. Si cet équipement cause des interférences nuisibles sur le plan de la réception radio ou télévision, pouvant être déterminées en mettant l'appareil sous et hors tension, l'utilisateur est invité à tester et à corriger l'interférence en prenant une des mesures suivantes :

- Augmenter la distance entre l'appareil et le récepteur.
- Connecter l'appareil à une prise située sur un circuit différent de celui sur lequel le récepteur est connecté.
- Consulter le revendeur ou un technicien en radio/TV pour obtenir de l'aide.

## Information

Nous, Belkin Components, sis au 501 West Walnut Street , Compton CA, 90220, États-Unis, déclarons sous notre seule responsabilité que le produit

F8T061

auquel se réfère la présente déclaration, est conforme aux normes énoncées à l'alinéa 15 de la réglementation de la FCC. Le fonctionnement est assujéti aux deux conditions suivantes : (1) cet appareil ne peut pas provoquer d'interférence nuisible et (2) cet appareil doit accepter toute interférence reçue, y compris des interférences pouvant entraîner un fonctionnement non désiré.

## Modifications

La réglementation FCC souligne la nécessité d'indiquer à l'utilisateur que toute modification, de quelque nature que ce soit et non agréée par Belkin Components, lui retire le droit d'utiliser l'appareil.

## Information

### Canada-Industry Canada (IC)

La radio sans fil de cet appareil est conforme aux normes RSS 139 & RSS 210 d'Industrie Canada. This Class B digital complies with Canadian ICES-003.

### Europe - Prescription Union Européenne

Par la présente, Belkin Corporation déclare que ce Casque d'écoute Sans Fil *Bluetooth* satisfait aux exigences essentielles et autres conditions de la Directive 1999/5/EC.



## Information

Les produits portant le label CE satisfont à la directive relative à la compatibilité électromagnétique (89/336/EEC) et la directive sur la basse tension (72/23/EEC) publiées par la Commission de la Communauté européenne. L'accord avec cette directive implique la conformité aux normes européennes suivantes (le standard international équivalent est indiqué entre parenthèses).

- EN 60950 (IEC60950) — Sécurité des produits
- EN 300 328 - Conditions techniques exigées pour les appareils radio
- ETS 301 489-17 - Conditions générales en matière de compatibilité électromagnétique pour les appareils radio.

Ce produit peut être utilisé dans tous les pays membres de l'UE et de AELE.

## Information

### Avis sur l'utilisation sans fil

Dans certaines situations ou environnements, l'utilisation d'un appareil sans fil peut être restreinte. Ces restrictions peuvent s'appliquer aux avions, aux hôpitaux, près d'explosifs, dans des endroits dangereux, etc. Si vous êtes incertain de la politique s'appliquant à l'utilisation de cet appareil, veuillez demander l'autorisation avant l'utilisation.

1

2

3

4

5

section

# BELKIN®

Casque d'écoute  
Sans Fil Bluetooth™

# BELKIN®

Bluetooth™  
Freisprech-Headset



belkin.com

#### Belkin Corporation

5501 West Walnut Street  
Compton • CA • 90220-5221 • États-Unis  
Tel: +1 310 898 1100  
Fax: +1 310 898 1111

#### Belkin Ltd.

Express Business Park • Shipton Way  
Rushden • NN10 6GL • Royaume-Uni  
Tel: +44 (0) 1933 35 2000  
Fax: +44 (0) 1933 31 2000

#### Belkin B.V.

Boeing Avenue 333  
1119 PH Schiphol-Rijk • Pays-Bas  
Tel: +31 (0) 20 654 7300  
Fax: +31 (0) 20 654 7349

#### Assistance technique Belkin

Europe: 00 800 223 55 460  
US: 877 736 5771

© 2004 Belkin Corporation. Tous droits réservés. Toutes les marques de commerce sont des marques déposées de leurs fabricants respectifs. Le nom *Bluetooth* et les marques de commerce *Bluetooth* sont la propriété de *Bluetooth SIG, Inc.* et sont utilisés sous licence par Belkin Corporation.

#### Belkin GmbH

Hanebergstrasse 2  
80637 München • Allemagne  
Tel: +49 (0) 89 143405 0  
Fax: +49 (0) 89 143405 100

#### Belkin Components SAS

5 Rue du Petit Robinson • 3ème étage  
78350 Jouy en Josas • France  
Tel: +33 (0) 1 34 58 14 00  
Fax: +33 (0) 1 39 46 62 89

#### Belkin Ltd

7 Bowen Crescent • West Gosford  
NSW 2250 • Australie  
Tel: +61 (0) 2 4372 8600  
Fax: +61 (0) 2 4372 8603

P74500



De

 **Bluetooth™**

F8T061

## Inhaltsverzeichnis

<b>1 Einleitung</b> .....	1
Technische Daten .....	1
Systemanforderungen .....	2
Technische Daten .....	3
Unterstützte Profile .....	5
2 Lernen Sie Ihr Freisprech-Headset kennen .....	6
3 Vorbereitung .....	8
4 „Pairing“ mit einem Handy mit <i>Bluetooth</i> -Technologie .....	12
5 Informationen .....	26

## Einführung

Vielen Dank für Ihren Kauf des *Bluetooth* Freisprech-Headsets von Belkin. Das *Bluetooth* Headset von Belkin ist ein Durchbruch in der kabellosen *Bluetooth* Technologie, mit dem Sie effizient kommunizieren können, wenn Ihr Handy über *Bluetooth* Technologie verfügt. Bitte schauen Sie sich diese Gebrauchsanweisung gut an, so dass Sie Ihr Produkt optimal nutzen können.

### Technische Daten

Das *Bluetooth* Freisprech-Headset ist kompatibel mit *Bluetooth* Standard Version 1.1 und bietet Ihnen Folgendes:

- Unterstützung für das Headset und das Freisprech-Profil
- Kompatibilität mit Handys, die mit *Bluetooth* Technologie ausgestattet sind
- Eine formbare Ohrhalterung für die richtige Passform mit SoftHold™ Technologie
- Eingebaute Sicherheit: Codierung mit bis zu 128 Bit und Authentifizierung

## Einführung

### Systemanforderungen

Kompatibel mit allen Handys, die mit *Bluetooth* v1.1, ausgestattet sind, inkl., aber nicht ausschließlich:

- Sony Ericsson® T610, T616, T618, T68i, P800
- Nokia® 3650, 3600, 6310, 6310i, 8910, 8910i, 6600, N-Gage™
- Philips® Fisio® 820, 825
- Ericsson® T39m, T68m

### Packungsinhalt

- *Bluetooth* Freisprech-Headset
- Desktop-Ladegerät
- SoftHold formbare Ohrhalterung mit 3 austauschbaren Ohrstöpseln.
- Netzteil (5V-Gleichstrom, 300mA)
- Benutzerhandbuch
- Registrierungskarte

## Einführung

### Spezifikationen

Modell:	F8T061
<i>Bluetooth</i> Kompatibilität:	Version 1.1
Betriebsfrequenz:	2.4 zu 2.4835GHz
Spread Spectrum:	FHSS (Frequenzsprung Spread Spectrum)
Modulation:	GFSK (Gaussian Frequenz Frequenzumtastung)
Radiofrequenzleistung:	0 dBm, Klasse 2
Empfindlichkeit:	< 0.1% BER bei -81 dBm
Frequenzstabilität:	+/- 10PPM
Reichweite:	10 m*
Design:	Linkes und rechtes Ohr
Batterie:	Wiederaufladbare Lithium

## Einführung

Polymer Antenne:	integriert, 0 +/- adbi
LED-Anzeige:	Stromversorgung/„Pairing“
Ladegerät:	5.0V Gleichspannung, 300mA
Durchschnittlicher Stromverbrauch:	TX: 150mA, Rx 80mA
Abmessungen:	64mm (L) x 22mm (B) x 8mm (H)
Gewicht:	0.8oz.

\*bis zu 10 m Reichweite je nach Umgebung, Anzahl der Benutzer und anderen kabellosen Geräten in unmittelbarer Nähe

Unangekündigte technische Änderungen jederzeit vorbehalten.

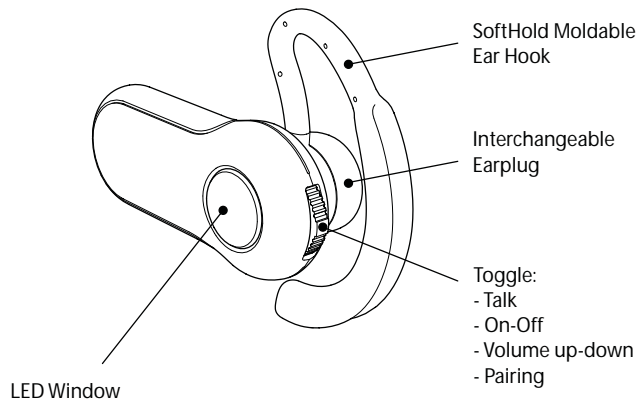
## Einführung

### Unterstützte Profile

Die Leistungen, die Ihr Headset unterstützen, sind als "Profile" definiert. Es stehen folgende Profile zur Verfügung:

- Hands-Free (Freisprech)
- Headset

## Lernen Sie Ihr Freisprech-Headset kennen



6

## Lernen Sie Ihr Freisprech-Headset kennen

### Status-Anzeige

LED-Anzeige	Status
5-maliges schnelles Blinken (blau)	Headset wird eingeschaltet
5-maliges schnelles Blinken (rot)	Headset wird ausgeschaltet
Andauerndes Blinken (blau/rot)	Headset befindet sich im „Pairing“-Modus
Blinken alle 3 Sekunden (blau)	Headset ist gekoppelt („paired“) aber nicht aktiv
3-maliges Blinken (blau), alle 3 Sekunden	Headset ist gekoppelt („paired“) und aktiv

7

1

2

3

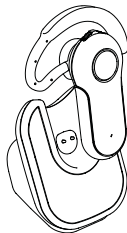
4

5



## Vorbereitung:

Warnung: Das *Bluetooth* Freisprech-Headset und das Ladegerät verfügen über Magnete, mit denen sie einander anziehen können. Halten sie Magnete auf minimal 60 cm Abstand von Computerfestplatten und anderen magnetischen Speichermedien, Monitoren, Fernsehern, Videorecordern, Videobändern, Kameras, Filmen, Kreditkarten, etc.



## Für Handys mit Bluetooth-Technologie

Das *Bluetooth* Freisprech-Headset ist kompatibel mit *Bluetooth* Handys (Version 1.1 Handys). Kontrollieren Sie Ihre Handykompatibilität auf Seite 2 oder nehmen Sie Kontakt auf mit Ihrem Handyhersteller, um sicherzugehen, dass es *Bluetooth*-kompatibel ist.

## Vorbereitung:

### Laden Sie Ihr Gerät auf.

Ihr *Bluetooth* Freisprech-Headset verfügt über eine wiederaufladbare Lithium Polymer Batterie und muss vor Gebrauch aufgeladen werden.

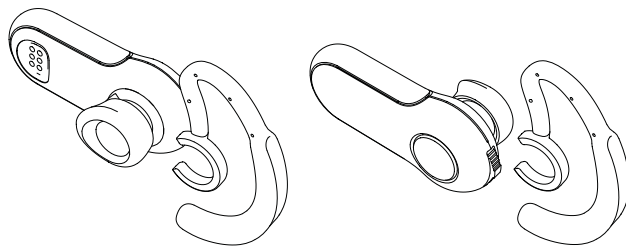
1. Schließen Sie ein Ende des Netzteils am Desktop-Ladegerät an und das andere an einer 230V-Steckdose.
2. Schließen Sie das Headset am Desktop-Ladegerät an. Die Aufladeanzeige leuchtet rot auf.
3. Laden Sie das Headset ungefähr zwei Stunden auf oder so lange, bis die rote Aufladeanzeige ausgeht.

**Hinweis:** Während des Aufladens des Headsets leuchtet die rote Aufladeanzeige. Wenn der Ladevorgang abgeschlossen ist, geht sie aus.

## Vorbereitung:

### Passen Sie den Ohrhörer an

Der SoftHold-Ohrhörer ist so entworfen, dass er sowohl auf dem linken als auch auf dem rechten Ohr gut sitzt. Sie können die Position des Ohrhörers einfach ändern, indem Sie ihn, wie unten beschrieben, drehen und in der richtigen Position einrasten lassen.

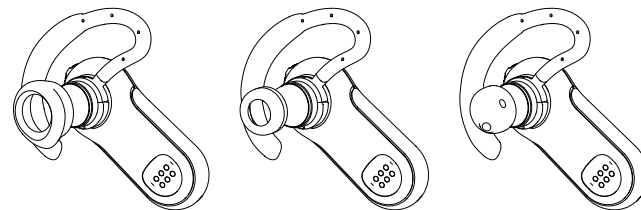


10

## Vorbereitung:

### Austausch der Ohrstöpsel

Das Headset hat drei austauschbare Ohrstöpsel, die so entworfen sind, dass sie für die meisten Ohrtypen geeignet sind. Wählen Sie den Ohrstöpsel, der bei Ihnen am angenehmsten sitzt.



11

1

2

3

4

5

## „Pairing“ mit einem Handy mit Bluetooth-Technologie

### Anleitung zum „Pairing“ von gängigen Handys mit Bluetooth-Technologie

Für eine genaue Anleitung zum „Pairing“ Ihres Handys suchen Sie unten Ihr Modell oder schauen Sie in der Gebrauchsanleitung Ihres Handy nach.

**Hinweis:** Aus Sicherheitsgründen bleibt das Headset 60 Sekunden im „Pairing“-Modus. Wenn der „Pairing“-Vorgang nicht in 60 Sekunden abgeschlossen ist, müssen Sie ihn komplett wiederholen.

## „Pairing“ mit einem Handy mit Bluetooth-Technologie

### „Pairing“-Vorgang für Nokia 6310 und 6310i

1. Vergewissern Sie sich, dass Ihr Headset ausgeschaltet ist.
2. Drücken Sie die Gesprächstaste und halten sie sie eingedrückt. Nach ungefähr acht Sekunden blinkt das blaue Lämpchen fünfmal und zeigt damit an, dass das Headset eingeschaltet ist. Lassen Sie die Taste nicht los, bevor Sie ein abwechselnd blau und rot leuchtendes Lichtsignal sehen. Dies zeigt Ihnen an, dass sich das Headset im „Pairing“-Modus befindet.
3. Wählen Sie „Menu“ und gehen Sie dann zu *Bluetooth*.
4. Vergewissern Sie sich, dass die *Bluetooth* Funktion eingeschaltet ist.
5. Gehen Sie weiter zu „Search for Audio Accessories“.
6. Ihr Handy wird das Belkin-Headset finden und es unter „Found Devices“ aufführen.

## „Pairing“ mit einem Handy mit Bluetooth-Technologie

7. Wählen Sie „Belkin-Headset“, um das „Pairing“ zu veranlassen.
8. Geben Sie den „Passkey“ (die Kennfolge) oder „0000“ (4 Nullen) ein. Sie sollten dann sehen, dass die LED-Leuchten nicht mehr rot und blau aufleuchten, sondern alle drei Sekunden blau.
9. Ihr Headset ist jetzt betriebsbereit.

## „Pairing“ mit einem Handy, mit Bluetooth-Technologie

### „Pairing“-Vorgang für Nokia 3650 und N-Gage

1. Vergewissern Sie sich, dass Ihr Headset ausgeschaltet ist.
2. Drücken Sie Gesprächstaste und halten sie sie eingedrückt. Nach ungefähr acht Sekunden blinkt das blaue Lämpchen fünfmal und zeigt damit an, dass das Headset eingeschaltet ist. Lassen Sie die Taste nicht los, bevor Sie ein abwechselnd blau und rot leuchtendes Lichtsignal sehen. Dies zeigt Ihnen an, dass sich das Headset im „Pairing“-Modus befindet.
3. Wählen Sie „Menu“ und gehen Sie dann zum „Bluetooth“-Ordner.
4. Wählen Sie „Bluetooth“.
5. Vergewissern Sie sich, dass die *Bluetooth* Funktion eingeschaltet ist.
6. Gehen Sie zu „Paired Devices“ und wählen Sie „Options“.
7. Wählen Sie „New Paired Devices“ unter „Options“.

## „Pairing“ mit einem Handy, mit Bluetooth-Technologie

8. Ihr Handy wird das „Belkin Headset“ suchen und finden.
9. Wählen Sie „Belkin Headset“, um das „Pairing“ zu veranlassen.
10. Geben Sie den „Passkey“ (die Kennfolge) oder „0000“ (4 Nullen) ein. Sie sollten dann sehen, dass die LED-Leuchten nicht mehr rot und blau leuchten, sondern alle drei Sekunden blau aufleuchten.
11. Verlassen Sie das Menü.
12. Sie können mit Ihrem Headset eine Verbindung mit Ihrem Handy machen, indem Sie einmal auf den Gesprächsknopf drücken. Nach ein paar Sekunden werden Sie auf Ihrem Handy gebeten, eine Verbindung mit dem *Bluetooth* Headset anzunehmen.
13. Ihr Headset ist jetzt betriebsbereit.

## „Pairing“ mit einem Handy, mit Bluetooth-Technologie

### „Pairing“-Vorgang für Sony Ericsson T68i

1. Vergewissern Sie sich, dass Ihr Headset ausgeschaltet ist.
2. Drücken Sie die Gesprächstaste und halten sie sie eingedrückt. Nach ungefähr acht Sekunden blinkt das blaue Lämpchen fünfmal auf und zeigt damit an, dass das Headset eingeschaltet ist. Lassen Sie die Taste nicht los, bevor Sie ein abwechselnd blau und rot leuchtendes Lichtsignal sehen. Dies zeigt Ihnen an, dass sich das Headset im „Pairing“-Modus befindet.
3. Gehen Sie zum Menübildschirm für Ihren T68i.
4. Wählen Sie das Symbol „Connect“ und danach „*Bluetooth*“.
5. Gehen Sie weiter zu „Paired Devices“ und „Add a Device“.
6. Wählen Sie „Phone Initiates“.
7. Wählen sie „Hands-Free“ (vergewissern Sie sich, dass Ihr Headset blau und rot aufleuchtet).

## „Pairing“ mit einem Handy, mit Bluetooth-Technologie

- Ihr Handy wird das Belkin Headset finden und unter „Found Devices“ aufführen.
- Wählen Sie „Belkin Headset“, um das „Pairing“ zu veranlassen.
- Geben Sie den „Passkey“ (die Kennfolge) oder „0000“ (4 Nullen) ein. Sie sollten dann sehen, dass die LED-Leuchten nicht mehr rot und blau leuchten, sondern alle drei Sekunden blau aufleuchten.
- Ihr Headset ist jetzt betriebsbereit.

## „Pairing“ mit einem Handy, mit Bluetooth-Technologie

### „Pairing“-Vorgang für Sony Ericsson T610, T616, T618

- Vergewissern Sie sich, dass Ihr Headset ausgeschaltet ist.
- Drücken Sie die Gesprächstaste und halten sie sie eingedrückt. Nach ungefähr acht Sekunden blinkt das blaue Lämpchen fünfmal und zeigt damit an, dass das Headset eingeschaltet ist. Lassen Sie die Taste nicht los, bevor Sie ein abwechselnd blau und rot leuchtendes Lichtsignal sehen. Dies zeigt Ihnen an, dass sich das Headset im „Pairing“-Modus befindet.
- Gehen Sie zum Menübildschirm für Ihren T610.
- Wählen Sie das Symbol „Connect“ und danach *„Bluetooth“*.
- Wählen Sie „Hands-free Devices“
- Wählen Sie „My Hands-free“ und „Add a new hands-free device“.
- Ihr Handy wird das „Belkin Headset“ finden und es unter „Found Devices“ aufführen.

## „Pairing“ mit einem Handy mit Bluetooth-Technologie

8. Wählen Sie „Belkin Headset“, um den „Pairing“-Vorgang zu veranlassen.
9. Geben Sie den „Passkey“ (die Kennfolge) oder „0000“ (4 Nullen) ein. Sie sollten dann sehen, dass die LED-Leuchten nicht mehr rot und blau leuchten, sondern alle drei Sekunden blau aufleuchten.
10. Ihr Headset ist jetzt betriebsbereit.

## „Pairing“ mit einem Handy mit Bluetooth-Technologie

### „Pairing“-Vorgang für Sony Ericsson P800

1. Vergewissern Sie sich, dass Ihr Headset ausgeschaltet ist.
2. Drücken Sie die Gesprächstaste und halten sie sie eingedrückt. Nach ungefähr acht Sekunden blinkt das blaue Lämpchen fünfmal auf und zeigt damit an, dass das Headset eingeschaltet ist. Lassen Sie die Taste nicht los, bevor Sie ein abwechselnd blau und rot leuchtendes Lichtsignal sehen. Dies zeigt Ihnen an, dass sich das Headset im „Pairing“-Modus befindet.
3. Wählen Sie auf dem Anwendungsbildschirm „Control Panel“.
4. Wählen sie das „Connections“, und danach „Bluetooth“ auf der Liste.
5. Wählen Sie „Settings“, um zum „Operation Mode“-Dropdown-Menü zu kommen.

## „Pairing“ mit einem Handy mit Bluetooth-Technologie

6. Wählen Sie „Auto“, danach die „Add“-Taste.
7. Wenn Sie das gemacht haben, wird P800 alle möglichen *Bluetooth* Geräte in seiner Reichweite entdecken.
8. Wenn Ihr P800 Ihr „Belkin Headset“ erkannt hat, wählen Sie dieses aus. Wenn Sie nach dem „Passkey“ (der Kennfolge) gefragt werden, geben Sie „0000“ ein und wählen Sie „Done“.
9. Sie haben jetzt den „Pairing“-Vorgang mit Ihrem *Bluetooth* Freisprech-Headset mit Ihrem P800 Handy abgeschlossen.
10. Sie können den „Done“- Knopf drücken, um zurück zur Systemsteuerung zu kommen.

## „Pairing“ mit einem Handy mit Bluetooth-Technologie

### Benutzung Ihres Headsets

#### Ein- und Ausschalten Ihres Headsets

Um Ihr Headset einzuschalten, entfernen Sie Ihr Headset vom Desktop-Aufladegerät. Drücken Sie dann den Gesprächsknopf und halten Sie ihn eingedrückt, bis die LED-Anzeige fünfmal blau aufleuchtet. Die LED-Anzeige wird alle drei Sekunden blau aufleuchten, wenn das Headset eingeschaltet ist.

Um Ihr Headset auszuschalten, drücken Sie den Gesprächsknopf und halten ihn eingedrückt, bis die LED-Anzeige fünfmal rot aufleuchtet.

#### Anpassen des Headsets

Entscheiden Sie sich, an welcher Seite Ihres Kopfes Sie Ihr Headset tragen wollen und benutzen Sie Ihre Hand an dieser Seite, um die Ohrhalterung vorsichtig, in einer kreisförmigen Bewegung über und um Ihr Ohr zu schieben. Passen Sie Ihre Ohrhalterung an Ihrem Ohr an, indem Sie sie Ihrer Ohrform entsprechend andrücken.



## „Pairing“ mit einem Handy mit Bluetooth-Technologie

### Annahme eines Gespräches

Wenn Sie ein Gespräch annehmen wollen, warten Sie, bis Ihr Headset klingelt, drücken Sie dann den Gesprächsknopf einmal.

### Beendung eines Gespräches

Um ein Gespräch zu beenden, drücken Sie den Gesprächsknopf zum entsprechenden Zeitpunkt des Gespräches.

### Anrufen

Um anzurufen, wählen Sie mit Ihrem Handy.

### Sprachgesteuerte Nummernwahl

Wenn Ihr Handy über eine sprachgesteuerte Nummernwahl verfügt, drücken Sie den Gesprächsknopf, um diese mit Ihrem Headset zu aktivieren.

## „Pairing“ mit einem Handy mit Bluetooth-Technologie

### Lautstärkeregelung

Benutzung mit dem rechtem Ohr:

Um die Lautstärke Ihres Headsets zu erhöhen, drücken Sie den Schalter nach oben.

Um die Lautstärke Ihres Headsets zu reduzieren, drücken Sie den Schalter nach unten.

Benutzung mit dem linken Ohr:

Um die Lautstärke Ihres Headsets zu erhöhen, drücken Sie den Schalter nach unten.

Um die Lautstärke Ihres Headsets zu reduzieren, drücken Sie den Schalter nach oben.

## Informationen

---

### Rechtliche Hinweise

Um das Produkt zu identifizieren, sehen Sie sich die Teile- oder Modellnummer auf dem Produktschild an. Für den Kundenservice und rechtliche Fragen, nehmen Sie Kontakt auf mit Belkin **00 800 223 55 460**.

### FCC-Erklärung

Dieses Gerät entspricht nachweislich den Grenzwerten für digitale Einrichtungen der Klasse B gemäß Teil 15 der FCC Vorschriften. Diese Grenzwerte dienen dem angemessenen Schutz vor Funkstörungen bei Installation im Wohnbereich. Durch dieses Gerät wird hochfrequente Energie erzeugt, genutzt und unter Umständen abgestrahlt, und es kann daher bei nicht vorschriftsmäßiger Installation und Nutzung Funkstörungen

## Informationen

---

verursachen. Eine Garantie dafür, dass entsprechende Störungen am konkreten Installationsort ausgeschlossen sind kann nicht gegeben werden. Verursacht dieses Gerät Störungen des Radio- oder Fernsehempfangs (was sich durch Ein- und Ausschalten des Gerätes feststellen läßt), so können Sie versuchen, die Störung auf folgende Weise zu beseitigen:

- Vergrößern Sie den Abstand zwischen Gerät und Empfänger.
- Schließen Sie das Gerät an einer Steckdose in einem anderen Stromkreis als dem des Empfängers an.
- Wenden Sie sich an den Händler oder einen erfahrenen Rundfunk- und Fernsehtechniker.

## Informationen

Wir, Belkin Corporation, of 501 West Walnut Street, Compton, CA 90220, erklären hiermit alleinverantwortlich, dass der Artikel,

F8T061

auf den sich die Erklärung bezieht, in Einklang mit Teil 15 der FCC-Vorschriften steht. Der Betrieb unterliegt den beiden folgenden Bedingungen: (1) Dieses Gerät darf keine schädigenden Störungen verursachen und (2) dieses Gerät muss jeder empfangenen Störung widerstehen können, einschließlich der Störungen, die einen unerwünschten Betrieb auslösen können.

### Änderungen und Eingriffe

Gemäß den FCC-Bestimmungen weisen wir darauf hin, dass Änderungen und Eingriffe, die ohne ausdrückliche Genehmigung seitens Belkin erfolgen, zum Erlöschen der Betriebsgenehmigung für dieses Gerät führen können.

28

## Informationen

### IC-Hinweis (Kanada)

Das Funksystem dieses Geräts entspricht den Bestimmungen RSS 139 und RSS 210 von Industry Canada. Dieses digitale Gerät der Klasse B entspricht der kanadischen Norm ICES-003.

### Hinweis für die EU

Hiermit erklärt die Belkin Corporation, dass das *Bluetooth* Freisprech-Headset den wesentlichen Anforderungen und anderen relevanten Bestimmungen der Richtlinie 1999/5/EC entspricht.



29

## Informationen

Produkte mit dem CE Zeichen entsprechen der R&TTE Richtlinie (1999/5/EC), der EMC Richtlinie (89/336/EEC) und der Niederspannungsrichtlinie (73/23/EWG) der EU-Kommission. Aus der Einhaltung dieser Richtlinien geht hervor, dass das Gerät den europäischen Normen entspricht (in Klammern die entsprechenden internationalen Standards und Vorschriften):

- EN 60950 (IEC60950) – Produkt Sicherheit
- ETS 300 328 – Technische Anforderungen für funktechnische Einrichtungen
- EN 301 489-17 – Allgemeine EMC-Anforderungen für funktechnische Einrichtungen

Dieses Produkt darf in allen EU und EFTA-Ländern benutzt werden.

## Informationen

### Hinweise zum Gebrauch von kabellosen Geräten

Unter manchen Umständen und in manchen Umgebungen, kann die Benutzung von kabellosen Geräten eingeschränkt sein. Solche Einschränkungen kann es in Flugzeugen, in Krankenhäusern, in der Nähe von Sprengstoff, in Gefahrenzonen, etc. geben. Wenn Sie unsicher sind, ob diese Vorschriften auf die Benutzung dieses Gerätes zutreffen, fragen Sie bitte um Erlaubnis, bevor Sie Ihr Gerät einschalten.

1

2

3

4

5

Abschnitt

# BELKIN®

## Bluetooth™ Freisprech-Headset

# BELKIN®

## Bluetooth™ Handsfree Headset



belkin.com

### Belkin Corporation

5501 West Walnut Street  
Compton • CA • 90220-5221 • USA  
Tel: +1 310 898 1100  
Fax: +1 310 898 1111

### Belkin Ltd.

Express Business Park • Shipton Way  
Rushden • NN10 6GL • Großbritannien  
Tel: +44 (0) 1933 35 2000  
Fax: +44 (0) 1933 31 2000

### Belkin B.V.

Boeing Avenue 333  
1119 PH Schiphol-Rijk • Niederlande  
Tel: +31 (0) 20 654 7300  
Fax: +31 (0) 20 654 7349

### Belkin Technischer Support

Europe: 00 800 223 55 460  
US: 877 736 5771

© 2004 Belkin Corporation. Alle Rechte vorbehalten. Alle Produktbezeichnungen sind eingetragene Warenzeichen der jeweils angegebenen Hersteller. Die Bezeichnung *Bluetooth* und die *Bluetooth* Warenzeichen sind Eigentum der *Bluetooth* SIG, Inc. Verwendung durch Belkin Corporation unter Lizenz.

### Belkin GmbH

Hanebergstrasse 2  
80637 München • Deutschland  
Tel: +49 (0) 89 143405 0  
Fax: +49 (0) 89 143405 100

### Belkin Components SAS

5 Rue du Petit Robinson • 3ème étage  
78350 Jouy en Josas • Frankreich  
Tel: +33 (0) 1 34 58 14 00  
Fax: +33 (0) 1 39 46 62 89

### Belkin Ltd

7 Bowen Crescent • West Gosford  
NSW 2250 • Australien  
Tel: +61 (0) 2 4372 8600  
Fax: +61 (0) 2 4372 8603

P74500



NI

 **Bluetooth™**

F8T061

## Inhoud

---

<b>1 Inleiding</b> .....	1
Productkenmerken .....	1
Systeemvereisten .....	2
Technische gegevens .....	3
Ondersteunde profielen .....	5
2 Zó werkt uw handsfree headset .....	6
3 Voordat u begint .....	8
4 Pairing met een <i>Bluetooth</i> -telefoon .....	12
5 Informatie .....	26

## Inleiding

---

Wij danken u hartelijk voor het aanschaffen van dit *Bluetooth* handsfree headset van Belkin. Dankzij de baanbrekende draadloze *Bluetooth*-technologie kunt u heel doeltreffend communiceren via uw Bluetooth- telefoon. Lees deze handleiding aandachtig door zodat u optimaal gebruik kunt maken van uw product.

### Productkenmerken

De *Bluetooth* handsfree headset voldoet aan de *Bluetooth*-standaard versie 1.1 en biedt u:

- Ondersteuning van headset- en handsfree-profiel
- Compatibiliteit met *Bluetooth*-telefoons
- Een comfortabele aanpasbare oorhaak, dankzij SoftHold™ technologie
- Ingebouwde beveiliging: tot 128-bits encryptie en authenticatie

## Inleiding

### Systemvereisten

Deze handsfree headset is geschikt voor alle telefoons met *Bluetooth* v1.1, waaronder maar niet uitsluitend:

- Sony Ericsson® T610, T616, T618, T68i, P800
- Nokia® 3650, 3600, 6310, 6310i, 8910, 8910i, 6600, N-Gage™
- Philips® Fisio® 820, 825 • Ericsson® T39m, T68m

### De verpakking bevat

- *Bluetooth* handsfree headset
- Desktoplader
- SoftHold™ aanpasbare oorhaak met 3 verwisselbare oordopjes
- 5V, 300mA netvoeding
- Handleiding
- Registratiekaart

## Inleiding

### Technische gegevens

Model:	F8T061
<i>Bluetooth</i> -compatibiliteit:	Versie 1.1
Werkfrequentie:	2.4 tot 2.4835GHz
Spread Spectrum:	FHSS (Frequency Hopping Spread Spectrum)
Modulatie:	GFSK (Gussian Frequency Shift Keying)
RF-uitgangsvermogen:	0 dBm, Klasse 2
Gevoeligheid:	< 0.1% BER bij -81 dBm
Frequentiestabiliteit:	+/- 10PPM
Bereik:	10m (33 ft.)*
Design:	Linker en rechter oor
Batterij:	Oplaadbare lithium-polymeerbatterij

## Inleiding

Antenne:	Geïntegreerd, 0 +/- adbi
LED-indicator:	Voeding/Pairing
Lader:	5V DC, 300mA
Standaard stroomverbruik:	TX: 150mA, Rx 80mA
Afmetingen:	64 x 22 x 8 mm (l x b x h)
Gewicht:	0.8oz.

\*Het bereik is afhankelijk van de omgeving, het aantal gebruikers en het gebruik van andere draadloze apparaten in de directe nabijheid.

Er wordt een voorbehoud gemaakt voor wijzigingen in deze informatie.

## Inleiding

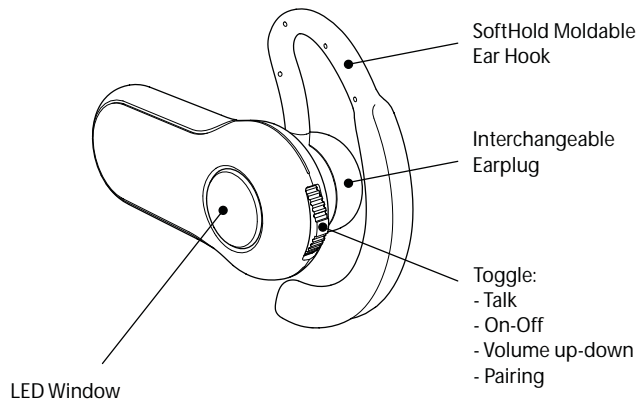
### Ondersteunde profielen

De diensten die uw headset ondersteunt, heten 'profielen'. Beschikbare profielen zijn o.a.:

- Handsfree-profiel
- Headset-profiel



## Zó werkt uw handsfree headset



6

## Zó werkt uw handsfree headset

### Statusindicatoren

LED	Status
Blauwe LED knippert snel 5 keer	Headset wordt aangezet
Rode LED knippert snel 5 keer	Headset wordt uitgezet
Blauwe en rode LED knipperen	Headset in pairing-modus
Blauwe LED knippert om de 3 seconden	Headset is gepaired maar niet actief
Blauwe LED knippert om de 3 seconden snel 3 keer	Headset is gepaired en actief

1

2

3

4

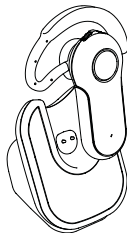
5

Sectie

7

## Voordat u begint

Waarschuwing: Deze *Bluetooth* handsfree headset en oplader zijn uitgerust met magneten waardoor ze met elkaar gekoppeld kunnen worden. Houd de magneten minstens 60cm verwijderd van de vaste schijfstations van uw computer en andere magnetische opslagmedia, monitoren, televisies, videorecorders, videobanden, camera's, foto-rolletjes, creditcards, enz.



### Voor Bluetooth-telefoons

De *Bluetooth* handsfree headset is compatibel met *Bluetooth*- telefoons (versie 1.1). Ga voor meer informatie over compatibiliteit naar pagina 2 of neem contact op met de fabrikant van uw telefoon en informeer naar de *Bluetooth*-compatibiliteit.

## Voordat u begint

### Het opladen van uw headset

Uw *Bluetooth* handsfree headset is uitgerust met een oplaadbare lithium-polymeerbatterij en dient voor gebruik opgeladen te worden.

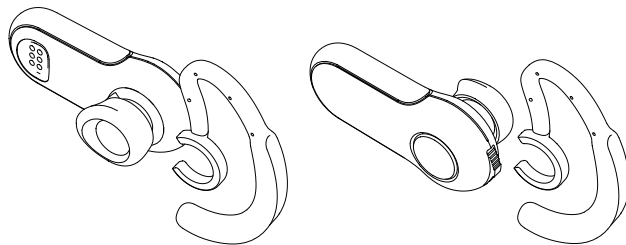
1. Sluit het ene uiteinde van de voedingsadapter aan op de desktoplader en het andere uiteinde op een vrij 230V-stopcontact.
2. Plaats de headset op de desktoplader. De rode laadindicator op de oplader zal branden.
3. Laad de headset gedurende ongeveer 2 uur op totdat het rode lampje uitgaat.

**Opmerking:** Het rode indicatielampje zal branden terwijl de headset aan het opladen is en zal uitgaan zodra de batterij volledig is opgeladen.

## Voordat u begint

### Het oorstukje aanpassen

Het SoftHold oorstukje is zo ontworpen dat hij zowel op uw linker als uw rechter oor comfortabel zit. U kunt de positie van het oorstukje aanpassen door het eenvoudigweg om te draaien en op zijn plaats vast te klikken zoals hieronder staat weergegeven.

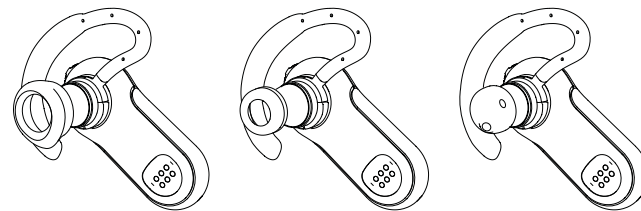


10

## Voordat u begint

### Het verwisselen van de oordopjes

De headset wordt geleverd met drie verwisselbare oordopjes. Gebruik het type oordopje dat u het meest comfortabel vindt zitten.



11

## Pairing met een Bluetooth-telefoon

---

### Pairing-instructies voor populaire Bluetooth-telefoons

In onderstaand overzicht vindt u pairing-instructies voor specifieke telefoons. U kunt ook de handleiding van uw mobiele telefoon raadplegen.

**Opmerking:** Om veiligheidsredenen blijft de headset gedurende 60 seconden in pairing-modus. Als het pairing-proces niet is afgerond binnen die 60 seconden, dient u de hele procedure opnieuw te doorlopen.

## Pairing met een Bluetooth-telefoon

---

### Pairing-proces voor Nokia 6310 en 6310i

1. Zorg ervoor dat uw headset is uitgeschakeld.
2. Druk de spreekknop in en hou deze ingedrukt. Na ongeveer acht seconden zal het blauwe lampje vijf keer knipperen om aan te geven dat de headset is ingeschakeld. Laat de knop pas los als u afwisselend een blauw en een rood lampje ziet oplichten. Dit betekent dat de headset in pairing-modus staat.
3. Selecteer "Menu" en ga naar "Bluetooth".
4. Zorg ervoor dat *Bluetooth* is geactiveerd.
5. Scroll naar "Search for Audio Accessories" (Zoek audio-accessoires).

## Pairing met een Bluetooth-telefoon

6. Uw telefoon zal de headset van Belkin vinden en in het overzicht met gevonden apparaten (Found Devices) opnemen.
7. Selecteer "Belkin Headset" om de "pairing" te starten.
8. Vul het wachtwoord of de pincode "0000" (4 nullen) in. U zult zien dat een blauw lampje om de 3 seconden zal knipperen terwijl dat hiervoor een blauw/rood lampje was.
9. U kunt uw headset nu in gebruik nemen.

## Pairing met een Bluetooth-telefoon

### Het pairing-proces voor Nokia 3650 en N-Gage

1. Zorg ervoor dat de headset uitgeschakeld is.
2. Druk de spreekknop in en hou deze ingedrukt. Na ongeveer acht seconden zal het blauwe lampje vijf keer knipperen om aan te geven dat de headset is ingeschakeld. Laat de knop pas los zodra u om beurten een blauw en een rood lampje ziet branden. Dit geeft aan dat de headset in pairing-modus staat.
3. Selecteer "Menu" en ga vervolgens naar "Tools".
4. Selecteer "Bluetooth".
5. Zorg ervoor dat *Bluetooth* is geactiveerd.
6. Scroll naar het tabblad "Paired Devices" (Gekoppelde apparaten) en selecteer "Options" (Opties).

## Pairing met een Bluetooth-telefoon

7. Onder "Options" selecteert u "New Paired Devices" (Nieuwe gekoppelde apparaten).
8. Uw telefoon zal zoeken naar nieuwe apparaten en zal de headset van Belkin vinden.
9. Selecteer "Belkin Headset" om de "pairing" te starten.
10. Vul het wachtwoord of de pincode "0000" (4 nullen) in. U zult zien dat een blauw lampje om de 3 seconden zal knipperen terwijl dat hiervoor een blauw/rood lampje was.
11. Verlaat het menu.
12. Via uw headset kunt u, door een maal op de spreekknop te drukken, een verbinding met uw mobiele telefoon tot stand brengen. Na enkele seconden zult u op uw mobiele telefoon het verzoek krijgen een verbinding met de *Bluetooth*- headset te accepteren.
13. Uw headset is nu klaar voor gebruik.

## Pairing met een Bluetooth-telefoon

### Het pairing-proces voor Sony Ericsson T68i

1. Zorg ervoor dat de headset uitgeschakeld is.
2. Druk de spreekknop in en hou deze ingedrukt. Na ongeveer acht seconden zal het blauwe lampje vijf keer knipperen om aan te geven dat de headset is ingeschakeld. Laat de knop pas los zodra u om beurten een blauw en een rood lampje ziet branden. Dit geeft aan dat de headset in pairing-modus staat.
3. Ga naar het menu-venster voor uw T68i.
4. Selecteer het icoontje voor "Connect" (Verbinden) en selecteer "*Bluetooth*".
5. Ga naar "Paired Devices" (Gekoppelde apparaten) en "Add a Device" (Voeg een apparaat toe).

## Pairing met een Bluetooth-telefoon

6. Selecteer "Phone Initiates" (Telefoon initieert).
7. Selecteer "Hands-Free" (controleer eerst of het lampje op uw headset blauw/rood knippert).
8. Uw telefoon zal de headset vinden en deze opnemen in het overzicht van gevonden apparaten ("Found Devices).
9. Selecteer "Belkin Headset" om de "pairing" te starten.
10. Vul het wachtwoord of de pincode "0000" (4 nullen) in. U zult zien dat een blauw lampje om de 3 seconden zal knipperen terwijl dat hiervoor een blauw/rood lampje was.
11. U kunt uw headset nu in gebruik nemen.

## Pairing met een Bluetooth-telefoon

### Het pairing-proces voor Sony Ericsson T610, T616, T618

1. Zorg ervoor dat de headset uitgeschakeld is.
2. Druk de spreekknop in en hou deze ingedrukt. Na ongeveer acht seconden zal het blauwe lampje vijf keer knipperen om aan te geven dat de headset is ingeschakeld. Laat de knop pas los zodra u om beurten een blauw en een rood lampje ziet branden. Dit geeft aan dat de headset in pairing-modus staat.
3. Ga naar het menu-venster voor uw T610-serie.
4. Selecteer het icoontje voor "Connect" (Verbinden) en selecteer "Bluetooth".
5. Selecteer "Hands-free Devices" (Handsfree apparaten).

## Pairing met een Bluetooth-telefoon

6. Selecteer "My Hands-free" (Mijn handsfree) en "Add a new hands-free device" (Voeg een nieuw handsfree apparaat toe).
7. Uw telefoon zal de "Belkin headset" vinden en deze opnemen in het overzicht van gevonden apparaten ("Found Devices").
8. Selecteer "Belkin Headset" om de "pairing" te starten.
9. Vul het wachtwoord of de pincode "0000" (4 nullen) in. U zult zien dat een blauw lampje om de 3 seconden zal knipperen terwijl dat hiervoor een blauw/rood lampje was.
10. Uw headset is nu klaar voor gebruik.

## Pairing met een Bluetooth-telefoon

### Het pairing-proces voor Sony Ericsson P800

1. Zorg ervoor dat de headset uitgeschakeld is.
2. Druk de spreekknop in en hou deze ingedrukt. Na ongeveer acht seconden zal het blauwe lampje vijf keer knipperen om aan te geven dat de headset is ingeschakeld. Laat de knop pas los zodra u om beurten een blauw en een rood lampje ziet branden. Dit geeft aan dat de headset in pairing-modus staat.
3. Selecteer "Control Panel" in het venster waarin u de applicatie kunt selecteren.
4. Selecteer het tabblad "Connections" (Verbindingen) en selecteer vervolgens "Bluetooth" in het gegeven overzicht.
5. Selecteer het tabblad "Settings" (Instellingen) en open



## Pairing met een Bluetooth-telefoon

het "Operation Mode"-dropdown-menu.

6. Selecteer "Auto" en selecteer vervolgens de knop "Add" (Toevoegen).
7. Zodra u dit gedaan hebt, zal de P800 alle beschikbare *Bluetooth*-apparaten binnen bereik opsporen.
8. Zodra de P800 uw "Belkin Headset" heeft gevonden, selecteert u deze en zodra dat van u gevraagd wordt, vult u de pincode "0000" in en selecteert u "Done" (Gereed).
9. Uw *Bluetooth* handsfree headset is nu gepaired met uw P800-telefoon.
10. U kunt nu de knop "Done" (Gereed) selecteren om terug te keren naar het configuratiescherm (control panel).

## Pairing met een Bluetooth-telefoon

### Gebruik maken van uw headset

#### De headset in- en uitschakelen

Om uw headset in te kunnen schakelen, dient u hem van de desktoplader te halen en de spreekknop ingedrukt te houden totdat het blauwe lampje vijf keer geknipperd heeft. Als de headset is ingeschakeld zal elke drie seconden een blauw lampje knipperen.

Om uw headset in te kunnen schakelen dient u hem van de desktoplader te halen en de spreekknop ingedrukt te houden totdat het blauwe lampje vijf keer knippert.

#### Het dragen van de headset

Besluit aan welke kant van uw hoofd u de headset wilt dragen en gebruik de hand aan diezelfde zijde om de oorhaak via een cirkelvormige beweging om uw oor te doen. Pas de oorhaak aan uw oor aan door deze met uw vingers aan te duwen en hierbij de contouren van uw oor te volgen.

## Pairing met een Bluetooth-telefoon

---

### Een gesprek aannemen

Wacht totdat uw headset overgaat en neem vervolgens het gesprek aan door op de spreekknop te drukken.

### Een gesprek beëindigen

U kunt een gesprek beëindigen door op de spreekknop te drukken.

### Iemand opbellen

Als u iemand wilt opbellen kunt u gebruik maken van de toesten op uw telefoon.

### Spraakgestuurd bellen

Als uw mobiele telefoon spraakgestuurd bellen ondersteunt, kunt u via een druk op de spreekknop op uw headset iemand opbellen.

## Pairing met een Bluetooth-telefoon

---

### Volumeregelaar

Informatie voor als u uw headset op uw rechter oor draagt:

Als u het geluid van de headset harder wil zetten, duwt u de schakelaar omhoog.

Als u het geluid van de headset zachter wil zetten, duwt u de schakelaar omlaag.

Informatie voor als u uw headset op uw linker oor draagt:

Als u het geluid van de headset harder wil zetten, duwt u de schakelaar omlaag.

Als u het geluid van de headset zachter wil zetten, duwt u de schakelaar omhoog.

## Informatie

### Wettelijke voorschriften

Het artikelnummer van dit product treft u aan op het productidentificatielabel. Voor klantenservice en wettelijke voorschriften kunt u contact opnemen met Belkin via **00 800 223 55 460**.

### FCC-voorschriften

Deze apparatuur is getest en voldoet aan de normen voor digitale apparaten van Klasse B, zoals vastgelegd in Deel 15 van de FCC-voorschriften. Deze grenswaarden zijn vastgesteld teneinde een redelijke bescherming te bieden tegen schadelijke interferenties bij apparatuur die bedoeld is voor gebruik in de woonomgeving. Bovengenoemd apparaat genereert en gebruikt radiofrequente energie en kan deze

## Informatie

tevens uitstralen. Indien het niet volgens de aanwijzingen wordt geïnstalleerd en gebruikt, kan het schadelijke storingen in radiocommunicatie veroorzaken. Dit sluit echter op geen enkele wijze de mogelijkheid uit dat in een bepaalde situatie toch interferentie optreedt. Als dit apparaat toch schadelijke interferentie op de ontvangst van radio of televisie veroorzaakt, wat geconstateerd kan worden door het apparaat uit en aan te zetten, raden wij u aan de interferentie op een van de volgende manieren tegen te gaan:

- Vergroot de afstand tussen de apparatuur en de ontvanger.
- Sluit uw apparatuur aan op een stopcontact dat behoort tot een andere groep dan die waarop de ontvanger is aangesloten.
- Neem contact op met de verkoper of een deskundig radio/TV-technicus.

## Informatie

Wij, Belkin Corporation, gevestigd te 501 West Walnut Street, Compton, CA 90220, verklaren hierbij de volledige verantwoordelijkheid te aanvaarden dat het product

F8T061

waarop deze verklaring van toepassing is, voldoen aan Deel 15 van de FCC-voorschriften. Het gebruik van dit apparaat is onderworpen aan de volgende twee voorwaarden: (1) dit apparaat mag geen schadelijke storingen veroorzaken en (2) dit apparaat dient alle hierop inwerkende storingen te accepteren waaronder begrepen storingen die een niet gewenste werking kunnen veroorzaken.

## Wijzigingen

De Federal Communications Commission eist dat de gebruiker wordt gewaarschuwd dat elke verandering aan het apparaat die niet uitdrukkelijk door Belkin Corporation is goedgekeurd de bevoegdheid van de gebruiker om het apparaat te bedienen teniet kan doen.

## Informatie

### Canada-Industry Canada (IC)

De draadloze radio van dit apparaat voldoet aan RSS 139 & RSS 210 Industry Canada. Dit apparaat van Klasse B voldoet aan de Canadese norm ICES-003.

### Berichtgeving Europese Gemeenschap

Hierbij verklaart Belkin Corporation dat deze *Bluetooth* handsfree headset voldoet aan de essentiële vereisten en andere relevante bepalingen van Richtlijn 1999/5/EC.



## Informatie

---

Producten die voorzien zijn van de CE-markering voldoen aan de R&TTE-richtlijn (1999/5/EC), EMC-richtlijn (89/336/EEC), en de Richtlijn voor laag voltage (73/23/EEC) uitgevaardigd door de Commissie van de Europese Gemeenschap. Het voldoen aan deze richtlijnen houdt in dat de betreffende apparatuur beantwoordt aan de volgende Europese normen (tussen haakjes zijn de overeenkomstige internationale normen vermeld):

- EN 60950 (IEC60950) – Productveiligheid
- ETS 300 328 – Technische vereisten voor radioapparatuur
- EN 301 489-17 – Algemene EMC-normen voor radioapparatuur

Dit product mag gebruikt worden in alle EU- en EFTA-landen.

## Informatie

---

### **Kennisgeving met betrekking tot het gebruik van draadloze apparatuur**

In sommige situaties en op sommige plaatsen is het gebruik van draadloze apparatuur slechts in beperkte mate of niet toegestaan. Zulke beperkingen gelden bijvoorbeeld aan boord van vliegtuigen, in ziekenhuizen, in de buurt van explosieven, op gevaarlijke plaatsen, enz. Als u twijfelt over de regelgeving die van toepassing is op het gebruik van dit apparaat, ga dan, voordat u het apparaat aanzet, na of gebruik is toegestaan.

# BELKIN®

## Bluetooth™ Handsfree Headset

# BELKIN®

## Auricular Bluetooth™ manos libres



belkin.com

### Belkin Corporation

5501 West Walnut Street  
Compton • CA • 90220-5221 • USA  
Tel: +1 310 898 1100  
Fax: +1 310 898 1111

### Belkin Ltd.

Express Business Park • Shipton Way  
Rushden • NN10 6GL • Verenigd Koninkrijk  
Tel: +44 (0) 1933 35 2000  
Fax: +44 (0) 1933 31 2000

### Belkin B.V.

Boeing Avenue 333  
1119 PH Schiphol-Rijk • Nederland  
Tel: +31 (0) 20 654 7300  
Fax: +31 (0) 20 654 7349

### Belkin technische ondersteuning

Europe: 00 800 223 55 460  
US: 877 736 5771

© 2004 Belkin Corporation. Alle rechten voorbehouden. Alle handelsnamen zijn geregistreerde handelsmerken van de betreffende rechthebbenden. De naam *Bluetooth* en de *Bluetooth*-handelsmerken zijn eigendom van *Bluetooth SIG, Inc.*, *Bluetooth SIG, Inc.* en deze worden door Belkin Corporation in licentie gebruikt.

### Belkin GmbH

Hanebergstrasse 2  
80637 München • Duitsland  
Tel: +49 (0) 89 143405 0  
Fax: +49 (0) 89 143405 100

### Belkin Components SAS

5 Rue du Petit Robinson • 3ème étage  
78350 Jouy en Josas • Frankrijk  
Tel: +33 (0) 1 34 58 14 00  
Fax: +33 (0) 1 39 46 62 89

### Belkin Ltd

7 Bowen Crescent • West Gosford  
NSW 2250 • Australië  
Tel: +61 (0) 2 4372 8600  
Fax: +61 (0) 2 4372 8603

P74500



Es



F8T061

## Índice de contenidos

<b>1 Introducción</b> .....	1
Características del producto .....	1
Requisitos del sistema .....	2
Especificaciones .....	3
Perfiles válidos .....	5
<b>2 Cómo saber más acerca de su auricular manos libres</b> . . . .	6
<b>3 Antes de empezar</b> .....	8
<b>4 Acoplamiento a un teléfono</b> tecnológicamente compatible con <i>Bluetooth</i> .....	12
<b>5 Información</b> .....	26

## Introducción

Enhorabuena y gracias por la compra de su auricular *Bluetooth* manos libres de Belkin. El auricular aporta la avanzada tecnología inalámbrica *Bluetooth* que permite una eficiente comunicación con su teléfono compatible con tecnología *Bluetooth*. Por favor, lea este manual en profundidad para asegurarse de que obtiene el máximo rendimiento del producto.

### Características del producto

El auricular *Bluetooth* manos libres *Bluetooth* es compatible con la versión estándar 1.1 y proporciona:

- Perfil válido para el auricular manos libres
- Compatibilidad con *teléfonos Bluetooth*
- Una horquilla amoldable que proporciona el confort de la tecnología SoftHold™ (de sujeción suave)
- Seguridad incorporada: encriptación y autenticación de hasta 128 bits

sección  
1  
2  
3  
4  
5

## Introducción

### Requisitos del sistema

El auricular Bluetooth manos libres es compatible con todos los teléfonos *Bluetooth* v1.1, incluyendo los siguientes, que no los únicos:

- Sony Ericsson® T610, T616, T618, T68i, P800
- Nokia® 3650, 3600, 6310, 6310i, 8910, 8910i, 6600, N-Gage™
- Philips® Fisio® 820, 825 • Ericsson® T39m, T68m

### Contenido del paquete

- *Auricular Bluetooth* manos libres
- Cargador del equipo
- Horquilla amoldable SoftHold™ (de sujeción suave) con tres tapones intercambiables
- Sistema de alimentación 5V DC, 300mA
- Manual del usuario
- Tarjeta de registro

## Introducción

### Especificaciones

Modelo:	F8T061
Compatibilidad de <i>Bluetooth</i> :	Versión 1.1
Frecuencia de funcionamiento:	2.4 a 2.4835GHz
Espectro extendido:	FHSS (Frequency Hopping Spread Spectrum)
Modulación:	GFSK (Frecuencia gaussiana de las mayúsculas)
Salida de radiofrecuencia:	0 dBm, Clase 2
Sensibilidad:	< 0.1% BER a -81 dBm
Estabilidad de la frecuencia:	+/- 10PPM
Alcance de funcionamiento:	10m (33 pies)*
Diseño:	para ambas orejas
Batería:	recargable de litio-polímero



## Introducción

Antena:	integrada, 0 +/- adbi
Indicador LED:	alimentación/acoplamiento
Cargador:	5.0V CC, 300mA
Consumo de energía habitual:	TX: 150mA, Rx 80mA
Dimensiones:	64mm (L) x 22mm (A) x 8mm (A)
Peso:	0.8oz.

\*El alcance de hasta 10m depende del entorno, del número de usuarios y de la existencia de otros dispositivos inalámbricos en las proximidades inmediatas.

Las especificaciones pueden ser objeto de modificación sin previo aviso.

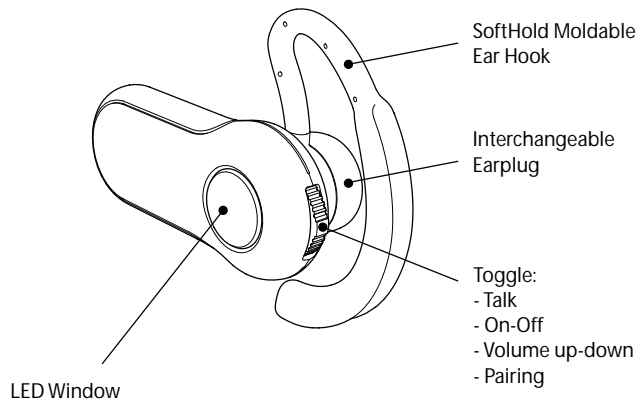
## Introducción

### Perfiles válidos

Los servicios válidos para su auricular están definidos como "Perfiles". Los perfiles disponibles incluyen:

- Manos libres
- Auriculares

## Cómo saber más sobre su auricular manos libres



6

## Cómo saber más sobre su auricular manos libres

### Indicadores de estado

LED	Estado
5 destellos azules rápidos	El auricular se está encendiendo
5 destellos rojos rápidos	El auricular se está apagando
Continúan los destellos azules/rojos	El auricular está en modo de acoplamiento
Destellos azules una vez cada 3 segundos	El auricular está acoplado pero no activo
Destellos azules rápidos cada 3 segundos	El auricular está acoplado y activo

7

sección

1

2

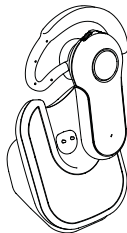
3

4

5

## Antes de empezar

**Atención:** El auricular *Bluetooth* manos libres y el cargador tienen imanes que les permiten acoplarse unos con otros. Mantenga los imanes al menos a 60 cm del disco duro del ordenador y de otros medios de almacenamiento magnético, monitores, televisiones, vídeos, cintas de video, cámaras, tarjetas de crédito, etc.



### Para teléfonos tecnológicamente compatibles con *Bluetooth*

El auricular *Bluetooth* manos libres es compatible con los teléfonos *Bluetooth* (teléfonos versión 1.1). Compruebe la compatibilidad telefónica en la página 2 o consulte con el fabricante de su teléfono para asegurarse de la compatibilidad *Bluetooth*.

## Antes de empezar

### Recargue su auricular

Su auricular *Bluetooth* manos libres está equipado con una batería recargable de litio-polímero y debe estar cargada antes de usarla.

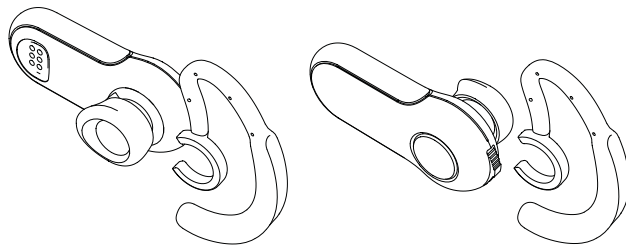
1. Conecte el adaptador de alimentación al cargador del equipo y también a una toma eléctrica 230V AC disponible.
2. Inserte el auricular en el cargador del equipo. Se encenderá una luz roja en el indicador de recarga del cargador.
3. Recargue el auricular durante dos horas aproximadamente o hasta que el indicador rojo del cargador se apague.

**Atención:** El indicador de luz roja estará encendido mientras el auricular se carga y se apagará cuando la recarga se complete.

## Antes de empezar

### Ajuste el auricular

El auricular SoftHold está diseñado para ajustarse a ambas orejas cómodamente. Puede cambiar la posición del auricular simplemente dándole la vuelta y colocándolo tal y como se describe más abajo.

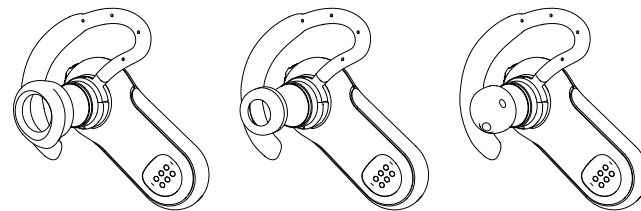


10

## Antes de empezar

### Cómo cambiar los tapones

El auricular incluye tres tapones intercambiables que están diseñados para ajustarse sin problemas. escoja el tapón que se ajuste más cómodamente a su tipo de oreja.



11

## Acoplamiento a un teléfono tecnológicamente compatible con Bluetooth

### Instrucciones para el acoplamiento de teléfonos compatibles con la tecnología Bluetooth

Para obtener instrucciones específicas sobre cómo acoplar su teléfono, busque su modelo más abajo o consulte la guía de usuario de su teléfono móvil.

**Atención:** Por razones de seguridad, el auricular se mantendrá en modo de acoplamiento durante 60 segundos. Si el proceso de acoplamiento no está completo en 60 segundos, tendrá que realizar el procedimiento de acoplamiento de nuevo.

## Acoplamiento a un teléfono tecnológicamente compatible con Bluetooth

### El proceso de acoplamiento para Nokia 6310 y 6310i

1. Asegúrese de que su auricular esté apagado.
2. Mantenga presionado el botón de llamada. Después de ocho segundos aproximadamente, la luz azul parpadeará cinco veces, indicando que el auricular está encendido. No suelte el botón hasta que vea una luz intermitente azul y roja. Esto indica que el auricular está en modo de acoplamiento.
3. Seleccione "Menú" y vaya a "Bluetooth".
4. Asegúrese de que la opción *Bluetooth* está activa.
5. Avance hasta "Search for Audio Accessories" (Busque accesorios de audio).

## Acoplamiento a un teléfono tecnológicamente compatible con Bluetooth

6. Su teléfono localizará el auricular de Belkin y lo añadirá a la lista de "Found Devices" (dispositivos localizados).
7. Seleccione "Auricular Belkin" para iniciar el acoplamiento.
8. Introduzca la contraseña o número pin "0000" (4 ceros). Las luces LED deberían cambiar el parpadeo azul/rojo por un parpadeo azul cada tres segundos.
9. Su auricular estará ya listo para su utilización.

## Acoplamiento a un teléfono tecnológicamente compatible con Bluetooth

### El proceso de acoplamiento para Nokia 3650 y N-Gage

1. Asegúrese de que su auricular esté apagado.
2. Mantenga presionado el botón de llamada. Después de ocho segundos aproximadamente, la luz azul parpadeará cinco veces, indicando que el auricular está encendido. No suelte el botón hasta que vea una luz intermitente azul y roja. Esto indica que el auricular está en modo de acoplamiento.
3. Seleccione "Menú" y posteriormente vaya a la carpeta de "Tools" (Herramientas).
4. Seleccione "Bluetooth".
5. Asegúrese de que la opción *Bluetooth* esté activada.
6. Avance hasta la pestaña "Paired Devices" (dispositivos acoplados) y seleccione "Options" (opciones).

## Acoplamiento a un teléfono tecnológicamente compatible con Bluetooth

7. En "Options" (opciones), seleccione "New Paired Devices" (nuevos dispositivos acoplados).
8. Su teléfono buscará y localizará el "Belkin Headset" (auricular de Belkin).
9. Seleccione "Auricular Belkin" para iniciar el acoplamiento.
10. Introduzca la contraseña o número pin "0000" (4 ceros). Las luces LED deberían cambiar el parpadeo azul/rojo por un parpadeo azul cada tres segundos.
11. Salir del menú.
12. Inicie la conexión a su teléfono móvil pulsando una vez el botón de llamada del auricular. Después de unos segundos se le preguntará vía su teléfono móvil si acepta la conexión del auricular *Bluetooth*.
13. Su auricular estará ya listo para su utilización.

## Acoplamiento a un teléfono tecnológicamente compatible con Bluetooth

### El proceso de acoplamiento para Sony Ericsson T68i

1. Asegúrese de que su auricular esté apagado.
2. Mantenga presionado el botón de llamada. Después de ocho segundos aproximadamente, la luz azul parpadeará cinco veces, indicando que el auricular está encendido. No suelte el botón hasta que vea una luz intermitente azul y roja. Esto indica que el auricular está en modo de acoplamiento.
3. Vaya a la pantalla del menú a por su T68i.
4. Seleccione el icono "Connect" (conectar), después seleccione *"Bluetooth"*.
5. Vaya a "Paired Devices" (dispositivos acoplados) y "Add a Device" (añada dispositivo).

## Acoplamiento a un teléfono tecnológicamente compatible con Bluetooth

6. Seleccione "Phone Initiates" (activación del teléfono).
7. Seleccione "Hands-Free" (manos libres). Asegúrese de que en su auricular se encienden luces azules/rojas.
8. Su teléfono localizará el auricular de Belkin y lo añadirá a la lista de "Found Devices" (dispositivos localizados).
9. Seleccione "Auricular Belkin" para iniciar el acoplamiento.
10. Introduzca la contraseña o número pin "0000" (4 ceros). Las luces LED deberían cambiar el parpadeo azul/rojo por un parpadeo azul cada tres segundos.
11. Su auricular estará ya listo para su utilización

## Acoplamiento a un teléfono tecnológicamente compatible con Bluetooth

### El proceso de acoplamiento para Nokia 6310 y 6310i

1. Asegúrese de que su auricular esté apagado.
2. Mantenga presionado el botón de llamada. Después de ocho segundos aproximadamente, la luz azul parpadeará cinco veces, indicando que el auricular está encendido. No suelte el botón hasta que vea una luz intermitente azul y roja. Esto indica que el auricular está en modo de acoplamiento.
3. Vaya a la pantalla del menú a por su serie T610.
4. Seleccione el icono "Connect" (conectar), después seleccione "Bluetooth".
5. Seleccione "Hands-free Devices" (dispositivos manos libres).



## Acoplamiento a un teléfono tecnológicamente compatible con Bluetooth

6. Seleccione "My Hands-free" (Mi manos libres) y "Add a new hands-free device" (Añadir un nuevo dispositivo manos libres).
7. Su teléfono localizará el auricular de Belkin y lo añadirá a la lista de "Found Devices" (dispositivos localizados).
8. Seleccione "Auricular Belkin" para iniciar el acoplamiento.
9. Introduzca la contraseña o número pin "0000" (4 ceros). Las luces LED deberían cambiar el parpadeo azul/rojo por un parpadeo azul cada tres segundos.
10. Su auricular estará ya listo para su utilización.

## Acoplamiento a un teléfono tecnológicamente compatible con Bluetooth

### El proceso de acoplamiento para Sony Ericsson P800

1. Asegúrese de que su auricular esté apagado.
2. Mantenga presionado el botón de llamada. Después de ocho segundos aproximadamente, la luz azul parpadeará cinco veces, indicando que el auricular está encendido. No suelte el botón hasta que vea una luz intermitente azul y roja. Esto indica que el auricular está en modo de acoplamiento.
3. Seleccione "Control Panel" (panel de control) de la pantalla de selección de la aplicación.
4. Seleccione la pestaña "Connections" (Conexiones), después seleccione "Bluetooth".
5. Seleccione la pestaña "Settings" (Configuraciones) y despliegue el menú "Operation Mode" (Modo de funcionamiento).

## Acoplamiento a un teléfono tecnológicamente compatible con Bluetooth

6. Seleccione "Auto" y posteriormente "Add" (Añadir).
7. Una vez hecho esto, el P800 detectará todos los dispositivos *Bluetooth* que se encuentren a su alcance.
8. Una vez que el P800 haya detectado su "Belkin Headset" (auricular Belkin), selecciónelo y cuando le pida la contraseña, introduzca "0000" y seleccione "Done" (hecho).
9. En este momento su auricular *Bluetooth* manos libres se ha acoplado con éxito a su teléfono P800.
10. Puede seleccionar el botón "Done" (hecho) y retornar al panel de control.

## Acoplamiento a un teléfono tecnológicamente compatible con Bluetooth

### Cómo utilizar su auricular

### Cómo encender y apagar el auricular

Para encender el auricular, retírelo del cargador y mantenga presionado el botón de llamada hasta que el indicador LED se ilumine en azul cinco veces. El indicador LED se iluminará en azul durante tres segundos mientras el auricular esté encendido.

Para apagar el auricular, mantenga presionado el botón de llamada hasta que el indicador LED se ilumine en rojo cinco veces.

### Cómo ajustar el auricular

Decida en qué lado llevará el auricular, desplace suavemente la horquilla y gírela con un movimiento circular. Ajuste la horquilla a la oreja moldeándola según su contorno.

## **Acoplamiento a un teléfono tecnológicamente compatible con Bluetooth**

### **Cómo contestar una llamada**

Para contestar una llamada, espere a que el auricular suene y entonces presione el botón de llamada para responder.

### **Cómo terminar una llamada**

Para terminar una llamada, presione el botón de llamada en cualquier momento.

### **Cómo realizar una llamada**

Para realizar una llamada, marque usando su teléfono móvil.

### **Marcación por voz**

Si su teléfono móvil permite la marcación por voz, presione el botón de llamada para iniciar el procedimiento a través del auricular.

## **Acoplamiento a un teléfono tecnológicamente compatible con Bluetooth**

### **Control de volumen**

Si se coloca el auricular en la oreja derecha:

Para aumentar el volumen del auricular, pulse la tecla de conmutación hacia arriba.

Para reducir el volumen del auricular, pulse la tecla de conmutación hacia abajo.

Si se coloca el auricular en la oreja izquierda:

Para aumentar el volumen del auricular, pulse la tecla de conmutación hacia abajo.

Para reducir el volumen del auricular, pulse la tecla de conmutación hacia arriba.

## Información

### Normativas

Para la identificación de este producto, consulte su número de pieza o de modelo en la etiqueta del producto. Para asistencia al cliente o temas legales, póngase en contacto con Belkin en el número **00 800 223 55 460**.

### Declaración sobre interferencias de la Federal Communications Commission (FCC, Comisión de comunicaciones de EEUU)

Las pruebas realizadas con este equipo dan como resultado el cumplimiento con los límites establecidos para un dispositivo digital de la clase B, de acuerdo a la sección 15 de las normativas de la FCC. Los límites se establecen con el fin de proporcionar una protección razonable contra

## Información

interferencias nocivas en zonas residenciales. Este equipo genera, utiliza y puede emitir energía de radiofrecuencia y, si no se instala y se usa de acuerdo con las instrucciones, puede causar interferencias nocivas a las comunicaciones de radio. De todos modos, no existen garantías de que las interferencias no ocurrirán en una instalación en particular. Si este equipo provoca interferencias en la recepción de radio o televisión, que pueden determinarse encendiendo y apagando el equipo, el usuario puede intentar corregir dichas interferencias tomando una o más de las siguientes medidas:

- Incrementar la distancia entre el equipo y el receptor.
- Conectar el equipo a la toma de un circuito distinto de aquel al que está conectado el receptor.
- Solicitar la ayuda del vendedor o de un técnico experto en radio / televisión.

## Información

Nosotros, Belkin Corporation, con sede en 501 West Walnut Street, Compton, CA 90220 (EEUU), declaramos bajo nuestra sola responsabilidad que el producto

F8T061

al que hace referencia la presente declaración, cumple con la sección 15 de las normativas de la FCC. Su utilización está sujeta a las siguientes dos condiciones: (1) este dispositivo no debe provocar interferencias nocivas y (2) este dispositivo debe aceptar cualquier interferencia recibida, incluidas las interferencias que puedan provocar un funcionamiento no deseado.

### Modificaciones

El FCC exige que el usuario sea notificado de que cualquier cambio o modificación del presente dispositivo que no sea aprobado expresamente por el fabricante podría invalidar el derecho del usuario para utilizar este equipo.

## Información

### Canadá - Industria de Canadá (IC)

La radioemisión inalámbrica de este dispositivo cumple con las especificaciones RSS 139 y RSS 210 de la Industria de Canadá. Este dispositivo digital de la Clase B cumple con la norma canadiense ICES-003.

### Normativa de la Comunidad Europea

Por el presente documento, Belkin Corporation declara que este auricular *Bluetooth* manos libres cumple con los requisitos esenciales y demás disposiciones relevantes de la Directiva 1999/5/EC.



## Información

Los productos con la indicación CE cumplen con la directiva R&TTE Directive (1999/5/EC), la EMC (89/336/EEC) y la de Bajo Voltaje (73/23/EEC) establecida por la Comisión de la Comunidad Europea. El cumplimiento de estas directivas implica la conformidad con las siguientes normativas europeas (equivalentes a las normativas y estándares internacionales)

- EN 60950 (IEC60950) – Seguridad del producto
- ETS 300 328 - Requisitos técnicos para equipos de radioemisión
- EN 301 489-17 - Requisitos generales de la EMC para equipos de radioemisión

Este producto puede utilizarse en los países de la Unión Europea y de la Asociación Europea de Libre Comercio (EFTA, European Free Trade Association).

## Información

### A tener en cuenta en los equipos inalámbricos

En algunas situaciones y ambientes, la utilización de dispositivos inalámbricos puede estar restringida. Dichas restricciones pueden aplicarse en aviones, en hospitales, cerca de explosivos, en lugares peligrosos, etc. Si no está seguro de las normas que se aplican a este dispositivo, pida autorización para usarlo antes de encenderlo.

1

2

3

4

5

sección

# BELKIN®

## Auricular Bluetooth™ manos libres

# BELKIN®

## Auricolare Bluetooth™



belkin.com

### Belkin Corporation

5501 West Walnut Street  
Compton • CA • 90220-5221 • EE.UU.  
Tel: +1 310 898 1100  
Fax: +1 310 898 1111

### Belkin Ltd.

Express Business Park • Shipton Way  
Rushden • NN10 6GL • Reino Unido  
Tel: +44 (0) 1933 35 2000  
Fax: +44 (0) 1933 31 2000

### Belkin B.V.

Boeing Avenue 333  
1119 PH Schiphol-Rijk • Holanda  
Tel: +31 (0) 20 654 7300  
Fax: +31 (0) 20 654 7349

### Asistencia técnica de Belkin

Europe: 00 800 223 55 460  
US: 877 736 5771

© 2004 Belkin Corporation. Todos los derechos reservados. Todos los nombres comerciales son marcas registradas de los respectivos fabricantes enumerados. *El nombre de Bluetooth y las marcas registradas de Bluetooth* son propiedad de Bluetooth SIG, Inc., y son empleadas con licencia por parte de Belkin Components.

### Belkin GmbH

Hanebergstrasse 2  
80637 München • Alemania  
Tel: +49 (0) 89 143405 0  
Fax: +49 (0) 89 143405 100

### Belkin Components SAS

5 Rue du Petit Robinson • 3ème étage  
78350 Jouy en Josas • Francia  
Tel: +33 (0) 1 34 58 14 00  
Fax: +33 (0) 1 39 46 62 89

### Belkin Ltd

7 Bowen Crescent • West Gosford  
NSW 2250 • Australia  
Tel: +61 (0) 2 4372 8600  
Fax: +61 (0) 2 4372 8603

P74500



It



F8T061

## Indice

<b>1 Introduzione</b> .....	1
Caratteristiche del prodotto .....	1
Requisiti del sistema .....	2
Specifiche .....	3
Profili supportati .....	5
2 Conoscere l'auricolare .....	6
3 Prima di iniziare .....	8
4 Abbinamento con un telefono abilitato <i>Bluetooth</i> .....	12
5 Informazioni .....	26

## Introduzione

Grazie per aver acquistato l'auricolare *Bluetooth* Belkin. L'auricolare è provvisto dell'innovativa *tecnologia wireless Bluetooth* che permette di comunicare in modo efficiente con telefoni che supportano la tecnologia *Bluetooth*. Si prega di leggere attentamente il manuale per ottenere le migliori prestazioni dal prodotto.

### Caratteristiche del prodotto

L'auricolare *Bluetooth* è conforme alla versione standard 1.1 *Bluetooth* ed offre:

- Supporto per i profili Headset e Hands-free
- Compatibilità *con i telefoni* che supportano la tecnologia *Bluetooth*
- Gancio auricolare flessibile dotato della tecnologia SoftHold™
- Protezione integrata: crittografia di sicurezza ed autenticazione fino a 128 bit

1

2

3

4

5

sezione



## Introduzione

### Requisiti del sistema

Compatibile con tutti i telefoni dotati di tecnologia *Bluetooth* v1.1 compresi, ma non solo:

- Sony Ericsson® T610, T616, T618, T68i, P800
- Nokia® 3650, 3600, 6310, 6310i, 8910, 8910i, 6600, N-Gage™
- Philips® Fisio® 820, 825 • Ericsson® T39m, T68m

### La confezione include

- Auricolare *Bluetooth*
- Caricabatteria da tavolo
- Gancio auricolare flessibile SoftHold<sup>a</sup> provvisto di 3 gusci intercambiabili
- Alimentatore di corrente 5V DC, 300mA
- Manuale Utente
- Cartolina di registrazione

## Introduzione

### Specifiche

Modello:	F8T061
Conformità <i>Bluetooth</i> :	Versione 1.1
Frequenza d'esercizio:	da 2,4 a 2,4835GHz
Spread Spectrum:	FHSS (Frequency Hopping Spread Spectrum)
Modulazione:	GFSK (Gaussian Frequency Shift Keying)
Modalità di uscita RF:	0 dBm, Classe 2
Sensibilità:	< -81 dBm a 0.1% BER
Stabilità di frequenza:	+/- 10PPM
Distanza d'esercizio:	10m (33 ft.)*
Design:	Orecchio sinistro e destro
Batteria:	ricaricabile ai polimeri di litio

## Introduzione

Antenna:	Integrata, 0 +/- 1 dBi
Indicatore LED:	Alimentazione/Abbinamento
Caricabatteria:	5.0V DC, 300mA
Consumo elettrico medio:	TX: 150mA, Rx 80mA
Dimensioni:	64mm (lung) x 22mm (largh) x 8mm (alt)
Peso:	0.8oz.

\* La copertura di 10m dipende dalle condizioni ambientali, dal numero di utenti e dalla presenza di altre periferiche wireless nelle immediate vicinanze.

Le specifiche sono soggette a variazioni senza obbligo di preavviso.

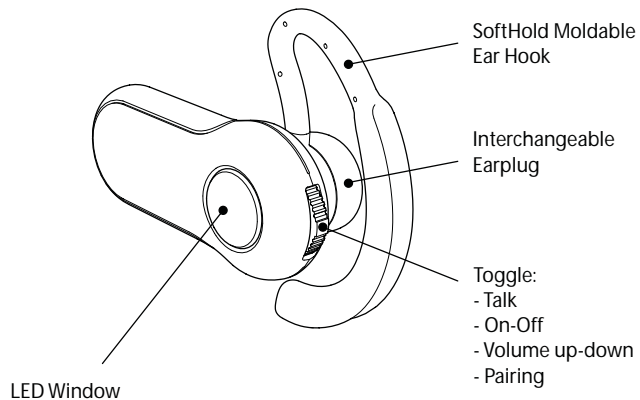
## Introduzione

### Profili supportati

I servizi supportati dall'auricolare sono definiti "profili".  
I profili disponibili comprendono:

- Hands-Free
- Headset

## Conoscere l'auricolare



6

## Conoscere l'auricolare

### Indicatori LED

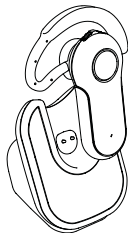
di stato	Stato	1
5 flash rapidi blu	L'auricolare è collegato	<b>2</b>
5 flash rapidi rossi	L'auricolare si sta spegnendo	3
Lampeggio intermittente blu/rosso	Auricolare in modalità di abbinamento	4
Lampeggio blu con intervallo di 3 secondi	L'auricolare in modalità abbinamento non attiva	5
3 flash rapidi blu con intervallo di 3 secondi	L'auricolare è in modalità abbinamento attiva	

sezione

7

## Prima di iniziare

**Avvertenza:** L'auricolare *Bluetooth* e il caricabatteria sono provvisti di calamite per permettervi di attaccarli l'uno all'altro. Tenere le calamite almeno a 60 cm di distanza dal disco rigido del computer e da altri dispositivi a memoria magnetica quali monitor, televisori, videoregistratori, videocassette, macchine fotografiche, rullini, carte di credito ecc.



## Per telefoni provvisti di tecnologia Bluetooth

L'auricolare *Bluetooth* è conforme alla versione standard *Bluetooth* 1.1 Vedere pagina 2 per la compatibilità o consultare il produttore del telefono per assicurarsi che sia compatibile con *Bluetooth*.

## Prima di iniziare

### Caricare l'auricolare

L'auricolare *Bluetooth* è fornito di una batteria ricaricabile ai polimeri di litio e deve essere caricato prima di essere usato.

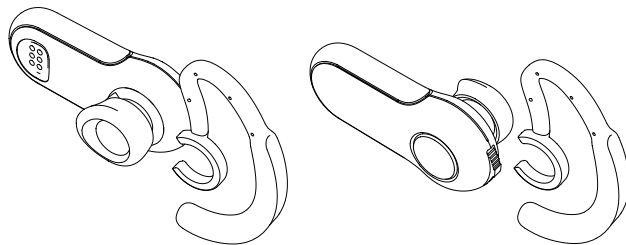
1. Collegare un'estremità dell'adattatore di corrente al caricabatterie da tavolo e l'altra ad una presa di corrente da 230 V AC.
2. Inserire l'auricolare nel caricabatterie da tavolo. Il led rosso dell'indicatore di carica del caricabatteria si accende.
3. Caricare l'auricolare per circa due ore o finchè il led rosso dell'indicatore di carica non si spegne.

**Nota:** L'indicatore led rosso rimane acceso mentre l'auricolare è sotto carica e si spegne quando la carica è completa.

## Prima di iniziare

### Sistemare l'auricolare

Il gancio auricolare SoftHold è stato studiato per adattarsi perfettamente ad entrambe le orecchie. Per cambiare la posizione del gancio auricolare è sufficiente ribaltarlo e fissarlo, facendolo scattare, come descritto di seguito .

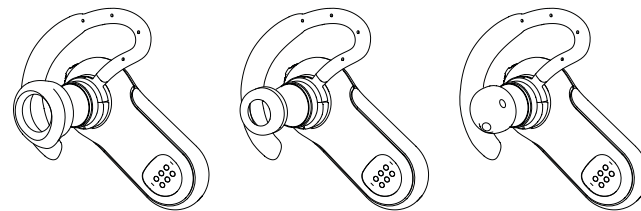


10

## Prima di iniziare

### Cambiare i tappi auricolari

L'auricolare include tre tappi auricolari intercambiabili che si adattano ad ogni tipo di orecchio. Selezionare il tappo auricolare più comodo per le vostre orecchie.



11

1  
2  
3  
4  
5

sezione

## Abbinamento con un telefono provvisto della tecnologia Bluetooth

### Istruzioni per l'abbinamento con i telefoni provvisti di tecnologia Bluetooth

Per le istruzioni relative all'abbinamento, trovare il proprio modello tra quelli riportati qui sotto o consultare il manuale utente del telefono.

**Nota:** Per motivi di sicurezza, l'auricolare rimarrà in modalità di abbinamento per 60 secondi. Se il procedimento di abbinamento non viene completato entro 60 secondi, bisognerà eseguirlo di nuovo.

## Abbinamento con un telefono provvisto della tecnologia Bluetooth

### Abbinamento per Nokia 6310 e 6310i

1. Accertarsi che l'auricolare sia spento.
2. Tenere premuto il pulsante di risposta. Dopo circa otto secondi, la spia blu lampeggerà cinque volte per indicare che l'auricolare è acceso. Tenere premuto il tasto finché le spie blu e rossa non si accendono alternatamente. Ciò indica che l'auricolare è in modalità di abbinamento.
3. Premere "Menu" e scorrere fino a "Bluetooth".
4. Assicurarsi che *la funzione* Bluetooth sia ACCESA.
5. Scorrere fino a "Ricerca accessori audio" ("Search for Audio Accessories").
6. Il telefono identificherà l'auricolare Belkin e lo riporterà nella lista tra i "Dispositivi trovati" ("Found Devices").

## Abbinamento con un telefono provvisto della tecnologia Bluetooth

7. Selezionare "Cuffia Belkin" ("Belkin Headset") per iniziare l'abbinamento.
8. Digitare il codice d'accesso o pin "0000" (4 zeri). A questo punto gli indicatori LED passeranno da blu/rosso intermittente a blu intermittente con un intervallo di tre secondi.
9. L'auricolare è pronto per essere usato.

## Abbinamento con un telefono provvisto della tecnologia Bluetooth

### Abbinamento per Nokia 3650 and N-Gage

1. Accertarsi che l'auricolare sia spento.
2. Tenere premuto il pulsante di chiamata/risposta. Dopo circa otto secondi, la spia blu lampeggerà cinque volte per indicare che l'auricolare è acceso. Tenere premuto il tasto finché le spie blu e rossa non si accendono alternatamente. Ciò indica che l'auricolare è in modalità di abbinamento.
3. Selezionare "Menu" e andare nella cartella "Strumenti" ("Tools").
4. Selezionare "Bluetooth".
5. Assicurarsi che la funzione *Bluetooth* sia ACCESA.
6. Scorrere fino a "Dispositivi associati" ("Paired Devices") e selezionare "Opzioni" ("Options").

## Abbinamento con un telefono provvisto della tecnologia Bluetooth

7. In "Opzioni" selezionare "Nuovo dispositivo associato" ("New Paired Devices").
8. Il telefono cercherà ed identificherà la "cuffia Belkin".
9. Selezionare "cuffia Belkin" ("Belkin Headset") per iniziare l'abbinamento.
10. Digitare il codice d'accesso o pin "0000" (4 zeri). A questo punto gli indicatori LED passeranno da blu/rosso intermittente a blu intermittente con un intervallo di tre secondi.
11. Uscire dal Menu.
12. Collegate l'auricolare al cellulare, premendo una volta il tasto chiamata/risposta situato sull'auricolare stesso. Dopo qualche secondo il cellulare vi chiederà di accettare la connessione con l'auricolare *Bluetooth*.
13. L'auricolare può essere usato.

## Abbinamento con un telefono provvisto della tecnologia Bluetooth

### Abbinamento per Sony Ericsson T68i

1. Accertarsi che l'auricolare sia spento.
2. Tenere premuto il pulsante di chiamata/risposta. Dopo circa otto secondi, la spia blu lampeggerà cinque volte per indicare che l'auricolare è acceso. Tenere premuto il tasto finché le spie blu e rossa non si accendono alternatamente. Ciò indica che l'auricolare è in modalità di abbinamento.
3. Andare alla schermata di menu per il T68i.
4. Selezionare l'icona "Collega" ("Connect"), quindi selezionare "*Bluetooth*".
5. Andare a "Dispositivi associati" ("Paired Devices") e "Aggiungi dispositivo" ("Add Device").
6. Selezionare "Phone Initiates".



## Abbinamento con un telefono provvisto della tecnologia Bluetooth

7. Selezionare "Hands-Free" (assicurarsi che le spie rossa e blu lampeggino).
8. Il telefono identificherà l'auricolare Belkin e lo riporterà nella lista tra i "Dispositivi trovati" ("Found Devices").
9. Selezionare "Belkin Headset" per iniziare l'abbinamento.
10. Digitare il codice d'accesso o pin "0000" (4 zeri). A questo punto gli indicatori LED passeranno da blu/rosso intermittente a blu intermittente con un intervallo di tre secondi.
11. L'auricolare può essere usato.

## Abbinamento con un telefono provvisto della tecnologia Bluetooth

### Abbinamento per Sony Ericsson T610, T616, T618

1. Accertarsi che l'auricolare sia spento.
2. Tenere premuto il pulsante di risposta. Dopo circa otto secondi, la spia blu lampeggerà cinque volte per indicare che l'auricolare è acceso. Tenere premuto il tasto finché le spie blu e rossa non si accendono alternatamente. Ciò indica che l'auricolare è in modalità di abbinamento
3. Andare alla schermata di menu per il T610.
4. Selezionare l'icona "Collega" ("Connect"), quindi selezionare "Bluetooth".
5. Selezionare "Dispositivi Hands-free" ("Hands-free Devices").
6. Selezionare "My Hands-free" e "Add a new hands-free device".

## Abbinamento con un telefono provvisto della tecnologia Bluetooth

7. Il telefono identificherà la "cuffia Belkin" e lo riporterà nella lista tra i "Dispositivi trovati" ("Found Devices").
8. Selezionare "cuffia Belkin" ("Belkin Headset") per iniziare l'abbinamento.
9. Digitare il codice d'accesso o pin "0000" (4 zeri). A questo punto gli indicatori LED passeranno da blu/rosso intermittente a blu intermittente con un intervallo di tre secondi.
10. L'auricolare può essere usato.

## Abbinamento con un telefono provvisto della tecnologia Bluetooth

### Abbinamento per Sony Ericsson P800

1. Accertarsi che l'auricolare sia spento.
2. Tenere premuto il pulsante di risposta. Dopo circa otto secondi, la spia blu lampeggerà cinque volte per indicare che l'auricolare è acceso. Tenere premuto il tasto finché le spie blu e rossa non si accendono alternatamente. Ciò indica che l'auricolare è in modalità di abbinamento.
3. Dalla schermata di selezione delle applicazioni, selezionare "Control Panel".
4. Selezionare la scheda "Connessioni" ("Connections"), quindi selezionare "Bluetooth" dalla lista.
5. Selezionare la scheda "Impostazioni" ("Settings") e far scendere il menu a discesa "Modalità operativa" ("Operation Mode").

## Abbinamento con un telefono provvisto della tecnologia Bluetooth

6. Selezionare "Auto" e quindi premere il tasto "Aggiungi" ("Add").
7. Dopo aver fatto ciò, il P800 individuerà tutti i dispositivi *Bluetooth* rintracciabili nel raggio d'azione.
8. Dopo aver trovato la "cuffia Belkin" ("Belkin Headset"), selezionarla e, quando il P800 richiede di inserire il codice d'accesso, digitare "0000" e selezionare "Fatto" ("Done").
9. Il procedimento di abbinamento dell'auricolare *Bluetooth* con il telefono P800 è stato effettuato.
10. Selezionare "Fatto" ("Done") per ritornare al Control Panel.

## Abbinamento con un telefono provvisto della tecnologia Bluetooth

### Usare l'auricolare

### Accendere/Spegnere l'auricolare

Per accendere l'auricolare, rimuoverlo dal caricabatteria da tavolo, quindi tenere premuto il tasto di risposta fino a quando il led blu lampeggia cinque volte. Quando l'auricolare è acceso l'indicatore LED blu lampeggerà ogni tre secondi .

Per spegnere l'auricolare, tenere premuto il tasto di risposta fino a quando il led rosso lampeggerà cinque volte.

### Indossare l'auricolare

Con la mano corrispondente all'orecchio dove si vuole indossare l'auricolare, posizionare il gancio sull'orecchio e fermarlo effettuando un movimento circolare. Regolare il gancio dell'auricolare, adattandolo alla forma dell'orecchio.

## Abbinamento con un telefono provvisto della tecnologia Bluetooth

### Rispondere ad una chiamata

Per rispondere ad una chiamata, attendere lo squillo dell'auricolare e quindi premere una volta il tasto chiamata/risposta.

### Terminare una chiamata

Per terminare una chiamata, premere il tasto chiamata/risposta in qualsiasi momento durante la telefonata.

### Effettuare una chiamata

Per effettuare una chiamata, usare il cellulare.

### Comando vocale

Se il cellulare è abilitato al comando vocale, premere il tasto di chiamata/risposta per attivarlo dall'auricolare.

## Abbinamento con un telefono provvisto della tecnologia Bluetooth

### Controllo volume

Per indossarlo sull'orecchio destro:

Per aumentare il volume dell'auricolare, alzare il tasto per il controllo del volume.

Per abbassare il volume dell'auricolare, abbassare il tasto per il controllo del volume.

Per indossarlo sull'orecchio sinistro:

Per aumentare il volume dell'auricolare, abbassare il tasto per il controllo del volume.

Per abbassare il volume dell'auricolare, alzare il tasto per il controllo del volume.

## Informazioni

### Certificazioni

Per identificare il prodotto, fare riferimento al codice prodotto o numero articolo sull'etichetta del prodotto. Per richiedere assistenza tecnica o informazioni sulle normative, contattare Belkin al numero **00 800 223 55 460**.

### Informazione della Commissione Federale per le Comunicazioni

Questa attrezzatura è stata testata ed è risultata conforme ai limiti previsti per le periferiche digitali di classe B, in conformità alla Sezione 15 delle normative FCC. Questi limiti sono stati stabiliti per garantire la dovuta protezione da eventuali interferenze di questo genere nel caso delle installazioni domestiche. Questo dispositivo genera, utilizza e può emettere energia in radiofrequenza e, se non installata ed utilizzata in

## Informazioni

conformità alle istruzioni questa attrezzatura può causare interferenze dannose alla ricezione radiotelevisiva. Tuttavia, non c'è garanzia che in un'installazione particolare non si verifichino interferenze. Se questo apparecchio causasse interferenze dannose per la ricezione delle trasmissioni radiotelevisive determinabile spegnendo o riaccendendo l'apparecchio stesso si suggerisce all'utente di cercare di rimediare all'interferenza adottando una o più delle seguenti misure:

- Aumentando la distanza tra il dispositivo ed il ricevitore.
- Collegando il dispositivo ad una presa di un circuito diversa da quella cui è collegato il ricevitore.
- Consultando il rivenditore o un tecnico radio/TV specializzato.

## Informazioni

Noi sottoscritti, Belkin Corporation, con sede al 501 West Walnut Street, Compton, CA 90220, dichiariamo sotto la nostra piena responsabilità che il prodotto,

F8T061

cui questa dichiarazione fa riferimento, è conforme alla sez. 15 delle norme FCC. Bisogna rispettare le seguenti condizioni d'uso: (1) il dispositivo non deve causare interferenze dannose e (2) il dispositivo deve accettare qualsiasi interferenza ricevuta, comprese eventuali interferenze che possano causare un funzionamento anomalo.

## Modifiche

Le indicazioni FCC prevedono che l'utente venga informato del fatto che eventuali variazioni o modifiche apportate a questo dispositivo non espressamente approvate da Belkin Corporation potrebbero annullare la facoltà dell'utente di utilizzare il dispositivo.

## Informazioni

### Canada-Industry Canada (IC)

L'apparecchio radio wireless di questo dispositivo è conforme alle indicazioni RSS 139 & RSS 210 Industry Canada. Questo dispositivo digitale di Classe B è conforme alle indicazioni canadesi ICES-003.

### Direttive delle Comunità Europea

Belkin Corporation dichiara che l'auricolare *Bluetooth* è conforme ai requisiti essenziali ed alle altre disposizioni pertinenti stabilite dalla direttiva 1999/5/CE.



## Informazioni

I prodotti con il marchio CE sono conformi alla Direttiva R&TTE (1999/5/CE), alla direttiva EMC (89/336/CEE) e alla Direttiva per la Bassa Tensione (72/23/CEE) emesse dalla Commissione della Comunità Europea. La conformità a tali direttive implica la conformità con le seguenti normative Europee (tra parentesi gli equivalenti degli standard e normative internazionali):

- EN 60950 (IEC60950) – Sicurezza del prodotto •  
EN 300 328 – Requisiti tecnici per apparecchi radio
- EN 301 489-17 – Indicazioni generali di compatibilità elettromagnetica per apparecchi radio

Questo prodotto può essere usato in tutti i paesi dell'UE e EFTA.

## Informazioni

### Avvertenza wireless

In alcune situazioni o ambienti, l'uso di dispositivi wireless potrebbe essere soggetto a restrizioni. Tali restrizioni possono riguardare aeroplani, ospedali, in prossimità di esplosivi, luoghi pericolosi ecc. Nel caso in cui non si fosse sicuri sulle restrizioni riguardanti questo apparecchio, si prega di chiedere l'autorizzazione prima di usarlo.

1

2

3

4

5

sezione

# BELKIN®

## Auricolare Bluetooth™



belkin.com

### Belkin Corporation

5501 West Walnut Street  
Compton • CA • 90220-5221 • USA  
Tel: +1 310 898 1100  
Fax: +1 310 898 1111

### Belkin Ltd.

Express Business Park • Shipton Way  
Rushden • NN10 6GL • Regno Unito  
Tel: +44 (0) 1933 35 2000  
Fax: +44 (0) 1933 31 2000

### Belkin B.V.

Boeing Avenue 333  
1119 PH Schiphol-Rijk • Paesi Bassi  
Tel: +31 (0) 20 654 7300  
Fax: +31 (0) 20 654 7349

### Assistenza tecnica Belkin

Europe: 00 800 223 55 460  
US: 877 736 5771

© 2004 Belkin Corporation. Tutti i diritti riservati. Tutti i nomi delle aziende menzionate sono marchi registrati dai rispettivi proprietari. Il nome Bluetooth ed i marchi commerciali Bluetooth sono di proprietà della Bluetooth SIG, Inc., e sono utilizzati da Belkin Corporation su concessione di licenza.

### Belkin GmbH

Hanebergstrasse 2  
80637 München • Germania  
Tel: +49 (0) 89 143405 0  
Fax: +49 (0) 89 143405 100

### Belkin Components SAS

5 Rue du Petit Robinson • 3ème étage  
78350 Jouy en Josas • Francia  
Tel: +33 (0) 1 34 58 14 00  
Fax: +33 (0) 1 39 46 62 89

### Belkin Ltd

7 Bowen Crescent • West Gosford  
NSW 2250 • Australia  
Tel: +61 (0) 2 4372 8600  
Fax: +61 (0) 2 4372 8603

P74500



# BELKIN®

## Bluetooth™ Hands-Free Headset



belkin.com

### Belkin Corporation

5501 West Walnut Street  
Compton • CA • 90220-5221 • USA  
Tel: +1 310 898 1100  
Fax: +1 310 898 1111

### Belkin Ltd.

Express Business Park • Shipton Way  
Rushden • NN10 6GL • United Kingdom  
Tel: +44 (0) 1933 35 2000  
Fax: +44 (0) 1933 31 2000

### Belkin B.V.

Boeing Avenue 333  
1119 PH Schiphol-Rijk • The Netherlands  
Tel: +31 (0) 20 654 7300  
Fax: +31 (0) 20 654 7349

### Belkin Tech Support

Europe: 00 800 223 55 460  
US: 877 736 5771

### Belkin GmbH

Hanebergstrasse 2  
80637 München • Germany  
Tel: +49 (0) 89 143405 0  
Fax: +49 (0) 89 143405 100

### Belkin Components SAS

5 Rue du Petit Robinson • 3ème étage  
78350 Jouy en Josas • France  
Tel: +33 (0) 1 34 58 14 00  
Fax: +33 (0) 1 39 46 62 89

### Belkin Ltd

7 Bowen Crescent • West Gosford  
NSW 2250 • Australia  
Tel: +61 (0) 2 4372 8600  
Fax: +61 (0) 2 4372 8603

© 2004 Belkin Corporation. All rights reserved. All trade names are registered trademarks of respective manufacturers listed. The *Bluetooth* name and the *Bluetooth* trademarks are owned by *Bluetooth* SIG, Inc., and are used by Belkin Corporation under license.

P74500ea

## Free Manuals Download Website

<http://myh66.com>

<http://usermanuals.us>

<http://www.somanuals.com>

<http://www.4manuals.cc>

<http://www.manual-lib.com>

<http://www.404manual.com>

<http://www.luxmanual.com>

<http://aubethermostatmanual.com>

Golf course search by state

<http://golfingnear.com>

Email search by domain

<http://emailbydomain.com>

Auto manuals search

<http://auto.somanuals.com>

TV manuals search

<http://tv.somanuals.com>