



# OmniView™

## MATRIX2 Series KVM Switch

**User Manual**

F10M208T  
F10M216T

**MATRIX2 Series**



## TABLE OF CONTENTS

<b>Overview</b>	
Introduction . . . . .	1
Feature Overview . . . . .	2
Equipment Requirements . . . . .	4
Operating Systems . . . . .	5
Unit Display Diagrams . . . . .	6
Specifications . . . . .	7
<b>Installation</b>	
Pre-Configuration . . . . .	8
Step-by-Step Installation Guide . . . . .	9
Powering up the Systems . . . . .	16
<b>Using your MATRIX2</b>	
Selecting a Computer Using Direct-Access Port Selectors . . . . .	17
Selecting a Computer Using Keyboard Hot Key Commands . . . . .	19
AutoScan Mode . . . . .	21
<b>Belkin KVM Switches and Accessories</b>	
OmniView KVM Switches . . . . .	27
OmniView All-in-One KVM Cables . . . . .	29
OmniView Accessories and Adapters . . . . .	31
<b>MATRIX2 Series FAQs</b> . . . . .	32
<b>Troubleshooting</b> . . . . .	34
<b>Information</b> . . . . .	37

## OVERVIEW

### INTRODUCTION

Congratulations on your purchase of this Belkin OmniView MATRIX2 Series KVM Switch (the MATRIX2). Our diverse line of KVM solutions exemplifies the Belkin commitment to delivering high-quality, innovative products at reasonable prices.

Developed with the server administrator in mind, the MATRIX2 surpasses all other switches on the market. It gives two users control over multiple computers and servers from two consoles—simultaneously. Engineered to work with the most advanced server room and laboratory environments, it offers LED port indicators, direct-access port selectors, higher video-resolution support than comparable products, and flash-upgradeable firmware. The MATRIX2 also comes with the unparalleled assurance of a Belkin Five-Year Warranty.

This manual will provide details about your new MATRIX2, from installation and operation to troubleshooting, in the unlikely event of a problem.

For quick and easy installation, please refer to the Quick Installation Guide included in your MATRIX2 packaging.

Thank you for purchasing this great solution from Belkin. We appreciate your business and have confidence that you will soon see for yourself why over 1 million Belkin OmniView products are being used worldwide.

### Package Contents

- OmniView MATRIX2 Series KVM Switch
- Adjustable Rack-mount Brackets with Screws
- DB25-to-RJ45 Parallel Flash Cable
- User Manual
- Quick Installation Guide
- 12-Volt DC, 1-Amp power supply
- Registration Card

## OVERVIEW

The MATRIX2 allows two users to control up to a maximum of 256 computers from two keyboards, monitors, and mice. They support PS/2 input devices (keyboard and mouse) as well as VGA, SVGA, XGA, and XGA-2 video.

It supports both PS/2 and USB output. This enables cross-platform control over PCs and USB-based computers, including USB Sun™ workstations and Mac® computers.

### FEATURE OVERVIEW

#### Hot Keys:

Hot key functionality allows you to select a desired port using designated key commands. By using a simple hot key sequence on your keyboard, selecting one computer from as many as 256 computers is instantaneous. For a listing of complete hot key instructions and commands, see page 19.

#### AutoScan:

The AutoScan feature allows you to set your MATRIX2 to scan and monitor the activities of all operating computers connected to the switch, one by one. The time interval allotted for each computer can be defined or adjusted through the On-Screen Display (OSD) menu. For complete instructions on AutoScan usage, please refer to page 21.

#### Video Resolution:

Through a 400MHz bandwidth, MATRIX2s support video resolutions of up to 2048x1536@85Hz. To preserve signal integrity at these higher resolutions, your MATRIX2 requires 75-Ohm, coaxial VGA cabling.

#### Flash Upgrade:

Flash upgradeable firmware allows you to obtain the latest firmware upgrades for your MATRIX2. This enables your MATRIX2 to maintain consistent compatibility with the latest devices and computers. Firmware upgrades are free for the life of your MATRIX2. Refer to the enclosed flash upgrade instruction document or visit us at [belkin.com](http://belkin.com) for complete upgrade information and support.

## OVERVIEW

#### On-Screen Display (OSD):

The OSD feature simplifies server management by allowing you to assign individual names to each connected server throughout the system. It provides a visual means of switching between computers and setting the time interval for the AutoScan function.

#### Direct-Access Port Selector:

Direct-access port selectors, located conveniently on the front face of the MATRIX2, allow for simple, manual port-selection. Each button controls a port.

#### LED Display:

An LED display on the face of the MATRIX2 serves as a status monitor. An LED next to each direct-access port selector illuminates to indicate that the console currently controls the corresponding computer. As a port is selected, the LED next to it lights up. A flashing LED light indicates that there is no computer connected to that port.

#### Seven-Segment LED Display:

When daisy-chaining multiple MATRIX2s together, the seven-segment LED display serves as a quick indicator of the selected BANK.

## OVERVIEW

### EQUIPMENT REQUIREMENTS

#### Cables:

To connect to the MATRIX2, an OmniView All-in-One MATRIX Series KVM Cable is necessary. Video resolution support of up to 2048x1536@85Hz requires use of a 75-Ohm, coaxial VGA cable to preserve signal integrity. VGA cables must have HDDB15 female-to-HDDB15 male connectors.

Belkin highly recommends that you use OmniView All-In-One MATRIX Series KVM Cables. These cables offer the highest quality possible to ensure optimal data transmission. The MATRIX Series KVM Cables feature micro-cable construction and are molded together for a neat and organized setup. PC99 color-coded connectors are included for easy identification and connection. The MATRIX Series KVM Cables include an industry-standard, 14-pin, coaxial VGA cable; nickel-plated connectors for high-resolution applications; double-shielded cabling to reduce EMI/RFI interference; strain-relief construction for added durability; and ferrite bead for noise immunity. They are available in both USB and PS/2 connector types. The following cables are recommended for your MATRIX2:

#### OmniView All-In-One MATRIX Series

F1D9300-XX (PS/2 Style)

F1D9301-XX (USB Style)

#### OmniView MATRIX2 Series Daisy-Chain

F1D9302-XX (Daisy-Chain Cable)

*(-XX denotes length in feet)*

## OVERVIEW

### OPERATING SYSTEMS

The MATRIX2 is designed for use on CPUs using:

#### Platforms:

- Windows® 95/98/2000/Me/NT®/XP
- DOS
- Turbolinux® and all Linux® distributions
- Novell® NetWare® 4.x/5.x
- Mac® (with USB support)
- Sun (with USB support)

#### Keyboards:

- Supports 101-/102-/104-key keyboards

#### Mice:

- Microsoft® software-compatible PS/2 or PS/2 & USB combo mice (with PS/2 adapter) having 2, 3, 4, or 5 buttons
- Microsoft software-compatible PS/2 wireless or optical mice

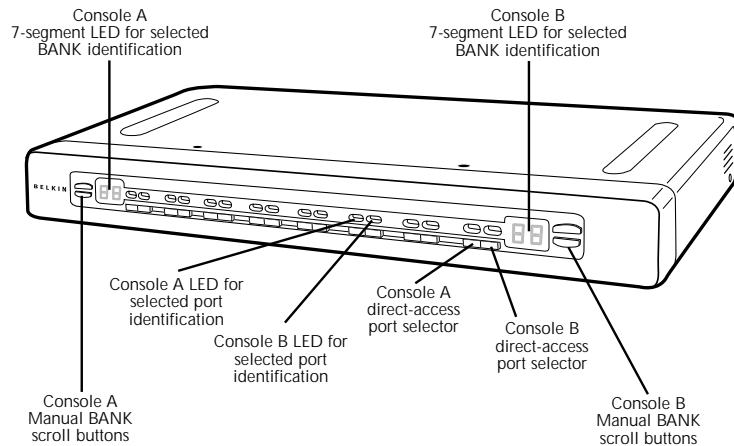
#### Monitor:

- VGA
- SVGA
- MultiSync®

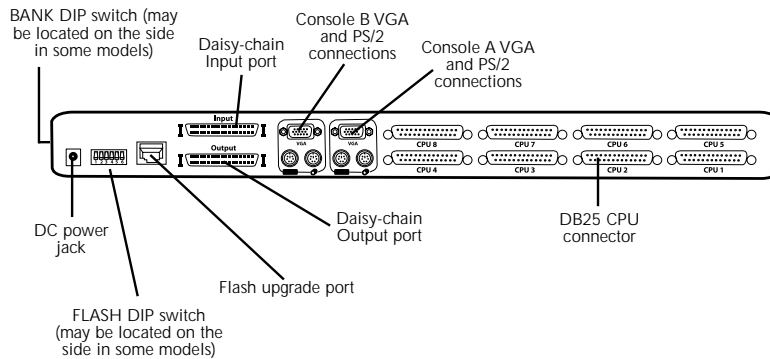
# OVERVIEW

## UNIT DISPLAY DIAGRAMS

### Front View of the MATRIX2



### Back View of the MATRIX2



# OVERVIEW

## SPECIFICATIONS

**Part No.:** F1DM208T, F1DM216T

**Power:** 12-Volt DC, 1-Amp power adapter with center-pin positive polarity

**Daisy-Chain:** Maximum of 16 KVM Switches

**Computer Connections Supported:** 8 (F1DM208T); 16 (F1DM216T)

**Keyboard Emulation:** PS/2

**Mouse Emulation:** PS/2

**Monitors Supported:** VGA, SVGA, MultiSync, and LCD (optional adapter may be required)

**Max. Resolution:** 2048x1536@85Hz

**Bandwidth:** 400MHz

**CPU Input:** DB25 (Video, PS/2, or USB)

**Port LED Indicators:**

16 (F1DM208T)

32 (F1DM216T)

**Enclosure:** Metal enclosure with high-impact plastic faceplate

**Dimensions:**

F1DM208T: 17.25 x 1.75 x 8.9 inch (438 x 44.5 x 225.5mm)

F1DM216T: 17.25 x 3.5 x 8.9 inch (438 x 88.85 x 225.5mm)

**Weight:**

F1DM208T: 9.75 lbs. (4420.5 grams)

F1DM216T: 11.7 lbs. (5307.5 grams)

**Operating Temp.:** 32° to 104° F (0~40° C)

**Storage Temp.:** -4° to 140° F (20~60° C)

**Humidity:** 0-80% RH, non-condensing

**Warranty:** 5 years

**Note:** Specifications are subject to change without notice.

## INSTALLATION

### PRE-CONFIGURATION

#### Where to Place the MATRIX2:

The enclosure of the MATRIX2 is designed for standalone or rack-mount configuration. The MATRIX2 is natively rack-mountable in standard 19-inch server racks. Rack-mount hardware is included with these switches for a sturdy rack installation.

Consider the following when deciding where to place the MATRIX2:

- whether or not you intend to use the direct-access port selectors;
- the lengths of the cables attached to your keyboards, monitors, and mice;
- the location of your CPUs in relation to your Consoles;
- and the lengths.

#### Cable Distance Requirements:

##### For PS/2 Computers:

VGA signals transmit best at distances of up to 25 feet. Beyond that length, the probability of video degradation increases. For this reason, we recommend that the length of the cables between the MATRIX2 and the connected computers not exceed 25 feet.

**Note:** If you need your Console to reside further than 25 feet from the MATRIX2, we recommend using the Belkin CAT5 Extender (F1D084) with a standard CAT5 UTP cable. By using this device, you may increase the distance between your MATRIX2 and your PS/2 keyboard, PS/2 mouse, and monitor by as much as 500 feet without risking signal degradation.

##### For USB Computers:

USB signals can be transmitted up to 15 feet between the MATRIX2 and the CPU. Beyond 15 feet, the probability of signal failure is likely, and this may cause the device to fail.

#### Cautions and Warnings:

Avoid placing cables near fluorescent lights, air conditioning equipment, or machines that create electrical noise (e.g., vacuum cleaners).

## INSTALLATION

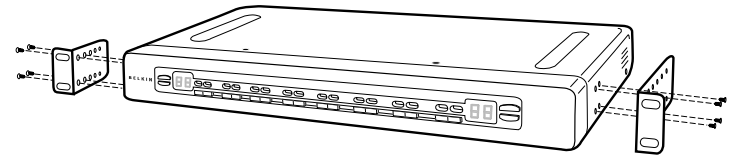
### STEP-BY-STEP INSTALLATION GUIDE

#### Cautions and Warnings:

Before attempting to connect anything to the MATRIX2 or your computer(s), please ensure that everything is powered off. Plugging and unplugging cables while computer(s) are powered on may cause irreversible damage to the computer(s) and/or the MATRIX2(s). Belkin Components is not responsible for damage caused in this way.

#### Installing the MATRIX2 into a Server Rack:

The MATRIX2 includes adjustable mounting brackets ideal for installation in 19-inch racks. The mounting brackets feature three adjustment positions to allow the faceplate of the MATRIX2 to mount flush to your rack-mounted servers, or to the rack. Please follow these simple steps to achieve the desired adjustment.



1. Determine how far you would like the MATRIX2 to protrude from the rack. Select a bracket-hole scheme.
2. Attach the bracket to the side of your MATRIX2 using the Phillips screws provided. (Refer to diagram above).
3. Mount the MATRIX2 to the rack rail assembly.

**Note:** If this MATRIX2 will be daisy-chained to another MATRIX2, set the BANK address prior to installing on a rack. Refer to the section in this User Manual labeled “**Connecting Multiple MATRIX2s (Daisy-Chaining)**” (page 12).

Your MATRIX2 is now mounted securely into the bracket and you are now ready to connect cables to it at the back.

# INSTALLATION

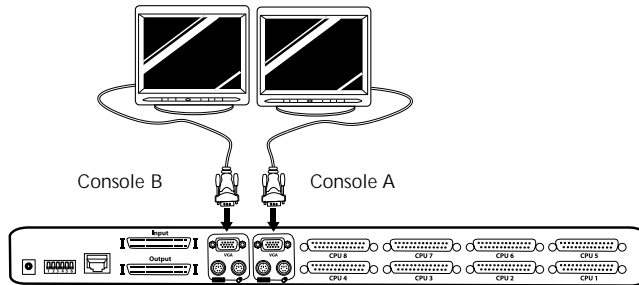
## SINGLE MATRIX2 INSTALLATION

This section provides complete instructions for the hardware setup of a single MATRIX2 (F1DM208T, F1DM216T).

### PS/2 Installation: Keyboard, Video, and Mouse Connections

#### Connect the Console:

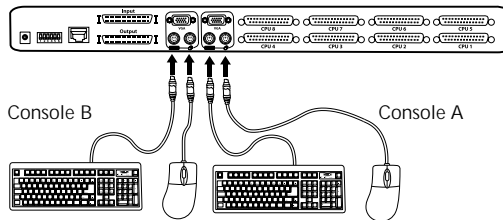
1. Connect the first monitor to the MATRIX2. Attach your monitor cable to the HDB15 female port labeled "Console A VGA" on the back of the MATRIX2.



2. Connect the PS/2 keyboard cable to the keyboard port on the back of the MATRIX2 in the "Console A" section.

3. Connect the PS/2 mouse cable to the mouse port on the back of the MATRIX2 in the "Console A" section.

4. Repeat steps 1 through 3 for Console B.



# INSTALLATION

#### Connect the Power:

Attach the power supply to the DC power jack labeled "DC 12V, 1A" located on the rear of the MATRIX2. Once the power is connected to a power source, the LED for port 01 will begin flashing. Sequentially push the direct-access port selectors for ports 01 through 08 (16 for F1DM216T). The corresponding LED should flash as each button is pressed, indicating that the port is ready for connecting your servers.

#### Connect the Computer:

##### PS/2 Installation:

1. Using an OmniView MATRIX2 KVM Cable (Belkin part# F1D9300-XX), plug the male 25-pin (DB25) connector into an available port, such as "CPU 1", on the back panel of the MATRIX2.
2. Connect the VGA HDB15 connector to the VGA port on the first computer.
3. Connect the PS/2 keyboard connector of the OmniView MATRIX2 KVM Cable to the keyboard port on the first computer.
4. Connect the PS/2 mouse KVM cable to the mouse port on the first computer.
5. Repeat steps 1 through 4 for each additional PS/2 computer you wish to connect.

##### Installation on a USB Computer:

1. Boot the computer you wish to connect via USB as you would normally, with the keyboard, monitor, and mouse connected directly to the computer.
2. After the operating system finishes loading, connect the MATRIX2 to the USB computer using the USB connector on the MATRIX KVM Cable (Belkin part# F1D9301-XX). Your computer should recognize your MATRIX2 and automatically install the HID USB driver, if necessary.
3. Once your computer finishes installing the USB driver, power down your computer. Disconnect the USB connector from your computer.



## INSTALLATION

4. Using the OmniView MATRIX KVM Cable, plug the male DB25 connector to an available port, such as "CPU2", on the back of the MATRIX2.
5. Connect the male VGA connector located on the other end of the cable to the VGA port on the computer.
6. Connect the USB cable's "A-type" connector to an available USB port on your computer.

**Note:** We recommend you attach the KVM cable directly to a free USB port on your computer.

Repeat steps 1 through 6 above for each additional USB computer you wish to connect to the MATRIX2.

Power on all connected computers. The MATRIX2 is now ready to use.

### Connecting Multiple MATRIX2s (Daisy-Chaining):

You can daisy-chain up to 16 MATRIX2s together to control over a maximum of 256 computers. When daisy-chained together, each MATRIX2 is referred to as a "BANK" and assigned an address. The Console keyboard, mouse, and monitor connects to BANK 00 and is referred to as the "Primary" switch. BANKS 01 through 15 are referred to as "Secondary" switches.

**Note:** A MATRIX Series daisy-chain cable (F1D9302-XX) is required to daisy-chain each MATRIX2 and is available through your Belkin reseller or online at belkin.com.

All MATRIX2s feature a "BANK DIP" switch. The BANK DIP switch is used for proper identification and use of OmniView KVM Switches in a single-unit or daisy-chain configuration.

- For a single-unit configuration, set the BANK DIP switch on the MATRIX2 to the "Primary" (BANK address 00) setting. This is the factory default setting.
- For multi-unit configuration, the BANK DIP switch on the Primary unit must be set to "BANK address 00". Secondary units must be set to a unique BANK address (from 01 through 15). Refer to the following chart for DIP switch settings.

## INSTALLATION

### DIP SWITCH CONFIGURATION CHART

DIP SWITCH#						BANK ADDRESS
1	2	3	4	5	6	
ON	ON	ON	ON	ON	ON	BANK 00 Primary (default)
ON	ON	OFF	ON	ON	ON	BANK 01 Secondary
ON	ON	ON	OFF	ON	ON	BANK 02 Secondary
ON	ON	OFF	OFF	ON	ON	BANK 03 Secondary
ON	ON	ON	ON	OFF	ON	BANK 04 Secondary
ON	ON	OFF	ON	OFF	ON	BANK 05 Secondary
ON	ON	ON	OFF	OFF	ON	BANK 06 Secondary
ON	ON	OFF	OFF	OFF	ON	BANK 07 Secondary
ON	ON	ON	ON	ON	OFF	BANK 08 Secondary
ON	ON	OFF	ON	ON	OFF	BANK 09 Secondary
ON	ON	ON	OFF	ON	OFF	BANK 10 Secondary
ON	ON	OFF	OFF	ON	OFF	BANK 11 Secondary
ON	ON	ON	ON	OFF	OFF	BANK 12 Secondary
ON	ON	OFF	ON	OFF	OFF	BANK 13 Secondary
ON	ON	ON	OFF	OFF	OFF	BANK 14 Secondary
ON	ON	OFF	OFF	OFF	OFF	BANK 15 Secondary

**Note:** "ON" is the down position.

### Example:

Four 8-Port MATRIX2s (F1DM208T) are daisy-chained together for controlling up to 32 computers. The DIP switch on the Primary switch is set to "BANK address 00" (factory default) and the Secondary switches are each set to a unique BANK address between 01 and 15.

# INSTALLATION

## INSTALLATION

### Before You Begin:

1. Make sure that all computers are powered off and that each MATRIX2 has been assigned a unique BANK address.
2. Place Primary and Secondary switches in the desired location. Make sure all are turned off and unplugged from the power source.
3. Connect the Console monitor, keyboard, and mouse to the Console ports of the Primary switch (BANK 00), as described previously in this installation guide.

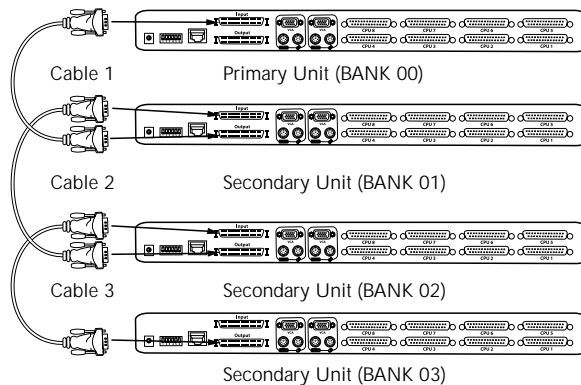
### Connecting the Primary Switch to First Secondary Switch:

4. Using the MATRIX2 daisy-chain cable (F1D9302-XX), connect one end of the cable to the "Input" port on the Primary switch (BANK 00).
5. Connect the other end of the daisy-chain cable to the "Output" port of the Secondary switch (BANK 01).

### Adding Additional Secondary Switches:

6. Using the daisy-chain cable (F1D9302-XX), connect one end of the cable to the available daisy-chain port labeled "Input" on the Secondary switch (for example, BANK 01).
7. Connect the other end of the daisy-chain cable to the "Output" port of the Secondary switch that you are adding (for example, BANK 02).
8. Repeat steps 6 and 7 for additional MATRIX2s you wish to daisy-chain together.

### Example of Daisy-Chain Configuration:



# INSTALLATION

## Connecting the Computers:

9. Connect all computers to the Primary and Secondary switches. Refer to "Single MATRIX2 Installation" on page 10 for instructions on how to connect the Console and the computers to the MATRIX2.
10. Connect the power supply to the Primary switch first and power up the MATRIX2. You should see it light up and display the digits "00", indicating its BANK address.
11. Power up the Secondary switches sequentially, beginning with BANK 01 by connecting each unit's power supply. Each switch should display its corresponding BANK address number as it is powered up.

**Note:** If the MATRIX2s do not enumerate correctly, reset the Primary switch (BANK 00) by simultaneously pressing the "BANK +" and "BANK -" buttons. You can also reset the Primary switch to detect newly added Secondary switches. If the switches still do not enumerate correctly, check that all switches have the correct BANK address assigned to them and that all daisy-chain cables are connected properly.

12. Verify that the Primary unit has detected all Secondary switches by scrolling through the BANKs using the BANK + and BANK - buttons for both Consoles. If all Secondary switches are detected properly, the LED displays on the Primary switch will register and display all attached switches by BANK address.

## INSTALLATION

### Powering up the Systems:

Once all cables have been connected, power up the computers that are attached to the MATRIX2. All computers can be powered on simultaneously. The MATRIX2 emulates both a mouse and keyboard on each port and allows your computer to boot normally.

The computer connected to port "1" will be displayed on the monitor. Check to see that the keyboard, monitor, and mouse are working normally. Proceed to do this with all occupied ports to verify that all computers are connected and responding correctly. If you encounter an error, check your cable connections for that computer and reboot. If the problem persists, please refer to the "Troubleshooting" section in this manual.

## USING YOUR MATRIX2

Now that you have connected your Console and computers to your MATRIX2, it is ready for use.

For fast and easy identification, each of the two Consoles are color-coded: "Console A" in amber and "Console B" in green.

Select connected computers either by using the direct-access port selectors located on the front panel of the MATRIX2, On-Screen Display menu, or by using hot key commands through the Console keyboard. It takes approximately two seconds for the video signal to refresh after switching computers. The mouse and keyboard signals also re-synchronize. This is normal operation and ensures that proper synchronization is established between the Console and connected computers.

### SELECTING A COMPUTER USING DIRECT-ACCESS PORT SELECTORS

You can directly select which computer you wish to control by pressing the direct-access port selector, which is located next to the port for the corresponding Console. The LED lights in amber indicate that the port is currently selected by Console A. The LED lights in green indicate that the port is currently selected by Console B. When Consoles A and B have both selected the same port, the LED will light in the color corresponding to the Console that has control of the port.

For example: If Console A (amber) selects port 2 on BANK 00 first, Console A's LEDs for port 2 will be lit in amber. If Console B (green) then switches over to port 2, BANK 00 while Console A has access to it, then both LEDs will be lit in amber. This indicates that both Consoles are currently accessing the same port but Console A has control of the port. In this example, Console B will only have viewing privileges.

**Note:** When both Consoles are accessing the same port, only one will have control of the computer connected to that port. The other computer will only have viewing capabilities. Port control is assigned on a first-come, first-served basis.

## USING YOUR MATRIX2

If you have daisy-chained multiple switches (MATRIX2s) together, use the BANK scroll keys located on the front panel of the Primary switch to access other computers that are connected to the Secondary switches.

### **BANK + and BANK - Scroll Buttons:**

Pressing the "BANK +" and "BANK -" scroll buttons on the Primary switch will allow you to switch between the daisy-chained MATRIX2s. Pressing both buttons simultaneously will reset the MATRIX2.

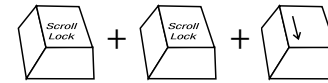
The "BANK +" button will take you to the next BANK. For example, when you are at the Primary switch (BANK 00) and want to check computers on BANK 02. Pressing the "BANK +" button will take you to BANK 02. As a default, the first active computer will be displayed on the Console monitor. Use the direct-access port selector to go to the desired computer on BANK 02.

The "BANK -" button will take you to the previous BANK. For example, when you are at BANK 02 and want to check computers in BANK 01. Pressing the "BANK -" button will take you to BANK 01. As a default, the first active computer will be displayed on the Console monitor. Use the direct-access port selector to go to the desired computer on BANK 01.

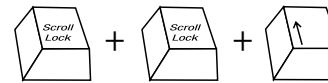
## USING YOUR MATRIX2

### **SELECTING A COMPUTER USING KEYBOARD HOT KEY COMMANDS**

You can switch to the next or prior port with simple keyboard key sequences using the "Scroll Lock" key and either the up or down arrow keys. To send commands to the MATRIX2, the "Scroll Lock" key must be pressed twice within two seconds. A "beep" will sound, confirming that the MATRIX2 is in hot key mode. Next, press the up or down arrow keys, and the MATRIX2 will switch to either the prior port or the next port.

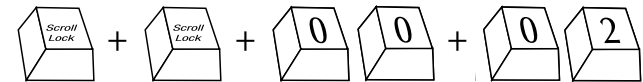


**Switch to next active port—Down arrow**



**Switch to previous active port—Up arrow**

You can switch directly to any port by entering the two-digit BANK address followed by the two-digit number of the port you wish to access. For example, if you press "Scroll Lock", "Scroll Lock", "00", "02", the MATRIX2 will switch to the computer on port 2 located on BANK 00.

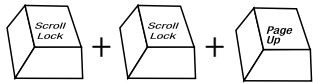


**Switch to BANK 00, Port 2—(00, 02)**

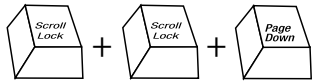
**Note:** You will have approximately five seconds to complete each hot key sequence.

## USING YOUR MATRIX2

With daisy-chain switch configuration, you can switch between BANKs by pressing "Scroll Lock", "Scroll Lock", "Page Up", to switch to the next BANK. Press "Scroll Lock", "Scroll Lock", "Page Down", to switch to the previous BANK.

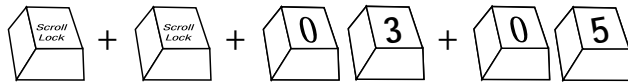


Switch to previous BANK—Page Up



Switch to next BANK—Page Down

You can switch directly to any port on any BANK by pressing "Scroll Lock", "Scroll Lock", BANK Address, and port number. For example, if you press "Scroll Lock", "Scroll Lock", "03", "05", the computer on BANK 03, port 5 will become active.



Switch to BANK 03, Port 5—(03, 05)

## USING YOUR MATRIX2

### AUTOSCAN MODE

Pressing "Scroll Lock", "Scroll Lock", "A" will activate the AutoScan function for that Console. In AutoScan mode, the MATRIX2 remains on one port for a preset number of seconds, before switching to the next computer. This time interval can be set through the On-Screen Display menu. AutoScan is Console-independent.

Press any button on the front panel or any key on the keyboard to disable AutoScan.

**Note:** There is no mouse or keyboard control in AutoScan mode. This is necessary to prevent data and synchronization errors. If the user is using the mouse or keyboard when the MATRIX2 is switching between ports, data flow may become interrupted and could result in erratic mouse movement and/or incorrect character input from the keyboard.

### Direct-Access Port Selector:

You can select a connected computer by pressing the direct-access port selector, located on the front panel of the MATRIX2. The LED will be lit above the number to indicate which port is currently active. For example, to select port 3, press the "PORT 03" button. The LED should light up above the button to indicate that port 3 is active.

## USING YOUR MATRIX2

### Keyboard Hot Key Commands:

You can also conveniently command the MATRIX2 to switch ports through simple keyboard key sequences. To send commands to the MATRIX2, the "Scroll Lock" key must be pressed twice within two seconds. You will hear a beep for confirmation. Below are the different commands:

**Note:** You will have approximately five seconds to complete each hot key sequence.

SL	SL	Up Arrow	Switch to PREVIOUS ACTIVE port
SL	SL	Down Arrow	Switch to NEXT ACTIVE port
SL	SL	Page Up	Switch to PREVIOUS BANK (By default, selects first active port on the BANK)
SL	SL	Page Down	Switch to NEXT BANK (By default, selects first active port on the BANK)
SL	SL	XX YY	Directly switches to PORT Y on BANK X (X=00 to 15) (Y=01 to 08 for F1DM208T) (X=00 to 15) (Y=01 to 16 for F1DM216T)
SL	SL	Delete	Reset OSD to factory default
SL	SL	S	Disable sound in AutoScan mode
SL	SL	Space bar	Activate On-Screen Display
SL	SL	A	Enable AutoScan mode

You can switch directly to any port by selecting the appropriate BANK and port numbers. For instance, if you press "Scroll Lock", "Scroll Lock", "03", "05", the computer on port 5 of the MATRIX2 that is set to BANK 03 will be selected.

## USING YOUR MATRIX2

### On-Screen Display Menu Control:

To access the "On-Screen Display" (OSD) menu, press "Scroll Lock", "Scroll Lock", and the space bar. Immediately, the OSD overlay screen will appear. The superimposed menu screen is generated by the MATRIX2, and does not affect your computers or software function in any way.

The main OSD menu is shown (on the right). It shows the current selected BANK. If you have only one MATRIX2, it will display "BANK 00".

A "\*" symbol indicates that the computer connected to that port is powered.

If a computer is connected and powered up, but the OSD menu does not display a "\*" symbol, you will have to reset the MATRIX2 to re-detect the powered computer. This is done by simultaneously pressing the "BANK up" and "BANK down" buttons on the front panel.

**Note:** "Scroll Lock", "Scroll Lock", "DELETE" will reset the OSD setting to factory default.

An arrow icon indicates the current active port.

(  ): SELECT: Navigate to different computers in the same BANK.

(PGUP/DN): BANK: Select previous BANK by "Page Up" and next BANK by "Page Down".

(INS): RENAME: Press the "Insert" key to name each computer by port (up to 15 characters).

(ENTER): SELECT/SAVE: Select a port and also save the content inputted when renaming the port.

(TAB): SETUP: Open "Setup" menu.

(ESC): EXIT: Exit the On-Screen Display.

The Setup menu allows you to set the AutoScan time and OSD time. The Setup menu can be accessed by pressing the "Tab" key while in the main OSD menu.

## USING YOUR MATRIX2

### AutoScan Time:

Specifies the amount of time the MATRIX2 remains on a port before switching to the next port while in AutoScan mode. You may select time intervals of 7, 15, 30, or 60 seconds. The AutoScan time will apply to both Console A and Console B.

### OSD Time:

Specifies the amount of time the OSD menu is displayed. Also specifies the amount of time the "Port Identification" tag displays on-screen after making a port selection. You may choose 7, 15, 30, or 60 seconds.

For both settings, you may use the arrow keys to navigate. After you have selected the desired time intervals, push "Enter" to save the entry. The OSD time applies to both Console A and Console B.

Press the "ESC" key to go back to the original OSD menu screen.

Press the "ESC" key again to exit On-Screen Display completely.

Once you have selected a computer on the menu, press "Enter" to switch to that port.

If there are Secondary switches connected, and the AutoScan time and OSD time settings are set on the Primary unit only, they will also apply to all Secondary switches.

### Updating Firmware:

Flash upgradeable firmware allows you to obtain the latest firmware upgrades for your MATRIX2. This enables your MATRIX2 to maintain consistent compatibility with the latest devices and computers. Firmware upgrades are free for the life of your unit.

To update your firmware, download the appropriate firmware file and utility from [belkin.com](http://belkin.com). The utility automatically guides you through the process of updating the firmware on your MATRIX2.

### Cautions and Warnings:

We strongly recommend that you update your firmware only if you are currently experiencing mouse and keyboard problems with your MATRIX2, as reconfiguring software may lead to unexpected operational problems. Please contact Belkin Tech Support if you need assistance.

## USING YOUR MATRIX2

### To update the firmware, you will need the following items:

1. A separate computer running Windows 95, 98, or Me. This computer must not be connected to the CPU ports on the MATRIX2.
2. An available parallel port on the computer.
3. A custom flash cable (DB25 Male-to-RJ45; included with purchase) that connects between the MATRIX2 and the computer.
4. Firmware updates files, available at [belkin.com](http://belkin.com).

### Connecting Computers:

1. Connect a keyboard, monitor, and mouse to the computer you prepared for firmware update. It must run Windows 95, 98, or Me.
2. Connect the power adapter to the MATRIX2. Be sure that all connected computers are powered off at this moment.
3. Connect the custom flash cable (DB25 Male-to-RJ45; included with purchase). Connect one end of DB25 to your computer's parallel port and the other end of RJ45 to the MATRIX2's flash upgrade jack.

### Setting the MATRIX2 into Flash Mode:

The MATRIX2 has four Flash DIP switches:

DIP Switch 1	Mouse
DIP Switch 2	Keyboard
DIP Switch 3	Main
DIP Switch 4	OSD

The DIP switch should be set to the "ON" position when you are attempting to update the particular firmware. For instance, set the DIP switch to "ON" to update flash keyboard firmware. While updating firmware, no more than one DIP switch at a time should be set to the "ON" position.

1. Once the above steps have been completed, run the flash software executable. Make sure that the appropriate Flash DIP switch is set to the "ON" position. Only one firmware can be "flashed" at one time.

## USING YOUR MATRIX2

2. After the flash update has been completed, unplug the power supply from the MATRIX2.
3. Set all DIP switches to the "OFF" position.
4. You are now ready to use your MATRIX2 or continue flashing a different component if necessary.

## BELKIN KVM SWITCHES AND ACCESSORIES

### OMNIVIEW KVM SWITCHES

#### OmniView E Series.

This series of desktop KVM Switches allows you to control two or four PS/2 computers from one Console and makes switching between computers more convenient. Designed for compatibility with your PS/2 platform, it reduces desktop clutter and provides a simple, reliable solution at a lower price point.

The OmniView E Series KVM Switch supports high-quality resolution of up to 2048x1536@85Hz through a 400MHz bandwidth when used with coaxial VGA cabling. This means that Belkin OmniView products offer the highest resolution without compromising the quality of the display. Power draws off the keyboard, so that the E Series KVM Switch requires fewer cables and no additional power supply. Standard E Series features include: hot key functionality; keyboard and PS/2 emulations for error-free boot up; and a Belkin Two-Year Warranty.

**F1DB102P** E Series 2-Port KVM Switch PS/2 Only

**F1DB104P** E Series 4-Port KVM Switch PS/2 Only

#### OmniView SOHO Series with Audio.

This innovative design provides built-in cable management and saves space, while adding a whole new sculpted look to your desktop. The SOHO Series with Audio KVM Switches allow you to control two or four PS/2 computers from one Console. You'll enjoy the greatest interface flexibility with PS/2 and USB combination KVM Switches. They offer you expanded compatibility with either interface, or both, along with the additional convenience of direct-access port selectors on the face of the device. Switch between speakers and microphones without having to unplug and re-plug them when switching computers. The flash feature allows users to download firmware updates and ensure compatibility with the latest computers and devices. The enclosure design builds in cable management and the KVM Switches are self-powered, so they require no external power supply and work with fewer cables. High-quality resolution of up to 2048x1536@85Hz is supported through a 400MHz



## BELKIN KVM SWITCHES AND ACCESSORIES

bandwidth by the SOHO Series with Audio KVM Switch when used with coaxial VGA cabling—without compromising the quality of the display. Other standard features found on this unit include: hot key functionality; keyboard and PS/2 emulations for error-free boot up; and a Belkin Five-Year Warranty.

**F1DS102P** SOHO Series 2-Port KVM Switch with Audio PS/2 Only

**F1DS104P** SOHO Series 4-Port KVM Switch with Audio PS/2 Only

**F1DS102T** SOHO Series 2-Port KVM Switch with Audio PS/2 & USB

**F1DS104T** SOHO Series 4-Port KVM Switch with Audio PS/2 & USB

### OmniView PRO2 Series with On-Screen Display.

The OmniView PRO2 Series KVM Switches deliver reliability, performance, and centralized control necessary for today's enterprise environment. This series of KVM Switches enables you to control multiple platform servers from a single console. Available in the desktop-style, 4-port, and the 19-inch rack-mountable 8- and 16-port models, the OmniView PRO2 Series KVM Switch expands easily for full control of as many as 256 CPUs through dedicated daisy-chain ports. Video resolutions of up to 2048x1536@85Hz are supported through a 400MHz bandwidth. On-Screen Display allows you to name and select attached servers using an on-screen interface. Switch between ports by using hot key commands or direct-access port selectors. The PRO2 Series uses standard cables for easy installation; includes a 12-Volt DC, 1-Amp power supply; and is backed by a Belkin Five-Year Warranty.

**F1DA104T** PRO2 Series 4-Port KVM Switch PS/2 & USB

**F1DA108T** PRO2 Series 8-Port KVM Switch PS/2 & USB

**F1DA116T** PRO2 Series 16-Port KVM Switch PS/2 & USB

### OmniView MATRIX2 Series with Dual-Console Control.

The OmniView MATRIX2 Series 8- and 16-Port KVM Switches enable two administrators to control up to eight or 16 PS/2 and USB platform servers, separately or simultaneously. Each user operates a separate Console following a different bus path for complete independence from the other Console. The OmniView MATRIX2 Series KVM Switch expands easily for

## BELKIN KVM SWITCHES AND ACCESSORIES

full control of as many as 256 computers through dedicated daisy-chain ports and is natively rack-mountable for server room environments. Video resolutions of up to 2048x1536@85Hz are supported through a 400MHz bandwidth. On-Screen Display allows you to name and select attached servers using an on-screen interface. Switch between ports by using hot key commands or direct-access port selectors. The MATRIX2 Series uses standard cables for easy installation; includes a 12-Volt DC, 1-Amp power supply; and is backed by a Belkin Five-Year Warranty.

**F1DM208T** MATRIX2 Series 8-Port KVM Switch PS/2 & USB

**F1DM216T** MATRIX2 Series 16-Port KVM Switch PS/2 & USB

### OMNIVIEW ALL-IN-ONE KVM CABLES

OmniView All-In-One KVM Cables provide you with the quality connections necessary to set up your KVM solution. Each kit provides the proper cables and connectors to complete the installation of a Belkin OmniView KVM Switch.

OmniView All-In-One KVM Cables feature sturdy, strain-relief construction and PVC overmolding to prevent data loss. Use of 20-gauge wire delivers the high-performance cable that users have come to identify with the Belkin name. A ferrite bead reduces electromagnetic and radio frequency interference (EMI/RFI). PC99 color-coded connectors and modified thumbscrews have been added for easier installation.

### MATRIX Series.

OmniView MATRIX Series Cables provide maximum connectivity between your servers and OmniView MATRIX2 Series KVM Switches. Its 14-pin, coaxial video cabling preserves video strength and clarity at higher resolutions. Our advanced micro-cable construction delivers optimum data transfers through a durable, thin cable that manages easily. Designed to maximize performance of your MATRIX2 Series KVM Switch, or any KVM Switch using DB25 connector ports, this MATRIX Series KVM Cable features nickel-plated, high-integrity connectors; a gray PVC Flextec™ All-In-One jacket; double-shielded cabling for maximum

## BELKIN KVM SWITCHES AND ACCESSORIES

protection against RFI and EMI; strain-relief construction on both ends of the cables; and a ferrite bead for noise immunity.

**F1D9300-XX** PS/2 (available in lengths of 6, 10, 15, and 25 feet)

**F1D9301-XX** USB (available in lengths of 6, 10, and 15 feet)

### Gold Series.

These cables are known for their 24k gold-plated connectors and black Flextec jackets, and offer the highest-performance possible. The 24k gold-plated connectors maximize longevity and signal integrity, and offer corrosion resistance. The Gold Series includes a custom 15-pin, coaxial VGA cable to support image clarity for the highest-resolution applications, and is available in PS/2 and USB styles.

**F3X1835-XX-GLD** PS/2 (available in lengths of 6, 10, 15, and 25 feet)

**F3X1895-XX-GLD** USB (available in lengths of 6, 10, and 15 feet)

### PRO Series Plus Cables.

The PRO Series Plus Cables are high-performance cables built to exacting standards. They receive and transmit data through nickel-plated connectors. The industry-standard 14-pin, coaxial VGA cabling was designed to support image clarity for high-resolution applications. The gray jacket bends into even the tightest crawl spaces for an excellent fit. The PRO Series Plus is available in PS/2- and USB-style cable kits.

**F3X1105-XX** PS/2 (available in lengths of 6, 10, 15, and 25 feet)

**F3X1962-XX** USB (available in lengths of 6, 10, and 15 feet)

(-XX denotes length in feet)

## BELKIN KVM SWITCHES AND ACCESSORIES

### OMNIVIEW ACCESSORIES AND ADAPTERS

Belkin KVM technology includes various accessories and adapters to complete your KVM solution. The Adapter Series converts Mac, Sun, or USB keyboards, video, and mouse signals into PS/2 and VGA.

F1D080—The **OmniView PS/2 Mac Adapter™** converts a Macintosh® computer with a 4-pin ADB™ (Apple® Desktop Bus) and DB15 connector into a PS/2 keyboard, HDDB15 VGA monitor, and PS/2 mouse.

F1D082—The **OmniView PS/2 Sun Adapter™** converts a Sun 8-pin keyboard/mouse and 13W3 video into a PS/2 keyboard, PS/2 mouse, and VGA monitor.

F1D084—The **OmniView CAT5 Extender** enables you to control a PC or KVM Switch up to 500 feet away using standard UTP CAT5 cabling.

F1D087—The **OmniView Keyboard Extender** allows you to extend your keyboard up to 250 feet away.

F1D088—The **OmniView VGA Monitor Extender** bridges up to 250 feet of distance between your PC and monitor.

F1D089—The **OmniView Keyboard Splitter** allows you to work with two kinds of PS/2 keyboards and pointing devices without swapping cables or rebooting the computer.

F1D090—The **OmniView Mouse Splitter** allows you to work with two kinds of PS/2 mice or trackballs without swapping cables or rebooting the computer.

F1D201—The **OmniView 2-Port Reverse KVM Switch** gives two users central control of one PC from two sets of keyboards, monitors, and mice.

F2N017—The **OmniView PRO Series AT-to-PS/2 Keyboard Adapter** allows you to connect a keyboard with an AT-style connector to a computer with a PS/2-style connector.

## MATRIX2 SERIES FAQs

- Q:** What operating systems does the MATRIX2 support?
- A:** The MATRIX2 will support any operating system that runs on a PS/2 and USB platform. It will also work with non-USB Sun and Mac operating systems using the appropriate adapters (OmniView PS/2 Sun Adapter [F1D082], OmniView PS/2 Mac Adapter [F1D080]). Operating systems include, but are not limited to, DOS, Windows 95/98/2000/Me/NT/XP, Linux, and Mac OS.
- Q:** What does flash upgradeable mean?
- A:** With flash upgrade capability, you can update your MATRIX2 at any time through a simple parallel connection. Internet upgrade capability ensures that your MATRIX2 is always the most current version on the market with the latest features and enhancements.
- Q:** Does the MATRIX2 support Microsoft IntelliMouse®?
- A:** The MATRIX2 supports mice from Microsoft®, Logitech®, Kensington®, etc., and Belkin. Please contact Belkin Technical Support for compatibility issues you may encounter.
- Q:** How does the MATRIX2 allow the user to switch between ports?
- A:** The MATRIX2 supports three methods of port selection. The user can select computers using specially designated keyboard hot keys, OSD menu, or can independently access the desired port by pushing the direct-access port selectors.
- Q:** How far can the computer be from the MATRIX2?
- A:** When using PS/2 connections, the MATRIX2 can be up to 25 feet away from your computer. If your computer needs to be more than 25 feet (7.5 meters) from the MATRIX2, you can use the Belkin CAT5 Extender to place your monitor and PS/2 keyboard and PS/2 mouse up to 500 feet away using a standard CAT5 UTP cable. When using USB connection between your MATRIX2 and computer, we recommend that your computer be no more than 15 feet (5 meters) from the MATRIX2.
- Q:** What is the maximum video resolution that the MATRIX2 supports?
- A:** The advanced video circuit in the MATRIX2 supports a maximum resolution of 2048x1536@85Hz.
- Q:** What video bandwidth does the MATRIX2 support?
- A:** The MATRIX2 supports 400MHz of video bandwidth.

## MATRIX2 SERIES FAQs

- Q:** Can PS/2 and USB connections be used simultaneously on the same port?
- A:** No. You must use one or the other for each CPU's dedicated port on the MATRIX2.
- Q:** Do I have to install any software to use the MATRIX2?
- A:** No, the MATRIX2 does not require any drivers or software to be installed in your computers. Simply connect all your computers to the PC ports on the MATRIX2, then attach one keyboard, monitor, and mouse to the Console port and it is ready for use.
- Q:** Does the MATRIX2 require an AC adapter?
- A:** Yes, the MATRIX2 requires a 12-Volt DC, 1-Amp power adapter in order to function properly.
- Q:** Can I use the MATRIX2 to switch video signals only?
- A:** Yes, you may use the MATRIX2 to switch between video signals only without having to connect the keyboard and mouse. The keyboard and mouse should be connected directly to the computer that the video signal is taken from to ensure that your computer functions properly.
- Q:** Can I use the MATRIX2 on my Sun computer that supports USB?
- A:** Yes, the USB MATRIX2 works with any USB-capable computer.
- Q:** Does the MATRIX2 support Linux?
- A:** Yes, the MATRIX2 works with all Linux kernels configured for USB support.
- Q:** How long is the warranty for the MATRIX2?
- A:** The MATRIX2 comes with a five-year limited warranty.
- Q:** Can I daisy-chain my MATRIX2 with a Belkin PRO2 or MATRIX2 Series KVM Switch?
- A:** No, the MATRIX2 cannot be daisy-chained to the PRO2 and MATRIX2 Series KVM Switches. You may only daisy-chain the MATRIX2 with other MATRIX2 units (F1DM208T or F1DM216T).

## TROUBLESHOOTING

### General

*My computer does not boot when connected to the MATRIX2 but works fine when I connect the keyboard, video, and mouse directly to the computer.*

- Make sure that the keyboard and mouse cables are connected tightly between the MATRIX2 and the computer.
- Check that the keyboard and mouse cables are not crossed.

### Video

*I am getting ghosting, shadowing, or fuzzy images on my monitor.*

- Check that all video cables are inserted properly.
- Check that the monitor you are using supports the resolution and refresh-rate setting on your computer.
- Check that the graphics card you are using supports the resolution and refresh-rate setting on your computer.
- Connect the monitor directly into the computer you are having trouble with to see if the problem still appears.

*I am getting a black screen on my monitor.*

- Check that all video cables are inserted properly.
- If you are not using a power adapter, check that the keyboard cable is connected and inserted properly between the computer and MATRIX2 for the appropriate port.
- If you are using the MATRIX2 only for video switching, and have no keyboard and mouse connection between the MATRIX2 and PC, you will need to purchase the optional 9V DC, 600mA power adapter (F1D065-PWR for your appropriate country).
- Connect your monitor directly to the computer to verify that your monitor is functioning properly.

## TROUBLESHOOTING

### Keyboard

*The computer does not detect a keyboard and I get a keyboard error reported at boot up.*

- Check that the keyboard cable between the MATRIX2 and the computer is completely connected. Tighten any loose connections.
- Try using a different keyboard.
- Try connecting the computer to a different port.
- If you are using the keyboard software that was included with your keyboard, uninstall it and then reinstall the standard Microsoft keyboard driver.

### Mouse

*The mouse is lost when I switch to a different port.*

- Check that the mouse you are using is connected properly to the console of the MATRIX2.
- Check that the other Console is not on the same port.
- If you are using a mouse driver that was included with your mouse, uninstall it and install the standard Microsoft mouse driver.
- Disconnect and reconnect the mouse cable attached to the channel with which you are experiencing problems to re-synchronize the mouse connection.
- Make sure the mouse works when directly plugged into the computer.
- If the computer is coming out of standby mode, allow up to one minute to regain mouse function.
- De-activate power-management schemes on the PC with which you are experiencing problems.
- Try a different mouse.

*The mouse is not detected at boot-up.*

- Check the cables and make sure that they are inserted correctly.

## TROUBLESHOOTING

*The computer boots up, but the mouse does not work.*

- Make sure the mouse is plugged in properly.
- Make sure the mouse works when directly plugged into the computer. Rebooting may be necessary when trying this.
- Try a different mouse.

*When I switch from one port to another, mouse movement is completely erratic.*

- Make sure you do not have more than one mouse driver installed. Make sure that the driver is either for a standard PS/2 mouse or a Microsoft software-compatible PS/2 mouse.
- Make sure you do not have any mouse drivers loaded in your CONFIG.SYS or AUTOEXEC.BAT files.
- Avoid moving the mouse or pressing the mouse button when switching ports on the MATRIX2.
- You can reset the mouse and resume proper mouse movement simply by unplugging the mouse from the front of the MATRIX2 for about 2–3 seconds, and then plugging it in again.

## USB

*I am connecting my computer to the USB MATRIX2 via USB and my keyboard and mouse do not work.*

- Prior to connecting the USB MATRIX2, make sure that the HID USB driver is installed on each computer. (To install the HID USB driver, connect a USB mouse and USB keyboard to the computer. A Windows operating system should automatically install the drivers.)

*Some of the keys on my keyboard are not functioning properly when I use a Mac computer.*

- Because you are using a PC keyboard on a Mac computer, a few of the option keys on your PC keyboard may be reversed. All major keys will function as labeled.

## WARRANTY, FCC, CE, ICES STATEMENT

### FCC Statement

#### DECLARATION OF CONFORMITY WITH FCC RULES FOR ELECTROMAGNETIC COMPATIBILITY

We, Belkin Components, of 501 West Walnut Street, Compton CA 90220, declare under our sole responsibility that the products:

**F1DM208T, F1DM216T**

to which this declaration relates:

Comply with Part 15 of the FCC Rules. Operation is subject to the following two conditions:

(1) this device may not cause harmful interference, and (2) this device must accept any interference received, including interference that may cause undesired operation.

### CE Declaration of Conformity

We, Belkin Components, declare under our sole responsibility that the F1DM208T and F1DM216T to which this declaration relates, are in conformity with Emissions Standard EN55022 and with Immunity Standard EN55024, LVP EN61000-3-2, and EN61000-3-3.

### ICES

This Class B digital apparatus complies with Canadian ICES-003. Cet appareil numérique de la classe B est conforme à la norme NMB-003 du Canada.

### Belkin Components Limited Five-Year Product Warranty

Belkin Components warrants this product against defects in materials and workmanship for its warranty period. If a defect is discovered, Belkin will, at its option, repair or replace the product at no charge provided it is returned during the warranty period, with transportation charges prepaid, to the authorized Belkin dealer from whom you purchased the product. Proof of purchase may be required. This warranty does not apply if the product has been damaged by accident, abuse, misuse, or misapplication; if the product has been modified without the written permission of Belkin; or if any Belkin serial number has been removed or defaced.

THE WARRANTY AND REMEDIES SET FORTH ABOVE ARE EXCLUSIVE IN LIEU OF ALL OTHERS, WHETHER ORAL OR WRITTEN, EXPRESSED OR IMPLIED. BELKIN SPECIFICALLY DISCLAIMS ANY AND ALL IMPLIED WARRANTIES, INCLUDING, WITHOUT LIMITATION, WARRANTIES OF MERCHANTABILITY AND FITNESS FOR A PARTICULAR PURPOSE.

No Belkin dealer, agent, or employee is authorized to make any modification, extension, or addition to this warranty.

BELKIN IS NOT RESPONSIBLE FOR SPECIAL, INCIDENTAL, OR CONSEQUENTIAL DAMAGES RESULTING FROM ANY BREACH OF WARRANTY, OR UNDER ANY OTHER LEGAL THEORY, INCLUDING BUT NOT LIMITED TO, LOST PROFITS, DOWNTIME, GOODWILL, DAMAGE TO OR REPROGRAMMING, OR REPRODUCING ANY PROGRAM OR DATA STORED IN OR USED WITH BELKIN PRODUCTS.

Some states do not allow the exclusion or limitation of incidental or consequential damages or exclusions of implied warranties, so the above limitations of exclusions may not apply to you. This warranty gives you specific legal rights, and you may also have other rights that vary from state to state.



belkin.com

**Belkin Components**

501 West Walnut Street  
Compton • CA • 90220 • USA  
Tel: 310.898.1100  
Fax: 310.898.1111

**Belkin Components, Ltd.**

Unit 13 • Gatelodge Close • Round Spinney  
Northampton • Northants • NN3 8RX • United Kingdom  
Tel: +44 (0) 1604678300  
Fax: +44 (0) 1604678330

**Belkin Components B.V.**

Starparc Building • Boeing Avenue 333  
1119 PH Schiphol-Rijk • The Netherlands  
Tel: +31 (0) 20 654 7300  
Fax: +31 (0) 20 654 7349

**Belkin Components, Ltd.**

7 Bowen Crescent • West Gosford  
NSW 2250 • Australia  
Tel: +61 (2) 4372 8600  
Fax: +61 (2) 4325 4277

P73783

© 2001 Belkin Components. All rights reserved. All trade names are registered trademarks of respective manufacturers listed. Apple, Mac, and Macintosh are trademarks of Apple Computer, Inc., registered in the U.S. and other countries.

## Free Manuals Download Website

<http://myh66.com>

<http://usermanuals.us>

<http://www.somanuals.com>

<http://www.4manuals.cc>

<http://www.manual-lib.com>

<http://www.404manual.com>

<http://www.luxmanual.com>

<http://aubethermostatmanual.com>

Golf course search by state

<http://golfingnear.com>

Email search by domain

<http://emailbydomain.com>

Auto manuals search

<http://auto.somanuals.com>

TV manuals search

<http://tv.somanuals.com>