

nostromo™ n40

nostrromo™

Nostrromo n40 USB Gamepad Quick Start Guide

Welcome and Thanks

Thank you for purchasing the Nostrromo n40 Dual Analog USB Gamepad. You will find this is the tool you need to increase your scores and dominate your opponents. In addition to the Nostrromo n40 Dual Analog USB Gamepad, Belkin also manufactures additional Nostrromo Game Devices, as well as a broad line of PC accessories. Check out our website at www.belkin.com for additional information.

1 GETTING STARTED

- Your Nostrromo n40 Dual Analog USB Gamepad will work with any Windows® 98, 2000, or Me game. If you are using Windows 2000, please be sure to plug in your gamepad before installing any software on the enclosed CD.
- The enclosed CD contains the Nostrromo Array Programming Software. With this software you can get the increased programmability, up to 57 programmable functions, that hardcore gamers crave and need to maintain their edge. If you choose, there is no need to use the software. The n40 will function perfectly without it.
- If you are using a Mac there is no need to install any software.


2 INSTALL THE SOFTWARE

- Insert your Nostrromo Array Programming Software into your CD/DVD drive on your computer.
- The software will start automatically. If it doesn't, click the Start Button and Choose RUN. Click BROWSE and choose the CD Drive. Select setup.exe and click OK.
- Follow the on-screen instructions to continue with the software installation.

3 CONNECT THE GAMEPAD

- Connect the Nostrromo n40 USB Gamepad to an available USB port on your computer.
- Continue to follow the on-screen instructions to complete the installation.

4 START THE SOFTWARE

- Start the Nostrromo Array Programming Software.
- Double-click on  in the taskbar, or find the Nostrromo Array

Programming Software in the Start Menu, Program Files. You also have the option to install this logo on your desktop for direct and easy access.

5 VERIFY THE CONTROLLER STATUS

- Before using the controller in a game, make sure the status is OK.
- Select Start, then Settings, then Control Panel. Once in the Control Panel select the Game Controllers icon. In the General tab, make sure the status of the Nostrromo n40 USB Gamepad reads "OK". In the Advanced Tab, make sure the Nostrromo n40 USB Gamepad is on ID1. If it is not on ID1, rearrange the controllers to make it ID1.

6 SELECT PROFILE

The Nostrromo Array Programming Software comes pre-loaded with 30 profiles. To select a profile, open the Nostrromo Array Programming Software Profile Editor. Then select the Open icon in the taskbar of Open in the File Menu. This will take you to your Profile Folder where your profiles are normally stored. Select the Profile you would like to use and click Open.

7 START THE GAME

You are now installed and ready to go! Congratulations! Be sure to check your game to make sure you are taking advantage of all the options available.

8 TROUBLESHOOTING

- The Nostrromo n40 is not responding*
- Make sure your cable is connected properly.
 - In the Windows Control Panel/Game Controllers Window, make sure the window shows "Nostrromo n40 USB Gamepad OK" If you don't see this line, unplug the gamepad and uninstall the software and drivers. Then reboot, re-install the software, and plug in the pad. If you are using Windows 2000 be sure to plug in the gamepad first.
 - Also make sure the controller is assigned ID1 in the Advanced Tab.
 - Make sure your button assignment is what you think it is.
 - Try restarting your computer.
 - Check for additional information in the Nostrromo Array Programming Software Help Files.
 - Go to www.belkin.com for further assistance.

The Game Froze

- Restart your computer.

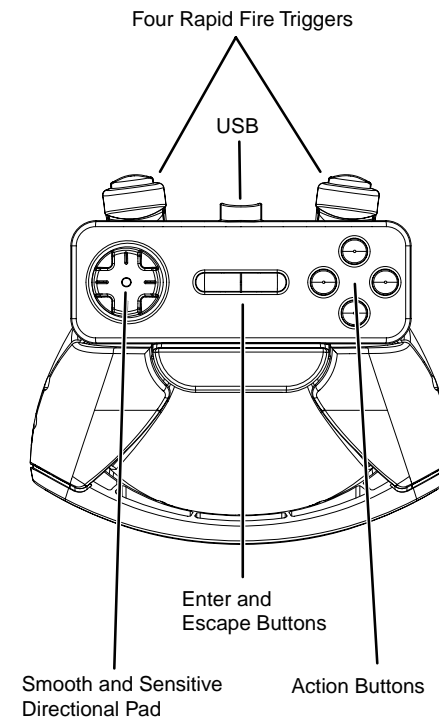
The Gamepad is not in the Windows Control Panel

- Unplug your gamepad, uninstall the software and drivers. Then reboot, re-install the software, and plug in the pad. If you are using Windows 2000 be sure to plug in the gamepad first.

The Game Settings are wrong

- If you made a profile for the game, double check the profile and make sure the settings are correct.

FEATURES OVERVIEW



Complete Users Guide in the Nostrromo Array Programming Software

Upon installation of the Nostrromo Array Programming Software, click Users Guide to see information on the following:

- Product Features.
- Instructions for using the Nostrromo Array Programming Software to customize the gamepad's settings.
- Product Support and Trouble Shooting Information.
- End user license agreement and Limited Warranty.

Product Technical Support: 800-223-5546 ext. 2263

FCC Statement

DECLARATION OF CONFORMITY WITH FCC RULES FOR ELECTROMAGNETIC COMPATIBILITY

We, Belkin Components, of 501 West Walnut Street, Compton CA 90220, declare under our sole responsibility that the product: F8GBPC002

to which this declaration relates: Complies with Part 15 of the FCC Rules. Operation is subject to the following two conditions: (1) this device may not cause harmful interference, and (2) this device must accept any interference received, including interference that may cause undesired operation.

CE Declaration of Conformity

We, Belkin Components, declare under our sole responsibility that the F8GBPC002, to which this declaration relates, is in conformity with Generic Emissions Standard EN50081-1 and with Generic Immunity Standard EN50082-1 1992.

Belkin Components Limited One Year Product Warranty

Belkin Components warrants this product against defects in materials and workmanship for one year. If a defect is discovered, Belkin will, at its option, repair or replace the product at no charge provided it is returned during the warranty period, with transportation charges prepaid, to the authorized Belkin dealer from whom you purchased the product. Proof of purchase may be required.

This warranty does not apply if the product has been damaged by accident, abuse, misuse, or misapplication; if the product has been modified without the written permission of Belkin; or if any Belkin serial number has been removed or defaced.

THE WARRANTY AND REMEDIES SET FORTH ABOVE ARE EXCLUSIVE IN LIEU OF ALL OTHERS, WHETHER ORAL OR WRITTEN, EXPRESSED OR IMPLIED. BELKIN SPECIFICALLY DISCLAIMS ANY AND ALL IMPLIED WARRANTIES, INCLUDING, WITHOUT LIMITATION, WARRANTIES OF MERCHANTABILITY AND FITNESS FOR A PARTICULAR PURPOSE.

No Belkin dealer, agent, or employee is authorized to make any modification, extension, or addition to this warranty.

BELKIN IS NOT RESPONSIBLE FOR SPECIAL, INCIDENTAL, OR CONSEQUENTIAL DAMAGES RESULTING FROM ANY BREACH OF WARRANTY, OR UNDER ANY OTHER LEGAL THEORY, INCLUDING BUT NOT LIMITED TO LOST PROFITS, DOWNTIME, GOODWILL, DAMAGE TO OR REPROGRAMMING, OR REPRODUCING ANY PROGRAM OR DATA STORED IN OR USED WITH BELKIN PRODUCTS.

Some states do not allow the exclusion or limitation of incidental or consequential damages or exclusions of implied warranties, so the above limitations of exclusions may not apply to you. This warranty gives you specific legal rights, and you may also have other rights that vary from state to state.

Belkin Components

501 West Walnut Street
Compton • CA • 90220 • USA
Tel: 310.898.1100
Fax: 310.898.1111

Belkin Components, Ltd.

Unit 13 • Gatelodge Close • Round Spinney
Northampton • NN3 8RX • United Kingdom
Tel: +44 (0) 1604678300
Fax: +44 (0) 1604678330

Belkin Components B.V.

Diamantlaan 8 • 2132 WV
Hoofddorp • The Netherlands
Tel: +31 (0) 235698765
Fax: +31 (0) 235612694

Belkin Components, Ltd.

7 Bowen Crescent • West Gosford
NSW 2250 • Australia
Tel: +61 (2) 43254666
Fax: +61 (2) 4325 4277

Free Manuals Download Website

<http://myh66.com>

<http://usermanuals.us>

<http://www.somanuals.com>

<http://www.4manuals.cc>

<http://www.manual-lib.com>

<http://www.404manual.com>

<http://www.luxmanual.com>

<http://aubethermostatmanual.com>

Golf course search by state

<http://golfingnear.com>

Email search by domain

<http://emailbydomain.com>

Auto manuals search

<http://auto.somanuals.com>

TV manuals search

<http://tv.somanuals.com>