



## Quick Installation Guide

### AeroLAN™ AL1011 Wireless PCMCIA Adapter



Making Networking Simple

#### Introduction

Thank you for purchasing an Asanté FriendlyNET AeroLAN PCMCIA Wireless Adapter. This adapter is designed to be the most economical way to add wireless functionality to your small business or home office network.

- This wireless PC Card is compatible with Asanté FriendlyNET wireless routers, Apple AirPort™ and other IEEE 802.11b devices.
- Dual-Platform support; driver support for Mac OS and Windows
- Easy to install – simply install the card into an available PC Card slot, run the Installer or Wizard, and start using your new adapter!
- Free telephone technical support when used with Windows 95/98/Me/NT/2000/XP and Mac OS 8.6 through OS 9.2.

#### Packing List

Your package contains the following items:

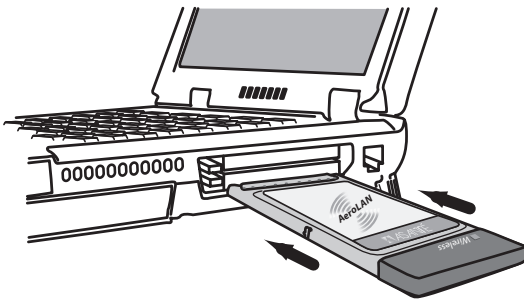
- FriendlyNET AeroLAN PCMCIA Wireless Adapter
- This Quick Installation Guide
- Drivers Utility CD-ROM

#### System Requirements

- **Macintosh Minimum Requirements:** Apple PowerBook running Mac OS 8.6 up to 9.2 with 32MB RAM
- **PC Minimum Requirements:** Pentium 133 with 32MB RAM; Microsoft Windows 95, 98, Me, NT 4.0, XP, and 2000 Professional

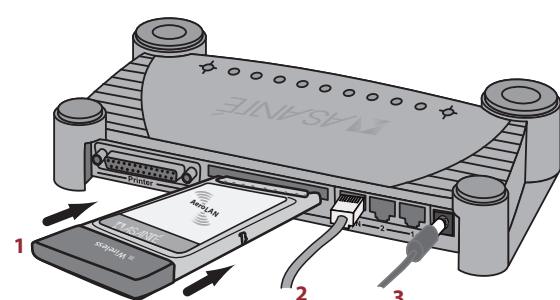
#### Hardware Installation:

Here's how to install this adapter:



#### Installing the Adapter into a laptop

1. Turn off the power to the laptop.
2. Insert the PC card into any available PC Card slot in your laptop.
3. Turn on the power to your computer and allow the computer to start up to the desktop.



#### Installing the adapter into FriendlyNET FR3002AL Wireless Router

1. Disconnect power from the router. Carefully insert the AeroLAN Wireless Adapter into the PCMCIA slot in the back of the router. Make sure the AeroLAN label faces up and the adapter sits firmly in the slot.
2. Connect a network cable from the router to your cable/DSL modem.
3. Plug the power module into an electrical outlet and insert the power jack into the router.

#### Software Installation:

Follow the steps below to install the device driver and wireless configuration utility for the AeroLAN Wireless Adapter.

#### Driver Installation:

1. Follow the hardware installation instruction to install the AeroLAN adapter into your laptop computer and insert the provided driver utility CD into your CD-ROM drive.
2. Install the drivers from the provided CD-ROM:
  - a. **Windows** – follow the Hardware Installation Wizard and locate the driver on the CD-ROM.
  - b. **Macintosh** – locate the Installer in the Macintosh folder on the CD-ROM and follow the on-screen instructions.
3. Reboot the computer.

#### Installing AeroLAN Wireless Configuration Utility (Windows only)

1. After installing the device driver, locate the "Utility" folder in the provided CD-ROM and double click on "Setup".
2. Follow the on-screen instruction to install the wireless configuration utility.
3. Re-boot the computer when prompted.

Visit Asanté at [www.asante.com](http://www.asante.com)

#### Main Corporate Telephone Numbers

800-662-9686 (Home/Office Solutions)  
800-303-9121 (Enterprise Solutions)  
408-435-8388

#### Technical Support

801-566-8991 (Worldwide)

#### Technical Support Fax

801-566-3787



Making Networking Simple

Copyright © 2001 Asanté Technologies, Inc. Asanté and FriendlyNET are registered trademarks of Asanté Technologies, Inc. AeroLAN, AsantéCare, and the Asanté logo are trademarks of Asanté Technologies, Inc. All other brand names and products are trademarks or registered trademarks of their respective holders. All features and specifications are subject to change without prior notice. 06-00605-02, 12/01

In a few moments, you will see the status of your network card:

**A. Wireless Status** - Green LED flashes when searching for wireless connection. Green LED on when wireless connection has been properly established.



#### Free Technical Support and Warranty

One year of free telephone technical support via web and ftp; one year product warranty.

#### Product Registration

To register your Asanté product, please visit:  
<http://www.asante.com/support/registration.html>

#### AsantéCare™

Optional extended technical support and product warranty for additional years.

#### Tips for Better Wireless Reception:

The signal quality and range of any wireless Ethernet card is affected greatly by the environment in which they are placed. Here are some tips on getting the most out of your wireless network when using the Asanté FR3002AL wireless router:

- The best rule of thumb for good signal strength and quality is to have line-of-sight from the wireless router to the wireless computers. This means the user should be able to see the router from the location where the wireless client is placed
- Keep the wireless router in an open area away from any large objects such as cubicles, walls or other obstructions
- Keep the wireless router away from any electro-magnetic emitting devices such as computers, electrical cables, televisions, and other appliances commonly found in the home or office
- Keep obstructions from the immediate vicinity of wireless card antennas
- Elevate the wireless router above desktop clutter and low to mid-level obstructions, such as furniture
- Rotate the wireless router and computers until the best signal strength is achieved
- The number of walls windows, doorways and other building structures will reduce the range of the wireless signal. Place the wireless router in the path of least resistance through these structures for the best signal quality to the wireless workstations
- The type of walls, windows, doorways or other building structures will affect the range of the wireless signal. Structures such as metal framed housed, windows containing UV protective film, and residences with multiple floors will all affect the signal quality
- Standing too close to a wireless Ethernet card antenna will affect its signal strength and quality

#### Troubleshooting Tips

In the unlikely event your network is not operating properly, follow the troubleshooting tips below.

- Check that your wireless adapter is firmly seated into PC slot.
- Confirm that your wireless router/hub/access-point is broadcasting a strong signal, and that your computer is located within the allowable range.
- Check to see if device driver has been properly installed.
- Check your computer's software. Check your operating system manual for instructions on configuring your network for file and print sharing.
- Check to see if your wireless adapter has been properly configured with the correct SSID and WEP encryption settings.

#### Need more help?

Consult the Asanté website ([www.asante.com](http://www.asante.com)) for additional troubleshooting tips and frequently asked questions (FAQ). You may also contact Asanté Technical Support during standard business hours (7am to 6pm MST, Monday-Friday).

**Email:** support@asante.com

**Phone:** 801-566-8991

**FAX:** 801-566-3787

#### Product Specifications

<b>Drivers:</b>	Microsoft Windows 95, 98, Me, NT 4.0, 2000 Professional Mac OS 8.6/9.x <i>See the Asanté website for the latest drivers</i>
<b>Status Indicators:</b>	Wireless Status LED
<b>Bus Interface:</b>	PCMCIA Type II, 16-bit
<b>Dimensions:</b>	3.4 x 2.2 inches (86 x 54 mm)
<b>Weight:</b>	8 ounces (0.23 Kg)

#### Environmental Range

<b>Operating Temperature:</b>	32-104° F (0-40° C)
<b>Relative Humidity:</b>	10-95% (non-condensing)

#### Wireless Performance

<b>Frequency Band:</b>	2.4 GHz
<b>Modulation:</b>	Direct Sequence Spread Spectrum
<b>Antenna:</b>	Integrated Diversity Antenna
<b>Security:</b>	Supports Wired Equivalent Encryption (WEP) data encryption

#### Standards Compliance

<b>Wireless Network:</b>	IEEE 802.11b High Rate up to 300 feet (91 meters) with dynamic rates from 1 to 11 Mbps at 2.4 GHz. Compatible with Apple Airport.
<b>Regulatory:</b>	FCC Class B, CE Mark

#### Safety and Regulatory Compliance

##### FCC Compliance Statement

NOTE: This equipment has been tested and found to comply with the limits for a Class B digital device, pursuant to Part 15 of the FCC Rules. These limits are designed to provide reasonable protection against harmful interference in a residential installation. This equipment generates, uses and can radiate radio frequency energy and, if not installed and used in accordance with the instructions, may cause harmful interference to radio communications. However, there is no guarantee that interference will not occur in a particular installation. If this equipment does cause harmful interference to radio or television reception, which can be determined by turning the equipment off and on, the user is encouraged to try to correct the interference by one or more of the following measures:

1. Reorient or relocate the receiving antenna.
2. Increase the separation between the equipment and receiver.
3. Consult the dealer or an experienced radio/TV technician for help.

##### Safety Advisory

1. Always turn off power to your computer before installing hardware.
2. Always practice ESD techniques when installing hardware.
3. Always use this product in a cool, dry, dust-free environment or danger of electrocution or fire may result.



## Free Manuals Download Website

<http://myh66.com>

<http://usermanuals.us>

<http://www.somanuals.com>

<http://www.4manuals.cc>

<http://www.manual-lib.com>

<http://www.404manual.com>

<http://www.luxmanual.com>

<http://aubethermostatmanual.com>

Golf course search by state

<http://golfingnear.com>

Email search by domain

<http://emailbydomain.com>

Auto manuals search

<http://auto.somanuals.com>

TV manuals search

<http://tv.somanuals.com>