

Kochendwassergerät

Thermofix E, EL, GL

Water Heater

Chauffe-eau
«bouilloire»

Boiler voor
kokend water

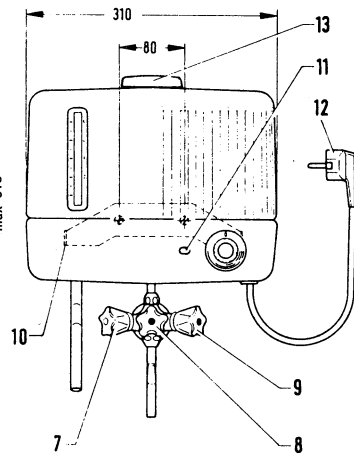
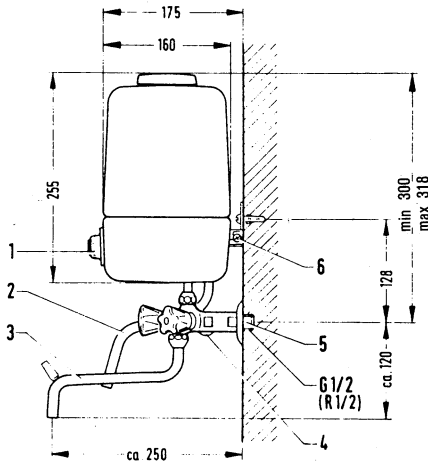
Montage- und
Gebrauchsanweisung

Instructions for
installation and use

Instructions de mon-
tage et mode d'emploi

Montage- en gebruiks-
aanwijzing

AEГ

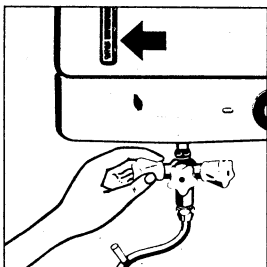


662 250 670
004.14.2018

1. Temperature selection dial with pushbutton ON switch
2. Overflow pipe
3. Swivel spout
4. Flow control screw
5. Cold water connection
6. Wall mounting screw
7. Tap handle, white (for filling)
8. Tap handle, red (hot water)
9. Tap handle, blue (cold water)
10. Wall mounting bracket
11. Indicating lamp
12. Connection lead (0.5 m long)
13. Cap

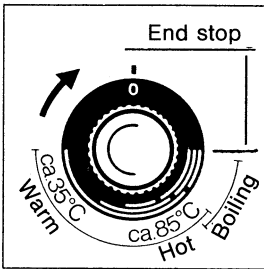
1. Instructions for the user

1.1 Operating the appliance



Filling with water

Fill the container with the required amount of water (from 0.5 to 5 litres) by turning the LH white tap handle. The container is provided with a scale which indicates the amount of water filled.



Setting the water temperature

Set the appliance to the desired water temperature by turning the temperature selection dial:

The white range of the selection dial:

Warm to hot water from approx. 35 °C to approx. 85 °C

The red range of the selection dial:

Boiling water

(Continuous on model Thermofix E, thermostatically controlled on models Thermofix EL and GL – once the required temperature has been, the fitted buzzer will operated).

Please note: The temperature selection dial cannot be overwound!

Switching the appliance ON

Press the pushbutton which is located in the centre of the selection dial. The indicating lamp will now light up and the appliance will start to heat the water.

Switching the appliance OFF

If the appliance has been set to a temperature within the white range of the selection dial, it will switch itself off automatically once the set temperature has been reached.

The appliance can be switched off at any time simply by turning the temperature selection dial anticlockwise.

Caution: If the appliance has been set to continuous boiling (Thermofix E), it is necessary to switch it off manually.

With the thermostatically controlled boiling facility (Thermofix EL, GL), the appliance will switch itself off automatically when the boiling point has been reached and will switch itself on again after the temperature has dropped. Here, too, the appliance must be switched off manually.

To obtain warm or hot water

Turn the handle of the middle tap (marked red).

To obtain cold water

Turn the handle of the right-hand tap (marked blue)

Cold water can be obtained at any time, even whilst a filling of water is heating up. Cold and hot water can be mixed by opening the red and blue taps simultaneously.

Important Note:

Installation and initial operation

Installation and initial operation of the water heater must be carried out by a suitably qualified person who is responsible for ensuring that the work is done correctly and who can explain to the user how the appliance must be operated.

The appliance must not be switched on when empty!

The overflow pipe must not be closed or blocked, nor may it be extended by means of flexible tubing or piping.

Caution: The water container, mixer valve, swivel spout and overflow pipe will inevitably become hot (up to 100 °C) during use. Please therefore ensure that small children are kept well out of reach of the appliance.

An additional safety device to prevent overheating is installed in this appliance, which cuts out if there is a functional defect or the appliance is used improperly.

If the defect is still not rectified, the appliance absolutely must be inspected by an electrician.

1.3 Care of your appliance

Wipe the appliance from time to time with a damp cloth and then rub dry. The chromi plated parts may also be cleaned with a suitable cleanser.

1.4 Maintenance of appliance

Decalcifying

Important: Regular decalcifying ensures troublefree operation.

Use only liquid decalcifying agents, e.g. Cillit decalcifier. Fill the appliance with 1 litre of water and heat to approx. 50 °C (beginning of the second white line on the temperature selection dial).

Remove the cap (13) and stopper from the top of the container and pour in 50 – 100 ml of decalcifying agent depending on the amount of furring. Replace the stopper and cap and allow the decalcifying agent to take effect for approx. 30 minutes. Then fill the container to the 5 litre mark and reheat to 50 °C.


Leave the appliance for a further 30 minutes and then flush thoroughly with cold water, making sure that the water can escape freely through the overflow pipe. Now empty the appliance and re-flush with fresh water.

Caution! Concentrations of water-softener above the permitted level can damage or even destroy the container seal!

Please do not use vinegar.

2. Important notes on installation

2.1 General

All AEG water heaters are manufactured and tested in accordance with pertinent VDE regulations and DIN standards. They have been passed as safe in accordance with the German laws on technical equipment and bear the interference suppression symbol,  in compliance with DIN 44536 and also the 'splashproof symbol'. When installing the appliance, please observe the technical data given on the nameplate as well as the technical requirements of your local electricity and water boards.

2.2 Technical features

The water heater is equipped with a 5 litre water container and a three-way mixing valve which is fitted with a G ½ A (R ½) connecting thread. The appliance may be used only as an open, non-pressurized unit.

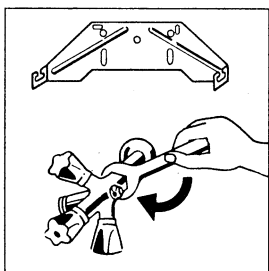
Thermofix E: Enamelled steel water container. Automatic switch-off in the „warm“ and „hot“ temperature ranges and continuous heating in the „boiling“ range.

Thermofix EL: Enamelled steel water container. Automatic switch-off in the „warm“ and „hot“ temperature ranges. In the „boiling“ range the appliance switches itself off automatically and switches itself on again when the temperature drops below boiling point.

Thermofix GL: Glass water container, temperature control as on Thermofix EL.

2.3 Installing the appliance

The water heater should be installed only in a room which is free from frost. If the appliance is nevertheless exposed to frost, make sure that it is completely emptied.



Securing the wall mounting bracket

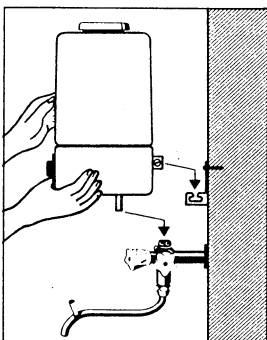
Using the mounting template supplied, mark the positions of the screwholes for fixing the wall mounting bracket. Now fix the bracket to the wall by means of wall plugs and suitable woodscrews, making sure that the bracket is perfectly horizontal. The oblong holes permit lateral and vertical adjustment.

Important! If the water heater is to replace an appliance of another make, you can use a universal wall suspension bracket which is available as an accessory (E-No. 612 899 300, illustration on page 14). If this wall suspension bracket is used, there will be **need to drill new mounting holes.**

Fitting the three-way mixing valve

The mixing valve is fitted with a DIN ISO 288 G ½ A thread for connection to the water supply.

The thread must be properly wound with hemp or silicon sealing tape. Slide the cover plate over the water pipe and then, using a suitable open-ended wrench, screw the mixing valve into the water pipe. With the last turn align the mixing valve in such a way that the flow control screw is pointing downwards. Attach the swivel spout to the underside of the mixing valve by means of the cap nut.

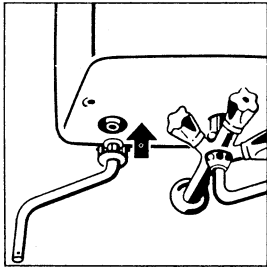


Fitting the water container

Push the cap nut of the pinch-type fitting, together with the washer and the expanding seal, onto the inlet and outlet tube of the water container.

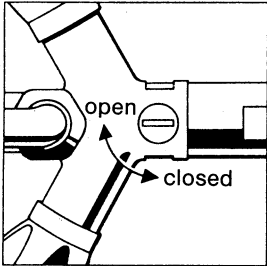
Attach the inlet and outlet tubes of the appliance to the mixing valve, at the same time guiding the screws of the rear angle bracket into the oblong holes of the wall mounting bracket.

The wall clearance and the vertical position of the appliance can be adjusted by means of the oblong holes. Once adjustment has been made, tighten the screws of the wall mounting bracket and the cap nut of the pinch-type fitting.



Fitting the overflow pipe

Slide the fixing bush over the end of the overflow pipe. Push the overflow pipe onto the outlet pipe which protrudes from the appliance housing and secure by pressing in the retaining rings.



Setting the flow control screw

In cases where the water pressure is extremely high, the inlet flow of the cold water can be reduced by means of the flow control screw. Turn the screw in the direction marked „closed“.

The cold water supply can be shut off completely by setting the slot of the flow control screw exactly at right angles to the direction of flow. Maximum flow rate is obtained by setting the slot of the flow control screw in line with the direction of flow.

In order to clean the flow control valve, turn the screw through an angle of 180 ° and flush thoroughly.

2.5 Electrical connection

The electrical connection must not be carried out until the appliance has been properly connected to the water supply.

When effecting the electrical connection pay particular attention to the requirements of your local electricity supply authority and any other generally applicable regulations (in Germany: VDE 0100).

The water heater is supplied with a connection lead of a length of approx. 0.5 m which is fitted with an earthed safety plug. It is advisable to provide the appliance with a separate electrical circuit.

2.6 Initial operation and control

Initial operation of the water heater must be carried out by a suitably qualified person who is responsible for ensuring that the work is done correctly and who can explain to the user how the appliance must be operated.

Correct operation should be ascertained during initial operation.

Important: Possible dirt and residues resulting from installation should be removed prior to initial operation by flushing the appliance thoroughly. Then fill the appliance with water, bring it to the boil and then flush it a second time.

After installing the appliance please hand this instruction manual to the user!

3. After-sales service

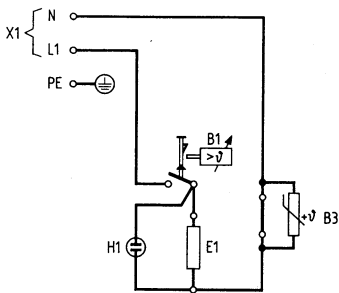
Complaints which arise through failure to observe these instructions cannot be acknowledged!

Any faults which are not mentioned in this instruction manual must be referred to our after-sales service department.

The list of addresses can be obtained from the guarantee conditions which accompany the unit.

It is essential that you state the model designation and the E-Number given on the nameplate in order to avoid unnecessary queries.

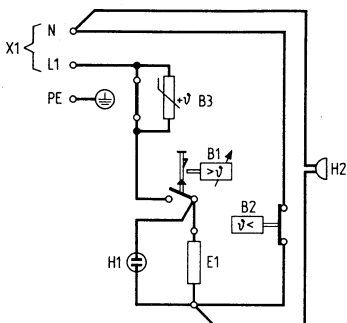
Wiring diagram for Thermofix E



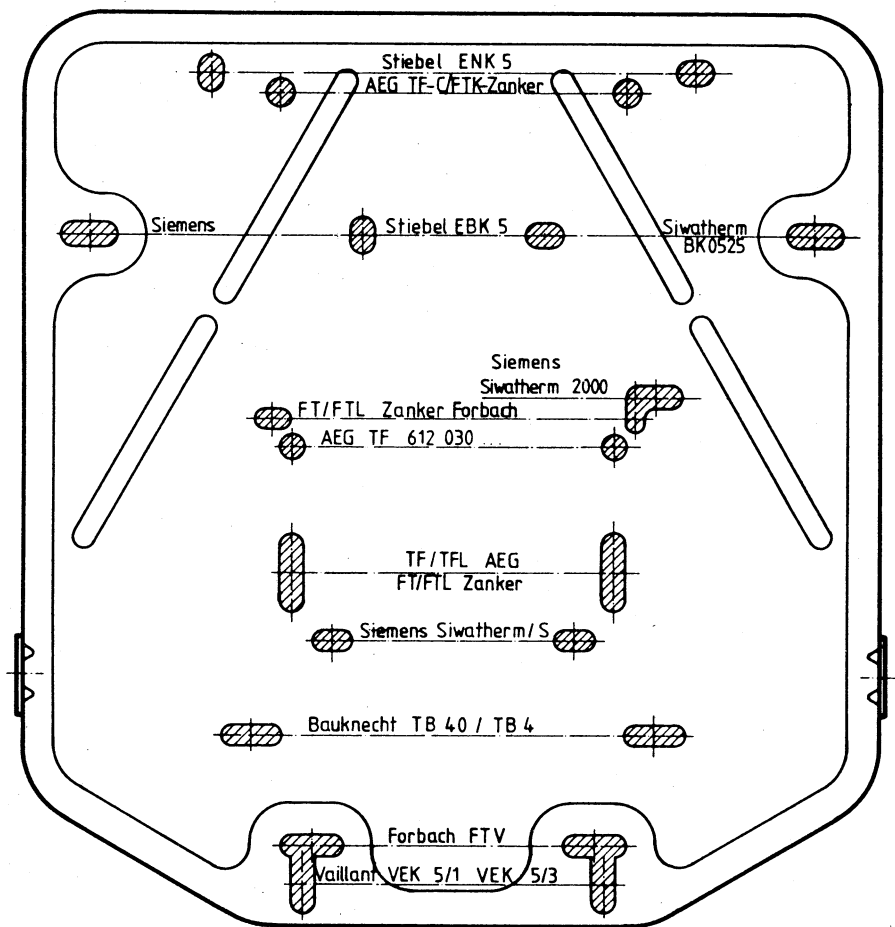
- Q = ON button for B1
- H1 = Indicating lamp,
- H2 = Buzzer
- E = Heating element
- X = Terminal board - 2-pole - inside appliance
- B1 = Temperature selection limiter
- B2 = Steam regulator
- B3 = Temperature control

662 250 730/13

Wiring diagram for Thermofix EL/GL



662 250 720/13



Universal-Wandaufhängung
Universal wall bracket

Free Manuals Download Website

<http://myh66.com>

<http://usermanuals.us>

<http://www.somanuals.com>

<http://www.4manuals.cc>

<http://www.manual-lib.com>

<http://www.404manual.com>

<http://www.luxmanual.com>

<http://aubethermostatmanual.com>

Golf course search by state

<http://golfingnear.com>

Email search by domain

<http://emailbydomain.com>

Auto manuals search

<http://auto.somanuals.com>

TV manuals search

<http://tv.somanuals.com>