
User's Guide

Publication Number 34970-90003 (*order as 34970-90101 manual set*)
Edition 3, March 2003

© Copyright Agilent Technologies, Inc. 1997-2003

For Safety information, Warranties, and Regulatory information,
see the pages following the Index.

Agilent 34970A Data Acquisition/Switch Unit

Note: *Unless otherwise indicated, this manual applies to all serial numbers.*

The Agilent Technologies 34970A combines precision measurement capability with flexible signal connections for your production and development test systems. Three module slots are built into the rear of the instrument to accept any combination of data acquisition or switching modules. The combination of data logging and data acquisition features makes this instrument a versatile solution for your testing requirements now and in the future.

Convenient Data Logging Features

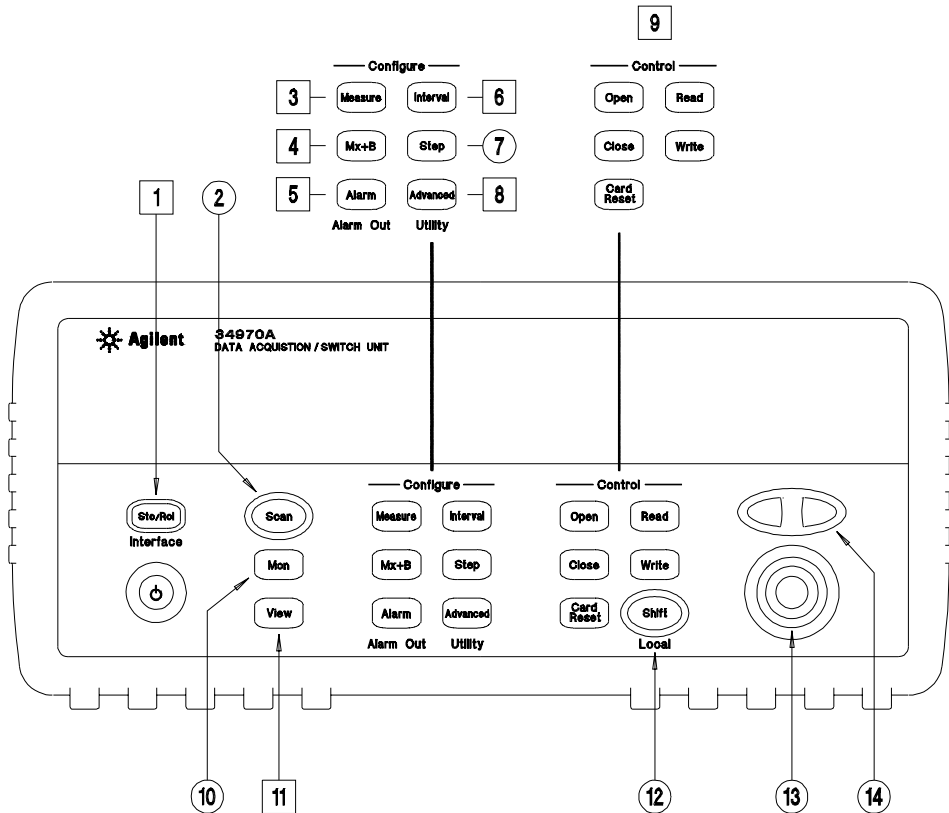
- Direct measurement of thermocouples, RTDs, thermistors, dc voltage, ac voltage, resistance, dc current, ac current, frequency, and period
- Interval scanning with storage of up to 50,000 time-stamped readings
- Independent channel configuration with function, Mx+B scaling, and alarm limits available on a per-channel basis
- Intuitive user interface with knob for quick channel selection, menu navigation, and data entry from the front panel
- Portable, ruggedized case with non-skid feet
- *BenchLink Data Logger Software* for Microsoft® Windows® included

Flexible Data Acquisition/Switching Features

- 6½-digit multimeter accuracy, stability, and noise rejection
- Up to 60 channels per instrument (120 single-ended channels)
- Reading rates up to 600 readings per second on a single channel and scan rates up to 250 channels per second
- Choice of multiplexing, matrix, general-purpose Form C switching, RF switching, digital I/O, totalize, and 16-bit analog output functions
- GPIB (IEEE-488) interface and RS-232 interface are standard
- SCPI (*Standard Commands for Programmable Instruments*) compatibility

Agilent 34970A Data Acquisition/Switch Unit

The Front Panel at a Glance

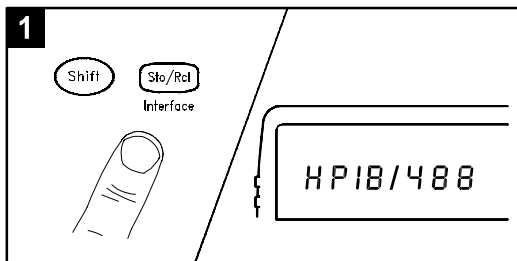


Denotes a menu key. See the next page for details on menu operation.

- | | |
|---|---|
| 1 State Storage / Remote Interface Menus | 8 Advanced Measurement / Utility Menus |
| 2 Scan Start / Stop Key | 9 Low-Level Module Control Keys |
| 3 Measurement Configuration Menu | 10 Single-Channel Monitor On / Off Key |
| 4 Scaling Configuration Menu | 11 View Scanned Data, Alarms, Errors Menu |
| 5 Alarm / Alarm Output Configuration Menu | 12 Shift / Local Key |
| 6 Scan-to-Scan Interval Menu | 13 Knob |
| 7 Scan List Single Step / Read Key | 14 Navigation Arrow Keys |

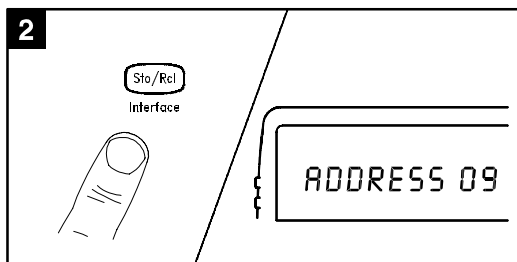
The Front-Panel Menus at a Glance

Several of the front-panel keys guide you through menus to configure various parameters of the instrument (see previous page). The following steps demonstrate the menu structure using the **Sto/Rcl** key.

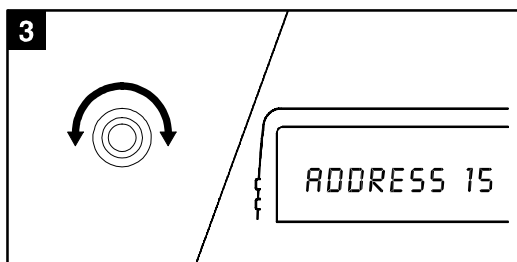


- 1 Press the menu key. You are automatically guided to the first level of the menu. Rotate the knob to view the other choices on the first level of the menu.

The menu will automatically timeout after about 20 seconds of inactivity. You will be returned to the operation in progress prior to entering the menu.

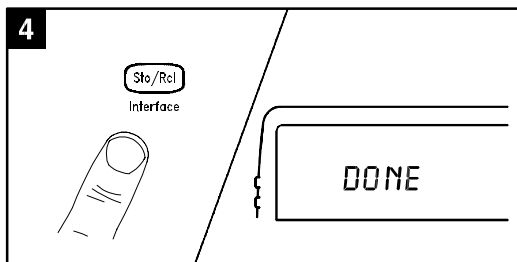


- 2 Press the *same* menu key again to move to the next item of the menu. Typically, this is where you choose parameter values for the selected operation.



- 3 Rotate the knob to view the choices on this level of the menu. When you reach the end of the list, rotate the knob in the opposite direction to view all of the other choices.

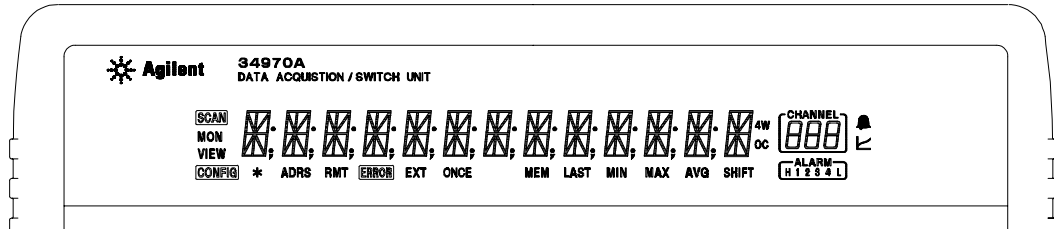
The current selection is highlighted for emphasis. All other choices are dimmed.



- 4 Press the *same* menu key again to accept the change and exit the menu. A brief confirmation message is displayed.

Tip: To review the current configuration of a specific menu, press the menu key several times. A message **NO CHANGES** is displayed when you exit the menu.

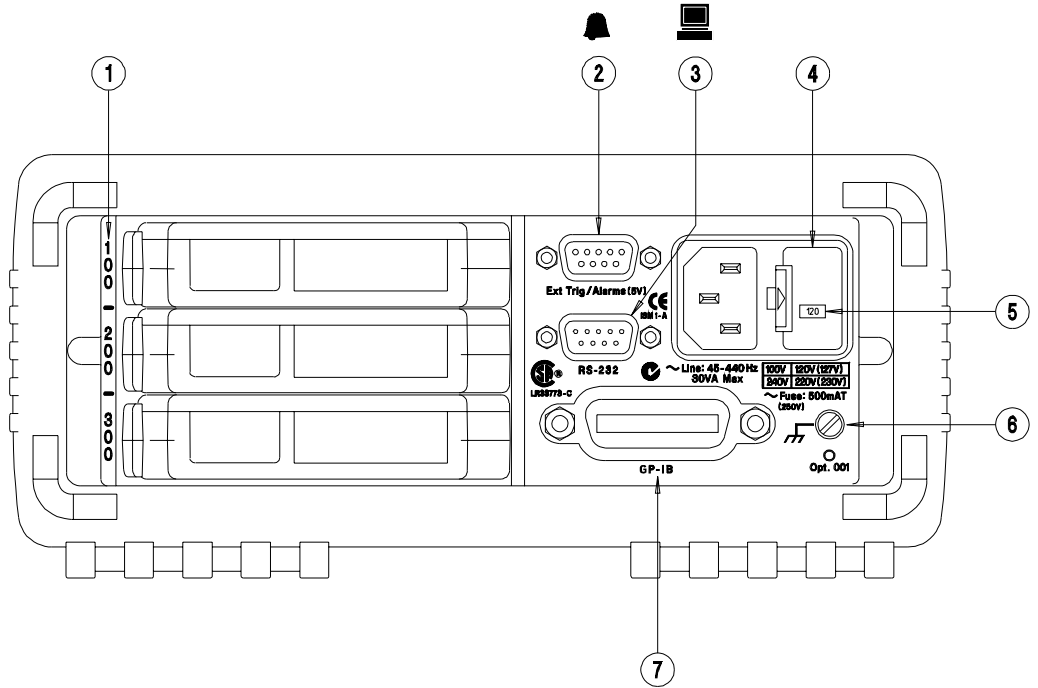
Display Annunciators



| | |
|---------------|--|
| SCAN | Scan is in progress or enabled. <i>Press and hold Scan again to turn off.</i> |
| MON | Monitor mode is enabled. <i>Press Mon again to turn off.</i> |
| VIEW | Scanned readings, alarms, errors, or relay cycles are being viewed. |
| CONFIG | Channel configuration is in progress on displayed channel. |
| * | Measurement is in progress. |
| ADRS | Instrument is addressed to listen or talk over the remote interface. |
| RMT | Instrument is in remote mode (remote interface). |
| ERROR | Hardware or remote interface errors are detected. <i>Press View to read errors.</i> |
| EXT | Instrument is configured for an external scan interval. |
| ONCE | Scan Once mode is enabled. <i>Press Scan to initiate and hold key to disable.</i> |
| MEM | Reading memory overflow; new readings will overwrite the oldest readings. |
| LAST | Viewed data is the <i>last</i> reading stored during most recent scan. |
| MIN | Viewed data is the <i>minimum</i> reading stored during most recent scan. |
| MAX | Viewed data is the <i>maximum</i> reading stored during most recent scan. |
| SHIFT | Shift has been pressed. <i>Press Shift again to turn off.</i> |
| 4W | 4-wire function is in use on displayed channel. |
| OC | Offset compensation is enabled on displayed channel. |
| | Alarms are enabled on displayed channel. |
| | Mx+B scaling is enabled on displayed channel. |
| | HI or LO alarm condition has occurred on indicated alarms. |

*To review the display annunciators, hold down the **Shift** key as you turn on the instrument.*

The Rear Panel at a Glance



-
- | | |
|--|--|
| 1 Slot Identifier (100, 200, 300) | 4 Power-Line Fuse-Holder Assembly |
| 2 Ext Trig Input / Alarm Outputs / Channel Advance Input / Channel Closed Output (for pinouts, see pages 83 and 128) | 5 Power-Line Voltage Setting |
| 3 RS-232 Interface Connector | 6 Chassis Ground Screw |
| | 7 GP-IB (IEEE-488) Interface Connector |

Use the **Interface** Menu to:

- Select the GP-IB or RS-232 interface (see chapter 2).
- Set the GP-IB address (see chapter 2).
- Set the RS-232 baud rate, parity, and flow control mode (see chapter 2).

WARNING

For protection from electrical shock, the power cord ground must not be defeated. If only a two-contact electrical outlet is available, connect the instrument's chassis ground screw (see above) to a good earth ground.

BenchLink Data Logger Software at a Glance

Agilent BenchLink Data Logger is a Windows-based application designed to make it easy to use the 34970A with your PC for gathering and analyzing measurements. Use the software to set up your test, acquire and archive measurement data, and perform real-time display and analysis of your incoming measurements.

BenchLink Data Logger's key functions include the following:

- Configure measurements on the spreadsheet-like *Scan Setup* page.
- Display measurements graphically using the real-time *Data Grid*, *Strip Chart*, *Readout*, *Bar Meter*, *XY Plot*, and *Histogram* windows.
- Add or configure graphics at any time.
- Use graphical controls to set output voltages, close channels, output digital values, or view alarms.
- Copy measurement data and graphics to a file or to the Clipboard for use in other applications.
- Add textual annotation and explanations to measurement results and test reports.
- Track readings on a single channel through the *Monitor* toolbar.
- Enter information into the *Event Log* automatically or manually while acquiring measurement data or during post-scan analysis.
- Print scan setups, event logs, and graphics.
- Communicate with the instrument using GPIB, RS-232, modem, or LAN (using a LAN-to-GPIB gateway).



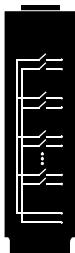
To install the software, refer to "Installing BenchLink Data Logger Software" on page 18.



To learn more about the software and its capabilities, refer to the On-Line Help System for BenchLink Data Logger.

The Plug-In Modules at a Glance

For complete specifications on each plug-in module, refer to the module sections in chapter 9.



34901A 20-Channel Armature Multiplexer

- 20 channels of 300 V switching
- Two channels for DC or AC current measurements (100 nA to 1A)
- Built-in thermocouple reference junction
- Switching speed of up to 60 channels per second
- Connects to the internal multimeter
- *For detailed information and a module diagram, see page 164.*

Each of the 20 channels switches both HI and LO inputs, thus providing fully isolated inputs to the internal multimeter. The module is divided into two banks of 10 two-wire channels each. When making four-wire resistance measurements, channels from *Bank A* are automatically paired with channels from *Bank B*. Two additional fused channels are included on the module (22 channels total) for making calibrated DC or AC current measurements with the internal multimeter (external shunt resistors are not required). You can close multiple channels on this module *only* if you have not configured any channels to be part of the scan list. Otherwise, all channels on the module are break-before-make.



34902A 16-Channel Reed Multiplexer

- 16 channels of 300 V switching
- Built-in thermocouple reference junction
- Switching speed of up to 250 channels per second
- Connects to the internal multimeter
- *For detailed information and a module diagram, see page 166.*

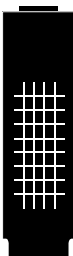
Use this module for high-speed scanning and high-throughput automated test applications. Each of the 16 channels switches both HI and LO inputs, thus providing fully isolated inputs to the internal multimeter. The module is divided into two banks of eight two-wire channels each. When making four-wire resistance measurements, channels from *Bank A* are automatically paired with channels from *Bank B*. You can close multiple channels on this module *only* if you have not configured any channels to be part of the scan list. Otherwise, all channels on the module are break-before-make.



34903A 20-Channel Actuator/General-Purpose Switch

- 300 V, 1 A actuation and switching
- SPDT (Form C) latching relays
- Breadboard area for custom circuits
- *For detailed information and a module diagram, see page 168.*

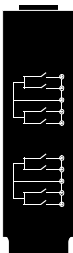
Use this module for those applications that require high-integrity contacts or quality connections of non-multiplexed signals. This module can switch 300 V, 1 A (50 W maximum switch power) to your device under test or to actuate external devices. Screw terminals on the module provide access to the Normally-Open, Normally-Closed, and Common contacts for each of the 20 switches. A breadboard area is provided near the screw terminals to implement custom circuitry, such as simple filters, snubbers, or voltage dividers.



34904A 4x8 Two-Wire Matrix Switch

- 32 two-wire crosspoints
- Any combination of inputs and outputs can be connected at a time
- 300 V, 1 A switching
- *For detailed information and a module diagram, see page 170.*

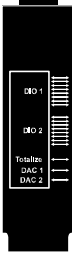
Use this module to connect multiple instruments to multiple points on your device under test at the same time. You can connect rows and columns between multiple modules to build larger matrices such as 8x8 and 4x16, with up to 96 crosspoints in a single mainframe.



34905/6A Dual 4-Channel RF Multiplexers

- 34905A (50 Ω) / 34906A (75 Ω)
- 2 GHz bandwidth with on-board SMB connections
- 1 GHz bandwidth with SMB-to-BNC adapter cables provided
- *For detailed information and a module diagram, see page 172.*

These modules offer wideband switching capabilities for high frequency and pulsed signals. Each module is organized in two independent banks of 4-to-1 multiplexers. Both modules offer low crosstalk and excellent insertion loss performance. To create larger RF multiplexers, you can cascade multiple banks together. Only one channel in each bank may be closed at a time.



34907A Multifunction Module

- Two 8-bit Digital Input/Output ports, 400 mA sink, 42 V open collector
- 100 kHz Totalize input with 1 V_{pp} sensitivity
- Two ± 12 V Calibrated Analog Outputs
- *For detailed information and module block diagrams, see page 174.*

Use this module to sense status and control external devices such as solenoids, power relays, and microwave switches. For greater flexibility, you can read digital inputs and the count on the totalizer during a scan.



34908A 40-Channel Single-Ended Multiplexer

- 40 channels of 300 V single-ended (common LO) switching
- Built-in thermocouple reference junction
- Switching speed of up to 60 channels per second
- Connects to the internal multimeter
- *For detailed information and a module diagram, see page 176.*

Use this module for high-density switching applications which require single-wire inputs with a common LO. All relays are break-before-make to ensure that only one relay is connected at any time.

In This Book

Quick Start Chapter 1 helps you get familiar with a few of the instrument's front-panel features. This chapter also shows how to install the *BenchLink Data Logger* software.

Front-Panel Overview Chapter 2 introduces you to the front-panel menus and describes some of the instrument's menu features.

System Overview Chapter 3 gives an overview of a data acquisition system and describes how parts of a system work together.

Features and Functions Chapter 4 gives a detailed description of the instrument's capabilities and operation. You will find this chapter useful whether you are operating the instrument from the front panel or over the remote interface.

Remote Interface Reference Chapter 5 contains reference information to help you program the instrument over the remote interface using the SCPI language.

Error Messages Chapter 6 lists the error messages that may appear as you are working with the instrument. Each listing contains enough information to help you diagnose and solve the problem.

Application Programs Chapter 7 contains several remote interface program examples to help you develop programs for your application.

Tutorial Chapter 8 discusses measurement considerations and techniques to help you obtain the best accuracies and reduce sources of measurement noise.

Specifications Chapter 9 lists the technical specifications for the mainframe and plug-in modules.



*If you have questions relating to the operation of the 34970A, call **1-800-452-4844** in the United States, or contact your nearest Agilent Technologies Sales Office.*

*If your 34970A fails within three years of original purchase, Agilent will either repair or replace it free of charge. Call **1-877-447-7278** and ask for "Express Exchange" or contact your local Agilent office.*

Contents

Chapter 1 Quick Start

- To Prepare the Instrument for Use 17
- Installing BenchLink Data Logger Software 18
- To Connect Wiring to a Module 20
- To Set the Time and Date 22
- To Configure a Channel for Scanning 23
- To Copy a Channel Configuration 25
- To Close a Channel 26
- If the Instrument Does Not Turn On 27
- To Adjust the Carrying Handle 29
- To Rack Mount the Instrument 30

Chapter 2 Front-Panel Overview

- Front-Panel Menu Reference 35
- To Monitor a Single Channel 37
- To Set a Scan Interval 38
- To Apply Mx+B Scaling to Measurements 39
- To Configure Alarm Limits 40
- To Read a Digital Input Port 42
- To Write to a Digital Output Port 43
- To Read the Totalizer Count 44
- To Output a DC Voltage 45
- To Configure the Remote Interface 46
- To Store the Instrument State 48

Chapter 3 System Overview

- Data Acquisition System Overview 50
- Signal Routing and Switching 57
- Measurement Input 60
- Control Output 67

Chapter 4 Features and Functions

| | |
|--|-----|
| SCPI Language Conventions | 73 |
| Scanning | 74 |
| Single-Channel Monitoring | 93 |
| Scanning With External Instruments | 95 |
| General Measurement Configuration | 98 |
| Temperature Measurement Configuration | 106 |
| Voltage Measurement Configuration | 113 |
| Resistance Measurement Configuration | 115 |
| Current Measurement Configuration | 116 |
| Frequency Measurement Configuration | 118 |
| Mx+B Scaling | 119 |
| Alarm Limits | 122 |
| Digital Input Operations | 133 |
| Totalizer Operations | 135 |
| Digital Output Operations | 138 |
| DAC Output Operations | 139 |
| System-Related Operations | 140 |
| Remote Interface Configuration | 150 |
| Calibration Overview | 155 |
| Factory Reset State | 160 |
| Instrument Preset State | 161 |
| Multiplexer Module Default Settings | 162 |
| Module Overview | 163 |
| 34901A 20-Channel Multiplexer | 164 |
| 34902A 16-Channel Multiplexer | 166 |
| 34903A 20-Channel Actuator | 168 |
| 34904A 4x8 Matrix Switch | 170 |
| 34905A/6A Dual 4-Channel RF Multiplexers | 172 |
| 34907A Multifunction Module | 174 |
| 34908A 40-Channel Single-Ended Multiplexer | 176 |

Chapter 5 Remote Interface Reference

| | |
|---|-----|
| SCPI Command Summary | 181 |
| Simplified Programming Overview | 201 |
| The MEASure? and CONFigure Commands | 207 |
| Setting the Function, Range, and Resolution | 214 |
| Temperature Configuration Commands | 219 |
| Voltage Configuration Commands | 223 |
| Resistance Configuration Commands | 224 |
| Current Configuration Commands | 224 |
| Frequency Configuration Commands | 225 |
| Scanning Overview | 226 |
| Single-Channel Monitoring Overview | 237 |
| Scanning With an External Instrument | 239 |
| Mx+B Scaling Overview | 244 |
| Alarm System Overview | 247 |
| Digital Input Commands | 255 |
| Totalizer Commands | 256 |
| Digital Output Commands | 258 |
| DAC Output Commands | 258 |
| Switch Control Commands | 259 |
| State Storage Commands | 261 |
| System-Related Commands | 264 |
| Interface Configuration Commands | 269 |
| RS-232 Interface Configuration | 270 |
| Modem Communications | 274 |
| The SCPI Status System | 275 |
| Status System Commands | 286 |
| Calibration Commands | 292 |
| Service-Related Commands | 294 |
| An Introduction to the SCPI Language | 296 |
| Using Device Clear | 302 |

Chapter 6 Error Messages

| | |
|-----------------------|-----|
| Execution Errors | 305 |
| Instrument Errors | 309 |
| Self-Test Errors | 314 |
| Calibration Errors | 315 |
| Plug-In Module Errors | 317 |

Contents

Chapter 7 Application Programs

- Example Programs for Excel 7.0 321
- Example Programs for C and C++ 328

Chapter 8 Tutorial

- System Cabling and Connections 335
- Measurement Fundamentals 343
- Low-Level Signal Multiplexing 378
- Actuators and General-Purpose Switching 384
- Matrix Switching 388
- RF Signal Multiplexing 390
- Multifunction Module 392
- Relay Life and Preventative Maintenance 399

Chapter 9 Specifications




- DC, Resistance, and Temperature Accuracy Specifications 404
- DC Measurement and Operating Characteristics 405
- AC Accuracy Specifications 406
- AC Measurement and Operating Characteristics 407
- Measurement Rates and System Characteristics 408
- Module Specifications 409
- BenchLink Data Logger Software Specifications 412
- Product and Module Dimensions 413
- To Calculate Total Measurement Error 414
- Interpreting Internal DMM Specifications 416
- Configuring for Highest Accuracy Measurements 419


Index

Quick Start

Quick Start

One of the first things you will want to do with your instrument is to become acquainted with the front panel. We have written the exercises in this chapter to prepare the instrument for use and help you get familiar with some of its front-panel operations.

The front panel has several groups of keys to select various functions and operations. A few keys have a *shifted* function printed in blue below the key. To perform a shifted function, press  (the **SHIFT** annunciator will turn on). Then, press the key that has the desired label below it. For example, to select the Utility Menu, press  .

If you accidentally press , just press it again to turn off the **SHIFT** annunciator.

This chapter is divided into the following sections:

- To Prepare the Instrument for Use, *on page 17*
- Installing BenchLink Data Logger Software, *on page 18*
- To Connect Wiring to a Module, *on page 20*
- To Set the Time and Date, *on page 22*
- To Configure a Channel for Scanning, *on page 23*
- To Copy a Channel Configuration, *on page 25*
- To Close a Channel, *on page 26*
- If the Instrument Does Not Turn On, *on page 27*
- To Adjust the Carrying Handle, *on page 29*
- To Rack Mount the Instrument, *on page 30*

To Prepare the Instrument for Use

1 Check the list of supplied items.

Verify that you have received the following items with your instrument. If anything is missing, contact your nearest Agilent Technologies Sales Office.

- One power cord.
- This *User's Guide*.
- One *Service Guide*.
- One *Quick Reference Guide*.
- Certificate of Calibration (if you ordered the internal DMM).
- Quick Start Package (if you ordered the internal DMM):
 - One RS-232 cable.
 - BenchLink Data Logger Software CD-ROM.
To install the software, see page 18.
 - One J-type thermocouple and a flatblade screwdriver.
- Any plug-in modules that you ordered are delivered in a separate shipping container.




On/Standby
Switch


WARNING

*Note that this switch is **Standby** only. To disconnect the mains from the instrument, remove the power cord.*

2 Connect the power cord and turn on the instrument.

The front-panel display will light up briefly while the instrument performs its power-on self-test. The GPIB address is also displayed. The instrument initially powers up with all measurement channels turned off. To review the power-on display with all annunciators turned on, hold down  as you turn on the instrument. *If the instrument does not turn on properly, see page 27.*

3 Perform a *complete* self-test.

The *complete* self-test performs a more extensive set of tests than those performed at power-on. Hold down  as you turn on the instrument and *hold down the key until you hear a long beep*. The self-test will begin when you release the key following the beep.

If the self-test fails, see the 34970A Service Guide for instructions on returning the instrument to Agilent for service.

Installing BenchLink Data Logger Software

If you ordered the 34970A with the internal DMM, then the BenchLink Data Logger software is included. The software is shipped on one CD-ROM, but includes a utility to build installation floppy disks. To install the software on your PC, you will need a minimum of 12 MB of free disk space.

For system requirements and additional details on the features of the software, refer to the specifications in chapter 9.

Installation Procedure

If you are running Windows 95 or Windows NT 4.0®

1. Insert the CD-ROM into your drive.
2. Select **Settings | Control Panel** from the **Start** menu. Double-click on the **Add/Remove Programs** icon.
3. Select the **Install/Uninstall** tab on the **Add/Remove Programs** property sheet. Click on **Install** and follow the on-screen instructions.

If you are running Windows® 3.1

1. Insert the CD-ROM into your drive.
2. Select **File | Run** from the Program Manager menu bar.
3. Type `<drive>:\setup`, where *drive* is the letter representing your CD-ROM drive. Click **OK** to continue and follow the on-screen instructions.

Creating Installation Floppy Disks

You have the option to create an installation on floppy disks from the CD-ROM installation utility. This utility is provided so that you can install BenchLink Data Logger on a computer that does not have a CD-ROM drive.

Note: *You will need a total of five (5) formatted floppy disks to create an installation.*

1. Go to a computer that is equipped with a CD-ROM drive.
2. Start the installation procedure as described on the previous page.
3. Select **Create disks...** on the initial display of the installation procedures and follow the on-screen instructions.

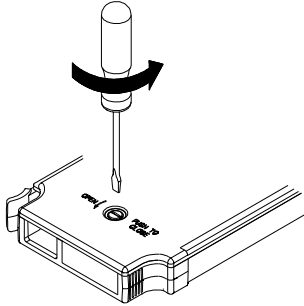
On-Line Help System



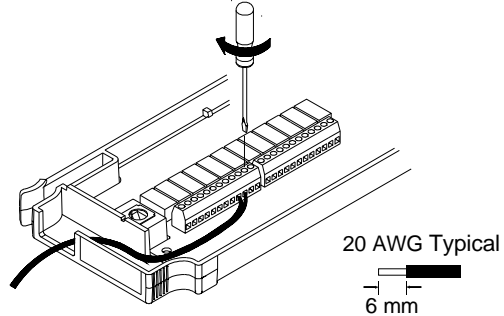
The software is shipped with an extensive on-line Help system to help you learn the features of the software as well as troubleshoot any problems that might arise as you are using the software. As you are installing the software, you will notice that the on-line Help system is available in several languages.

To Connect Wiring to a Module

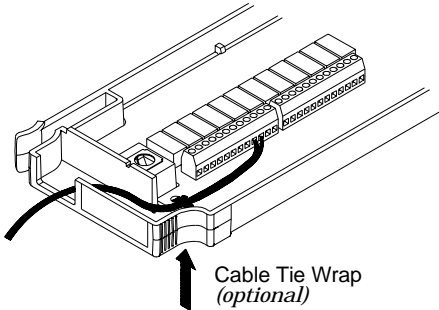
1 Remove the module cover.



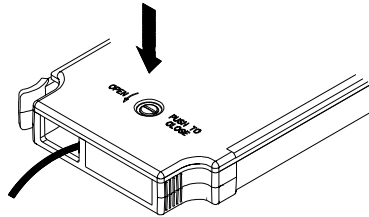
2 Connect wiring to the screw terminals.



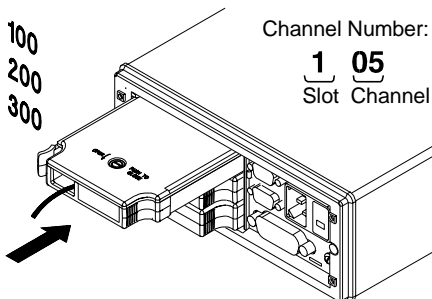
3 Route wiring through strain relief.



4 Replace the module cover.



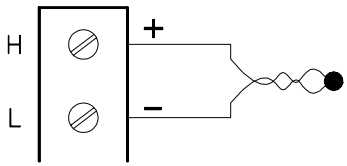
5 Install the module into mainframe.



Wiring Hints...

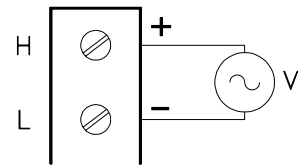
- For detailed information on each module, refer to the section starting on page 163.
- To reduce wear on the internal DMM relays, wire *like* functions on adjacent channels.
- For information on grounding and shielding, see page 335.
- The diagrams on the next page show how to connect wiring to a multiplexer module for each measurement function. →

Thermocouple



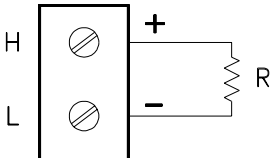
Thermocouple Types: B, E, J, K, N, R, S, T
 See page 351 for thermocouple color codes.

DC Voltage / AC Voltage / Frequency



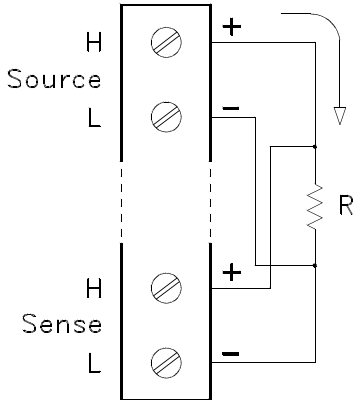
Ranges: 100 mV, 1 V, 10 V, 100 V, 300 V

2-Wire Ohms / RTD / Thermistor



Ranges: 100, 1 k, 10 k, 100 k, 1 M, 10 M, 100 MΩ
 RTD Types: 0.00385, 0.00391
 Thermistor Types: 2.2 k, 5 k, 10 k

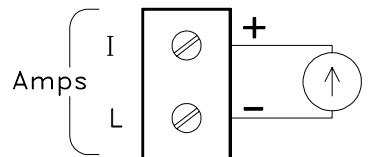
4-Wire Ohms / RTD



Channel *n* (source) is automatically paired with Channel *n+10* (sense) on the 34901A or Channel *n+8* (sense) on the 34902A.

Ranges: 100, 1 k, 10 k, 100 k, 1 M, 10 M, 100 MΩ
 RTD Types: 0.00385, 0.00391

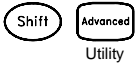
DC Current / AC Current





Valid only on channels 21 and 22 on the 34901A.
 Ranges: 10 mA, 100 mA, 1A

To Set the Time and Date

All readings during a scan are automatically time stamped and stored in non-volatile memory. In addition, alarm data is time stamped and stored in a separate non-volatile memory queue.





1 Set the time of day.

Use  and  to select the field to modify and turn the knob to change the value. You can also edit the AM/PM field.

TIME 03:45 PM



2 Set the date.

Use  and  to select the field to modify and turn the knob to change the value.

JUN 01 2002

To Configure a Channel for Scanning

Any channel that can be “read” by the instrument can also be included in a scan. This includes readings on multiplexer channels, a read of a digital port, or a read of the count on a totalizer channel. Automated scanning *is not* allowed with the RF multiplexer, matrix, actuator, digital output, or voltage output (DAC) modules.



1 Select the channel to be added to the scan list.


Turn the knob until the desired channel is shown on the right side of front-panel display. The channel number is a three-digit number; the left-most digit represents the slot number (**100**, **200**, or **300**) and the two digits on the right indicate the channel number (**102**, **110**, etc.).

Note: You can use ◁ and ▷ to skip to the beginning of the previous or next slot.

For this example, assume that you have the 34901A multiplexer installed in slot 100 and select channel 103.




2 Select the measurement parameters for the selected channel.

Use the knob to scroll through the measurement choices on each level of the menu. When you press  to make your selection, the menu automatically guides you through all relevant choices to configure a measurement on the selected function. When you have finished configuring the parameters, you are automatically exited from the menu.

The current selection (or default) is displayed in full bright for easy identification. When you make a different selection, the new choice is shown in full bright and it becomes the default selection. The order of the choices always remains the same; however, you always enter the menu at the current (full bright) setting for each parameter.

Note: The menu will timeout after about 20 seconds of inactivity and any changes made previously will take effect.

For this example, configure channel 103 to measure a J-type thermocouple with 0.1 °C of display resolution.

Note: Press  to sequentially step through the scan list and take a measurement on each channel (readings are not stored in memory). This is an easy way to verify your wiring connections before initiating the scan.



3 Run the scan and store the readings in non-volatile memory.




The instrument automatically scans the configured channels in consecutive order from slot 100 through slot 300 (the **SCAN** annunciator turns on). Channels that are not configured are skipped during the scan. In the default configuration, the instrument continuously scans the configured channels at a 10-second interval.




Press and hold  to stop the scan.



4 View the data from the scan.

All readings taken during a scan are automatically time stamped and stored in non-volatile memory. During the scan, the instrument calculates and stores the minimum, maximum, and average on all channels in the scan list. You can read the contents of memory at any time, even during a scan.

From the front panel, data is available for the last 100 readings on each channel readings taken during a scan (all of the data is available from the remote interface). From the *View* menu, select READINGS and press  again. Then press  and  to choose the data you want to view for the selected channel as shown in the table below.

|  |  and  |
|---|--|
| Select Channel | Last Reading on Channel Time of Last Reading Minimum Reading on Channel Time of Minimum Reading Maximum Reading on Channel Time of Maximum Reading Average of Readings on Channel Second Most Recent Reading on Channel Third Most Recent Reading on Channel ⋮ 99th Most Recent Reading on Channel |

To Copy a Channel Configuration

After configuring a channel to be included in the scan list, you can copy that same configuration to other channels in the instrument (including digital channels on the multifunction module). This feature makes it easy to configure several channels for the same measurement. When you copy the configuration from one channel to another, the following parameters are automatically copied to the new channel:

- Measurement configuration
- Mx+B scaling configuration
- Alarm configuration
- Advanced measurement configuration




1 Select the channel to copy the configuration *from*.

Turn the knob until the desired channel is shown on the right side of front-panel display. For this example, let's copy the configuration from channel 103.



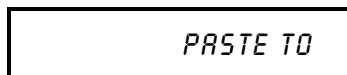
2 Select the copy function.

Use the knob to scroll through the measurement choices until you see COPY CONFIG. When you press  to make your selection, the menu automatically guides you to the next step.



3 Select the channel to copy the configuration *to*.

Turn the knob until the desired channel is shown on the right side of front-panel display. For this example, let's copy the configuration to channel 105.



4 Copy the channel configuration to the selected channel.

Note: To copy the same configuration to other channels, repeat this procedure.

To Close a Channel

On the multiplexer and switch modules, you can close and open individual relays on the module. However, note that if you have already configured any multiplexer channels for scanning, you cannot independently close and open individual relays on that module.



1 Select the channel.


Turn the knob until the desired channel is shown on the right side of front-panel display. For this example, select channel 213.









2 Close the selected channel.



3 Open the selected channel.

Note:  will sequentially open all channels on the module in the selected slot.

The table below shows the low-level control operations available for each of the plug-in modules.

| Plug-In Module |  |  |  |  |  |  |
|---|---|---|---|--|---|---|
| 34901A 20-Channel Mux | • | • | • | | • | |
| 34902A 16-Channel Mux | • | • | • | | • | |
| 34908A 40-Channel Single-Ended Mux ^[1] | • | • | • | | • | |
| 34903A 20-Channel Actuator | • | • | | | | |
| 34904A 4x8 Matrix | • | • | | | | |
| 34905A Dual 4-Channel RF Mux (50Ω) ^[2] | • | | | | | |
| 34906A Dual 4-Channel RF Mux (75Ω) ^[2] | • | | | | | |
| 34907A Multifunction Module (DIO) | | | • | • | • | |
| 34907A Multifunction Module (Totalizer) | | | • | | • | |
| 34907A Multifunction Module (DAC) | | | | • | | |

[1] Only one channel can be closed at a time on this module.


[2] Only one channel in each bank can be closed at a time on this module.

If the Instrument Does Not Turn On

Use the following steps to help solve problems you might encounter when turning on the instrument. If you need more help, refer to the *34970A Service Guide* for instructions on returning the instrument to Agilent for service.

1 Verify that there is ac power to the instrument.

First, verify that the power cord is firmly plugged into the power receptacle on the rear panel of the instrument. You should also make sure that the power source you plugged the instrument into is energized. Then, verify that the instrument is turned on.

The On/Standby switch  is located on the lower left side of the front panel.

2 Verify the power-line voltage setting.

The line voltage is set to the proper value for your country when the instrument is shipped from the factory. Change the voltage setting if it is not correct. The settings are: 100, 120, 220, or 240 Vac.

Note: For 127 Vac operation, use the 120 Vac setting.
For 230 Vac operation, use the 220 Vac setting.

See the next page if you need to change the line voltage setting.

3 Verify that the power-line fuse is good.

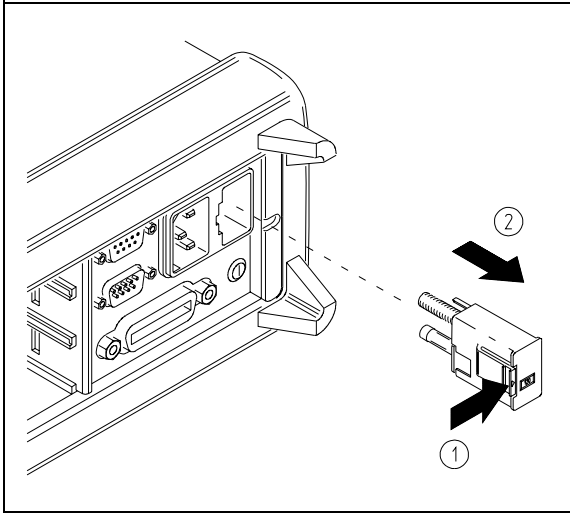
The instrument is shipped from the factory with a 500 mA fuse installed. This is the correct fuse for all line voltages.

See the next page if you need to replace the power-line fuse.

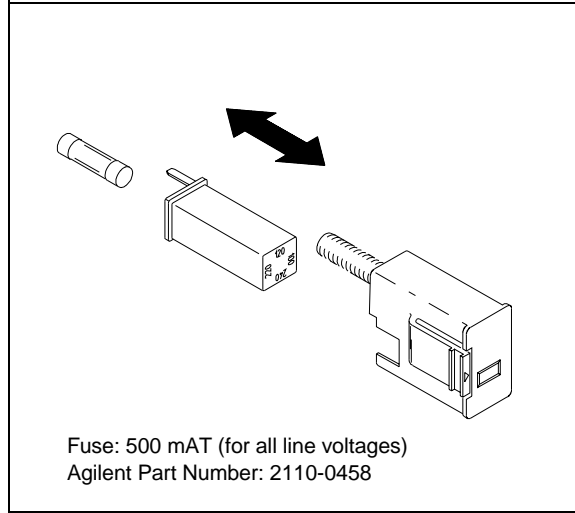
To replace the 500 mA, 250 V fuse, order Agilent part number 2110-0458.

Chapter 1 Quick Start
If the Instrument Does Not Turn On

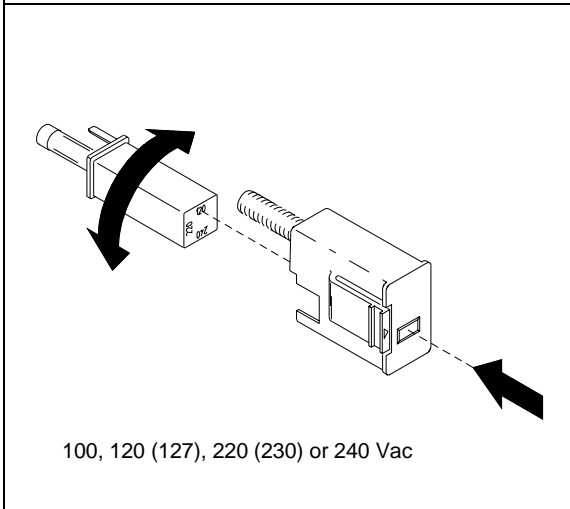
- 1 Remove the power cord.** Remove the fuse-holder assembly from the rear panel.



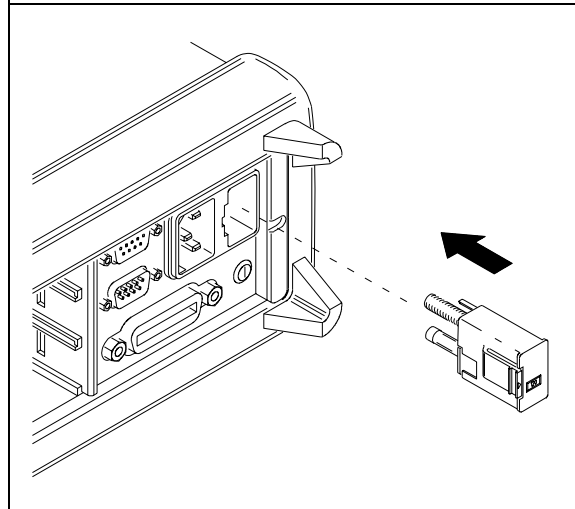
- 2 Remove the line-voltage selector from the assembly.**



- 3 Rotate the line-voltage selector until the correct voltage appears in the window.**



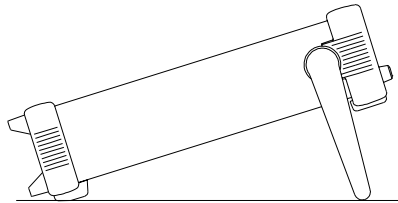
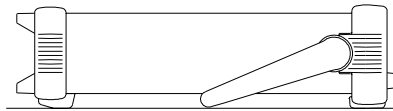
- 4 Replace the fuse-holder assembly in the rear panel.**



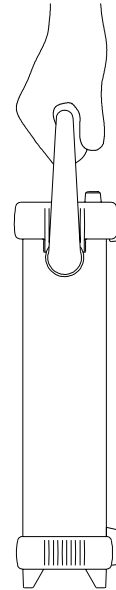
Verify that the correct line voltage is selected and the power-line fuse is good.

To Adjust the Carrying Handle

To adjust the position, grasp the handle by the sides and *pull outward*. Then, rotate the handle to the desired position.



Bench-top viewing positions

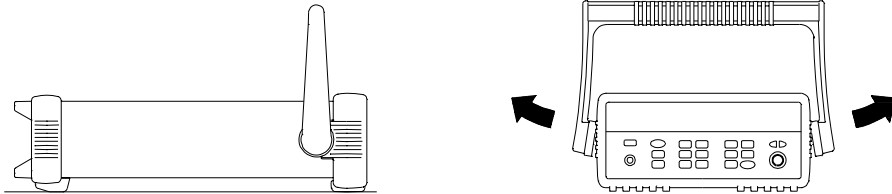


Carrying position

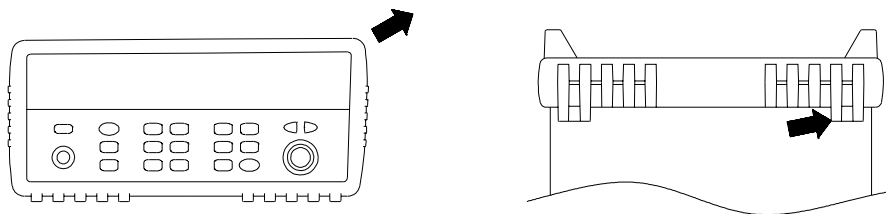
To Rack Mount the Instrument

You can mount the instrument in a standard 19-inch rack cabinet using one of three optional kits available. Instructions and mounting hardware are included with each rack-mounting kit. Any Agilent *System II* instrument of the same size can be rack-mounted beside the 34970A.

Note: Remove the carrying handle, and the front and rear rubber bumpers, before rack-mounting the instrument.



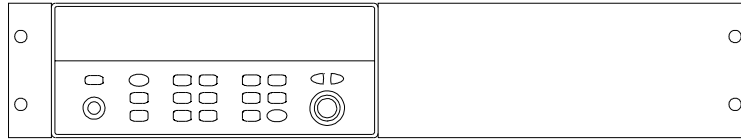
To remove the handle, rotate it to the vertical position and pull the ends outward.



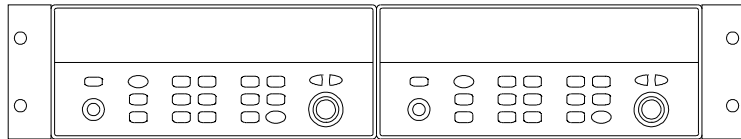
Front

Rear (bottom view)

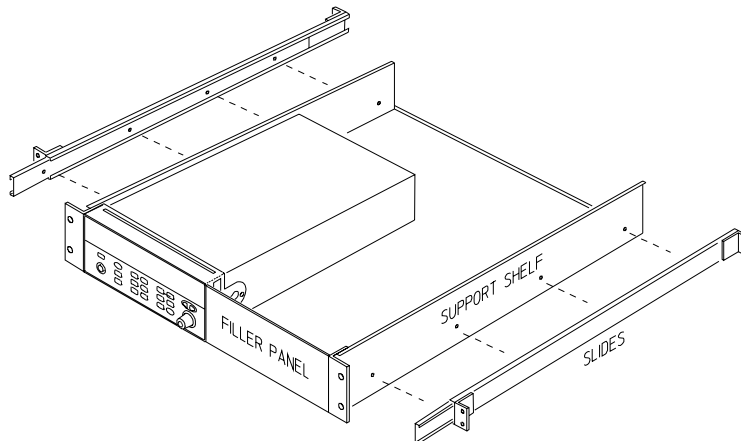
To remove the rubber bumper, stretch a corner and then slide it off.



To rack mount a single instrument, order adapter kit 5063-9240.



To rack mount two instruments side-by-side, order lock-link kit 5061-9694 and flange kit 5063-9212. Be sure to use the support rails inside the rack cabinet.



To install one or two instruments in a sliding support shelf, order shelf 5063-9255, and slide kit 1494-0015 (for a single instrument, also order filler panel 5002-3999).

Front-Panel Overview

Front-Panel Overview

This chapter introduces you to the front-panel keys and menu operation. This chapter does not give a detailed description of every front-panel key or menu operation. It does, however, give you a good overview of the front-panel menu and many front-panel operations. See chapter 4 “Features and Functions,” starting on page 71, for a complete discussion of the instrument’s capabilities and operation.

This chapter is divided into the following sections:

- Front-Panel Menu Reference, *on page 35*
- To Monitor a Single Channel, *on page 37*
- To Set a Scan Interval, *on page 38*
- To Apply Mx+B Scaling to Measurements, *on page 39*
- To Configure Alarm Limits, *on page 40*
- To Read a Digital Input Port, *on page 42*
- To Write to a Digital Output Port, *on page 43*
- To Read the Totalizer Count, *on page 44*
- To Output a DC Voltage, *on page 45*
- To Configure the Remote Interface, *on page 46*
- To Store the Instrument State, *on page 48*

Front-Panel Menu Reference

This section gives an overview of the front-panel menus. The menus are designed to automatically guide you through all parameters required to configure a particular function or operation. The remainder of this chapter shows examples of using the front-panel menus.

Measure

Configure the measurement parameters on the displayed channel.

- Select measurement function (dc volts, ohms, etc.) on the displayed channel.
- Select transducer type for temperature measurements.
- Select units (°C, °F, or K) for temperature measurements.
- Select measurement range or autorange.
- Select measurement resolution.
- Copy and paste measurement configuration to other channels.

Mx+B

Configure the scaling parameters for the displayed channel.

- Set the gain (“M”) and offset (“B”) value for the displayed channel.
- Make a null measurement and store it as the offset value.
- Specify a custom label (RPM, PSI, etc.) for the displayed channel.

Alarm

Configure alarms on the displayed channel.

- Select one of four alarms to report alarm conditions on the displayed channel.
- Configure a high limit, low limit, or both for the displayed channel.
- Configure a bit pattern which will generate an alarm (digital input only).

Alarm Out

Configure the four Alarm Output hardware lines.

- Clear the state of the four alarm output lines.
- Select the “Latch” or “Track” mode for the four alarm output lines.
- Select the slope (rising or falling edge) for the four alarm output lines.

Interval

Configure the event or action that controls the scan interval.

- Select the scan interval mode (interval, manual, external, or alarm).
- Select the scan count.

Advanced

Configure the advanced measurement features on displayed channel.

- Set the integration time for measurements on the displayed channel.
- Set the channel-to-channel delay for scanning.
- Enable/disable the thermocouple check feature (T/C measurements only).
- Select the reference junction source (T/C measurements only).
- Set the low frequency limit (ac measurements only).
- Enable/disable offset compensation (resistance measurements only).
- Select the binary or decimal mode for digital operations (digital input/output only).
- Configure the totalizer reset mode (totalizer only).
- Select which edge is detected (rising or falling) for totalizer operations.

Utility

Configure system-related instrument parameters.

- Set the real-time system clock and calendar.
- Query the firmware revisions for the mainframe and installed modules.
- Select the instrument's power-on configuration (last or factory reset).
- Enable/disable the internal DMM.
- Secure/unsecure the instrument for calibration.

View

View readings, alarms, and errors.

- View the last 100 scanned readings from memory (last, min, max, and average).
- View the first 20 alarms in the alarm queue (reading and time alarm occurred).
- View up to 10 errors in the error queue.
- Read the number of cycles for the displayed relay (relay maintenance feature).

Sto/Rcl

Store and recall instrument states.

- Store up to five instrument states in non-volatile memory.
- Assign a name to each storage location.
- Recall stored states, power-down state, factory reset state, or preset state.

Interface

Configure the remote interface.

- Select the GPIB address.
- Configure the RS-232 interface (baud rate, parity, and flow control).

To Monitor a Single Channel

You can use the *Monitor* function to continuously take readings on a single channel, even during a scan. This feature is useful for troubleshooting your system before a test or for watching an important signal.




1 Select the channel to be monitored.

Only one channel can be monitored at a time but you can change the channel being monitored at any time by turning the knob.



2 Enable monitoring on the selected channel.

Any channel that can be “read” by the instrument can be monitored (the **MON** annunciator turns on). This includes any combination of temperature, voltage, resistance, current, frequency, or period measurements on multiplexer channels. You can also monitor a digital input port or the totalizer count on the multifunction module.

To disable monitoring, press  again.

To Set a Scan Interval

You can set the instrument's internal timer to automatically scan at a specific interval (e.g., start a new scan sweep every 10 seconds) or when an external TTL trigger pulse is received. You can configure the instrument to scan continuously or to stop after sweeping through the scan list a specified number of times.

Interval

1 Select the interval scan mode.

For this example, select the *Interval Scan* mode which allows you to set the time from the start of one scan sweep to the start of the next scan sweep. Set the interval to any value between 0 and 99 hours.




INTERVAL SCAN

Interval

2 Select the scan count.

You can specify the number of times that the instrument will sweep through the scan list (the default is continuous). When the specified number of sweeps have occurred, the scan stops. Set the scan count to any number between 1 and 50,000 scans (or continuous).



00020 SCANS

Scan

3 Run the scan and store the readings in memory.

To Apply Mx+B Scaling to Measurements

The scaling function allows you to apply a *gain* and *offset* to all readings on a specified multiplexer channel during a scan. In addition to setting the gain (“M”) and offset (“B”) values, you can also specify a custom measurement label for your scaled readings (RPM, PSI, etc.).

Measure

1 Configure the channel.

You must configure the channel (function, transducer type, etc.) before applying any scaling values. If you change the measurement configuration, scaling is turned off on that channel and the gain and offset values are reset (M=1 and B=0).

Mx+B

2 Set the gain and offset values.

The scaling values are stored in *non-volatile* memory for the specified channels. A Factory Reset turns off scaling and clears the scaling values on all channels. An Instrument Preset or Card Reset *does not* clear the scaling values and *does not* turn off scaling.

+1.000,000

Set Gain

+0.000,000 VDC

Set Offset

Mx+B

3 Select the custom label.

You can specify an optional three-character label for your scaled readings (RPM, PSI, etc.). The default label is the standard engineering unit for the selected function (VDC, OHM, etc.).

LABEL AS LBS

Scan

4 Run the scan and store the scaled readings in memory.

To Configure Alarm Limits

The instrument has four alarms which you can configure to alert you when a reading exceeds specified limits on a channel during a scan. You can assign a high limit, a low limit, or both to any configured channel in the scan list. You can assign multiple channels to any of the four available alarms (numbered 1 through 4).

Measure

1 Configure the channel.

You must configure the channel (function, transducer type, etc.) before setting any alarm limits. If you change the measurement configuration, alarms are turned off and the limit values are cleared. If you plan to use Mx+B scaling on a channel which will also use alarms, *be sure to configure the scaling values first.*

Alarm

2 Select which of the four alarms you want to use.

USE ALARM 1

Alarm

3 Select the alarm mode on the selected channel.


You can configure the instrument to generate an alarm when a measurement exceeds the specified HI or LO limits (or both) on a measurement channel.

HI ALARM ONLY

Alarm

4 Set the limit value.

The alarm limit values are stored in *non-volatile* memory for the specified channels. The default values for the high and low limits are “0”. The low limit must always be less than or equal to the high limit, even if you are using only one of the limits. A Factory Reset clears all alarm limits and turns off all alarms. An Instrument Preset or Card Reset *does not* clear the alarm limits and *does not* turn off alarms.



+0.250,000 °C

Scan

5 Run the scan and store the readings in memory.

If an alarm occurs on a channel as it is being scanned, then that channel's alarm status is stored in reading memory as the readings are taken. Each time you start a new scan, the instrument clears all readings (including alarm data) stored in reading memory from the previous scan. As alarms are generated, they are also logged in an *alarm queue*, which is separate from reading memory. Up to 20 alarms can be logged in the alarm queue. Reading the alarm queue using the *View* menu clears the alarms in the queue.

To Read a Digital Input Port

The multifunction module (34907A) has two non-isolated 8-bit input/output ports which you can use for reading digital patterns. You can read the live status of the bits on the port or you can configure a scan to include a digital read.




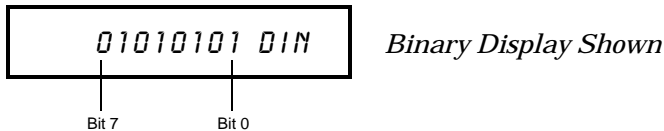
1 Select the Digital Input port.

Select the slot containing the multifunction module and continue turning the knob until DIN is displayed (channel 01 or 02).




2 Read the specified port.

You can specify whether you want to use binary or decimal format. Once you have selected the number base, it is used for all input or output operations on the same port. To change the number base, press the  key and select USE BINARY or USE DECIMAL.



The bit pattern read from the port will be displayed until you press another key, turn the knob, or until the display times out.

Note: To add a digital input channel to a scan list, press  and select the DIO READ choice.

To Write to a Digital Output Port

The multifunction module (34907A) has two non-isolated 8-bit input/output ports which you can use for outputting digital patterns.



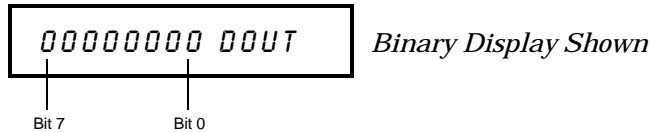
1 Select the Digital Output port.

Select the slot containing the multifunction module and continue turning the knob until DIN is displayed (channel 01 or 02).




2 Enter the bit pattern editor.

Notice that the port is now converted to an output port (DOUT).



3 Edit the bit pattern.

Use the knob and ◀ or ▶ keys to edit the individual bit values. You can specify whether you want to use binary or decimal format. Once you have selected the number base, it is used for all input or output operations on the same port. To change the number base, press the  key and select USE BINARY or USE DECIMAL.



4 Output the bit pattern to the specified port.

The specified bit pattern is latched on the specified port. To cancel an output operation in progress, wait for the display to time out.

To Read the Totalizer Count

The multifunction module (34907A) has a 26-bit totalizer which can count pulses at a 100 kHz rate. You can manually read the totalizer count or you can configure a scan to read the count.



1 Select the totalizer channel.

Select the slot containing the multifunction module and continue turning the knob until TOTALIZE is displayed (channel 03).



2 Configure the totalize mode.

The internal count starts as soon as you turn on the instrument. You can configure the totalizer to reset the count to "0" after being read or it can count continuously and be manually reset.

READ + RESET



3 Read the count.

The count is read once each time you press ; the count does not update automatically on the display. As configured in this example, the count is automatically reset to "0" each time you read it.

12345 TOT

The count will be displayed until you press another key, turn the knob, or until the display times out. To manually reset the totalizer count, press .

Note: To add a totalizer channel to a scan list, press and select the TOT READ choice.

To Output a DC Voltage

The multifunction module (34907A) has two analog outputs capable of outputting calibrated voltages between ± 12 volts.



1 Select a DAC Output channel.

Select the slot containing the multifunction module and continue turning the knob until DAC is displayed (channel 04 or 05).



2 Enter the output voltage editor.

+00.000 V DAC


3 Set the desired output voltage.

Use the knob and ◀ or ▶ keys to edit the individual digits.

+05.250 V DAC



4 Output the voltage from the selected DAC.

The output voltage will be displayed until you press another key or turn the knob. To manually reset the output voltage to 0 volts, press  .

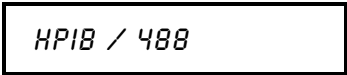
To Configure the Remote Interface

The instrument is shipped with both an GPIB (IEEE-488) interface and an RS-232 interface. Only one interface can be enabled at a time. The GPIB interface is selected when the instrument is shipped from the factory.

GPIB Configuration

Shift Sto/Rcl

1 Select the GPIB (HPIB) interface.

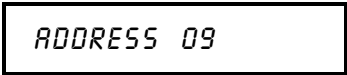


HPIB / 488

Sto/Rcl
Interface

2 Select the GPIB address.

You can set the instrument's address to any value between 0 and 30. The factory setting is address "9".



ADDRESS 09

Sto/Rcl
Interface

3 Save the change and exit the menu.

Note: Your computer's GPIB interface card has its own address. Be sure to avoid using the computer's address for any instrument on the interface bus. Agilent's GPIB interface cards generally use address "21".

RS-232 Configuration

Shift Sto/Rcl

1 Select the RS-232 interface.

RS-232

Sto/Rcl
Interface

2 Select the baud rate.

Select one of the following: 1200, 2400, 4800, 9600, 19200, 38400, 57600 (*factory setting*), or 115200 baud.

19200 BAUD

Sto/Rcl
Interface

3 Select the parity and number of data bits.

Select one of the following: None (8 data bits, *factory setting*), Even (7 data bits), or Odd (7 data bits). When you set the parity, you are also indirectly setting the number of data bits.

EVEN, 7 BITS

Sto/Rcl
Interface

4 Select the flow control method.

Select one of the following: None (no flow control), RTS/CTS, DTR/DSR, XON/XOFF (*factory setting*), or Modem.

FLOW DTR/DSR

Sto/Rcl
Interface

5 Save the changes and exit the menu.

To Store the Instrument State

You can store the instrument state in one of five non-volatile storage locations. A sixth storage location automatically holds the power-down configuration of the instrument. When power is restored, the instrument can automatically return to its state before power-down (a scan in progress before power-down will also be resumed).

Sto/Rcl

1 Select the storage location.

From the front panel, you have the ability to assign names (up to 12 characters) to each of the five stored states.

NAME STATE

1: TEST_RACK_2

The storage locations are numbered 1 through 5. The power-down state is automatically stored and can be recalled from the front panel (the state is named LAST PWR DOWN).

STORE STATE

2: STATE2

Sto/Rcl

2 Store the instrument state.

The instrument stores all channel configurations, alarm values, scaling values, scan interval setups, and advanced measurement configurations.

CHANGE SAVED

System Overview

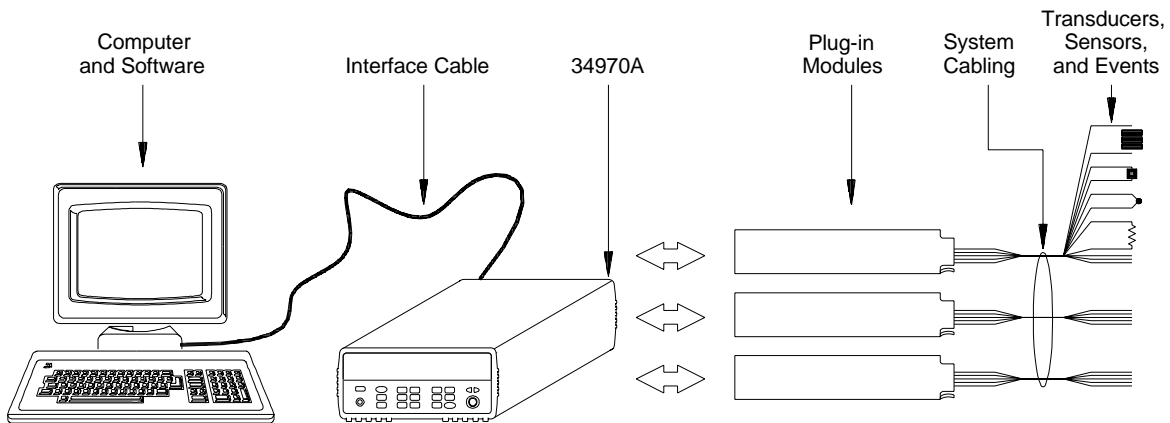
System Overview

This chapter provides an overview of a computer-based system and describes the parts of a data acquisition system. This chapter is divided into the following sections:

- Data Acquisition System Overview, *see below*
- Signal Routing and Switching, *starting on page 57*
- Measurement Input, *starting on page 60*
- Control Output, *starting on page 67*

Data Acquisition System Overview

You can use the Agilent 34970A as a stand-alone instrument but there are many applications where you will want to take advantage of the built-in PC connectivity features. A typical data acquisition system is shown below.



The system configuration shown on the previous page offers the following advantages:

- You can use the 34970A to perform data storage, data reduction, mathematical calculations, and conversion to engineering units. You can use the PC to provide easy configuration and data presentation.
- You can remove the analog signals and measurement sensors from the noisy PC environment and electrically isolate them from both the PC and earth ground.
- You can use a single PC to monitor multiple instruments and measurement points while performing other PC-based tasks.

The Computer and Interface Cable

Since computers and operating systems are the subject of many books and periodicals, they are not discussed in this chapter. In addition to the computer and operating system, you will need a serial port (RS-232) or GPIB port (IEEE-488) and an interface cable.

| Serial (RS-232) | | GPIB (IEEE-488) | |
|--|--|---|---|
| Advantages | Disadvantages | Advantages | Disadvantages |
| Often built into the computer; no additional hardware is required. | Cable length is limited to 45 ft (15 m). * | Speed; faster data and command transfers. | Cable length is limited to 60 ft (20 m). * |
| Drivers usually included in the operating system. | Only one instrument or device can be connected per serial port. | Additional system flexibility, multiple instruments can be connected to the same GPIB port. | Requires an expansion slot plug-in card in PC and associated drivers. |
| Cables readily available and inexpensive. The 34970A is shipped with a serial cable (if internal DMM is ordered). | Cabling is susceptible to noise, causing slow or lost communications. Varying connector pinouts and styles. | Direct Memory Transfers are possible. | Requires special cable. |
| | Data transfers up to 85,000 characters/sec. | Data transfers up to 750,000 characters/sec. | |

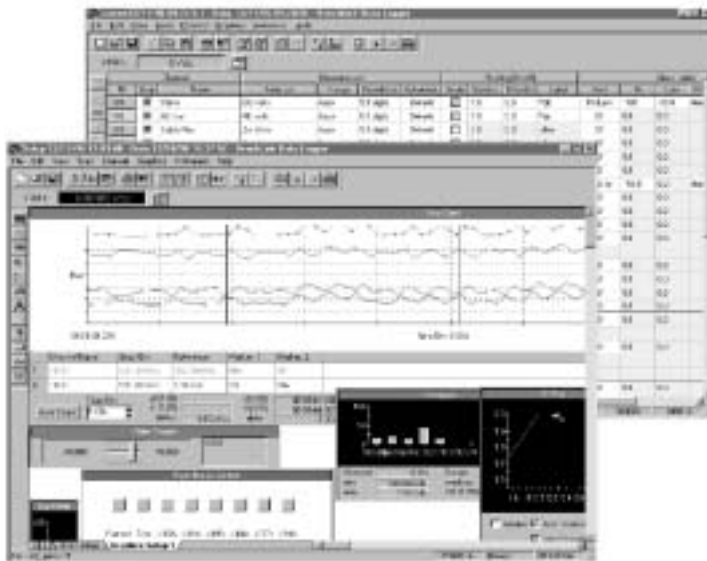
* You can overcome these cable length limitations using special communications hardware. For example, you can use the Agilent E5810A LAN-to-GPIB Gateway interface or a serial modem.

Measurement Software

A variety of software is available to configure your data acquisition hardware and manipulate and display your measurement data.

Data Logging and Monitoring

Agilent BenchLink Data Logger is a Windows®-based application designed to make it easy to use the 34970A with your PC for gathering and analyzing measurements. The software is included with the 34970A when you order the internal DMM. Use this software to set up your test, acquire and archive measurement data, and perform real-time display and analysis of your incoming measurements.



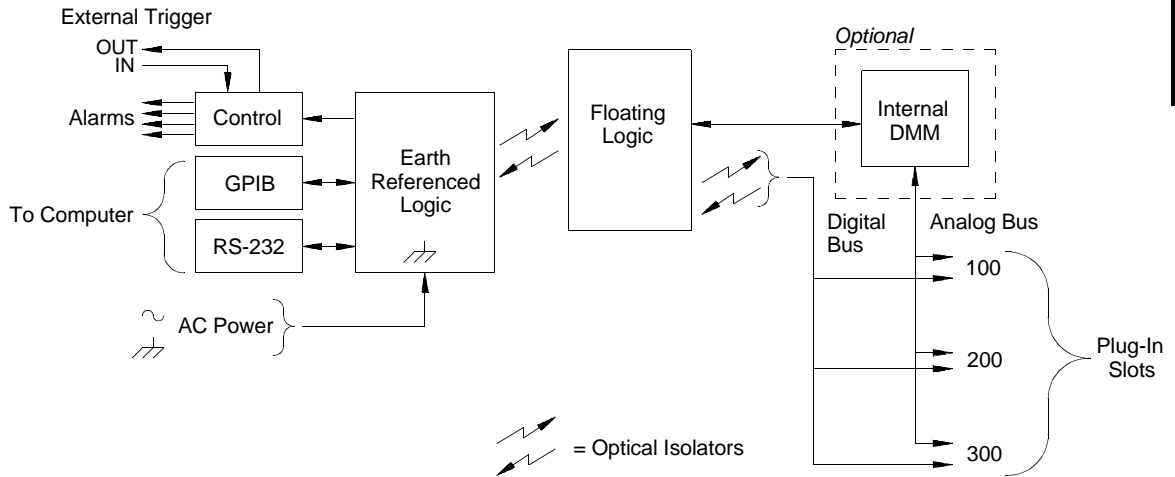
Agilent BenchLink Data Logger

Automated Testing with Multiple Instruments

- Agilent VEE
- TransEra HTBASIC® for Windows
- National Instruments LabVIEW
- Microsoft® Visual Basic or Visual C++

The 34970A Data Acquisition/Switch Unit

As shown below, the logic circuitry for the 34970A is divided into two sections: *earth-referenced* and *floating*. These two sections are isolated from each other in order to maintain measurement accuracy and repeatability (for more information on ground loops, see page 341).



The earth-referenced and floating circuitry communicate with each other via an optically-isolated data link. The earth-referenced section communicates with the floating section to provide PC connectivity. The instrument is shipped with both an GPIB (IEEE-488) interface and an RS-232 interface. Only one interface can be enabled at a time.

The earth-referenced section also provides four hardware alarm outputs and external trigger lines. You can use the alarm output lines to trigger external alarm lights, sirens, or send a TTL pulse to your control system.

The floating section contains the main system processor and controls all of the basic functionality of the instrument. This is where the instrument communicates with the plug-in modules, scans the keyboard, controls the front-panel display, and controls the internal DMM. The floating section also performs $Mx+B$ scaling, monitors alarm conditions, converts transducer measurements to engineering units, time stamps scanned measurements, and stores data in non-volatile memory.

Plug-In Modules

The 34970A offers a complete selection of plug-in modules to give you high-quality measurement, switching, and control capabilities. The plug-in modules communicate with the floating logic via the internal isolated digital bus. The multiplexer modules also connect to the internal DMM via the internal analog bus. Each module has its own microprocessor to offload the mainframe processor and minimize backplane communications for faster throughput. The table below shows some common uses for each plug-in module.

For more information on each module, refer to the module sections in chapter 4, starting on page 163.

| Model Number | Module Name | Common Uses |
|--------------------------|---|---|
| Measurement Input | | |
| 34901A | 20-Channel Mux with T/C Compensation | Scanning and direct measurement of temperature, voltage, resistance, frequency, and current (34901A only) using the internal DMM. |
| 34902A | 16-Channel Reed Mux with T/C Compensation | |
| 34908A | 40-Channel Single-Ended Mux with T/C Compensation | Scanning and direct measurement of temperature, voltage, and resistance using the internal DMM. |
| 34907A | Multifunction Module | Digital Input, Event Counting. |
| Signal Routing | | |
| 34901A | 20-Channel Mux with T/C Compensation | Multiplexing of signals to or from external instruments. |
| 34902A | 16-Channel Reed Mux with T/C Compensation | |
| 34908A | 40-Channel Single-Ended Mux with T/C Compensation | |
| 34904A | 4x8 Matrix Switch | 32 Crosspoint Matrix switching. |
| 34905A | Dual 4-Channel RF Mux (50Ω) | 50Ω high-frequency applications (< 2 GHz). |
| 34906A | Dual 4-Channel RF Mux (75Ω) | 75Ω high-frequency applications (< 2 GHz). |
| Control Output | | |
| 34903A | 20-Channel Actuator | General-purpose switching and control using Form C (SPDT) switches. |
| 34907A | Multifunction Module | Digital Output, Voltage (DAC) Outputs. |

System Cabling

The plug-in modules have screw-terminal connectors to make it easy to connect your system cabling. The type of cabling that you use to connect your signals, transducers, and sensors to the module is critical to measurement success. Some types of transducers, such as thermocouples, have very specific requirements for the type of cable that can be used to make connections. Be sure to consider the usage environment when choosing wire gauge and insulation qualities. Wire insulation typically consists of materials such as PVC or Teflon®. The table below lists several common cable types and describes their typical uses.

Note: *Wiring insulation and usage is described in more detail in “System Cabling and Connections” starting on page 335.*

| Cable Type | Common Uses | Comments |
|---|---|--|
| Thermocouple Extension Wire | Thermocouple measurements. | Available in specific thermocouple types. Also available in a shielded cable for added noise immunity. |
| Twisted Pair, Shielded Twisted Pair | Measurement inputs, voltage outputs, switching, counting. | Most common cable for low-frequency measurement inputs. Twisted pair reduces common mode noise. Shielded-twisted pair provides additional noise immunity. |
| Shielded Coaxial, Double-Shielded Coaxial | VHF signal switching. | Most common cable for high-frequency signal routing. Available in specific impedance values (50Ω or 75Ω). Provides excellent noise immunity. Double-shielded cable improves isolation between channels. Requires special connectors. |
| Flat Ribbon, Twisted Pair Ribbon | Digital Input/Output | Often used with mass termination connectors. These cables provide little noise immunity. |

Teflon is a registered trademark of E.I. duPont deNemours and Company.

Transducers and Sensors

Transducers and sensors convert a physical quantity into an electrical quantity. The electrical quantity is measured and the result is then converted to engineering units. For example, when measuring a thermocouple, the instrument measures a dc voltage and mathematically converts it to a corresponding temperature in °C, °F, or K.

| Measurement | Typical Transducer Types | Typical Transducer Output |
|-------------|--|---|
| Temperature | Thermocouple | 0 mV to 80 mV |
| | RTD | 2-wire or 4-wire resistance from 5Ω to 500Ω |
| | Thermistor | 2-wire resistance from 10Ω to 1 MΩ |
| Pressure | Solid State | ±10 Vdc |
| Flow | Rotary Type Thermal Type | 4 mA to 20 mA |
| Strain | Resistive Elements | 4-wire resistance from 10Ω to 10 kΩ |
| Events | Limit Switches Optical Counters Rotary Encoder | 0V or 5V Pulse Train |
| Digital | System Status | TTL Levels |

Alarm Limits

The 34970A has four alarm outputs which you can configure to alert you when a reading exceeds specified limits on a channel during a scan. You can assign a high limit, a low limit, or both to any configured channel in the scan list. You can assign multiple channels to any of the four available alarms (numbered 1 through 4). For example, you can configure the instrument to generate an alarm on Alarm 1 when a limit is exceeded on any of channels 103, 205, or 320.

You can also assign alarms to channels on the multifunction module. For example, you can generate an alarm when a specific bit pattern or bit pattern change is detected on a digital input channel or when a specific count is reached on a totalizer channel. With the multifunction module, the channels *do not* have to be part of the scan list to generate an alarm.

Signal Routing and Switching

The switching capabilities of the plug-in modules available with the 34970A provide test system flexibility and expandability. You can use the switching plug-in modules to route signals to and from your test system or multiplex signals to the internal DMM or external instruments.

Relays are electromechanical devices which are subject to wear-out failure modes. The life of a relay, or the number of actual operations before failure, is dependent upon how it is used – applied load, switching frequency, and environment. The 34970A *Relay Maintenance System* automatically counts the cycles of each relay in the instrument and stores the total count in non-volatile memory on each switch module. Use this feature to track relay failures and to predict system maintenance requirements. *For more information on using this feature, refer to “Relay Cycle Count” on page 147.*

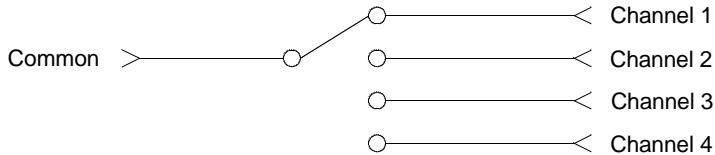
Switching Topologies

Several switching plug-in modules are available with different topologies for various applications. The following switching topologies are available:

- Multiplexer (34901A, 34902A, 34905A, 34906A, 34908A)
- Matrix (34904A)
- Form C – Single Pole, Double Throw (34903A)

The following sections describe each of these switching topologies.

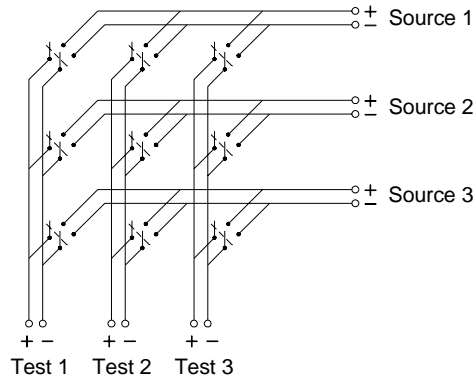
Multiplexer Switching Multiplexers allow you to connect one of multiple channels to a common channel, one at a time. A simple 4-to-1 multiplexer is shown below. When you combine a multiplexer with a measurement device, like the internal DMM, you create a scanner. For more information on scanning, see page 62.



Multiplexers are available in several types:

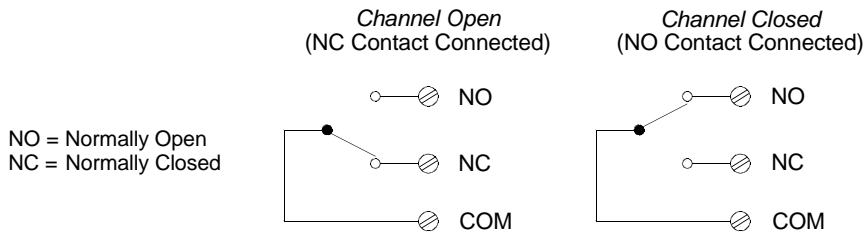
- *One-Wire (Single-Ended) Multiplexers* for common LO measurements. For more information, see page 379.
- *Two-Wire Multiplexers* for floating measurements. For more information, see page 379.
- *Four-Wire Multiplexers* for resistance and RTD measurements. For more information, see page 380.
- *Very High Frequency (VHF) Multiplexers* for switching frequencies up to 2.8 GHz. For more information, see page 390.

Matrix Switching A matrix switch connects multiple inputs to multiple outputs and therefore offers more switching flexibility than a multiplexer. Use a matrix for switching low-frequency (less than 10 MHz) signals only. A matrix is arranged in rows and columns. For example, a simple 3x3 matrix could be used to connect three sources to three test points as shown below.



Any one of the signal sources can be connected to any one of the test inputs. Be aware that with a matrix, it is possible to connect more than one source at the same time. It is important to make sure that dangerous or unwanted conditions are not created by these connections.

Form C (SPDT) Switching The 34903A Actuator contains 20 Form C switches (also called *single-pole, double-throw*). You can use Form C switches to route signals but they are typically used to control external devices.



Measurement Input

The 34970A allows you to combine a DMM (either internal or external) with multiplexer channels to create a *scan*. During a scan, the instrument connects the DMM to the configured multiplexer channels one at a time and makes a measurement on each channel.

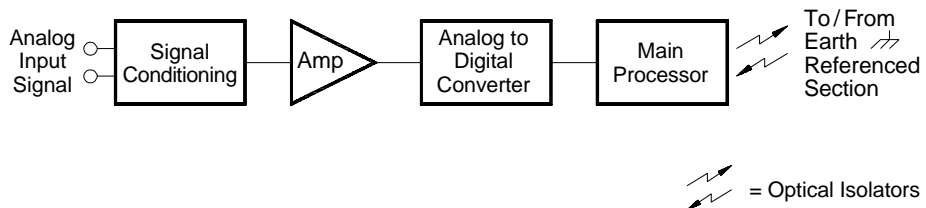
Any channel that can be “read” by the instrument can also be included in a scan. This includes any combination of temperature, voltage, resistance, current, frequency, or period measurements on multiplexer channels. A scan can also include a read of a digital port or a read of the totalizer count on the multifunction module.

The Internal DMM

A transducer or sensor converts a physical quantity being measured into an electrical signal which can be measured by the internal DMM. To make these measurements, the internal DMM incorporates the following functions:

- Temperature (thermocouple, RTD, and thermistor)
- Voltage (dc and ac up to 300V)
- Resistance (2-wire and 4-wire up to 100 M Ω)
- Current (dc and ac up to 1A)
- Frequency and Period (up to 300 kHz)

The internal DMM provides a universal input front-end for measuring a variety of transducer types without the need for additional external signal conditioning. The internal DMM includes signal conditioning, amplification (or attenuation), and a high resolution (up to 22 bits) analog-to-digital converter. A simplified diagram of the internal DMM is shown below.



Signal Conditioning, Ranging, and Amplification Analog input signals are multiplexed into the internal DMM's signal-conditioning section – typically comprising switching, ranging, and amplification circuitry. If the input signal is a dc voltage, the signal conditioner is composed of an attenuator for the higher input voltages and a dc amplifier for the lower input voltages. If the input signal is an ac voltage, a converter is used to convert the ac signal to its equivalent dc value (true RMS value). Resistance measurements are performed by supplying a known dc current to an unknown resistance and measuring the dc voltage drop across the resistor. The input signal switching and ranging circuitry, together with the amplifier circuitry, convert the input to a dc voltage which is within the measuring range of the internal DMM's analog-to-digital converter (ADC).

You can allow the instrument to automatically select the measurement range using *autoranging* or you can select a fixed measurement range using *manual ranging*. Autoranging is convenient because the instrument automatically decides which range to use for each measurement based on the input signal. For fastest scanning operation, use manual ranging for each measurement (some additional time is required for autoranging since the instrument has to make a range selection).

Analog-to-Digital Conversion (ADC) The ADC takes a prescaled dc voltage from the signal-conditioning circuitry and converts it to digital data for output and display on the front panel. The ADC governs some of the most basic measurement characteristics. These include measurement resolution, reading speed, and the ability to reject spurious noise. There are several analog-to-digital conversion techniques but they can be divided into two types: *integrating* and *non-integrating*. The integrating techniques measure the average input value over a defined time interval, thus rejecting many noise sources. The non-integrating techniques sample the instantaneous value of the input, plus noise, during a very short interval. The internal DMM uses an integrating ADC technique.

You can select the resolution and reading speed from 6 digits (22 bits) at 3 readings per second to 4 digits (16 bits) at up to 600 readings per second. The *Advanced* menu from the 34970A front panel allows you to control the integration period for precise rejection of noise signals.

Measurement Input

Main Processor The main processor, located in the floating logic section, controls the input signal conditioning, ranging, and the ADC. The main processor accepts commands from, and sends measurement results to, the earth-referenced logic section. The main processor synchronizes measurements during scanning and control operations. The main processor uses a multi-tasking operating system to manage the various system resources and demands.

The main processor also calibrates measurement results, performs Mx+B scaling, monitors alarm conditions, converts transducer measurements to engineering units, time stamps scanned measurements, and stores data in non-volatile memory.

Scanning

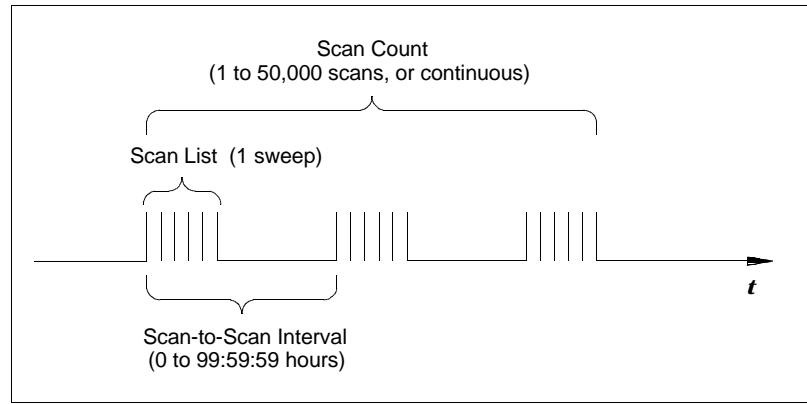
The instrument allows you to combine a DMM (either internal or external) with multiplexer channels to create a *scan*. During a scan, the instrument connects the DMM to the configured multiplexer channels one at a time and makes a measurement on each channel.


Before you can initiate a scan, you must set up a *scan list* to include all desired multiplexer or digital channels. Channels which are not in the scan list are skipped during the scan. The instrument automatically scans the list of channels in ascending order from slot 100 through slot 300. Measurements are taken only during a scan and only on those channels which are included in the scan list.

You can store up to 50,000 readings in non-volatile memory during a scan. Readings are stored only during a scan and all readings are automatically time stamped. Each time you start a new scan, the instrument clears all readings stored in memory from the previous scan. Therefore, all readings currently stored in memory are from the most recent scan.

You can configure the event or action that controls the onset of each sweep through the scan list (a *sweep* is one pass through the scan list):

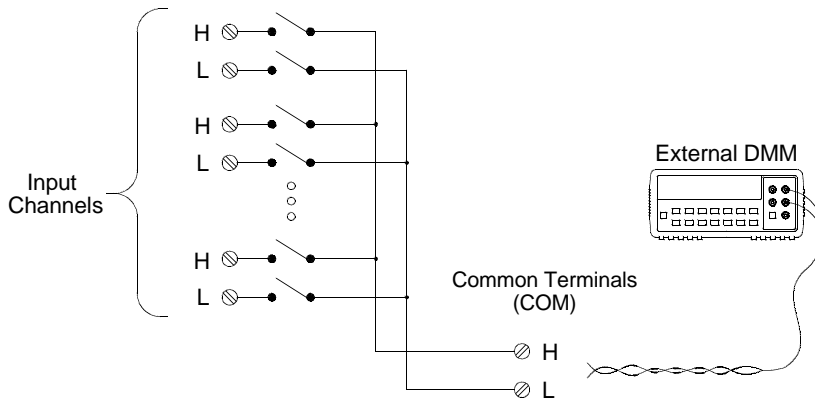
- You can set the instrument's internal timer to automatically scan at a specific interval as shown below. You can also program a time delay between channels in the scan list.



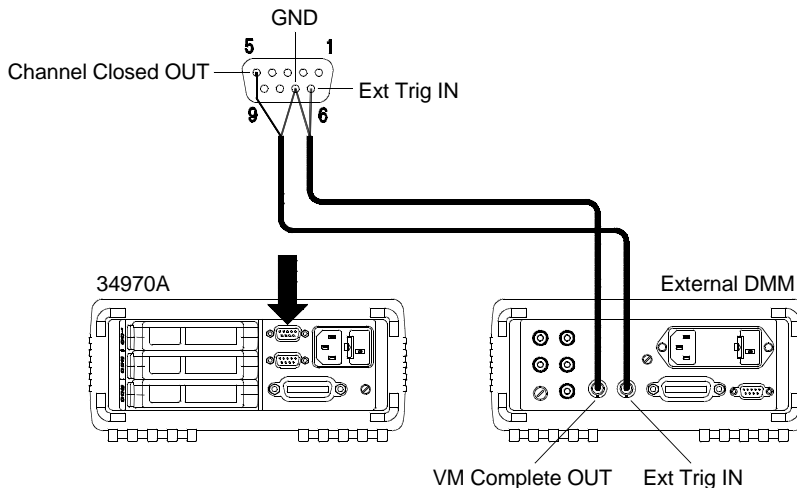
- You can manually control a scan by repeatedly pressing  from the front panel.
- You can start a scan by sending a software command from the remote interface.
- You can start a scan when an external TTL trigger pulse is received.
- You can start a scan when an alarm condition is logged on the channel being monitored.

Scanning With External Instruments

If your application doesn't require the built-in measurement capabilities of the 34970A, you can order it without the internal DMM. In this configuration, you can use the 34970A for signal routing or control applications. If you install a multiplexer plug-in module, you can use the 34970A for scanning with an external instrument. You can connect an external instrument (such as a DMM) to the multiplexer COM terminal.



To control scanning with an external instrument, two control lines are provided. When the 34970A and the external instrument are properly configured, you can synchronize a scan sequence between the two.

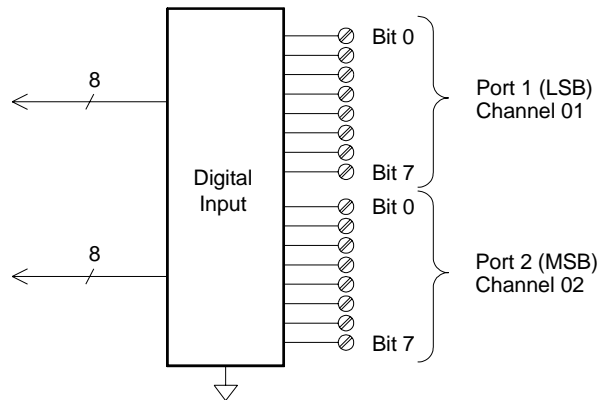


The Multifunction Module

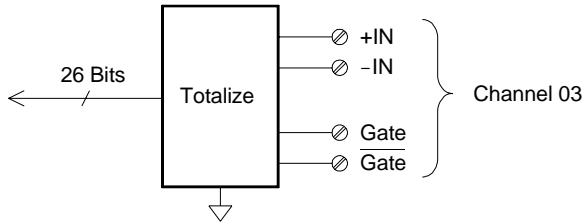
The multifunction module (34907A) adds two additional measurement input capabilities to the system: *digital input* and *event totalize*.

The multifunction module also contains a dual voltage output (DAC) which is described in more detail on page 68.

Digital Input The multifunction module has two non-isolated 8-bit input/output ports which you can use for reading digital patterns. You can read the live status of the bits on the port or you can configure a scan to include a digital read. Each port has a separate channel number on the module and contains 8-bits. You can combine the two ports to read a 16-bit word.



Totalizer The multifunction module has a 26-bit totalizer which can count pulses at a 100 kHz rate. You can manually read the totalizer count or you can configure a scan to read the count.



- You can configure the totalizer to count on the rising edge or falling edge of the input signal.
- The maximum count is 67,108,863 ($2^{26} - 1$). The count rolls over to "0" after reaching the maximum allowed value.
- You can configure the totalizer to read without affecting the count or reset the count to zero without losing any counts.

Control Output

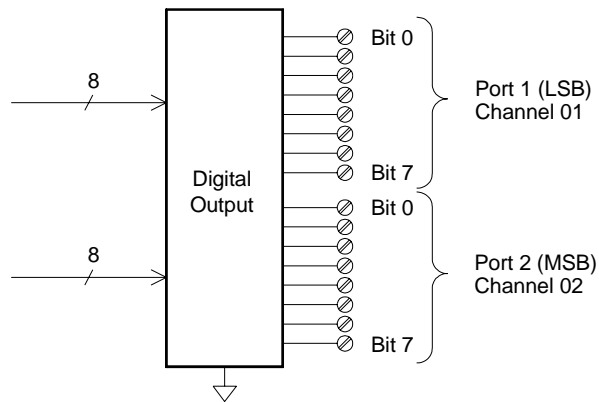
In addition to signal routing and measurement, you can also use the 34970A to provide simple control outputs. For example, you can control external high-power relays using the actuator module or a digital output channel.

The Multifunction Module

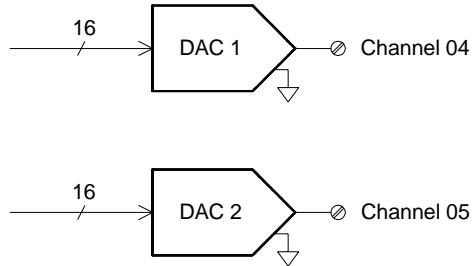
The multifunction module (34907A) adds two additional control output capabilities to the system: *digital output* and *voltage (DAC) output*.

The multifunction module also contains digital input and event totalizer capabilities which are described in more detail on pages 65 and 66.

Digital Output The multifunction module has two non-isolated 8-bit input/output ports which you can use to output digital patterns. Each port has a separate channel number on the module and contains 8-bits. You can combine the two ports to output a 16-bit word.



Voltage (DAC) Output The multifunction module has two analog outputs capable of outputting calibrated voltages between ± 12 volts with 16 bits of resolution. Each DAC (*Digital-to-Analog Converter*) channel can be used as a programmable voltage source for analog input control of other devices. A simplified diagram is shown below.

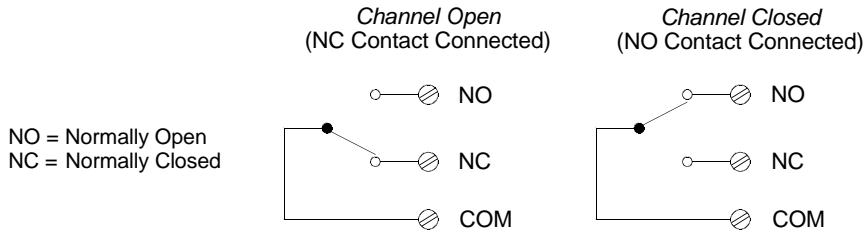


- You can set the output voltage to any value between +12 Vdc and -12 Vdc, in 1 mV steps. Each DAC is earth referenced, *it cannot float*.
- Each DAC channel is capable of supplying 10 mA maximum current.

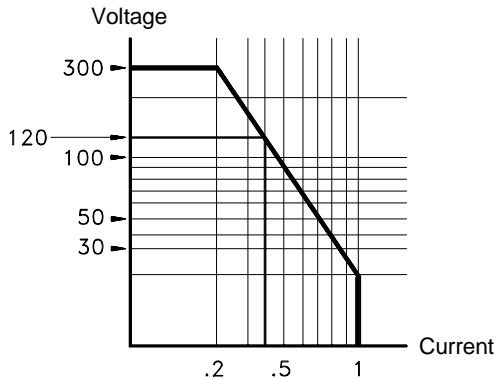
Note: *You must limit the output current to 40 mA total for all three slots (six DAC channels).*

The Actuator / General-Purpose Switch

You can think of the 34903A Actuator as a control output because it is often used to control external power devices. The actuator provides 20 independent, isolated *Form C* (SPDT) switches.



Each channel can switch up to 300V dc or ac rms. Each switch can also switch up to 1 A dc or ac rms up to 50 W maximum. For example, the maximum current that you can switch at 120 V is 0.45 A as shown below.



For control applications, the actuator has the following advantages:

- Higher voltage and power rating than the digital output channels. The actuator switches can also be used to control power devices.
- When used with high-power devices, however, it is critical that you provide protection to the switch from capacitive and inductive loads to ensure maximum relay life (*for more information on attenuators, see the discussion on page 387*).

Features and Functions

Features and Functions

You will find that this chapter makes it easy to look up all the details about a particular feature of the 34970A. Whether you are operating the instrument from the front panel or over the remote interface, this chapter will be useful. This chapter is divided into the following sections:

- SCPI Language Conventions, *on page 73*
- Scanning, *starting on page 74*
- Single-Channel Monitoring, *starting on page 93*
- Scanning With External Instruments, *starting on page 95*
- General Measurement Configuration, *starting on page 98*
- Temperature Measurement Configuration, *starting on page 106*
- Voltage Measurement Configuration, *starting on page 113*
- Resistance Measurement Configuration, *on page 115*
- Current Measurement Configuration, *starting on page 116*
- Frequency Measurement Configuration, *starting on page 118*
- Mx+B Scaling, *starting on page 119*
- Alarm Limits, *starting on page 122*
- Digital Input Operations, *starting on page 133*
- Totalizer Operations, *starting on page 135*
- Digital Output Operations, *on page 138*
- DAC Output Operations, *on page 139*
- System-Related Operations, *starting on page 140*
- Remote Interface Configuration, *starting on page 150*
- Calibration Overview, *starting on page 155*
- Factory Reset State, *on page 160*
- Instrument Preset State, *on page 161*
- Multiplexer Module Default Settings, *on page 162*
- Module Overview, *on page 163*
- 34901A 20-Channel Multiplexer, *starting on page 164*
- 34902A 16-Channel Multiplexer, *starting on page 166*
- 34903A 20-Channel Actuator, *starting on page 168*
- 34904A 4x8 Matrix Switch, *starting on page 170*
- 34905A/6A Dual 4-Channel RF Multiplexers, *starting on page 172*
- 34907A Multifunction Module, *starting on page 174*
- 34908A 40-Channel Single-Ended Multiplexer, *starting on page 176*

SCPI Language Conventions

Throughout this manual, the following conventions are used for SCPI command syntax for remote interface programming:

- Square brackets ([]) indicate optional keywords or parameters.
- Braces ({ }) enclose parameter choices within a command string.
- Triangle brackets (< >) enclose parameters for which you must substitute a value.
- A vertical bar (|) separates multiple parameter choices.

Rules for Using a Channel List

Many of the SCPI commands for the 34970A include a *scan_list* or *ch_list* parameter which allow you to specify one or more channels. The channel number has the form (@*scc*), where *s* is the slot number (100, 200, or 300) and *cc* is the channel number. You can specify a single channel, multiple channels, or a range of channels as shown below.

- The following command configures a scan list to include only channel 10 on the module in slot 300.

```
ROUT:SCAN (@310)
```

- The following command configures a scan list to include multiple channels on the module in slot 200. The scan list now contains only channels 10, 12, and 15 (*the scan list is redefined each time you send a new ROUTe:SCAN command*).

```
ROUT:SCAN (@210, 212, 215)
```

- The following command configures a scan list to include a range of channels. When you specify a range of channels, the range *may* contain invalid channels (they are ignored), but the first and last channel in the range must be valid. The scan list now contains channels 5 through 10 (slot 100) and channel 15 (slot 200).

```
ROUT:SCAN (@105:110, 215)
```

Scanning

The instrument allows you to combine a DMM (either internal or external) with multiplexer channels to create a *scan*. During a scan, the instrument connects the DMM to the configured multiplexer channels one at a time and makes a measurement on each channel.

Any channel that can be “read” by the instrument can also be included in a scan. This includes any combination of temperature, voltage, resistance, current, frequency, or period measurements on multiplexer channels. A scan can also include a read of a digital port or a read of the totalizer count on the multifunction module. Scanning is allowed with the following modules:

- 34901A 20-Channel Multiplexer
- 34902A 16-Channel Multiplexer
- 34907A Multifunction Module (digital input and totalizer only)
- 34908A 40-Channel Single-Ended Multiplexer

Automated scanning *is not* allowed with the actuator module, the matrix module, or the RF multiplexer modules. In addition, a scan cannot include a write to a digital port or a voltage output from a DAC channel. However, you can write your own program to manually create a “scan” to include these operations.

Rules for Scanning

- Before you can initiate a scan, you must set up a *scan list* to include all desired multiplexer or digital channels. Channels which are not in the scan list are skipped during the scan. The instrument automatically scans the list of channels in ascending order from slot 100 through slot 300. Measurements are taken only during a scan and only on those channels which are included in the scan list. The “* ” (sample) annunciator turns on during each measurement.
- You can store up to 50,000 readings in non-volatile memory during a scan. Readings are stored only during a scan and all readings are automatically time stamped. If memory overflows (the **MEM** annunciator will turn on), a status register bit is set and new readings will overwrite the first readings stored (the most recent readings are always preserved). You can read the contents of memory at any time, even during a scan. Reading memory *is not* cleared when you read it.

Scanning

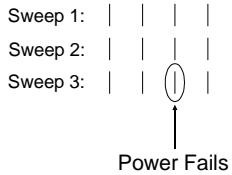
- Each time you start a new scan, the instrument clears all readings (including alarm data) stored in reading memory from the previous scan. Therefore, the contents of memory are always from the most recent scan.
- While a scan is running, the instrument automatically stores the minimum and maximum readings and calculates the average for each channel. You can read these values at any time, even during a scan.
- Mx+B scaling and alarm limits are applied to measurements during a scan and all data is stored in non-volatile memory. You can read the contents of reading memory or the alarm queue at any time, even during a scan.
- In the Monitor function, the instrument takes readings as often as it can on a single channel, even during a scan (*see “Single-Channel Monitoring” on page 93*). This feature is useful for troubleshooting your system before a test or for watching an important signal.
- If you abort a scan that is running, the instrument will complete the one measurement in progress (the entire scan will not be completed) and the scan will stop. You cannot resume the scan from where it left off. If you initiate a new scan, all readings are cleared from memory.
- When you add a multiplexer channel to a scan list, that entire module is dedicated to the scan. The instrument issues a Card Reset to open all channels on that module. You cannot perform low-level close or open operations on any channels on that module (even those channels that are not configured).
- While a scan is running, you can perform some low-level control operations on modules that do not contain channels in the scan list. For example, you can open or close channels or issue a Card Reset on switching modules that do not contain channels in the scan list. However, you cannot change any parameters that affect the scan (channel configuration, scan interval, scaling values, alarm limits, Card Reset, etc.) while a scan is running.

Scanning

- When you add a digital read (multifunction module) to a scan list, that port is dedicated to the scan. The instrument issues a Card Reset to make that port an input port (the other port is not affected).
- While a scan is running, you can perform low-level control operations on any channels on the multifunction module that are not in the scan. For example, you can output a DAC voltage or write to a digital port (even if the totalizer is part of the scan list). However, you cannot change any parameters that affect the scan (channel configuration, scan interval, Card Reset, etc.) while a scan is running.
- If a scan includes a read of the totalizer, multifunction module, the count is reset each time it is read during the scan *only* when the totalizer reset mode is enabled (TOTAlize:TYPE RRESet command or the *Advanced* menu for the totalizer).
- If you install a module while a scan is running, the instrument will cycle power and resume scanning. If you remove a module while a scan is running, the instrument will cycle power and resume scanning (even if the removed module was part of the scan list).
- You can use either the internal DMM or an external DMM to make measurements of your configured channels. However, the instrument allows only one scan list at a time; you cannot scan some channels using the internal DMM and others using an external DMM. Readings are stored in 34970A memory *only* when the internal DMM is used.
- If the internal DMM is installed and enabled, the instrument will automatically use it for scanning. For externally-controlled scans, you must either remove the internal DMM from the 34970A or disable it (see “*Internal DMM Disable*” on page 145).

Power Failure

- When shipped from the factory, the instrument is configured to automatically recall the power-down state when power is restored. In this configuration, the instrument will automatically recall the instrument state at power-down and resume a scan in progress. If you do not want the power-down state to be recalled when power is restored, send the `MEMory:STATe:RECall:AUTO OFF` command (also see the *Utility* menu); a Factory Reset (`*RST` command) is then issued when power is restored.








- If the instrument is in the middle of a scan sweep when power fails, all readings from that partially completed sweep will be discarded (a *sweep* is one pass through the scan list). For example, assume that your scan list includes four multiplexer channels and you want to sweep through the scan list three times (see diagram). A power failure occurs after the second reading in the third scan sweep. The instrument will discard the last two of the 10 readings and will resume scanning at the beginning of the third scan sweep.
- If you remove a module or move a module to a different slot while power is off, the scan *will not* resume when power is restored. No error is generated.
- If you replace a module with a module of the same type while power is off, the instrument will continue scanning when power is restored. No error is generated.

Adding Channels to a Scan List

Before you can initiate a scan, you must configure the channels to be scanned and set up a *scan list* (these two operations occur simultaneously from the front panel). The instrument automatically scans the configured channels in ascending order from slot 100 through slot 300.

To Build a Scan List From the Front Panel:

To add the active channel to the scan list, press . Select the function, range, resolution, and other measurement parameters for this channel. You can also press  to sequentially step through the scan list and take a measurement on each channel (readings are not stored in memory). This is an easy way to verify your wiring connections and channel configuration (also valid during a scan).

- When you reconfigure a channel and add it to the scan list, it is important to note that the previous configuration on that channel is lost. For example, assume that a channel is configured for dc voltage measurements. When you reconfigure that channel for thermocouple measurements, the previous range, resolution, and channel delay are set to their Factory Reset (*RST command) state.
- To remove the active channel from the scan list, press  and select CHANNEL OFF. If you decide to add that channel back to the scan list with the same function, the original channel configuration (including scaling and alarm values) is still present.
- To initiate a scan and store all readings in memory, press  (the **SCAN** annunciator will turn on). Each time you initiate a new scan, the instrument clears all previously stored readings.
- To stop a scan, press and hold .

To Build a Scan List From the Remote Interface:


- The MEASure?, CONFigure, and ROUTe:SCAN commands contain a *scan_list* parameter which defines the list of channels in the scan list. Note that each time you send one of these commands, it redefines the scan list. To determine which channels are currently in the scan list, you can send the ROUTe:SCAN? query command.
- To initiate a scan, execute the MEASure?, READ?, or INITiate command. The MEASure? and READ? commands send readings directly to the instrument's output buffer but readings *are not* stored in memory. The INITiate command stores readings in memory. Use the FETCh? command to retrieve stored readings from memory.

See the examples starting on page 201 in chapter 5 for more information on using these commands.

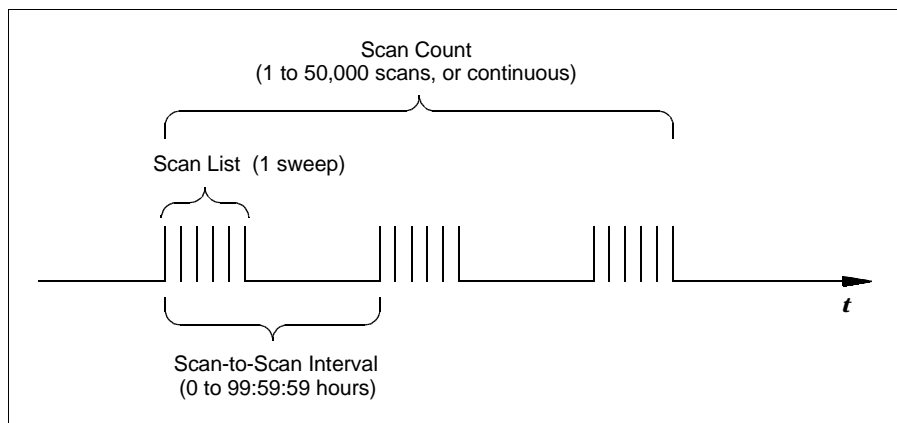
- When you reconfigure a channel and add it to the scan list using MEASure? or CONFigure, it is important to note that the previous configuration on that channel is lost. For example, assume that a channel is configured for dc voltage measurements. When you reconfigure that channel for thermocouple measurements, the previous range, resolution, and channel delay are set to their Factory Reset (*RST command) state.
- Each time you initiate a new scan, the instrument clears all previously stored readings.
- To stop a scan, execute the ABORt command.

Scan Interval

You can configure the event or action that controls the onset of each sweep through the scan list (a *sweep* is one pass through the scan list):


- You can set the instrument's internal timer to automatically scan at a specific interval. You can also program a time delay between channels in the scan list.
- You can manually control a scan by repeatedly pressing  from the front panel.
- You can start a scan by sending a software command from the remote interface (MEASure? or INITiate command).
- You can start a scan when an external TTL trigger pulse is received.
- You can start a scan when an alarm event is logged on the channel being monitored.


Interval Scanning In this configuration, you control the frequency of scan sweeps by selecting a wait period from the start of one sweep to the start of the next sweep (called the *scan-to-scan interval*). The count-down time is shown on the front-panel display between one scan sweep and the start of the next sweep. If the scan interval is less than the time required to measure all channels in the scan list, the instrument will scan continuously, as fast as possible (no error is generated).



- You can set the scan interval to any value between 0 seconds and 99:59:59 hours (359,999 seconds), with 1 ms resolution.
- Once you have initiated the scan, the instrument will continue scanning until you stop it or until the scan count is reached. See “Scan Count” on page 86 for more information.
- Mx+B scaling and alarm limits are applied to measurements during a scan and all data is stored in non-volatile memory.
- The MEASure? and CONFigure commands automatically set the scan interval to immediate (0 seconds) and the scan count to 1 sweep.
- From the front panel, a Factory Reset (Sto/Rcl menu) sets the scan interval to 10 seconds and the scan count to continuous. From the remote interface, a Factory Reset (*RST command) sets the scan interval to immediate (0 seconds) and the scan count to 1 sweep.
- *Front-Panel Operation:* To select interval scanning and set a scan interval time (hour:minutes:seconds), choose the following item.

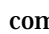
 INTERVAL SCAN

To initiate the scan and store all readings in memory, press  (the **SCAN** annunciator will turn on). Between scan sweeps, the count-down time is shown on the front-panel (00:04 TO SCAN).

Note: To stop a scan, press and hold .

- *Remote Interface Operation:* The following program segment configures the instrument for an interval scan.


| | |
|-------------------|---|
| TRIG:SOURCE TIMER | Select the interval timer configuration |
| TRIG:TIMER 5 | Set the scan interval to 5 seconds |
| TRIG:COUNT 2 | Sweep the scan list 2 times |
| INIT | Initiate the scan |


Note: To stop a scan, send the ABORT  command.

Scan Once In this configuration, the instrument waits for either a front-panel key press or a remote interface command before sweeping through the scan list.

- All readings from the scan are stored in non-volatile memory. Readings accumulate in memory until the scan is terminated (until the scan count is reached or until you abort the scan).
- You can specify a scan count which sets the number of front-panel key presses or scan trigger commands that will be accepted before terminating the scan. See “Scan Count” on page 86 for more information.
- Mx+B scaling and alarm limits are applied to measurements during a Scan Once operation and all data is stored in non-volatile memory.
- *Front-Panel Operation:*

 MANUAL SCAN

To initiate the scan and store all readings in memory, press  . The **ONCE** annunciator turns on as a reminder that a Scan Once operation is in progress.

Note: To stop a scan, press and hold  .

- *Remote Interface Operation:* The following program segment configures the instrument for a Scan Once operation.

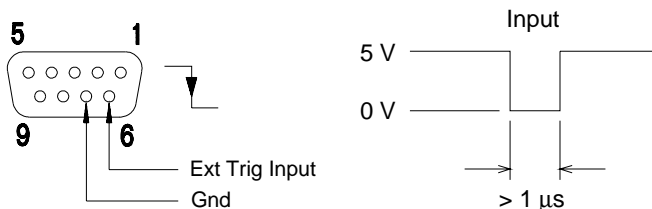
```
TRIG:SOURCE BUS      Select the bus (once) configuration
TRIG:COUNT 2        Sweep the scan list 2 times
INIT                  Initiate the scan
```

Then, send the *TRG (trigger) command to begin each scan sweep. You can also trigger the instrument from the GPIB interface by sending the IEEE-488 Group Execute Trigger (GET) message. The following statement shows how to send a GET message.

```
TRIGGER 709          Group Execute Trigger
```

Note: To stop a scan, send the ABORT command.



External Scanning In this configuration, the instrument sweeps through the scan list once each time a low-going TTL pulse is received on the rear-panel *Ext Trig Input* line (pin 6).



Ext Trig Connector

- You can specify a scan count which sets the number of external pulses the instrument will accept before terminating the scan. See “Scan Count” on page 86 for more information.
- If the instrument receives an external trigger before it is ready to accept one, it will buffer one trigger before generating an error.
- All readings from the scan are stored in non-volatile memory. Readings accumulate in memory until the scan is terminated (until the scan count is reached or until you abort the scan).
- Mx+B scaling and alarm limits are applied to measurements during the scan and all data is stored in non-volatile memory.
- *Front-Panel Operation:*

 EXTERNAL SCAN

To initiate the scan, press . The **EXT** annunciator turns on as a reminder that an External Scan is in progress. When a TTL pulse is received, the scan starts and readings are stored in memory. To stop a scan, press and hold .

- *Remote Interface Operation:* The following program segment configures the instrument for an External Scan.

```
TRIG:SOURCE EXT      Select the external trigger configuration
TRIG:COUNT 2       Sweep the scan list 2 times
INIT                 Initiate the scan
```

Note: To stop a scan, send the `ABORT` command.



Scanning


Scanning on Alarm In this configuration, the instrument sweeps the scan list once each time a reading crossing an alarm limit on a channel. You can also assign alarms to channels on the multifunction module. For example, you can generate an alarm when a specific bit pattern is detected or when a specific count is reached.

Note: For complete details on configuring and using alarms, refer to “Alarm Limits” starting on page 122.

- In this scan configuration, you may use the Monitor function to continuously take readings on a selected channel and wait for an alarm on that channel. The monitored channel can be part of the scan list but you can also use a channel on the multifunction module (which does not have to be part of the scan list and you do not have to use the Monitor function). For example, you can generate an alarm on a totalizer channel which will initiate a scan when a specific count is reached.
- You can specify a scan count which sets the number of alarms that will be allowed before terminating the scan. See “Scan Count” on page 86 for more information.
- All readings from the scan are stored in non-volatile memory. Readings accumulate in memory until the scan is terminated (until the scan count is reached or until you abort the scan).
- Mx+B scaling and alarm limits are applied to measurements during the scan and all data is stored in non-volatile memory.
- *Front-Panel Operation:*

 SCAN ON ALARM

To enable the Monitor function select the desired channel and then press . To initiate the scan, press . When an alarm event occurs, the scan starts and readings are stored in memory.

Note: To stop a scan, press and hold .

- *Remote Interface Operation:* The following program segment configures the instrument to scan when an alarm occurs.

| | |
|---------------------------------|---------------------------------------|
| TRIG:SOURCE ALARM1 | <i>Select the alarm configuration</i> |
| TRIG:COUNT 2 | <i>Sweep the scan list 2 times</i> |
| CALC:LIM:UPPER 5, (@103) | <i>Set the upper limit</i> |
| CALC:LIM:UPPER:STATE ON, (@103) | <i>Enable the upper limit</i> |
| OUTPUT:ALARM1:SOURCE (@103) | <i>Report alarms on Alarm 1</i> |
| ROUT:MON (@103) | <i>Select monitor channel</i> |
| ROUT:MON:STATE ON | <i>Enable monitoring</i> |
| INIT | <i>Initiate the scan</i> |

Note: To stop a scan, send the `ABORT` command.

Scan Count

You can specify the number of times the instrument will sweep through the scan list. When the specified number of sweeps have occurred, the scan stops.

- Select a scan count between 1 to 50,000 scan sweeps, or continuous.
- During an Interval Scan (*see page 80*), the scan count sets the number of times the instrument will sweep through the scan list and therefore determines the overall duration of the scan.
- During a Scan Once operation (*see page 82*), the scan count sets the number of front-panel key presses or scan trigger commands that will be accepted before terminating the scan.
- During an External Scan (*see page 83*), the scan count sets the number of external trigger pulses that will be accepted before terminating the scan.
- During an Alarm Scan (*see page 84*), the scan count sets the number of alarms that will be allowed before terminating the scan.
- You can store up to 50,000 readings in non-volatile memory during a scan. If you set a continuous scan and memory overflows (the **MEM** annunciator will turn on), a status register bit is set and new readings will overwrite the first readings stored (the most recent readings are always preserved).
- The **MEASure?** and **CONFigure** commands automatically set the scan count to 1.
- From the front panel, a Factory Reset (*Sto/Rcl* menu) sets the scan count to continuous. From the remote interface, a Factory Reset (***RST** command) sets the scan count to 1 sweep.
- *Front-Panel Operation:*

 00020 SCANS

The default is CONTINUOUS. To set the count to a value between 1 and 50,000 scans, turn the knob clockwise and enter a number.

- *Remote Interface Operation:*

TRIG:COUNT 20

Note: To configure a continuous scan, send TRIG:COUNT INFINITY.

Reading Format

During a scan, the instrument automatically adds a time stamp to all readings and stores them in non-volatile memory. Each reading is stored with measurement units, time stamp, channel number, and alarm status information. From the remote interface, you can specify which information you want returned with the readings (from the front panel, all of the information is available for viewing). The reading format applies to all readings being removed from the instrument from a scan; you cannot set the format on a per-channel basis.

- From the remote interface, the time stamp information is returned either in absolute time (time of day with date) or relative time (time since start of scan). Use the `FORMat:READ:TIME:TYPE` command to select absolute or relative time. From the front panel, the time stamp is always returned in absolute time.
- The `MEASure?` and `CONFigure` commands automatically turn off the units, time, channel, and alarm information.
- A Factory Reset (`*RST` command) turns off the units, time, channel, and alarm information.
- *Remote Interface Operation:* The following commands select the format of readings returned from a scan.

```
FORMat:READING:ALARM ON
FORMat:READING:CHANnel ON
FORMat:READING:TIME ON
FORMat:READING:TIME:TYPE {ABSolute|RELative}
FORMat:READING:UNIT ON
```

The following is an example of a reading stored in memory with all fields enabled (relative time is shown).

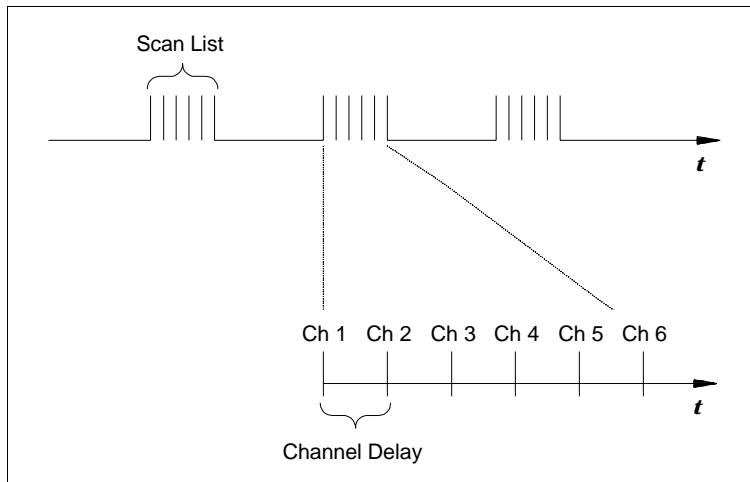
```
2.61950000E+01 C, 00000000.017, 101, 2
```

① ② ③ ④

-
- | | |
|------------------------------------|---|
| 1 Reading with Units (26.195 °C) | 3 Channel Number |
| 2 Time Since Start of Scan (17 ms) | 4 Alarm Limit Threshold Crossed (0 = No Alarm, 1 = LO, 2 = HI) |
-

Channel Delay

You can control the pace of a scan sweep by inserting a delay between multiplexer channels in the scan list (useful for high-impedance or high-capacitance circuits). The delay is inserted between the relay closure and the actual measurement on the channel. The programmed channel delay overrides the default channel delay that the instrument automatically adds to each channel.



- You can set the channel delay to any value between 0 seconds and 60 seconds, with 1 ms resolution. You can select a different delay for each channel. The default channel delay is automatic; the instrument determines the delay based on function, range, integration time, and ac filter setting (see “Automatic Channel Delays” on the next page).
- The MEASure? and CONFigure commands set the channel delay to automatic. A Factory Reset (*RST command) also sets the channel delay to automatic.
- *Front-Panel Operation:*

 CH DELAY TIME

- *Remote Interface Operation:* The following command adds a 2-second channel delay to channel 101.

```
ROUT:CHAN:DELAY 2, (@101)
```

Automatic Channel Delays

If you do not specify a channel delay, the instrument selects a delay for you. The delay is determined by function, range, integration time, and ac filter setting as shown below.

DC Voltage, Thermocouple, DC Current (for all ranges):

| Integration Time | Channel Delay |
|------------------|---------------|
| PLC > 1 | 2.0 ms |
| PLC ≤ 1 | 1.0 ms |

Resistance, RTD, Thermistor (2- and 4-wire):

| Range | Channel Delay (For PLC > 1) | Range | Channel Delay (For PLC ≤ 1) |
|--------|--------------------------------|--------|--------------------------------|
| 100Ω | 2.0 ms | 100Ω | 1.0 ms |
| 1 kΩ | 2.0 ms | 1 kΩ | 1.0 ms |
| 10 kΩ | 2.0 ms | 10 kΩ | 1.0 ms |
| 100 kΩ | 25 ms | 100 kΩ | 20 ms |
| 1 MΩ | 30 ms | 1 MΩ | 25 ms |
| 10 MΩ | 200 ms | 10 MΩ | 200 ms |
| 100 MΩ | 200 ms | 100 MΩ | 200 ms |

AC Voltage, AC Current (for all ranges):

| AC Filter | Channel Delay |
|----------------|---------------|
| Slow (3 Hz) | 7.0 sec |
| Medium (20 Hz) | 1.0 sec |
| Fast (200 Hz) | 120 ms |

Frequency, Period:

| AC Filter | Channel Delay |
|----------------|---------------|
| Slow (3 Hz) | 0.6 sec |
| Medium (20 Hz) | 0.3 sec |
| Fast (200 Hz) | 0.1 sec |

Digital Input, Totalize:

| Channel Delay |
|---------------|
| 0 sec |

Scanning

- *Front-Panel Operation:*



CH DELAY AUTO

- *Remote Interface Operation:* The following command enables an automatic channel delay on channel 01.

```
ROUT:CHAN:DELAY:AUTO ON, (@101)
```

Selecting a specific channel delay using the ROUTe:CHANnel:DElay command disables the automatic channel delay.


Viewing Readings Stored in Memory

During a scan, the instrument automatically adds a time stamp to all readings and stores them in non-volatile memory. Readings are stored only during a scan. You can read the contents of memory at any time, even during a scan.

- You can store up to 50,000 readings in non-volatile memory during a scan. From the front panel, you can view the last 100 readings and all of the readings are available from the remote interface. If memory overflows (the **MEM** annunciator will turn on), a status register bit is set and new readings will overwrite the first readings stored (the most recent readings are always preserved).
- Each time you start a new scan, the instrument clears all readings (including alarm data) stored in reading memory from the previous scan. Therefore, the contents of memory are always from the most recent scan.
- The instrument clears all readings in memory after a Factory Reset (*RST command) or Instrument Preset (SYSTEM:PRESet command). Reading memory *is not* cleared when you read it.
- While a scan is running, the instrument automatically stores the minimum and maximum readings and calculates the average for each channel. You can read these values at any time, even during a scan.
- Each reading is stored with measurement units, time stamp, channel number, and alarm status information. From the remote interface, you can specify which information you want returned with the readings (from the front panel, all of the information is available for viewing). *For more information, see “Reading Format” on page 87.*

- Readings acquired during a Monitor *are not* stored in memory (however, all readings from a scan in progress at the same time are stored in memory).
- The MEASure? and READ? commands send readings directly to the instrument's output buffer but readings *are not* stored in memory. You will not be able to view these readings.
- The INITiate command stores readings in memory. Use the FETCh? command to retrieve stored readings from memory (the readings are not erased when you read them).
- *Front-Panel Operation:* From the front panel, data is available for the last 100 readings on each channel readings taken during a scan (all of the data is available from the remote interface). After turning the knob to the desired channel, press the ◀ and ▶ keys to choose the data that you want to view for the selected channel as shown below (the **LAST**, **MIN**, **MAX**, and **AVG** annunciators turn on to indicate what data is currently being viewed). Reading memory *is not* cleared when you read it. Note that you can view readings from the front panel even while the instrument is in remote.

 READINGS

|  | ◀ and ▶ |
|--|---|
| Select Channel | Last Reading on Channel Time of Last Reading Minimum Reading on Channel Time of Minimum Reading Maximum Reading on Channel Time of Maximum Reading Average of Readings on Channel Second Most Recent Reading on Channel Third Most Recent Reading on Channel ⋮ ↓ 99th Most Recent Reading on Channel |

- *Remote Interface Operation.* The following command retrieves stored readings from memory (the readings are not erased).

FETCH?

Use the following commands to query the statistics on the readings stored in memory for a specific channel. These commands *do not* remove the data from memory.

| | |
|----------------------------|--|
| CALC:AVER:MIN? (@305) | <i>Minimum reading on channel</i> |
| CALC:AVER:MIN:TIME? (@305) | <i>Time minimum was logged</i> |
| CALC:AVER:MAX? (@305) | <i>Maximum reading on channel</i> |
| CALC:AVER:MAX:TIME? (@305) | <i>Time maximum was logged</i> |
| CALC:AVER:AVER? (@305) | <i>Average of all readings on channel</i> |
| CALC:AVER:COUNT? (@305) | <i>Number of readings taken on channel</i> |
| CALC:AVER:PTPEAK? (@305) | <i>Peak-to-peak (maximum–minimum)</i> |

The following command retrieves the last reading taken on channel 301 during a scan.

DATA:LAST? (@301)

The following command clears the contents of statistics memory for the selected channel.

CALC:AVER:CLEAR (@305)

Use the following command to determine the total number of readings stored in memory (all channels) from the most recent scan.

DATA:POINTS?

The following command reads and clears the specified number of readings from memory. This allows you to continue a scan without losing data stored in memory (if memory becomes full, new readings will overwrite the first readings stored). The specified number of readings are cleared from memory, starting with the oldest reading.


DATA:REMOVE? 12


Single-Channel Monitoring

In the Monitor function, the instrument takes readings as often as it can on a single channel, even during a scan. This feature is useful for troubleshooting your system before a test or for watching an important signal.

Any channel that can be “read” by the instrument can be monitored. This includes any combination of temperature, voltage, resistance, current, frequency, or period measurements on multiplexer channels. You can also monitor a digital input port or the totalizer count on the multifunction module. Monitoring *is not* allowed with the actuator module, the matrix module, or the RF multiplexer modules.

- The Monitor function is equivalent to making continuous measurements on a single channel with an infinite scan count. Only one channel can be monitored at a time but you can change the channel being monitored at any time.
- Readings acquired during a Monitor *are not* stored in memory but they are displayed on the front panel (however, all readings from a scan in progress at the same time are stored in memory).
- Mx+B scaling and alarm limits are applied to the selected channel during a Monitor and all alarm data is stored in the alarm queue (which will be cleared if power fails).
- A scan in progress always has priority over the Monitor function. The instrument will take *at least* one monitor reading per scan sweep and will take more as time permits.
- You can monitor a multiplexer channel only if the internal DMM is installed and enabled (see “*Internal DMM Disable*” on page 145). The channel must also be configured to be part of the scan list.
- You can monitor a digital input channel or totalizer channel even if the channel is not part of the scan list (the internal DMM is not required either). The count on a totalizer channel *is not* reset when it is being monitored (the Monitor ignores the totalizer reset mode).

- In the Alarm Scan configuration (see “Scanning on Alarm” on page 84), the instrument sweeps the scan list once each time a reading crosses an alarm limit on a channel. In this configuration, you may use the Monitor function to continuously take readings on a selected channel and wait for an alarm on that channel. The monitored channel can be part of the scan list but you can also use a channel on the multifunction module (which does not have to be part of the scan list and you do not have to use the Monitor function).
- *Front-Panel Operation:* To start a Monitor, press . Turn the knob to advance to the desired channel. The instrument begins monitoring after you pause for a few seconds on a configured channel.

To stop a Monitor, press  again. Note that while the instrument is in the remote mode, you can still turn on the Monitor function and select the desired channel.

- *Remote Interface Operation:* The following program segment selects the channel to be monitored (specify only one channel) and enables the Monitor function.

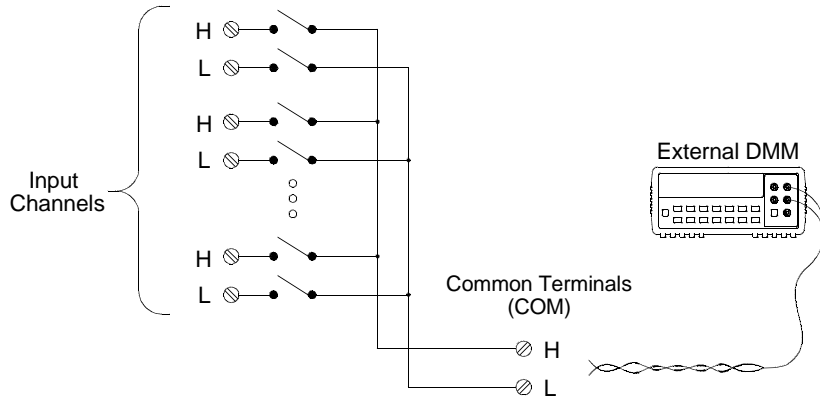
```
ROUT:MON (@101)  
ROUT:MON:STATE ON
```

To read the monitor data from the selected channel, send the following command. This command returns the reading only; the units, time, channel, and alarm information *are not* returned (the `FORMat:READing` commands do not apply to monitor readings).

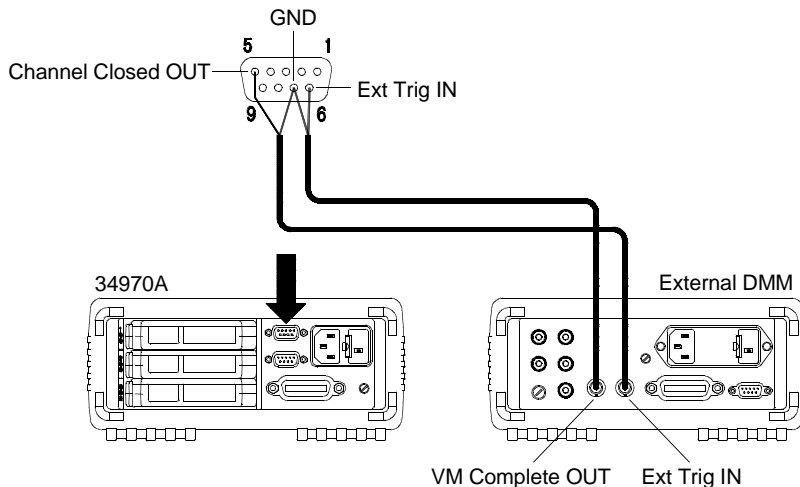
```
ROUT:MON:DATA?
```


Scanning With External Instruments

If your application doesn't require the built-in measurement capabilities of the 34970A, you can order it without the internal DMM. In this configuration, you can use the system for signal routing or control applications. If you install a multiplexer plug-in module, you can use the system for scanning with an external instrument. You can connect an external instrument (such as a DMM) to the multiplexer COM terminal.



To control scanning with an external instrument, two control lines are provided. When the 34970A and the external instrument are properly configured, you can synchronize a scan sequence between the two.



In this configuration, you must set up a *scan list* to include all desired multiplexer or digital channels. Channels which are not in the list are skipped during the scan. The instrument automatically scans the list of channels in ascending order from slot 100 through slot 300.

For an externally-controlled scan, you must either remove the internal DMM from the 34970A or disable it (see “*Internal DMM Disable*” on page 145). Since the internal DMM is not used, readings from multiplexer channels *are not* stored in internal reading memory.

External connections are required to synchronize the scan sequence between the 34970A and the external instrument. The 34970A must notify the external instrument when a relay is closed and settled (including channel delay). The 34970A outputs a *Channel Closed* pulse from pin 5 on the rear-panel connector (see *previous page*). In response, the external instrument must notify the 34970A when it has finished its measurement and is ready to advance to the next channel in the scan list. The 34970A accepts a *Channel Advance* signal on the *External Trigger* input line (pin 6).


- You can configure the event or action that controls the onset of each sweep through the scan list (a *sweep* is one pass through the scan list). When the internal DMM is removed (or disabled), the default scan interval source is “timer”. For more information, refer to “*Scan Interval*” on page 80.
- You can configure the event or action that notifies the 34970A to advance to the next channel in the scan list. Note that the *Channel Advance* source shares the same sources as the scan interval. However, an error is generated if you attempt to set the channel advance source to the same source used for the scan interval.
- You can specify the number of times the instrument will sweep through the scan list. When the specified number of sweeps have occurred, the scan stops. For more information, refer to “*Scan Count*” on page 86.

- An externally-controlled scan can also include a read of a digital port or a read of the totalizer count on the multifunction module. When the channel advance reaches the first digital channel, the instrument scans through all of the digital channels in that slot and stores the readings in reading memory (only one channel advance signal is required).
- You can configure the list of channels for 4-wire external scanning without the internal DMM. When enabled, the instrument automatically pairs channel n with channel $n+10$ (34901A) or $n+8$ (34902A) to provide the source and sense connections.
- *Front-Panel Operation:* To select the channel advance source, choose from the following items.

 AUTO ADVANCE , EXT ADVANCE

To initiate the scan, press  (the **SCAN** annunciator will turn on).

To configure the instrument for 4-wire external scanning, choose the following item.

 4W SCAN

- *Remote Interface Operation:* The following program segment configures the instrument for an externally-controlled scan.

| | |
|------------------------|---|
| TRIG:SOUR TIMER | <i>Select the scan interval</i> |
| ROUT:CHAN:ADV:SOUR EXT | <i>Select the channel advance source</i> |
| TRIG:TIMER 5 | <i>Set the scan interval to 5 seconds</i> |
| TRIG:COUNT 2 | <i>Sweep the scan list 2 times</i> |
| INIT | <i>Initiate the scan</i> |

To configure the instrument for 4-wire external scanning, send the following command.

```
ROUTe:CHANnel:FWIRE {OFF|ON} [ , ( @<ch_list> ) ]
```

General Measurement Configuration

This section contains general information to help you configure the instrument for making measurements during a scan. Since these parameters are used by several measurement functions, the discussion is combined into one common section. Refer to the later sections in this chapter for more information on parameters that are specific to a particular measurement function.


Note: *It is important that you select the measurement function before selecting other parameters on a given channel. When you change the function on a channel, all other settings (range, resolution, etc.) are reset to their default values.*

Measurement Range

You can allow the instrument to automatically select the measurement range using *autoranging* or you can select a fixed range using *manual ranging*. Autoranging is convenient because the instrument decides which range to use for each measurement based on the input signal. For fastest scanning operation, use manual ranging on each measurement (some additional time is required for autoranging since the instrument has to make a range selection).

- Autorange thresholds:
 - Down range at <10% of range
 - Up range at >120% of range
- If the input signal is greater than can be measured on the selected range, the instrument gives an *overload indication*: “±OVLD” from the front panel or “±9.90000000E+37” from the remote interface.
- For a complete list of the measurement ranges available for each function, refer to the instrument specifications in chapter 9.
- For temperature measurements, the instrument internally selects the range; you cannot select which range is used. For thermocouple measurements, the instrument internally selects the 100 mV range. For thermistor and RTD measurements, the instrument autoranges to the correct range for the transducer resistance measurement.

- For frequency and period measurements, the instrument uses one “range” for all inputs between 3 Hz and 300 kHz. The *range* parameter is required only to specify the resolution. Therefore, it is not necessary to send a new command for each new frequency to be measured.
- The MEASure? and CONFigure commands contain an optional range parameter which allows you to specify the range or autoranging.
- The instrument returns to autoranging when the measurement function is changed and after a Factory Reset (*RST command). An Instrument Preset (SYSTem:PRESet command) or Card Reset (SYSTem:CPON command) *does not* change the range setting.
- *Front-Panel Operation:* First, select the measurement function on the active channel. You are automatically guided to the next level of the menu where you can select a specific range or autorange.

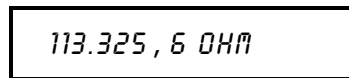
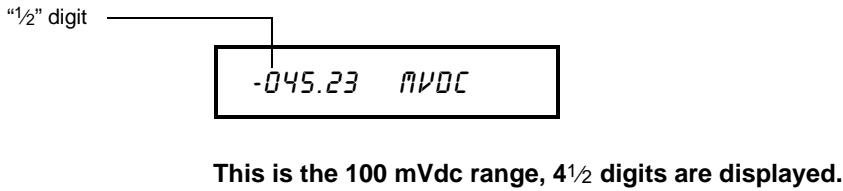
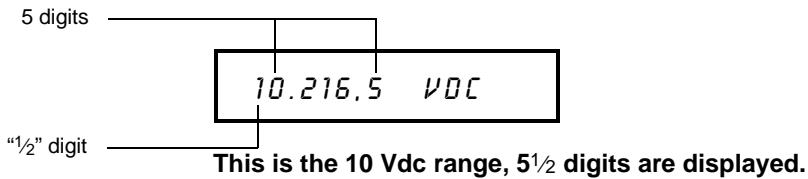
 100 mV RANGE

- *Remote Interface Operation:* You can select the range using parameters in the MEASure? and CONFigure commands. For example, the following statement selects the 10 Vdc range on channel 301.

```
CONF:VOLT:DC 10,DEF,(@301)
```

Measurement Resolution


Resolution is expressed in terms of *number of digits* the instrument can measure or display on the front panel. You can set the resolution to 4, 5, or 6 *full digits*, plus a “½” digit which can only be a “0” or “1”. To increase your measurement accuracy and improve noise rejection, select 6½ digits. To increase your measurement speed, select 4½ digits.



This is the 100 ohm range, 6½ digits are displayed.

- For temperature measurements taken from the remote interface, the resolution is fixed at 6½ digits. From the front panel, you can set the resolution in terms of the number of digits displayed past the decimal point (*Measure* menu).
- For ac voltage measurements, the resolution is fixed at 6½ digits. The only way to control the reading rate for ac measurements is by changing the channel delay (*see page 88*) or by setting the ac filter to the highest frequency limit (*see page 114*).

- The specified resolution is used for all measurements on the selected channel. If you have applied $Mx+B$ scaling or have assigned alarms to the selected channel, those measurements are also made using the specified resolution. Measurements taken during the Monitor function also use the specified resolution.
- Changing the number of digits does more than just change the resolution of the instrument. It also changes the *integration time*, which is the period the instrument's analog-to-digital (A/D) converter samples the input signal for a measurement. See "Custom A/D Integration Time," on page 103 for more information.
- The MEASure? and CONFIgure commands contain an optional resolution parameter which allows you to specify the resolution.
- The instrument returns to 5½ digits when the measurement function is changed and after a Factory Reset (*RST command). An Instrument Preset (SYSTem:PRESet command) or Card Reset (SYSTem:CPON command) *does not* change the resolution setting.
- *Front-Panel Operation:* First, select the measurement function on the active channel. You are automatically guided to the next level of the menu where you can select the number of digits. *The default is 5½ digits.*

 6 1/2 DIGITS

For temperature measurements, go to the menu and select the number of digits displayed past the decimal point on the selected channel.

 DISPLAY 1 °C

- *Remote Interface Operation:* Specify the resolution in the same units as the measurement function, *not in number of digits*. For example, if the function is dc volts, specify the resolution in volts. For frequency, specify the resolution in hertz.

You can select the resolution using parameters in the MEASure? and CONFigure commands. For example, the following statement selects the 10 Vdc range with 4½ digits of resolution on channel 301.

```
CONF:VOLT:DC 10,0.001,(@301)
```

The following statement selects the 1 A range with 6½ digits of resolution on channel 221.

```
MEAS:CURR:AC? 1,1E-6,(@221)
```

You can also select the resolution using the SENSE commands. For example, the following statement specifies a 4-wire ohms measurement with 100Ω of resolution on channel 103.

```
SENS:FRES:RES 100,(@103)
```


Custom A/D Integration Time

Integration time is the period of time that the instrument's analog-to-digital (A/D) converter samples the input signal for a measurement. Integration time affects the measurement resolution (for better resolution, use a longer integration time) and measurement speed (for faster measurements, use a shorter integration time).

- Integration time is specified in number of *power line cycles* (PLCs). Select from 0.02, 0.2, **1**, 2, 10, 20, 100, or 200 power line cycles. *The default is 1 PLC.*
- Only the integral number of power line cycles (1, 2, 10, 20, 100, or 200 PLCs) provide normal mode (line frequency noise) rejection.
- You can also specify integration time directly in seconds (this is called *aperture time*). Select a value between 400 μ s and 4 seconds, with 10 μ s resolution.
- For temperature measurements, the integration time is fixed at 1 PLC.
- The only way to control the reading rate for ac measurements is by changing the channel delay (*see page 88*) or by setting the ac filter to the highest frequency limit (*see page 114*).
- The specified integration time is used for all measurements on the selected channel. If you have applied Mx+B scaling or have assigned alarms to the selected channel, those measurements are also made using the specified integration time. Measurements taken during the Monitor function also use the specified integration time.
- The following table shows the relationship between integration time, measurement resolution, number of digits, and number of bits.

| Integration Time | Resolution | Digits | Bits |
|------------------|------------------------------|------------------|-----------|
| 0.02 PLC | < 0.0001 x Range | 4½ Digits | 15 |
| 0.2 PLC | < 0.00001 x Range | 5½ Digits | 18 |
| 1 PLC | < 0.000003 x Range | 5½ Digits | 20 |
| 2 PLC | < 0.0000022 x Range | 6½ Digits | 21 |
| 10 PLC | < 0.000001 x Range | 6½ Digits | 24 |
| 20 PLC | < 0.0000008 x Range | 6½ Digits | 25 |
| 100 PLC | < 0.0000003 x Range | 6½ Digits | 26 |
| 200 PLC | < 0.00000022 x Range | 6½ Digits | 26 |

- The instrument selects 1 PLC when the measurement function is changed and after a Factory Reset (*RST command). An Instrument Preset (SYSTem:PRESet command) or Card Reset (SYSTem:CPON command) *does not* change the integration time setting.
- *Front-Panel Operation:* First, select the measurement function on the active channel. Then, go to the *Advanced* menu and select one of the choices in PLCs for the active channel.

 INTEG 2 PLC

To select the aperture time, select INTEGRATE T from the *Advanced* menu and then specify a value in seconds for the active channel.

 INTEGRATE T

- *Remote Interface Operation:* You can set the integration time using the SENSE commands. For example, the following statement specifies an integration time of 10 PLC for dc voltage measurements on channel 301.

```
SENS:VOLT:DC:NPLC 10, (@301)
```

You can also select an aperture time using the SENSE commands. For example, the following statement specifies an aperture time of 2 ms for resistance measurements on channel 104.

```
SENS:RES:APER 0.002, (@104)
```

Autozero

When autozero is *enabled* (default), the instrument internally disconnects the input signal following each measurement, and takes a *zero reading*. It then subtracts the zero reading from the preceding reading. This prevents offset voltages present on the instrument's input circuitry from affecting measurement accuracy.

When autozero is *disabled*, the instrument takes one zero reading and subtracts it from all subsequent measurements. It takes a new zero reading each time you change the function, range, or integration time.

- Applies to temperature, dc voltage, 2-wire ohms, and dc current measurements only. Autozero is enabled when you select 4-wire ohms measurements.
- The autozero mode is set indirectly when you set the resolution and integration time. Autozero is automatically turned off when you select an integration time less than 1 PLC.
- You can set autozero from the remote interface only; you cannot directly set autozero from the front panel.
- The autozero setting is stored in *non-volatile* memory, and *does not* change when power has been off, after a Factory Reset (*RST command), or after an Instrument Preset (SYSTEM:PRESet command).
- *Remote Interface Operation:* The OFF and ONCE parameters have a similar effect. Autozero OFF *does not* issue a new zero measurement. Autozero ONCE issues an immediate zero measurement.

```
ZERO:AUTO {OFF|ONCE|ON} [ , (@<ch_list> ) ]
```

Temperature Measurement Configuration

This section contains information to help you configure the instrument for making temperature measurements. For more information on the types of temperature transducers, see “Temperature Measurements” starting on page 345 in chapter 8.

The instrument supports direct measurement of thermocouples, RTDs, and thermistors. The instrument supports the following specific types of transducers in each category:

| Thermocouples Supported | RTDs Supported | Thermistors Supported |
|-------------------------|--|---|
| B, E, J, K, N, R, S, T | $R_0 = 49\Omega$ to 2.1 k Ω $\alpha = 0.00385$ (DIN/IEC 751) $\alpha = 0.00391$ | 2.2 k Ω , 5 k Ω , 10 k Ω , 44000 Series |

Measurement Units

- The instrument can report temperature measurements in °C (Celsius), °F (Fahrenheit), or K (Kelvins). You can mix temperature units on different channels within the instrument and on the same module.
- The instrument selects Celsius when the probe type is changed and after a Factory Reset (*RST command). An Instrument Preset (SYSTEM:PRESet command) or Card Reset (SYSTEM:CPON command) *does not* change the units setting.
- Setting the Mx+B measurement label to °C, °F, or K has *no effect* on the temperature measurement units currently selected.
- *Front-Panel Operation:* First, select the temperature function on the active channel. Then, select the temperature units.

 UNITS °F

- *Remote Interface Operation:*

```
UNIT:TEMP F, (@103)
```


Thermocouple Measurements

To connect a thermocouple to the module's screw terminals, see page 21.


- The instrument supports the following thermocouple types: B, E, J, K, N, R, S, and T using ITS-90 software conversions. *The default is a J-Type thermocouple.*
- Thermocouple measurements require a reference junction temperature. For the reference junction temperature, you can use an internal measurement on the module, an external thermistor or RTD measurement, or a known fixed junction temperature.
- If you select an external reference, the instrument automatically reserves channel 01 on the multiplexer in the *lowest* slot as the reference channel (thermistor or RTD measurement). If you have more than one multiplexer installed, channel 01 on the module in the lowest slot is used as the reference for the entire instrument.
- Before configuring a thermocouple channel with an external reference, you must configure the reference channel (channel 01) for a thermistor or RTD measurement. An error is generated if you attempt to select the external reference source before configuring the reference channel. An error is also generated if you change the function on the reference channel after selecting the external reference for a thermocouple channel.
- If you select a fixed reference temperature, specify a value between $-20\text{ }^{\circ}\text{C}$ and $+80\text{ }^{\circ}\text{C}$ (always specify the temperature in $^{\circ}\text{C}$ regardless of the temperature units currently selected).
- The accuracy of the measurement is highly dependent upon the thermocouple connections and the type of reference junction used. Use a fixed temperature reference for the highest accuracy measurements. The internal isothermal block reference provides the lowest accuracy measurements. For more information on reference junction temperature measurements and associated errors, see the sections on pages 345 and 352.
- The *thermocouple check* feature allows you to verify that your thermocouples are properly connected to the screw terminals for measurements. If you enable this feature, the instrument measures the channel resistance after each thermocouple measurement to ensure a proper connection. If an open connection is detected (greater than $5\text{ k}\Omega$ on the $10\text{ k}\Omega$ range), the instrument reports an overload condition for that channel (or displays "OPEN T/C" on the front panel).

Chapter 4 Features and Functions
Temperature Measurement Configuration


- *Front-Panel Operation:* To select the thermocouple function on the active channel, choose the following items.

 TEMPERATURE , THERMOCOUPLE

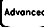
To select the thermocouple type for the active channel, choose the following item.

 J TYPE T/C

To enable the thermocouple check feature on the active channel (opens are reported as “OPEN T/C”), choose the following item.

 T/C CHECK ON

To select the reference junction source for the active channel, choose one of the following items.

 INTERNAL REF , EXTERNAL REF , FIXED REF

Note: Before selecting an external source, be sure to configure channel 01 in the lowest slot for a thermistor or RTD measurement.

Chapter 4 Features and Functions

Temperature Measurement Configuration

- *Remote Interface Operation:* You can use the MEASure? or CONFigure command to select the probe type and thermocouple type. For example, the following statement configures channel 301 for a J-type thermocouple measurement.

```
CONF:TEMP TC,J,(@301)
```

You can also use the SENSE command to select the probe type and thermocouple type. For example, the following statement configures channel 203 for a J-type thermocouple measurement.

```
SENS:TEMP:TRAN:TC:TYPE J,(@203)
```

The following statements use the SENSE command to set a fixed reference junction temperature of 40 degrees (always in °C) on channel 203.

```
SENS:TEMP:TRAN:TC:RJUN:TYPE FIXED,(@203)  
SENS:TEMP:TRAN:TC:RJUN 40,(@203)
```


The following statement enables the thermocouple check feature on the specified channels (opens are reported as "+9.9000000E+37").

```
SENS:TEMP:TRAN:TC:CHECK ON,(@203,301)
```


RTD Measurements

To connect an RTD to the module's screw terminals, see page 21.

- The instrument supports RTDs with $\alpha = 0.00385$ (DIN/IEC 751) using ITS-90 software conversions or $\alpha = 0.00391$ using IPTS-68 software conversions. *The default is $\alpha = 0.00385$.*
- The resistance of an RTD is nominal at 0 °C and is referred to as R_0 . The instrument can measure RTDs with R_0 values from 49 Ω to 2.1 k Ω . *The default is $R_0 = 100\Omega$.*
- "PT100" is a special label that is sometimes used to refer to an RTD with $\alpha = 0.00385$ and $R_0 = 100\Omega$.
- You can measure RTDs using a 2-wire or 4-wire measurement method. The 4-wire method provides the most accurate way to measure small resistances. Connection lead resistance is automatically removed using the 4-wire method.
- For 4-wire RTD measurements, the instrument automatically pairs channel n with channel $n+10$ (34901A) or $n+8$ (34902A) to provide the source and sense connections. For example, make the *source* connections to the HI and LO terminals on channel 2 and the *sense* connections to the HI and LO terminals on channel 12.
- *Front-Panel Operation:* To select the 2-wire or 4-wire RTD function for the active channel, choose the following items.

 TEMPERATURE , RTD , RTD 4W

To select the nominal resistance (R_0) for the active channel, choose the following item.

 $R_0:100.000,0$ OHM

To select the RTD type ($\alpha = 0.00385$ or 0.00391) for the active channel, choose the following item.

 ALPHA 0.00385

- *Remote Interface Operation:* You can use the MEASure? or CONFigure command to select the probe type and RTD type. For example, the following statement configures channel 301 for 2-wire measurements of an RTD with $\alpha = 0.00385$ (use “85” to specify $\alpha = 0.00385$ or “91” to specify $\alpha = 0.00391$).

```
CONF:TEMP RTD,85,(@301)
```

You can also use the SENSE command to select the probe type, RTD type, and nominal resistance. For example, the following statement configures channel 103 for 4-wire measurements of an RTD with $\alpha = 0.00391$ (channel 103 is automatically paired with channel 113 for the 4-wire measurement).

```
SENS:TEMP:TRAN:FRTD:TYPE 91,(@103)
```

The following statement sets the nominal resistance (R_0) to 1000Ω on channel 103.

```
SENS:TEMP:TRAN:FRTD:RES 1000,(@103)
```

Thermistor Measurements

To connect a thermistor to the module's screw terminals, see page 21.

- The instrument supports 2.2 k Ω (44004), 5 k Ω (44007), and 10 k Ω (44006) thermistors.
- *Front-Panel Operation:* To select the thermistor function for the active channel, choose the following items.

 TEMPERATURE , THERMISTOR

To select the thermistor type for the active channel, choose from the following items.

 TYPE 2.2 KOHM , TYPE 5 KOHM , TYPE 10 KOHM

- *Remote Interface Operation:* You can use the MEASure? or CONFigure command to select the probe type and thermistor type. For example, the following statement configures channel 301 for measurements of a 5 k Ω thermistor:

```
CONF:TEMP THER,5000,(@301)
```

You can also use the SENSE command to select the probe type and thermistor type. For example, the following statement configures channel 103 for measurements of a 10 k Ω thermistor:

```
SENS:TEMP:TRAN:THERM:TYPE 10000,(@103)
```

Voltage Measurement Configuration

To connect voltage sources to the module's screw terminals, see page 21.

This section contains information to help you configure the instrument for making voltage measurements. The instrument can measure dc and true RMS ac-coupled voltages on the measurement ranges shown below.

| | | | | | |
|--------|-----|------|-------|-------|-----------|
| 100 mV | 1 V | 10 V | 100 V | 300 V | Autorange |
|--------|-----|------|-------|-------|-----------|

DC Input Resistance

Normally, the instrument's input resistance is fixed at 10 M Ω for all dc voltage ranges to minimize noise pickup. To reduce the effects of measurement loading errors, you can set the input resistance to greater than 10 G Ω for the 100 mVdc, 1 Vdc, and 10 Vdc ranges.

Applies to dc voltage measurements only.

| Input Resistance Setting | Input Resistance 100 mV, 1 V, 10 V ranges | Input Resistance 100 V, 300 V ranges |
|--------------------------|--|---|
| Input R Auto OFF | 10 M Ω | 10 M Ω |
| Input R Auto ON | > 10 G Ω | 10 M Ω |

- The instrument selects 10 M Ω (fixed input resistance on all dc voltage ranges) when the measurement function is changed or after a Factory Reset (*RST command). An Instrument Preset (SYSTEM:PRESet command) or Card Reset (SYSTEM:CPON command) *does not* change the input resistance setting.
- *Front-Panel Operation:* First, select the dc voltage function on the active channel. Then, go to the *Advanced* menu and select 10 M Ω (fixed resistance for all dc voltage ranges) or >10 G Ω . *The default is 10 M Ω .*

 INPUT R >10 G

- *Remote Interface Operation:* You can enable or disable the automatic input resistance mode on the specified channels. With AUTO OFF (default), the input resistance is fixed at 10 MΩ for all ranges. With AUTO ON, the input resistance is set to >10 GΩ for the three lowest dc voltage ranges. The MEASure? and CONFigure commands automatically select AUTO OFF.

INPUT:IMPEDANCE:AUTO ON, (@103)


AC Low Frequency Filter

The instrument uses three different ac filters which enable you to either optimize low frequency accuracy or achieve faster ac settling times. The instrument selects the *slow*, *medium*, or *fast* filter based on the input frequency that you specify for the selected channels.

Applies to ac voltage and ac current measurements only.

| Input Frequency | Default Settling Delay | Minimum Settling Delay |
|---------------------------|------------------------|------------------------|
| 3 Hz to 300 kHz (Slow) | 7 seconds / reading | 1.5 seconds |
| 20 Hz to 300 kHz (Medium) | 1 second / reading | 0.2 seconds |
| 200 Hz to 300 kHz (Fast) | 0.12 seconds / reading | 0.02 seconds |

- The instrument selects the *medium* filter (20 Hz) when the function is changed or after a Factory Reset (*RST command). An Instrument Preset (SYSTEM:PRESet command) or Card Reset (SYSTEM:CPON command) *does not* change the setting.
- *Front-Panel Operation:* First, select the ac voltage (or ac current) function on the active channel. Then, go to the *Advanced* menu and select the slow filter (3 Hz), medium filter (**20 Hz**), or fast filter (200 Hz) for the active channel. *The default is the medium filter.*

 LF 3 HZ: SLOW

- *Remote Interface Operation:* Specify the lowest frequency expected in the input signal on the specified channels. The instrument selects the appropriate filter based on the frequency you specify (*see table above*). The MEASure? and CONFigure commands automatically select the 20 Hz (medium) filter.

SENS:VOLT:AC:BAND 3, (@203) *Select the slow filter (3 Hz)*

Resistance Measurement Configuration

To connect resistances to the module's screw terminals, see page 21.

This section contains information to help you configure the instrument for making resistance measurements. Use the 2-wire method for ease of wiring and higher density or the 4-wire method for improved measurement accuracy. The measurement ranges are shown below.

| | | | | | | | |
|------|------|-------|--------|------|-------|--------|-----------|
| 100Ω | 1 kΩ | 10 kΩ | 100 kΩ | 1 MΩ | 10 MΩ | 100 MΩ | Autorange |
|------|------|-------|--------|------|-------|--------|-----------|

Offset Compensation

Offset compensation removes the effects of any dc voltages in the circuit being measured. The technique involves taking the difference between two resistance measurements on the specified channels, one with the current source turned on and one with the current source turned off.

Applies only to 2-wire and 4-wire ohms measurements on the 100Ω, 1 kΩ, and 10 kΩ ranges.

- For detailed information about offset compensation, see page 371.
- The instrument disables offset compensation when the measurement function is changed or after a Factory Reset (*RST command). An Instrument Preset (SYSTem:PRESet command) or Card Reset (SYSTem:CPON command) *does not* change the setting.
- *Front-Panel Operation:* First, select the 2-wire or 4-wire ohms function on the active channel. Then, go to the *Advanced* menu and enable or disable offset compensation.

 OCOMP ON

- *Remote Interface Operation:*

```
RES:OCOM ON, (@203)   Enable offset compensation (2-wire)
FRES:OCOM ON, (@208)  Enable offset compensation (4-wire)
```

For 4-wire measurements, specify the paired channel in the lower bank (source) as the *ch_list* parameter.

Current Measurement Configuration

To connect a current source to the module's screw terminals, see page 21.

This section contains information to help you configure the instrument for making current measurements on the 34901A multiplexer module. This module has two fused channels for direct dc and ac current measurements on the measurement ranges shown below.

| | | | |
|-------|--------|-----|-----------|
| 10 mA | 100 mA | 1 A | Autorange |
|-------|--------|-----|-----------|

Note: *Current measurements are allowed only on channels 21 and 22 on the 34901A module.*

AC Low Frequency Filter

The instrument uses three different ac filters which enable you to either optimize low frequency accuracy or achieve faster ac settling times. The instrument selects the *slow*, *medium*, or *fast* filter based on the input frequency that you specify for the selected channels.

Applies to ac current and ac voltage measurements only.


| Input Frequency | Default Settling Delay | Minimum Settling Delay |
|---------------------------|------------------------|------------------------|
| 3 Hz to 300 kHz (Slow) | 7 seconds / reading | 1.5 seconds |
| 20 Hz to 300 kHz (Medium) | 1 second / reading | 0.2 seconds |
| 200 Hz to 300 kHz (Fast) | 0.12 seconds / reading | 0.02 seconds |

- The instrument selects the *medium* filter (20 Hz) when the function is changed or after a Factory Reset (*RST command). An Instrument Preset (SYSTEM:PRESet command) or Card Reset (SYSTEM:CPON command) *does not* change the setting.

Chapter 4 Features and Functions

Current Measurement Configuration

- *Front-Panel Operation:* First, select the ac current (or ac voltage) function on the active channel. Then, go to the *Advanced* menu and select the slow filter (3 Hz), medium filter (**20 Hz**), or fast filter (200 Hz) for the active channel. *The default is the medium filter.*

 LF 3 HZ: SLOW

- *Remote Interface Operation:* Specify the lowest frequency expected in the input signal on the specified channels. The instrument selects the appropriate filter based on the frequency you specify (*see table on previous page*). The MEASure? and CONFIgure commands automatically select the 20 Hz (medium) filter.

SENS:CURR:AC:BAND 3, (@221) *Select the slow filter (3 Hz)*

Frequency Measurement Configuration

To connect an ac source to the module's screw terminals, see page 21.

Low Frequency Timeout

The instrument uses three different timeout ranges for frequency measurements. The instrument selects a *slow*, *medium*, or *fast* timeout based on the input frequency that you specify for the selected channels.

| Input Frequency | Timeout |
|---------------------------|---------|
| 3 Hz to 300 kHz (Slow) | 1 s |
| 20 Hz to 300 kHz (Medium) | 100 ms |
| 200 Hz to 300 kHz (Fast) | 10 ms |

- The instrument selects the *medium* timeout (20 Hz) when the function is changed or after a Factory Reset (*RST command). An Instrument Preset (SYSTEM:PRESet command) or Card Reset (SYSTEM:CPON command) *does not* change the setting.
- *Front-Panel Operation:* First, select the frequency function on the active channel. Then, go to the *Advanced* menu and select the slow timeout (3 Hz), medium timeout (**20 Hz**), or fast timeout (200 Hz) for the active channel. *The default is the medium timeout value.*



LF 3 HZ: SLOW

- *Remote Interface Operation:* Specify the lowest frequency expected in the input signal on the specified channels. The instrument selects the appropriate timeout based on the frequency you specify (*see table above*). The MEASure? and CONFigure commands automatically select the 20 Hz (medium) timeout.

SENS:FREQ:RANG:LOW 3, (@203) *Select the slow timeout (3 Hz)*

Mx+B Scaling

The scaling function allows you to apply a *gain* and *offset* to all readings on a specified multiplexer channel during a scan. In addition to setting the gain (“M”) and offset (“B”) values, you can also specify a custom measurement label for your scaled readings (RPM, PSI, etc.). You can apply scaling to any multiplexer channels and for any measurement function. Scaling *is not* allowed with any of the digital channels on the multifunction module.

- Scaling is applied using the following equation:

$$\text{Scaled Reading} = (\text{Gain} \times \text{Measurement}) - \text{Offset}$$

- You must configure the channel (function, transducer type, etc.) before applying any scaling values. If you change the measurement configuration, scaling is turned off on that channel and the gain and offset values are reset (M=1 and B=0). Scaling is also turned off when you change the temperature probe type, temperature units, or disable the internal DMM.
- If you plan to use scaling on a channel which will also use alarms, *be sure to configure the scaling values first*. If you attempt to assign the alarm limits first, the instrument will turn off alarms and clear the limit values when you enable scaling on that channel. If you specify a custom measurement label with scaling, it is automatically used when alarms are logged on that channel.
- If you remove a channel from the scan list (by selecting CHANNEL OFF from the front panel or by redefining the scan list from the remote interface), scaling is turned off for that channel but the gain and offset values *are not* cleared. If you decide to add that channel back to the scan list (without changing the function), the original gain and offset values are restored and scaling is turned back on. This makes it easy to temporarily remove a channel from the scan list without entering the scaling values again.
- You can make a null measurement on a channel and store it as the offset (“B”) for subsequent measurements. This allows you to adjust for voltage or resistive offsets through your wiring to the point of the measurement.

Mx+B Scaling

- During a Monitor operation, the gain and offset values are applied to all readings on the specified channel.
- You can specify a custom label with up to three characters. You can use letters (A-Z), numbers (0-9), an underscore (_), or the “#” character which displays a degree symbol (°) on the front panel (displayed as a blank space in an output string from the remote interface). The first character must be a letter or the “#” character (the “#” character is allowed only as the leftmost character in the label). The remaining two characters can be letters, numbers, or an underscore.

Note: If you set the measurement label to °C, °F, or K, note that this has **no effect** on the temperature units set in the **Measure** menu.

- Although the instrument does not directly support strain gage measurements, you can measure a strain gage using a 4-wire resistance measurement with scaling. For more information, refer to “Strain Gage Measurements” on page 373.

Note: Agilent BenchLink Data Logger software has built-in strain gage measurement capability.

Use the following equations to calculate the gain and offset.

$$M = \frac{1}{GF \times R_0} \quad B = -\frac{1}{GF}$$

Where GF is the gage factor and R_0 is the unstrained gage resistance. For example, a 350Ω strain gage with a gage factor of 2 would use the following gain and offset values: $M=0.001428571$, $B=-0.5$ (be sure to use 6½ digits of resolution for this measurement).

- The maximum gain allowed is ±1E+15 and the maximum offset allowed is ±1E+15.
- The MEASure? and CONFigure commands automatically set the gain (“M”) to 1 and offset (“B”) to 0.
- A Factory Reset (*RST command) turns off scaling and clears the scaling values on all channels. An Instrument Preset (SYSTEM:PRESet command) or Card Reset (SYSTEM:CPON command) *does not* clear the scaling values and *does not* turn off scaling.

Mx+B Scaling

- *Front-Panel Operation:* The menu automatically guides you through the gain, offset, and measurement label settings.

Mx+B SET GAIN , SET OFFSET , SET LABEL

To reset the gain, offset, and measurement label to their defaults, go to the corresponding level in the menu and turn the knob. To turn scaling off (without clearing the gain and offset values), go to the first level in the menu and select SCALING OFF.

Mx+B SET GAIN TO 1 , SET OFST TO 0 , DEFAULT LABEL

To make a null measurement and store it as the offset, go to SET OFFSET in the menu and turn the knob.

Mx+B MEAS OFFSET

- *Remote Interface Operation:* Use the following commands to set the gain, offset, and custom measurement label.

```
CALC:SCALE:GAIN 1.2,(@101)
CALC:SCALE:OFFSET 10,(@101)
CALC:SCALE:UNIT 'PSI',(@101)
```

After setting the gain and offset values, send the following command to enable the scaling function on the specified channel.

```
CALC:SCALE:STATE ON,(@101)
```

To make a null measurement and store it as the offset, send the following command.

```
CALC:SCALE:OFFSET:NULL (@101)
```

Alarm Limits

The instrument has four alarms which you can configure to alert you when a reading exceeds specified limits on a channel during a scan. You can assign a high limit, a low limit, or both to any configured channel in the scan list. You can assign multiple channels to any of the four available alarms (numbered 1 through 4). For example, you can configure the instrument to generate an alarm on the Alarm 1 output when a limit is exceeded on any of channels 103, 205, or 320.

You can also assign alarms to channels on the multifunction module. For example, you can generate an alarm when a specific bit pattern or bit pattern change is detected on a digital input channel or when a specific count is reached on a totalizer channel. With the multifunction module, the channels *do not* have to be part of the scan list to generate an alarm. *For complete details, see "Using Alarms With the Multifunction Module" on page 130.*

Alarm data can be stored in one of two locations depending on whether a scan is running when the alarm occurs.

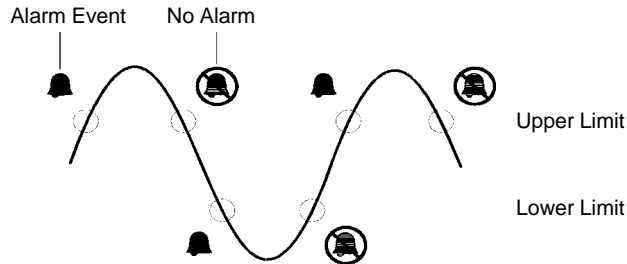
1. If an alarm event occurs on a channel as it is being scanned, then that channel's alarm status is stored in *reading memory* as the readings are taken. Each reading that is outside the specified alarm limits is logged in memory. You can store up to 50,000 readings in memory during a scan. You can read the contents of reading memory at any time, even during a scan. Reading memory *is not* cleared when you read it.
2. As alarm events are generated, they are also logged in an *alarm queue*, which is separate from reading memory. This is the *only* place where non-scanned alarms get logged (alarms during a monitor, alarms generated by the multifunction module, etc.). Up to 20 alarms can be logged in the alarm queue. If more than 20 alarm events are generated, they will be lost (only the first 20 alarms are saved). Even if the alarm queue is full, the alarm status is still stored in reading memory during a scan. The alarm queue is cleared by the *CLS (clear status) command, when power is cycled, and by reading all of the entries. A Factory Reset (*RST command) *does not* clear the alarm queue.

Alarm Limits

- You can assign an alarm to any configured channel and multiple channels can be assigned to the same alarm number. However, you cannot assign alarms on a specific channel to more than one alarm number.
- When an alarm occurs, the instrument stores relevant information about the alarm in the queue. This includes the reading that caused the alarm, the time of day and date of the alarm, and the channel number on which the alarm occurred. The information stored in the alarm queue is always in absolute time format and is not affected by the `FORMat:READing:TIME:TYPE` command setting.
- You must configure the channel (function, transducer type, etc.) before setting any alarm limits. If you change the measurement configuration, alarms are turned off and the limit values are cleared. Alarms are also turned off when you change the temperature probe type, temperature units, or disable the internal DMM.
- If you plan to use alarms on a channel which will also use scaling, *be sure to configure the scaling values first*. If you attempt to assign the alarm limits first, the instrument will turn off alarms and clear the limit values when you enable scaling on that channel. If you specify a custom measurement label with scaling, it is automatically used when alarms are logged on that channel.
- If you remove a channel from the scan list (by selecting CHANNEL OFF from the front panel or by redefining the scan list from the remote interface), alarms are no longer evaluated on that channel (during a scan) but the limit values *are not* cleared. If you decide to add that channel back to the scan list (without changing the function), the original limit values are restored and alarms are turned back on. This makes it easy to temporarily remove a channel from the scan list without entering the alarm values again.
- Each time you start a new scan, the instrument clears all readings (including alarm data) stored in reading memory from the previous scan. Therefore, the contents of reading memory are always from the most recent scan.

Alarm Limits

- Alarms are logged in the alarm queue only when a reading crosses a limit, not while it remains outside the limit and not when it returns to within limits.



- Four TTL alarm outputs are available on the rear-panel *Alarms* connector. You can use these hardware outputs to trigger external alarm lights, sirens, or send a TTL pulse to your control system. You can also initiate a scan sweep (no external wiring required) when an alarm event is logged on a channel. *For complete details, refer to “Using the Alarm Output Lines” on page 128.*
- The following table shows the different combinations of front-panel annunciators that may appear while using alarms.

| | |
|--------------|---|
| | An alarm is enabled on the displayed channel. |
| | The indicated HI or LO limit is being configured on the indicated alarm (shown while in the <i>Alarm</i> menu). |
| | An alarm has occurred on one or more channels. The behavior of the alarm output lines tracks the alarm annunciators on the front panel. |
| ALARM | The alarm output lines have been cleared but alarms remain in the queue. |

- In addition to being stored in reading memory, alarms are also recorded in their own SCPI status system. You can configure the instrument to use the status system to generate a Service Request (SRQ) when alarms are generated. *See “The SCPI Status System,” starting on page 275 for more information.*
- The default values for the upper and lower alarm limits are “0”. The lower limit must *always* be less than or equal to the upper limit, even if you are using only one of the limits.

Alarm Limits

- For details on configuring alarms on the multifunction module, see “Using Alarms With the Multifunction Module” on page 130.
- A Factory Reset (*RST command) clears all alarm limits and turns off all alarms. An Instrument Preset (SYSTEM:PRESet command) or Card Reset (SYSTEM:CPON command) *does not* clear the alarm limits and *does not* turn off alarms.
- *Front-Panel Operation:* To select the alarm for use on the active channel, choose from the following items.

```
Alarm NO ALARM , USE ALARM 1 , ... USE ALARM 4
```

Then, choose from the following alarm conditions.

```
Alarm HI+LO ALARMS , HI ALARM ONLY , LO ALARM ONLY
```

Then, set the desired limit values and exit the menu. Note that the instrument does not start evaluating the alarm conditions until you exit the *Alarm* menu.

- *Remote Interface Operation:* To assign the alarm number to report any alarm conditions on the specified channels, use the following command (if not assigned, all alarms on all channels are reported on Alarm 1 by default).

```
OUTPUT:ALARM2:SOURCE (@103,212)
```

To set the upper and lower alarm limits on the specified channels, use the following commands.

```
CALC:LIMIT:UPPER 5.25, (@103,212)
CALC:LIMIT:LOWER 0.025, (@103,212)
```

To enable the upper and lower alarm limits on the specified channels, use the following commands.

```
CALC:LIMIT:UPPER:STATE ON, (@103,212)
CALC:LIMIT:LOWER:STATE ON, (@103,212)
```

Viewing Stored Alarm Data

If an alarm occurs on a channel as it is being scanned, then that channel's alarm status is stored in *reading memory* as the readings are taken. As alarm events are generated, they are also logged in an *alarm queue*, which is separate from reading memory. This is the *only* place where non-scanned alarms get logged (alarms during a monitor, alarms generated by the multifunction module, etc.).

- You can store up to 50,000 readings in memory during a scan. You can read the contents of reading memory at any time, even during a scan. Reading memory *is not* cleared when you read it.
- Each time you start a new scan, the instrument clears all readings (including alarm data) stored in reading memory from the previous scan. Therefore, the contents of memory are always from the most recent scan.
- Up to 20 alarms can be logged in the alarm queue. If more than 20 alarms are generated, they will be lost (only the first 20 alarms are saved).
- The alarm queue is cleared by the *CLS (clear status) command, when power is cycled, and by reading all of the entries. A Factory Reset (*RST command) or Instrument Preset (SYSTEM:PRESet command) *does not* clear the alarm queue.
- *Front-Panel Operation:* From the front panel, you can view the first 20 alarms in the queue. After turning the knob to the desired channel, press ◀ and ▶ to view either the alarm reading or the time that the alarm occurred. Notice that the annunciators indicate which alarm is being viewed.

 ALARMS

Note: The alarm queue is cleared when you read the alarms.

Alarm Limits

- *Remote Interface Operation:* The following command reads data from the alarm queue (one alarm event is read and cleared each time this command is executed).

```
SYSTEM:ALARM?
```

The following is an example of an alarm stored in the alarm queue (if no alarm data is in the queue, the command returns “0” for each field).

```
3.10090000E+01 C , 1997,05,01 , 14,39,40.058 , 101 , 2 , 1
```

①
②
③
④
⑤
⑥

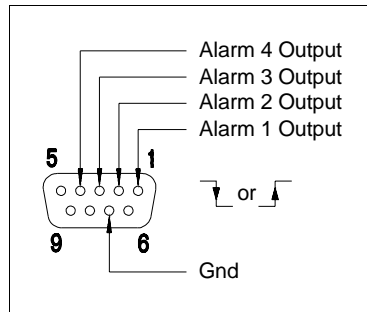
-
- | | |
|--|--|
| <p>1 Reading with Units (31.009 °C)</p> <p>2 Date (May 1, 1997)</p> <p>3 Time (2:39:40.058 PM)</p> | <p>4 Channel Number</p> <p>5 Limit Threshold Crossed (0 = No Alarm, 1 = LO, 2 = HI)</p> <p>6 Alarm Number Reported (1, 2, 3, or 4)</p> |
|--|--|

The following command retrieves scanned readings and alarm data from reading memory (the readings are not erased).

```
FETCH?
```

Alarm Limits**Using the Alarm Output Lines**

Four TTL alarm outputs are available on the rear-panel *Alarms* connector. You can use these hardware outputs to trigger external alarm lights, sirens, or send a TTL pulse to your control system. You can assign an alarm to any configured channel and multiple channels can be assigned to the same alarm number. Each alarm output line represents the logical “OR” of all channels assigned to that alarm number (an alarm on any of the associated channels will pulse the line).

**Alarms Connector**

You can configure the behavior of the alarm output lines as described below. The behavior of the alarm annunciators on the front panel also tracks the alarm output configuration. The configuration that you select is used for all four alarm output lines. A Factory Reset (*RST command) clears all four alarm outputs but *does not* clear the alarm queue in either configuration.

- **Latch Mode:** In this mode, the corresponding output line is latched true when the first alarm occurs and remains asserted until you clear it by initiating a new scan or cycling power. You can manually clear the output lines at any time (even during a scan) and the alarm data in memory *is not* cleared (however, data is cleared when you initiate a new scan).
- **Track Mode:** In this mode, the corresponding output line is asserted only when a reading crosses a limit and remains outside the limit. When a reading returns to within limits, the output line is automatically cleared. You can manually clear the output lines at any time (even during a scan) and the alarm data in memory *is not* cleared (however, data is cleared when you initiate a new scan). The alarm outputs are also cleared when you initiate a new scan.


Alarm Limits

- You can control the slope of the pulse from the alarm outputs (the selected configuration is used for all four outputs). In the *falling edge* mode, 0V (TTL low) indicates an alarm. In the *rising edge* mode, +5V (TTL high) indicates an alarm. A Factory Reset (*RST command) will reset the slope to *falling edge*.



Note: Changing the slope of the output lines may cause the lines to change state.

- Front-Panel Operation:** To specify if you want to manually clear all four alarm outputs, choose from the following items.

 DO NOT CLEAR , CLEAR OUTPUTS

To select the output configuration for all four output lines, choose from the following items.

 LATCH ON FAIL , TRACK PASS/F

To configure the slope of all four output lines, choose from the following items.

 FAIL = HIGH , FAIL = LOW

- Remote Interface Operation:** To clear the specified output lines (or to clear all four lines), use one of the following commands.

OUTPUT:ALARM2:CLEAR *Clear alarm output line 2*
 OUTPUT:ALARM:CLEAR:ALL *Clear all four alarm outputs*

To select the output configuration for all four output lines, use the following command.

OUTPut:ALARm:MODE {LATCh|TRACk}

To configure the slope of all four output lines, use the following command.

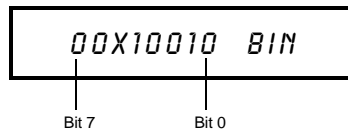
OUTPut:ALARm:SLOPe {NEGative|POSitive}

Using Alarms With the Multifunction Module

You can configure the instrument to generate an alarm when a specific bit pattern or bit pattern change is detected on a digital input channel or when a specific count is reached on a totalizer channel. These channels *do not* have to be part of the scan list to generate an alarm. Alarms are evaluated continuously as soon as you enable them.

- The digital input channels are numbered “**s01**” (lower byte) and “**s02**” (upper byte), where **s** represents the slot number. The totalizer channel is numbered “**s03**”.
- Alarms are evaluated continuously on the multifunction module, but alarm data is stored in reading memory *only* during a scan.
- Each time you start a new scan, the instrument clears all readings (including alarm data) stored in reading memory from the previous scan. However, alarm data stored in the alarm queue from the multifunction module *is not* cleared. Therefore, although the contents of reading memory are always from the most recent scan, the alarm queue may contain data that occurred during previous scans or while the instrument was not scanning.
- *Front-Panel Operation:* To configure an alarm on a digital input channel, choose from the following items and then set the desired bit pattern. Set each bit to “0”, “1”, or “X” (don’t care). You can either specify that an alarm will occur when certain bits change or when a specific 8-bit pattern is read.

 NOT PATTERN , PATTERN MATCH



To configure an alarm on a totalizer channel, select a high limit and then set the desired count for the selected alarm.

 HI ALARM ONLY

Alarm Limits

- *Remote Interface Operation (Digital Input Channel):* To assign the alarm number to report any alarm conditions on the specified digital input channels, use the following command.

```
OUTPut:ALARm[1|2|3|4]:SOURce (@<ch_list>)
```

To configure alarms on the specified digital input channel, use the following commands (*also see the example on the following page*).

```
CALCulate
:COMPare:TYPE {EQUal|NEQual}[ , (@<ch_list> ) ]
:COMPare:DATA <data>[ , (@<ch_list> ) ]
:COMPare:MASK <mask>[ , (@<ch_list> ) ]
```

Select **EQUal** to generate an alarm when the data read from the port is equal to **CALC:COMP:DATA** after being masked by **CALC:COMP:MASK**. Select **NEQual** (*not equal*) to generate an alarm when the data read from the port *is not* equal to **CALC:COMP:DATA** after being masked by **CALC:COMP:MASK**.

Use **CALC:COMP:MASK** to designate the “don’t care” bits. Bits that you set to “0” in the mask are ignored.

To enable the specified alarm mode, send the following command.

```
CALCulate:COMPare:STATE ON [ , (@<ch_list> ) ]
```

Example: Configuring an Alarm on a Digital Input

Assume that you want to generate an alarm when a binary pattern of “1000” is read on the upper four bits of port 1. Send the following commands to configure the port for an alarm.

```
CALC:COMP:TYPE EQUAL, (@301)
CALC:COMP:DATA 128, (@301)
CALC:COMP:MASK 240, (@301)
OUTPUT:ALARM2:SOURCE (@301)
CALC:COMP:STATE ON, (@301)
```

| A | B | X-OR |
|---|---|------|
| 0 | 0 | 0 |
| 0 | 1 | 1 |
| 1 | 0 | 1 |
| 1 | 1 | 0 |

Here are the calculations used to evaluate the alarm (assume that a decimal 146 was read from the port):

| | | |
|-----------------|-------|---|
| Bit 7 | Bit 0 | |
| 1 0 0 1 0 0 1 0 | | <i>Data read from port (decimal 146)</i> |
| 1 0 0 0 0 0 0 0 | | <i>CALC:COMP:DATA command (decimal 128)</i> |
| 0 0 0 1 0 0 1 0 | | <i>“X-OR” result</i> |
| 1 1 1 1 0 0 0 0 | | <i>CALC:COMP:MASK command (decimal 240)</i> |
| 0 0 0 1 0 0 0 0 | | <i>“AND” result (no alarm generated)</i> |

| A | B | AND |
|---|---|-----|
| 0 | 0 | 0 |
| 0 | 1 | 0 |
| 1 | 0 | 0 |
| 1 | 1 | 1 |

Since the calculations produce a non-zero result (decimal 16), an alarm is not generated in this example.

- **Remote Interface Operation (Totalizer Channel):** To assign the alarm number to report any alarm conditions on the specified totalizer channels, use the following command.

```
OUTPut:ALARm[1|2|3|4]:SOURce (@<ch_list>)
```

To configure an alarm on a totalizer channel, specify the desired count as the upper limit using the following command.

```
CALCulate:LIMit:UPPer <count>[, (@<ch_list>)]
```


To enable the upper limit on the specified totalizer channel, use the following command.

```
CALCulate:LIMit:UPPer:STATe ON [, (@<ch_list>)]
```

Digital Input Operations

The multifunction module (34907A) has two non-isolated 8-bit input/output ports which you can use for reading digital patterns. You can read the live status of the bits on the port or you can configure a scan to include a digital read.

- The digital input channels are numbered “s01” (lower byte) and “s02” (upper byte), where *s* represents the slot number.
- You can generate an alarm when a specific bit pattern or bit pattern change is detected on an input channel. With the multifunction module, the channels *do not* have to be part of the scan list to generate an alarm. *For more information, see “Using Alarms With the Multifunction Module” on page 130.*
- When you add a digital read to a scan list, that port is dedicated to the scan. The instrument issues a Card Reset to make that port an input port (the other port is not affected). While included in the scan list, you can still perform low-level read operations on the port, but you cannot perform write operations on the port.
- From the front panel, you can read data from only one 8-bit input port at a time. From the remote interface, you can read both ports simultaneously as a 16-bit word *only* if neither port is in the scan list. If one or both ports are included in the scan list, you can read only one 8-bit port at a time. However, if you have included both ports in the scan list, the data *will* be read from both ports simultaneously and will have the same time stamp. Therefore, you can externally combine the two 8-bit quantities into a 16-bit quantity.
- From the front-panel only, you can specify whether you want to use binary or decimal format (readings are always stored in memory in decimal format). Once you have selected the number base, it is used for all input or output operations on the same port.
- You can monitor a digital input channel even if the channel is not part of the scan list (the internal DMM is not required either).
- A Factory Reset (*RST command), Instrument Preset (SYSTEM:PRESet command), and Card Reset (SYSTEM:CPON command) from the remote interface will reconfigure both ports as input ports.

Note that a  from the front panel resets only the port currently selected (both ports are not reset).

- *Front-Panel Operation:* After selecting the port, press **Read** to read the bit pattern (the least significant bit is on the right). The bit pattern read from the port will be displayed until you press another key, turn the knob, or until the display times out.

To add a digital read to a scan list, choose the following item.

Measure DIO READ

From the front-panel only, you can specify whether you want to use binary or decimal format.

Advanced USE DECIMAL , USE BINARY

- *Remote Interface Operation:* From the remote interface, you can read an 8-bit byte from one port or a 16-bit word from both ports using the following commands. If you are going to read both ports simultaneously, you must send the command to port 01 and neither port can be included in the scan list.

SENS:DIG:DATA:BYTE? (@302) *Read port 02*
SENS:DIG:DATA:WORD? (@301) *Read both ports together*

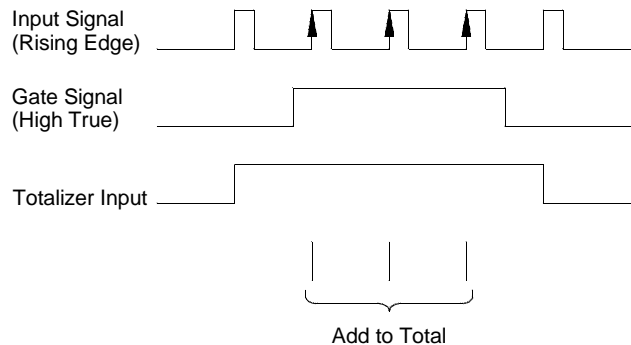
To redefine the scan list to include a digital read (8-bit read only), send the following command.

CONF:DIG:BYTE (@302) *Add port 02 read to scan list*

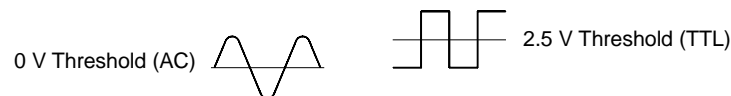
Totalizer Operations

The multifunction module has a 26-bit totalizer which can count TTL pulses at a 100 kHz rate. You can manually read the totalizer count or you can configure a scan to read the count.



- The totalizer channel is numbered “s03”, where *s* represents the slot number.
- You can configure the instrument to count on the rising edge or falling edge of the input signal.
- You can control when the totalizer actually records counts by providing a *gate signal* (G and \bar{G} terminals on the module). A TTL high signal applied to the “G” terminal enables counting and a low signal disables counting. A TTL low signal applied to the “ \bar{G} ” terminal enables counting and a high signal disables counting. The totalizer only counts when both terminals are enabled. You can use either the G terminal, the \bar{G} terminal, or both. *When a gate is not connected, the gate terminal floats to the enabled state, effectively creating a “gate always” condition.*




- Using the hardware jumper labeled “Totalize Threshold” on the module, you can control the threshold at which an edge is detected. Move the jumper to the “AC” position to detect changes through 0 volts. Move the jumper to the “TTL” position (factory setting) to detect changes through TTL threshold levels.



Totalizer Operations

- The maximum count is 67,108,863 ($2^{26} - 1$). The count rolls over to “0” after reaching the maximum allowed value.
- You can configure the totalizer to reset its count after it is read without losing any counts (TOTAlize:TYPE RRESet command). Then, if the totalizer is included in a scan list, the count will be reset on every scan sweep. The count is also reset whenever it is read directly by pressing  from the front panel or when sending the SENSE:TOTAlize:DATA? command.
- You can configure the instrument to generate an alarm when a specific count is reached on a totalizer channel. These channels *do not* have to be part of the scan list to generate an alarm. Alarms are evaluated continuously as soon as you enable them. *For more information, see “Using Alarms With the Multifunction Module” on page 130.*
- You can monitor a totalizer channel even if the channel is not part of the scan list (the internal DMM is not required either). The count on a totalizer channel *is not* reset when it is being monitored (the Monitor ignores the totalizer reset mode).
- A Factory Reset (*RST command), Instrument Preset (SYSTEM:PRESet command), and Card Reset (SYSTEM:CPON command) reset the count to “0”.
- *Front-Panel Operation:* After selecting the totalizer, press  to read the count. If you have selected the READ + RESET mode, the count is reset each time it is read. The count is displayed until you press another key, turn the knob, or until the display times out.

To configure the totalizer reset mode, choose from the following items.

 READ , READ + RESET

To configure the totalizer to count on the falling edge or rising edge of the input signal, choose from the following items.

 COUNT FALLING , COUNT RISING

To add a totalizer read to a scan list, choose the following item.

 TOT READ

- *Remote Interface Operation:* To read the count from the specified totalizer channel, send the following command. The count may be returned with time stamp, channel number, and alarm status information depending on the `FORMat:READing` command setting (see “Reading Format” on page 87 for more information).

```
SENS:TOT:DATA? (@303)
```

To configure the totalizer reset mode, send either of the following commands (`RRESet` means “read and reset”).

```
SENSe:TOTalize:TYPE {READ|RRESet}[, (@<ch_list>)]  
CONFigure:TOTalize {READ|RRESet} , (@<scan_list>)
```

To configure the totalizer to count on the falling edge (*negative*) or rising edge (*positive*) of the input signal, send the following command.

```
SENSe:TOTalize:SLOPe {NEG|POS} , [(@<ch_list>)]
```


To immediately clear the count on the specified totalizer channel (whether scanning or not), send the following command.



```
SENSe:TOTalize:CLear:IMMediate [(@<ch_list>)]
```

Digital Output Operations

The multifunction module (34907A) has two non-isolated 8-bit input/output ports which you can use for outputting digital patterns.

- The digital output channels are numbered “s01” (lower byte) and “s02” (upper byte), where *s* represents the slot number.
- You cannot configure a port for output operations if that port is already configured to be part of the scan list (digital input).
- From the front panel, you can write to one 8-bit output port at a time. From the remote interface, you can write to both ports simultaneously.
- From the front-panel only, you can specify whether you want to use binary or decimal format. Once you have selected the number base, it is used for all input or output operations on the same port.
- A Factory Reset (*RST command), Instrument Preset (SYSTEM:PRESet command), and Card Reset (SYSTEM:CPON command) from the remote interface will reconfigure both ports as input ports.

Note that a  from the front panel resets only the port currently selected (both ports are not reset).

- *Front-Panel Operation:* After selecting the output port, press  to edit the bit pattern or decimal value (the least significant bit is on the right). Press  again to output the bit pattern. To cancel an output operation in progress, wait for the display to time out.

From the front-panel only, you can specify whether you want to use binary or decimal format.

 USE DECIMAL , USE BINARY

- *Remote Interface Operation:* From the remote interface, you can output an 8-bit byte to one port or a 16-bit word to both ports simultaneously using the following commands. You must specify a decimal value (binary data is not accepted). If you are going to read both ports simultaneously, you must send the command to port 01.

```
SOUR:DIG:DATA:BYTE 10 , (@302)      Write to port 02  
SOUR:DIG:DATA:WORD 10327 , (@301)   Write to both ports
```

DAC Output Operations



The multifunction module (34907A) has two low-noise analog outputs capable of outputting calibrated voltages between ± 12 volts with 16 bits of resolution. Each DAC (*Digital-to-Analog Converter*) channel can be used as a programmable voltage source for analog input control of other devices.

- On the multifunction module, the DAC channels are numbered “s04” and “s05”, where *s* represents the slot number.
- You can set the output voltage to any value between +12 Vdc and -12 Vdc, in 1 mV steps. Each DAC is earth referenced; *it cannot float*.
- Each DAC channel is capable of 10 mA maximum output current.

Note: You must limit the output current to 40 mA total for all three slots (six DAC channels).

- A Factory Reset (*RST command), Instrument Preset (SYSTem:PRESet command), and Card Reset (SYSTem:CPON command) from the remote interface will reset both DACs to 0 Vdc.

Note that a  from the front panel resets only the DAC currently selected (both channels are not reset).

- *Front-Panel Operation:* After selecting the desired DAC, press  to edit the output voltage. Press  again to output the specified voltage from the DAC channel.
- *Remote Interface Operation:* The following command outputs +2.5 Vdc from the DAC on channel 05.

```
SOURCE:VOLT 2.5, (@305)
```

System-Related Operations

This section gives information on system-related topics such as storing instrument states, reading errors, running a self-test, displaying messages on the front panel, setting the system clock, disabling the internal DMM, reading the firmware revisions, and reading the relay cycle count.

State Storage

The instrument has six storage locations in non-volatile memory to store instrument states. The locations are numbered 0 through 5. The instrument uses location “0” to automatically hold the state of the instrument at power down. You can also assign a name to each of the locations (1 through 5) for use from the front panel.

- You can store the instrument state in any of the six locations. However, you can only recall a state from a location that contains a previously stored state. You can use location “0” to store a sixth instrument state. However, keep in mind that location “0” is automatically overwritten when power is cycled.
- The instrument stores the state of all modules including all channel configurations, scanning setups, alarm values, and scaling values.
- When shipped from the factory, storage locations “1” through “5” are empty (location “0” has the power-on state).
- When shipped from the factory, the instrument is configured to automatically recall the power-down state (state “0”) when power is restored. You can change the factory configuration such that a Factory Reset (*RST command) is issued when power is restored.
- Before recalling a stored state, the instrument verifies that the same module types are installed in each slot. If a different module type is installed, the instrument will perform the equivalent of a Card Reset (SYSTEM:CPON command) on that slot.
- You can assign a name to the storage locations (you cannot assign a name to location “0”). You can name a location from the front panel or over the remote interface but you can only recall a named state from the front panel. From the remote interface, you can only recall a stored state using a number (0 through 5).

- The name can contain up to 12 characters. The first character *must* be a letter (A-Z), but the remaining 11 characters can be letters, numbers (0-9), or the underscore character (“_”). Blank spaces are not allowed. An error is generated if you specify a name with more than 12 characters.
- A Factory Reset (*RST command) does not affect the configurations stored in memory. Once a state is stored, it remains until it is overwritten or specifically deleted.
- *Front-Panel Operation:*

 NAME STATE , STORE STATE , RECALL STATE

After recalling a stored state, you will notice that a new choice (UNDO RECALL) is added under RECALL STATE. This allows you to cancel the last recall operation and revert to the previous state. You can also select LAST PWR DOWN to recall the state of the instrument at the power-down.

To configure the instrument to recall the power-down state or issue a Factory Reset when power is restored, select from the following.

 PWR ON LAST , PWR ON RESET

- *Remote Interface Operation:* Use the following commands to store and recall instrument states (state “0” is the state of the instrument at power down).

```
*SAV {0|1|2|3|4|5}  
*RCL {0|1|2|3|4|5}
```

To assign a name to a stored state to be recalled from the front panel, send the following command. From the remote interface, you can only recall a stored state using a number (0 through 5).

```
MEM:STATE:NAME 1,TEST_RACK_1
```

To configure the instrument to automatically issue a Factory Reset (*RST command) when power is restored, send the following command.



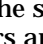
```
MEMory:STATe:RECall:AUTO OFF
```

Error Conditions

When the front-panel **ERROR** annunciator turns on, one or more command syntax or hardware errors have been detected. A record of up to 10 errors is stored in the instrument's *error queue*. See chapter 6 for a complete listing of the errors.

- Errors are retrieved in first-in-first-out (FIFO) order. The first error returned is the first error that was stored. Errors are cleared as you read them. When you have read all errors from the queue, the **ERROR** annunciator turns off and the errors are cleared. The instrument beeps once each time an error is generated.
- If more than 10 errors have occurred, the last error stored in the queue (the most recent error) is replaced with "*Error queue overflow*". No additional errors are stored until you remove errors from the queue. If no errors have occurred when you read the error queue, the instrument responds with "*No error*".
- The error queue is cleared by the *CLS (clear status) command or when power is cycled. The errors are also cleared when you read the queue. The error queue *is not* cleared by a Factory Reset (*RST command) or an Instrument Preset (SYSTem:PRESet command).
- *Front-Panel Operation:*

 ERRORS

If the **ERROR** annunciator is on, press  to view the errors. Use the knob to scroll through the error numbers. Press  to view the text of the error message. Press  again to increase the scrolling speed (the final key press cancels the scroll). All errors are cleared when you exit the menu.

- *Remote Interface Operation:*

SYSTem:ERRor? *Read and clear one error from the queue*


Errors have the following format (the error string may contain up to 80 characters):

-113, "Undefined header"

Self-Test

A *power-on* self-test occurs automatically when you turn on the instrument. This limited test assures you that the instrument and all installed plug-in modules are operational. This self-test does not perform the extensive set of tests that are included as part of the complete self-test described below.

A *complete* self-test runs a series of tests and takes approximately 20 seconds to execute. If all tests pass, you can have a high confidence that the instrument and all installed plug-in modules are operational.



- If the complete self-test is successful, PASS is displayed on the front panel. If the self-test fails, FAIL is displayed and the **ERROR** annunciator turns on. See the *34970A Service Guide* for instructions on returning the instrument to Agilent for service.
- *Front-Panel Operation:* To perform the complete front-panel self-test, hold down  as you turn on the instrument and *hold down the key until you hear a long beep*. The self-test will begin when you release the key following the beep.
- *Remote Interface Operation:*

*TST?

Returns "0" if the self-test is successful or "1" if it fails.

Display Control

For security reasons or for a slight increase in scanning rates, you may want to turn off the front-panel display. From the remote interface, you can also display a 13-character message on the front-display.

- You can only disable the front-panel display by sending a command from the remote interface (you cannot disable the front panel while in local operation).
- When disabled, the entire front-panel display goes blank and all display annunciators except **ERROR** are disabled. All keys except  are locked out when the display is disabled.
- The display is automatically enabled when power is cycled, after a Factory Reset (*RST command), or when you return to local by pressing .
- You can display a message on the front panel by sending a command from the remote interface. The instrument can display up to 13 characters on the front panel; if you attempt to send more than 13 characters, an error is generated. You can use letters (A-Z), numbers (0-9), and special characters like “@”, “%”, “*”, etc. Use the “#” character to display a degree symbol (°). Commas, periods, and semicolons share a display space with the preceding character, and are not considered individual characters. While a message is displayed on the front panel, readings from a scan or monitor are not sent to the display.
- Sending a message to the display from the remote interface overrides the display state; this means that you can display a message even if the display is turned off.
- *Remote Interface Operation:* The following command turns off the front panel display.

```
DISPLAY OFF
```

The following command displays a message on the front panel and turns on the display if disabled.

```
DISP:TEXT 'SCANNING ...'
```

To clear the message displayed on the front panel (without changing the display state), send the following command.

```
DISPLAY:TEXT:CLEAR
```

Real-Time System Clock

During a scan, the instrument stores all readings and alarms with the current time and date. The instrument stores the time and date information in non-volatile memory.

- When shipped from the factory, the instrument is set to the current time and date (U.S. Mountain Time).
- *Front-Panel Operation:*

 TIME 03:45 PM

 JUN 01 1997

- *Remote Interface Operation:* Use the following commands to set the time and date.

SYST:TIME 15,45,00
SYST:DATE 1997,06,01

Set time to 3:45 PM
Set date to June 1, 1997

Internal DMM Disable

You can scan through the configured channels using either the internal DMM or an external instrument. For externally-controlled scans, you must either remove the internal DMM from the instrument or disable it.

- For information on controlling a scan with an external instrument, refer to “Scanning With External Instruments” on page 95.
- When shipped from the factory, the internal DMM is enabled. When you change the state of the internal DMM, the instrument issues a Factory Reset (*RST command).
- A Factory Reset (*RST command) or Instrument Preset (SYSTem:PRESet command) *does not* affect the internal DMM configuration.
- *Front-Panel Operation:*

 DMM ENABLED , DMM DISABLED


- *Remote Interface Operation:*

INSTRument:DMM {OFF|ON}

Firmware Revision Query

The instrument has three microprocessors for control of various internal systems. Each plug-in module also has its own on-board microprocessor. You can query the instrument and each module to determine which revision of firmware is installed for each microprocessor.

- The instrument returns three revision numbers. The first number is the firmware revision number for the measurement processor; the second is the input/output processor; and the third is the front-panel display processor. For each plug-in module, the instrument returns one revision number for the on-board processor.
- *Front-Panel Operation:*

 REV X.X-Y.Y-Z.Z

Turn the knob to read the firmware revision number for the module installed in each of the three slots. If a slot does not contain a module, EMPTY SLOT is displayed.

- *Remote Interface Operation:* Use the following command to read the system firmware revision numbers (be sure to dimension a string variable with at least 40 characters).

```
*IDN?
```

The above command returns a string in the form:

```
HEWLETT-PACKARD,34970A,0,X.X-Y.Y-Z.Z
```

Use the following command to read the firmware revision number of the module in the specified slot (be sure to dimension a string variable with at least 30 characters).

```
SYSTem:CTYPe? {100|200|300}
```

This command returns a string in the form:

```
HEWLETT-PACKARD,34901A,0,X.X
```

Relay Cycle Count

The instrument has a *Relay Maintenance System* to help you predict relay end-of-life. The instrument counts the cycles on each relay in the instrument and stores the total count in non-volatile memory on each switch module. You can use this feature on any of the relay modules and the internal DMM.

- In addition to the channel relays, you can also query the count on backplane relays and bank relays. Note that you cannot control the state of these relays from the front panel but you can query the count. For more information on channel numbering and layout, refer to “Module Overview” starting on page 163.
- You can also query the state of the three relays on the internal DMM. These relays are numbered “1”, “2”, and “3” (which correspond to relays K102, K103, and K104 respectively). These relays open or close when a function or range is changed on a module.
- The 34908A multiplexer contains 40 channels which are switched (HI only) using only 20 relays. Each relay is used to switch HI on two different channels (and only one channel can be closed at a time). The channels are arranged such that channels 01 and 21 use different contacts on the same relay. The remaining channels are also paired in the same manner (channels 02 and 22, channels 03 and 23, etc.). Therefore, when you query the relay count on a channel, the number reflects the number of times that the relay was closed. For example, the relay count will always be the same on channels 01 and 21.
- You can reset the count (allowed only from remote) but the instrument must be unsecured (see “*Calibration Overview*” on page 155 to *unsecure the instrument*).
- For more information on relay life and load considerations, refer to “Relay Life and Preventative Maintenance” starting on page 399.

- *Front-Panel Operation:* To read the count on the active channel, choose the following item and then turn the knob. To read the count on the internal DMM relays, turn the knob counterclockwise beyond the lowest numbered channel in the instrument. To read the “hidden” backplane and bank relays, turn the knob clockwise beyond the highest numbered channel in the current slot.

 RELAY CYCLES

- *Remote Interface Operation:* To read the relay count on either the internal DMM (all three relays) or the specified module channels, send the following commands.

```
DIAG:DMM:CYCLES?  
DIAG:RELAY:CYCLES? (@305,399)
```

To clear the count on either the specified internal DMM relay or the specified module channels (the instrument must be unsecured), send the following commands.

```
DIAG:DMM:CYCLES:CLEAR 2  
DIAG:RELAY:CYCLES:CLEAR (@305,399)
```

SCPI Language Version Query

The instrument complies with the rules and conventions of the present version of SCPI (*Standard Commands for Programmable Instruments*). You can determine the SCPI version with which the instrument is in compliance by sending a command from the remote interface.

You cannot query the SCPI version from the front panel.

- The following command returns the SCPI version.

```
SYSTem:VERSion?
```

Returns a string in the form "YYYY.V", where "YYYY" represents the year of the version, and "V" represents a version number for that year (for example, 1994.0).

Remote Interface Configuration

This section gives information on configuring the instrument for remote interface communication. For more information on configuring the instrument from the front panel, see “To Configure the Remote Interface” starting on page 46. For more information on the SCPI commands available to program the instrument over the remote interface, see chapter 5, “Remote Interface Reference” starting on page 179.

GPIB Address

Each device on the GPIB (IEEE-488) interface must have a unique address. You can set the instrument’s address to any value between 0 and 30. The address is set to “9” when the instrument is shipped from the factory. The GPIB address is displayed at power-on.

You can set the GPIB address from the front panel only.

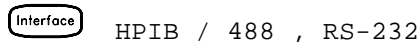
- The address is stored in *non-volatile* memory, and *does not* change when power has been off, after a Factory Reset (*RST command), or after an Instrument Preset (SYSTEM:PRESet command).
- Your computer’s GPIB interface card has its own address. Be sure to avoid using the computer’s address for any instrument on the interface bus. Agilent’s GPIB interface cards generally use address “21”.
- *Front-Panel Operation:*

 ADDRESS 09

Remote Interface Selection

The instrument is shipped with both an GPIB (IEEE-488) interface and an RS-232 interface. Only one interface can be enabled at a time. The GPIB interface is selected when the instrument is shipped from the factory.

- The interface selection is stored in *non-volatile* memory, and *does not* change when power has been off, after a Factory Reset (*RST command), or after an Instrument Preset (SYSTem:PRESet command).
- If you select the GPIB interface, you must select a unique address for the instrument. The GPIB address is displayed on the front panel when you turn on the instrument.
- If you select the RS-232 interface, you must also set the baud rate, parity, and flow control mode for the instrument. “RS-232” is displayed on the front panel when you turn on the instrument.
- *Front-Panel Operation:*

 Interface HPIB / 488 , RS-232

- *Remote Interface Operation:*

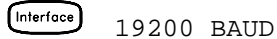
```
SYSTem:INTerface {GPIB|RS232}
```

Baud Rate Selection (RS-232)

You can select one of eight baud rates for RS-232 operation. The rate is set to 57,600 baud when the instrument is shipped from the factory.

You can set the baud rate from the front panel only.

- Select one of the following: 1200, 2400, 4800, 9600, 19200, 38400, **57600** (factory setting), or 115200 baud.
- The baud rate selection is stored in *non-volatile* memory, and *does not* change when power has been off, after a Factory Reset (*RST command), or after an Instrument Preset (SYSTEM:PRESet command).
- *Front-Panel Operation:*

 Interface 19200 BAUD

Parity Selection (RS-232)

You can select the parity for RS-232 operation. The instrument is configured for no parity with 8 data bits when shipped from the factory.

You can set the parity from the front panel only.

- Select one of the following: **None** (8 data bits), Even (7 data bits), or Odd (7 data bits). When you set the parity, you are also indirectly setting the number of data bits.
- The parity selection is stored in *non-volatile* memory, and *does not* change when power has been off, after a Factory Reset (*RST command), or after an Instrument Preset (SYSTEM:PRESet command).
- *Front-Panel Operation:*

 Interface EVEN, 7 BITS

Flow Control Selection (RS-232)

You can select one of several *flow control* methods to coordinate the transfer of data between the instrument and your computer or modem. The method that you select will be determined by the flow method used by your computer or modem.

You can select the flow control method from the front panel only.

- Select one of the following: None (no flow control), **XON/XOFF** (factory setting), DTR/DSR, RTS/CTS, or Modem.
- *None*: In this mode, data is sent and received over the interface without any flow control used. When using this method, use a slower baud rate (< 9600 baud) and avoid sending more than 128 characters without stopping or reading a response.
- *XON/XOFF*: This mode uses special characters embedded in the data stream to control the flow. If the instrument is addressed to send data, it continues sending data until the “XOFF” character (13H) is received. When the “XON” character (11H) is received, the instrument resumes sending data.
- *DTR/DSR*: In this mode, the instrument monitors the state of the DSR (data set ready) line on the RS-232 connector. When the line goes true, the instrument sends data over the interface. When the line goes false, the instrument stops sending information (typically within six characters). The instrument sets the DTR line false when the input buffer is almost full (approximately 100 characters) and releases the line when space is available again.
- *RTS/CTS*: This mode operates the same as the *DTR/DSR* mode but uses the RTS (request to send) and CTS (clear to send) lines on the RS-232 connector instead. When the CTS line goes true, the instrument sends data over the interface. When the line goes false, the instrument stops sending information (typically within six characters). The instrument sets the RTS line false when the input buffer is almost full (approximately 100 characters) and releases the line when space is available again.

- *Modem:* This mode uses the DTR/DSR and RTS/CTS lines to control the flow of data between the instrument and a modem. When the RS-232 interface is selected, the instrument sets the DTR line true. The DSR line is set true when the modem is on-line. The instrument sets the RTS line true when it is ready to receive data. The modem sets the CTS line true when it is ready to accept data. The instrument sets the RTS line false when the input buffer is almost full (approximately 100 characters) and releases the line when space is available again.
- For more information on using the RS-232 interface, refer to “RS-232 Interface Configuration” starting on page 270.
- The flow control selection is stored in *non-volatile* memory, and *does not* change when power has been off, after a Factory Reset (*RST command), or after an Instrument Preset (SYSTEM:PRESet command).
- *Front-Panel Operation:*

 FLOW RTS/CTS

Calibration Overview

This section gives a brief introduction to the calibration features of the instrument and plug-in modules. For a more detailed discussion of the calibration procedures, see chapter 4 in the *34970A Service Guide*.

Calibration Security

This feature allows you to enter a security code to prevent accidental or unauthorized calibrations of the instrument. When you first receive your instrument, it is secured. Before you can calibrate the instrument, you must unsecure it by entering the correct security code.

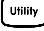

If you forget your security code, you can disable the security feature by adding a jumper inside the instrument. See the 34970A Service Guide for more information.

- The security code is set to “HP034970” when the instrument is shipped from the factory. The security code is stored in *non-volatile* memory on the mainframe, and *does not* change when power has been off, after a Factory Reset (*RST command), or after an Instrument Preset (SYSTem:PRESet command).
- The security code may contain up to 12 alphanumeric characters. The first character *must* be a letter, but the remaining characters can be letters, numbers, or an underscore (_). You do not have to use all 12 characters but the first character must always be a letter.

To Unsecure for Calibration You can unsecure the instrument either from the front panel or over the remote interface. The instrument is secured when shipped from the factory and the security code is set to “HP034970”.

- Once you enter a security code, that code must be used for both front-panel and remote operation. For example, if you secure the instrument from the front panel, you must use that same code to unsecure it from the remote interface.
- *Front-Panel Operation:*

 UNSECURE CAL

When you first enter the *Utility* menu, the calibration entries toggle between CAL SECURED and UNSECURE CAL. To unsecure the instrument, select UNSECURE CAL and press . After entering the correct security code, press  again. When you return to the menu, you will see new choices CAL UNSECURED and SECURE CAL.

Note: If you enter the wrong secure code, NO MATCH is displayed and a new choice, EXIT, is shown.


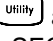
- *Remote Interface Operation:* To unsecure the instrument, send the following command with the correct security code.

```
CAL:SECURE:STATE OFF,HP034970
```

To Secure Against Calibration You can secure the instrument either from the front panel or over the remote interface. The instrument is secured when shipped from the factory and the security code is set to “HP034970”.

- Once you enter a security code, that code must be used for both front-panel and remote operation. For example, if you secure the instrument from the front panel, you must use that same code to unsecure it from the remote interface.
- *Front-Panel Operation:*


 SECURE CAL

When you enter the *Utility* menu, the calibration entries toggle between CAL UNSECURED and SECURE CAL. To secure the instrument, select SECURE CAL and press . After entering the desired security code, press  again. When you return to the menu, you will see new choices CAL SECURED and UNSECURE CAL.

- *Remote Interface Operation:* To secure the instrument, send the following command with the desired security code.

```
CAL:SECURE:STATE ON,HP034970
```

To Change the Security Code To change the security code, you must first unsecure the instrument, and then enter a new code. Make sure you have read the security code rules described on page 155 before attempting to change the security code.

- *Front-Panel Operation:* To change the security code, first make sure that the instrument is unsecured. Go to the SECURE CAL entry, enter the new security code, and press  (the instrument is now secured with the new code). Changing the code from the front panel also changes the code as seen from the remote interface.
- *Remote Interface Operation:* To change the security code, first unsecure the instrument using the old security code. Then, enter the new code as shown below.

```
CAL:SECURE:STATE OFF, HP034970  
CAL:SECURE:CODE ZZ007943
```

*Unsecure with old code
Enter new code*

Calibration Message

The instrument allows you to store one message in calibration memory in the mainframe. For example, you can store such information as the date when the last calibration was performed, the date when the next calibration is due, the instrument's serial number, or even the name and phone number of the person to contact for a new calibration.

- You can record a calibration message *only* from the remote interface and *only* when the instrument is unsecured. You can read the message from either the front-panel or over the remote interface. You can read the calibration message whether the instrument is secured or unsecured.
- The calibration message may contain up to 40 characters. From the front panel, you can view 13 characters of the message at a time. Press **D** to scroll through the text of the message. Press **D** again to increase the scrolling speed.
- Storing a calibration message will overwrite any message previously stored in memory.
- The calibration message is stored in *non-volatile* memory in the mainframe, and *does not* change when power has been off, after a Factory Reset (*RST command), or after an Instrument Preset (SYSTEM:PRESet command).
- *Front-Panel Operation:*

  CAL MESSAGE



- *Remote Interface Operation:* To store the calibration message, send the following command.

```
CAL:STRING 'CAL: 06-01-98'
```


Calibration Count

You can query the instrument to determine how many calibrations have been performed. Note that your instrument was calibrated before it left the factory. When you receive your instrument, be sure to read the count to determine its initial value.

- The calibration count is stored in *non-volatile* memory in the mainframe, and *does not* change when power has been off, after a Factory Reset (*RST command), or after an Instrument Preset (SYSTem:PRESet command).
- The calibration count increments up to a maximum of 65,535 after which it rolls over to “0”. Since the value increments by one for each calibration point, a complete calibration may increase the value by many counts.
- The calibration count is also incremented with calibrations of the DAC channels on the multifunction module.
- *Front-Panel Operation:*

  CAL COUNT

- *Remote Interface Operation:*

CALibration:COUNT?

Factory Reset State

The table below shows the state of the instrument after a FACTORY RESET from the *Sto/Rcl* menu or *RST command from the remote interface.

| | |
|----------------------------------|--|
| Measurement Configuration | Factory Reset State |
| Function | DC Volts |
| Range | Autorange |
| Resolution | 5½ digits |
| Integration Time | 1 PLC |
| Input Resistance | 10 M Ω (fixed for all DCV ranges) |
| Channel Delay | Automatic Delay |
| Totalizer Reset Mode | Count Not Reset When Read |
| Totalizer Edge Detect | Rising Edge |
| Scanning Operations | Factory Reset State |
| Scan List | Empty |
| Reading Memory | All Readings are Cleared |
| Min, Max, and Average | All Statistical Data is Cleared |
| Scan Interval Source | Immediate |
| Scan Interval | Front Panel = 10 Seconds Remote = Immediate |
| Scan Count | Front Panel = Continuous Remote = 1 Scan Sweep |
| Scan Reading Format | Reading Only (No Units, Channel, Time) |
| Monitor in Progress | Stopped |
| Mx+B Scaling | Factory Reset State |
| Gain Factor ("M") | 1 |
| Scale Factor ("B") | 0 |
| Scale Label | Vdc |
| Alarm Limits | Factory Reset State |
| Alarm Queue | Not Cleared |
| Alarm State | Off |
| HI and LO Alarm Limits | 0 |
| Alarm Output | Alarm 1 |
| Alarm Output Configuration | Latched Mode |
| Alarm Output State | Output Lines are Cleared |
| Alarm Output Slope | Fail = Low |
| Module Hardware | Factory Reset State |
| 34901A, 34902A, 34908A | Reset: All Channels Open |
| 34903A, 34904A | Reset: All Channels Open |
| 34905A, 34906A | Reset: Channels s11 and s21 Selected |
| 34907A | Reset: Both DIO Ports = Input, Count = 0, Both DACs = 0 Vdc |
| System-Related Operations | Factory Reset State |
| Display State | On |
| Error Queue | Errors Not Cleared |
| Stored States | No Change |

Instrument Preset State

The table below shows the state of the instrument after a PRESET from the *Sto/Rcl* menu or `SYSTEM:PRESet` command from the remote interface.

| | |
|----------------------------------|--|
| Measurement Configuration | Preset State |
| Function | No Change |
| Range | No Change |
| Resolution | No Change |
| Advanced Settings | No Change |
| Totalizer Reset Mode | Count Not Reset When Read |
| Totalizer Edge Detect | No Change |
| Scanning Operations | Preset State |
| Scan List | No Change |
| Reading Memory | All Readings are Cleared |
| Min, Max, and Average | All Statistical Data is Cleared |
| Scan Interval Source | No Change |
| Scan Interval | No Change |
| Scan Count | No Change |
| Scan Reading Format | No Change |
| Monitor in Progress | Stopped |
| Mx+B Scaling | Preset State |
| Gain Factor ("M") | No Change |
| Scale Factor ("B") | No Change |
| Scale Label | No Change |
| Alarm Limits | Preset State |
| Alarm Queue | No Change |
| Alarm State | No Change |
| HI and LO Alarm Limits | No Change |
| Alarm Output Configuration | No Change |
| Alarm Output State | Output Lines are Cleared |
| Alarm Output Slope | No Change |
| Module Hardware | Preset State |
| 34901A, 34902A, 34908A | Reset: All Channels Open |
| 34903A, 34904A | Reset: All Channels Open |
| 34905A, 34906A | Reset: Channels s11 and s21 Selected |
| 34907A | Reset: Both DIO Ports = Input, Count = 0, Both DACs = 0 Vdc |
| System-Related Operations | Preset State |
| Display State | On |
| Error Queue | Errors Not Cleared |
| Stored States | No Change |

Multiplexer Module Default Settings

The table below shows the default settings for each measurement function on the multiplexer modules. When you configure a channel for a particular function, these are the default settings.

| | |
|--------------------------------------|---|
| Temperature Measurements | Default Setting |
| Temperature Units | °C |
| Integration Time | 1 PLC |
| Display Resolution | 0.1°C |
| Thermocouple Type | Type J |
| Open T/C Detection | Off |
| Reference Junction Source | Internal |
| RTD Type | $\alpha = 0.00385$ |
| RTD Reference Resistance | $R_0 = 100\Omega$ |
| Thermistor Type | 5 k Ω |
| Channel Delay | Automatic Delay |
| Voltage Measurements | Default Setting |
| Range | Autorange |
| Resolution | 5½ digits |
| Integration Time | 1 PLC |
| Input Resistance | 10 M Ω (fixed for all DCV ranges) |
| AC Low Frequency Filter | 20 Hz (medium) |
| Channel Delay | Automatic Delay |
| Resistance Measurements | Default Setting |
| Range | Autorange |
| Resolution | 5½ digits |
| Integration Time | 1 PLC |
| Offset Compensation | Off |
| Channel Delay | Automatic Delay |
| Frequency/Period Measurements | Default Setting |
| Range | Autorange |
| Resolution | 5½ digits (frequency), 6½ digits (period) |
| AC Low Frequency Filter | 20 Hz (medium) |
| Channel Delay | Automatic Delay |
| Current Measurements | Default Setting |
| Range | Autorange |
| Resolution | 5½ digits |
| Integration Time | 1 PLC |
| AC Low Frequency Filter | 20 Hz (medium) |
| Channel Delay | Automatic Delay |

Module Overview

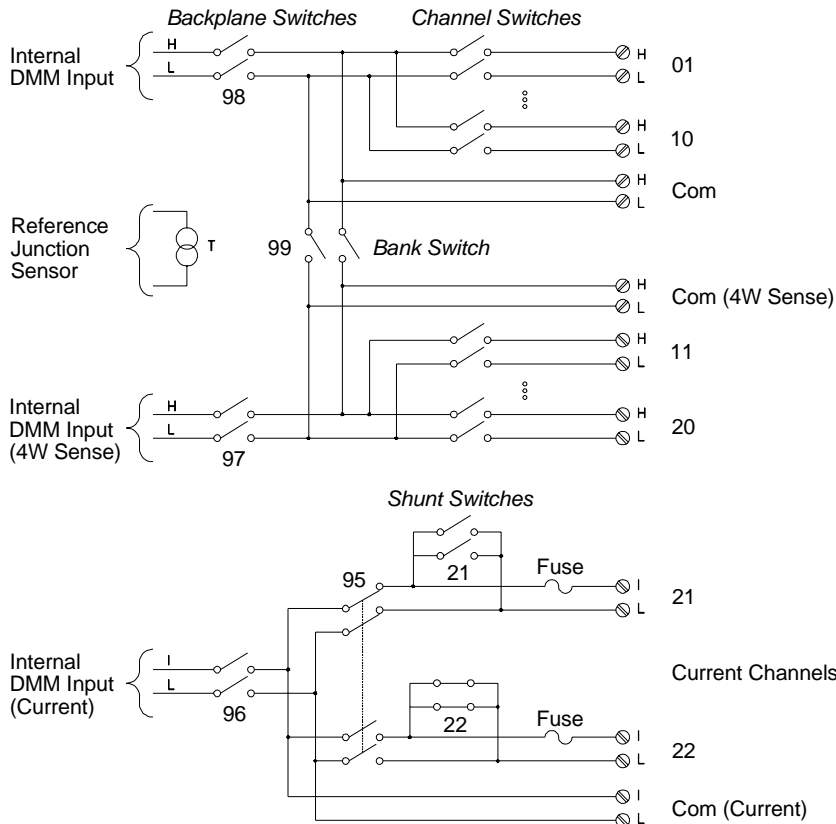
This section gives a description of each plug-in module, including simplified schematics and block diagrams. A wiring log is also included to make it easy to document your wiring configuration for each module.

For complete specifications on each plug-in module, refer to the module sections in chapter 9.

- 34901A 20-Channel Multiplexer, *starting on page 164*
- 34902A 16-Channel Multiplexer, *starting on page 166*
- 34903A 20-Channel Actuator, *starting on page 168*
- 34904A 4x8 Matrix Switch, *starting on page 170*
- 34905A/6A Dual 4-Channel RF Multiplexers, *starting on page 172*
- 34907A Multifunction Module, *starting on page 174*
- 34908A 40-Channel Single-Ended Multiplexer, *starting on page 176*

34901A 20-Channel Multiplexer

This module is divided into two banks of 10 channels each. Two additional fused channels are available for making direct, calibrated dc or ac current measurements with the internal DMM (external shunts are not required). All 22 channels switch both HI and LO inputs, thus providing fully isolated inputs to the internal DMM or an external instrument. When making 4-wire resistance measurements, the instrument automatically pairs channel n with channel $n+10$ to provide the source and sense connections. The module has a built-in thermocouple reference junction to minimize errors due to thermal gradients when measuring thermocouples.

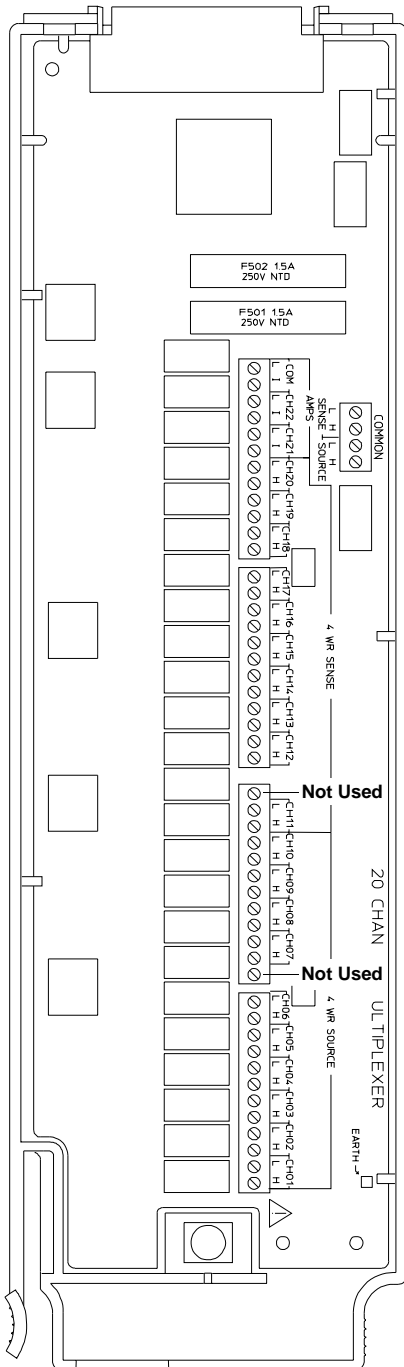


NOTES:

- Only one of channels 21 and 22 can be connected to the internal DMM and/or Com at a time; connecting one channel will close the other (thus shorting the input "I" to "LO").
- If any channels are configured to be part of the scan list, you cannot close multiple channels; closing one channel will open the previously closed channel.
- Connections to ac line are not recommended unless you provide external transient suppression.

Chapter 4 Features and Functions

34901A 20-Channel Multiplexer



WIRING LOG Slot Number: 100 200 300

| Ch | Name | Function | Comments |
|-------------------------------|------|----------|----------|
| 01 | | | |
| 02 | | | |
| 03 | | | |
| 04 | | | |
| 05 | | | |
| 06 | | | |
| 07 | | | |
| 08 | | | |
| 09 | | | |
| 10 | | | |
| H COM | | | |
| L COM | | | |
| 11 * | | | |
| 12 * | | | |
| 13 * | | | |
| 14 * | | | |
| 15 * | | | |
| 16 * | | | |
| 17 * | | | |
| 18 * | | | |
| 19 * | | | |
| 20 * | | | |
| H COM | | | |
| L COM | | | |
| <i>Current Channels Only:</i> | | | |
| 21 | | | |
| 22 | | | |
| I COM | | | |
| L COM | | | |

* 4W Sense Channels are paired to Channel (n-10).

Refer to the diagrams on page 20 to connect wiring to the module.

Maximum Input Voltage: 300 V (CAT I)

Maximum Input Current: 1 A

Maximum Switching Power: 50 W

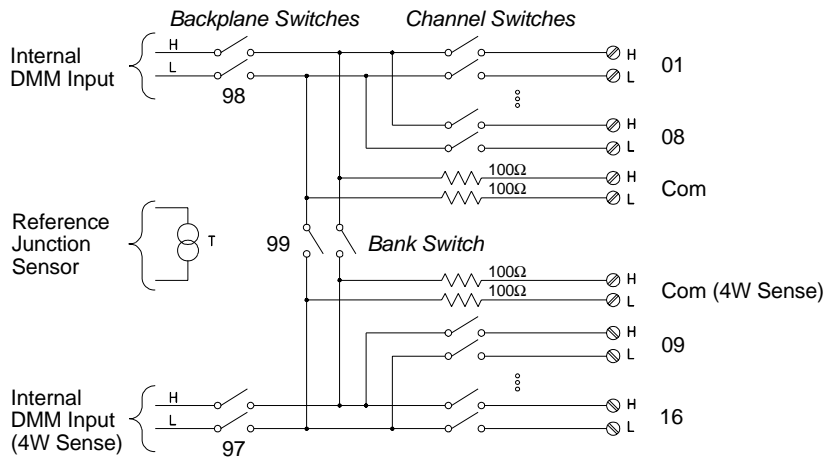
20 AWG Typical



⚠ WARNING: To prevent electrical shock, use only wire that is rated for the highest voltage applied to any channel. Before removing a module cover, turn off all power to external devices connected to the module.

34902A 16-Channel Multiplexer

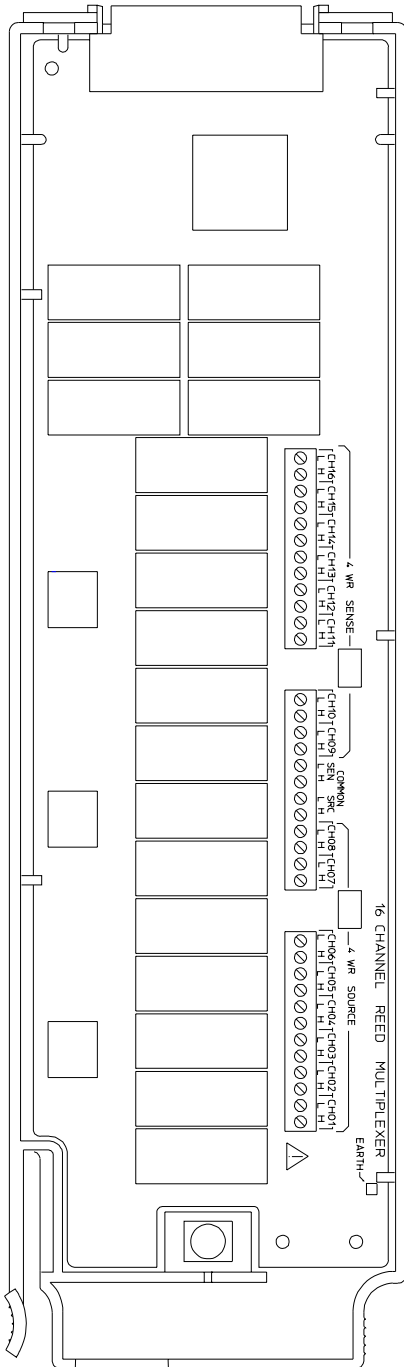
This module is divided into two banks of eight channels each. All 16 channels switch both HI and LO inputs, thus providing fully isolated inputs to the internal DMM or an external instrument. When making 4-wire resistance measurements, the instrument automatically pairs channel n with channel $n+8$ to provide the source and sense connections. The module has a built-in thermocouple reference junction to minimize errors due to thermal gradients when measuring thermocouples.



NOTES:

- If any channels are configured to be part of the scan list, you cannot close multiple channels; closing one channel will open the previously closed channel.
- Current measurements on this module will require external shunt resistors.
- Connections to ac line are not recommended unless you provide external transient suppression.

Chapter 4 Features and Functions
34902A 16-Channel Multiplexer



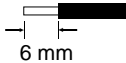
WIRING LOG Slot Number: 100 200 300

| Ch | Name | Function | Comments |
|-------|------|----------|----------|
| 01 | | | |
| 02 | | | |
| 03 | | | |
| 04 | | | |
| 05 | | | |
| 06 | | | |
| 07 | | | |
| 08 | | | |
| H COM | | | |
| L COM | | | |
| 09 * | | | |
| 10 * | | | |
| 11 * | | | |
| 12 * | | | |
| 13 * | | | |
| 14 * | | | |
| 15 * | | | |
| 16 * | | | |
| H COM | | | |
| L COM | | | |

* 4W Sense Channels are paired to Channel (n-8).

Refer to the diagrams on page 20 to connect wiring to the module.

Maximum Input Voltage: 300 V (CAT I)
 Maximum Input Current: 50 mA
 Maximum Switching Power: 2 W

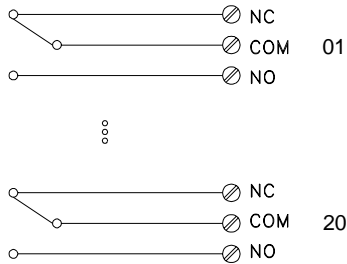
20 AWG Typical

 6 mm

⚠ WARNING: To prevent electrical shock, use only wire that is rated for the highest voltage applied to any channel. Before removing a module cover, turn off all power to external devices connected to the module.

34903A 20-Channel Actuator

This module contains 20 independent, SPDT (Form C) latching relays. Screw terminals on the module provide access to the Normally-Open, Normally-Closed, and Common contacts for each switch. This module *does not* connect to the internal DMM.

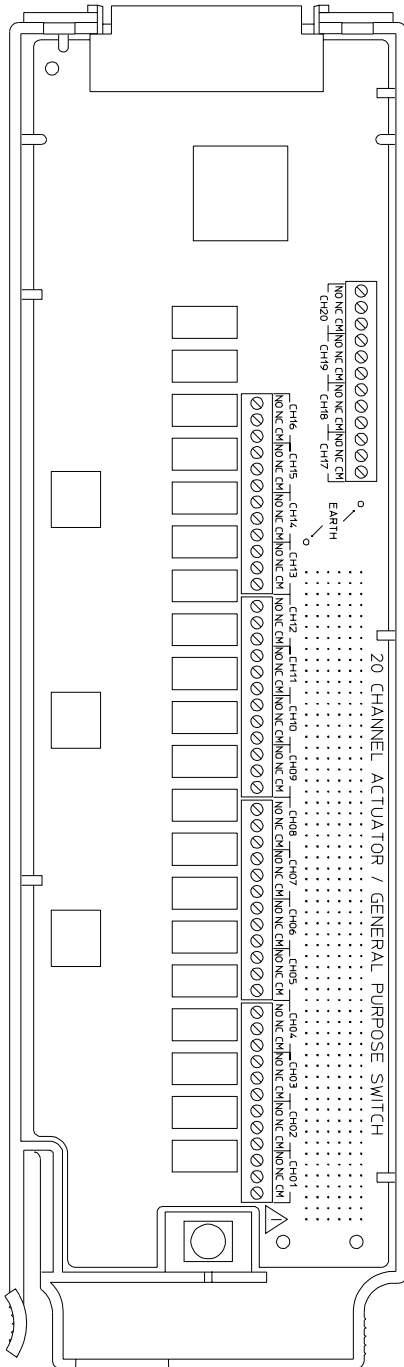
A breadboard area is provided near the screw terminals to implement custom circuitry, such as simple filters, snubbers, and voltage dividers. The breadboard area provides the space necessary to insert your own components but there are no circuit board traces here. You must add your own circuitry and signal routing.



NOTES:

- You can close multiple channels at the same time on this module.
- The channel CLOSE and OPEN commands control the state of the Normally Open (NO) to COM connection on each channel. For example, CLOSE 201 connects the Normally Open contact to COM on channel 01.

Chapter 4 Features and Functions
34903A 20-Channel Actuator



WIRING LOG Slot Number: 100 200 300

| Ch | NO | NC | COM | Comments |
|----|----|----|-----|----------|
| 01 | | | | |
| 02 | | | | |
| 03 | | | | |
| 04 | | | | |
| 05 | | | | |
| 06 | | | | |
| 07 | | | | |
| 08 | | | | |
| 09 | | | | |
| 10 | | | | |
| 11 | | | | |
| 12 | | | | |
| 13 | | | | |
| 14 | | | | |
| 15 | | | | |
| 16 | | | | |
| 17 | | | | |
| 18 | | | | |
| 19 | | | | |
| 20 | | | | |

NO = Normally Open, **NC** = Normally Closed

Refer to the diagrams on page 20 to connect wiring to the module.

Maximum Input Voltage: 300 V (CAT I)

Maximum Input Current: 1 A

Maximum Switching Power: 50 W

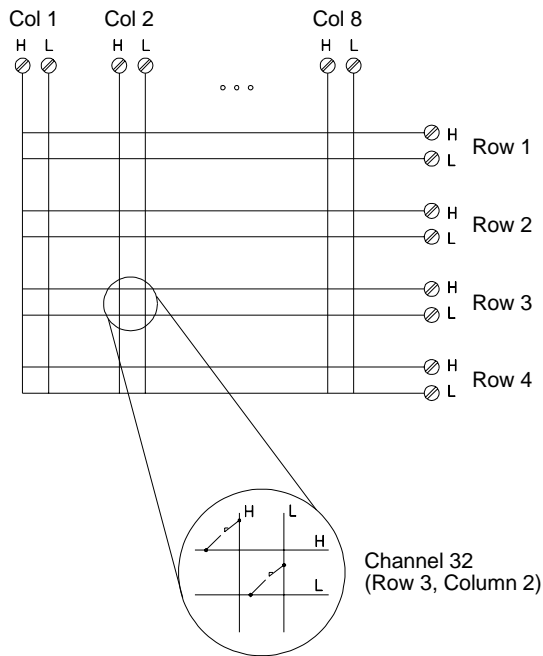
20 AWG Typical



⚠ WARNING: To prevent electrical shock, use only wire that is rated for the highest voltage applied to any channel. Before removing a module cover, turn off all power to external devices connected to the module.

34904A 4x8 Matrix Switch

This module contains 32 two-wire crosspoints organized in a 4-row by 8-column configuration. You can connect any combination of inputs and outputs at the same time. This module *does not* connect to the internal DMM. Each crosspoint relay has its own unique channel label representing the row and column. For example, channel 32 represents the crosspoint connection between row 3 and column 2 as shown below.

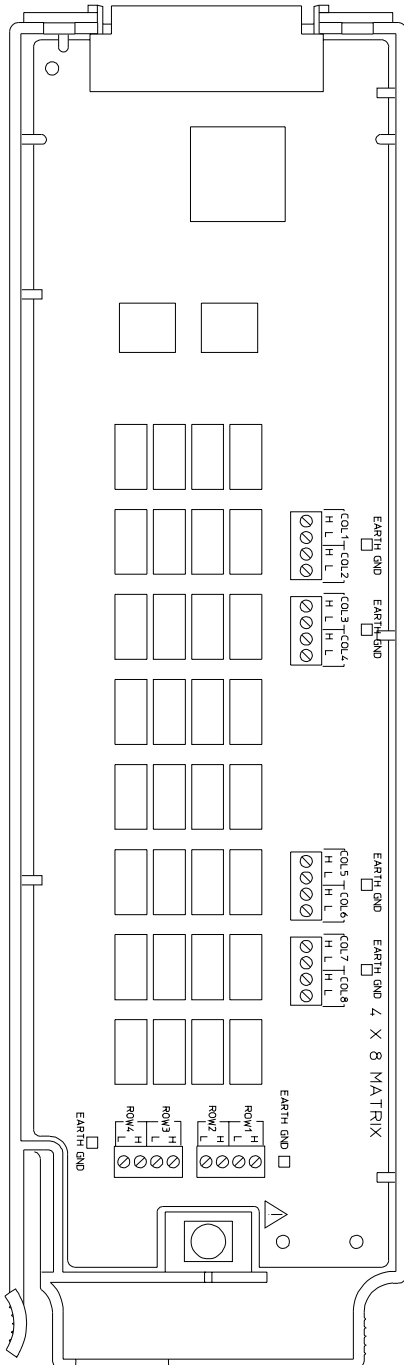


NOTES:

- You can close multiple channels at the same time on this module.

Chapter 4 Features and Functions

34904A 4x8 Matrix Switch



WIRING LOG

Slot Number: 100 200 300

| Row | Name | Comments |
|-----|------|----------|
| 1 | | |
| 2 | | |
| 3 | | |
| 4 | | |

| Column | Name | Comments |
|--------|------|----------|
| 1 | | |
| 2 | | |
| 3 | | |
| 4 | | |
| 5 | | |
| 6 | | |
| 7 | | |
| 8 | | |

Example: Channel 32 represents Row 3 and Column 2.

Refer to the diagrams on page 20 to connect wiring to the module.

Maximum Input Voltage: 300 V (CAT I)

Maximum Input Current: 1 A

Maximum Switching Power: 50 W

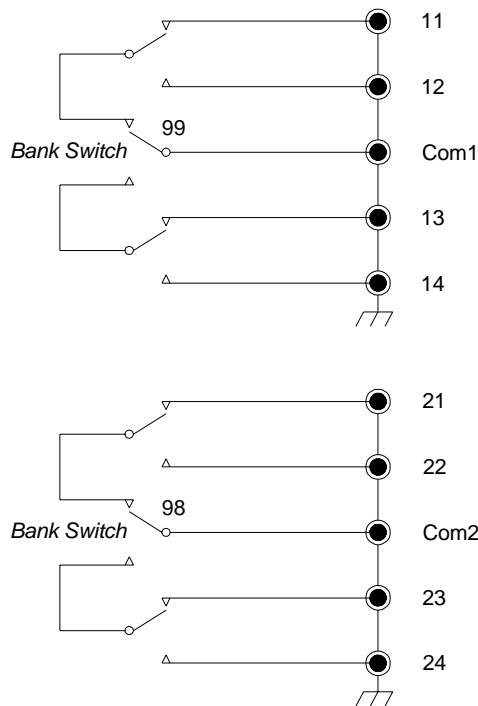
20 AWG Typical



⚠ WARNING: To prevent electrical shock, use only wire that is rated for the highest voltage applied to any channel. Before removing a module cover, turn off all power to external devices connected to the module.

34905A/6A Dual 4-Channel RF Multiplexers

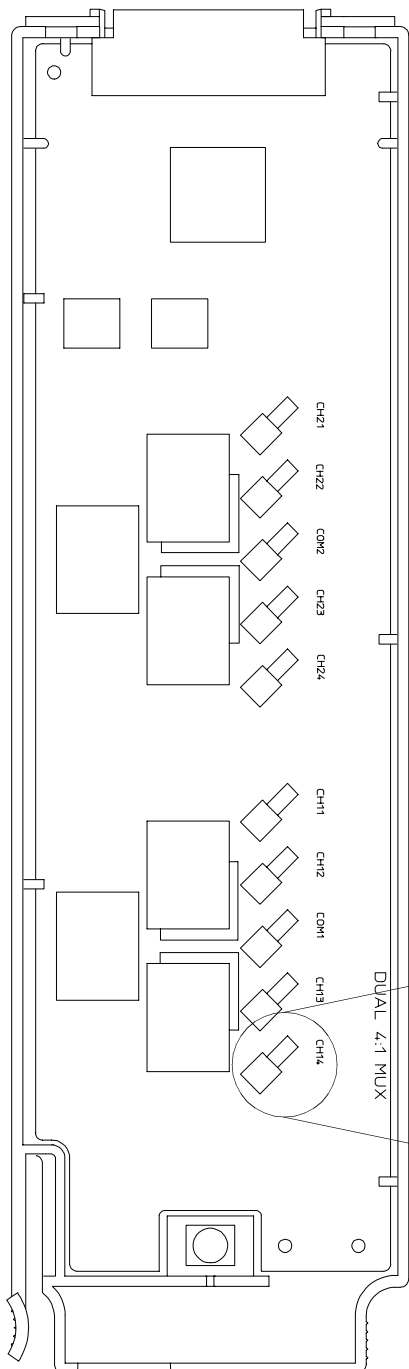
These modules consist of two independent 4-to-1 multiplexers. The channels in each bank are organized in a “tree” structure to provide high isolation and low VSWR. Both banks have a common earth ground. This module *does not* connect to the internal DMM. You can connect your signals directly to the on-board SMB connectors or to the SMB-to-BNC cables provided with the module.



NOTES:

- The 34905A is used for 50 Ω applications. The 34906A is used for 75 Ω applications.
- You can close only one channel per bank at a time on these modules; closing one channel in a bank will open the previously closed channel. One channel in each bank is always connected to COM.
- This module responds only to the CLOSE command (OPEN does not apply). To OPEN a channel, send the CLOSE command to another channel in the same bank.

Chapter 4 Features and Functions
34905A/6A Dual 4-Channel RF Multiplexers



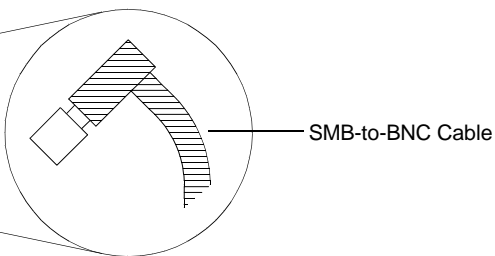
WIRING LOG

Slot Number: 100 200 300

| Ch | Name | Comments |
|------|------|----------|
| 11 | | |
| 12 | | |
| 13 | | |
| 14 | | |
| COM1 | | |
| 21 | | |
| 22 | | |
| 23 | | |
| 24 | | |
| COM2 | | |

Refer to the diagrams on page 20 to connect wiring to the module.

Maximum Input Voltage: 42 V
 Maximum Input Current: 700 mA
 Maximum Switching Power: 20 W

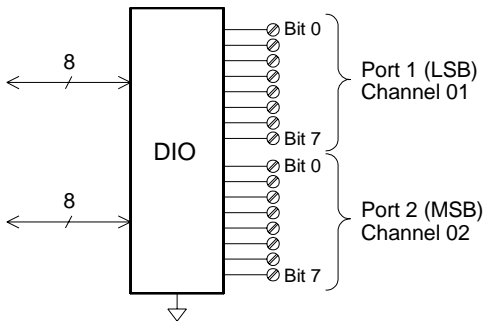


Ten color-coded cables are included with the module. To order additional cables, use the following cable kit part numbers (10 cables are included):

- 34905-60001 (50Ω cables)
- 34906-60001 (75Ω cables)

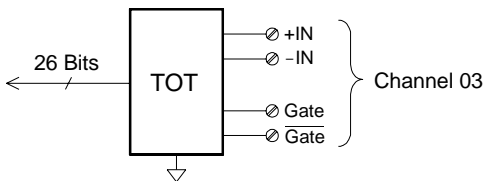
34907A Multifunction Module

This module combines two 8-bit ports of digital input/output, a 100 kHz totalizer, and two ± 12 analog outputs. For greater flexibility, you can read digital inputs and the totalizer count during a scan.



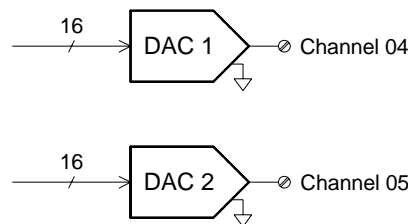
Digital Input/Output

The DIO consists of two 8-bit ports with TTL-compatible inputs and output. The open-drain outputs can sink up to 400 mA. From the front panel, you can read data from only one 8-bit input port at a time. From the remote interface, you can read both ports simultaneously as a 16-bit word *only* if neither port is in the scan list.



Totalize Input

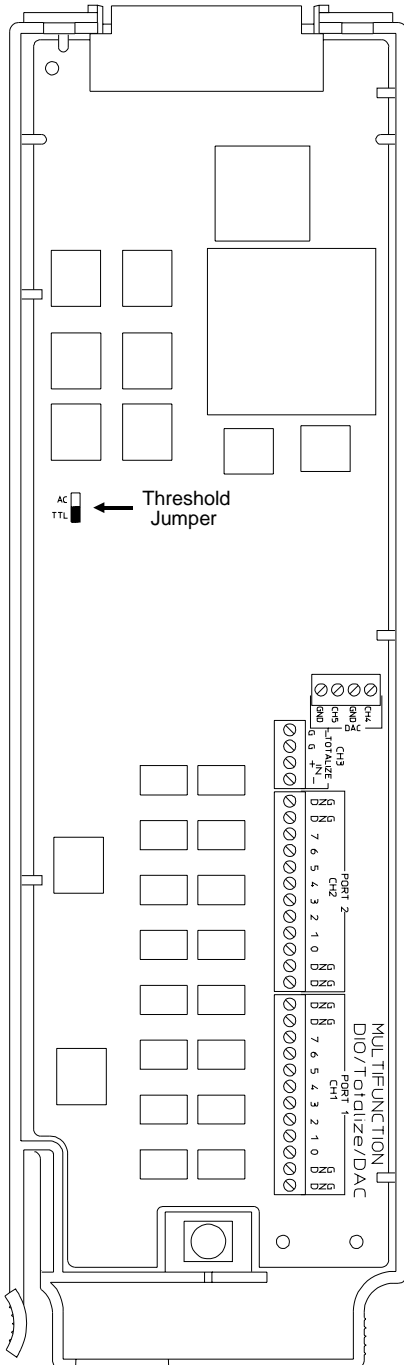
The 26-bit totalizer can count pulses at a 100 kHz rate. You can configure the totalizer to count on the rising edge or falling edge of the input signal. A TTL high signal applied to the “G” terminal enables counting and a low signal disables counting. A TTL low signal applied to the “ \bar{G} ” terminal enables counting and a high signal disables counting. The totalizer only counts when both terminals are enabled. Move the *Totalize Threshold* jumper to the “AC” position to detect changes through 0 volts. Move the jumper to the “TTL” position (factory setting) to detect changes through TTL threshold levels.



Analog Output (DAC)

The two analog outputs are capable of outputting calibrated voltages between ± 12 volts with 16 bits of resolution. Each DAC channel is capable of 10 mA maximum current. You must limit the DAC output current to 40 mA total for all three slots (six DAC channels).

Chapter 4 Features and Functions
34907A Multifunction Module



WIRING LOG

Slot Number: 100 200 300

| Ch | Name | Comments |
|----------------|-----------|----------|
| 01 (DIO 1) | Bit 0 | |
| | Bit 1 | |
| | Bit 2 | |
| | Bit 3 | |
| | Bit 4 | |
| | Bit 5 | |
| | Bit 6 | |
| | Bit 7 | |
| | GND | |
| 02 (DIO 2) | Bit 0 | |
| | Bit 1 | |
| | Bit 2 | |
| | Bit 3 | |
| | Bit 4 | |
| | Bit 5 | |
| | Bit 6 | |
| | Bit 7 | |
| | GND | |
| 03 (Totalizer) | Input (+) | |
| | Input (-) | |
| | Gate | |
| | Gate | |
| 04 (DAC 1) | Output | |
| | GND | |
| 05 (DAC 2) | Output | |
| | GND | |

Threshold Jumper Position: TTL AC

Refer to the diagrams on page 20 to connect wiring to the module.

Digital Input/Output:

Vin(L): <0.8V (TTL)
 Vin(H): >2.0V (TTL)
 Vout(L): <0.8V @ Iout = -400 mA
 Vout(H): >2.4V @ Iout = 1 mA
 Vin(H) Max: <42V with external open-drain pull-up

20 AWG Typical



Totalizer:

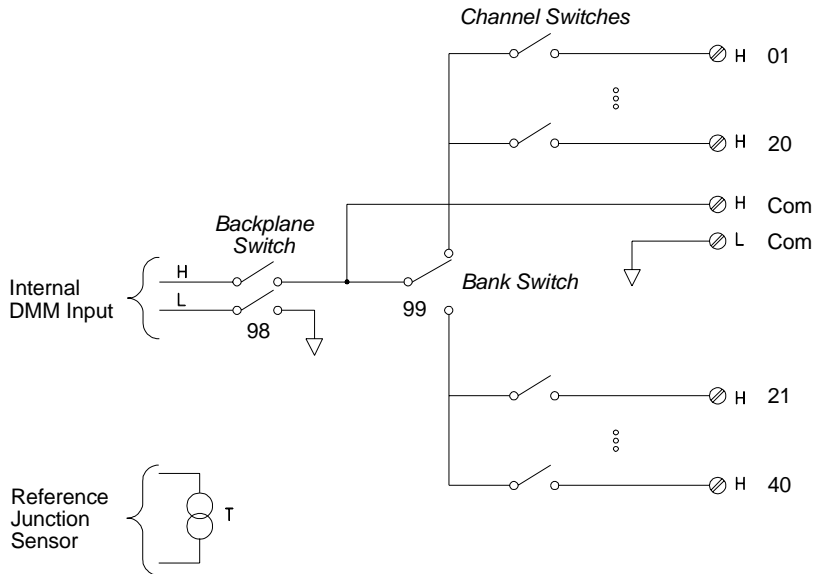
Maximum Count: 67,108,863 (2²⁶ - 1)
 Totalize Input: 100 kHz (max)
 Signal Level: 1 Vp-p (min), 42 Vpk (max)

DAC Output:

±12V, non-isolated
 Iout: 10 mA max per DAC; 40 mA max per mainframe

34908A 40-Channel Single-Ended Multiplexer

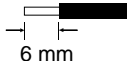
The module is divided into two banks of 20 channels each. All of the 40 channels switch HI only, with a common LO for the module. The module has a built-in thermocouple reference junction to minimize errors due to thermal gradients when measuring thermocouples.



NOTES:

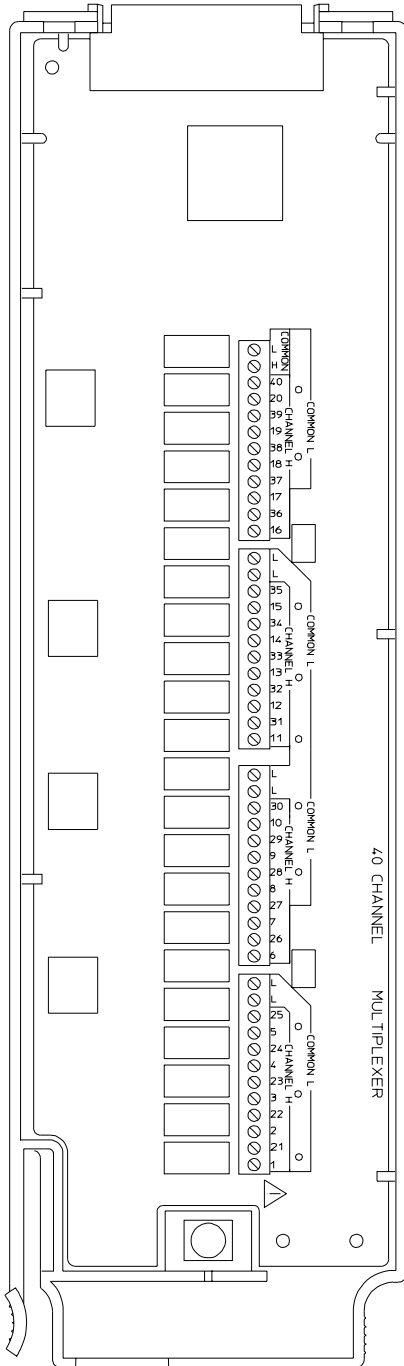
- Refer to the diagrams on page 20 to connect wiring to the module.
- Only one channel can be closed at a time; closing one channel will open the previously closed channel.
- This module cannot be used to directly measure current or any 4-wire measurements.
- When connecting thermocouples to the screw terminals on this module (not recommended due to the common LO configuration), be sure to provide electrical isolation between thermocouples to avoid current loops and subsequent measurement errors.
- Connections to ac line are not recommended unless you provide external transient suppression.

Maximum Input Voltage: 300 V (CAT I)
 Maximum Input Current: 1 A
 Maximum Switching Power: 50 W

20 AWG Typical

 6 mm

⚠ WARNING: To prevent electrical shock, use only wire that is rated for the highest voltage applied to any channel. Before removing a module cover, turn off all power to external devices connected to the module.

Chapter 4 Features and Functions
34908A 40-Channel Single-Ended Multiplexer





WIRING LOG Slot Number: 100 200 300

| Ch | Name | Function | Comments |
|-------|------|----------|----------|
| 01 | | | |
| 02 | | | |
| 03 | | | |
| 04 | | | |
| 05 | | | |
| 06 | | | |
| 07 | | | |
| 08 | | | |
| 09 | | | |
| 10 | | | |
| 11 | | | |
| 12 | | | |
| 13 | | | |
| 14 | | | |
| 15 | | | |
| 16 | | | |
| 17 | | | |
| 18 | | | |
| 19 | | | |
| 20 | | | |
| 21 | | | |
| 22 | | | |
| 23 | | | |
| 24 | | | |
| 25 | | | |
| 26 | | | |
| 27 | | | |
| 28 | | | |
| 29 | | | |
| 30 | | | |
| 31 | | | |
| 32 | | | |
| 33 | | | |
| 34 | | | |
| 35 | | | |
| 36 | | | |
| 37 | | | |
| 38 | | | |
| 39 | | | |
| 40 | | | |
| LO | | | |
| H COM | | | |
| L COM | | | |

Remote Interface Reference

Remote Interface Reference

- SCPI Command Summary, *starting on page 181*
-  → • Simplified Programming Overview, *starting on page 201*
- The MEASure? and CONFigure Commands, *starting on page 207*
- Setting the Function, Range, and Resolution, *starting on page 214*
- Temperature Configuration Commands, *starting on page 219*
- Voltage Configuration Commands, *on page 223*
- Resistance Configuration Commands, *on page 224*
- Current Configuration Commands, *on page 224*
- Frequency Configuration Commands, *on page 225*
- Scanning Overview, *starting on page 226*
- Single-Channel Monitoring Overview, *starting on page 237*
- Scanning With an External Instrument, *starting on page 239*
- Mx+B Scaling Overview, *starting on page 244*
- Alarm System Overview, *starting on page 247*
- Digital Input Commands, *on page 255*
- Totalizer Commands, *starting on page 256*
- Digital Output Commands, *on page 258*
- DAC Output Commands, *on page 258*
- Switch Control Commands, *on page 259*
- State Storage Commands, *on page 261*
- System-Related Commands, *starting on page 264*
- Interface Configuration Commands, *on page 269*
- RS-232 Interface Configuration, *on page 270*
- Modem Communications, *on page 274*
- The SCPI Status System, *starting on page 275*
- Status System Commands, *starting on page 286*
- Calibration Commands, *starting on page 292*
- Service-Related Commands, *starting on page 294*
-  → • An Introduction to the SCPI Language, *starting on page 296*
- Using Device Clear, *on page 302*



If you are a first-time user of the SCPI language, you may want to refer to these sections to become familiar with the language before attempting to program the instrument.

SCPI Command Summary

Throughout this manual, the following conventions are used for SCPI command syntax for remote interface programming:

- Square brackets ([]) indicate optional keywords or parameters.
- Braces ({ }) enclose parameter choices within a command string.
- Triangle brackets (< >) enclose parameters for which you must substitute a value.
- A vertical bar (|) separates multiple parameter choices.

Rules for Using a Channel List

Many of the SCPI commands for the 34970A include a *scan_list* or *ch_list* parameter which allow you to specify one or more channels. The channel number has the form (@*scc*), where *s* is the slot number (100, 200, or 300) and *cc* is the channel number. You can specify a single channel, multiple channels, or a range of channels as shown below.

- The following command configures a scan list to include only channel 10 on the module in slot 300.

```
ROUT:SCAN (@310)
```

- The following command configures a scan list to include multiple channels on the module in slot 200. The scan list now contains only channels 10, 12, and 15 (*the scan list is redefined each time you send a new ROUTe:SCAN command*).

```
ROUT:SCAN (@210, 212, 215)
```

- The following command configures a scan list to include a range of channels. When you specify a range of channels, the range may contain invalid channels (they are ignored), but the first and last channel in the range must be valid. The scan list now contains channels 5 through 10 (slot 100) and channel 15 (slot 200).

```
ROUT:SCAN (@105:110, 215)
```

Rules for Using *scan_list* and *ch_list* Parameters

Before you can initiate a scan, you must set up a *scan_list* to include all desired multiplexer or digital channels. Channels which are not in the list are skipped during the scan. The instrument automatically scans the list of channels in ascending order from slot 100 through slot 300.

- Commands which accept a *scan_list* parameter will reprogram the scan list each time you send the command to the instrument. The *scan_list* parameter is *never* an optional parameter.
- Commands which accept an optional *ch_list* parameter *do not* reprogram the scan list when you send the command to the instrument. If you omit the *ch_list* parameter, the command will be applied to the channels in the active scan list.
- If a command specifies an illegal operation on a given channel, the instrument will generate an error for each channel which is illegal and the command will not be performed on any of the channels. For example, the following command will generate an error on channel 121 on the 34901A module since this channel is for current measurements only.

```
CONFigure:VOLTage:DC (@101,121)
```

- If you select a range of channels in a command which specifies an illegal operation on one or more channels, the instrument will skip the illegal channels and *will not* generate an error. For example, the following command will not generate an error on the 34901A module even though channels 121 and 122 are for current measurements only.

```
CONFigure:VOLTage:DC (@101:220)
```

However, if the illegal channel is one of the end points in the range, the instrument *will* generate an error. For example, the following command will generate an error on the 34901A module since channel 122 is for current measurements only.

```
CONFigure:VOLTage:DC (@101:122)
```


Scan Measurement Commands

(see page 226 for more information)

S MEASure
:TEMPerature? {**TCouple**|RTD|FRTD|THERmistor|DEF}
 , {<type>|DEF} [, 1 [, {<resolution>|MIN|MAX|DEF}]] , (@<scan_list>)
:VOLTage:DC? [{<range>|**AUTO**|MIN|MAX|DEF}
 [, <resolution>|MIN|MAX|DEF]] ,] (@<scan_list>)
:VOLTage:AC? [{<range>|**AUTO**|MIN|MAX|DEF}
 [, <resolution>|MIN|MAX|DEF]] ,] (@<scan_list>)
:RESistance? [{<range>|**AUTO**|MIN|MAX|DEF}
 [, <resolution>|MIN|MAX|DEF]] ,] (@<scan_list>)
:PRESistance? [{<range>|**AUTO**|MIN|MAX|DEF}
 [, <resolution>|MIN|MAX|DEF]] ,] (@<scan_list>)
:CURRent:DC? [{<range>|**AUTO**|MIN|MAX|DEF}
 [, <resolution>|MIN|MAX|DEF]] ,] (@<scan_list>)
:CURRent:AC? [{<range>|**AUTO**|MIN|MAX|DEF}
 [, <resolution>|MIN|MAX|DEF]] ,] (@<scan_list>)
:FREQuency? [{<range>|**AUTO**|MIN|MAX|DEF}
 [, <resolution>|MIN|MAX|DEF]] ,] (@<scan_list>)
:PERiod? [{<range>|**AUTO**|MIN|MAX|DEF}
 [, <resolution>|MIN|MAX|DEF]] ,] (@<scan_list>)
:DIGital:BYTE? (@<scan_list>)
:TOTAlize? {**READ**|RRESet} , (@<scan_list>)

Monitor Commands

(see page 237 for more information)

ROUTE
:MONitor (@<channel>)
:MONitor?

ROUTE
:MONitor:STATE {**OFF**|ON}
:MONitor:STATE?

ROUTE:MONitor:DATA?

S *This command redefines the scan list when executed.
Default parameters are shown in bold.*

Scan Configuration Commands

(see page 226 for more information)

ROUTE

S :SCAN (@<scan_list>)
:SCAN?
:SCAN:SIZE?

G TRIGGER
:SOURCE {BUS | **IMMEDIATE** | EXTERNAL | ALARm1 | ALARm2 | ALARm3 | ALARm4 | TIMER}
:SOURCE?

G TRIGGER
:TIMER {<seconds> | **MIN** | MAX}
:TIMER?

G TRIGGER
:COUNT {<count> | **MIN** | MAX | INFINITY}
:COUNT?

ROUTE

:CHANNEL:DELAY <seconds> [, (@<ch_list>)]
:CHANNEL:DELAY? [(@<ch_list>)]
:CHANNEL:DELAY:AUTO {OFF | **ON**} [, (@<ch_list>)]
:CHANNEL:DELAY:AUTO? [(@<ch_list>)]

G FORMAT
:READING:ALARM {**OFF** | ON}
:READING:ALARM?
:READING:CHANNEL {**OFF** | ON}
:READING:CHANNEL?
:READING:TIME {**OFF** | ON}
:READING:TIME?
:READING:UNIT {**OFF** | ON}
:READING:UNIT?

G FORMAT
:READING:TIME:TYPE {ABSOLUTE | **RELATIVE**}
:READING:TIME:TYPE?

ABORT

INITIATE

READ?

S *This command redefines the scan list when executed.*

G *This command applies to all channels in the instrument (Global setting).
Default parameters are shown in bold.*

Scan Statistics Commands

(see page 233 for more information)

```
CALCulate
:AVErAge:MINimum? [ (@<ch_list> ) ]
:AVErAge:MINimum:TIME? [ (@<ch_list> ) ]
:AVErAge:MAXimum? [ (@<ch_list> ) ]
:AVErAge:MAXimum:TIME? [ (@<ch_list> ) ]
:AVErAge:AVErAge? [ (@<ch_list> ) ]
:AVErAge:PTPeak? [ (@<ch_list> ) ]
:AVErAge:COUNT? [ (@<ch_list> ) ]
:AVErAge:CLEar [ (@<ch_list> ) ]

DATA:LAST? [ <num_rdgs> , ] [ (@<channel> ) ]
```

Scan Memory Commands

(see page 235 for more information)

```
DATA:POINTs?
DATA:REMOve? <num_rdgs>
SYSTEM:TIME:SCAN?
FETCh?
R? [ <max_count> ]
```

Scanning With an External Instrument

(see page 239 for more information)

ROUTE

S :SCAN (@<scan_list>)
:SCAN?
:SCAN:SIZE?

G TRIGger
:SOURCE {BUS|IMMEDIATE|EXTERNAL|**TIMER**}
:SOURCE?

G TRIGger
:TIMER {<seconds>|**MIN**|MAX}
:TIMER?

G TRIGger
:COUNT {<count>|MIN|MAX|**INFINITY**}
:COUNT?

ROUTE

:CHANNEL:DELAY <seconds> [, (@<ch_list>)]
:CHANNEL:DELAY? [(@<ch_list>)]

G ROUTE
:CHANNEL:ADVANCE:SOURCE {**EXTERNAL**|BUS|IMMEDIATE}
:CHANNEL:ADVANCE:SOURCE?

ROUTE

:CHANNEL:FWIRE {OFF|ON} [, (@<ch_list>)]
:CHANNEL:FWIRE? [(@<ch_list>)]

G INSTRUMENT
:DMM {OFF|ON}
:DMM?
:DMM:INSTALLED?

S *This command redefines the scan list when executed.*

G *This command applies to all channels in the instrument (Global setting).
Default parameters are shown in **bold**.*

Temperature Configuration Commands

(see page 219 for more information)

```
S CONFigure
    :TEMPerature {TCouple|RTD|FRTD|THERmistor|DEF}
      ,{<type>|DEF}[ ,1[ ,{<resolution>|MIN|MAX|DEF}]] ,(@<scan_list>)
CONFigure? [(@<ch_list>)]

UNIT
    :TEMPerature {C|F|K}[ ,(@<ch_list>)]
    :TEMPerature? [(@<ch_list>)]

[SENSe:]TEMPerature:TRANsducer
    :TYPE {TCouple|RTD|FRTD|THERmistor|DEF}[ ,(@<ch_list>)]
    :TYPE? [(@<ch_list>)]

[SENSe:]TEMPerature:TRANsducer
    :TCouple:TYPE {B|E|J|K|N|R|S|T}[ ,(@<ch_list>)]
    :TCouple:TYPE? [(@<ch_list>)]
    :TCouple:CHECK {OFF|ON}[ ,(@<ch_list>)]
    :TCouple:CHECK? [(@<ch_list>)]

[SENSe:]TEMPerature:TRANsducer
    :TCouple:RJUNction:TYPE {INTernal|EXternal|FIXed}[ ,(@<ch_list>)]
    :TCouple:RJUNction:TYPE? [(@<ch_list>)]
    :TCouple:RJUNction {<temperature>|MIN|MAX}[ ,(@<ch_list>)]
    :TCouple:RJUNction? [(@<ch_list>)]

[SENSe:]TEMPerature:RJUNction? [(@<ch_list>)]

[SENSe:]TEMPerature:TRANsducer
    :RTD:TYPE {85|91}[ ,(@<ch_list>)]
    :RTD:TYPE? [(@<ch_list>)]
    :RTD:RESistance[:REference] <reference>[ ,(@<ch_list>)]
    :RTD:RESistance[:REference]? [(@<ch_list>)]

[SENSe:]TEMPerature:TRANsducer
    :FRTD:TYPE {85|91}[ ,(@<ch_list>)]
    :FRTD:TYPE? [(@<ch_list>)]
    :FRTD:RESistance[:REference] <reference>[ ,(@<ch_list>)]
    :FRTD:RESistance[:REference]? [(@<ch_list>)]

[SENSe:]TEMPerature:TRANsducer
    :THERmistor:TYPE {2252|5000|10000}[ ,(@<ch_list>)]
    :THERmistor:TYPE? [(@<ch_list>)]

[SENSe:]
    TEMPerature:NPLC {0.02|0.2|1|2|10|20|100|200|MIN|MAX}[ ,(@<ch_list>)]
    TEMPerature:NPLC? [(@<ch_list>)|MIN|MAX]
```

S *This command redefines the scan list when executed.
Default parameters are shown in bold.*

Voltage Configuration Commands

(see page 223 for more information)

```
S CONFIGure
    :VOLTage:DC [ { <range> | AUTO | MIN | MAX | DEF }
        [ , <resolution> | MIN | MAX | DEF } ] , ] ( @ <scan_list> )
CONFIGure? [ ( @ <ch_list> ) ]

[SENSe:]
    VOLTage:DC:RANGe { <range> | MIN | MAX } [ , ( @ <ch_list> ) ]
    VOLTage:DC:RANGe? [ { ( @ <ch_list> ) | MIN | MAX } ]
    VOLTage:DC:RANGe:AUTO { OFF | ON } [ , ( @ <ch_list> ) ]
    VOLTage:DC:RANGe:AUTO? [ ( @ <ch_list> ) ]

[SENSe:]
    VOLTage:DC:RESolution { <resolution> | MIN | MAX } [ , ( @ <ch_list> ) ]
    VOLTage:DC:RESolution? [ { ( @ <ch_list> ) | MIN | MAX } ]

[SENSe:]
    VOLTage:DC:APERture { <time> | MIN | MAX } [ , ( @ <ch_list> ) ]
    VOLTage:DC:APERture? [ { ( @ <ch_list> ) | MIN | MAX } ]

[SENSe:]
    VOLTage:DC:NPLC { 0.02 | 0.2 | 1 | 2 | 10 | 20 | 100 | 200 | MIN | MAX } [ , ( @ <ch_list> ) ]
    VOLTage:DC:NPLC? [ { ( @ <ch_list> ) | MIN | MAX } ]

INPut
    :IMPedance:AUTO { OFF | ON } [ , ( @ <ch_list> ) ]
    :IMPedance:AUTO? [ ( @ <ch_list> ) ]

[SENSe:]
    ZERO:AUTO { OFF | ONCE | ON } [ , ( @ <ch_list> ) ]
    ZERO:AUTO? [ ( @ <ch_list> ) ]

S CONFIGure
    :VOLTage:AC [ { <range> | AUTO | MIN | MAX | DEF }
        [ , <resolution> | MIN | MAX | DEF } ] , ] ( @ <scan_list> )
CONFIGure? [ ( @ <ch_list> ) ]

[SENSe:]
    VOLTage:AC:RANGe { <range> | MIN | MAX } [ , ( @ <ch_list> ) ]
    VOLTage:AC:RANGe? [ { ( @ <ch_list> ) | MIN | MAX } ]
    VOLTage:AC:RANGe:AUTO { OFF | ON } [ , ( @ <ch_list> ) ]
    VOLTage:AC:RANGe:AUTO? [ ( @ <ch_list> ) ]

[SENSe:]
    VOLTage:AC:BANDwidth { 3 | 20 | 200 | MIN | MAX } [ , ( @ <ch_list> ) ]
    VOLTage:AC:BANDwidth? [ { ( @ <ch_list> ) | MIN | MAX } ]
```

S *This command redefines the scan list when executed.
Default parameters are shown in bold.*

Resistance Configuration Commands

(see page 224 for more information)

- S** CONFigure
:RESistance [{ <range> | **AUTO** | MIN | MAX | DEF }
[, <resolution> | MIN | MAX | DEF]] , (@ <scan_list>)
CONFigure? [(@ <ch_list>)]
- [SENSE:]
RESistance:RANGe { <range> | MIN | MAX } [, (@ <ch_list>)]
RESistance:RANGe? [{ (@ <ch_list>) | MIN | MAX }]
RESistance:RANGe:AUTO { OFF | **ON** } [, (@ <ch_list>)]
RESistance:RANGe:AUTO? [(@ <ch_list>)]
- [SENSE:]
RESistance:RESolution { <resolution> | MIN | MAX } [, (@ <ch_list>)]
RESistance:RESolution? [{ (@ <ch_list>) | MIN | MAX }]
RESistance:APERTure { <time> | MIN | MAX } [, (@ <ch_list>)]
RESistance:APERTure? [{ (@ <ch_list>) | MIN | MAX }]
RESistance:NPLC { 0.02 | 0.2 | **1** | 2 | 10 | 20 | 100 | 200 | MIN | MAX } [, (@ <ch_list>)]
RESistance:NPLC? [{ (@ <ch_list>) | MIN | MAX }]
- [SENSE:]
RESistance:OCOMPensated { **OFF** | ON } [, (@ <ch_list>)]
RESistance:OCOMPensated? [(@ <ch_list>)]
- S** CONFigure
:FRESistance [{ <range> | **AUTO** | MIN | MAX | DEF }
[, <resolution> | MIN | MAX | DEF]] , (@ <scan_list>)
CONFigure? [(@ <ch_list>)]
- [SENSE:]
FRESistance:RANGe { <range> | MIN | MAX } [, (@ <ch_list>)]
FRESistance:RANGe? [{ (@ <ch_list>) | MIN | MAX }]
FRESistance:RANGe:AUTO { OFF | **ON** } [, (@ <ch_list>)]
FRESistance:RANGe:AUTO? [(@ <ch_list>)]
- [SENSE:]
FRESistance:RESolution { <resolution> | MIN | MAX } [, (@ <ch_list>)]
FRESistance:RESolution? [{ (@ <ch_list>) | MIN | MAX }]
FRESistance:APERTure { <time> | MIN | MAX } [, (@ <ch_list>)]
FRESistance:APERTure? [{ (@ <ch_list>) | MIN | MAX }]
FRESistance:NPLC { 0.02 | 0.2 | **1** | 2 | 10 | 20 | 100 | 200 | MIN | MAX } [, (@ <ch_list>)]
FRESistance:NPLC? [{ (@ <ch_list>) | MIN | MAX }]
- [SENSE:]
FRESistance:OCOMPensated { **OFF** | ON } [, (@ <ch_list>)]
FRESistance:OCOMPensated? [(@ <ch_list>)]
- S** *This command redefines the scan list when executed.
Default parameters are shown in bold.*

Current Configuration Commands

(see page 224 for more information)

Valid only on channels 21 and 22 on the 34901A multiplexer module.

```
S CONFigure
    :CURRent:DC [ { <range> | AUTO | MIN | MAX | DEF }
        [ , <resolution> | MIN | MAX | DEF } ] , ] ( @ <scan_list> )
CONFigure? [ ( @ <ch_list> ) ]

[SENSE:]
    CURRent:DC:RANGe { <range> | MIN | MAX } [ , ( @ <ch_list> ) ]
    CURRent:DC:RANGe? [ { ( @ <ch_list> ) | MIN | MAX } ]
    CURRent:DC:RANGe:AUTO { OFF | ON } [ , ( @ <ch_list> ) ]
    CURRent:DC:RANGe:AUTO? [ ( @ <ch_list> ) ]

[SENSE:]
    CURRent:DC:RESolution { <resolution> | MIN | MAX } [ , ( @ <ch_list> ) ]
    CURRent:DC:RESolution? [ { ( @ <ch_list> ) | MIN | MAX } ]

[SENSE:]
    CURRent:DC:APERture { <time> | MIN | MAX } [ , ( @ <ch_list> ) ]
    CURRent:DC:APERture? [ { ( @ <ch_list> ) | MIN | MAX } ]

[SENSE:]
    CURRent:DC:NPLC { 0.02 | 0.2 | 1 | 2 | 10 | 20 | 100 | 200 | MIN | MAX } [ , ( @ <ch_list> ) ]
    CURRent:DC:NPLC? [ { ( @ <ch_list> ) | MIN | MAX } ]

S CONFigure
    :CURRent:AC [ { <range> | AUTO | MIN | MAX | DEF }
        [ , <resolution> | MIN | MAX | DEF } ] , ] ( @ <scan_list> )
CONFigure? [ ( @ <ch_list> ) ]

[SENSE:]
    CURRent:AC:RANGe { <range> | MIN | MAX } [ , ( @ <ch_list> ) ]
    CURRent:AC:RANGe? [ { ( @ <ch_list> ) | MIN | MAX } ]
    CURRent:AC:RANGe:AUTO { OFF | ON } [ , ( @ <ch_list> ) ]
    CURRent:AC:RANGe:AUTO? [ ( @ <ch_list> ) ]

[SENSE:]
    CURRent:AC:BANDwidth { 3 | 20 | 200 | MIN | MAX } [ , ( @ <ch_list> ) ]
    CURRent:AC:BANDwidth? [ { ( @ <ch_list> ) | MIN | MAX } ]
```

S *This command redefines the scan list when executed.
Default parameters are shown in bold.*

Frequency and Period Configuration Commands

(see page 214 for more information)

```
S CONFigure
    :FREQuency [ { <range> | AUTO | MIN | MAX | DEF }
                [ , <resolution> | MIN | MAX | DEF } ] , ] ( @<scan_list> )
CONFigure? [ ( @<ch_list> ) ]

[SENSE:]
FREQuency:VOLTage:RANGE { <range> | MIN | MAX } [ , ( @<ch_list> ) ]
FREQuency:VOLTage:RANGE? [ { ( @<ch_list> ) | MIN | MAX } ]
FREQuency:VOLTage:RANGE:AUTO { OFF | ON } [ , ( @<ch_list> ) ]
FREQuency:VOLTage:RANGE:AUTO? [ ( @<ch_list> ) ]

[SENSE:]
FREQuency:APERture { 0.01 | 0.1 | 1 | MIN | MAX } [ , ( @<ch_list> ) ]
FREQuency:APERture? [ { ( @<ch_list> ) | MIN | MAX } ]

[SENSE:]
FREQuency:RANGE:LOWer { 3 | 20 | 200 | MIN | MAX } [ , ( @<ch_list> ) ]
FREQuency:RANGE:LOWer? [ { ( @<ch_list> ) | MIN | MAX } ]

S CONFigure
    :PERiod [ { <range> | AUTO | MIN | MAX | DEF }
            [ , <resolution> | MIN | MAX | DEF } ] , ] ( @<scan_list> )
CONFigure? [ ( @<ch_list> ) ]

[SENSE:]
PERiod:VOLTage:RANGE { <range> | MIN | MAX } [ , ( @<ch_list> ) ]
PERiod:VOLTage:RANGE? [ { ( @<ch_list> ) | MIN | MAX } ]
PERiod:VOLTage:RANGE:AUTO { OFF | ON } [ , ( @<ch_list> ) ]
PERiod:VOLTage:RANGE:AUTO? [ ( @<ch_list> ) ]

[SENSE:]
PERiod:APERture { 0.01 | 0.1 | 1 | MIN | MAX } [ , ( @<ch_list> ) ]
PERiod:APERture? [ { ( @<ch_list> ) | MIN | MAX } ]
```

S *This command redefines the scan list when executed.
Default parameters are shown in bold.*

| |
|------------------------------|
| Mx+B Scaling Commands |
|------------------------------|

(see page 244 for more information)

```
CALCulate
:SCALE:GAIN <gain> [ , (@<ch_list> ) ]
:SCALE:GAIN? [ (@<ch_list> ) ]
:SCALE:OFFSET <offset> [ , (@<ch_list> ) ]
:SCALE:OFFSET? [ (@<ch_list> ) ]
:SCALE:UNIT <quoted_string> [ , (@<ch_list> ) ]
:SCALE:UNIT? [ (@<ch_list> ) ]

CALCulate:SCALE:OFFSET:NULL [ (@<ch_list> ) ]

CALCulate
:SCALE:STATE {OFF|ON} [ , (@<ch_list> ) ]
:SCALE:STATE? [ (@<ch_list> ) ]
```

Alarm Limit Commands

(see page 247 for more information)

OUTPut

```
:ALARm[1|2|3|4]:SOURce (@<ch_list>)  
:ALARm[1|2|3|4]:SOURce?
```

CALCulate

```
:LIMit:UPPer <hi_limit>[ , (@<ch_list> )]  
:LIMit:UPPer? [ (@<ch_list> )]  
:LIMit:UPPer:STATe {OFF|ON}[ , (@<ch_list> )]  
:LIMit:UPPer:STATe? [ (@<ch_list> )]
```

CALCulate

```
:LIMit:LOWer <lo_limit>[ , (@<ch_list> )]  
:LIMit:LOWer? [ (@<ch_list> )]  
:LIMit:LOWer:STATe {OFF|ON}[ , (@<ch_list> )]  
:LIMit:LOWer:STATe? [ (@<ch_list> )]
```

SYSTem:ALARm?

G

OUTPut

```
:ALARm:MODE {LATCh|TRACK}  
:ALARm:MODE?  
:ALARm:SLOPe {NEGative|POSitive}  
:ALARm:SLOPe?
```

OUTPut

```
:ALARm{1|2|3|4}:CLEar  
:ALARm:CLEar:ALL
```

STATus

```
:ALARm:CONDition?  
:ALARm:ENABle <enable_value>  
:ALARm:ENABle?  
:ALARm[ :EVENT ]?
```

| Ch 01 DIO (LSB) | Ch 02 DIO (MSB) | Ch 03 Totalizer | Ch 04 DAC | Ch 05 DAC |
|--------------------|--------------------|--------------------|--------------|--------------|
|--------------------|--------------------|--------------------|--------------|--------------|

CALCulate

```
:COMPare:TYPE {EQUAL|NEQual}[ , (@<ch_list> )]  
:COMPare:TYPE? [ (@<ch_list> )]  
:COMPare:DATA <data>[ , (@<ch_list> )]  
:COMPare:DATA? [ (@<ch_list> )]  
:COMPare:MASK <mask>[ , (@<ch_list> )]  
:COMPare:MASK? [ (@<ch_list> )]  
:COMPare:STATe {OFF|ON}[ , (@<ch_list> )]  
:COMPare:STATe? [ (@<ch_list> )]
```

G

*This command applies to all channels in the instrument (Global setting).
 Default parameters are shown in **bold**.*

Digital Input Commands

(see page 255 for more information)

| Ch 01 | Ch 02 | Ch 03 | Ch 04 | Ch 05 |
|-----------|-----------|-----------|-------|-------|
| DIO (LSB) | DIO (MSB) | Totalizer | DAC | DAC |

- S** CONFigure:DIGital:BYTE (@<scan_list>
CONFigure? [(@<ch_list>)]
- [SENSe:]DIGital:DATA:{**BYTE**|WORD}? [(@<ch_list>)]

Totalizer Commands

(see page 256 for more information)

| Ch 01 | Ch 02 | Ch 03 | Ch 04 | Ch 05 |
|-----------|-----------|-----------|-------|-------|
| DIO (LSB) | DIO (MSB) | Totalizer | DAC | DAC |

- S** CONFigure:TOTALize {**READ**|RRESet} , (@<scan_list>
CONFigure? [(@<ch_list>)]
- [SENSe:]
TOTALize:TYPE {**READ**|RRESet}[, (@<ch_list>)]
TOTALize:TYPE? [(@<ch_list>)]
- [SENSe:]
TOTALize:SLOPe {NEGative|**POSitive**}[, (@<ch_list>)]
TOTALize:SLOPe? [(@<ch_list>)]
- [SENSe:]TOTALize:CLEar:IMMediate [(@<ch_list>)]
- [SENSe:]TOTALize:DATA? [(@<ch_list>)]

- S** *This command redefines the scan list when executed.
Default parameters are shown in bold.*

Digital Output Commands

(see page 258 for more information)

| Ch 01 | Ch 02 | Ch 03 | Ch 04 | Ch 05 |
|-----------|-----------|-----------|-------|-------|
| DIO (LSB) | DIO (MSB) | Totalizer | DAC | DAC |

```
SOURce
:DIGital:DATA[:{BYTE|WORD}] <data> ,(@<ch_list>)
:DIGital:DATA[:{BYTE|WORD}]? (@<ch_list>)

SOURce:DIGital:STATe? (@<ch_list>)
```

DAC Output Commands

(see page 258 for more information)

| Ch 01 | Ch 02 | Ch 03 | Ch 04 | Ch 05 |
|-----------|-----------|-----------|-------|-------|
| DIO (LSB) | DIO (MSB) | Totalizer | DAC | DAC |

```
SOURce
:VOLTage <voltage> ,(@<ch_list>)
:VOLTage? (@<ch_list>)
```

Switch Control Commands

(see page 259 for more information)

```
ROUTe
:CLoSe (@<ch_list>)
:CLoSe:EXCLuSive (@<ch_list>)
:CLoSe? (@<ch_list>)

ROUTe
:OPeN (@<ch_list>)
:OPeN? (@<ch_list>)

ROUTe
:CHANnel:FWIRE {OFF|ON} [ ,(@<ch_list>) ]
:CHANnel:FWIRE? [ (@<ch_list>) ]

ROUTe:DONe?

SYSTem:CPON {100|200|300|ALL}
```

Default parameters are shown in bold.

Scan Triggering Commands

(see page 228 for more information)

- G** TRIGger
:SOURCE {BUS | **IMM**ediate | EXTernal | ALARm1 | ALARm2 | ALARm3 | ALARm4 | TIMer}
:SOURce?
 - G** TRIGger
:TIMer {<seconds> | **MIN** | MAX}
:TIMer?
 - G** TRIGger
:COUNT {<count> | **MIN** | MAX | INFinity}
:COUNT?
- *TRG
- INITiate
- READ?

State Storage Commands

(see page 261 for more information)

*SAV {0 | 1 | 2 | 3 | 4 | 5}
*RCL {0 | 1 | 2 | 3 | 4 | 5}

MEMory:STATe
:NAME {1 | 2 | 3 | 4 | 5} [, <name>]
:NAME? {1 | 2 | 3 | 4 | 5}

MEMory:STATe:DELete {0 | 1 | 2 | 3 | 4 | 5}

MEMory:STATe
:RECall:AUTO {OFF | **ON**}
:RECall:AUTO?

MEMory:STATe:VALid? {0 | 1 | 2 | 3 | 4 | 5}

MEMory:NSTATes?

- G** *This command applies to all channels in the instrument (Global setting). Default parameters are shown in **bold**.*

System-Related Commands

(see page 264 for more information)

```
SYSTem
:DATE <yyyy> , <mm> , <dd>
:DATE?
:TIME <hh> , <mm> , <ss.sss>
:TIME?

FORMat
:READing:TIME:TYPE {ABSolute|RELative}
:READing:TIME:TYPE?

*IDN?

SYSTem:CTYPE? {100|200|300}

DIAGnostic
:POKE:SLOT:DATA {100|200|300}, <quoted_string>
:PEEK:SLOT:DATA? {100|200|300}

DISPlay {OFF|ON}
DISPlay?

DISPlay
:TEXT <quoted_string>
:TEXT?
:TEXT:CLear

INSTrument
:DMM {OFF|ON}
:DMM?
:DMM:INSTALLED?

*RST

SYSTem:PRESet

SYSTem:CPON {100|200|300|ALL}

SYSTem:ERRor?

SYSTem:ALARm?

SYSTem:VERSion?

*TST?
```

Default parameters are shown in bold.

Interface Configuration Commands

(see page 269 for more information)

```
SYSTem:INTerface {GPIB|RS232}  
SYSTem:LOCal  
SYSTem:REMOte  
SYSTem:RWLock
```

Status System Commands

(see page 286 for more information)

```
*STB?  
*SRE <enable_value>  
*SRE?  
  
STATus  
:QUEStionable:CONDition?  
:QUEStionable[:EVENT]?  
:QUEStionable:ENABle <enable_value>  
:QUEStionable:ENABle?  
  
*ESR?  
*ESE <enable_value>  
*ESE?  
  
STATus  
:ALARm:CONDition?  
:ALARm[:EVENT]?  
:ALARm:ENABle <enable_value>  
:ALARm:ENABle?  
  
STATus  
:OPERation:CONDition?  
:OPERation[:EVENT]?  
:OPERation:ENABle <enable_value>  
:OPERation:ENABle?  
  
DATA:POINts  
:EVENT:THReshold <num_rdgs>  
:EVENT:THReshold?  
  
STATus:PRESet  
  
*CLS  
  
*PSC {0|1}  
*PSC?  
  
*OPC
```


Calibration Commands

(see page 292 for more information)

CALibration?

CALibration:COUNT?

CALibration
:SECure:CODE <new_code>
:SECure:STATE {OFF|**ON**}, <code>
:SECure:STATE?

CALibration
:STRing <quoted_string>
:STRing?

CALibration
:VALue <value>
:VALue?

Service-Related Commands

(see page 294 for more information)

INSTRument
:DMM {OFF|ON}
:DMM?
:DMM:INSTALLED?

DIAGnostic
:DMM:CYCLES?
:DMM:CYCLES:CLEAr {1|2|3}

DIAGnostic
:RELAy:CYCLES? [(@<ch_list>)]
:RELAy:CYCLES:CLEAr [(@<ch_list>)]

*RST

SYSTEM:PRESet

SYSTEM:CPON {100|200|300|ALL}

SYSTEM:VERSion?

*TST?

Default parameters are shown in bold.

| |
|-----------------------------------|
| IEEE 488.2 Common Commands |
|-----------------------------------|

*CLS
*ESR?
*ESE *<enable_value>*
*ESE?
*IDN?
*OPC
*OPC?
*PSC {0 | 1}
*PSC?
*RST
*SAV {0 | 1 | 2 | 3 | 4 | 5}
*RCL {0 | 1 | 2 | 3 | 4 | 5}
*STB?
*SRE *<enable_value>*
*SRE?
*TRG
*TST?

Simplified Programming Overview

This section gives an overview of the basic techniques used to program the 34970A over the remote interface. This section is only an overview and does not give all of the details you will need to write your own application programs. Refer to the remainder of this chapter and also the application examples in chapter 7 for more details and examples. You may also want to refer to the documentation provided with your programming application for details on outputting command strings and entering data.

The `MEASure?` and `CONFigure` commands provide the most straightforward method to program the instrument for scanning. You can select the measurement function, range, and resolution all in one command. All other measurement parameters are set to their default values as shown in the table below.

| Measurement Parameter | MEASure? and CONFigure Setting |
|------------------------------|--|
| Integration Time | 1 PLC |
| Input Resistance | 10 M Ω (fixed for all DCV ranges) |
| AC Filter | 20 Hz (medium filter) |
| Scan List | Redefined when command executed |
| Scan Interval Source | Immediate |
| Scan Count | 1 Scan Sweep |
| Channel Delay | Automatic Delay |

When you configure a channel using `MEASure?` or `CONFigure`, it is important to note that the previous configuration on that channel is lost. For example, assume that a channel is configured for dc voltage measurements. When you reconfigure that channel for thermocouple measurements, the previous range, resolution, and other measurement attributes are set to their default values.

Using the MEASure? Command

The MEASure? command provides the easiest way to program the instrument for scanning. However, this command does not offer much flexibility. When you execute this command, the instrument uses default values for the requested measurement configuration and immediately performs the scan. You cannot change any measurement attributes (other than function, range, and resolution) before the measurement is taken. The results are sent directly to the instrument's output buffer but readings *are not* stored in memory.

Note: *Sending MEASure? is functionally the same as sending CONFIGure followed immediately by a READ? command.*

Using the CONFigure Command

For a little more programming flexibility, use the CONFigure command. When you execute this command, the instrument uses the default values for the requested measurement configuration (like the MEASure? command). However, the scan *is not* automatically started and you can change some measurement attributes before initiating the scan. This allows you to incrementally change the instrument's configuration from the default conditions. The instrument offers a variety of low-level commands in the ROUTe, SENSE, SOURce, CALCulate, and TRIGger subsystems.

Note: *Use the INITiate or READ? command to initiate the scan. The INITiate command stores the readings in memory. Use the FETCh? command to retrieve the stored readings from memory.*

Using the *range* and *resolution* Parameters

With the MEASure? and CONFigure commands, you can select the measurement function, range, and resolution all in one command. Use the *range* parameter to specify a fixed range larger than the expected value of the input signal. You can also set the *range* parameter to AUTO to select autoranging.

For frequency and period measurements, the instrument uses one “range” for all inputs between 3 Hz and 300 kHz. The *range* parameter is required only to specify the resolution. Therefore, it is not necessary to send a new command for each new frequency to be measured.

Use the *resolution* parameter to specify the desired resolution for the measurement. Setting the resolution also sets the integration time for the measurement. The following table shows the relationship between integration time, measurement resolution, number of digits, and number of bits.

| Integration Time | Resolution | Digits | Bits |
|------------------|------------------------------|------------------|-----------|
| 0.02 PLC | < 0.0001 x Range | 4½ Digits | 15 |
| 0.2 PLC | < 0.00001 x Range | 5½ Digits | 18 |
| 1 PLC | < 0.000003 x Range | 5½ Digits | 20 |
| 2 PLC | < 0.0000022 x Range | 6½ Digits | 21 |
| 10 PLC | < 0.000001 x Range | 6½ Digits | 24 |
| 20 PLC | < 0.0000008 x Range | 6½ Digits | 25 |
| 100 PLC | < 0.0000003 x Range | 6½ Digits | 26 |
| 200 PLC | < 0.00000022 x Range | 6½ Digits | 26 |

Specify the resolution in the same units as the measurement function, *not in number of digits*. For example, for dc voltage measurements, specify the desired resolution in volts. For resistance, specify the desired resolution in ohms. For frequency, specify the desired resolution in hertz.

Using the READ? Command

The READ? command changes the state of the scan trigger system from the “idle” state to the “wait-for-trigger” state. Scanning will begin when the specified trigger conditions are satisfied following the receipt of the READ? command. Readings are then sent *immediately* to the instrument’s output buffer. You *must* then enter the readings into your computer or the instrument will stop scanning when the output buffer becomes full. Readings *are not* stored in the instrument’s internal memory when using the READ? command.

Note: *Sending the READ? command is like sending the INITiate command followed immediately by the FETCh? command, except the readings are not stored in reading memory when using READ?.*

Caution

If you send two query commands without reading the response from the first, and then attempt to read the second response, you may receive some data from the first response followed by the complete second response. To avoid this, do not send a query command without first reading the response. When you cannot avoid this situation, send a Device Clear before sending the second query command.

Using the INITiate and FETCh? Commands

The INITiate and FETCh? commands provide the lowest level of control (with the most flexibility) of scan triggering and reading retrieval. Use the INITiate command after you have configured the instrument for a scan. Scanning will begin when the specified trigger conditions are satisfied following the receipt of the INITiate command. The readings are placed in the instrument’s internal reading memory (up to 50,000 readings can be stored; if memory fills, new readings will overwrite the first readings stored). Readings *are stored* in memory until you are able to retrieve them.

Use the FETCh? command to transfer all of the readings from reading memory to the instrument’s output buffer where you can read them into your computer. Note that the FETCh? command *does not* clear memory. You can send the FETCh? command any number of times to retrieve the same data in reading memory.

Example: Using MEASure?

The following program segment shows how to use the `MEASure?` command to make a measurement on one channel. This example configures the instrument for dc voltage measurements, internally triggers the instrument to scan one channel, and then sends the reading to the instrument's output buffer.

```
MEAS:VOLT:DC? 10,0.003,(@301)
```

This is the simplest way to take a reading. However, you do not have any flexibility with `MEASure?` to set the scan count, channel delay, etc. All measurement parameters except function, range, and resolution are preset for you automatically (*see the table on page 201*).

Example: Using CONFigure With READ?

The following program segment shows how to use the `READ?` command with `CONFigure` to make an externally-triggered scan on one channel. The program configures the instrument for a dc voltage measurement. Using `CONFigure` does not place the instrument in the “wait-for-trigger” state. The `READ?` command places the instrument in the “wait-for-trigger” state, scans the channel once when the *Ext Trig* terminal is pulsed on the rear panel, and sends the reading to the instrument's output buffer.

```
CONF:VOLT:DC 10,0.003,(@301)  
TRIG:SOUR EXT  
READ?
```

Example: Using CONFigure With INITiate and FETCh?

The following program segment is similar to the previous example but it uses `INITiate` to place the instrument in the “wait-for-trigger” state. The `INITiate` command places the instrument in the “wait-for-trigger” state, scans the specified channel when the *Ext Trig* terminal is pulsed on the rear panel, and sends the reading to reading memory. The `FETCh?` command transfers the reading from reading memory to the instrument’s output buffer.

```
CONF:VOLT:DC 10,0.003,(@301)
TRIG:SOUR EXT
INIT
FETC?
```

Storing readings in memory using the `INITiate` command is faster than sending readings to the output buffer using the `READ?` command. The `INITiate` command is also an “overlapped” command. This means that after executing the `INITiate` command, you can send other commands that do not affect the scan. Note that the `FETCh?` command will wait until the scan is complete to terminate. The instrument can store up to 50,000 readings in internal reading memory.

Note: *To stop a scan that has been started using the `INITiate` command, send an `ABORT` command or Device Clear (see page 302).*

The MEASure? and CONFigure Commands

Both the MEASure? and CONFigure commands reset all measurement parameters to their default values. For more information on the default settings for these commands, see the table on page 201.

- For the *range* parameter, MIN selects the lowest range for the selected function; MAX selects the highest range; AUTO or DEF selects autoranging. For more information on autoranging, refer to “General Measurement Configuration” starting on page 98.
- For the *resolution* parameter, specify the resolution in the same units as the measurement function, *not in number of digits*. MIN selects the smallest value accepted, which gives the highest resolution; MAX selects the largest value accepted, which gives the least resolution; DEF selects the default resolution which is 0.000003 x range (1 PLC). For more information on resolution, see the table on page 203.

MEASure? Command Syntax

MEASure:TEMPerature?

```
TCouple, {B|E|J|K|N|R|S|T|DEF}  
[ , 1 [ , <resolution> | MIN | MAX | DEF } ] ] , (@<scan_list> )
```

Configure the specified channels for thermocouple measurements and immediately sweep through the scan list one time. *Note that this command also redefines the scan list.* The readings are sent directly to the instrument's output buffer but the readings *are not* stored in reading memory. The default (DEF) transducer type is a J-Type thermocouple.

MEASure:TEMPERature?

```
{RTD|FRTD},{85|91|DEF}  
[,1[,<resolution>|MIN|MAX|DEF]]],(@<scan_list>)
```

Configure the specified channels for 2-wire or 4-wire RTD measurements and immediately sweep through the scan list one time. Use “85” to specify $\alpha = 0.00385$ or “91” to specify $\alpha = 0.00391$. *Note that this command also redefines the scan list.* The readings are sent directly to the instrument’s output buffer but the readings *are not* stored in reading memory. The default (DEF) type is “85” ($\alpha = 0.00385$).

For 4-wire RTD measurements (FRTD), the instrument automatically pairs channel n with channel $n+10$ (34901A) or $n+8$ (34902A) to provide the source and sense connections. For example, make the *source* connections to the HI and LO terminals on channel 2 and the *sense* connections to the HI and LO terminals on channel 12. Specify the paired channel in the lower bank (source) as the *scan_list* channel.

MEASure:TEMPERature?

```
{THERmistor},{2252|5000|10000|DEF}  
[,1[,<resolution>|MIN|MAX|DEF]]],(@<scan_list>)
```

Configure the specified channels for thermistor measurements and immediately sweep through the scan list one time. *Note that this command also redefines the scan list.* The readings are sent directly to the instrument’s output buffer but the readings *are not* stored in reading memory. The default (DEF) transducer type is a 5 k Ω thermistor.

MEASure:VOLTage:DC?

MEASure:VOLTage:AC?

```
{<range>|AUTO|MIN|MAX|DEF}  
[,<resolution>|MIN|MAX|DEF]],] (@<scan_list>)
```

Configure the specified channels for dc or ac voltage measurements and immediately sweep through the scan list one time. *Note that this command also redefines the scan list.* The readings are sent directly to the instrument’s output buffer but the readings *are not* stored in reading memory. For ac measurements, the resolution is actually fixed at 6½ digits; the *resolution* parameter only affects the number of digits shown on the front-panel.

MEASure:RESistance?

MEASure:FRESistance?

```
[ { <range> | AUTO | MIN | MAX | DEF }  
  [ , <resolution> | MIN | MAX | DEF ] , ] ( @<scan_list> )
```

Configure the specified channels for 2-wire or 4-wire measurements and immediately sweep through the scan list one time. *Note that this command also redefines the scan list.* The readings are sent directly to the output buffer but the readings *are not* stored in reading memory.

For 4-wire measurements (FRES), the instrument automatically pairs channel n with channel $n+10$ (34901A) or $n+8$ (34902A) to provide the source and sense connections. For example, make the *source* connections to the HI and LO terminals on channel 2 and the *sense* connections to the HI and LO terminals on channel 12. Specify the paired channel in the lower bank (source) as the *scan_list* channel.

MEASure:CURRENT:DC?

MEASure:CURRENT:AC?

```
[ { <range> | AUTO | MIN | MAX | DEF }  
  [ , <resolution> | MIN | MAX | DEF ] , ] ( @<scan_list> )
```

Note: Current measurements are allowed only on channels 21 and 22 on the 34901A multiplexer module.

Configure the specified channels for dc or ac current measurements and immediately sweep through the scan list one time. *Note that this command also redefines the scan list.* The readings are sent directly to the instrument's output buffer but the readings *are not* stored in reading memory. For ac measurements, the resolution is actually fixed at 6½ digits; the *resolution* parameter only affects the number of digits shown on the front-panel.

MEASure:FREQuency?

MEASure:PERiod?

```
[ { <range> | AUTO | MIN | MAX | DEF }  
  [ , <resolution> | MIN | MAX | DEF ] , ] ( @<scan_list> )
```

Configure the specified channels for frequency or period measurements and immediately sweep through the scan list one time. *Note that this command also redefines the scan list.* The readings are sent directly to the instrument's output buffer but the readings *are not* stored in reading memory. With no signal applied, "0" is returned.

MEASure:DIgital:BYTE? (@<scan_list>)

Configure the instrument to read the specified digital input channels on the multifunction module and immediately sweep through the scan list one time. *Note that this command also redefines the scan list.* The readings are sent directly to the instrument's output buffer but the readings *are not* stored in reading memory. The digital input channels are numbered "s01" (LSB) and "s02" (MSB), where *s* represents the slot number.

Note that if you include both digital input channels in the scan list, the instrument will read data from both ports simultaneously with the same time stamp. This will allow you to externally combine the two 8-bit value into one 16-bit value.

MEASure:TOTalize? {READ|RRESet} ,(@<scan_list>)

Configure the instrument to read the count on the specified totalizer channels on the multifunction module and immediately sweep through the scan list one time. *Note that this command also redefines the scan list.* The readings are sent directly to the instrument's output buffer but the readings *are not* stored in reading memory. The totalizer channel is numbered "s03", where *s* represents the slot number.

To read the totalizer during the scan without resetting the count, select the `READ` parameter. To read the totalizer during the scan and reset the count to "0" after it is read, select the `RRESet` parameter (this means "read and reset").

CONFigure Command Syntax

```
CONFigure:TEMPerature  
{TCouple}, {B|E|J|K|N|R|S|T|DEF}  
[,1[, <resolution> |MIN|MAX|DEF]] , (@<scan_list>)
```

Configure the specified channels for thermocouple measurements but *do not* initiate the scan. *Note that this command also redefines the scan list.* The default (DEF) transducer type is a J-Type thermocouple.

```
CONFigure:TEMPerature  
{RTD|FRTD}, {85|91|DEF}  
[,1[, <resolution> |MIN|MAX|DEF]] , (@<scan_list>)
```

Configure the specified channels for 2-wire or 4-wire RTD measurements but *do not* initiate the scan. Use “85” to specify $\alpha = 0.00385$ or “91” to specify $\alpha = 0.00391$. *Note that this command also redefines the scan list.* The default (DEF) type is “85” ($\alpha = 0.00385$).

For 4-wire RTD measurements (FRTD), the instrument automatically pairs channel n with channel $n+10$ (34901A) or $n+8$ (34902A) to provide the source and sense connections. For example, make the *source* connections to the HI and LO terminals on channel 2 and the *sense* connections to the HI and LO terminals on channel 12. Specify the paired channel in the lower bank (source) as the *scan_list* channel.

```
CONFigure:TEMPerature  
{THERmistor}, {2252|5000|10000|DEF}  
[,1[, <resolution> |MIN|MAX|DEF]] , (@<scan_list>)
```

Configure the specified channels for thermistor measurements but *do not* initiate the scan. *Note that this command also redefines the scan list.* The default (DEF) transducer type is a 5 k Ω thermistor.

```
CONFIgure:VOLTagE:DC
CONFIgure:VOLTagE:AC
  [ { <range> | AUTO | MIN | MAX | DEF }
    [ , <resolution> | MIN | MAX | DEF ] , ] ( @ <scan_list> )
```

Configure the specified channels for dc or ac voltage measurements but *do not* initiate the scan. *Note that this command also redefines the scan list.* For ac measurements, the resolution is actually fixed at 6½ digits; the *resolution* parameter only affects the number of digits shown on the front-panel.

```
CONFIgure:RESistance
CONFIgure:FRESistance
  [ { <range> | AUTO | MIN | MAX | DEF }
    [ , <resolution> | MIN | MAX | DEF ] , ] ( @ <scan_list> )
```

Configure the specified channels for 2-wire or 4-wire measurements but *do not* initiate the scan. *Note that this command also redefines the scan list.*

For 4-wire measurements (FRES), the instrument automatically pairs channel *n* with channel *n+10* (34901A) or *n+8* (34902A) to provide the source and sense connections. For example, make the *source* connections to the HI and LO terminals on channel 2 and the *sense* connections to the HI and LO terminals on channel 12. Specify the paired channel in the lower bank (source) as the *scan_list* channel.

```
CONFIgure:CURREnt:DC
CONFIgure:CURREnt:AC
  [ { <range> | AUTO | MIN | MAX | DEF }
    [ , <resolution> | MIN | MAX | DEF ] , ] ( @ <scan_list> )
```

Note: *Current measurements are allowed only on channels 21 and 22 on the 34901A multiplexer module.*

Configure the specified channels for dc or ac current measurements but *do not* initiate the scan. *Note that this command also redefines the scan list.* For ac measurements, the resolution is actually fixed at 6½ digits; the *resolution* parameter only affects the number of digits shown on the front-panel.

```
CONFigure:FREQuency
CONFigure:PERiod
  [ { <range> | AUTO | MIN | MAX | DEF }
    [ , <resolution> | MIN | MAX | DEF ] , ] ( @<scan_list> )
```

Configure the specified channels for frequency or period measurements but *do not* initiate the scan. For frequency and period measurements, the *range* parameter is ignored. *Note that this command also redefines the scan list.*

```
CONFigure:DIgital:BYTE ( @<scan_list> )
```

Configure the instrument to read the specified digital input channels on the multifunction module but *do not* initiate the scan. *Note that this command also redefines the scan list.* The digital input channels are numbered “*s*01” (LSB) and “*s*02” (MSB), where *s* is the slot number.

Note that if you include both digital input channels in the scan list, the instrument will read data from both ports simultaneously with the same time stamp. This will allow you to externally combine the two 8-bit value into one 16-bit value.

```
CONFigure:TOTalize { READ | RRESet } , ( @<scan_list> )
```

Configure the instrument to read the specified totalizer channels on the multifunction module but *do not* initiate the scan. *Note that this command also redefines the scan list.* The totalizer channel is numbered “*s*03”, where *s* represents the slot number.

To read the totalizer during the scan without resetting the count, select the `READ` parameter. To read the totalizer during the scan and reset the count to “0” after it is read, select the `RRESet` parameter (this means “read and reset”).

```
CONFigure? [ ( @<ch_list> ) ]
```

Query the present configuration on the specified channels and return a series of quoted strings. If you omit the optional *ch_list* parameter, the instrument uses the active scan list. The command returns a series of comma-separated fields as shown in the example below. Each field contains the function, range, and resolution.

```
"FRES +1.000000E+02,+3.000000E-04" , "TEMP TC,K,+1.000000E+00,+3.000000E-06"
```

Setting the Function, Range, and Resolution

See also "General Measurement Configuration" in chapter 4 starting on page 98.

- For 4-wire measurements, the instrument automatically pairs channel n with channel $n+10$ (34901A) or $n+8$ (34902A) to provide the source and sense connections. Specify the paired channel in the lower bank (source) as the *ch_list* channel.
- Current measurements are allowed only on channels 21 and 22 on the 34901A multiplexer module.

```
[SENSe:]FUNCTION "<function>" [ , (@<ch_list> ) ]
```

Select the measurement function on the specified channels. The function name must be enclosed in quotes in the command string (for example, FUNC "VOLT:DC"). Specify one of the following strings to set the function.

| | |
|--------------|--------------|
| TEMPerature | CURRent[:DC] |
| VOLTage[:DC] | CURRent:AC |
| VOLTage:AC | FREQuency |
| RESistance | PERiod |
| FRESistance | |

- Note that when you change the measurement function on a channel, all of the other measurement attributes (range, resolution, etc.) are set to their default values.
- You cannot set any function-specific measurement attributes unless the channel is already configured for that function. For example, you cannot set the ac filter unless that channel is already configured for ac voltage or ac current measurements.

```
[SENSe:]FUNCTION? [ (@<ch_list> ) ]
```

Query the measurement function on the specified channels and return a quoted string. The short form of the function name is always returned (for example, "VOLT").


```
[SENSE:]
VOLTage:DC:RANGe {<range>|MIN|MAX} [, (@<ch_list>)]
VOLTage:AC:RANGe {<range>|MIN|MAX} [, (@<ch_list>)]
RESistance:RANGe {<range>|MIN|MAX} [, (@<ch_list>)]
FRESistance:RANGe {<range>|MIN|MAX} [, (@<ch_list>)]
CURRent:DC:RANGe {<range>|MIN|MAX} [, (@<ch_list>)]
CURRent:AC:RANGe {<range>|MIN|MAX} [, (@<ch_list>)]
FREQuency:VOLTage:RANGe {<range>|MIN|MAX} [, (@<ch_list>)]
PERiod:VOLTage:RANGe {<range>|MIN|MAX} [, (@<ch_list>)]
```

Select the measurement range for the function selected on the specified channels. MIN selects the lowest range. MAX selects the highest range.

```
[SENSE:]
VOLTage:DC:RANGe? [ { (@<ch_list>)|MIN|MAX} ]
VOLTage:AC:RANGe? [ { (@<ch_list>)|MIN|MAX} ]
RESistance:RANGe? [ { (@<ch_list>)|MIN|MAX} ]
FRESistance:RANGe? [ { (@<ch_list>)|MIN|MAX} ]
CURRent:DC:RANGe? [ { (@<ch_list>)|MIN|MAX} ]
CURRent:AC:RANGe? [ { (@<ch_list>)|MIN|MAX} ]
FREQuency:VOLTage:RANGe? [ { (@<ch_list>)|MIN|MAX} ]
PERiod:VOLTage:RANGe? [ { (@<ch_list>)|MIN|MAX} ]
```

Query the measurement range on the specified channels. Returns a number in the form "+1.00000000E+01".

```
[SENSE:]
VOLTage:DC:RANGe:AUTO {OFF|ON} [, (@<ch_list>)]
VOLTage:AC:RANGe:AUTO {OFF|ON} [, (@<ch_list>)]
RESistance:RANGe:AUTO {OFF|ON} [, (@<ch_list>)]
FRESistance:RANGe:AUTO {OFF|ON} [, (@<ch_list>)]
CURRent:DC:RANGe:AUTO {OFF|ON} [, (@<ch_list>)]
CURRent:AC:RANGe:AUTO {OFF|ON} [, (@<ch_list>)]
FREQuency:VOLTage:RANGe:AUTO {OFF|ON} [, (@<ch_list>)]
PERiod:VOLTage:RANGe:AUTO {OFF|ON} [, (@<ch_list>)]
```

Disable or enable autoranging on the specified channels. Autoranging thresholds: Down ranges at <10% of range; Up range at >120% of range.

```
[SENSe:]  
VOLTage:DC:RANGe:AUTO? [ (@<ch_list> ) ]  
VOLTage:AC:RANGe:AUTO? [ (@<ch_list> ) ]  
RESistance:RANGe:AUTO? [ (@<ch_list> ) ]  
FRESistance:RANGe:AUTO? [ (@<ch_list> ) ]  
CURRENT:DC:RANGe:AUTO? [ (@<ch_list> ) ]  
CURRENT:AC:RANGe:AUTO? [ (@<ch_list> ) ]  
FREQuency:VOLTage:RANGe:AUTO? [ (@<ch_list> ) ]  
PERiod:VOLTage:RANGe:AUTO? [ (@<ch_list> ) ]
```

Query the autorange setting on the specified channels. Returns “0” (OFF) or “1” (ON).

```
[SENSe:]  
VOLTage:DC:RESolution {<resolution> |MIN|MAX} [ , (@<ch_list> ) ]  
RESistance:RESolution {<resolution> |MIN|MAX} [ , (@<ch_list> ) ]  
FRESistance:RESolution {<resolution> |MIN|MAX} [ , (@<ch_list> ) ]  
CURRENT:DC:RESolution {<resolution> |MIN|MAX} [ , (@<ch_list> ) ]
```

Select the resolution for the function selected on the specified channels. Specify the resolution in the same units as the measurement function, *not in number of digits*. MIN selects the smallest value accepted for this parameter, which gives the most resolution. MAX selects the largest value accepted for this parameter, which gives the least resolution.

For more information on the relationship between integration time, measurement resolution, number of digits, and number of bits, see the table on page 203.

```
[SENSe:]  
VOLTage:DC:RESolution? [ { (@<ch_list> ) |MIN|MAX } ]  
RESistance:RESolution? [ { (@<ch_list> ) |MIN|MAX } ]  
FRESistance:RESolution? [ { (@<ch_list> ) |MIN|MAX } ]  
CURRENT:DC:RESolution? [ { (@<ch_list> ) |MIN|MAX } ]
```

Query the resolution setting on the specified channels. Returns a number in the form “+3.00000000E-05”.

```
[SENSE:]  
VOLTage:DC:APERTure {<time>|MIN|MAX} [, (@<ch_list>)]  
RESistance:APERTure {<time>|MIN|MAX} [, (@<ch_list>)]  
FRESistance:APERTure {<time>|MIN|MAX} [, (@<ch_list>)]  
CURRent:DC:APERTure {<time>|MIN|MAX} [, (@<ch_list>)]
```

Select the aperture time for the function selected on the specified channels. MIN selects the smallest value accepted for this parameter, which gives the lowest resolution. MAX selects the largest value accepted for this parameter, which gives the highest resolution.

For more information on aperture time, refer to “Custom A/D Integration Time” in chapter 4 starting on page 103.

```
[SENSE:]  
VOLTage:DC:APERTure? [ { (@<ch_list>) | MIN | MAX } ]  
RESistance:APERTure? [ { (@<ch_list>) | MIN | MAX } ]  
FRESistance:APERTure? [ { (@<ch_list>) | MIN | MAX } ]  
CURRent:DC:APERTure? [ { (@<ch_list>) | MIN | MAX } ]
```

Query the aperture time setting on the specified channels. Returns a number in the form “+1.66666700E-02”.

```
[SENSE:]  
FREQuency:APERTure {0.01|0.1|1|MIN|MAX} [, (@<ch_list>)]  
PERiod:APERTure {0.01|0.1|1|MIN|MAX} [, (@<ch_list>)]
```

Select the aperture time (or gate time) for frequency or period measurements on the specified channels. Specify 10 ms (4½ digits), **100 ms** (default; 5½ digits), or 1 second (6½ digits). MIN = 0.01 seconds. MAX = 1 second.

```
[SENSE:]  
FREQuency:APERTure? [ { (@<ch_list>) | MIN | MAX } ]  
PERiod:APERTure? [ { (@<ch_list>) | MIN | MAX } ]
```

Query the aperture time for frequency or period measurements on the specified channels. Returns a number in the form “+1.00000000E-01”.

```
[SENSe:]  
  TEMPerature  
    :NPLC {0.02|0.2|1|2|10|20|100|200|MIN|MAX} [, (@<ch_list>)]  
  VOLTage:DC  
    :NPLC {0.02|0.2|1|2|10|20|100|200|MIN|MAX} [, (@<ch_list>)]  
  RESistance  
    :NPLC {0.02|0.2|1|2|10|20|100|200|MIN|MAX} [, (@<ch_list>)]  
  FRESistance  
    :NPLC {0.02|0.2|1|2|10|20|100|200|MIN|MAX} [, (@<ch_list>)]  
  CURRent:DC  
    :NPLC {0.02|0.2|1|2|10|20|100|200|MIN|MAX} [, (@<ch_list>)]
```

Set the integration time in number of power line cycles (PLCs) on the specified channels. The default is 1 PLC. MIN = 0.02. MAX = 200.

For more information on the relationship between integration time, measurement resolution, number of digits, and number of bits, see the table on page 203. For more information on integration time, refer to “Custom A/D Integration Time” in chapter 4 starting on page 103.

```
[SENSe:]  
  TEMPerature:NPLC? [ { (@<ch_list>) | [MIN|MAX] } ]  
  VOLTage:DC:NPLC? [ { (@<ch_list>) | [MIN|MAX] } ]  
  RESistance:NPLC? [ { (@<ch_list>) | [MIN|MAX] } ]  
  FRESistance:NPLC? [ { (@<ch_list>) | [MIN|MAX] } ]  
  CURRent:DC:NPLC? [ { (@<ch_list>) | [MIN|MAX] } ]
```

Query the integration time on the specified channels. Returns a number in the form “+1.00000000E+00”.

Temperature Configuration Commands

See also “Temperature Measurement Configuration” in chapter 4 starting on page 106.

General Temperature Commands

UNIT

```
:TEMPerature {C|F|K} [ , (@<ch_list> ) ]  
:TEMPerature? [ (@<ch_list> ) ]
```

Select the temperature measurement units on the specified channels. The default is “C”. The :TEMP? query returns the temperature measurement units currently selected. Returns “C”, “F”, or “K”.

[SENSE:]TEMPerature:TRANsducer

```
:TYPE {TCouple|RTD|FRTD|THERmistor|DEF} [ , (@<ch_list> ) ]  
:TYPE? [ (@<ch_list> ) ]
```

Select the type of temperature transducer to use for measurements on the specified channels. Select from TC (thermocouple), RTD (2-wire RTD), FRTD (4-wire RTD), or THER (thermistor). The default is TC. The :TYPE? query returns the current temperature transducer type on the specified channels. Returns “TC”, “RTD”, “FRTD”, or “THER”.

[SENSE:]TEMPerature

```
:NPLC {0.02|0.2|1|2|10|20|100|200|MIN|MAX} [ , (@<ch_list> ) ]
```

Set the integration time in number of power line cycles (PLCs) on the specified channels. The default is 1 PLC. MIN = 0.02. MAX = 200.

For more information on the relationship between integration time, measurement resolution, number of digits, and number of bits, see the table on page 203. For more information on time, refer to “Custom A/D Integration Time” in chapter 4 starting on page 103.

Thermocouple Commands

```
[SENSe:]TEMPERature:TRANsducer
  :TCouple:TYPE {B|E|J|K|N|R|S|T}[, (@<ch_list>)]
  :TCouple:TYPE? [ (@<ch_list>)]
```

Select the thermocouple type to use on the specified channels. The default is a J-Type thermocouple. The :TYPE? query returns the thermocouple type currently in use. Returns “B”, “E”, “J”, “K”, “N”, “R”, “S”, or “T”.

```
[SENSe:]TEMPERature:TRANsducer:TCouple
  :RJUNction:TYPE {INTernal|EXTernal|FIXed}[, (@<ch_list>)]
  :RJUNction:TYPE? [ (@<ch_list>)]
```

Thermocouple measurements require a reference junction temperature. For the reference junction temperature, you can use an internal measurement on the module, an external thermistor or RTD measurement, or a known fixed junction temperature. The default is “INTernal”. The :TYPE? query returns the source currently selected. Returns “INT”, “EXT”, or “FIX”.

- If you select an external reference, the instrument automatically reserves channel 01 on the multiplexer in the *lowest* slot as the reference channel (thermistor or RTD measurement). If you have more than one multiplexer installed, channel 01 on the module in the lowest slot is used as the reference for the entire instrument.
- Before configuring a thermocouple channel with an external reference, you must configure the reference channel (channel 01) for a thermistor or RTD measurement. An error is generated if you attempt to select the external reference source before configuring the reference channel. An error is also generated if you change the function on the reference channel after selecting the external reference for a thermocouple channel.

```
[SENSe:]TEMPerature:TRANsducer
:TCouple:CHECK {OFF|ON} [, (@<ch_list>)]
:TCouple:CHECK? [ (@<ch_list>)]
```

Disable or enable the *thermocouple check* feature to verify that your thermocouples are properly connected to the screw terminals for measurements. If you enable this feature, the instrument measures the channel resistance after each thermocouple measurement to ensure a proper connection. If an open connection is detected (greater than 5 k Ω on the 10 k Ω range), the instrument reports an overload condition for that channel. The default is "OFF". The :CHECK? query returns the thermocouple check setting. Returns "0" (OFF) or "1" (ON).

```
[SENSe:]TEMPerature:TRANsducer:TCouple
:RJUNction {<temperature>|MIN|MAX} [, (@<ch_list>)]
:RJUNction? [ (@<ch_list>)]
```

Set the fixed reference junction temperature for thermocouple measurements on the specified channels. Specify a temperature between -20 °C and +80 °C (always specify the temperature in °C regardless of the temperature units selected). The default is 0 °C. The :RJUN? query returns the fixed junction temperature (in °C) currently selected. MIN selects -20 °C. MAX selects +80 °C.

```
[SENSe:]TEMPerature:RJUNction? [ (@<ch_list>)]
```

Query the internal reference junction temperature on the specified channels (useful only for an internal reference source). Returns the reference temperature in °C regardless of the temperature units currently selected. Returns a number in the form "+2.89753100E+01".

RTD Commands

```
[SENSe:]TEMPerature:TRANsducer
:RTD:TYPE {85|91} [, (@<ch_list>)]
:RTD:TYPE? [ (@<ch_list>)]
:FRTD:TYPE {85|91} [, (@<ch_list>)]
:FRTD:TYPE? [ (@<ch_list>)]
```

Select the RTD type for 2-wire or 4-wire measurements on the specified channels. Use “85” to specify $\alpha = 0.00385$ (ITS-90 software conversions) or “91” to specify $\alpha = 0.00391$ (IPTS-68 software conversions).

The default is “85”. The :TYPE? query returns the RTD type in use on the specified channels. Returns “+85” or “+91”.

```
[SENSe:]TEMPerature:TRANsducer
:RTD:RESistance[:REFerence] <reference> [, (@<ch_list>)]
:RTD:RESistance[:REFerence]? [ (@<ch_list>)]
:FRTD:RESistance[:REFerence] <reference> [, (@<ch_list>)]
:FRTD:RESistance[:REFerence]? [ (@<ch_list>)]
```

Set the nominal resistance (R_0) for RTD measurements on the specified channels. Select a value between 49 Ω and 2.1 k Ω . The default is 100 Ω .

The :REF? query returns the nominal resistance (R_0) in use on the specified channels. Returns a number in the form “+1.00000000E+02”.

Thermistor Commands

```
[SENSe:]TEMPerature:TRANsducer
:THERmistor:TYPE {2252|5000|10000} [, (@<ch_list>)]
:THERmistor:TYPE? [ (@<ch_list>)]
```

Select the thermistor type for measurements on the specified channels.

The default is a 5 k Ω thermistor. The :TYPE? query returns the thermistor type in use on the specified channels. Returns “2252”, “5000”, or “10000”.

Voltage Configuration Commands

See also “Voltage Measurement Configuration” in chapter 4 starting on page 113.

INPut

```
:IMPedance:AUTO {OFF|ON} [, (@<ch_list>)]  
:IMPedance:AUTO? [ (@<ch_list>)]
```

Disable or enable the automatic input resistance mode for dc voltage measurements on the specified channels. With AUTO OFF (default), the input resistance is fixed at 10 M Ω for all ranges. With AUTO ON, the input resistance is set to >10 G Ω for the 100 mV, 1 V, and 10 V ranges. The :AUTO? query returns the input resistance setting on the specified channels. Returns “0” (OFF) or “1” (ON).

[SENSE:]

```
VOLTage:AC:BANDwidth {3|20|200|MIN|MAX} [, (@<ch_list>)]  
VOLTage:AC:BANDwidth? [ { (@<ch_list>) | MIN | MAX } ]
```

Specify the lowest frequency expected in the input signal for ac voltage measurements on the specified channels. The instrument selects the slow, medium (default), or fast ac filter based on the frequency you specify. MIN = 3 Hz. MAX = 200 Hz. The :BAND? query returns the ac filter setting on the specified channels. Returns “3”, “20”, or “200”.

[SENSE:]

```
ZERO:AUTO {OFF|ONCE|ON} [, (@<ch_list>)]  
ZERO:AUTO? [ { (@<ch_list>) } ]
```

Disable or enable (default) the autozero mode. The OFF and ONCE parameters have a similar effect. Autozero OFF does not issue a new zero measurement until the next time the instrument goes to the “wait-for-trigger” state. Autozero ONCE issues an immediate zero measurement. The :AUTO? query the autozero mode. Returns “0” (OFF or ONCE) or “1” (ON).

Resistance Configuration Commands

See also “Resistance Measurement Configuration” in chapter 4 starting on page 115.

```
[SENSe:]  
RESistance:OCOMpensated {OFF|ON} [, (@<ch_list>)]  
RESistance:OCOMpensated? [ (@<ch_list>)]  
FRESistance:OCOMpensated {OFF|ON} [, (@<ch_list>)]  
FRESistance:OCOMpensated? [ (@<ch_list>)]
```

Disable or enable offset-compensation for resistance measurements. Once enabled, offset compensation is applied to both 2-wire and 4-wire resistance measurements. The default is “OFF”. The :OCOM? query returns the offset compensation setting on the specified channels. Returns “0” (OFF) or “1” (ON).

Current Configuration Commands

See also “Current Measurement Configuration” in chapter 4 starting on page 116.

Note: Current measurements are allowed only on channels 21 and 22 on the 34901A multiplexer module.

```
[SENSe:]  
CURRent:AC:BANDwidth {3|20|200|MIN|MAX} [, (@<ch_list>)]  
CURRent:AC:BANDwidth? [ { (@<ch_list>) |MIN|MAX} ]
```

Specify the lowest frequency expected in the input signal for ac current measurements on the specified channels. The instrument selects the slow, medium (default), or fast ac filter based on the frequency you specify. MIN = 3 Hz. MAX = 200 Hz. The :BAND? query returns the ac filter setting on the specified channels. Returns “3”, “20”, or “200”.

Frequency Configuration Commands

See also "Frequency Measurement Configuration" in chapter 4 starting on page 118.

[SENSE:]

FREQUENCY:RANGE:LOWer {3|20|200|MIN|MAX} [, (@<ch_list>)]

FREQUENCY:RANGE:LOWer? [{ (@<ch_list>) | MIN | MAX }]

Specify the lowest frequency expected in the input signal for frequency measurements on the specified channels. The instrument selects a slow, medium (default), or fast measurement timeout based on the frequency you specify. MIN = 3 Hz. MAX = 200 Hz. The :LOW? query returns the timeout setting on the specified channels. Returns "3", "20", or "200".

Scanning Overview

See also “Scanning” in chapter 4 starting on page 74.

The instrument allows you to combine a DMM (either internal or external) with multiplexer channels to create a *scan*. During a scan, the instrument connects the DMM to the configured multiplexer channels one at a time and makes a measurement on each channel.

Any channel that can be “read” by the instrument can also be included in a scan. This includes any combination of temperature, voltage, resistance, current, frequency, or period measurements on multiplexer channels. A scan can also include a read of a digital port or a read of the totalizer count on the multifunction module.

Rules for Scanning


- Before you can initiate a scan, you must set up a *scan list* to include all desired multiplexer or digital channels. Channels which are not in the scan list are skipped during the scan. The instrument automatically scans the list of channels in ascending order from slot 100 through slot 300. Measurements are taken only during a scan and only on those channels which are included in the scan list. The “✖” (sample) annunciator turns on during each measurement.
- You can store up to 50,000 readings in non-volatile memory during a scan. Readings are stored only during a scan and all readings are automatically time stamped. If memory overflows (the **MEM** annunciator will turn on), a status register bit is set and new readings will overwrite the first readings stored (the most recent readings are always preserved). You can read the contents of memory at any time, even during a scan. Reading memory *is not* cleared when you read it.
- Each time you start a new scan, the instrument clears all readings (including alarm data) stored in reading memory from the previous scan. Therefore, the contents of memory are always from the most recent scan.
- If you abort a scan that is running, the instrument will complete the one measurement in progress (the entire scan will not be completed) and the scan will stop. You cannot resume the scan from where it left off. If you initiate a new scan, all readings are cleared from memory.

Scanning Overview

- You can use either the internal DMM or an external DMM to make measurements of your configured channels. However, the instrument allows only one scan list at a time; you cannot scan some channels using the internal DMM and others using an external DMM. Readings are stored in 34970A memory *only* when the internal DMM is used.
- If the internal DMM is installed and enabled, the instrument will automatically use it for scanning. For externally-controlled scans, you must either remove the internal DMM from the 34970A or disable it (see “Internal DMM Disable” on page 145).

Scan Interval

You can configure the event or action that controls the onset of each sweep through the scan list (a *sweep* is one pass through the scan list):

- You can set the instrument’s internal timer to automatically scan at a specific interval. You can also program a time delay between channels in the scan list.
- You can manually control a scan by repeatedly pressing  from the front panel.
- You can start a scan by sending a software command from the remote interface (MEASure? or INITiate command).
- You can start a scan when an external TTL trigger pulse is received.
- You can start a scan when an alarm event is logged on the channel being monitored.

Scanning Commands

ROUTe

:SCAN (@<scan_list>)
:SCAN?

Select the channels to be included in the scan list. To start the scan, use the INITiate or READ? command. To remove all channels from the scan list, send ROUT:SCAN (@).

The :SCAN? query returns a list of channel numbers in the SCPI *definite length block* format. The response begins with the “#” character, followed by a single character representing the number of succeeding characters to interpret as a length specifier, followed by a length specifier representing the number of bytes in the block, followed by a block of that many bytes. An empty scan list (one with no channels selected) will be “#13 (@)”.

For example, if you send ROUT:SCAN (@101:103), the ROUT:SCAN? command will return the following:

```
#214(@101,102,103)
```

ROUTE:SCAN:SIZE?

Query the number of channels in the scan list. Returns a value between 0 and 120 channels.

TRIGger

:SOURCE {BUS | IMMEDIATE | EXTERNAL | ALARM{1 | 2 | 3 | 4} | TIMER}
:SOURCE?

Select the trigger source to control the onset of each sweep through the scan list (a *sweep* is one pass through the scan list). The selected source is used for all channels in the scan list. The instrument will accept a software (bus) command, an immediate (continuous) scan trigger, an external TTL trigger pulse, an alarm-initiated action, or an internally-paced timer. The default is “IMMEDIATE”. The :SOUR? query returns the present scan trigger source. Returns “BUS”, “IMM”, “EXT”, “ALAR1”, “ALAR2”, “ALAR3”, “ALAR4”, or “TIM”.

TRIGger

```
:TIMer { <seconds> | MIN | MAX }  
:TIMer?
```

Set the scan-to-scan interval (in seconds) for measurements on the channels in the scan list. This command defines the time from the start of one scan sweep to the start of the next sweep. You can set the interval to any value between 0 seconds and 359,999 seconds (99:59:59 hours), with 1 ms resolution. MIN = 0 seconds. MAX = 359,999 seconds. The **:TIM?** query returns the scan-to-scan interval in seconds in the form "+1.00000000E+01".

TRIGger

```
:COUNT { <count> | MIN | MAX | INFINITY }  
:COUNT?
```

Select the number of times that the instrument will sweep through the scan list (a *sweep* is one pass through the scan list). When the specified number of sweeps have occurred, the scan stops. Select a scan count between 1 to 50,000 sweeps, or continuous (**INFINITY**). MIN = 1 sweep. MAX = 50,000 sweeps.

The **:COUN?** query returns the scan count in the form "+1.00000000E+01". If you specified a continuous scan count, the query command returns "9.90000200E+37".

ROUTE

```
:CHANNEL:DElay <seconds> [ , ( @<ch_list> ) ]  
:CHANNEL:DElay? [ ( @<ch_list> ) ]
```

Add a delay between multiplexer channels in the scan list (useful for high-impedance or high-capacitance circuits). The delay is inserted between the relay closure and the actual measurement on the channel. The programmed channel delay overrides the default channel delay that the instrument automatically adds to each channel.

You can set the channel delay to any value between 0 seconds and 60 seconds, with 1 ms resolution. You can select a different delay for each channel. The default channel delay is automatic; the instrument determines the delay based on function, range, integration time, and ac filter setting (see "*Automatic Channel Delays*" on page 89). The **:DEL?** query reads the channel delay setting in seconds and returns a value in the form "+1.00000000E+00".

ROUTE

```
:CHANnel:DElay:AUTO {OFF|ON} [, (@<ch_list>)]  
:CHANnel:DElay:AUTO? [ (@<ch_list>)]
```

Disable or enable an automatic channel delay on the specified channels. If enabled, the delay is determined by the function, range, integration time, and ac filter setting (see “Automatic Channel Delays,” on page 89). Selecting a specific channel delay (using the ROUT:CHAN:DElay command) disables the automatic channel delay. The :AUTO? query returns the automatic channel delay setting. Returns “0” (OFF) or “1” (ON).

ABORT

Abort a scan in progress.

INITiate

Change the state of the triggering system from the “idle” state to the “wait-for-trigger” state. Scanning will begin when the specified trigger conditions are satisfied following the receipt of the INITiate command. The readings are placed in the instrument’s internal reading memory (up to 50,000 readings can be stored; if memory fills, new readings will overwrite the first readings stored). Readings *are stored* in memory until you are able to retrieve them. Use the FETCH? command to retrieve reading results.

READ?

Change the state of the triggering system from the “idle” state to the “wait-for-trigger” state. Scanning will begin when the specified trigger conditions are satisfied following the receipt of the READ? command. Readings are then sent *immediately* to the instrument’s output buffer. You *must* then enter the readings into your computer or the instrument will stop scanning when the output buffer becomes full. Readings *are not* stored in the instrument’s internal memory when using READ?.

***TRG**

Trigger the instrument from the remote interface.

FORMat

```
:READing:TIME {OFF | ON}  
:READing:TIME?
```

Disable (default) or enable the inclusion of a time stamp with data produced by READ?, FETCh?, or other queries of scan results.

This command operates in conjunction with the other FORMat:READing commands (they are not mutually exclusive). Use the FORMat:READ:TIME:TYPE command (see below) to select absolute time (time of day with date) or relative time (time since start of scan). The :TIME? query reads whether or not the time is included. Returns “0” (OFF) or “1” (ON).

FORMat

```
:READing:UNIT {OFF | ON}  
:READing:UNIT?
```

Disable (default) or enable the inclusion of measurement units with data produced by READ?, FETCh?, or other queries of scan results.

This command operates in conjunction with the other FORMat:READing commands (they are not mutually exclusive). The :UNIT? query reads whether or not the units are included. Returns “0” (OFF) or “1” (ON).

FORMat

```
:READing:TIME:TYPE {ABSolute | RELative}  
:READing:TIME:TYPE?
```

Select the time format for storing scanned data in memory. You can select absolute time (time of day with date) or relative time (time since start of scan). The default is relative time. This command operates in conjunction with the FORMat:READing:TIME command (they are not mutually exclusive). The :TYPE? query returns “ABS” or “REL”.

Note: *The absolute format is considerably slower than the relative format.*

Scan Statistics Commands

While a scan is running, the instrument automatically stores the minimum and maximum readings and calculates the average for each channel. You can read these values at any time, even during a scan. The instrument clears the values when a new scan is started, when the `CALC: AVER: CLEAR` command (described on the next page) is executed, after a Factory Reset (`*RST` command), or after an Instrument Preset (`SYSTEM: PRESet` command).

CALCulate: AVERage: MINimum? [(@ < ch_list >)]

Read the minimum value found on each of the specified channels during the scan. Each channel must be a multiplexer channel that has been configured to be part of the scan list. If no data is available for the specified channels, "0" is returned. Returns a number in the form "+2.61920000E+01".

CALCulate: AVERage: MINimum: TIME? [(@ < ch_list >)]

Read the time the minimum reading was taken on the specified channel during the scan (in full time and date format). This command is not affected by the `FORMat: READ: TIME: TYPE` command. Returns the time in the form "2002,06,02,18,30,00.000" (June 2, 2002 at 6:30 PM).

CALCulate: AVERage: MAXimum? [(@ < ch_list >)]

Read the maximum value found on each of the specified channels during the scan. Each channel must be a multiplexer channel that has been configured to be part of the scan list. If no data is available for the specified channels, "0" is returned. Returns a number in the form "+2.61920000E+01".

CALCulate: AVERage: MAXimum: TIME? [(@ < ch_list >)]

Read the time the minimum reading was taken on the specified channel during the scan (in full time and date format). The command is not affected by the `FORMat: READ: TIME: TYPE` command. Returns the time in the form "2002,06,02,18,30,00.000" (June 2, 2002 at 6:30 PM).

CALCulate:AVERage:AVERage? [(@<*ch_list*>)]

Calculate the mathematical average of all readings taken on each of the specified channels since the start of the scan. Each channel must be a multiplexer channel that has been configured to be part of the scan list. If no data is available for the specified channels, "0" is returned. Returns a number in the form "+2.61920000E+01".

CALCulate:AVERage:PTPeak? [(@<*ch_list*>)]

Calculate the peak-to-peak value of all readings taken on each of the specified channel since the start of the scan (the difference between the maximum and minimum reading). Each channel must be a multiplexer channel that has been configured to be part of the scan list. If no data is available for the specified channels, "0" is returned. Returns a number in the form "+0.00000000E+00".

CALCulate:AVERage:COUNT? [(@<*ch_list*>)]

Count the number of readings taken on each of the specified channels since the start of the scan. Each channel must be a multiplexer channel that has been configured to be part of the scan list. Returns a number in the form "+5.00000000E+00".

CALCulate:AVERage:CLEar [(@<*ch_list*>)]

Clear all values from the statistics registers for the specified channels. Each channel must be a multiplexer channel that have been configured to be part of the scan list. The minimum, maximum, average, count, and peak-to-peak value are cleared. The values for all scanned channels are also cleared at the start of a new scan.

DATA:LAST? [<*num_rdgs*> ,] [(@<*channel*>)]

Query the last reading taken on the specified channel (one channel only) during the scan. Use the optional *num_rdgs* parameter to specify the number of readings that you want to retrieve for the specified channel (oldest data first). If you do not specify a value for *num_rdgs*, only the most recent reading on the specified channel is returned. If you specify more readings than are currently stored in memory, an error is generated.

SYSTem:TIME:SCAN?

Read the time at the start of the scan. This command is not affected by the `FORMat:READ:TIME:TYPE` command. Returns the time in the form "2002,06,02,18,30,00.000" (June 2, 2002 at 6:30 PM).

FETCh?

Transfer readings stored in non-volatile memory to the instrument's output buffer where you can read them into your computer. The readings *are not* erased from memory when you read them using `FETCh?`. The output from this command is affected by the `FORMat:READing` commands (see "Reading Format Commands" on page 231).

R? [<*max_count*>]

Read and erase all readings from reading memory up to *max_count*. The readings are erased from memory starting with the oldest reading. This is a special version of the `DATA:REMOve?` command with faster execution time. If you omit the optional *max_count* parameter, the command will read and erase up to 50,000 readings from memory. The output from this command is affected by the `FORMat:READing` commands (see "Reading Format Commands" on page 231).

This command returns a series of readings in SCPI *definite length block* format. The response begins with the "#" character, followed by a single character representing the number of succeeding characters to interpret as a length specifier, followed by a length specifier representing the number of bytes in the block, followed by a block of that many bytes.

For example, the `R?` command will return a string similar to the following (two readings are shown):

```
#231+2.61400000E+01,+2.62400000E+01
```

Single-Channel Monitoring Overview

In the Monitor function, the instrument takes readings as often as it can on a single channel, even during a scan. This feature is useful for troubleshooting your system before a test or for watching an important signal.

Any channel that can be “read” by the instrument can be monitored. This includes any combination of temperature, voltage, resistance, current, frequency, or period measurements on multiplexer channels. You can also monitor a digital input port or the totalizer count on the multifunction module. Monitoring *is not* allowed with the actuator module, the matrix module, or the RF multiplexer modules.

- The Monitor function is equivalent to making continuous measurements on a single channel with an infinite scan count. Only one channel can be monitored at a time but you can change the channel being monitored at any time.
- Readings acquired during a Monitor *are not* stored in memory but they are displayed on the front panel (however, all readings from a scan in progress at the same time are stored in memory).
- A scan in progress always has priority over the Monitor function. The instrument will take *at least* one monitor reading per scan sweep and will take more as time permits.
- You can monitor a multiplexer channel only if the internal DMM is installed and enabled (*see “Internal DMM Disable” on page 145*). The channel must also be configured to be part of the scan list.
- You can monitor a digital input channel or totalizer channel even if the channel is not part of the scan list (the internal DMM is not required either). The count on a totalizer channel *is not* reset when it is being monitored (the Monitor ignores the totalizer reset mode).

ROUTE

```
:MONitor (@<channel>)  
:MONitor?
```

Select the channel to be monitored. To turn on the monitor function, use the `ROUT:MON:STATE ON` command (see below). The `:SCAN?` query returns a list of channel numbers in the SCPI *definite length block* format. The response begins with the “#” character, followed by a single character representing the number of succeeding characters to interpret as a length specifier, followed by a length specifier representing the number of bytes in the block, followed by a block of that many bytes. An empty channel list (one with no channels selected) will be “#13(@)”.

For example, the `ROUT:MON?` command will return the following if channel 103 is the channel currently being monitored:

```
#16(@103)
```

ROUTE

```
:MONitor:STATE {OFF|ON}  
:MONitor:STATE?
```

Disable (default) or enable the Monitor function. If you do not specify the monitor channel using the `ROUT:MON` command (see above), the channel displayed on the front panel is used. The `:STAT?` query reads the state of the monitor function. Returns “0” (OFF) or “1” (ON).

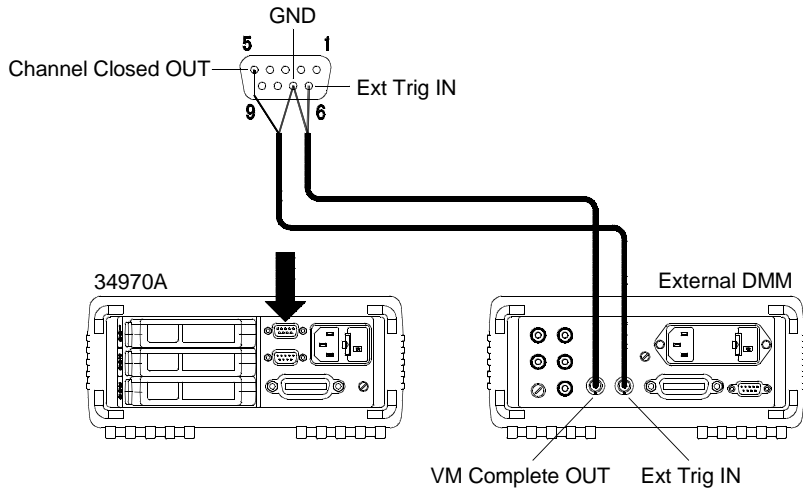
ROUTE:MONitor:DATA?

Read the data from the Monitor function. Returns the reading only; the units, time, channel, and alarm information *is not* returned (the `FORMat:READing` commands *do not* apply to monitor readings). Returns a number in the form “+2.6192000E+01”.

Scanning With an External Instrument

If your application doesn't require the built-in measurement capabilities of the 34970A, you can order it without the internal DMM. In this configuration, you can use the system for signal routing or control applications. If you install a multiplexer plug-in module, you can use the system for scanning with an external instrument.

To control scanning with an external instrument, two control lines are provided. When the 34970A and the external instrument are properly configured, you can synchronize a scan sequence between the two.



ROUTe

:SCAN (@<*scan_list*>)
:SCAN?

Select the channels to be included in the scan list. To start the scan, use the **INITiate** or **READ?** command. To remove all channels from the scan list, send **ROUT:SCAN (@)**.

The **:SCAN?** query returns a list of channel numbers in the SCPI *definite length block* format. The response begins with the “#” character, followed by a single character representing the number of succeeding characters to interpret as a length specifier, followed by a length specifier representing the number of bytes in the block, followed by a block of that many bytes. An empty scan list (one with no channels selected) will be “#13 (@)”.

For example, if you send **ROUT:SCAN (@101:103)**, the **ROUT:SCAN?** command will return the following:

```
#214(@101,102,103)
```

ROUTE:SCAN:SIZE?

Query the number of channels in the scan list. Returns a value between 0 and 120 channels.

TRIGger

:SOURCE {**BUS** | **IMMEDIATE** | **EXTERNAL** | **TIMER**}
:SOURCE?

Select the trigger source to control the onset of each sweep through the scan list (a *sweep* is one pass through the scan list). The selected source is used for all channels in the scan list. The instrument will accept a software (bus) command, an immediate (continuous) scan trigger, an external TTL trigger pulse, or an internally-paced timer. The default is “TIMER”. The **:SOURCE?** query returns the present scan trigger source. Returns “BUS”, “IMM”, “EXT”, or “TIM”.

TRIGger

```
:TIMer { <seconds> | MIN | MAX }  
:TIMer?
```

Set the scan-to-scan interval (in seconds) for measurements on the channels in the scan list. This command defines the time from the start of one scan sweep to the start of the next sweep. You can set the interval to any value between 0 seconds and 359,999 seconds (99:59:59 hours), with 1 ms resolution. MIN = 0 seconds. MAX = 359,999 seconds. The **:TIM?** query returns the scan-to-scan interval in seconds in the form "+1.00000000E+01".

TRIGger

```
:COUNT { <value> | MIN | MAX | INFinity }  
:COUNT?
```

Select the number of times that the instrument will sweep through the scan list (a *sweep* is one pass through the scan list). When the specified number of sweeps have occurred, the scan stops. Select a scan count between 1 to 50,000 sweeps, or continuous (**INFinity**). MIN = 1 sweep. MAX = 50,000 sweeps.

The **:COUN?** query returns the scan count in the form "+1.00000000E+01". If you specified a continuous scan count, the query command returns "9.90000200E+37".

ROUTE

```
:CHANNEL:DElay <seconds> [ , ( @<ch_list> ) ]  
:CHANNEL:DElay? [ ( @<ch_list> ) ]
```

Add a delay between multiplexer channels in the scan list (useful for high-impedance or high-capacitance circuits). The delay is inserted between the relay closure and the actual measurement on the channel. You can set the channel delay to any value between 0 seconds and 60 seconds, with 1 ms resolution. You can select a different delay for each channel. The **:DEL?** query reads the channel delay setting in seconds and returns a value in the form "+1.00000000E+00".

ROUTE

```
:CHANnel:ADVance:SOURce {EXTernal|BUS|IMMediate}  
:CHANnel:ADVance:SOURce?
```

This command is valid only when the internal DMM is disabled or removed from the 34970A.

Select the source to provide the channel advance signal to the next channel in the scan list. When the channel advance signal is received, the instrument opens the currently selected channel and closes the next channel in the scan list. The instrument will accept a software (bus) command, an immediate (continuous) scan trigger, an external TTL trigger pulse, or an internally-paced timer. The default is “EXTernal”. The :SOUR? query returns “EXT”, “BUS”, or “IMM”.

The channel advance signal is ignored unless you have initiated the scan (INITiate command) and have received a scan trigger (TRIG:SOUR command). Although the ROUT:CHAN:ADV:SOUR command shares some of the same signals as the TRIG:SOUR command, they cannot be set to the same source (except IMMEDIATE). If you attempt to select the same source, an error is generated and the TRIG:SOUR is reset to IMMEDIATE.

A channel advance signal is not required for digital input or totalizer channels included in the scan list. Measurements on these channels are still performed by the 34970A and do not require synchronization with the external instrument.

ROUTe

```
:CHANnel:FWIRe {OFF|ON} [ , (@<ch_list> ) ]  
:CHANnel:FWIRe? [ (@<ch_list> ) ]
```

This command is valid only when the internal DMM is disabled or removed from the 34970A.

Configure the list of channels for 4-wire external scanning without the internal DMM. When enabled, the instrument automatically pairs channel n with channel $n+10$ (34901A) or $n+8$ (34902A) to provide the source and sense connections. For example, make the *source* connections to the HI and LO terminals on channel 2 and the *sense* connections to the HI and LO terminals on channel 12. Specify the paired channel in the lower bank (source) as the *scan_list* channel.

Note that the `ROUT:CLOSe`, `ROUT:CLOSe:EXCL`, and `ROUT:OPEN` commands ignore the current `ROUT:CHAN:FWIRe` setting (if no channels are in the scan list).

The `:FWIR?` query returns a “0” (4-wire pairing disabled) or “1” (4-wire pairing enabled) for each channel in the scan list.

INSTRument

```
:DMM {OFF|ON}  
:DMM?
```

Disable or enable the internal DMM. When you change the state of the internal DMM, the instrument issues a Factory Reset (`*RST` command). The `:DMM?` query returns the state of the internal DMM. Returns “0” (disabled) or “1” (enabled).

INSTRument:DMM:INSTalled?

Query the instrument to determine if the internal DMM is installed. Returns “0” (not installed) or “1” (installed).

Mx+B Scaling Overview

See also “Mx+B Scaling” in chapter 4 starting on page 119.

The scaling function allows you to apply a *gain* and *offset* to all readings on a specified multiplexer channel during a scan. In addition to setting the gain (“M”) and offset (“B”) values, you can also specify a custom measurement label for your scaled readings (RPM, PSI, etc.). You can apply scaling to any multiplexer channels and for any measurement function. Scaling *is not* allowed with any of the digital channels on the multifunction module.

- Scaling is applied using the following equation:

$$\text{Scaled Reading} = (\text{Gain} \times \text{Measurement}) - \text{Offset}$$

- You must configure the channel (function, transducer type, etc.) before applying any scaling values. If you change the measurement configuration, scaling is turned off on that channel and the gain and offset values are reset (M=1 and B=0). Scaling is also turned off when you change the temperature probe type, temperature units, or disable the internal DMM.
- If you plan to use scaling on a channel which will also use alarms, *be sure to configure the scaling values first*. If you attempt to assign the alarm limits first, the instrument will turn off alarms and clear the limit values when you enable scaling on that channel. If you specify a custom measurement label with scaling, it is automatically used when alarms are logged on that channel.
- If you redefine the scan list, scaling is turned off on those channels but the gain and offset values *are not* cleared. If you decide to add a channel back to the scan list (without changing the function), the original gain and offset values are restored and scaling is turned back on. This makes it easy to temporarily remove a channel from the scan list without entering the scaling values again.
- A Factory Reset (*RST command) turns off scaling and clears the scaling values on all channels. An Instrument Preset (SYSTEM:PRESet command) or Card Reset (SYSTEM:CPON command) *does not* clear the scaling values and *does not* turn off scaling.

Mx+B Scaling Commands

CALCulate

```
:SCALE:GAIN <gain> [ , (@<ch_list> ) ]  
:SCALE:GAIN? [ (@<ch_list> ) ]
```

Set the gain (“M”) for scaled readings on the specified channels. The maximum gain allowed is $\pm 1E+15$. The default is M=1. The :GAIN? query returns the gain value on the specified channels.

CALCulate

```
:SCALE:OFFSet <offset> [ , (@<ch_list> ) ]  
:SCALE:OFFSet? [ (@<ch_list> ) ]
```

Set the offset (“B”) for scaled readings on the specified channels. The maximum offset allowed is $\pm 1E+15$. The default is B=0. The :OFFS? query returns the offset value on the specified channels.

CALCulate

```
:SCALE:UNIT <quoted_string> [ , (@<ch_list> ) ]  
:SCALE:UNIT? [ (@<ch_list> ) ]
```

Specify the custom label (e.g., RPM, PSI) for scaled measurements on the specified channels. You can specify a custom label with up to three characters. You can use letters (A-Z), numbers (0-9), an underscore (_), or the “#” character which displays a degree symbol ($^{\circ}$) on the front panel (displayed as a blank space in an output string from the remote interface). The first character must be a letter or the “#” character (the “#” character is allowed only as the leftmost character in the label). The remaining two characters can be letters, numbers, or an underscore.

The following command shows how to add a custom label.

```
CALC:SCALE:UNIT 'PSI', (@101)
```

Note: If you set the measurement label to $^{\circ}C$, $^{\circ}F$, or K , note that this has **no effect** on the temperature units set using the UNIT:TEMP command.

CALCulate:SCALE:OFFSet:NULL (@<ch_list>)

Make an immediate null measurement on the specified channels and store it as the offset (“B”) for subsequent measurements. This allows you to adjust for voltage or resistive offsets through your wiring to the point of the measurement.

CALCulate

:SCALE:STATe {OFF|ON} [, (@<ch_list>)]
:SCALE:STATe? [(@<ch_list>)]

Disable or enable scaling on the specified channels. The **:STATe** query returns the state of the scaling function on the specified channels. Returns “0” (OFF) or “1” (ON).

Alarm System Overview

See also “Alarm Limits” in chapter 4 starting on page 122.

The instrument has four alarms which you can configure to alert you when a reading exceeds specified limits on a channel during a scan. You can assign a high limit, a low limit, or both to any configured channel in the scan list. You can assign multiple channels to any of the four available alarms (numbered 1 through 4). For example, you can configure the instrument to generate an alarm on the Alarm 1 output when a limit is exceeded on any of channels 103, 205, or 320.

You can also assign alarms to channels on the multifunction module. For example, you can generate an alarm when a specific bit pattern or bit pattern change is detected on a digital input channel or when a specific count is reached on a totalizer channel. With the multifunction module, the channels *do not* have to be part of the scan list to generate an alarm. For complete details, see “Using Alarms With the Multifunction Module” on page 130.

Alarm data can be stored in one of two locations depending on whether a scan is running when the alarm occurs.

1. If an alarm event occurs on a channel as it is being scanned, then that channel's alarm status is stored in *reading memory* as the readings are taken. Each reading that is outside the specified alarm limits is logged in memory. You can store up to 50,000 readings in memory during a scan. You can read the contents of reading memory at any time, even during a scan. Reading memory *is not* cleared when you read it.
2. As alarm events are generated, they are also logged in an *alarm queue*, which is separate from reading memory. This is the *only* place where non-scanned alarms get logged (alarms during a monitor, alarms generated by the multifunction module, etc.). Up to 20 alarms can be logged in the alarm queue. If more than 20 alarm events are generated, they will be lost (only the first 20 alarms are saved). Even if the alarm queue is full, the alarm status is still stored in reading memory during a scan. The alarm queue is cleared by the *CLS (clear status) command, when power is cycled, and by reading all of the entries. A Factory Reset (*RST command) *does not* clear the alarm queue.

Alarm System Overview

- You can assign an alarm to any configured channel and multiple channels can be assigned to the same alarm number. However, you cannot assign alarms on a specific channel to more than one alarm number.
- When an alarm occurs, the instrument stores relevant information about the alarm in the queue. This includes the reading that caused the alarm, the time of day and date of the alarm, and the channel number on which the alarm occurred. The information stored in the alarm queue is always in absolute time format and is not affected by the `FORMat:READING:TIME:TYPE` command setting.
- You must configure the channel (function, transducer type, etc.) before setting any alarm limits. If you change the measurement configuration, alarms are turned off and the limit values are cleared. Alarms are also turned off when you change the temperature probe type, temperature units, or disable the internal DMM.
- If you plan to use alarms on a channel which will also use scaling, *be sure to configure the scaling values first*. If you attempt to assign the alarm limits first, the instrument will turn off alarms and clear the limit values when you enable scaling on that channel. If you specify a custom measurement label with scaling, it is automatically used when alarms are logged on that channel.
- If you redefine the scan list, alarms are no longer evaluated on those channels (during a scan) but the limit values *are not* cleared. If you decide to add a channel back to the scan list (without changing the function), the original limit values are restored and alarms are turned back on. This makes it easy to temporarily remove a channel from the scan list without entering the alarm values again.
- Each time you start a new scan, the instrument clears all readings (including alarm data) stored in reading memory from the previous scan. Therefore, the contents of reading memory are always from the most recent scan.
- Alarms are logged in the alarm queue only when a reading crosses a limit, not while it remains outside the limit and not when it returns to within limits.

Alarm System Overview

- Four TTL alarm outputs are available on the rear-panel *Alarms* connector. You can use these hardware outputs to trigger external alarm lights, sirens, or send a TTL pulse to your control system. You can also initiate a scan sweep (no external wiring required) when an alarm event is logged on a channel. *For complete details, refer to “Using the Alarm Output Lines” on page 128.*
- In addition to being stored in reading memory, alarms are also recorded in their own SCPI status system. You can configure the instrument to use the status system to generate a Service Request (SRQ) when alarms are generated. *See “The SCPI Status System,” starting on page 275 for more information.*
- The default values for the upper and lower alarm limits are “0”. The lower limit *must always* be less than or equal to the upper limit, even if you are using only one of the limits.

To ensure that an error is not generated when using only an upper or lower limit, execute the following command sequence (this example assumes that you are setting only a lower limit):

```
CALC:LIMIT:UPPER MAX, (@101);LOWER 9, (@101);LOWER:STATE ON
```

- A Factory Reset (*RST command) clears all alarm limits and turns off all alarms. An Instrument Preset (SYSTEM:PRESet command) or Card Reset (SYSTEM:CPON command) *does not* clear the alarm limits and *does not* turn off alarms.

Alarm Limit Commands

OUTPut

```
:ALARm[1|2|3|4]:SOURce (@<ch_list>)  
:ALARm[1|2|3|4]:SOURce?
```

Assign the alarm number to report any alarm conditions on the specified channels. If not assigned, all alarms on all channels are reported on Alarm 1 by default.

The `:SOUR?` query returns a list of channel numbers in the SCPI *definite length block* format. The response begins with the “#” character, followed by a single character representing the number of succeeding characters to interpret as a length specifier, followed by a length specifier representing the number of bytes in the block, followed by a block of that many bytes. An empty scan list (one with no channels selected) will be “#13(@)”.

For example, if you send `OUTP:ALARM1:SOUR (@101:103)`, the `OUTP:ALARM1:SOUR?` command will return the following:

```
#214(@101,102,103)
```

CALCulate

```
:LIMit:UPPer <value>[ ,(@<ch_list>)]  
:LIMit:UPPer? [(@<ch_list>)]
```

Set the upper limit for alarms on the specified channels. You can set the value to any number between -120% and +120% of the highest range, for the present function. The default upper limit is 1.0E+15. The lower limit *must always* be less than or equal to the upper limit. The `:UPP?` query returns the upper limit for alarms on the specified channels.

CALCulate

```
:LIMit:UPPer:STATe {OFF|ON}[ ,(@<ch_list>)]  
:LIMit:UPPer:STATe? [(@<ch_list>)]
```

Disable or enable the upper alarm limit on the specified channel. The `:STAT?` query returns the state of the upper alarm on the specified channels. Returns “0” (OFF) or “1” (ON).

Alarm Output Commands

Four TTL alarm outputs are available on the rear-panel *Alarms* connector. You can use these hardware outputs to trigger external alarm lights, sirens, or send a TTL pulse to your control system. Each alarm output line represents the logical “OR” of all channels assigned to that alarm number (an alarm on any of the associated channels will pulse the line).

OUTPut

```
:ALARm:MODE {LATCh | TRACk}  
:ALARm:MODE?
```

Select the configuration of the four alarm output lines (the configuration applies to all four alarm output lines). In the “LATCh” mode (default), the corresponding output line is latched true when the first alarm occurs and remains asserted until you clear it by initiating a new scan or cycling power. In the “TRACk” mode, the corresponding output line is asserted only when a reading crosses a limit and remains outside the limit. When a reading returns to within limits, the output line is automatically cleared. The `:MODE?` query returns the alarm output configuration. Returns “LATC” or “TRAC”.

OUTPut

```
:ALARm:SLOPe {NEGAtive | POSitive}  
:ALARm:SLOPe?
```

Select the slope of the pulse from the alarm outputs (the selected configuration is used for all four outputs). If you select NEG (default), 0V (TTL low) indicates an alarm. If you select POS, +5V (TTL high) indicates an alarm. The `:POL?` query returns the alarm output configuration. Returns “NEG” or “POS”. *Note that changing the slope of the output lines may cause the lines to change state.*

OUTPut

```
:ALARm{1 | 2 | 3 | 4}:CLEAr  
:ALARm:CLEAr:ALL
```

Clear the specified alarm output lines. Send `:CLEAR:ALL` to clear all four alarm output lines. You can manually clear the output lines at any time (even during a scan) and the alarm data in memory *is not* cleared (however, data is cleared when you initiate a new scan). The alarm outputs are also cleared when you initiate a new scan.

Digital I/O Alarm Commands

See also “Using Alarms With the Multifunction Module” in chapter 4 starting on page 130.

CALCulate

```
:COMPare:TYPE {EQUal|NEQual} [, (@<ch_list>)]  
:COMPare:TYPE? [ (@<ch_list>)]
```

Select the comparison mode for alarms on the specified DIO channels. Select EQUal to generate an alarm when the data read from the port is equal to CALC:COMP:DATA after being masked by CALC:COMP:MASK. Select NEQual (not equal) to generate an alarm when the data read from the port *is not* equal to CALC:COMP:DATA after being masked by CALC:COMP:MASK. The default is “NEQual”. The digital input channels are numbered “s01” (LSB) and “s02” (MSB), where *s* represents the slot.

The :TYPE? query returns the comparison mode setting on the specified DIO channels. Returns “EQU” or “NEQ”.

CALCulate

```
:COMPare:DATA <data> [, (@<ch_list>)]  
:COMPare:DATA? [ (@<ch_list>)]
```

Specify the digital pattern for comparisons on the specified DIO channels. You must specify the digital pattern as a decimal value between 0 and 255 (binary data is not accepted). The digital input channels are numbered “s01” (LSB) and “s02” (MSB), where *s* represents the slot number. The :DATA? query returns the comparison pattern as a decimal value.

CALCulate

```
:COMPare:MASK <mask> [ , ( @<ch_list> ) ]  
:COMPare:MASK? [ ( @<ch_list> ) ]
```

Specify the *mask pattern* for comparisons on the specified DIO channels. You must specify the *mask* parameter as a decimal value between 0 and 255 (binary data is not accepted). Specify 1's for active bits or 0's for "don't care" bits. The digital input channels are numbered "*s01*" (LSB) and "*s02*" (MSB), where *s* represents the slot number. The :MASK? query returns the mask pattern as a decimal value.

CALCulate

```
:COMPare:STATe {OFF|ON} [ , ( @<ch_list> ) ]  
:COMPare:STATe? [ ( @<ch_list> ) ]
```

Disable or enable the comparison mode on the specified DIO channels. Note that the specified channels *do not* have to be part of the scan list to generate an alarm. Alarms are evaluated continuously as soon as you enable them. Alarms are evaluated constantly on the multifunction module, but alarm data is stored in reading memory *only* during a scan. The :STAT? query returns the state of the comparison mode. Returns "0" (OFF) or "1" (ON).

Digital Input Commands

See also “Digital Input Operations” in chapter 4 starting on page 133.

MEASure:DIgital:BYTE? (@<scan_list>)

Configure the instrument to read the specified digital input channels on the multifunction module and immediately sweep through the scan list one time. *Note that this command also redefines the scan list.* The readings are sent directly to the instrument’s output buffer but the readings are *not* stored in reading memory. The digital input channels are numbered “s01” (LSB) and “s02” (MSB), where *s* represents the slot number.

Note that if you include both digital input channels in the scan list, the instrument will read data from both ports simultaneously with the same time stamp. This will allow you to externally combine the two 8-bit value into one 16-bit value.

CONFigure:DIgital:BYTE (@<scan_list>)

Configure the instrument to read the specified digital input channels on the multifunction module but *do not* initiate the scan. *Note that this command also redefines the scan list.* The digital input channels are numbered “s01” (LSB) and “s02” (MSB), where *s* is the slot number.

Note that if you include both digital input channels in the scan list, the instrument will read data from both ports simultaneously with the same time stamp. This will allow you to externally combine the two 8-bit value into one 16-bit value.

[**SENSe:**] **DIgital:DATA:** { **BYTE** | **WORD** } ? [(@<ch_list>)]

Read an 8-bit byte or a 16-bit word digital pattern from the specified digital input channels. If you are going to read both ports simultaneously (**WORD**), you must send the command to port 01 (LSB) and neither port can be included in the scan list. The digital input channels are numbered “s01” (LSB) and “s02” (MSB), where *s* represents the slot number.

The output from this command is affected by the **FORMat:READING** commands (see “Reading Format Commands” on page 231).

Totalizer Commands

See also “Totalizer Operations” in chapter 4 starting on page 135.

MEASure:TOTAlize? {**READ**|**RRESet**} ,(@<scan_list>)

Configure the instrument to read the count on the specified totalizer channels on the multifunction module and immediately sweep through the scan list one time. *Note that this command also redefines the scan list.* The readings are sent directly to the instrument’s output buffer but the readings *are not* stored in reading memory. The totalizer channel is numbered “**s03**”, where **s** represents the slot number.

To read the totalizer during the scan without resetting the count, select the **READ** parameter. To read the totalizer during the scan and reset the count to “0” after it is read, select the **RRESet** parameter (this means “read and reset”).

CONFigure:TOTAlize {**READ**|**RRESet**} ,(@<scan_list>)

Configure the instrument to read the specified totalizer channels on the multifunction module but *do not* initiate the scan. *Note that this command also redefines the scan list.* The totalizer channel is numbered “**s03**”, where **s** represents the slot number.

To read the totalizer during the scan without resetting the count, select the **READ** parameter. To read the totalizer during the scan and reset the count to “0” after it is read, select the **RRESet** parameter (this means “read and reset”).

[**SENSe**:]

TOTAlize:TYPE {**READ**|**RRESet**} [,(@<ch_list>)]

TOTAlize:TYPE? [(@<ch_list>)]

Disable (default) or enable an automatic reset of the count when the specified totalizer channels are scanned. To read the count without resetting the value, select the **READ** parameter. To read the totalize and reset the count to “0” after it is read, select the **RRESet** parameter (this means “read and reset”). The totalizer channel is numbered “**s03**”, where **s** represents the slot number. The **:TYPE?** query returns the reset configuration currently selected. Returns “**READ**” or “**RRES**”.

```
[SENSE:]  
  TOTAlize:SLOPe {NEGAtive|POSitive}[,(@<ch_list>)]  
  TOTAlize:SLOPe? [(@<ch_list>)]
```

Configure the totalizer to count on the rising edge (default; positive) or falling edge (negative) of the input signal. The totalizer channel is numbered “s03”, where *s* represents the slot number. The :SLOP? query returns the edge selection. Returns “NEG” or “POS”.

```
[SENSE:]TOTAlize:CLear:IMMediate [(@<ch_list>)]
```

Immediately clear the count on the specified totalizer channels. The totalizer channel is numbered “s03”, where *s* is the slot number.

```
[SENSE:]TOTAlize:DATA? [(@<ch_list>)]
```

Read the count on the specified totalizer channels. If you have selected the RRESet parameter in the TOT:TYPE command, then the TOT:DATA? command will reset the count to “0” after it is read. The count is reset regardless of whether the specified channels are in the scan list or even whether a scan is in progress. The maximum count is 67,108,863 ($2^{26}-1$). The count rolls over to “0” after reaching the maximum allowed value.

The output from this command is affected by the FORMat:READING commands (see “Reading Format Commands” on page 231).

Digital Output Commands

SOURCE

```
:DIGital:DATA[:{BYTE|WORD}] <data> , (@<ch_list>)  
:DIGital:DATA[:{BYTE|WORD}]? (@<ch_list>)
```

Output an 8-bit byte or 16-bit word digital pattern to the specified digital output channels. Note that you cannot configure a port for output operations if that port is already configured to be part of the scan list (digital input). You must specify a decimal value (binary data is not accepted). If you are going to write to both ports simultaneously (WORD), you must send the command to port 01. The digital output channels are numbered “s01” (lower byte) and “s02” (upper byte), where *s* represents the slot number. The :BYTE? (or :WORD?) query returns the last byte or word sent to the specified digital output channel. Returns a number in the form “+255”.

```
SOURCE:DIGital:STATe? (@<ch_list>)
```

Read the last byte or word sent the specified digital output channels. The digital output channels are numbered “s01” (lower byte) and “s02” (upper byte), where *s* represents the slot number. This command returns “0” if the channel is an input port or “1” if the channel is an output port.

DAC Output Commands

SOURCE

```
:VOLTage <voltage> , (@<ch_list>)  
:VOLTage? (@<ch_list>)
```

Set the output voltage level on the specified DAC channel. You can set the output voltage to any value between +12 Vdc and -12 Vdc, in 1 mV steps. Each DAC channel is capable of 10 mA maximum output current. The DAC channels are numbered “s04” and “s05”, where *s* represents the slot number. The :VOLT? query returns the output voltage level on the specified DAC channel. Returns a number in the form “+8.00000000E+00”.

Switch Control Commands

ROUTe

:CLOSe (@<ch_list>)
:CLOSe:EXCLusive (@<ch_list>)
:CLOSe? (@<ch_list>)

Close the specified channels on a multiplexer or switch module. If any multiplexer channels are configured to be part of the scan list, you cannot close multiple channels on that module; closing one channel will open the previously closed channel. On the other modules, you can use the :EXCL command to ensure that all channels are open before closing the specified channel. The :CLOS? query returns the state of the specified channels. Returns "1" if the channel is closed or "0" if the channel is open.

- On the 20-channel multiplexer (34901A), only one of the shunt switches (channels 21 and 22) can be closed at a time; connecting one channel will close the other.
- On the matrix module (34904A), you can close multiple channels at the same time. Each crosspoint relay on this module has its own unique channel label representing the row and column. For example, channel 32 represents the crosspoint connection between row 3 and column 2.
- On the RF multiplexer modules (34905A/6A), you can close *only* one channel per bank at a time; closing one channel in a bank will open the previously closed channel. One channel in each bank is always connected to COM. These modules respond *only* to the ROUT:CLOSe command. To open a channel, send the ROUT:CLOSe command to another channel in the same bank.

ROUTe

:OPEN (@<ch_list>)
:OPEN? (@<ch_list>)

Open the specified channels on a multiplexer or switch module. The :OPEN? query returns the state of the specified channel. Returns "1" if the channel is open or "0" if the channel is closed.

ROUTE

```
:CHANnel:FWIRe {OFF|ON} [ , (@<ch_list> ) ]  
:CHANnel:FWIRe? [ (@<ch_list> ) ]
```

This command is valid only when the internal DMM is disabled or removed from the 34970A.

Configure the list of channels for 4-wire external scanning without the internal DMM. When enabled, the instrument automatically pairs channel n with channel $n+10$ (34901A) or $n+8$ (34902A) to provide the source and sense connections. For example, make the *source* connections to the HI and LO terminals on channel 2 and the *sense* connections to the HI and LO terminals on channel 12. Specify the paired channel in the lower bank (source) as the *scan_list* channel.

Note that the ROUT:CLOSE, ROUT:CLOSE:EXCL, and ROUT:OPEN commands ignore the current ROUT:CHAN:FWIRe setting (if no channels are in the scan list).


The :FWIR? query returns a “0” (4-wire pairing disabled) or “1” (4-wire pairing enabled) for each channel in the scan list.

ROUTE:DONE?

Query the status of all relay operations. Returns a “1” when all relay operations are finished (even during a scan).

```
SYSTEM:CPON {100|200|300|ALL}
```

Reset the module in the specified slot to its power-on state (CPON means “card power on”). To reset all three slots, specify ALL.

This is equivalent to pressing  from the front panel.

State Storage Commands

The instrument has six storage locations in non-volatile memory to store instrument states. The locations are numbered 0 through 5. The instrument uses location “0” to automatically hold the state of the instrument at power down. You can also assign a name to each of the locations (1 through 5) for use from the front panel.

***SAV** {0|1|2|3|4|5}

Store (save) the current instrument state in the specified storage location. Any state previously stored in the same location is overwritten (no error is generated).

- You can store the instrument state in any of the six locations. However, you can only recall a state from a location that contains a previously stored state. You can use location “0” to store a sixth instrument state. However, keep in mind that location “0” is automatically overwritten when power is cycled.
- The instrument stores the state of all modules including all channel configurations, scanning setups, alarm values, and scaling values.
- A Factory Reset (*RST command) does not affect the configurations stored in memory. Once a state is stored, it remains until it is overwritten or specifically deleted.

***RCL** {0|1|2|3|4|5}

Recall the instrument state stored in the specified storage location. You cannot recall the instrument state from a storage location that is empty or was deleted. When shipped from the factory, storage locations “1” through “5” are empty (location “0” has the power-on state).

- You can use location “0” to store a sixth instrument state. However, keep in mind that location “0” is automatically overwritten when power is cycled.
- Before recalling a stored state, the instrument verifies that the same module types are installed in each slot. If a different module type is installed, the instrument will perform the equivalent of a Card Reset (SYSTEM:CPON command) on that slot.

MEMory:STATe

:NAME {1|2|3|4|5} [, <name>]
:NAME? {1|2|3|4|5}

Assign a name to the specified storage location (you cannot assign a name to location "0"). You can name a location from the front panel or over the remote interface but you can only recall a named state from the front panel. From the remote interface, you can only recall a stored state using a number (0 through 5). The **:NAME?** query returns a quoted string containing the name currently assigned to the specified storage location. If the specified location has no name assigned, an empty string (" ") is returned.

- The name can contain up to 12 characters. The first character *must* be a letter (A-Z), but the remaining 11 characters can be letters, numbers (0-9), or the underscore character (" _"). Blank spaces are not allowed. An error is generated if you specify a name with more than 12 characters. An example is shown below.

```
MEM:STATE:NAME 1,TEST_RACK_1
```

- If you do not specify a name (note that the *name* parameter is optional), no name is assigned to that state. This provides a way to erase a name (however, the stored state *is not* deleted).

MEMory:STATe:DELeTe {0|1|2|3|4|5}

Delete the contents of the specified storage location. If you have named a storage location (**MEM:STAT:NAME** command), this command *does not* remove the name that you assigned. Note that you cannot recall the instrument state from a storage location that was deleted. An error is generated if you attempt to recall a deleted state.

MEMory:STATe
:RECall:AUTO {OFF|ON}
:RECall:AUTO?

Disable or enable (default) the automatic recall of the power-down state from storage location "0" when power is turned on. Select "ON" to automatically recall the power-down state when power is turned on. Select "OFF" to issue a Factory Reset (and state "0" is not automatically recalled) when power is turned on. The :AUTO? query returns the automatic recall setting. Returns "0" (OFF) or "1" (ON).

MEMory:STATe:VALid? {0|1|2|3|4|5}

Query the specified storage location to determine if a valid state is currently stored in this location. You can use this command before sending the *RCL command to determine if a state has been previously stored in this location. Returns "0" if no state has been stored or if it has been deleted. Returns "1" if a valid state is stored in this location.

MEMory:NStates?

Query the total number of memory locations available for state storage. Always returns "6" (memory location "0" is included).

System-Related Commands

See also “System-Related Operations” in chapter 4 starting on page 140.

SYSTem:DATE <yyy>,<mm>,<dd>

Set the instrument calendar. The setting is stored in non-volatile memory. When shipped from the factory, instrument is set to the current time and date (U.S Mountain Time). For example, the following command sets the calendar to June 1, 2002.

```
SYST:DATE 2002,06,01
```

SYSTem:DATE?

Read the instrument calendar. Returns three numbers in the form “2002,06,01”.

SYSTem:TIME <hh>,<mm>,<ss.sss> (based on 24-hour clock)

Set the instrument clock. The setting is stored in non-volatile memory. When shipped from the factory, instrument is set to the current time and date (U.S Mountain Time). For example, the following command sets the time to 6:30 PM.

```
SYST:TIME 18,30,00
```

SYSTem:TIME?

Query the instrument clock. Returns three numbers in the form “18,30,00”.

FORMat

```
:READING:TIME:TYPE {ABSolute|RELative}  
:READING:TIME:TYPE?
```

Select the time format for storing scanned data in memory. You can select absolute time (time of day with date) or relative time (time since start of scan). The default is relative time. This command operates in conjunction with the `FORMat:READING:TIME` command (they are not mutually exclusive). The `:TYPE?` query returns “ABS” or “REL”.

Note: *The absolute format is considerably slower than the relative format.*

***IDN?**

Read the instrument's identification string. The instrument returns three numbers for the system firmware. The first number is the firmware revision number for the measurement processor; the second is for the input/output processor; and the third is for the front-panel processor. An example string is shown below:

```
HEWLETT-PACKARD,34970A,X,X.X-X.X-X.X
```

Be sure to dimension a string variable with at least 40 characters.

SYSTem:CTYPe? {100 | 200 | 300 }

Read the identity of the module in the specified slot. For example, the 34903A 20-Channel Actuator returns:

```
HEWLETT-PACKARD,34903A,0,1.0
```

The last number (1.0 in this example) is the firmware revision number for the module.

DIAGnostic

```
:POKE:SLOT:DATA {100 | 200 | 300}, <quoted_string>  
:PEEK:SLOT:DATA? {100 | 200 | 300}
```

Add a custom label to the module in the specified slot. You can specify a custom label with up to 10 characters; any additional characters are truncated (no error is generated). One possible use for this command is to allow you to differentiate between modules of the same type from within your program. The custom label is stored in non-volatile memory on the module. Note that the instrument must be unsecured (see the calibration section on page 292) before you can store the custom label.

The following program statement shows how to add a custom label to the module installed in slot 100.

```
DIAG:POKE:SLOT:DATA 100, 'Module_A'
```

DISPlay {OFF|ON}
DISPlay?

Disable or enable the front-panel display. When disabled, the entire front-panel display goes dark and all display annunciators except **ERROR** are disabled. All keys except **Local** are locked out when the display is disabled. The display is automatically enabled when power is cycled, after a Factory Reset (*RST command), or when you return to local by pressing **Local**. The **DISP?** query the front-panel display setting. Returns "0" (OFF) or "1" (ON).

DISPlay
:TEXT <quoted_string>
:TEXT?

Display a message on the instrument's front-panel display. The instrument can display up to 13 characters on the front panel; if you attempt to send more than 13 characters, an error is generated. The :TEXT? query reads the message sent to the instrument front panel and returns a quoted string.

You can use letters (A-Z), numbers (0-9), and special characters like "@", "%", "*", etc. Use the "#" character to display a degree symbol (°). Commas, periods, and semicolons share a display space with the preceding character, and are not considered individual characters. While a message is displayed on the front panel, readings from a scan or monitor are not sent to the display.

The following command displays a message on the front panel.

```
DISP:TEXT 'SCANNING ...'
```

DISPlay:TEXT:CLEAr

Clear the message displayed on the front-panel display.

INSTRument
:DMM {OFF | ON}
:DMM?

Disable or enable the internal DMM. When you change the state of the internal DMM, the instrument issues a Factory Reset (*RST command). The :DMM? query returns the state of the internal DMM. Returns “0” (disabled) or “1” (enabled).

INSTRument:DMM:INSTALLED?

Query the instrument to determine if the internal DMM is installed. Returns “0” (not installed) or “1” (installed).

***RST**

Reset the instrument to the Factory configuration. See “Factory Reset State” on page 160 in chapter 4 for a complete listing of the instrument’s Factory Reset state.

This command is equivalent to selecting FACTORY RESET from the front-panel Sto/Rcl Menu.


SYSTEM:PRESet

Preset the instrument to a known configuration. See “Instrument Preset State” on page 161 in chapter 4 for a complete listing of the instrument’s preset state.

This command is equivalent to selecting PRESET from the front-panel Sto/Rcl Menu.

SYSTEM:CPON {100 | 200 | 300 | ALL}

Reset the module in the specified slot to its power-on state (CPON means “card power on”). To reset all three slots, specify ALL.

This is equivalent to pressing  from the front panel.

Interface Configuration Commands

See also "Remote Interface Configuration" in chapter 4 starting on page 150.


SYSTem:INTerface { GPIB | RS232 }

Select the remote interface. Only one interface can be enabled at a time. The GPIB interface is selected when the instrument is shipped from the factory.


SYSTem:LOCal

Place the instrument in the *local* mode for RS-232 operation. All keys on the front panel are fully functional while in the local mode.

SYSTem:REMote

Place the instrument in the *remote* mode for RS-232 operation. All keys on the front panel, except  , are disabled while in the remote mode.

SYSTem:RWLock

Place the instrument in the *remote* mode for RS-232 operation. This command is the same as the **SYSTem:REMote** command except that *all keys* on the front panel are disabled, including the  key.

<Ctrl-C>

Clear the operation in progress over the RS-232 interface and discard any pending output data. *This is equivalent to the IEEE-488 Device Clear action over the GPIB interface.*

RS-232 Interface Configuration

See also "Remote Interface Configuration" in chapter 4 on page 150.

This section contains information to help you use the instrument over the RS-232 interface. The programming commands for RS-232 are listed on page 269.

RS-232 Configuration Overview

Configure the RS-232 interface using the parameters shown below. Use the front-panel *Interface* menu to select the baud rate, parity, number of data bits, and flow control mode (see page 152 for more information).

- Baud Rate: 1200, 2400, 4800, 9600, 19200, 38400, **57600** (*factory setting*), 115200
- Parity and Data Bits: **None / 8 data bits** (*factory setting*)
Even / 7 data bits
Odd / 7 data bits
- Flow Control: None (*no flow control*)
XON/XOFF (*factory setting*)
DTR/DSR
RTS/CTS
Modem
- Number of Start Bits: **1 bit** (*fixed*)
- Number of Stop Bits: **1 bit** (*fixed*)

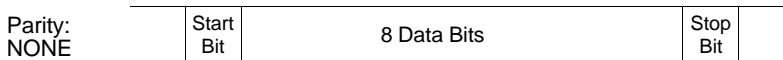
RS-232 Flow Control Modes

You can select one of several *flow control* methods to coordinate the transfer of data between the instrument and your computer or modem.

- *None*: In this mode, data is sent and received over the interface without any flow control used. When using this method, use a slower baud rate (< 9600 baud) and avoid sending more than 128 characters without stopping or reading a response.
- *XON/XOFF*: This mode uses special characters embedded in the data stream to control the flow. If the instrument is addressed to send data, it continues sending data until the “XOFF” character (13H) is received. When the “XON” character (11H) is received, the instrument resumes sending data.
- *DTR/DSR*: In this mode, the instrument monitors the state of the DSR (data set ready) line on the RS-232 connector. When the line goes true, the instrument sends data over the interface. When the line goes false, the instrument stops sending information (typically within six characters). The instrument sets the DTR line false when the input buffer is almost full (approximately 100 characters) and releases the line when space is available again.
- *RTS/CTS*: This mode operates the same as the *DTR/DSR* mode but uses the RTS (request to send) and CTS (clear to send) lines on the RS-232 connector instead. When the CTS line goes true, the instrument sends data over the interface. When the line goes false, the instrument stops sending information (typically within six characters). The instrument sets the RTS line false when the input buffer is almost full (approximately 100 characters) and releases the line when space is available again.
- *Modem*: This mode uses the DTR/DSR and RTS/CTS lines to control the flow of data between the instrument and a modem. When the RS-232 interface is selected, the instrument sets the DTR line true. The DSR line is set true when the modem is on-line. The instrument sets the RTS line true when it is ready to receive data. The modem sets the CTS line true when it is ready to accept data. The instrument sets the RTS line false when the input buffer is almost full (approximately 100 characters) and releases the line when space is available again.

RS-232 Data Frame Format

A character *frame* consists of all the transmitted bits that make up a single character. The frame is defined as the bits from the *start bit* to the last *stop bit*, inclusively. Within the frame, you can select the baud rate, number of data bits, and parity type. The instrument uses the following frame formats for seven and eight data bits.



Connection to a Computer or Terminal

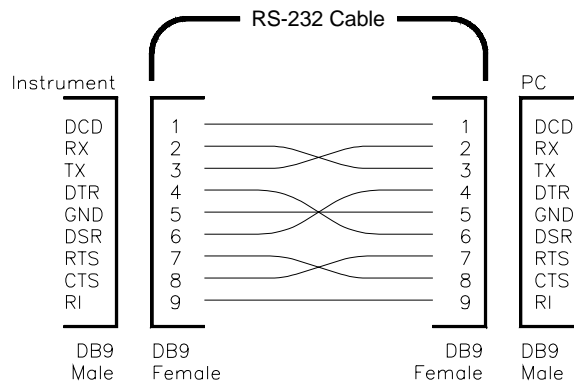
To connect the instrument to a computer or terminal, you must have the proper interface cable. Most computers and terminals are DTE (*Data Terminal Equipment*) devices. Since the instrument is also a DTE device, you must use a DTE-to-DTE interface cable. These cables are also called *null-modem*, *modem-eliminator*, or *crossover cables*.

The interface cable must also have the proper connector on each end and the internal wiring must be correct. Connectors typically have 9 pins (DB-9 connector) or 25 pins (DB-25 connector) with a “male” or “female” pin configuration. A male connector has pins inside the connector shell and a female connector has holes inside the connector shell.

If you cannot find the correct cable for your configuration, you may have to use a *wiring adapter*. If you are using a DTE-to-DTE cable, make sure the adapter is a “straight-through” type. Typical adapters include gender changers, null-modem adapters, and DB-9 to DB-25 adapters.

If your computer has a 9-pin serial port with a male connector, use the cable included with the instrument (if you ordered the internal DMM). If you need an additional cable, order the RS232-61601 cable which is part of the *34398A Cable Kit*. This cable has a 9-pin female connector on each end.

The cable pin diagram is shown below (*this is the pinout for the cable shipped with the 34970A*). For proper operation, you *must* use an RS-232 cable with the same pinout as shown below.



RS-232 Troubleshooting

Here are a few things to check if you are having problems communicating over the RS-232 interface. If you need additional help, refer to the documentation that came with your computer.

- Verify that the instrument and your computer are configured for the same baud rate, parity, and number of data bits. Make sure that your computer is set up for *1 start bit* and *1 stop bit* (these values are fixed on the instrument).
- Verify that you have connected the correct interface cable and adapters. Even if the cable has the proper connectors for your system, the internal wiring may not be correct. You can use the *34398A Cable Kit* to connect the instrument to most computers or terminals.
- Verify that you have connected the interface cable to the correct serial port on your computer (COM1, COM2, etc.).

Modem Communications

This section gives details on communicating with the instrument from a remote PC using a modem. To communicate over the phone lines, you must have a PC and two modems. One modem is connected to your PC (*local modem*) and the other is connected to the 34970A (*remote modem*). The steps below show how to set up a typical modem.

1. Connect the remote modem to your local PC.
2. Run the Windows *Terminal* or *Hyper Terminal* program to configure the modem. These programs can be found in the *Accessories* group.
3. Set the baud rate using the Terminal program to the same value used for the 34970A. *For more information on setting the instrument's baud rate, refer to "Baud Rate Selection" on page 152.*
4. Configure the remote modem for auto answer, disable command echo, and disable result codes. Save these settings as the active profile. For example, when using a U.S. Robotics® 56K modem, the command string is "AT&F1S0=1E0Q1&W0", where:

| | |
|----------------|--|
| AT | Set the baud rate and configure the modem to expect more commands. |
| &F1 | Place the modem in its factory configuration, which is compatible with most PCs. |
| S0=1 | Set to auto answer after one ring. |
| E0 | Disable command echo mode. |
| Q1 | Disable result codes. |
| &W0 | Store settings for power-on profile. |

5. Configure the 34970A for the "Modem" flow control mode (*for more information, see "Flow Control Selection" on page 153*).
6. Remove the remote modem from the PC. Connect the remote modem to the 34970A using the RS-232 cable supplied (if you ordered the internal DMM) and modem adapter. *The modem adapter is available in the 34399A Adapter kit.*
7. After turning on the remote modem, you should notice that the AA (auto answer) light is on. When you turn on the 34970A, you should notice that the TR (instrument ready) light is on.
8. Connect the remote modem to the phone line. From the local modem, dial up the remote modem using *BenchLink Data Logger* or another software application.

The SCPI Status System

This section describes the structure of the SCPI status system used by the 34970A. The status system records various conditions and states of the instrument in five register groups as shown on the following page. Each of the register groups is made up of several low-level registers called Condition registers, Event registers, and Enable registers which control the action of specific bits within the register group.

What is a Condition Register?

A *condition register* continuously monitors the state of the instrument. The bits in the condition register are updated in real time and the bits are not latched or buffered. This is a read-only register and bits are not cleared when you read the register. A query of a condition register returns a decimal value which corresponds to the binary-weighted sum of all bits set in that register.

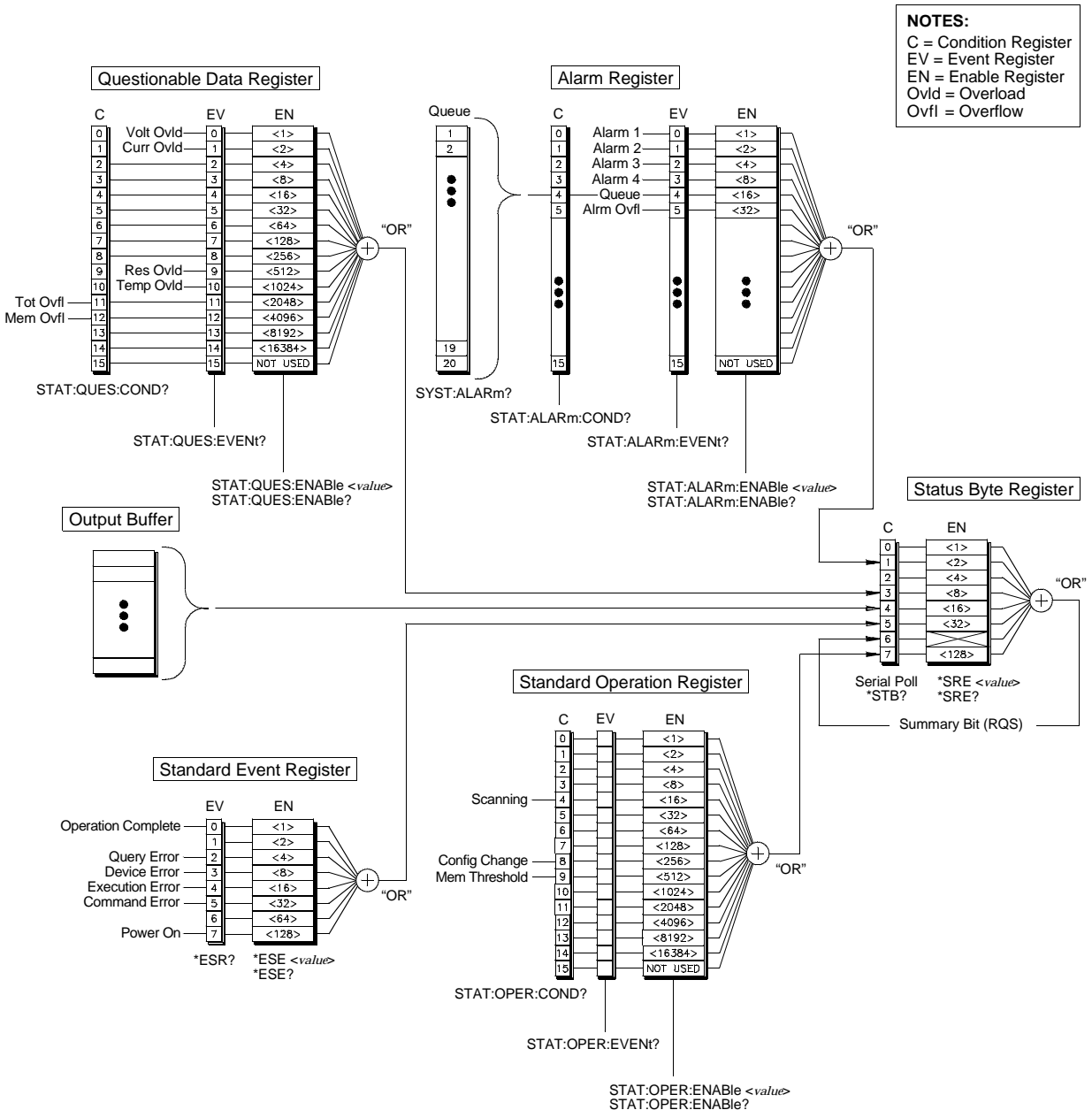
What is an Event Register?

An *event register* latches the various events from the condition register. There is no buffering in this register; while an event bit is set, subsequent events corresponding to that bit are ignored. This is a read-only register. Once a bit is set, it remains set until cleared by a query command (such as `STATUS:OPER:EVENT?`) or a `*CLS` (clear status) command. A query of this register returns a decimal value which corresponds to the binary-weighted sum of all bits set in that register.

What is an Enable Register?

An *enable register* defines which bits in the event register will be reported to the Status Byte register group. You can write to or read from an enable register. A `*CLS` (clear status) *will not* clear the enable register but it does clear all bits in the event register. A `STATUS:PRESet` clears all bits in the enable register. To enable bits in the enable register to be reported to the Status Byte register, you must write a decimal value which corresponds to the binary-weighted sum of the corresponding bits.

Agilent 34970A Status System



The Status Byte Register

The Status Byte register group reports conditions from the other register groups. Data in the instrument's output buffer is immediately reported on the "Message Available" bit (bit 4). Clearing an event register from one of the other register groups will clear the corresponding bits in the Status Byte condition register. Reading all messages from the output buffer, including any pending queries, will clear the "Message Available" bit. To set the enable register mask and generate an SRQ (service request), you must write a decimal value to the register using the *SRE command.

Bit Definitions – Status Byte Register

| Bit Number | Decimal Value | Definition |
|----------------------|---------------|---|
| 0 <i>Not Used</i> | 1 | Returns "0". |
| 1 Alarm Condition | 2 | One or more bits are set in the Alarm Register (bits must be enabled). |
| 2 <i>Not Used</i> | 4 | Returns "0". |
| 3 Questionable Data | 8 | One or more bits are set in the Questionable Data Register (bits must be enabled). |
| 4 Message Available | 16 | Data is available in the instrument's output buffer. |
| 5 Standard Event | 32 | One or more bits are set in the Standard Event Register (bits must be enabled). |
| 6 Master Summary | 64 | One or more bits are set in the Status Byte Register (bits must be enabled). |
| 7 Standard Operation | 128 | One or more bits are set in the Standard Operation Register (bits must be enabled). |

The Status Byte *condition register* is cleared when:

- You execute the *CLS (clear status) command.
- You read the event register from one of the other register groups (only the corresponding bits are cleared in the Status Byte condition register).

The Status Byte *enable register* is cleared when:

- You execute the *SRE 0 command.
- You turn the power on and have previously configured the instrument to clear the enable register using the *PSC 1 command. Note that the enable register *will not* be cleared at power-on if you have configured the instrument using the *PSC 0 command.

Using Service Request (SRQ) and Serial Poll

You must configure your computer to respond to the IEEE-488 service request (SRQ) interrupt to use this capability. Use the Status Byte *enable register* (*SRE command) to select which condition bits will assert the IEEE-488 SRQ line. If bit 6 (RQS) transitions from a “0” to a “1”, then an IEEE-488 service request message is sent to your computer. The computer may then poll the instruments on the interface bus to identify which one is asserting the service request line (the instrument with bit 6 set in its Serial Poll response).

Note: *When a Serial Poll is issued, bit 6 (RQS) is cleared in the Status Byte (no other bits are affected) and the service request line is cleared.*

To read the Status Byte condition register, send an IEEE-488 Serial Poll message. Querying the condition register will return a decimal value which corresponds to the binary-weighted sum of the bits set in the register. Performing a Serial Poll will not affect measurement throughput.

Note: *Unlike other commands, a Serial Poll is executed immediately. Therefore, the status indicated by a Serial Poll may not necessarily indicate the affect of the most recent command. Use the *OPC? command to guarantee that commands previously sent to the instrument have completed before executing a Serial Poll.*

Using *STB? to Read the Status Byte

The *STB? command is similar to a Serial Poll but it is processed like any other instrument command. The *STB? command returns the same result as a Serial Poll but bit 6 *is not* cleared as long as the enabled conditions remain.

The *STB? command is not handled automatically by the IEEE-488 bus interface hardware and will be executed only after previous commands have completed. You cannot clear an SRQ using the *STB? command.

Using the Message Available Bit (MAV)

You can use the Status Byte “Message Available” bit (bit 4) to determine when data is available to read into your computer. The instrument subsequently clears bit 4 only after all messages have been read from the output buffer.

To Interrupt Your Bus Controller Using SRQ

1. Send a Device Clear message to clear the instrument’s output buffer (e.g., `CLEAR 709`).
2. Clear the event registers using the `*CLS` command.
3. Set up the enable register masks. Execute the `*ESE` command to configure the Standard Event enable register and the `*SRE` command to configure the Status Byte enable register.
4. Send the `*OPC?` command and enter the result to ensure synchronization.
5. Enable your computer’s IEEE-488 SRQ interrupt.

To Determine When a Command Sequence is Completed

1. Send a Device Clear message to clear the instrument’s output buffer (e.g., `CLEAR 709`).
2. Clear the event registers using the `*CLS` command.
3. Enable the “Operation Complete” bit (bit 0) in the Standard Event register using the `*ESE 1` command.
4. Send the `*OPC?` command and enter the result to ensure synchronization.
5. Execute your command string to program the desired configuration, and then send the `*OPC` command as the last command (note that if a scan is in progress, the `*OPC` command will wait until the *entire* scan is complete). When the command sequence is completed, the “Operation Complete” bit (bit 0) is set in the Standard Event register.
6. Use a Serial Poll to check to see when bit 5 (routed from the Standard Event register) is set in the Status Byte condition register. You could also configure the instrument for an SRQ interrupt by sending `*SRE 32` (Status Byte enable register, bit 5).

The Questionable Data Register

The Questionable Data register group provides information about the quality of the instrument's measurement results. Any or all of these conditions can be reported to the Questionable Data summary bit through the *enable register*. To set the enable register mask, you must write a decimal value to the register using the `STATus:QUES:ENABLe` command.

A measurement overload condition is always reported in both the Questionable Data event register (bits 0, 1, 2, 9, or 10) and the Standard event register (bit 3). However, no error message is recorded in the instrument's error queue.

Bit Definitions – Questionable Data Register

| Bit Number | Decimal Value | Definition |
|--------------------------------|---------------|--|
| 0 Voltage Overload | 1 | Range overload on dc or ac volts. |
| 1 Current Overload | 2 | Range overload on dc or ac current. |
| 2 <i>Not Used</i> | 4 | Returns "0". |
| 3 <i>Not Used</i> | 8 | Returns "0". |
| 4 <i>Not Used</i> | 16 | Returns "0". |
| 5 <i>Not Used</i> | 32 | Returns "0". |
| 6 <i>Not Used</i> | 64 | Returns "0". |
| 7 <i>Not Used</i> | 128 | Returns "0". |
| 8 <i>Not Used</i> | 256 | Returns "0". |
| 9 Resistance Overload | 512 | Range overload on 2- or 4-wire resistance. |
| 10 Temperature Overload | 1024 | Range overload on temperature. |
| 11 Totalizer Overflow | 2048 | Count overflow on a totalizer channel. |
| 12 Memory Overflow | 4096 | Memory is full; 1 or more readings are lost. |
| 13 <i>Not Used</i> | 8192 | Returns "0". |
| 14 <i>Not Used</i> | 16384 | Returns "0". |
| 15 <i>Not Used</i> | 32768 | Returns "0". |

The Questionable Data *event register* is cleared when:

- You execute a *CLS (clear status) command.
- You query the event register using the STATus:QUES:EVENT? command.

The Questionable Data *enable register* is cleared when:

- You turn on the power (*PSC does not apply).
- You execute the STATus:PRESet command.
- You execute the STATus:QUES:ENABLE 0 command.

The Standard Event Register

The Standard Event register group reports the following types of instrument events: power-on detected, command syntax errors, command execution errors, self-test or calibration errors, query errors, or the *OPC command is executed. Any or all of these conditions can be reported to the Standard Event summary bit through the *enable register*. To set the enable register mask, you must write a decimal value to the register using the *ESE command.

An error condition (Standard Event bits 2, 3, 4, or 5) will record one or more errors in the instrument's error queue, with the following exception:

A measurement overload condition is always reported in both the Standard event register (bit 3) and Questionable Data event register (bits 0, 1, 9, or 10). However, no error message is recorded in the instrument's error queue.

Read the error queue using the SYSTEM:ERROR? command.

Bit Definitions – Standard Event Register

| Bit Number | Decimal Value | Definition |
|----------------------|---------------|---|
| 0 Operation Complete | 1 | All commands prior to and including *OPC have been executed. |
| 1 <i>Not Used</i> | 2 | Returns "0". |
| 2 Query Error | 4 | The instrument tried to read the output buffer but it was empty. Or, a new command line was received before a previous query has been read. Or, both the input and output buffers are full. |
| 3 Device Error | 8 | A self-test or calibration error occurred (see error numbers in the -300 range or any positive error number in chapter 6). |
| 4 Execution Error | 16 | An execution error occurred (see error numbers in the -200 range in chapter 6). |
| 5 Command Error | 32 | A command syntax error occurred (see error numbers in the -100 range in chapter 6). |
| 6 <i>Not Used</i> | 64 | Returns "0". |
| 7 Power On | 128 | Power has been turned off and on since the last time the event register was read or cleared. |

The Standard *event register* is cleared when:

- You execute the *CLS (clear status) command.
- You query the event register using the *ESR? command.

The Standard Event *enable register* is cleared when:

- You execute the *ESE 0 command.
- You turn the power on and have previously configured the instrument to clear the enable register using the *PSC 1 command. Note that the enable register *will not* be cleared at power-on if you have configured the instrument using the *PSC 0 command.

The Alarm Register

The Alarm register group is used to report the status of the four instrument alarm limits. Any or all of these alarm conditions can be reported to the Alarm Register summary bit through the *enable register*. To set the enable register mask, you must write a decimal value to the register using the `STATUS:ALARM:ENABLE` command.

Bit Definitions – Alarm Register

| Bit Number | Decimal Value | Definition |
|--------------------|---------------|--|
| 0 Alarm 1 | 1 | Alarm occurred on Alarm 1. |
| 1 Alarm 2 | 2 | Alarm occurred on Alarm 2. |
| 2 Alarm 3 | 4 | Alarm occurred on Alarm 3. |
| 3 Alarm 4 | 8 | Alarm occurred on Alarm 4. |
| 4 Queue Empty * | 16 | Alarm queue status (0 = empty, 1 = not empty). |
| 5 Queue Overflow | 32 | Alarm data lost due to alarm queue overflow. |
| 6 <i>Not Used</i> | 64 | <i>Returns "0".</i> |
| ⋮ ↓ | ⋮ ↓ | ⋮ ↓ |
| 15 <i>Not Used</i> | 32768 | <i>Returns "0".</i> |

* The Condition Register implements only bit 4.

The Alarm *event register* is cleared when:

- You execute a `*CLS` (clear status) command.
- You query the event register using the `STATUS:ALARM:EVENT?` command.

The Alarm *enable register* is cleared when:

- You turn on the power (`*PSC` does not apply).
- You execute the `STATUS:PRESet` command.
- You execute the `STATUS:ALARM:ENABLE 0` command.

The Standard Operation Register

The Standard Operation register group is used to report when the instrument is scanning. Any or all of these conditions can be reported to the Standard Operation summary bit through the *enable register*. To set the enable register mask, you must write a decimal value to the register using the `STATus:OPER:ENABle` command.

Bit Definitions – Standard Operation Register

| Bit Number | Decimal Value | Definition |
|------------------------|---------------|---|
| 0 <i>Not Used</i> | 1 | Returns "0". |
| 1 <i>Not Used</i> | 2 | Returns "0". |
| 2 <i>Not Used</i> | 4 | Returns "0". |
| 3 <i>Not Used</i> | 8 | Returns "0". |
| 4 Scan in Progress | 16 | Instrument is scanning (SCAN annunciator is on). |
| 5 <i>Not Used</i> | 32 | Returns "0". |
| 6 <i>Not Used</i> | 64 | Returns "0". |
| 7 <i>Not Used</i> | 128 | Returns "0". |
| 8 Configuration Change | 256 | Channel configuration was changed from the front panel. This bit is cleared when a new scan is initiated. |
| 9 Memory Threshold | 512 | Programmed number of readings have been stored in reading memory. |
| 10 <i>Not Used</i> | 1024 | Returns "0". |
| ⋮ ↓ | ⋮ ↓ | ⋮ ↓ |
| 15 <i>Not Used</i> | 32768 | Returns "0". |

The Standard Operation *event register* is cleared when:

- You execute the `*CLS` (clear status) command.
- You query the event register using the `STATus:OPER:EVENT?` command.

The Standard Operation *enable register* is cleared when:

- You turn on the power (`*PSC` does not apply).
- You execute the `STATus:PRESet` command.
- You execute the `STATus:OPER:ENABle 0` command.

Status System Commands

An application program is included in chapter 7 which shows the use of the Status System Registers. Refer to page 330 for more information.

| |
|--------------------------------------|
| Status Byte Register Commands |
|--------------------------------------|

See the table on page 277 for the register bit definitions.

***STB?**

Query the summary (condition) register in this register group. This command is similar to a Serial Poll but it is processed like any other instrument command. This command returns the same result as a Serial Poll but the “Master Summary” bit (bit 6) *is not* cleared if a Serial Poll has occurred.

***SRE** <enable_value>

***SRE?**

Enable bits in the enable register in this register group. A *CLS (clear status) *will not* clear the enable register but it does clear all bits in the event register. A STATUS:PRESet *does not* clear the bits in the Status Byte enable register. To enable bits in the enable register, you must write a decimal value which corresponds to the binary-weighted sum of the bits you wish to enable in the register.

The *SRE? query returns a decimal value which corresponds to the binary-weighted sum of all bits enabled by the *SRE command.

Questionable Data Register Commands

See the table on page 280 for the register bit definitions.

STATUS:QUESTIONABLE:CONDITION?

Query the condition register in this register group. This is a read-only register and bits are not cleared when you read the register. A *RST (Factory Reset) will clear all bits in a condition register. A query of this register returns a decimal value which corresponds to the binary-weighted sum of all bits set in the register.

STATUS:QUESTIONABLE[:EVENT]?

Query the event register in this register group. This is a read-only register. Once a bit is set, it remains set until cleared by this command or *CLS (clear status) command. A query of this register returns a decimal value which corresponds to the binary-weighted sum of all bits set in the register.

**STATUS:QUESTIONABLE:ENABLE <enable_value>
STATUS:QUESTIONABLE:ENABLE?**

Enable bits in the enable register in this register group. The selected bits are then reported to the Status Byte. A *CLS (clear status) *will not* clear the enable register but it does clear all bits in the event register. A STATUS:PRESet clears all bits in the enable register. To enable bits in the enable register, you must write a decimal value which corresponds to the binary-weighted sum of the bits you wish to enable in the register.

The :ENABLE? query returns a decimal value which corresponds to the binary-weighted sum of all bits enabled by the STATUS:QUES:ENABLE command.

| |
|---|
| Standard Event Register Commands |
|---|

See the table on page 282 for the register bit definitions.

***ESR?**

Query the event register in this register group. This is a read-only register. Once a bit is set, it remains set until cleared by a *CLS (clear status) command. A query of this register returns a decimal value which corresponds to the binary-weighted sum of all bits set in the register.

***ESE <enable_value>**

***ESE?**

Enable bits in the enable register in this register group. The selected bits are then reported to the Status Byte. A *CLS (clear status) *will not* clear the enable register but it does clear all bits in the event register. A STATUS:PRESet *does not* clear the bits in the Standard Event enable register. To enable bits in the enable register, you must write a decimal value which corresponds to the binary-weighted sum of the bits you wish to enable in the register.

The *ESE? query returns a decimal value which corresponds to the binary-weighted sum of all bits enabled by the *ESE command.

Alarm Register Commands

See the table on page 284 for the register bit definitions.

STATUS:ALARM:CONDition?

Query the condition register in this register group (note that this condition register uses only bit 4). This is a read-only register and bits are not cleared when you read the register. A *RST (Factory Reset) clears the "Queue Empty" bit (bit 4) in the condition register. A query of this register returns a decimal value which corresponds to the binary-weighted sum of all bits set in the register.

STATUS:ALARM[:EVENT]?

Query the event register in this register group. This is a read-only register. Once a bit is set, it remains set until cleared by the STATUS:ALARM:EVENT? command or *CLS (clear status) command. A query of this register returns a decimal value which corresponds to the binary-weighted sum of all bits set in the register.

**STATUS:ALARM:ENABLE <enable_value>
STATUS:ALARM:ENABLE?**

Enable bits in the enable register in this register group. The selected bits are then reported to the Status Byte. A *CLS (clear status) *will not* clear the enable register but it does clear all bits in the event register. A STATUS:PRESet clears all bits in the enable register. To enable bits in the enable register, you must write a decimal value which corresponds to the binary-weighted sum of the bits you wish to enable in the register.

The :ENABLE? query returns a decimal value which corresponds to the binary-weighted sum of all bits enabled by the STATUS:ALARM:ENABLE command.

SYSTEM:ALARM?

Read the alarm data from the alarm queue (one alarm event is read and cleared each time this command is executed). *See the diagram on page 251 for more details on the output format.*

| |
|---|
| Standard Operation Register Commands |
|---|

See the table on page 285 for the register bit definitions.

STATUS:OPERation:CONDition?

Query the condition register in this register group. This is a read-only register and bits are not cleared when you read the register. Note that a *RST (Factory Reset) command may set the “Configuration Change” bit (bit 8) in the condition register. A query of this register returns a decimal value which corresponds to the binary-weighted sum of all bits set in the register.

STATUS:OPERation[:EVENT]?

Query the event register in this register group. This is a read-only register. Once a bit is set, it remains set until cleared by the STATUS:OPER:EVENT? command or *CLS (clear status) command. A query of this register returns a decimal value which corresponds to the binary-weighted sum of all bits set in the register.

STATUS:OPERation:ENABLE <enable_value>
STATUS:OPERation:ENABLE?

Enable bits in the enable register in this register group. The selected bits are then reported to the Status Byte. A *CLS (clear status) *will not* clear the enable register but it does clear all bits in the event register. A STATUS:PRESet clears all bits in the enable register. To enable bits in the enable register, you must write a decimal value which corresponds to the binary-weighted sum of the bits you wish to enable in the register.

The :ENABLE? query returns a decimal value which corresponds to the binary-weighted sum of all bits enabled by the STATUS:OPER:ENABLE command.

DATA:POINTs:EVENT:THReshold <num_rdgs>
DATA:POINTs:EVENT:THReshold?

Set a bit in the event register when the specified number of readings have been stored in reading memory during a scan. You can set the memory threshold to any value between 1 reading and 50,000 readings. The default is 1 reading. When the specified number of readings have been stored in memory, the “Memory Threshold” bit (bit 9) is set to a “1” in the register. To report any subsequent events, the reading count must first drop below the programmed threshold before reaching the threshold again. Once this bit is set, it remains set until cleared by the **STATus:OPER:EVENT?** command or ***CLS** (clear status) command.

The **:THReshold?** query returns the number of readings currently specified as the memory threshold.

Miscellaneous Status Register Commands

***CLS**

Clear the event register in all register groups. This command also clears the error queue and the alarm queue.

STATus:PRESet

Clear all bits in the Questionable Data enable register, the Alarm enable register, and the Standard Operation enable register.

***PSC** {0|1}
***PSC?**

Power-On Status Clear. Clear the Standard Event enable register and Status Byte condition register at power on (***PSC** 1). When ***PSC** 0 is in effect, these two registers *are not* cleared at power on. The ***PSC?** query returns the power-on status clear setting. Returns “0” (do not clear at power on) or “1” (clear at power on).

***OPC**

Set the “Operation Complete” bit (bit 0) in the Standard Event register at the completion of the current scan.

Calibration Commands

For an overview of the calibration features of the instrument, refer to “Calibration Overview” in chapter 4 starting on page 155. For a more detailed discussion of the instrument’s calibration procedures, see chapter 4 in the *34970A Service Guide*.

CALibration?

Perform a calibration of the instrument using the specified calibration value (**CALibration:VALue** command). Before you can calibrate the instrument, you must unsecure it by entering the correct security code. Returns “0” (PASS) or “1” (FAIL).

CALibration:COUNT?

Query the instrument to determine the number of times it has been calibrated. Note that your instrument was calibrated before it left the factory. When you receive your instrument, read the count to determine its initial value. The calibration count is stored in *non-volatile* memory in the mainframe. The calibration count increments up to a maximum of 65,535 after which it rolls over to “0”. Since the value increments by one for each calibration point, a complete calibration may increase the value by many counts. The calibration count is also incremented by calibrations of the DAC channels on the multifunction module.

CALibration:SECure:CODE <new_code>

Enter a new security code. To change the security code, you must first unsecure the instrument using the old security code, and then enter a new code. The security code is set to “HP034970” when the instrument is shipped from the factory. The security code is stored in *non-volatile* memory in the mainframe. The security code may contain up to 12 alphanumeric characters. The first character *must* be a letter, but the remaining characters can be letters, numbers, or an underscore (_). You do not have to use all 12 characters but the first character must always be a letter.

Calibration Commands

CALibration:SECure:STATE {OFF|ON}, <code>
CALibration:SECure:STATe?

Unsecure or secure the instrument for calibration. The security code may contain up to 12 alphanumeric characters. The :STAT? query reads the secured state of the instrument. Returns “0” (unsecured) or “1” (secured).

CALibration:STRing <quoted_string>

Store a message in calibration memory in the mainframe. Storing a calibration message will overwrite any message previously stored in memory. The following statement shows how to store a message in calibration memory.

```
CAL:STRING 'CAL: 06-01-98'
```

- The calibration message may contain up to 40 characters. From the front panel, you can view 13 characters of the message at a time.
- You can record a calibration message *only* from the remote interface and *only* when the instrument is unsecured. You can read the message from either the front-panel or over the remote interface. You can read the calibration message whether the instrument is secured or unsecured.
- The calibration message is stored in *non-volatile* memory in the mainframe, and *does not* change when power has been off, after a Factory Reset (*RST command), or after an Instrument Preset (SYSTEM:PRESet command).

CALibration:STRing?

Query the calibration message and return a quoted string. Returns a string in the form “CAL: 06-01-98”.

CALibration:VALue <value>
CALibration:VALue?

Specify the value of the known calibration signal as outlined in the calibration procedures in the *34970A Service Guide*. The :VAL? command reads present calibration value. Returns a number in the form “+1.00000000E+01”.

Service-Related Commands

INSTRument
:DMM {OFF|ON}
:DMM?

Disable or enable the internal DMM. When you change the state of the internal DMM, the instrument issues a Factory Reset (*RST command). The :DMM? query returns the state of the internal DMM. Returns “0” (disabled) or “1” (enabled).

INSTRument:DMM:INSTALLED?

Query the instrument to determine if the internal DMM is installed. Returns “0” (not installed) or “1” (installed).

DIAGnostic:DMM:CYCLES?

Query the cycle count of the three backplane relays on the internal DMM. These relays open or close when a function or range is changed on a module. Returns three numbers indicating the cycle count on relays “1”, “2”, and “3” (which correspond to relays K102, K103, and K104 respectively).

DIAGnostic:DMM:CYCLES:CLEAr {1|2|3}

Reset the relay cycle count on the specified internal DMM relay. Note that the instrument must be unsecured to reset the cycle count (*to unsecure the instrument, see the calibration section on page 292*).

DIAGnostic:RELay:CYCLES? [(@<ch_list>)]

Query the cycle count on the specified channels. In addition to the channel relays, you can also query the count on backplane relays and bank relays. Note that you cannot control the state of these relays from the front panel but you can query the count. *For more information on channel numbering and layout, refer to “Module Overview” starting on page 163.*

DIAGnostic:RELay:CYCLES:CLEAr [(@<ch_list>)]

Reset the cycle count on the specified channels. Note that the instrument must be unsecured to reset the cycle count (*to unsecure the instrument, see the calibration section on page 292*).

***RST**

Reset the instrument to the Factory configuration. See “Factory Reset State” on page 160 in chapter 4 for a complete listing of the instrument’s Factory Reset state. *This command is equivalent to selecting FACTORY RESET from the front-panel Sto/Rcl Menu.*

SYSTem:PRESet

Preset the instrument to a known configuration. See “Instrument Preset State” on page 161 in chapter 4 for a complete listing of the instrument’s preset state. *This command is equivalent to selecting PRESET from the front-panel Sto/Rcl Menu.*

SYSTem:CPON { 100 | 200 | 300 | ALL }

Reset the module in the specified slot to its power-on state (CPON means “card power on”). To reset all three slots, specify ALL.

SYSTem:VERsion?

Query the instrument to determine the present SCPI version. Returns a string in the form “YYYY.V”, where “YYYY” represents the year of the version, and “V” represents a version number for that year (e.g., 1994.0).

***TST?**

Perform a complete self-test of the instrument. Returns “0” if the self-test is successful, or “1” if the test fails.

***WAI**

Wait until the completion of the current scan to process any further commands. To abort the scan, send a Device Clear command. Note that this command will wait until the *entire* scan is complete (may hang indefinitely if a continuous scan is in progress).

***OPC**

Set the “Operation Complete” bit (bit 0) in the Standard Event register at the completion of the current scan. Note that this command will wait until the *entire* scan is complete (may hang indefinitely if a continuous scan is in progress).

An Introduction to the SCPI Language

SCPI (*Standard Commands for Programmable Instruments*) is an ASCII-based instrument command language designed for test and measurement instruments. Refer to “Simplified Programming Overview,” starting on page 201, for an introduction to the basic techniques used to program the instrument over the remote interface.

SCPI commands are based on a hierarchical structure, also known as a *tree system*. In this system, associated commands are grouped together under a common node or root, thus forming *subsystems*. A portion of the SENSE subsystem is shown below to illustrate the tree system.

```
SENSe:
  VOLTage
    :DC:RANGe {<range>|MINimum|MAXimum}[ , (@<ch_list>)]
  VOLTage
    :DC:RANGe? [ { (@<ch_list>) |MINimum|MAXimum} ]

  FREQuency
    :VOLTage:RANGe {<range>|MINimum|MAXimum}[ , (@<ch_list>)]
  FREQuency
    :VOLTage:RANGe? [ { (@<ch_list>) |MINimum|MAXimum} ]

  RESistance
    :OCOMPensated {OFF|ON}[ , (@<ch_list>)]
  RESistance
    :OCOMPensated? [ (@<ch_list>)]

  TEMPerature
    :RJUNction? [ (@<ch_list>)]
```

SENSe is the root keyword of the command, VOLTage and FREQuency are second-level keywords, and DC and VOLTage are third-level keywords. A colon (:) separates a command keyword from a lower-level keyword.

Command Format Used in This Manual

The format used to show commands in this manual is shown below:

```
VOLTage:DC:RANGE {<range>|MINimum|MAXimum}[ , (@<ch_list> )]
```

The command syntax shows most commands (and some parameters) as a mixture of upper- and lower-case letters. The upper-case letters indicate the abbreviated spelling for the command. For shorter program lines, send the abbreviated form. For better program readability, send the long form.

For example, in the above syntax statement, `VOLT` and `VOLTAGE` are both acceptable forms. You can use upper- or lower-case letters. Therefore, `VOLTAGE`, `volt`, and `Volt` are all acceptable. Other forms, such as `VOL` and `VOLTAG`, will generate an error.

Braces ({ }) enclose the parameter choices for a given command string. The braces are not sent with the command string.

A *vertical bar (|)* separates multiple parameter choices for a given command string.

Triangle brackets (< >) indicate that you must specify a value for the enclosed parameter. For example, the above syntax statement shows the *range* parameter enclosed in triangle brackets. The brackets are not sent with the command string. You must specify a value for the parameter (such as "VOLT:DC:RANG 10").

Some parameters are enclosed in *square brackets ([])*. The brackets indicate that the parameter is optional and can be omitted. The brackets are not sent with the command string. If you do not specify a value for an optional parameter, the instrument chooses a default value.

Command Separators

A *colon* (:) is used to separate a command keyword from a lower-level keyword. You must insert a *blank space* to separate a parameter from a command keyword. If a command requires more than one parameter, you must separate adjacent parameters using a *comma* as shown below:

```
"CONF:VOLT:DC 10, 0.003"
```

A *semicolon* (;) is used to combine commands into one message string, and can also minimize typing. For example, sending the following command string:

```
"TRIG:SOUR EXT; COUNT 10"
```

... is the same as sending the following two commands:

```
"TRIG:SOUR EXT"  
"TRIG:COUNT 10"
```

Use a colon *and* a semicolon to link commands from *different* subsystems. For example, in the following command string, an error is generated if you do not use both the colon *and* semicolon:

```
"ROUT:CHAN:DELAY 1;:TRIG:SOUR EXT"
```

Using the *MIN* and *MAX* Parameters

You can substitute *MIN*imum or *MAX*imum in place of a parameter for many commands. For example, consider the following command:

```
VOLTage:DC:RANGE {<range>|MINimum|MAXimum}[ , (@<ch_list>)]
```

Instead of selecting a specific range, you can substitute *MIN* to set the range to its minimum value or *MAX* to set the range to its maximum value.

Querying Parameter Settings

You can query the current value of most parameters by adding a *question mark* (?) to the command. For example, the following command sets the scan count to 10 sweeps:

```
"TRIG:COUN 10"
```

You can query the scan count value by executing:

```
"TRIG:COUN?"
```

You can also query the minimum or maximum scan count allowed as follows:

```
"TRIG:COUN? MIN"  
"TRIG:COUN? MAX"
```

SCPI Command Terminators

A command string sent to the instrument may be terminated with a *<new line>* character. The IEEE-488 *EOI* (end-or-identify) message can be used to terminate a command string in place of a *<new line>* character. A *<carriage return>* followed by a *<new line>* is also accepted. Command string termination will *always* reset the current SCPI command path to the root level.

IEEE-488.2 Common Commands

The IEEE-488.2 standard defines a set of *common commands* that perform functions like factory reset, self-test, and status operations. Common commands always begin with an asterisk (*), are four to five characters in length, and may include one or more parameters. The command keyword is separated from the first parameter by a *blank space*. Use a *semicolon* (;) to separate multiple commands as shown below:

```
"*RST; *CLS; *ESE 32; *OPC?"
```

SCPI Parameter Types

The SCPI language defines several different data formats to be used in program messages and response messages.

Numeric Parameters Commands that require numeric parameters will accept all commonly used decimal representations of numbers including optional signs, decimal points, and scientific notation. Special values for numeric parameters like `MINimum`, `MAXimum`, and `DEFault` are also accepted. You can also send engineering unit suffixes with numeric parameters (e.g., M, K, or u). If only specific numeric values are accepted, the instrument will automatically round the input numeric parameters. The following command uses a numeric parameter:

```
VOLTage:DC:RANGe {<range>|MINimum|MAXimum}[ , (@<ch_list>)]
```

Discrete Parameters Discrete parameters are used to program settings that have a limited number of values (like `BUS`, `IMMediate`, `EXTernal`). They have a short form and a long form just like command keywords. You can mix upper- and lower-case letters. Query responses will *always* return the short form in all upper-case letters. The following command uses discrete parameters:

```
UNIT:TEMPerature {C|F|K}[ , (@<ch_list>)]
```

Boolean Parameters Boolean parameters represent a single binary condition that is either true or false. For a false condition, the instrument will accept “OFF” or “0”. For a true condition, the instrument will accept “ON” or “1”. When you query a boolean setting, the instrument will *always* return “0” or “1”. The following command uses a boolean parameter:

```
INPut:IMPedance:AUTO {OFF|ON}[ , (@<ch_list>)]
```

String Parameters String parameters can contain virtually any set of ASCII characters. A string *must* begin and end with matching quotes; either with a single quote or with a double quote. You can include the quote delimiter as part of the string by typing it twice without any characters in between. The following command uses a string parameter:

```
DISPlay:TEXT <quoted_string>
```

Channel List Parameters Channel list parameters specify one or more channel numbers on the module in the specified slot. The channel list must be preceded with the “@” symbol and enclosed in parentheses. The following command uses a *channel list* parameter:

```
ROUTe:CHANnel:DELay? (@<ch_list>)
```

- The following command configures a scan list to include only channel 10 on the module in slot 300.

```
ROUT:SCAN (@310)
```

- The following command configures a scan list to include multiple channels on the module in slot 200. The scan list now contains only channels 10, 12, and 15 (the scan list is redefined each time you send a new `ROUTe:SCAN` command).

```
ROUT:SCAN (@210,212,215)
```

- The following command configures a scan list to include a range of channels. When you specify a range of channels, the range may contain invalid channels (they are ignored), but the first and last channel in the range must be valid. The scan list now contains channels 5 through 10 (slot 100) and channel 15 (slot 200).

```
ROUT:SCAN (@105:110,215)
```

Using Device Clear

Device Clear is an IEEE-488 low-level bus message which you can use to return the instrument to a responsive state. Different programming languages and IEEE-488 interface cards provide access to this capability through their own unique commands. The status registers, the error queue, the alarm queue, and all configuration states are left unchanged when a Device Clear message is received. Device Clear performs the following actions.

- If a scan is running, it is aborted.
- The instrument returns to the scan trigger “idle state.”
- The instrument’s input and output buffers are cleared.
- The instrument is prepared to accept a new command string.


For RS-232 operation, sending the `<Ctrl-C>` character will perform the equivalent operations of the IEEE-488 Device Clear message.



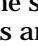
Note: The `ABORT` command is the recommended way to terminate a scan.

Error Messages

Error Messages

- Errors are retrieved in first-in-first-out (FIFO) order. The first error returned is the first error that was stored. Errors are cleared as you read them. When you have read all errors from the queue, the **ERROR** annunciator turns off and the errors are cleared. The instrument beeps once each time an error is generated.
- If more than 10 errors have occurred, the last error stored in the queue (the most recent error) is replaced with “*Error queue overflow*”. No additional errors are stored until you remove errors from the queue. If no errors have occurred when you read the error queue, the instrument responds with “*No error*”.
- The error queue is cleared by the *CLS (clear status) command or when power is cycled. The errors are also cleared when you read the queue. The error queue *is not* cleared by a Factory Reset (*RST command) or an Instrument Preset (SYSTEM:PRESet command).
- *Front-Panel Operation:*

 ERRORS

If the **ERROR** annunciator is on, press  to view the errors. Use the knob to scroll through the error numbers. Press  to view the text of the error message. Press  again to increase the scrolling speed (the final key press cancels the scroll). All errors are cleared when you exit the menu.

- *Remote Interface Operation:*

SYSTEM:ERROR? *Read and clear one error from the queue*

Errors have the following format (the error string may contain up to 80 characters):

-113, "Undefined header"

Execution Errors

- 101 Invalid character**
An invalid character was found in the command string. You may have used an invalid character such as #, {, \$, or % in the command header or within a parameter. *Example:* CONF:VOLT:DC {@101}
- 102 Syntax error**
Invalid syntax was found in the command string. You may have inserted a blank space before or after a colon in the command header, or before a comma. Or you may have omitted the "@" character in the channel list syntax.
Examples: ROUT:CHAN: DELAY 1 *or* CONF:VOLT:DC (101)
- 103 Invalid separator**
An invalid separator was found in the command string. You may have used a comma instead of a colon, semicolon, or blank space – or you may have used a blank space instead of a comma. *Examples:* TRIG:COUNT,1 *or* CONF:FREQ 1000 0.1
- 105 GET not allowed**
A Group Execute Trigger (GET) is not allowed within a command string.
- 108 Parameter not allowed**
More parameters were received than expected for this command. You may have entered an extra parameter or added a parameter to a command that does not require a parameter. *Example:* READ? 10
- 109 Missing parameter**
Fewer parameters were received than expected for this command. You have omitted one or more parameters that are required for this command. *Example:* ROUT:CHAN:DELAY
- 112 Program mnemonic too long**
A command header was received which contained more than the maximum 12 characters allowed. *Example:* CONFIGURATION:VOLT:DC
- 113 Undefined header**
A command was received that is not valid for this instrument. You may have misspelled the command or it may not be a valid command. If you are using the shortened form of this command, remember that it may contain up to four letters. Or you may have inserted an extra colon where one is not required.
Examples: TRIGG:COUN 3 *or* CONF:VOLT:DC: (@101)

- 114 Header suffix out of range**
A header suffix is the number that can be appended to the end of some command headers. This error is generated if an invalid number is used.
Example: OUTP:ALARM5:SOURCE ("5" is not a valid alarm number)
- 121 Invalid character in number**
An invalid character was found in the number specified for a parameter.
Example: TRIG:TIMER 12..34
- 123 Numeric overflow**
A numeric parameter was found whose exponent was too large for this command.
Example: CALC:SCALE:GAIN 1E34000
- 124 Too many digits**
A numeric parameter was found whose mantissa contained more than 255 digits, excluding leading zeros.
- 128 Numeric data not allowed**
The wrong parameter type was found in the command string. You may have specified a number where a string or expression was expected, or vice versa.
Examples: DISP:TEXT 5.0 or ROUT:CLOSE 101
- 131 Invalid suffix**
A suffix was incorrectly specified for a numeric parameter. You may have misspelled the suffix.
Example: ROUT:CHAN:DELAY 5 SECS
- 134 Suffix too long**
A header suffix is the number that can be appended to the end of some command headers. This error is generated if the header suffix contains more than 12 characters.
- 148 Character data not allowed**
A discrete parameter was received but a character string or a numeric parameter was expected. Check the list of parameters to verify that you have used a valid parameter type.
Examples: ROUTE:CLOSE CH101 or DISP:TEXT TESTING (the string must be enclosed in quotes)
- 151 Invalid string data**
An invalid character string was received. Check to see if you have enclosed the character string in quotation marks and verify that the string contains valid ASCII characters.
Example: DISP:TEXT 'TESTING (the ending quote is missing)
- 158 String data not allowed**
A character string was received but is not allowed for this command. Check the list of parameters to verify that you have used a valid parameter type.
Example: CALC:SCALE:STATE 'ON'

- 168** **Block data not allowed**
Data was sent to the instrument in SCPI *definite length block* format but this command does not accept this format. *Example:* SOUR:DIG:DATA #128
- 178** **Expression data not allowed**
A channel list was received but is not allowed for this command.
Example: SYST:CTYPE? (@100)
- 211** **Trigger ignored**
More than one trigger was received while the instrument was scanning. Triggers are occurring too frequently and you may need to slow them down. Also make sure that you have selected the proper trigger source.
- 213** **INIT ignored**
An INITiate command was received but could not be executed because a scan was already in progress. Send an ABORT command or bus Device Clear to stop a scan in progress.
- 214** **Trigger deadlock**
A trigger deadlock occurs when the trigger source is “BUS” and a READ? command is received.
- 221** **Settings conflict**
An invalid configuration was requested. This error is most commonly generated when setting alarm limits. Note that the lower limit must always be less than or equal to the upper limit, even if you are using only one of the limits. This error is also generated if you send the MEASure? or CONFIgure command with autorange enabled with a fixed resolution.
- 222** **Data out of range**
A numeric parameter value is outside the valid range for this command.
Example: TRIG:COUNT -3
- 223** **Too much data**
A character string was received but could not be executed because the string length was more than 12 characters. This error can be generated by the CAL:STRing and DISPlay:TEXT commands.
- 224** **Illegal parameter value**
A discrete parameter was received which was not a valid choice for this command. You may have used an invalid parameter choice.
Example: TRIG:SOURCE ALARM (ALARM is not a valid choice)

- 230 Data stale**
A FETCh? or DATA:REMOve? command was received but internal reading memory was empty. The readings retrieved may be invalid.
- 310 System error**
A firmware defect has been found. *This is not a fatal error but you should contact your nearest Hewlett-Packard Service Center if this error is reported.*
- 350 Error queue overflow**
The error queue is full because more than 10 errors have occurred. No additional errors are stored until you remove errors from the queue. The error queue is cleared by the *CLS (clear status) command or when power is cycled. The errors are also cleared when you read the queue.
- 410 Query INTERRUPTED**
A command was received which sends data to the output buffer, but the output buffer contained data from a previous command (the previous data is not overwritten). The output buffer is cleared when power has been off or after a bus Device Clear.
- 420 Query UNTERMINATED**
The instrument was addressed to talk (i.e., send data over the interface) but a command has not been received which sends data to the output buffer. For example, you may have executed a CONFIgure command (which does not generate data) and then attempted to read data from the remote interface.
- 430 Query DEADLOCKED**
A command was received which generates too much data to fit in the output buffer and the input buffer is also full. Command execution continues but all data is lost.
- 440 Query UNTERMINATED after indefinite response**
The *IDN? command must be the last query command within a command string. The *IDN? command returns an indefinite length string which cannot be combined with any other query command.
*Example: *IDN? ; *STB?*

Instrument Errors

- 111 Channel list: slot number out of range**
The specified slot number is invalid. The channel number has the form (@*scc*), where *s* is the slot number (100, 200, or 300) and *cc* is the channel number. *Example:* CONF:VOLT:DC (@404)
- 112 Channel list: channel number out of range**
The specified channel number is invalid for the module in the selected slot. The channel number has the form (@*scc*), where *s* is the slot number (100, 200, or 300) and *cc* is the channel number. *Example:* ROUT:CLOSE (@134)
- 113 Channel list: empty scan list**
Before you can initiate a scan, you must set up a scan list which includes all configured multiplexer or digital channels in the instrument. Use the MEASure?, CONFIgure, or ROUTe:SCAN commands to set up your scan list.
- 201 Memory lost: stored state**
This error is reported at power-on to indicate that a stored state has become unusable. This error is most likely caused by a dead battery (memory is battery-backed). *Refer to the 34970A Service Guide to replace the internal battery.*
- 202 Memory lost: power-on state**
This error is reported at power-on to indicate that the power-down state of the instrument (normally recalled when power is turned on) has become unusable. This error is most likely caused by a dead battery (memory is battery-backed). *Refer to the 34970A Service Guide to replace the internal battery.*
- 203 Memory lost: stored readings**
This error is reported at power-on to indicate that readings stored in memory from a previous scan have been lost. This error is most likely caused by a dead battery (memory is battery-backed). *Refer to the 34970A Service Guide to replace the internal battery.*
- 204 Memory lost: time and date**
This error is reported at power-on to indicate that the time and date settings have been lost (they are reset to JAN 1, 1996 00:00:00). This error is most likely caused by a dead battery (memory is battery-backed). *Refer to the 34970A Service Guide to replace the internal battery.*

- 221 **Settings conflict: calculate limit state forced off**
If you plan to use scaling on a channel which will also use alarms, *be sure to configure the scaling values first*. This error is generated if you attempt to assign the alarm limits first and the instrument will turn off alarms and clear the limit values.
- 222 **Settings conflict: module type does not match stored state**
Before recalling a stored state, the instrument verifies that the same module types are installed in each slot. The instrument has detected a different module type in one or more slots.
- 223 **Settings conflict: trig source changed to IMM**
This error is generated if you attempt to set the channel advance source (ROUTE:CHAN:ADVance:SOURce command) to the same source used for the scan trigger (TRIGger:SOURce command). The command has been accepted and executed but the scan trigger source is reset to “IMMediate”.
- 224 **Settings conflict: chan adv source changed to IMM**
This error is generated if you attempt to set the scan trigger source (TRIGger:SOURce command) to the same source used for the channel advance source (ROUTE:CHAN:ADVance:SOURce command). The command has been accepted and executed but the channel advance source is reset to “IMMediate”.
- 225 **Settings conflict: DMM disabled or missing**
This command is valid only when the internal DMM is installed and enabled. Use the INSTRument:DMM? command to determine the state of the internal DMM. *For more information, see “Internal DMM Disable” on page 145.*
- 226 **Settings conflict: DMM enabled**
When the internal DMM is enabled, the ROUTe:CHAN:ADVance:SOURce and ROUTe:CHAN:FWIRE commands *are not* allowed. Use the INSTRument:DMM? command to determine the state of the internal DMM. *For more information, see “Internal DMM Disable” on page 145.*
- 251 **Unsupported temperature transducer type**
An invalid RTD or thermistor type has been specified. The following RTDs are supported: $\alpha = 0.00385$ (“85”) and $\alpha = 0.00391$ (“91”). The following thermistors are supported: 2.2 k Ω (“2252”), 5 k Ω (“5000”), and 10 k Ω (“10000”). *Example:* CONF:TEMP RTD,1,(@101)

- 261 Not able to execute while scan initiated**
While a scan is running, you cannot change any parameters that affect the scan (channel configuration, scan interval, scaling values, alarm limits, issue a Card Reset, or recall a stored state). To stop a scan in progress, send the `ABORt` command or a bus Device Clear.
- 271 Not able to accept unit names longer than 3 characters**
For `Mx+B` scaling, you can specify a custom label with up to three characters. You can use letters (A-Z), numbers (0-9), an underscore (`_`), or the `#` character which displays a degree symbol (`°`) on the front panel.
- 272 Not able to accept character in unit name**
For `Mx+B` scaling, you can specify a custom label with up to three characters. The first character must be a letter or the `#` character (the `#` character is allowed only as the leftmost character in the label). The remaining two characters can be letters, numbers, or an underscore.
- 281 Not able to perform on more than one channel**
You can perform this operation on only one channel at a time. Check the channel list that you sent with this command to see if it contains more than one channel. This error is generated by the `ROUTE:MON` and `DATA:LAST?` commands.
- 291 Not able to recall state: it is empty**
You can only recall a state from a location that contains a previously stored state. The state location that you attempted to recall is empty. The storage locations are numbered 0 through 5.
- 292 Not able to recall state: DMM enable changed**
The enable/disable state of the internal DMM has been changed since the instrument state was stored. Use the `INSTRument:DMM?` command to determine the state of the internal DMM. *For more information, see "Internal DMM Disable" on page 145.*
- 301 Module currently committed to scan**
When you add a multiplexer channel to a scan list, that entire module is dedicated to the scan. You cannot perform low-level close or open operations on any channels on that module (even those channels that are not configured). To stop a scan in progress, send the `ABORt` command or a bus Device Clear.

- 303 Module not able to perform requested operation**
A command was received which is not valid for the specified module. This error is most commonly generated when you send a command intended for the multifunction module to a switching module.
- 305 Not able to perform requested operation**
The requested operation is not valid for the specified channel. You may have tried to configure a channel for current measurements (valid only on channels 21 and 22 on the 34901A module). Or you may have tried to configure scaling on a module that does not connect to the internal DMM.
- 306 Part of a 4-wire pair**
For 4-wire resistance measurements, the instrument automatically pairs channel n with channel $n+10$ (34901A) or $n+8$ (34902A) to provide the source and sense connections. To change the configuration on the upper channel in a 4-wire pair, you must first reconfigure the lower channel to a measurement function other than 4-wire resistance.
- 307 Incorrectly configured ref channel**
For thermocouple measurements using an external reference, the instrument automatically reserves channel 01 on the multiplexer in the *lowest* slot as the reference channel. Before configuring a thermocouple channel with an external reference, you must configure the reference channel (channel 01) for a *thermistor* or *RTD* measurement.
- This error is also generated if you change the function on the reference channel (channel 01) after selecting the external reference source on a thermocouple channel.

- 501 **I/O processor: isolator framing error**
- 502 **I/O processor: isolator overrun error**
- 511 **Communications: RS-232 framing error**
- 512 **Communications: RS-232 overrun error**
- 513 **Communications: RS-232 parity error**
- 514 **RS-232 only: unable to execute using HP-IB**
There are three commands which are allowed only with the RS-232 interface: `SYSTem:LOCal`, `SYSTem:REMOte`, and `SYSTem:RWLock`.
- 521 **Communications: input buffer overflow**
- 522 **Communications: output buffer overflow**
- 532 **Not able to achieve requested resolution**
The instrument cannot achieve the requested measurement resolution. You may have specified an invalid resolution in the `CONFigure` or `MEASure?` command.
- 540 **Not able to null channel in overload**
The instrument cannot store an overload reading ($9.90000000E+37$) as the offset for `Mx+B` scaling using a null measurement.
- 550 **Not able to execute command in local mode**
The instrument has received a `READ?` or `MEASure?` command while in the local mode.

Self-Test Errors

The following errors indicate failures that may occur during a self-test. Refer to the *34970A Service Guide* for more information.

| | |
|-----|--|
| 601 | Self-test: front panel not responding |
| 602 | Self-test: RAM read/write |
| 603 | Self-test: A/D sync stuck |
| 604 | Self-test: A/D slope convergence |
| 605 | Self-test/Cal: not able to calibrate rundown gain |
| 606 | Self-test/Cal: rundown gain out of range |
| 607 | Self-test: rundown too noisy |
| 608 | Self-test: serial configuration readback |
| 609 | Self-test: DC gain x1 |
| 610 | Self-test: DC gain x10 |
| 611 | Self-test: DC gain x100 |
| 612 | Self-test: Ohms 500 nA source |
| 613 | Self-test: Ohms 5 uA source |
| 614 | Self-test: DC 300V zero |
| 615 | Self-test: Ohms 10 uA source |
| 616 | Self-test: DC current sense |
| 617 | Self-test: Ohms 100 uA source |
| 618 | Self-test: DC high voltage attenuator |
| 619 | Self-test: Ohms 1 mA source |
| 620 | Self-test: AC rms zero |
| 621 | Self-test: AC rms full scale |
| 622 | Self-test: frequency counter |
| 623 | Self-test: not able to calibrate precharge |
| 624 | Self-test: not able to sense line frequency |
| 625 | Self-test: I/O processor not responding |
| 626 | Self-test: I/O processor self-test |

Calibration Errors

The following errors indicate failures that may occur during a calibration. Refer to the *34970A Service Guide* for more information.

- 701 Cal: security disabled by jumper**
The calibration security feature has been disabled with a jumper inside the instrument. When applicable, this error will occur at power-on to alert you that the instrument is unsecured.
- 702 Cal: secured**
The instrument is secured against calibration.
- 703 Cal: invalid secure code**
You have entered an invalid calibration security code. You must use the same security code to unsecure the instrument that was used to secure it, and vice versa. The security code may contain up to 12 alphanumeric characters. The first character *must be* a letter, but the remaining characters can be letters, numbers, or an underscore (_). You do not have to use all 12 characters but the first character must always be a letter. *The security code is set to "HP034970" when the instrument is shipped from the factory.*
- 704 Cal: secure code too long**
The security code may contain up to 12 alphanumeric characters. A security code was received which contained more than 12 characters.
- 705 Cal: aborted**
A calibration in progress is aborted when you turn off the instrument or send a bus Device Clear.
- 706 Cal: value out of range**
The specified calibration value (CALibration:VALue) is not valid for the present measurement function and range.
- 707 Cal: signal measurement out of range**
The specified calibration value (CALibration:VALue) does not match the signal applied to the instrument.
- 708 Cal: signal frequency out of range**
The input signal frequency for an ac calibration does not match the required input frequency for this calibration.
- 709 Cal: no cal for this function or range**
You cannot perform calibrations for most ac current ranges, the 100 M Ω resistance range, and period.

| | |
|-----|--|
| 710 | Cal: full scale correction out of range |
| 720 | Cal: DCV offset out of range |
| 721 | Cal: DCI offset out of range |
| 722 | Cal: RES offset out of range |
| 723 | Cal: FRES offset out of range |
| 724 | Cal: extended resistance self cal failed |
| 725 | Cal: 300V DC correction out of range |
| 730 | Cal: precharge DAC convergence failed |
| 731 | Cal: A/D turnover correction out of range |
| 732 | Cal: AC flatness DAC convergence failed |
| 733 | Cal: AC low frequency convergence failed |
| 734 | Cal: AC low frequency correction out of range |
| 735 | Cal: AC rms converter noise correction out of range |
| 736 | Cal: AC rms 100th scale correction out of range |
| 740 | Cal data lost: secure state |
| 741 | Cal data lost: string data |
| 742 | Cal data lost: DCV corrections |
| 743 | Cal data lost: DCI corrections |
| 744 | Cal data lost: RES corrections |
| 745 | Cal data lost: FRES corrections |
| 746 | Cal data lost: AC corrections |
| 747 | Config data lost: HP-IB address |
| 748 | Config data lost: RS-232 |
| 749 | DMM relay count data lost |

Plug-In Module Errors

| | |
|-----|---|
| 901 | Module hardware: unexpected data received |
| 902 | Module hardware: missing stop bit |
| 903 | Module hardware: data overrun |
| 904 | Module hardware: protocol violation |
| 905 | Module hardware: early end of data |
| 906 | Module hardware: missing end of data |
| 907 | Module hardware: module srq signal stuck low |
| 908 | Module hardware: not responding |
| 910 | Module reported an unknown module type |
| 911 | Module reported command buffer overflow |
| 912 | Module reported command syntax error |
| 913 | Module reported nonvolatile memory fault |
| 914 | Module reported temperature sensor fault |
| 915 | Module reported firmware defect |
| 916 | Module reported incorrect firmware installed |

Application Programs

Application Programs

This chapter contains several example programs to help you develop programs for your specific measurement application. Chapter 5, “Remote Interface Reference,” starting on page 179, lists the syntax for the SCPI (*Standard Commands for Programmable Instruments*) commands available to program the 34970A.

The examples in this chapter have been tested on a PC running on Windows 95. The examples are written for use over the GPIB interface and require a VISA (*Virtual Instrument Software Architecture*) library for use with your GPIB interface card in your PC. You will want to make sure that you have the **visa32.dll** file in your *c:\windows\system* directory for the examples to work properly.

Note: *The GPIB (IEEE-488) address is set to “09” when the instrument is shipped from the factory. The examples in this chapter assume an GPIB address of 09.*

Example Programs for Excel 7.0

This section contains two example programs written using Excel macros (*Visual Basic® for Applications*) to control the 34970A. Using Excel, you can send SCPI commands to configure the instrument and then record measurement data on the Excel spreadsheet.

To write an Excel macro you must first open a module in Excel. Go to the **Insert** menu, choose *Macro*, and then *Module*. Name this module “Send Commands” by clicking on the tab with the right mouse button. Create another module and name it “Port Configuration”. You will use the “Port Configuration” module to configure all of the overhead required to communicate with the instrument over the interface. You will use the “Send Commands” module to send the SCPI commands to the instrument using the “Port Configuration” module.

Two Excel examples are included in this section. To enter the first example (“takeReadings”), type the text as shown on page 322 into the “Send Commands” module. Then type the text for configuring the interface as shown on page 323 into the “Port Configuration” module.

After entering the information for both modules, go to a spreadsheet and run the example program. Note that you must run the macro from a spreadsheet. With the cursor in the spreadsheet, select *Macro* from the **Tools** menu. Then double-click on the “takeReadings” macro in the Macro dialog box.

To run the second example (“ScanChannels”), type the text as shown on page 325 into the “Send Commands” module and reuse the “Port Configuration” module from the first example (page 323).

Make any changes necessary to suit your application in the “Send Commands” module. You must enter the information in the modules exactly as shown or an error will be generated. If several system errors occur while attempting to run a macro, you may have to reboot your PC to get the GPIB port to work properly.

Note: To use these examples with Windows® 3.1, you will need to modify the declarations at the top of the “Port Configuration” module. Change **visa32.dll** to **visa.dll** in all declarations.

Chapter 7 Application Programs

Example Programs for Excel 7.0

Excel 7.0 Example: takeReadings Macro

```

' *****
' This Excel Macro (Visual Basic) configures the 34970A for scanning with the 34901A,
' 34902A, or 34908A multiplexer modules. When this subroutine is executed, it will
' take the specified number of readings on the selected channel. You can easily modify the
' number of readings, channel delay, and channel number. To make these changes, modify the
' code in the section titled 'SET UP'. Note that you must have one of the above
' modules installed in slot 100 for this program to run properly. You must also have an
' GPIB interface card installed in your PC with the VISA or VTL library.
' *****
Option Explicit
Sub takeReadings()
    Columns(1).ClearContents
    Columns(2).ClearContents
    Dim I As Integer           ' Used for counter in For-Next loop
    Dim numberMeasurements As Integer ' Number of readings
    Dim measurementDelay As Single ' Delay between relay closure and measurement
    Dim points As Integer
    ' *****
    ' To change the GPIB address, modify the variable 'VISAaddr' below.
    VISAaddr = "9"
    OpenPort           ' Open communications on GPIB
    SendSCPI "RST"     ' Issue a Factory Reset to the instrument
    ' *****
    ' SET UP: Modify this section to select the number of readings, channel delay,
    ' and channel number to be measured.
    numberMeasurements = 10 ' Number of readings
    measurementDelay = 0.1 ' Delay (in secs) between relay closure and measurement
    ' Configure the function, range, and channel (see page 201 for more information).
    SendSCPI "CONF:VOLT:DC (@103)" ' Configure channel 103 for dc voltage
    ' *****
    ' Select channel delay and number of readings
    SendSCPI "ROUT:CHAN:DELAY " & Str$(measurementDelay)
    SendSCPI "TRIG:COUNT " & Str$(numberMeasurements)
    ' Set up the spreadsheet headings
    Cells(2, 1) = "Chan Delay:"
    Cells(2, 2) = measurementDelay
    Cells(2, 3) = "sec"
    Cells(3, 1) = "Reading #"
    Cells(3, 2) = "Value"

    SendSCPI "INIT" ' Start the readings and wait for instrument to put
    Do ' one reading in memory
        SendSCPI "DATA:POINTS?" ' Get the number of readings stored
        points = Val(getScpi())
    Loop Until points >= 1
    ' Remove one reading at a time from memory
    For I = 1 To numberMeasurements
        SendSCPI "DATA:REMOVE? 1" ' Request 1 reading from memory
        Cells(I + 3, 1) = I ' The reading number
        Cells(I + 3, 2) = Val(getScpi()) ' The reading value
        Do ' Wait for instrument to put another reading in memory
            SendSCPI "DATA:POINTS?" ' Get the number of readings stored
            points = Val(getScpi())
        Loop Until points >= 1 Or I >= numberMeasurements
    Next I
    ClosePort ' Close communications on GPIB
End Sub

```

Chapter 7 Application Programs Example Programs for Excel 7.0

Excel 7.0 Example: Port Configuration Macro

```
Option Explicit
' Declarations for VISA.DLL
' Basic I/O Operations
Private Declare Function viOpenDefaultRM Lib "VISA32.DLL" Alias "#141" (sesn As Long) As Long
Private Declare Function viOpen Lib "VISA32.DLL" Alias "#131" (ByVal sesn As Long, _
    ByVal desc As String, ByVal mode As Long, ByVal TimeOut As Long, vi As Long) As Long
Private Declare Function viClose Lib "VISA32.DLL" Alias "#132" (ByVal vi As Long) As Long
Private Declare Function viRead Lib "VISA32.DLL" Alias "#256" (ByVal vi As Long, _
    ByVal Buffer As String, ByVal Count As Long, retCount As Long) As Long
Private Declare Function viWrite Lib "VISA32.DLL" Alias "#257" (ByVal vi As Long, _
    ByVal Buffer As String, ByVal Count As Long, retCount As Long) As Long

' Error Codes
Global Const VI_SUCCESS = 0
' Global Variables
Global videfaultRM As Long ' Resource manager id for VISA GPIB
Global vi As Long ' Stores the session for VISA
Dim errorStatus As Long ' VTL error code
Global VISAaddr As String

' *****
' This routine requires the file 'VISA32.DLL' which typically resides in the
' c:\windows\system directory on your PC. This routine uses the VTL Library to send
' commands to the instrument. A description of these and additional VTL commands can be
' found in the Agilent VISA User's Guide.
' *****
Public Sub SendSCPI(SCPICmd As String)
' This routine sends a SCPI command string to the GPIB port. If the command is a
' query command (contains a question mark), you must read the response with 'getScpi'

    Dim commandstr As String ' Command passed to instrument
    Dim actual As Long ' Number of characters sent/returned

    'Write the command to the instrument terminated by a line feed
    commandstr = SCPICmd & Chr$(10)
    errorStatus = viWrite(vi, ByVal commandstr, Len(commandstr), actual)
End Sub

Function getScpi() As String
    Dim readbuf As String * 2048 ' Buffer used for returned string
    Dim replyString As String ' Store the string returned
    Dim nulpos As Integer ' Location of any nul's in readbuf
    Dim actual As Long ' Number of characters sent/returned

    ' Read the response string
    errorStatus = viRead(vi, ByVal readbuf, 2048, actual)
    replyString = readbuf
    ' Strip out any nul's from the response string
    nulpos = InStr(replyString, Chr$(0))
    If nulpos Then
        replyString = Left(replyString, nulpos - 1)
    End If
    getScpi = replyString
End Function
```

Continued on next page

7

Chapter 7 Application Programs

Example Programs for Excel 7.0

```
Sub OpenPort()  
' *****  
' Be sure that the GPIB address has been set in the 'VISAAddr' variable  
' before calling this routine.  
' *****  
' Open the VISA session  
errorStatus = viOpenDefaultRM(videfaultRM)  
' Open communications to the instrument  
errorStatus = viOpen(videfaultRM, "GPIB0:." & VISAAddr & "::' If an error occurs, give a message  
If errorStatus < VI_SUCCESS Then  
    Range("A2").Select  
    Cells(1, 1) = "Unable to Open Port"  
End If  
End Sub  
  
Sub ClosePort()  
errorStatus = viClose(vi)  
' Close the session  
errorStatus = viClose(videfaultRM)  
End Sub  
  
' *****  
' This subroutine is used to create delays. The input is in seconds and  
' fractional seconds are allowed.  
' *****  
Sub delay(delay_time As Single)  
    Dim Finish As Single  
    Finish = Timer + delay_time  
    Do  
    Loop Until Finish <= Timer  
End Sub
```

Chapter 7 Application Programs

Example Programs for Excel 7.0

Excel 7.0 Example: ScanChannels Macro

```

' *****
' This Excel Macro (Visual Basic) configures the 34970A for scanning with the 34901A,
' 34902A, or 34908A multiplexer modules. When this subroutine is executed, it will
' scan 5 channels and display the readings on a spreadsheet. You can easily modify the
' channels in the scan list, number of scans, channel delay, and scan delay. To make these
' changes, modify the code in the section titled 'SET UP'. Note that you must have one of
' the above modules installed in slot 100 for this program to run properly. You must also
' have an GPIB interface card installed in your PC with the VISA or VTL library.
' *****
Option Explicit
Sub ScanChannels()
    Dim columnIndex As Integer      ' The column number of the data
    Dim numberScans As Integer      ' "1" indicates the first data column
    Dim numberChannels As Integer   ' Total number of scans
    Dim ScanInterval As Single      ' Total number of scanned channels
    Dim points As Integer           ' Time interval in seconds between scans
    Dim replyString As String       ' Reading count in instrument memory
    Dim scanList As String          ' Store the string returned from instrument
    Dim channelDelay As Single      ' List of channels included in scan
    Dim Channel As Integer          ' Delay between relay closure and measurement
    Range("a1:ba40").ClearContents ' Clear the spreadsheet
    '
    ' To change the GPIB address, modify the variable 'VISAaddr' below.
    VISAaddr = "9"
    OpenPort          ' Open communications on GPIB
    SendSCPI " *RST"  ' Issue a Factory Reset to the instrument
    ' *****
    ' SET UP: Modify this section to select the scan interval, the scan count,
    ' and channel delay.
    '
    ' These are variables that are used to set the scan parameters
    ScanInterval = 10      ' Delay (in secs) between scans
    numberScans = 3        ' Number of scan sweeps to measure
    channelDelay = 0.1     ' Delay (in secs) between relay closure and measurement
    ' To delete channels from the scan list, modify the scan list string variable
    ' 'scanList' below. To add channels to the scan list, modify 'scanList' and then
    ' configure the channel using the CONFigure command.
    '
    ' 'scanList' is the list of channels in the scan list; note that this does not have
    ' to include all configured channels in the instrument.
    scanList = "@101,102,110:112"
    SendSCPI "CONF:TEMP TC,T,@101"      ' Configure channel 101 for temperature
    SendSCPI "CONF:TEMP TC,K,@102"      ' Configure channel 102 for temperature
    SendSCPI "CONF:TEMP THER,5000,@103"  ' Configure channel 103 for temperature
    SendSCPI "CONF:VOLT:DC (@110,111,112)" ' Configure three channels for dc volts
    ' *****
    SendSCPI "ROUTE:SCAN " & scanList    ' Select the list of channels to scan
    SendSCPI "ROUTE:SCAN:SIZE?"          ' Query the number of channels in scan list and
    numberChannels = Val(GetSCPI())       ' set variable equal to number of channels
    SendSCPI "FORMAT:READING:CHAN ON"    ' Return channel number with each reading
    SendSCPI "FORMAT:READING:TIME ON"    ' Return time stamp with each reading
    ' Set the delay (in seconds) between relay closure and measurement
    SendSCPI "ROUT:CHAN:DELAY " & Str$(channelDelay) & "," & scanList

```

Continued on next page

Chapter 7 Application Programs

Example Programs for Excel 7.0

```
' Set up the scan trigger parameters after configuring the channels in the scan list
' using the CONFIGure command. The following commands configure the scan interval.
SendSCPI "TRIG:COUNT " & Str$(numberScans)
SendSCPI "TRIG:SOUR TIMER"
SendSCPI "TRIG:TIMER " & Str$(ScanInterval)
Cells(2, 1) = "Start Time"          ' Put headings on spreadsheet
Cells(4, 1) = "Channel"            ' Put headings on spreadsheet

' Start the scan and retrieve the scan start time
SendSCPI "INIT;:SYSTEM:TIME:SCAN?"
replyString = GetSCPI()             ' Put time into string variable
' Convert the time to Excel format and put into cells B2 and C2
Cells(2, 2) = ConvertTime(replyString)
Cells(2, 3) = Cells(2, 2)
Cells(2, 3).NumberFormat = "d-mmm-yy" ' Format for date
Cells(2, 2).NumberFormat = "hh:mm:ss" ' Format for time
Range("a1:bal").ClearContents      ' Clear out row 1

' Step through the number of scan sweeps
For columnIndex = 1 To numberScans ' Start of scan data
  Do ' Wait for instrument to put a reading in memory
    SendSCPI "DATA:POINTS?"        ' Get the number of readings stored
    points = Val(GetSCPI())
  Loop Until points >= 1
  ' Remove one reading at a time from memory
  For Channel = 1 To numberChannels
    SendSCPI "DATA:REMOVE? 1"      ' Request one reading from memory
    Application.ScreenUpdating = False
    ' Get readings from buffer and store in cell A1
    Cells(1, 1) = GetSCPI()
    ' Parse the string in cell A1 and put into row '1'
    Range("a1").TextToColumns Destination:=Range("a1"), comma:=True
    ' Call routine to organize the data in row 1 into a table
    makeDataTable Channel, columnIndex
    Range("a1:bal").ClearContents ' Clear out row 1
    Application.ScreenUpdating = True
    Do ' Wait for instrument to put another reading in memory
      SendSCPI "DATA:POINTS?"      ' Get the number of readings stored
      points = Val(GetSCPI())
    Loop Until points >= 1 Or Channel >= numberChannels
  Next Channel
Next columnIndex
ClosePort                          ' Close communications on GPIB
End Sub
```

Continued on next page

Chapter 7 Application Programs

Example Programs for Excel 7.0

```
Sub makeDataTable(Channel As Integer, columnIndex As Integer)
' This routine will take the parsed data in row '1' for a channel and put it into a
' table. 'Channel' determines the row of the table and 'columnIndex' determines the
' column (scan sweep count).

' The number of comma-delimited fields returned per channel is determined by the
' FORmAT:READING commands. The number of fields per channel is required to locate
' the data in row 1. In this example, there are three cells (fields) per channel.
' Set up the heading while scanning the first channel.
If Channel = 1 Then
' Label the top of the data column and time stamp column
Cells(4, columnIndex * 2) = "Scan " & Str(columnIndex)
Cells(4, columnIndex * 2).Font.Bold = True
Cells(3, columnIndex * 2 + 1) = "time stamp"
Cells(4, columnIndex * 2 + 1) = "min:sec"
End If
' Get channel number, put in column 'A' for first scan only
If columnIndex = 1 Then
Cells(Channel + 4, 1) = Cells(1, 3)
End If
' Get the reading data and put into the column
Cells(Channel + 4, columnIndex * 2) = Cells(1, 1)
' Get the time stamp and put into the column to the right of data; to convert relative
' time to Excel time, divide by 86400.
Cells(Channel + 4, columnIndex * 2 + 1) = Cells(1, 2) / 86400
Cells(Channel + 4, columnIndex * 2 + 1).NumberFormat = "mm:ss.0"
End Sub

Function ConvertTime(TimeString As String) As Date
' This routine will take the string returned from the SYSTEM:TIME:SCAN? command and
' return a number compatible with the Excel format. When loaded into a cell, it can
' be formatted using the Excel 'Format' menu.
Dim timeNumber As Date      ' Decimal or time portion of the number
Dim dateNumber As Date     ' Integer or date portion of the number
Cells(1, 1).ClearContents
Cells(1, 1) = TimeString
Range("a1").TextToColumns Destination:=Range("a1"), comma:=True
dateNumber = DateSerial(Cells(1, 1), Cells(1, 2), Cells(1, 3))
timeNumber = TimeSerial(Cells(1, 4), Cells(1, 5), Cells(1, 6))
ConvertTime = dateNumber + timeNumber
End Function

Sub GetErrors()
' Call this routine to check for instrument errors. The GPIB address variable
' 'VISAaddr' must be set.
Dim DataString As String
OpenPort
SendSCPI "SYSTEM:ERROR?" ' Read one error from the error queue
Delay (0.1)
DataString = GetSCPI()
MsgBox DataString
ClosePort
End Sub
```

Example Programs for C and C++

The following C programming examples show you how to send and receive formatted I/O. For more information on non-formatted I/O, refer to the Agilent VISA *User's Guide*. The examples in this section show you how to use the SCPI commands for the instrument with the VISA functionality and does not include error trapping. Error trapping, however, is good programming practice and is recommended for your application. For more information on error trapping, refer to the Agilent VISA *User's Guide*.

The example programs are written in Microsoft® Visual C++ Version 1.52 using project type “QuickWin application”, and using the large memory model. Be sure to have access in the project to **visa.lib** or **visa32.lib** usually found in the *c:\vxipnp* or *c:\visa* directory.

Chapter 7 Application Programs

Example Programs for C and C++

C / C++ Example: dac_out.c

```
/* dac_out.c
*****
* Required: 34907A Multifunction Module in slot 200; VISA library      *
* This program uses the VISA library to communicate with the 34970A.  *
* The program queries slot 200 and displays the response. It then resets *
* the instrument and sends the value 'voltage' to the DAC on channel 205. *
*****/

#include <visa.h>
#include <stdio.h>
#include <string.h>
#define ADDR "9"                /* Set GPIB address for instrument */

void main ()
{
    ViSession defaultRM;        /* Resource manager id */
    ViSession dac;              /* Identifies instrument */
    char reply_string [256];    /* String returned from instrument */
    char Visa_address[40];      /* VISA address sent to module */
    double voltage;             /* Value of voltage sent to DAC */

    /* Build the address required to open communication with GPIB card.
       The address format looks like this "GPIB0::9::INSTR". */
    strcpy(Visa_address,"GPIB0::");
    strcat(Visa_address, ADDR);
    strcat(Visa_address, "::INSTR");

    /* Open communication (session) with the 34970A */

    viOpenDefaultRM (&defaultRM);
    viOpen (defaultRM, Visa_address,VI_NULL,VI_NULL, &dac);

    /* Query the module id in slot 200; Read response and print. */
    viPrintf (dac, "SYST:CTYPE? 200\n");
    viScanf (dac, "%s", &reply_string);
    printf("Instrument identification string:\n  %s\n\n", reply_string);

    viPrintf (dac, "**RST\n"); /* Set power-on condition */
    voltage = 5; /* Set variable to voltage setting */
    viPrintf (dac, "SOURCE:VOLTAGE %f,@205\n",voltage); /* Set output voltage */
    /* Close communication session */
    viClose (dac);
    viClose (defaultRM);
}
```

Chapter 7 Application Programs

Example Programs for C and C++

C / C++ Example: stat_reg.c

```
/* stat_reg.c
/*****
* Required: VISA library. *
* This program demonstrates the use of the 34970A Status Registers *
* for an alarm and Operation Complete (OPC) and for enabling and receiving *
* an SRQ interrupt. This program also shows how to configure a scan for *
* 10 readings on one channel. *
*****/

#include <visa.h>
#include <stdio.h>
#include <string.h>

ViSession defaultRM; /* Resource manager id */
ViSession DataAcqu; /* Variable to identify an instrument */
char reply_string [256]= {0}; /* string returned from instrument */
double volt [10];
int index, count;
int srqFlag = {0};

/* Function prototypes for SRQ handler */
ViStatus _VI_FUNCH SRQ_handler(ViSession DataAcqu, ViEventType eventType,
ViEvent context,ViAddr userHdlr);

void main ()
{
/* Open communication with DataAcqu using GPIB address "9" */
viOpenDefaultRM (&defaultRM);
viOpen (defaultRM,"GPIB0::9::INSTR",VI_NULL,VI_NULL, &DataAcqu);

/* Reset instrument to power-on and clear the Status Byte */
viPrintf (DataAcqu, "**RST;*CLS\n");

/* Configure the Status Registers to generate an interrupt whenever an alarm
is detected on Alarm 1 or when the operation is complete */
viPrintf (DataAcqu, "STATUS:ALARM:ENABLE 1\n"); /* Enable Alarm 1 */
viPrintf (DataAcqu, "**ESE 1\n"); /* Enable the Operation Complete bit */
/* Enable Status Byte Register bit 1 (2) and 5 (32) for SRQ */
viPrintf (DataAcqu, "**SRE 34\n");
/* Enable the interrupt handler for SRQ from the instrument */
viInstallHandler(DataAcqu, VI_EVENT_SERVICE_REQ, SRQ_handler, (ViAddr)10);
viEnableEvent(DataAcqu,VI_EVENT_SERVICE_REQ, VI_HNDLR, VI_NULL);
/* Configure the instrument to take 10 dc voltage readings on channel 103.
Set the alarm and set SRQ if the voltage is greater than 5 volts.*/
viPrintf (DataAcqu, "CONF:VOLT:DC 10,(@103)\n");
viPrintf (DataAcqu, "TRIG:SOURCE TIMER\n");
viPrintf (DataAcqu, "TRIG:TIMER 1\n");
viPrintf (DataAcqu, "TRIG:COUNT 10\n");
viPrintf (DataAcqu, "CALC:LIMIT:UPPER 5,(@103)\n");
viPrintf (DataAcqu, "CALC:LIMIT:UPPER:STATE ON,(@103)\n");
viPrintf (DataAcqu, "OUTPUT:ALARM1:SOURCE (@103)\n");
viPrintf (DataAcqu, "INIT;*OPC\n");
/* Wait for the instrument to complete its operations so waste time
and stay in the program in case there is an SRQ */
```

Continued on next page

Chapter 7 Application Programs

Example Programs for C and C++

```

do{ /* Stay in loop until the srqFlag goes negative */
    index = 1;
    for (count = 0; count <45; count++)
        {
            index = 0;
            printf(".");
        }
    printf(" srq flag = %d\n",srqFlag);
}
while (srqFlag>=0); /* A negative srqFlag indicates scan is done */
/* The instrument is done, so close the SRQ handler */
viDisableEvent(DataAcqu,VI_EVENT_SERVICE_REQ,VI_HNDLR);
viUninstallHandler (DataAcqu,VI_EVENT_SERVICE_REQ,SRQ_handler,(ViAddr)10);

viPrintf (DataAcqu,"FETCH?\n"); /* Get all the readings */
viScanf(DataAcqu,"%i,10lf",&volt); /* Put readings into an array */
for (index = 0;index<10;index++){ /* Print the readings */
    printf("reading %d = %lf\n",index+1,volt[index]);
}

viClose (DataAcqu); /* Close the communication port */
viClose (defaultRM);
}

/* This function will be called when the instrument interrupts the controller with
an SRQ for alarm and/or Operation Complete */
ViStatus _VI_FUNCN SRQ_handler(ViSession DataAcqu, ViEventType eventType,
ViEvent context,ViAddr userHdlr)
{
    ViUInt16 statusByte;
    viReadSTB(DataAcqu,&statusByte); /* Read status byte register and clear SRQ */
    /* Bit 6 (64) indicates this SRQ is for our instrument, bit 1 (2) indicates
    an alarm, and bit 5 (32) indicates the standard event register;
    so alarm 64+2=66; OPC 64+32=96; both 64+32+2=98 */
    if ((statusByte==66)|(statusByte==98)){
        srqFlag = 1; /* Set flag to indicate this is an alarm */
        viPrintf (DataAcqu,"STATUS:ALARM:EVENT?\n"); /* Check and clear alarm */
        viScanf(DataAcqu,"%s",&reply_string);
        printf("alarm event; bit = %s\n",reply_string);
    }
    if ((statusByte==96)|(statusByte==98)){
        srqFlag = -1; /* Set flag to indicate end of operation */
        viPrintf (DataAcqu,"ESR?\n"); /* Check and clear ESR bit */
        viScanf(DataAcqu,"%s",&reply_string);
        printf("Standard Event Register; bit %s\n",reply_string);
    }
    return VI_SUCCESS;
}

```

Tutorial

Tutorial

This chapter describes methods that you can use to reduce errors that can affect your measurements. You will also find information to help you better understand how the 34970A makes measurements and what you can do to get the best results. This chapter is divided into the following sections:

- System Cabling and Connections, *starting on page 335*
- Measurement Fundamentals, *starting on page 343*
- Low-Level Signal Multiplexing, *starting on page 378*
- Actuators and General-Purpose Switching, *starting on page 384*
- Matrix Switching, *starting on page 388*
- RF Signal Multiplexing, *starting on page 390*
- Multifunction Module, *starting on page 392*
- Relay Life and Preventative Maintenance, *starting on page 399*

System Cabling and Connections

This section describes methods to reduce measurement errors that can be introduced by your system cabling. Many system cabling errors can be reduced or eliminated by selecting the proper cable and grounding scheme for your system.

Cable Specifications

A wide variety of general-purpose and custom cables are available. The following factors influence the type of cable that you choose.

- *Signal Requirements* – such as voltage, frequency, accuracy, and measurement speed.
- *Interconnection Requirements* – such as wire sizes, cable lengths, and cable routing.
- *Maintenance Requirements* – such as intermediate connectors, cable terminations, strain relief, cable lengths, and cable routing.

Cables are specified in a variety of ways. Be sure to check the following specifications for the cable type you intend to use (continued on the following page).

- *Nominal Impedance (insulation resistance)* – Varies with the frequency of the input signal. Check for HI-to-LO, channel-to-channel, and HI- or LO-to-shield. High frequency RF applications have exact requirements for cable impedance.
- *Dielectric Withstand Voltage* – Must be high enough for your application.

WARNING

To prevent electrical shock or equipment damage, insulate all channels to the highest potential in the system. It is recommended that you use wire with 600 V rated insulation.

- **Cable Resistance** – Varies with wire gauge size and cable length. Use the largest gauge wire possible and try to keep the cable lengths as short as possible to minimize the cable resistance. The following table lists typical cable resistance for copper wire of several gauge sizes (the temperature coefficient for copper wire is 0.35% per °C).

| AWG | Ω /ft (2 conductors) at 25 °C |
|------|---|
| 14 | 5 m Ω |
| 16 | 10 m Ω |
| 18 | 15 m Ω |
| 20 * | 20 m Ω |
| 22 | 30 m Ω |
| 24 | 50 m Ω |

* Recommended wire size for the screw terminals on 34970A plug-in modules.

- **Cable Capacitance** – Varies with the insulation type, cable length, and cable shielding. Cables should be kept as short as possible to minimize cable capacitance. In some cases, low-capacitance cable can be used.

The table below lists *typical* cable specifications.

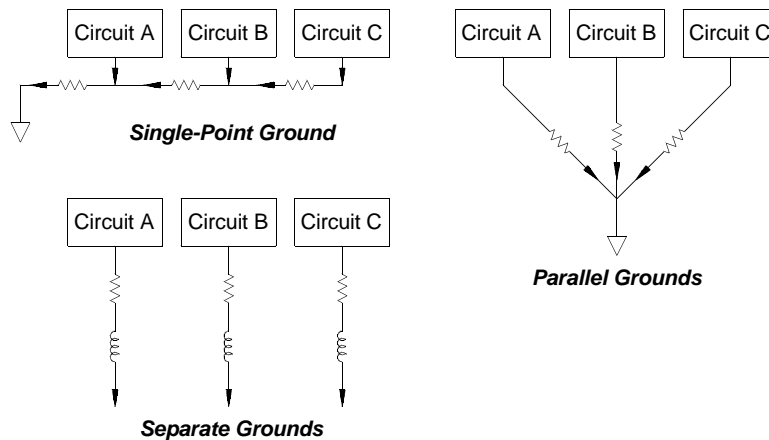
| Cable Type | Nominal Impedance | Capacitance | Attenuation |
|-----------------------|---------------------------------------|----------------|------------------------------|
| Twisted Pair | 100 Ω at 1 MHz | 10 to 20 pF/ft | Up to 1 dB/100 ft at 1 MHz |
| Shielded Twisted Pair | 100 Ω at 1 MHz | 10 to 20 pF/ft | Up to 1 dB/100 ft at 1 MHz |
| Coaxial | 50 Ω or 75 Ω at 100 MHz | 15 to 25 pF/ft | Up to 6 dB/100 ft at 100 MHz |
| Twisted Pair Ribbon | 100 Ω at 1 MHz | 15 to 20 pF/ft | Up to 1 dB/100 ft at 1 MHz |

Grounding Techniques

One purpose of grounding is to avoid ground loops and minimize noise. Most systems should have at least three separate ground returns.

1. One ground for signals. You may also want to provide separate signal grounds between high-level signals, low-level signals, and digital signals.
2. A second ground is used for noisy hardware such as relays, motors, and high-power equipment.
3. A third ground is used for chassis, racks, and cabinets. The ac power ground should generally be connected to this third ground.

In general, for frequencies below 1 MHz or for low-level signals, use single-point grounding (*see below*). Parallel grounding is superior but is also more expensive and more difficult to wire. If single-point grounding is adequate, the most critical points (those with the lowest levels and/or the most precise measurement requirements) should be positioned near the primary ground point. For frequencies above 10 MHz, use the separate grounding system. For signals between 1 MHz and 10 MHz, you can use a single-point system if the longest ground return path is kept to less than $1/20$ of a wavelength. In all cases, return-path resistance and inductance should be minimized.

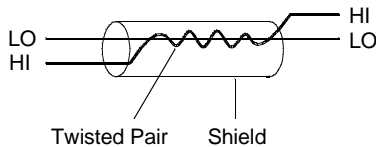


Shielding Techniques

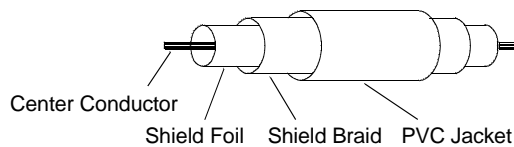
Shielding against noise must address both capacitive (electrical) and inductive (magnetic) coupling. The addition of a grounded shield around the conductor is highly effective against capacitive coupling. In switching networks, this shielding often takes the form of coaxial cables and connectors. For frequencies above 100 MHz, double-shielded coaxial cable is recommended to maximize shielding effectiveness.

Reducing loop area is the most effective method to shield against magnetic coupling. Below a few hundred kilohertz, twisted pairs may be used against magnetic coupling. Use shielded twisted pair for immunity from magnetic and capacitive pickup. For maximum protection below 1 MHz, make sure that the shield *is not* one of the signal conductors.

Recommended Low-Frequency Cable:
Shielded twisted pair



Recommended High-Frequency Cable:
Double-shielded coaxial cable



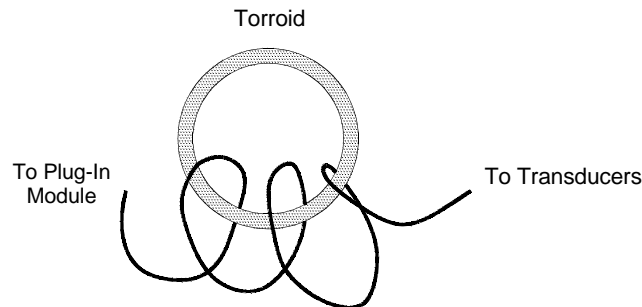
Separation of High-Level and Low-Level Signals

Signals whose levels exceed a 20-to-1 ratio should be physically separated as much as possible. The entire signal path should be examined including cabling and adjacent connections. All unused lines should be grounded (or tied to LO) and placed between sensitive signal paths. When making your wiring connections to the screw terminals on the module, be sure to wire *like* functions on adjacent channels.

Sources of System Cabling Errors

Radio Frequency Interference Most voltage-measuring instruments can generate false readings in the presence of large, high-frequency signals. Possible sources of high-frequency signals include nearby radio and television transmitters, computer monitors, and cellular telephones. High-frequency energy can also be coupled to the internal DMM on the system cabling. To reduce the interference, try to minimize the exposure of the system cabling to high-frequency RF sources.

If your application is extremely sensitive to RFI radiated from the instrument, use a common mode choke in the system cabling as shown below to attenuate instrument emissions.



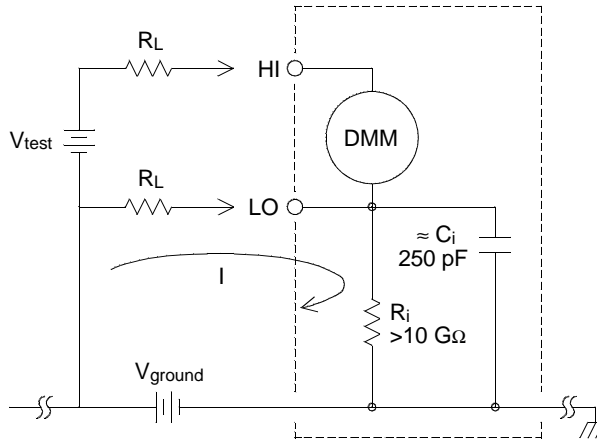
Thermal EMF Errors Thermoelectric voltages are the most common source of error in low-level dc voltage measurements. Thermoelectric voltages are generated when you make circuit connections using dissimilar metals at different temperatures. Each metal-to-metal junction forms a *thermocouple*, which generates a voltage proportional to the junction temperature difference. You should take the necessary precautions to minimize thermocouple voltages and temperature variations in low-level voltage measurements. The best connections are formed using copper-to-copper crimped connections. The table below shows common thermoelectric voltages for connections between dissimilar metals.

| Copper-to- | Approx. $\mu\text{V}/^\circ\text{C}$ |
|--------------------|--------------------------------------|
| Copper | <0.3 |
| Gold | 0.5 |
| Silver | 0.5 |
| Brass | 3 |
| Beryllium Copper | 5 |
| Aluminum | 5 |
| Kovar or Alloy 42 | 40 |
| Silicon | 500 |
| Copper-Oxide | 1000 |
| Cadmium-Tin Solder | 0.2 |
| Tin-Lead Solder | 5 |

Noise Caused by Magnetic Fields If you are making measurements near magnetic fields, you should take precautions to avoid inducing voltages in the measurement connections. Voltage can be induced by either movement of the input connection wiring in a fixed magnetic field or by a varying magnetic field. An unshielded, poorly dressed input wire moving in the earth's magnetic field can generate several millivolts. The varying magnetic field around the ac power line can also induce voltages up to several hundred millivolts. You should be especially careful when working near conductors carrying large currents.

Where possible, you should route cabling away from magnetic fields. Magnetic fields are commonly present around electric motors, generators, televisions, and computer monitors. Also make sure that your input wiring has proper strain relief and is tied down securely when operating near magnetic fields. Use twisted-pair connections to the instrument to reduce the noise pickup loop area, or dress the wires as close together as possible.

Noise Caused by Ground Loops When measuring voltages in circuits where the internal DMM and the device-under-test are both referenced to a common earth ground, a *ground loop* is formed. As shown below, any voltage difference between the two ground reference points (V_{ground}) causes a current to flow through the LO measurement lead. This causes an error voltage (V_L) which is added to the measured voltage.



Where:

R_L = Lead resistance

R_i = DMM isolation resistance

C_i = DMM isolation capacitance

V_{ground} = Ground noise voltage

I = Current flow caused by $V_{\text{ground}} = \frac{V_{\text{ground}}}{R_L + Z}$

$Z \approx Z_{C_i} = \frac{1}{2\pi f C} \approx 10 \text{ M}\Omega$ at 50 or 60 Hz

$V_L = I \times R_L$

To minimize ground loop errors:

- If V_{ground} is a *dc voltage*, keep R_L small compared to R_i .
- If V_{ground} is an *ac voltage*, keep R_L small compared to Z , and set the DMM's integration time to 1 PLC or greater (see page 103 for a discussion of integration time).

Low-Level AC Measurement Errors When measuring ac voltages less than 100 mV, be aware that these measurements are especially susceptible to errors introduced by extraneous noise sources. An exposed test lead will act as an antenna and the internal DMM will measure the signals received. The entire measurement path, including the power line, act as a loop antenna. Circulating currents in the loop will create error voltages across any impedances in series with the instrument's input. For this reason, you should apply low-level ac voltages to the instrument through shielded cables. You should also connect the shield to the input LO terminal.

Be sure to minimize the area of any ground loops that cannot be avoided. A high-impedance source is more susceptible to noise pickup than a low-impedance source. You can reduce the high-frequency impedance of a source by placing a capacitor in parallel with the instrument's input terminals. You may have to experiment to determine the correct capacitance value for your application.

Most extraneous noise is not correlated with the input signal. You can determine the error as shown below.

$$\text{Voltage Measured} = \sqrt{V_{\text{in}}^2 + \text{Noise}^2}$$

Correlated noise, while rare, is especially detrimental. Correlated noise will always add directly to the input signal. Measuring a low-level signal with the same frequency as the local power line is a common situation that is prone to this error.

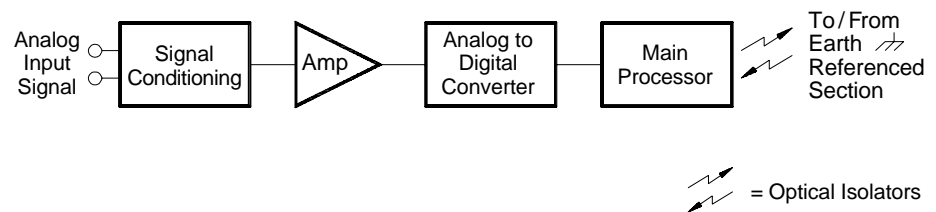
You should use caution when switching high-level and low-level signals on the same module. It is possible that high-level charged voltages may be discharged onto a low-level channel. It is recommended that you either use two different modules or separate the high-level signals from the low-level signals with an unused channel connected to ground.

Measurement Fundamentals

This section explains how the 34970A makes measurements and discusses the most common sources of error related to these measurements.

The Internal DMM

The internal DMM provides a universal input front-end for measuring a variety of transducer types without the need for additional external signal conditioning. The internal DMM includes signal conditioning, amplification (or attenuation), and a high resolution (up to 22 bits) analog-to-digital converter. A simplified diagram of the internal DMM is shown below. *For complete details on the operation of the internal DMM, refer to "Measurement Input" on page 60.*



The internal DMM can directly make the following types of measurements. Each of these measurements is described in the following sections of this chapter.

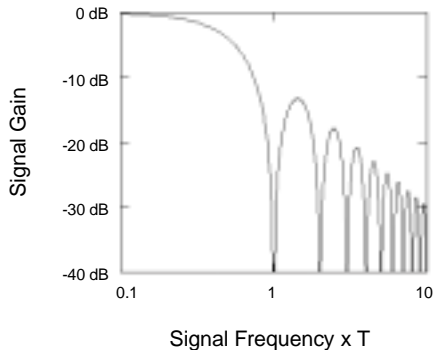
- Temperature (thermocouple, RTD, and thermistor)
- Voltage (dc and ac up to 300V)
- Resistance (2-wire and 4-wire up to 100 M Ω)
- Current (dc and ac up to 1A)
- Frequency and Period (up to 300 kHz)

Rejecting Power-Line Noise Voltages A desirable characteristic of an integrating analog-to-digital (A/D) converter is its ability to reject spurious signals. Integrating techniques reject power-line related noise present with dc signals on the input. This is called *normal mode rejection* or NMR. Normal mode noise rejection is achieved when the internal DMM measures the average of the input by “integrating” it over a fixed period. If you set the integration time to a whole number of power line cycles (PLCs) of the spurious input, these errors (and their harmonics) will average out to approximately zero.

When you apply power to the internal DMM, it measures the power-line frequency (50 Hz or 60 Hz), and uses this measurement to determine the integration time. The table below shows the noise rejection achieved with various configurations. For better resolution and increased noise rejection, select a longer integration time.

| PLCs | Digits | Bits | Integration Time 60 Hz (50 Hz) | NMR |
|------|--------|------|-----------------------------------|--------|
| 0.02 | 4½ | 15 | 400 µs (400 µs) | 0 dB |
| 0.2 | 5½ | 18 | 3 ms (3 ms) | 0 dB |
| 1 | 5½ | 20 | 16.7 ms (20 ms) | 60 dB |
| 2 | 6½ | 21 | 33.3 ms (40 ms) | 90 dB |
| 10 | 6½ | 24 | 167 ms (200 ms) | 95 dB |
| 20 | 6½ | 25 | 333 ms (400 ms) | 100 dB |
| 100 | 6½ | 26 | 1.67 s (2 s) | 105 dB |
| 200 | 6½ | 26 | 3.33 s (4 s) | 110 dB |

The following graph shows the attenuation of ac signals measured in the dc voltage function for various A/D integration time settings. Note that signal frequencies at multiples of 1/T exhibit high attenuation.



Temperature Measurements

A temperature transducer measurement is typically either a resistance or voltage measurement converted to an equivalent temperature by software conversion routines inside the instrument. The mathematical conversion is based on specific properties of the various transducers. The mathematical conversion accuracy (not including the transducer accuracy) for each transducer type is shown below.

| Transducer | Conversion Accuracy |
|--------------|---------------------|
| Thermocouple | 0.05 °C |
| RTD | 0.02 °C |
| Thermistor | 0.05 °C |

Errors associated with temperature measurements include all of those listed for dc voltage and resistance measurements elsewhere in this chapter. The largest source of error in temperature measurements is generally the transducer itself.

Your measurement requirements will help you to determine which temperature transducer type to use. Each transducer type has a particular temperature range, accuracy, and cost. The table below summarizes some typical specifications for each transducer type. Use this information to help select the transducer for your application. The transducer manufacturers can provide you with exact specifications for a particular transducer.

| Parameter | Thermocouple | RTD | Thermistor |
|------------------------|-------------------------------|-------------------------------|---------------------------------------|
| Temperature Range | -210°C to 1820°C | -200°C to 850°C | -80°C to 150°C |
| Measurement Type | Voltage | 2- or 4-Wire Ohms | 2- or 4-Wire Ohms |
| Transducer Sensitivity | 6 μ V/°C to 60 μ V/°C | $\approx R_0 \times 0.004$ °C | $\approx 400 \Omega / ^\circ\text{C}$ |
| Probe Accuracy | 0.5 °C to 5 °C | 0.01 °C to 0.1 °C | 0.1 °C to 1 °C |
| Cost (U.S. Dollars) | \$1 / foot | \$20 to \$100 each | \$10 to \$100 each |
| Durability | Rugged | Fragile | Fragile |

RTD Measurements An RTD is constructed of a metal (typically platinum) that changes resistance with a change in temperature in a precisely known way. The internal DMM measures the resistance of the RTD and then calculates the equivalent temperature.

An RTD has the highest stability of the temperature transducers. The output from an RTD is also very linear. This makes an RTD a good choice for high-accuracy, long-term measurements. The 34970A supports RTDs with $\alpha = 0.00385$ (DIN / IEC 751) using ITS-90 software conversions and $\alpha = 0.00391$ using IPTS-68 software conversions. "PT100" is a special label that is sometimes used to refer to an RTD with $\alpha = 0.00385$ and $R_0 = 100\Omega$.

The resistance of an RTD is nominal at 0 °C and is referred to as R_0 . The 34970A can measure RTDs with R_0 values from 49 Ω to 2.1 k Ω .

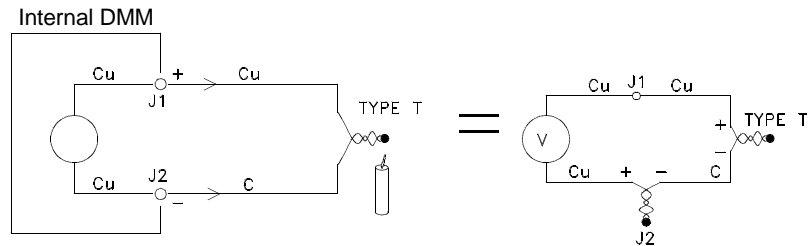
You can measure RTDs using a 2-wire or 4-wire measurement method. The 4-wire method (with offset compensation) provides the most accurate way to measure small resistances. Connection lead resistance is automatically removed using the 4-wire method.

Thermistor Measurements A thermistor is constructed of materials that non-linearly changes resistance with changes in temperature. The internal DMM measures the resistance of the thermistor and then calculates the equivalent temperature.

Thermistors have a higher sensitivity than thermocouples or RTDs. This makes a thermistor a good choice when measuring very small changes in temperature. Thermistors are, however, very non-linear, especially at high temperatures and function best below 100 °C.

Because of their high resistance, thermistors can be measured using a 2-wire measurement method. The internal DMM supports 2.2 k Ω (44004), 5 k Ω (44007), and 10 k Ω (44006) thermistors. The thermistor conversion routines used by the 34970A are compatible with the *International Temperature Scale of 1990* (ITS-90).

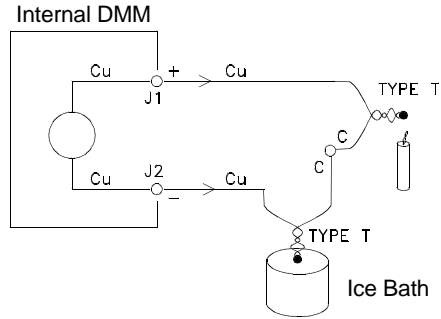
Thermocouple Measurements A thermocouple converts temperature to voltage. When two wires composed of dissimilar metals are joined, a voltage is generated. The voltage is a function of the *junction temperature* and the types of metals in the thermocouple wire. Since the temperature characteristics of many dissimilar metals are well known, a conversion from the voltage generated to the temperature of the junction can be made. For example, a voltage measurement of a T-type thermocouple (made of copper and constantan wire) might look like this:



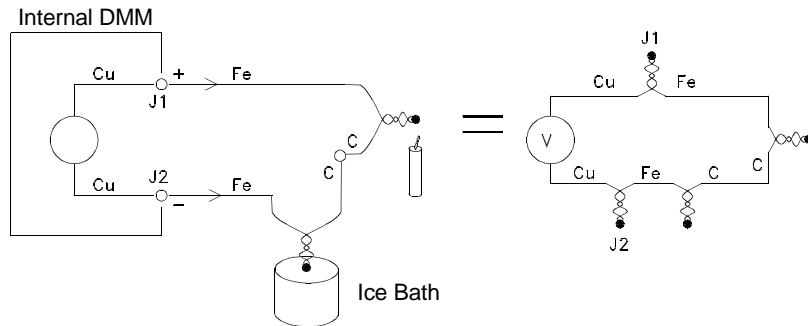
Notice, however, that the connections made between the thermocouple wire and the internal DMM make a second, unwanted thermocouple where the constantan (C) lead connects to the internal DMM's copper (Cu) input terminal. The voltage generated by this second thermocouple affects the voltage measurement of the T-type thermocouple.

If the temperature of the thermocouple created at J2 (the LO input terminal) is known, the temperature of the T-type thermocouple can be calculated. One way to do this is to connect two T-type thermocouples together to create only copper-to-copper connections at the internal DMM's input terminals, and to hold the second thermocouple at a known temperature.

An *ice bath* is used to create a known reference temperature (0 °C). Once the reference temperature and thermocouple type are known, the temperature of the measurement thermocouple can be calculated.

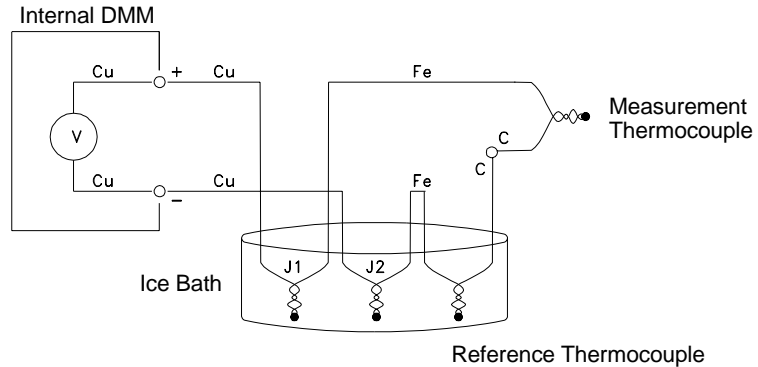


The T-type thermocouple is a unique case since one of the conductors (copper) is the same metal as the internal DMM's input terminals. If another type of thermocouple is used, two additional thermocouples are created. For example, take a look at the connections with a J-type thermocouple (iron and constantan):

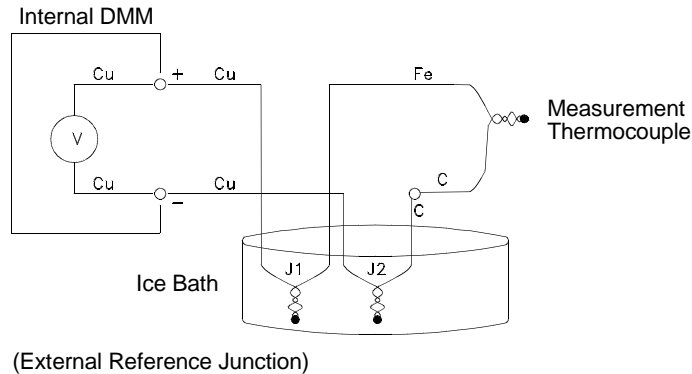


Two additional thermocouples have been created where the iron (Fe) lead connects to the internal DMM's copper (Cu) input terminals. Since these two junctions will generate opposing voltages, their effect will be to cancel each other. However, if the input terminals are not at the same temperature, an error will be created in the measurement.

To make a more accurate measurement, you should extend the copper test leads of the internal DMM closer to the measurement and hold the connections to the thermocouple at the same temperature.



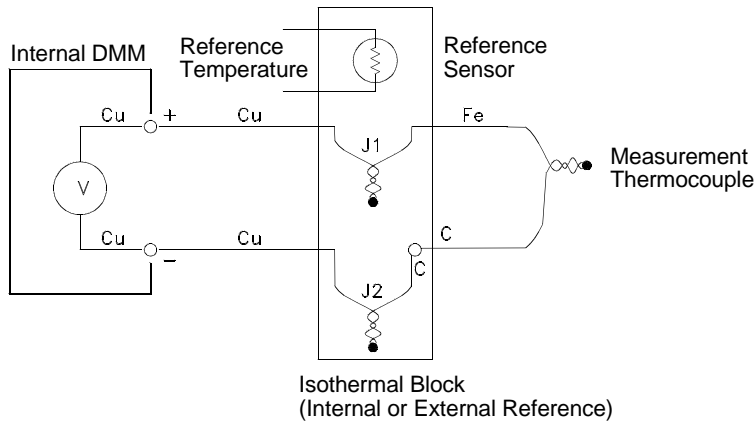
This circuit will give accurate temperature measurements. However, it is not very convenient to make two thermocouple connections and keep all connections at a known temperature. The *Law of Intermediate Metals* eliminates the need for the extra connection. This empirical law states that a third metal (iron (Fe) in this example) inserted between two dissimilar metals will have *no effect* upon the output voltage, provided the junctions formed are at the same temperature. Removing the reference thermocouple makes the connections much easier.



This circuit is the best solution for accurate thermocouple connections.

In some measurement situations, however, it would be nice to remove the need for an ice bath (or any other fixed external reference). To do this, an *isothermal block* is used to make the connections. An isothermal block is an electrical insulator, but a good heat conductor. The additional thermocouples created at J1 and J2 are now held at the same temperature by the isothermal block.

Once the temperature of the isothermal block is known, accurate temperature measurements can be made. A temperature sensor is mounted to the isothermal block to measure its temperature.



Thermocouples are available in a variety of types. The type is specified by a single letter. The table on the following page shows the most commonly used thermocouple types and some key characteristics of each.

Note: *The thermocouple conversion routines used by the 34970A are compatible with the International Temperature Scale of 1990 (ITS-90).*

Chapter 8 Tutorial
Measurement Fundamentals

Thermocouple Types

| T/C Type | Pos (+) Lead | Neg (-) Lead | Temperature Range | Probe Accuracy | Comments |
|---|---|---|-------------------|----------------|--|
| B U.S. British DIN Japanese French | Platinum-30% Rhodium Gray N/A Red Red N/A | Platinum-60% Rhodium Red N/A Gray Gray N/A | 250°C - 1820°C | ±0.5°C | High Temperature. Beware of contamination. Do not insert in metal tubes. |
| J U.S. British DIN Japanese French | Iron White Yellow Red Red Yellow | Constantan Red Blue Blue White Black | -210°C - 1200°C | ±1.1°C - 2.2°C | For vacuum, inert environments. Least expensive. Not recommended for low temperature. |
| K U.S. British DIN Japanese French | Nickel-Chromium Yellow Brown Red Red Yellow | Nickel-Aluminum Red Blue Green White Purple | -200°C - 1370°C | ±1.1°C - 2.2°C | For oxidizing environments. Good linearity above 8 °C. |
| T U.S. British DIN Japanese French | Copper Blue White Red Red Yellow | Constantan Red Blue Brown White Blue | -200°C - 400°C | ±0.5°C - 1°C | Withstands moisture. Has a copper lead. Low temperature applications. |
| E U.S. British DIN Japanese French | Nickel-Chromium Purple Brown Red Red Yellow | Constantan Red Blue Black White Blue | -200°C - 1000°C | ±1°C - 1.7°C | Highest output voltage. Highest resolution. |
| N U.S. British DIN Japanese French | Nicrosil Orange N/A N/A N/A N/A | Nisil Red N/A N/A N/A N/A | -200°C - 1300°C | ±1.1°C - 2.2°C | Superior stability to K type at higher temperatures. |
| R U.S. British DIN Japanese French | Platinum-13% Rhodium Black White Red Red Yellow | Rhodium Red Blue White White Green | -50°C - 1760°C | ±0.6°C - 1.5°C | High Temperature. Beware of contamination. Do not insert in metal tubes. |
| S U.S. British DIN Japanese French | Platinum-10% Rhodium Black White Red Red Yellow | Platinum Red Blue White White Green | -50°C - 1760 °C | ±0.6°C - 1.5°C | Low error, good stability. High temperature. Beware of contamination. Do not insert in metal tubes. |

Constantan = Copper-Nickel; Nicrosil = Nickel-Chromium-Silicon; Nisil = Nickel-Silicone-Magnesium; N/A = Not Available

Sources of Error in Thermocouple Measurements

Reference Junction Error A thermocouple is typically formed by welding or soldering two wires together to make the junction. Soldering introduces a third metal into the junction. Provided that both sides of the thermocouple are at the same temperature, the third metal has little effect.

Commercial thermocouples are welded using a capacitive-discharge technique. This technique is used to prevent overheating of the thermocouple wire near the junction and to prevent the diffusion of the welding gas and atmosphere into the thermocouple wire.

A poor weld or bad solder connection can also cause errors in a thermocouple measurement. Open thermocouple junctions can be detected by checking the resistance of the thermocouple. A resistance measurement of more than 5 k Ω typically indicates a defective thermocouple. The 34970A contains a built-in, automatic *thermocouple check* feature. If you enable this feature, the instrument measures the channel resistance after each thermocouple measurement to ensure a proper connection. *For more information on using the thermocouple check feature, see page 107.*

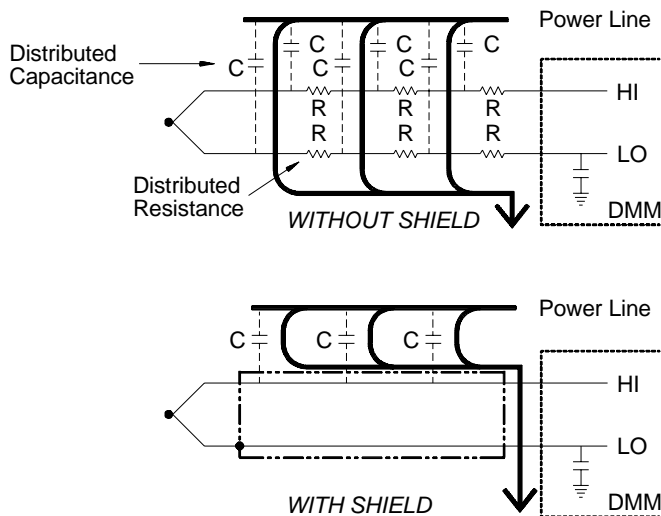
Diffusion Error Diffusion in a thermocouple wire is the process of changing the alloy type along the wire itself. Atmospheric particles can actually diffuse into the metal. These changes in the wire alloy introduce small voltage changes in the measurement. Diffusion is caused by exposure to high temperatures along the wire or by physical stress to the wire such as stretching or vibration.

Temperature errors due to diffusion are hard to detect since the thermocouple will still respond to temperature changes and give nearly correct results. The diffusion effects are usually detected as a drift in the temperature measurements.

Replacing a thermocouple which exhibits a diffusion error may not correct the problem. The extension wire and connections are all subject to diffusion. Examine the entire measurement path for signs of temperature extremes or physical stress. If possible, keep the temperature gradient across the extension wire to a minimum.

Shunt Impedance The insulation used for thermocouple wire and extension wire can be degraded by high temperatures or corrosive atmospheres. These breakdowns appear as a resistance in parallel with the thermocouple junction. This is especially apparent in systems using a small gauge wire where the series resistance of the wire is high.

Shielding Shielding reduces the effect of *common mode noise* on a thermocouple measurement. Common mode noise is generated by sources such as power lines and electrical motors. The noise is coupled to the unshielded thermocouple wires through distributed capacitance. As the induced current flows to ground through the internal DMM, voltage errors are generated along the distributed resistance of the thermocouple wire. Adding a shield to the thermocouple wire will shunt the common mode noise to earth ground and preserve the measurement.



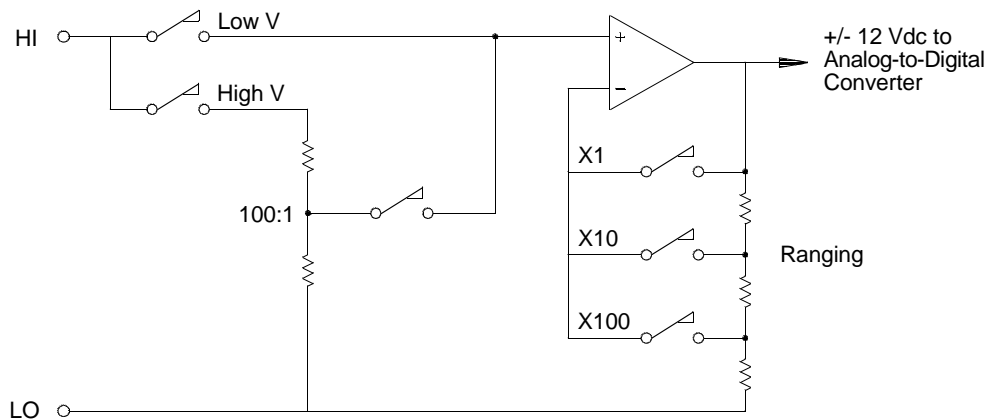
Common mode noise can dramatically affect the internal DMM. A typical thermocouple output is a few millivolts and a few millivolts of common mode noise can overload the input to the internal DMM.

Calculation Error An error is inherent in the way a thermocouple voltage is converted to a temperature. These calculation errors are typically very small compared to the errors of the thermocouple, wiring connections, and reference junction (see page 345).

DC Voltage Measurements

To make a useful dc meter, a “front-end” is required to condition the input before the analog-to-digital conversion. Signal conditioning increases the input resistance, amplifies small signals, and attenuates large signals to produce a selection of measuring ranges.

Signal Conditioning for DC Measurements Input signal conditioning for dc voltage measurements includes both amplification and attenuation. A simplified input to the internal DMM is shown below.



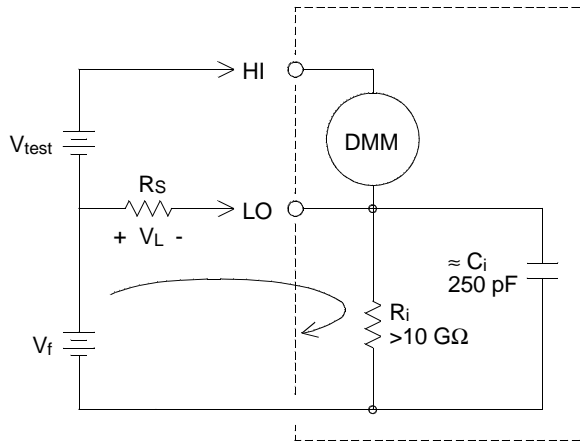
For input voltages less than 12 Vdc, the Low V switch is closed and applies the input signal directly to the input amplifier. For higher voltages, the High V switch is closed and the signal is attenuated 100:1 before being applied to the input amplifier. The input amplifier gain is set to one of three values (x1, x10, or x100) to yield a signal in the range of ± 12 Vdc for the analog-to-digital converter.

For the lower voltage ranges, the internal DMM's input resistance is essentially that of the input amplifier. The input amplifier uses a low-bias current (less than 50 pA) FET input stage yielding an input resistance greater than 10 G Ω . On the 100V and 300V input ranges, the input resistance is determined by the total resistance of the 100:1 divider. You can also set the input resistance to 10 M Ω by continuously closing the High V switch (*for more information on dc input resistance, see page 113*).

Sources of Error in DC Voltage Measurements

Common Mode Rejection Ideally, the internal DMM is completely isolated from earth-referenced circuits. However, there is finite resistance and capacitance between the input LO terminal and earth ground. If the input terminals are both driven by an earth-referenced signal (V_f) then a current will flow through R_S and create a voltage drop V_L as shown below.

Any resulting voltage (V_L) will appear as an input to the internal DMM. As the value of R_S approaches zero, so does the error. Additionally, if V_f is at the power line frequency (50 Hz or 60 Hz), the noise can be greatly reduced by setting the internal DMM's integration time to 1 PLC or greater (see page 103 for a discussion of integration time).

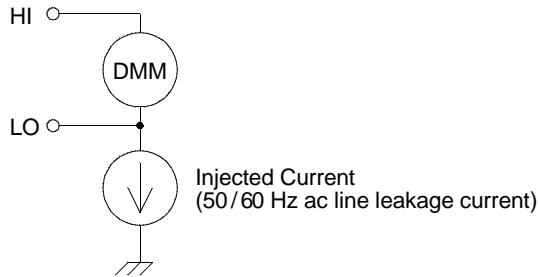


Where:

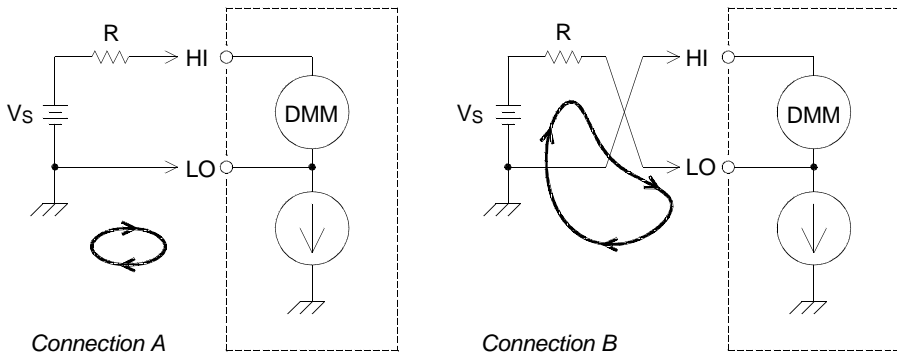
- V_f = Common mode float voltage
- R_S = LO lead resistance
- R_i = Isolation resistance
- C_i = Isolation capacitance
- Z_i = Parallel impedance of $R_i + C_i$

$$\text{Error } (V_L) = \frac{V_f \times R_S}{R_S + Z}$$

Noise Caused by Injected Current Residual capacitances in the instrument's power transformer cause small currents to flow from the LO terminal of the internal DMM to earth ground. The frequency of the "injected current" is the power line frequency or possibly harmonics of the power line frequency. The injected current is dependent upon the power line configuration and frequency. A simplified circuit is shown below.

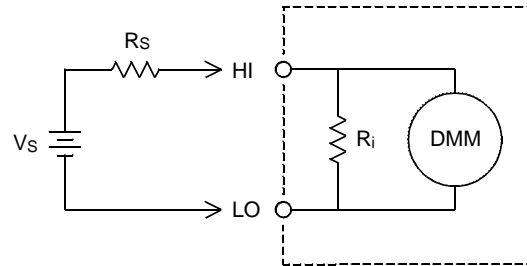


With *Connection A* (see below), the injected current flows from the earth connection provided by the circuit to the LO terminal of the internal DMM. This configuration adds no noise to the measurement. However, with *Connection B*, the injected current flows through the resistor R thus adding noise to the measurement. With *Connection B*, larger values of R will make the problem worse.



The measurement noise caused by injected current can be significantly reduced by setting the integration time of the internal DMM to 1 PLC or greater (see page 103 for a discussion of integration time).

Loading Errors Due to Input Resistance Measurement loading errors occur when the resistance of the device-under-test (DUT) is an appreciable percentage of the instrument's own input resistance. The diagram below shows this error source.



Where:

V_s = Ideal DUT voltage

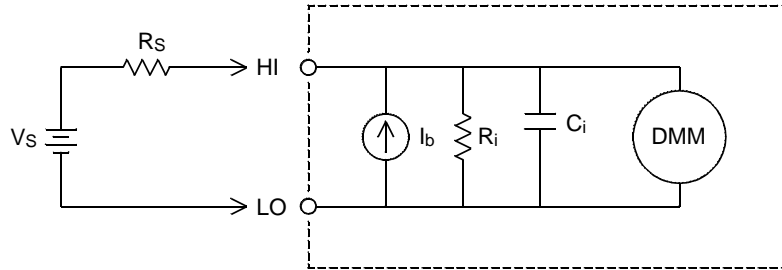
R_s = DUT source resistance

R_i = Input resistance (10 M Ω or >10 G Ω)

$$\text{Error (\%)} = \frac{-100 \times R_s}{R_s + R_i}$$

To minimize loading errors, set the DMM's dc input resistance to greater than 10 G Ω when needed (*for more information on dc input resistance, see page 113*).

Loading Errors Due to Input Bias Current The semiconductor devices used in the input circuits of the internal DMM have slight leakage currents called *bias currents*. The effect of the input bias current is a loading error at the internal DMM's input terminals. The leakage current will approximately double for every 10 °C temperature rise, thus making the problem much more apparent at higher temperatures.



Where:

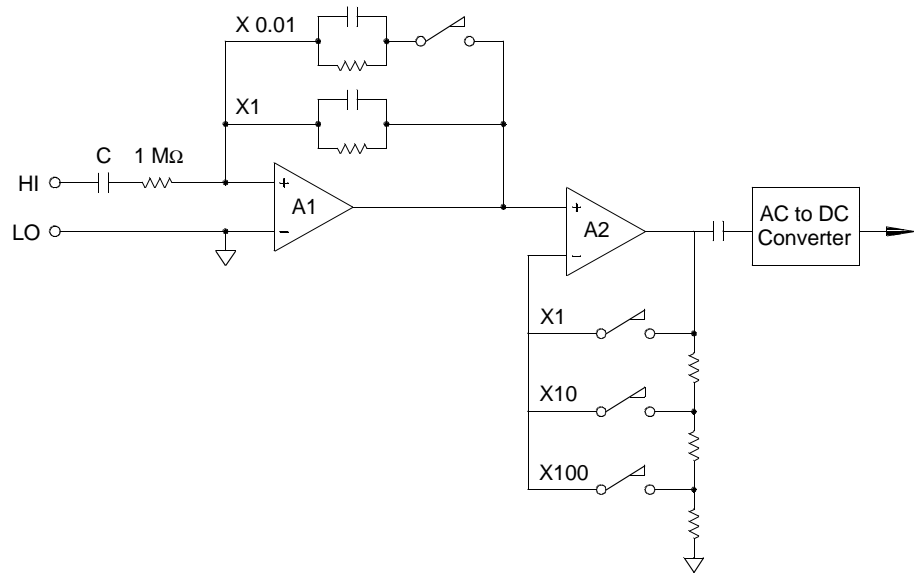
- I_b = DMM bias current
- R_s = DUT source resistance
- R_i = Input resistance (10 M Ω or >10 G Ω)
- C_i = DMM input capacitance

$$\text{Error (V)} = I_b \times R_s$$

AC Voltage Measurements

The main purpose of an ac “front end” is to change an ac voltage input into a dc voltage which can be measured by the ADC.



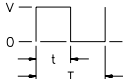
Signal Conditioning for AC Measurements Input signal conditioning for ac measurements includes both attenuation and amplification. An input coupling capacitor (C) blocks the dc portion of the input signal so that only the ac component is measured. Ranging is accomplished by combining signal attenuation from the first-stage amplifier and gain from the second-stage amplifier.



The first stage implements a high input impedance ($1\text{ M}\Omega$) switchable compensated attenuator. The second stage provides variable-gain signal amplification to scale the input to the ac converter to the full-scale level. Any residual dc offset from the attenuator and amplifier stages is blocked by a capacitor.

An ac voltage front end similar to the one discussed above is also used to measure ac current. Shunt resistors convert the ac current into an ac voltage which can then be measured. Current shunts are switched to provide selectable ac current ranges.

True RMS AC Measurements True RMS responding multimeters measure the “heating” potential of an applied voltage. Unlike an “average responding” measurement, a true RMS measurement is used to determine the power dissipated in a resistor. The power is proportional to the square of the measured true RMS voltage, independent of waveshape. An average responding ac multimeter is calibrated to read the same as a true RMS meter for *sinewave inputs only*. For other waveform shapes, an average responding meter will exhibit substantial errors as shown below.

| Waveform Shape | Crest Factor (C.F.) | AC RMS | AC+DC RMS | Average Responding Error |
|---|----------------------|--|-------------------|--------------------------|
|  | 1.414 | $\frac{V}{1.414}$ | $\frac{V}{1.414}$ | Calibrated for 0 error |
|  | 1.732 | $\frac{V}{1.732}$ | $\frac{V}{1.732}$ | -3.9% |
|  | $\sqrt{\frac{T}{t}}$ | $\frac{V}{C.F.} \times \sqrt{1 - \left(\frac{1}{C.F.}\right)^2}$ | $\frac{V}{C.F.}$ | -46% for C.F. = 4 |

The internal DMM’s ac voltage and ac current functions measure the ac-coupled true RMS value. This is in contrast to the ac+dc true RMS value shown above. Only the “heating value” of the ac component of the input waveform is measured (dc is rejected). For sinewaves, triangle waves, and square waves, the ac and ac+dc values are equal since these waveforms do not contain a dc offset. Non-symmetrical waveforms, such as pulse trains, contain dc voltages which are rejected by ac-coupled true RMS measurements.

An ac-coupled true RMS measurement is desirable in situations where you are measuring small ac signals in the presence of large dc offsets. For example, this situation is common when measuring ac ripple present on dc power supplies. There are situations, however, where you might want to know the ac+dc true RMS value. You can determine this value by combining results from dc and ac measurements as shown below. You should perform the dc measurement using at least 10 power line cycles of integration (6½ digit mode) for best ac rejection.

$$ac + dc = \sqrt{ac^2 + dc^2}$$

Making High-Speed AC Measurements The internal DMM's ac voltage and ac current functions implement three low-frequency filters. These filters allow you to trade-off low frequency accuracy for faster scanning speed. The *fast filter* settles in 0.12 seconds and is useful for measurements above 200 Hz. The *medium filter* settles in 1 second and is useful for measurements above 20 Hz. The *slow filter* settles in 7 seconds and is useful for measurements above 3 Hz.

With a few precautions, you can perform ac measurements at speeds up to 100 readings per second (use manual ranging to eliminate autoranging delays). By setting the preprogrammed channel settling delays to zero, each filter will allow up to 100 channels per second. However, the measurement might not be very accurate since the filter is not fully settled. In scanning applications where sample-to-sample levels vary widely, the medium filter (20 Hz) will settle at 1 reading per second, and the fast filter (200 Hz) will settle at 10 readings per second.

If the sample-to-sample levels are similar, little settling time is required for each new reading. Under this specialized condition, the medium filter (20 Hz) will provide reduced accuracy results at 5 readings per second, and the fast filter (200 Hz) will provide reduced accuracy results at 50 readings per second. Additional settling time may be required when the dc level varies from sample to sample.

The internal DMM's dc blocking circuitry has a settling time constant of 0.2 seconds. This settling time only affects measurement accuracy when dc offset levels vary from sample to sample. If maximum measurement speed is desired in a scanning system, you may want to add an external dc blocking circuit to those channels with significant dc voltages present. This circuit can be as simple as a resistor and a capacitor.

| AC Filter | Channel Delay | Settling Time |
|----------------|---------------|---------------|
| 200 Hz (Fast) | AUTO | 0.12 seconds |
| 20 Hz (Medium) | AUTO | 1 second |
| 3 Hz (Slow) | AUTO | 7 seconds |
| 200 Hz (Fast) | 0 | 0.02 seconds |
| 20 Hz (Medium) | 0 | 0.2 seconds |
| 3 Hz (Slow) | 0 | 1.5 seconds |

DC blocking settling time (1 time constant) = 0.2 seconds.

Sources of Error in AC Voltage Measurements

Many of the errors associated with dc voltage measurements also apply to ac voltage measurements. Additional errors unique to ac voltage measurements are described in this section.

Crest Factor Errors (non-sinusoidal inputs) A common misconception is that “since the internal DMM is true RMS, its sinewave accuracy specifications apply to all waveforms.” Actually, the shape of the input signal can dramatically affect measurement accuracy. A common way to describe signal waveshapes is *crest factor*. Crest factor is the ratio of the peak value to the RMS value of a waveform.

For a pulse train, for example, the crest factor is approximately equal to the square root of the inverse of the duty cycle as shown in the table on page 360. In general, the greater the crest factor the greater the energy contained in higher frequency harmonics. All multimeters exhibit measurement errors that are crest factor dependent. Crest factor errors are shown in the specifications in chapter 9 on page 407. Note that the crest factor errors *do not* apply for input signals below 100 Hz when using the *slow* ac filter.

You can estimate the measurement error due to signal crest factor as shown below:

$$\text{Total Error} = \text{Error}_{\text{sine}} + \text{Error}_{\text{crest factor}} + \text{Error}_{\text{bandwidth}}$$

Where:

$$\text{Error}_{\text{sine}} = \text{DMM's sinewave accuracy (see page 406)}$$

$$\text{Error}_{\text{crest factor}} = \text{DMM's crest factor (see page 407)}$$

$$\text{Error}_{\text{bandwidth}} = \text{Estimated bandwidth error as shown below:}$$

$$\text{Error}_{\text{bandwidth}} = \frac{-\text{C.F.}^2 \times \text{F}}{4 \pi \times \text{BW}}$$

Where:

$$\text{C.F.} = \text{Signal crest factor (see the table on page 360)}$$

$$\text{F} = \text{Fundamental input signal frequency}$$

$$\text{BW} = \text{DMM's -3 dB bandwidth (1 MHz for the 34970A)}$$

Example: Calculating Measurement Error

Calculate the approximate measurement error for a pulse train input with a crest factor of 3 and a fundamental frequency of 20 kHz. The internal DMM is set to the 1 V range. For this example, use the *90-day* accuracy specifications of $\pm(0.05\%$ of reading + 0.04% of range), as shown in chapter 9 on page 406.

$$\text{Error}_{\text{sine}} = \pm(0.05\% + 0.04\%) = \pm 0.09\%$$

$$\text{Error}_{\text{crest factor}} = 0.15\%$$

$$\text{Error}_{\text{bandwidth}} = \frac{-3^2 \times 20000}{4 \times 3.14159 \times 1000000} * 100 = 1.4\%$$

$$\text{Total Error} = 0.09\% + 0.15\% + 1.4\% = 1.6\%$$

AC Loading Errors In the ac voltage function, the input of the internal DMM appears as a 1 MΩ resistance in parallel with 150 pF of capacitance. The cabling that you use to connect signals to the instrument will also add additional capacitance and loading. The table below shows the approximate input resistance at various frequencies.

| Input Frequency | Input Resistance |
|-----------------|------------------|
| 100 Hz | 700 kΩ |
| 1 kHz | 600 kΩ |
| 10 kHz | 100 kΩ |
| 100 kHz | 10 kΩ |

For low frequencies:

$$\text{Error (\%)} = \frac{-100 \times R_s}{R_s + 1 \text{ M}\Omega}$$

Additional error for high frequencies:

$$\text{Error (\%)} = 100 \times \left[\frac{1}{\sqrt{1 + (2\pi \times F \times R_s \times C_{in})^2}} - 1 \right]$$

F = Input frequency

R_s = Source resistance

C_{in} = Input capacitance (150 pF) + Cable capacitance

Use low-capacitance cable when measuring high-frequency ac signals (see page 336).

Low-Level AC Measurement Errors When measuring ac voltages less than 100 mV, be aware that these measurements are especially susceptible to errors introduced by extraneous noise sources. An exposed test lead will act as an antenna and the internal DMM will measure the signals received. The entire measurement path, including the power line, act as a loop antenna. Circulating currents in the loop will create error voltages across any impedances in series with the instrument's input. For this reason, you should apply low-level ac voltages to the instrument through shielded cables. You should also connect the shield to the input LO terminal.

Be sure to minimize the area of any ground loops that cannot be avoided. A high-impedance source is more susceptible to noise pickup than a low-impedance source. You can reduce the high-frequency impedance of a source by placing a capacitor in parallel with the instrument's input terminals. You may have to experiment to determine the correct capacitance value for your application.

Most extraneous noise is not correlated with the input signal. You can determine the error as shown below.

$$\text{Voltage Measured} = \sqrt{V_{in}^2 + \text{Noise}^2}$$

Correlated noise, while rare, is especially detrimental. Correlated noise will always add directly to the input signal. Measuring a low-level signal with the same frequency as the local power line is a common situation that is prone to this error.

You should use caution when switching high-level and low-level signals on the same module. It is possible that high-level charged voltages may be discharged onto a low-level channel. It is recommended that you either use two different modules or separate the high-level signals from the low-level signals with an unused channel connected to ground.

Measurements Below Full Scale You can make the most accurate ac measurements when the internal DMM is at full scale of the selected range. Autoranging occurs at 10% and 120% of full scale. This enables you to measure some inputs at full scale on one range and 10% of full scale on the next higher range. Note that the measurement accuracy will be significantly different for the two cases. For highest accuracy, you should use *manual ranging* to select the lowest range possible for the measurement.

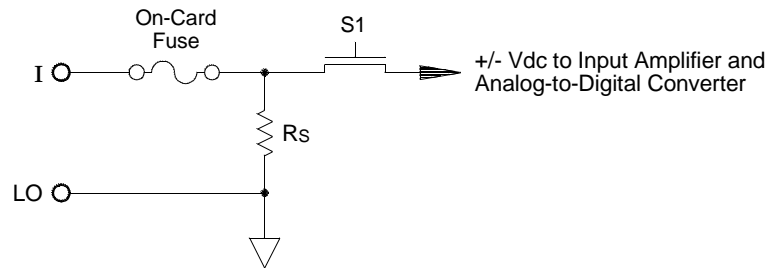
Temperature Coefficient and Overload Errors The internal DMM uses an ac measurement technique that periodically measures and removes internal offset voltages when you select a different function or range. When manual ranging to a new range in an *overload condition*, the internal offset measurement may be degraded for the selected range. Typically, an additional 0.01% of range error may be introduced. This additional error will remain until the next periodic removal (typically 15 minutes).

Current Measurements

Current measurements are allowed only on the 34901A module.

An ammeter senses the current flowing through its input connections – approximating a short circuit between its input terminals. An ammeter must be connected in series with the circuit or device being measured such that current flows through both the meter and the test circuit.

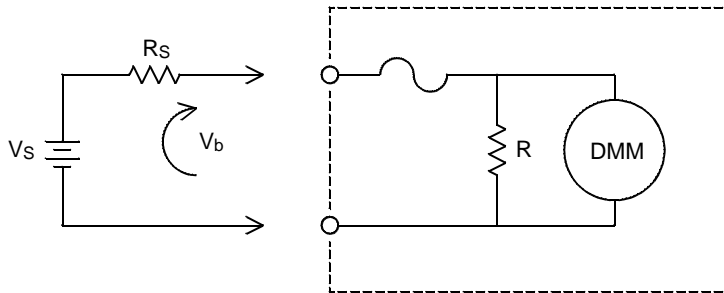
A resistor, R_s in the diagram below, is connected across the input terminals such that a voltage drop proportional to the input current is generated. The value of R_s is selected as low as possible to minimize the instrument's *burden voltage*, or IR drop. This voltage drop is sensed by the internal DMM and scaled to the proper current value to complete the measurement (*see the discussion on the following page*).



AC current measurements are very similar to dc current measurements. The output of the current-to-voltage sensor is measured by an ac voltmeter. The input terminals are direct coupled (ac+dc coupled) to the shunt so that the internal DMM maintains dc continuity in the test circuit. Performing ac current measurements demands additional care. The *burden voltage* (loading) varies with frequency and input inductance, often causing unexpected behavior in the test circuit (*see the discussion on the following page*).

Sources of Error in DC Current Measurements

When you connect the internal DMM in series with a test circuit to measure current, a measurement error is introduced. The error is caused by the DMM's series *burden voltage*. A voltage is developed across the wiring resistance and current shunt resistance of the internal DMM as shown below.



V_s = Source voltage
 R_s = Source resistance
 V_b = Burden voltage
 R = Current shunt resistance

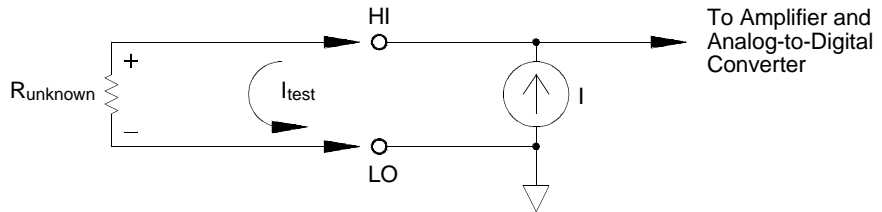
$$\text{Error (\%)} = \frac{-100 \% \times V_b}{V_s}$$

Sources of Error in AC Current Measurements

Burden voltage errors, which apply to dc current, also apply to ac current measurements. However, the burden voltage for ac current is larger due to the internal DMM's series inductance and the measurement connections. The burden voltage increases as the input frequency increases. Some circuits may oscillate when performing current measurements due to the internal DMM's series inductance and the measurement connections.

Resistance Measurements

An ohmmeter measures the dc resistance of a device or circuit connected to its input. Resistance measurements are performed by supplying a known dc current to an unknown resistance and measuring the dc voltage drop.

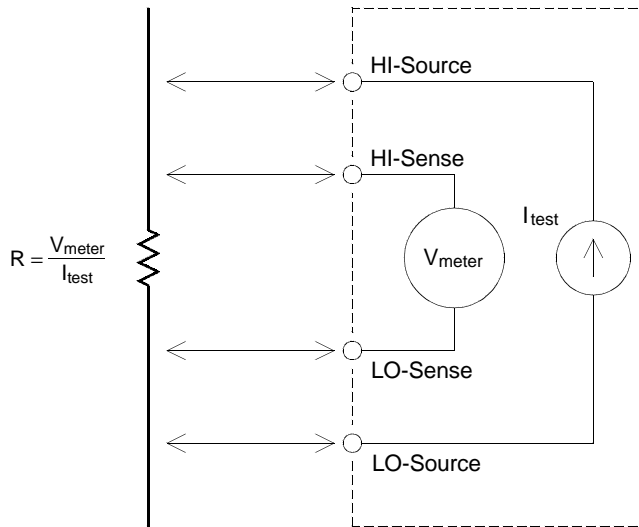


The internal DMM offers two methods for measuring resistance: *2-wire* and *4-wire* ohms. For both methods, the test current flows from the input HI terminal through the resistor being measured. For *2-wire* ohms, the voltage drop across the resistor being measured is sensed internal to the DMM. Therefore, test lead resistance is also measured. For *4-wire* ohms, separate “sense” connections are required. Since no current flows in the sense leads, the resistance in these leads does not give a measurement error.

4-Wire Ohms Measurements The *4-wire* ohms method provides the most accurate way to measure small resistances. Test lead, multiplexer, and contact resistances are automatically reduced using this method. The *4-wire* ohms method is often used in automated test applications where long cable lengths, input connections, and a multiplexer exist between the internal DMM and the device-under-test.

The recommended connections for *4-wire* ohms measurements are shown in the diagram on the following page. A constant current source, forcing current I through unknown resistance R , develops a voltage measured by a dc voltage front end. The unknown resistance is then calculated using *Ohm's Law*.

The 4-wire ohms method is used in systems where lead resistances can become quite large and variable and in automated test applications where cable lengths can be quite long. The 4-wire ohms method has the obvious disadvantage of requiring twice as many switches and twice as many wires as the 2-wire method. The 4-wire ohms method is used almost exclusively for measuring lower resistance values in any application, especially for values less than 10Ω and for high-accuracy requirements such as RTD temperature transducers.



Offset Compensation Most connections in a system use materials that produce small dc voltages due to dissimilar metal-to-metal contact (thermocouple effect) or electrochemical batteries (*for a description of the thermocouple effect, see page 340*). These dc voltages also add errors to resistance measurements. The offset-compensated measurement is designed to allow resistance measurements in the presence of small dc voltages.

Offset compensation makes two measurements on the circuit connected to the input channel. The first measurement is a conventional resistance measurement. The second is the same except the internal DMM's test current source is turned off (essentially a normal dc voltage measurement). The second measurement is subtracted from the first prior to scaling the result, thus giving a more accurate resistance measurement. *Refer to "Offset Compensation" on page 115 for more information.*

Offset compensation can be used for 2-wire or 4-wire ohms measurements (but not for RTD or thermistor measurements). The 34970A disables offset compensation when the measurement function is changed or after a Factory Reset (*RST command). An Instrument Preset (SYSTEM:PRESet command) or Card Reset (SYSTEM:CPON command) *does not* change the setting.

If the resistor being measured does not respond quickly to changes in current, offset compensation *will not* produce an accurate measurement. Resistors with very large inductances or resistors with large parallel capacitance would fall into this category. In these cases, the channel delay parameter can be increased to allow more settling time after the current source is switched on or off, or offset compensation can be turned off. *For more information on channel delay, see page 88.*

Sources of Error in Resistance Measurements

External Voltages Any voltages present in the system cabling or connections will affect a resistance measurement. The effects of some of these voltages can be overcome by using offset compensation (*as described on the previous page*).

Settling Time Effects The internal DMM has the ability to insert automatic measurement settling delays. These delays are adequate for resistance measurements with less than 200 pF of combined cable and device capacitance. This is particularly important if you are measuring resistances above 100 k Ω . Settling due to RC time constant effects can be quite long. Some precision resistors and multifunction calibrators use large parallel capacitances (1000 pF to 0.1 μ F) with high resistance values to filter out noise currents injected by their internal circuitry. Non-ideal capacitances due to dielectric absorption (soak) effects in cables and other devices may have much longer settling times than expected just by RC time constants. Errors will be measured when settling after the initial connection, after a range change, or when using offset compensation. You may need to increase the channel delay time before a measurement in these situations (*for more information on channel delay, see page 88*).

High-Resistance Measurement Errors When you are measuring large resistances, significant errors can occur due to insulation resistance and surface cleanliness. You should take the necessary precautions to maintain a “clean” high-resistance system. Test leads and fixtures are susceptible to leakage due to moisture absorption in insulating materials and “dirty” surface films. Nylon and PVC are relatively poor insulators (10⁹ ohms) when compared to PTFE Teflon[®] insulators (10¹³ ohms). Leakage from nylon or PVC insulators can easily contribute a 0.1% error when measuring a 1 M Ω resistance in humid conditions. The table below shows several common insulating materials and their typical resistances.

| Insulating Material | Resistance Range | Moisture Absorbing |
|----------------------------|--------------------------------|--------------------|
| Teflon [®] (PTFE) | 1 T Ω to 1 P Ω | N |
| Nylon | 1 G Ω to 10 T Ω | Y |
| PVC | 10 G Ω to 10 T Ω | Y |
| Polystyrene | 100 G Ω to 1 P Ω | N |
| Ceramic | 1 G Ω to 1 P Ω | N |
| Glass Epoxy (FR-4, G-10) | 1 G Ω to 10 T Ω | Y |
| Phenolic, Paper | 10 M Ω to 10 G Ω | Y |

Strain Gage Measurements

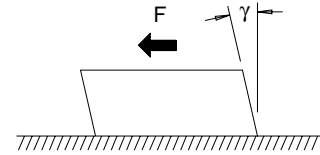
Although the instrument does not directly support strain measurements, you can measure a strain gage using a 4-wire resistance measurement with scaling. However, *BenchLink Data Logger* software has built-in strain gage measurement capability.

When a force is applied to a body, the body deforms. The deformation per unit length is called *strain* (ϵ). Strain may be either tensile (+) or compressive (-). Practical strain values are usually quite small (typically less than 0.005 inch/inch for most metals) and are often expressed in micro-strains ($\mu\epsilon$). There are three common types of strain measurements as shown below.

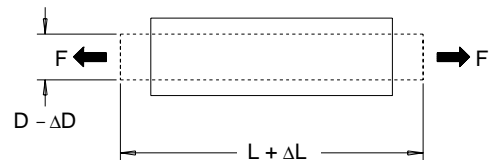
Normal Strain (ϵ) is a measure of the deformation along the axis of the applied force. $\epsilon = \Delta L/L$



Shearing Strain (γ) is a measure of the angular distortion of a body. It is approximated by the tangent of the angle formed by the angular change between two line segments that were parallel in the undeformed state.



Poisson Strain (ν) measures a property of materials known as the *Poisson Ratio*. It is the negative ratio of transverse and longitudinal normal strain when a body has a longitudinal tensile force applied. $\nu = -\epsilon_t / \epsilon$, where $\epsilon_t = \Delta D/D$ and $\epsilon = \Delta L/L$

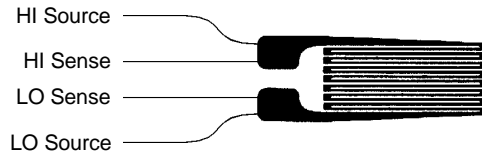


Stress Stress is a term used to compare the loading applied to a material with its ability to carry the load. Stress (σ) in a material can not be measured directly; it must be computed from material properties and measurable quantities such as strain and force.

Strain Sensors The metal foil resistance strain gage is by far the most widely used strain measurement sensor. It consists of a thin metallic foil grid bonded to a thin insulating, adhesive backing. The resistance of the foil varies linearly with strain. Strain in the test body is simply the ratio of the foil's strained to unstrained resistance: $\epsilon = \Delta R/R$.

The *Gage Factor* (GF) indicates the sensitivity of a strain gage and is a measure of the fractional resistance change per strain: $GF = (\Delta R/R)/\epsilon$. Devices with a higher gage factor will exhibit a greater resistance change per strain applied.

Strain gages are available in many patterns with various numbers and configurations of elements. The most common element is the single gage form shown below. Multi-element strain gages, also called *rosettes*, are used to measure components of strain in different directions. Two-element (90°) and three-element (45° or 60°) configurations are the most common.



Common Uses for Strain Gages Strain gages are used to sense many types of physical parameters. Strain gages are primarily a force-sensing device. Force is measured indirectly by measuring the deformation of a test body to a known applied force thus producing a resistance change proportional to the applied force. Many other physical quantities can be measured through force measurements. Common applications of strain gages include weight, pressure, flow, and level measurements.

Making Strain Gage Measurements A *Wheatstone bridge* is commonly used to enable instruments with low-sensitivity measuring capabilities to measure small resistance changes common in strain measurements. Instruments with high-resolution resistance measuring capabilities, like the 34970A internal DMM, can directly measure small resistance changes with high precision and linearity. You should also use the 4-wire resistance method when measuring strain gages to eliminate system cabling errors.

An initial, unstrained, gage resistance measurement is used as the reference (R_0) measurement from which strain ($\Delta R/R_0$) is measured. For best results, you should perform this reference measurement after the strain gage has been mounted to the test body. The table below shows the resistance changes corresponding to 1 $\mu\epsilon$ strain for common gage factor and unstrained gage resistance values.

| Strain | GF | R_0 | ΔR | DMM Sensitivity |
|-----------------|-----|---------------|-----------------|-------------------------------------|
| 1 $\mu\epsilon$ | 2.0 | 120 Ω | 0.24 m Ω | 0.1 m Ω (0.4 $\mu\epsilon$) |
| 1 $\mu\epsilon$ | 2.0 | 350 Ω | 0.70 m Ω | 1.0 m Ω (1.4 $\mu\epsilon$) |
| 1 $\mu\epsilon$ | 2.0 | 1000 Ω | 2.0 m Ω | 1.0 m Ω (0.5 $\mu\epsilon$) |

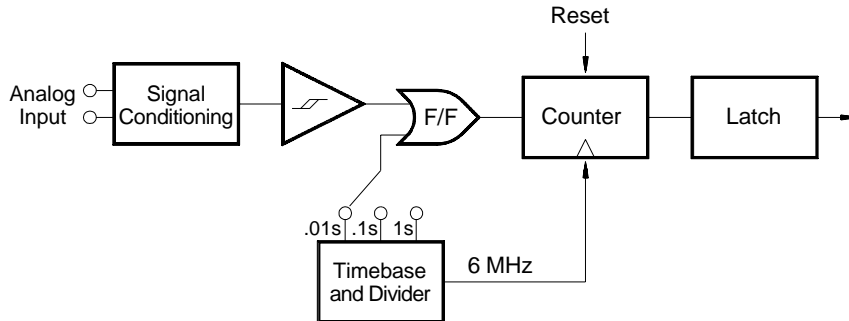
Using the $Mx+B$ scaling function with the equations shown below will allow you to display results directly in strain on the 34970A front-panel display. You can use a custom measurement label to display readings in “ μE ” (micro-strain) directly. The instrument will automatically add the micro (“ μ ”) prefix based upon actual calculated values. *For more information on scaling, see page 119.*

$$M = \frac{1}{GF \times R_0} \quad B = - \frac{1}{GF}$$

Temperature Effects The resistive element of a strain gage will produce a resistance change ΔR due to measured strain as well as changes in gage temperature. This will create an “apparent” strain change which is undesirable. A second gage of similar type can be used to detect temperature changes and thus remove this error source. You should mount the second gage in close proximity and at 90° to the first gage, thus responding to local temperature changes but rejecting strain changes. Subtracting measurements from the second gage will remove any undesirable strain errors.

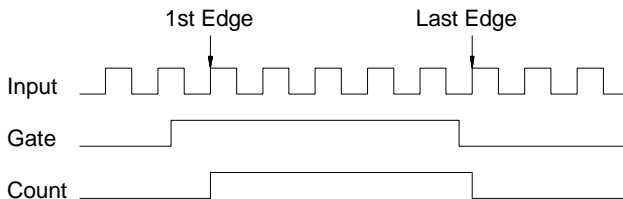
Frequency and Period Measurements

The internal DMM uses a reciprocal counting technique to measure frequency and period. This method generates constant measurement resolution for any input frequency. The internal DMM's ac voltage measurement section performs input signal conditioning for frequency and period measurements.



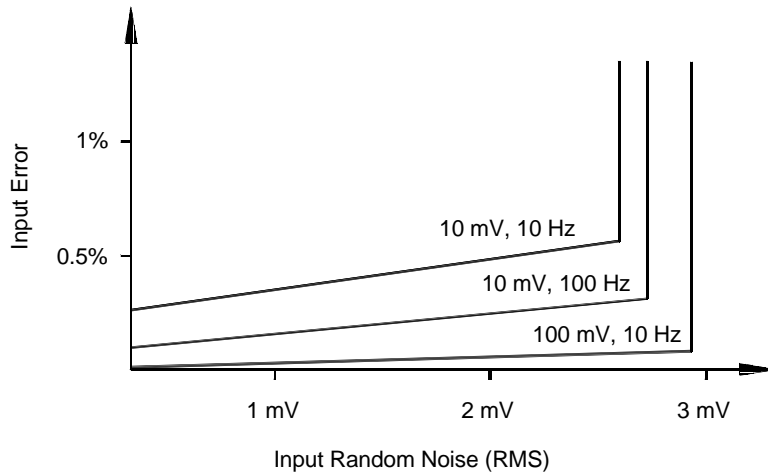
The timebase is divided to provide a gate signal. The gate signal and input signal are combined to enable the counter. During the “on” time, the counter counts the 6 MHz timebase signal. At the end of each gate period, the total count is latched and the result is divided by the known timebase frequency to determine the input frequency. The counter is then reset before the next gate period. The resolution of the measurement is tied to the timebase, and not the input frequency. This increases measurement speed especially at low frequencies.

The reciprocal counter has the advantage of a constant number of digits of display, no matter what the input frequency is. With a reciprocal counter, the number of digits of resolution scales with the gate time. If a 1-second gate gives six digits of resolution, a 0.1-second gate gives five digits, and so forth.



Sources of Error in Frequency and Period Measurements

The internal DMM's ac voltage measurement section performs input signal conditioning. All frequency counters are susceptible to errors when measuring low-voltage, low-frequency signals. The effects of both internal noise and external noise pickup are critical when measuring "slow" signals. The error is inversely proportional to frequency. Measurement errors will also occur if you attempt to measure the frequency (or period) of an input following a dc offset voltage change. You must allow the internal DMM's input dc blocking capacitor to fully settle before making frequency measurements.



If the external noise pickup becomes large enough to exceed the hysteresis of the measuring circuitry, the frequency function may actually become unusable. External shielding and low-pass filtering may help.

Low-Level Signal Multiplexing and Switching

Low-level multiplexers are available in the following types: *one-wire*, *2-wire*, and *4-wire*. The following sections in this chapter describe each type of multiplexer. The following low-level multiplexer modules are available with the 34970A.

- 34901A 20-Channel Armature Multiplexer
- 34902A 16-Channel Reed Multiplexer
- 34908A 40-Channel Single-Ended Multiplexer

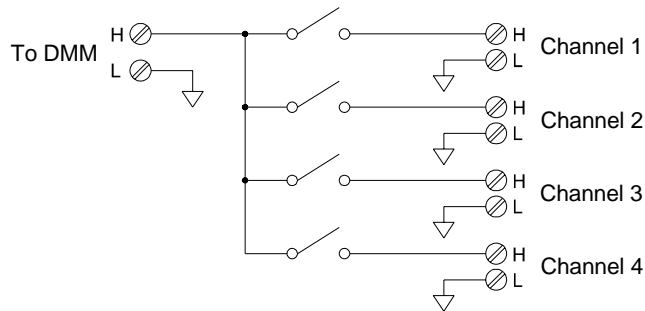
An important feature of a multiplexer used as a DMM input channel is that only one channel is connected at a time. For example, using a multiplexer module and the internal DMM, you could configure a voltage measurement on channel 1 and a temperature measurement on channel 2. The instrument first closes the channel 1 relay, makes the voltage measurement, and then opens the relay before moving on to channel 2 (called *break-before-make* switching).

Other low-level switching modules available with the 34970A include the following:

- 34903A 20-Channel Actuator
- 34904A 4x8 Two-Wire Matrix

One-Wire (Single-Ended) Multiplexers

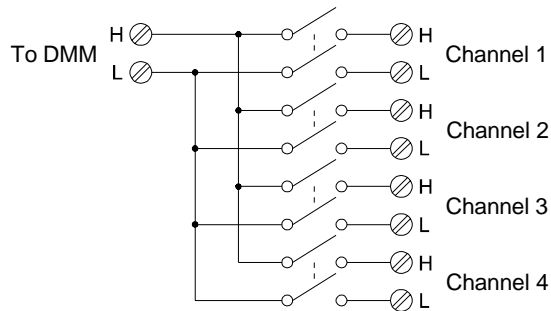
On the 34908A multiplexer, all of the 40 channels switch the HI input only, with a common LO for the module. The module also provides a thermocouple reference junction for making thermocouple measurements (*for more information on the purpose of an isothermal block, see page 350*).



Note: Only one channel can be closed at a time; closing one channel will open the previously closed channel.

Two-Wire Multiplexers

The 34901A and 34902A multiplexers switch both HI and LO inputs, thus providing fully isolated inputs to the internal DMM or an external instrument. These modules also provide a thermocouple reference junction for making thermocouple measurements (*for more information on the purpose of an isothermal block, see page 350*).

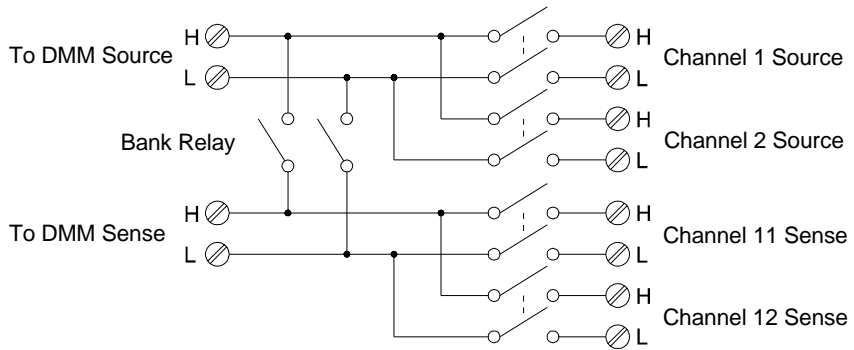


Note: If any channels are configured to be part of the scan list, you cannot close multiple channels; closing one channel will open the previously closed channel.

Four-Wire Multiplexers

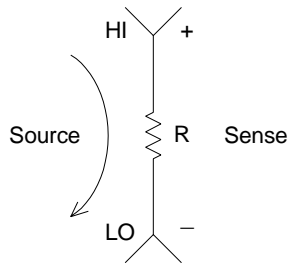
You can make 4-wire ohms measurements using the 34901A and 34902A multiplexers. For a 4-wire ohms measurement, the channels are divided into two independent banks by opening the bank relay.

For 4-wire measurements, the instrument automatically pairs channel n with channel $n+10$ (34901A) or $n+8$ (34902A) to provide the source and sense connections. For example, make the *source* connections to the HI and LO terminals on channel 2 and the *sense* connections to the HI and LO terminals on channel 12.



Note: If any channels are configured to be part of the scan list, you cannot close multiple channels; closing one channel will open the previously closed channel.

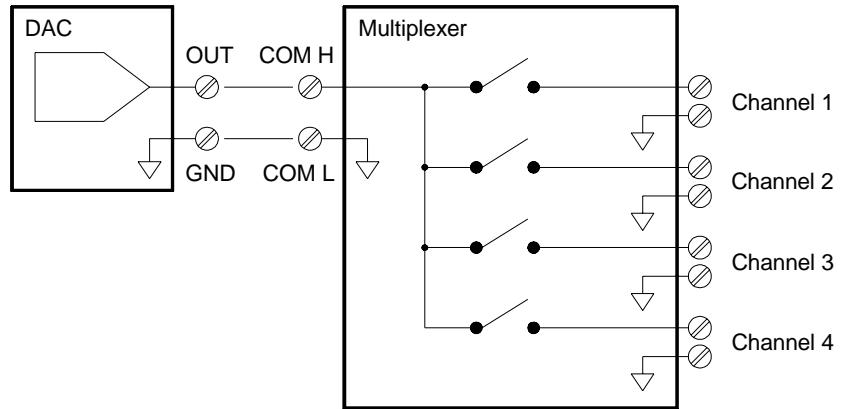
When making a 4-wire measurement, the test current flows through the *source* connections from the HI terminal through the resistor being measured. To eliminate the test lead resistance, a separate set of *sense* connections are used as shown below.



Signal Routing and Multiplexing

When used stand-alone for signal routing (not scanning or connected to the internal DMM), multiple channels on the 34901A and 34902A multiplexers can be closed at the same time. You must be careful that this does not create a hazardous condition (for example, connecting two power sources together).

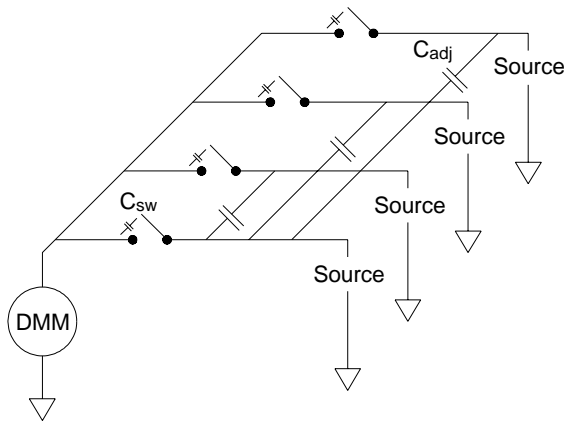
Note that a multiplexer *is not* directional. For example, you can use a multiplexer with a source (such as a DAC) to connect a single source to multiple test points as shown below.



Sources of Error in Multiplexing and Switching

Noise can be coupled inside a switch by the drive circuitry, by switch thermal EMFs, or by coupling among signal paths. Noise can also be generated outside the network and conducted or coupled into the switch. Although noise problems apply to the entire system, they can become especially acute for switching. Switch networks contain a high concentration of signals, which magnify the errors. Most problems with electric noise can be traced to improper grounding and shielding (*for more information on grounding and shielding, see page 337*).

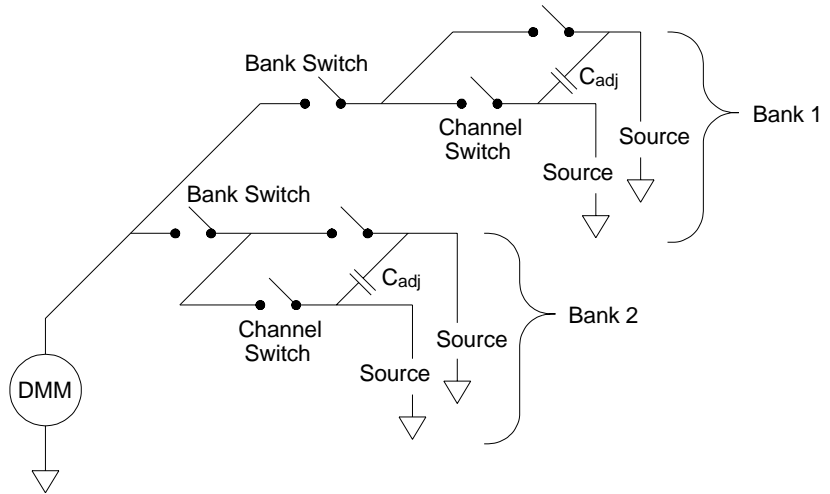
Noise can be capacitively coupled between physically adjacent channels in a switching system. Noise can be coupled between the switch contacts themselves (C_{sw}) or between adjacent cabling (C_{adj}).



Capacitive noise coupling is a function of area and proximity. A simple method to reduce the noise coupling is to physically separate the switches and cables from each other. However, this may not be practical for all applications.

Another solution is to keep large amplitude signals and small amplitude signals away from each other. Group similar signals together (high voltages, low voltages, analog, and digital). If possible, use two separate switch modules; one for high-level signals and one for low-level signals. If you are using a single module for mixed-signal switching, leave one unused, grounded channel between the groups. Also, ground any unused channels on the module.

The 34901A and 34902A multiplexers have an additional relay, called a *bank switch* or *tree switch*, which helps reduce channel-to-channel noise (C_{adj}). The multiplexer channels are divided into two banks. The bank switch isolates one bank of channels from the other, effectively removing any parallel adjacent capacitance from the isolated bank. During a scan, the instrument automatically controls the bank switches.

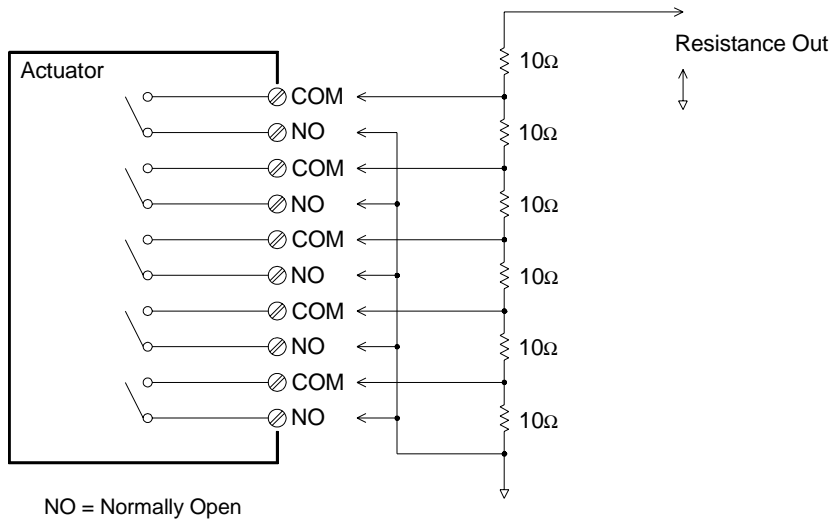


If you are not using all of the channels on the multiplexer, divide the input signals equally between Bank 1 and Bank 2. For example, if you are multiplexing eight channels using the 16-channel multiplexer, use four channels in the lower bank and four channels in the upper bank. For even better noise immunity, leave one unused, grounded channel between each input channel.

| Module | Bank 1 | Bank 2 |
|--------|-----------------------|------------------------|
| 34901A | Channels 1 through 10 | Channels 11 through 20 |
| 34902A | Channels 1 through 8 | Channels 9 through 16 |
| 34908A | Channels 1 through 20 | Channels 21 through 40 |

Actuators and General-Purpose Switching

The 34903A Actuator provides 20 independent, isolated SPDT (*single-pole, double-throw*) or Form C switches. This module offers simple on-off switching which you can use to control power devices or for custom switching applications. For example, you can use an actuator to build a simple resistance ladder as shown below.

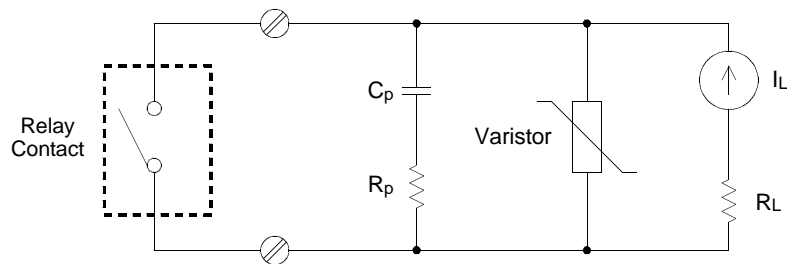


In the above diagram, the resistance is 60Ω when all of the actuator channels are open (not connected to COM). Note that when the actuator channels are open, as shown above, the normally-closed contacts (*not shown above*) are connected to COM. Values from 10Ω to 50Ω are selected by closing the appropriate channel(s) on the module.

Snubber Circuits

Whenever a relay contact opens or closes, electrical breakdown or arcing can occur between the contacts. This can cause high-frequency noise radiation, voltage and current surges, and physical damage to the relay contacts.

A breadboard area is provided on the 34903A to implement custom circuitry such as simple filters, snubbers, and voltage dividers. The breadboard area provides the space necessary to insert your own components but there are no circuit board traces here. You can build these networks to provide contact protection when actuating ac power line for reactive loads. Although many types of contact protection networks can be used, only RC networks and varistors are described in this section.



RC Protection Networks

When designing RC protection networks, the protection resistor R_p is selected as a compromise between two resistance values. The minimum value of R_p is determined by the maximum acceptable relay contact current (I_{max}). For the 34903A, the maximum allowable relay current (I_{max}) is 1A dc or ac rms. Thus, the minimum value for R_p is V/I_o , where V is the peak value of the supply voltage.

$$R_p = \frac{V}{I_{max}} = \frac{V}{2}$$

The maximum value for R_p is usually made equal to the load resistance R_L . Therefore, the limits on R_p can be stated as:

$$\frac{V}{I_{\max}} < R_p < R_L$$

Note that the actual value of the current (I_o) in a circuit is determined by the equation:

$$I_o = \frac{V}{R_L}$$

Where V is the peak value of the source voltage and R_L is the resistance of the load. The value for I_o will be used to determine the value of the protection capacitor (C_p).

In determining the value of the protection network capacitor (C_p), there are several things that you will need to consider. First, the total circuit capacitance (C_{tot}) must be such that the peak voltage across the open relay contacts does not exceed 300 Vrms. The equation for determining the minimum allowable circuit capacitance is:

$$C_{\text{tot}} \geq (I_o / 300)^2 \times L$$

where L is the inductance of the load and I_o is the current value calculated earlier.

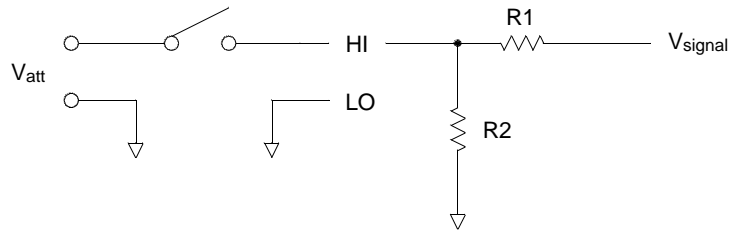
The total circuit capacitance (C) is actually made up of the wiring capacitance plus the value of the protection network capacitor C_p . Therefore, the minimum value for C_p should be the value obtained for the total circuit capacitance (C). Note that the actual value used for C_p should be substantially greater than the value calculated for C .

Using Varistors

Use a varistor to add an absolute voltage limit across the relay contacts. Varistors are available for a wide range of voltage and clamp energy ratings. Once the circuit reaches the voltage rating of the varistor, the varistor's resistance declines rapidly. A varistor can supplement an RC network and is especially useful when the required capacitance (C_p) is too large.

Using Attenuators

Provisions have been made on the 34903A circuit board for installing simple attenuators or filter networks. An attenuator is composed of two resistors that act as a voltage divider. A typical attenuator circuit is shown below.



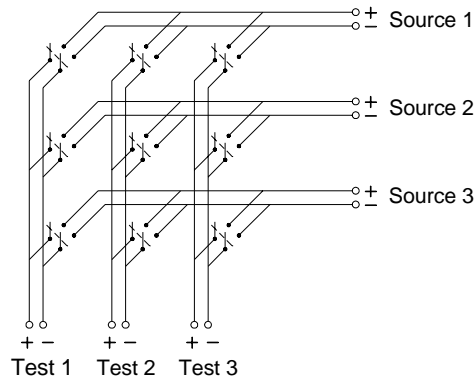
To select the attenuator components, use the following equation:

$$V_{\text{att}} = V_{\text{signal}} \times \frac{R_2}{R_1 + R_2}$$

One typical use for the shunt component is with 4 to 20 mA transducers. A 50Ω, ±1%, 0.5 watt resistor can be installed in the R2 location. The resultant voltage drop (transducer current through the resistor) can be measured by the internal DMM. Thus, the 50Ω resistor converts the 4 to 20 mA current to a 0.2 to 1 volt signal.

Matrix Switching

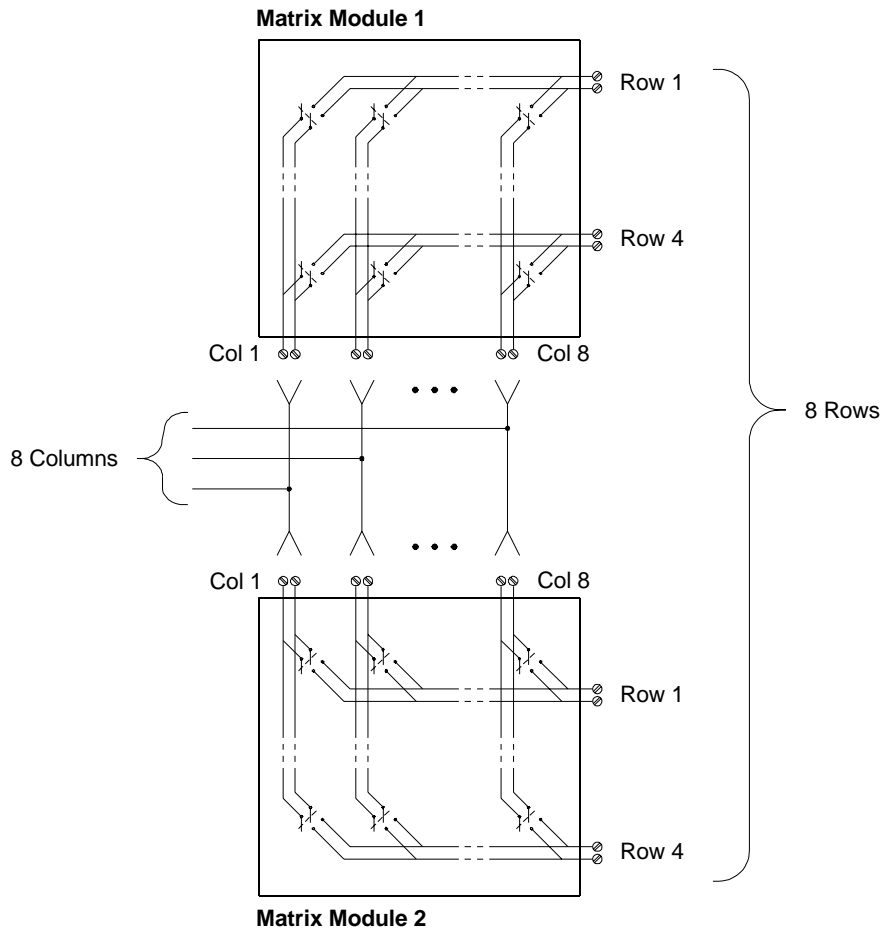
A matrix switch connects multiple inputs to multiple outputs and therefore offers more switching flexibility than a multiplexer. Use a matrix for switching low-frequency (less than 10 MHz) signals only. A matrix is arranged in rows and columns. For example, a simple 3x3 matrix could be used to connect three sources to three test points as shown below.



Any one of the signal sources can be connected to any one of the test inputs. Be aware that with a matrix, it is possible to connect more than one source at the same time. It is important to make sure that dangerous or unwanted conditions are not created by these connections.

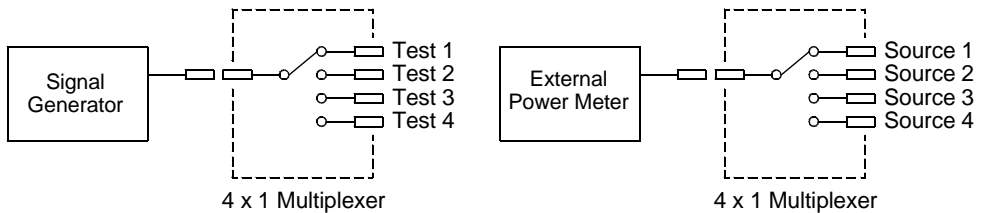
Combining Matrices

You can combine two or more matrix switches to provide more complex switching. For example, the 34904A provides a 4-row by 8-column matrix. You can combine two of these modules as either a 4-row by 16-column matrix or an 8-row by 8-column matrix. An 8x8 matrix is shown below.

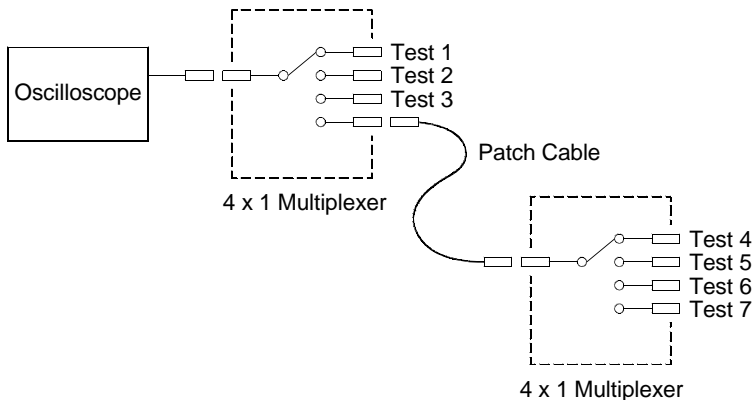


RF Signal Multiplexing

A special type of multiplexer is the RF multiplexer. This type of multiplexer uses special components to maintain a 50Ω or 75Ω impedance in the signal line being switched. In a test system, these switches are often used to route a test signal from a signal source to the device-under-test. The switches are bi-directional. The diagram below shows two examples of a 4-to-1 channel RF multiplexer in a test system.



By using patch cables, you can expand RF multiplexers to provide additional test inputs or outputs. For example, you can combine two 4-to-1 multiplexers to create a 7-to-1 multiplexer as shown below.



On the 34905A (50Ω) and 34906A (75Ω) RF multiplexers, you can close only one channel per bank at a time; closing one channel in a bank will open the previously closed channel. These modules respond *only* to the CLOSE command (OPEN does not apply). To open a channel, send the CLOSE command to another channel in the same bank.

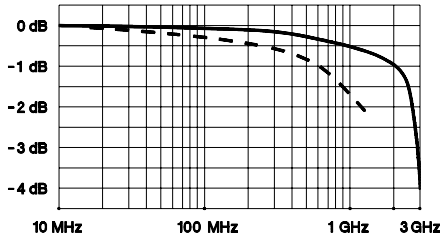
Sources of Error in RF Switching

Impedance mismatching can cause a variety of errors in an RF multiplexing system. These errors can cause distorted waveforms, overvoltage, or undervoltage conditions.

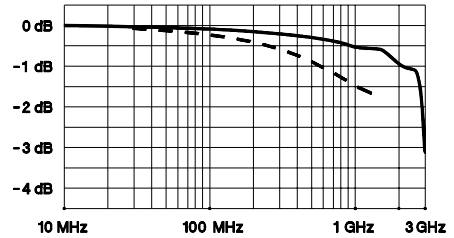
To minimize RF impedance mismatching:

- Use the correct cable and connector for the circuit impedance (50Ω or 75Ω). Note that it is difficult to visually differentiate a 50Ω connector from a 75Ω connector.
- Be sure that all leads and signal paths are properly terminated. Unterminated sections of line can appear as near shorts at RF frequencies. Note that the 34905A and 34906A *do not* automatically terminate open channels.

Insertion Loss (50Ω)

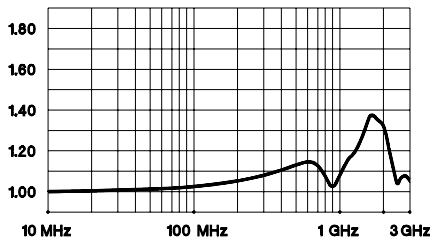


Insertion Loss (75Ω)

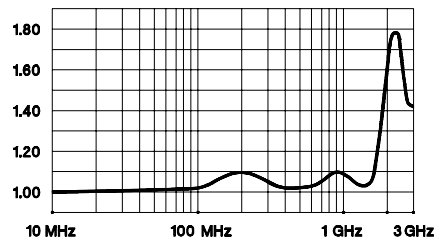


— Direct to Module
- - - Using provided adapter cables

VSWR (50Ω)



VSWR (75Ω)

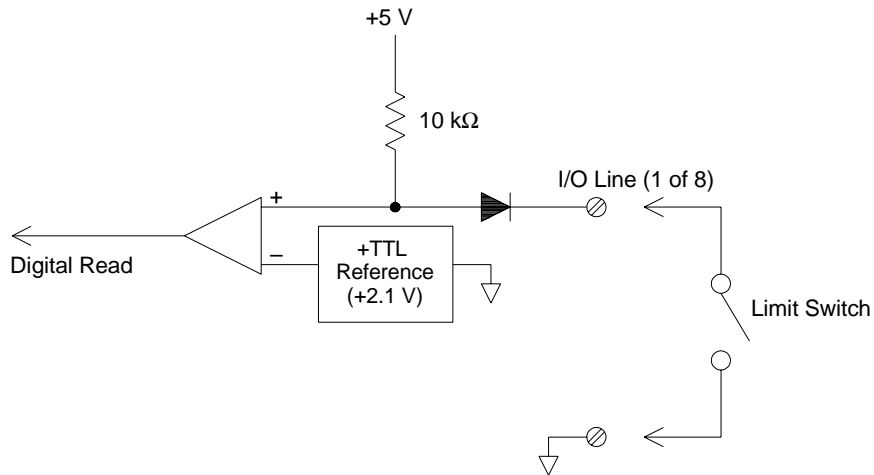


Multifunction Module

Digital Input

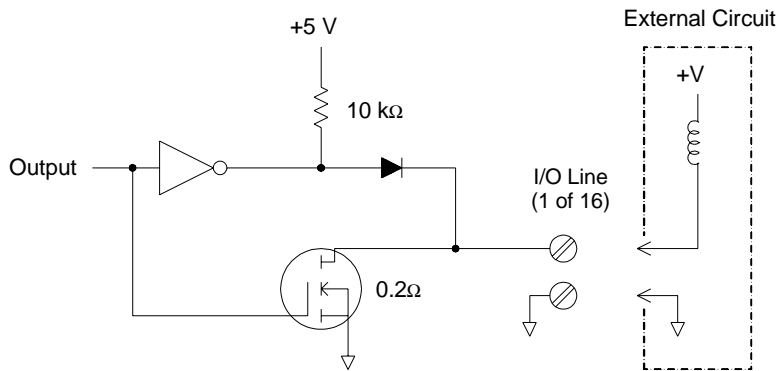
The 34907A module has two non-isolated 8-bit input/output ports which you can use for reading digital patterns.

- You can read the live status of the bits on the port or you can configure a scan to include a digital read.
- You can generate an alarm when a specific bit pattern or bit pattern change is detected on an input channel. The channels *do not* have to be part of the scan list to generate an alarm.
- The internal +5V pull-up circuitry allows you to use the digital input to detect contact closures like micro-switches or limit switches. An open input floats to +5V and is read as a "1". An input shorted to ground is read as a "0". An example of a contact closure detection channel is shown below.



Digital Output

The 34907A module has two non-isolated 8-bit input/output ports which you can use for outputting digital patterns. You can combine the two ports to output a 16-bit word. A simplified diagram of a single output bit is shown below.



- Each output bit is capable of directly driving up to 10 TTL loads (less than 1 mA). The buffer for each port is used to drive a high output from the internal +5V supply through the diode. The diode is rated at +2.4V minimum at 1 mA.
- Each output bit is also an active sink, capable of sinking up to 400 mA from an external power supply. The FET is used to sink currents and has a nominal “on” resistance of 0.2Ω.
- For non-TTL logic you must provide an external pull-up. A description of the pull-up calculation is given on the following page.
- If used with an external power supply and pull-up, the external supply must be greater than +5 Vdc and less than +42 Vdc.

Using an External Pull-Up

In general, an external pull-up is required only when you want to set the output “high” value greater than TTL levels. For example, to use a +12V external power supply, the value of the external pull-up resistor is calculated as follows:

$$V_{CC} = 12 \text{ Vdc}$$

$$I_{\max} = I_{\text{out low}} \times \text{safety factor} = 1 \text{ mA} \times 0.5 = 0.5 \text{ mA}$$

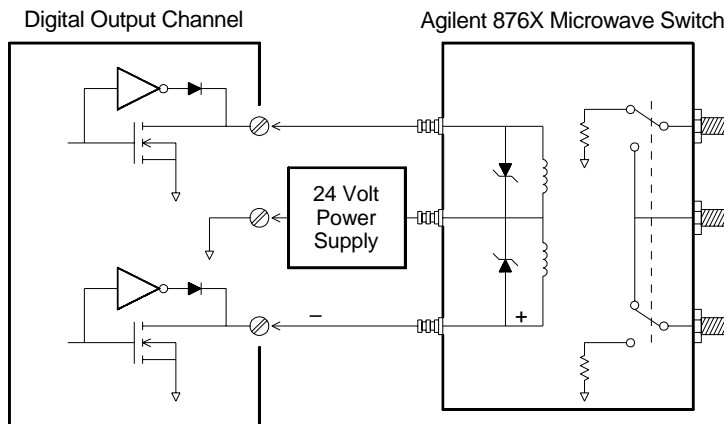
$$R = \frac{V_{CC}}{I_{\max}} = \frac{12}{0.0005} = 24 \text{ k}\Omega$$

The value of the logic “high” level with the external 24 kΩ pull-up resistor is calculated as follows:

$$V_{\text{high}} = V_{CC} \times \frac{R_{\text{external}}}{R_{\text{external}} + R_{\text{internal}}} = 12 \times \frac{24 \text{ k}\Omega}{24 \text{ k}\Omega + 10 \text{ k}\Omega} = 8.47 \text{ Vdc}$$

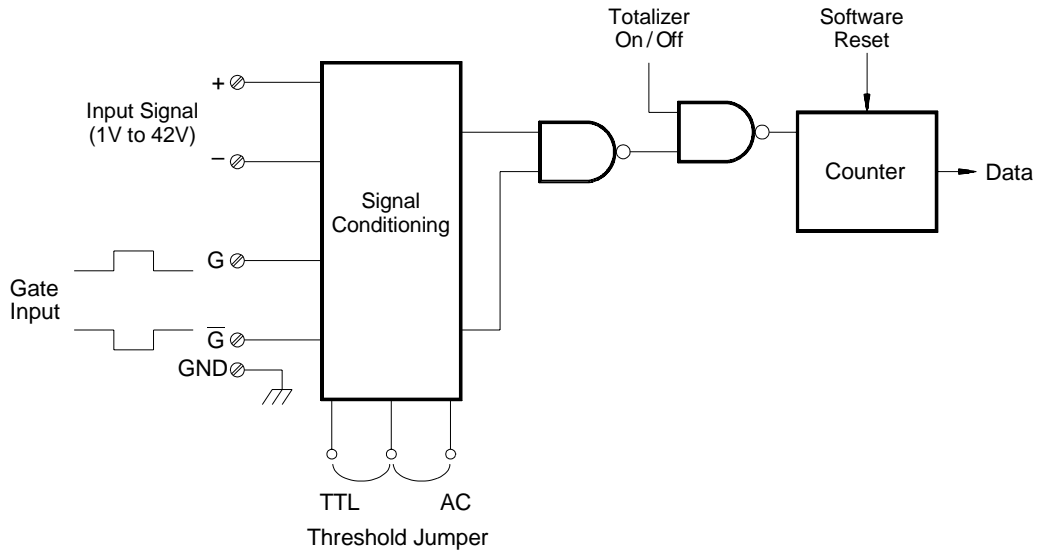
Driving External Switches

You can use two digital output channels to control an external switch. For example, you can drive the Agilent 876X series of microwave switches using an external power supply and two digital output channels. The state of the 2-to-1 multiplexer is changed by setting the appropriate output bit low (0).

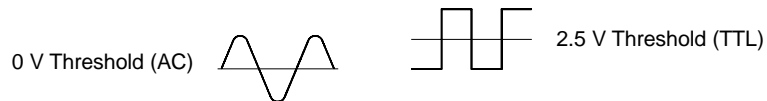


Totalizer

The 34907A module has a 26-bit totalizer which can count pulses at a 100 kHz rate. You can manually read the totalizer count or you can configure a scan to read the count.

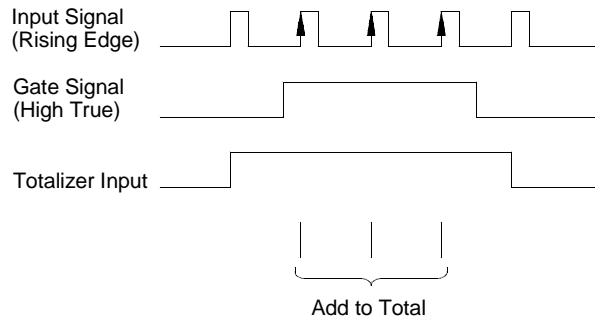


- You can configure the totalizer to count on the rising edge or falling edge of the input signal.
- Using the hardware jumper labeled “Totalize Threshold” on the module, you can control the threshold at which an edge is detected. Move the jumper to the “AC” position to detect changes through 0 volts. Move the jumper to the “TTL” position (factory setting) to detect changes through TTL threshold levels.



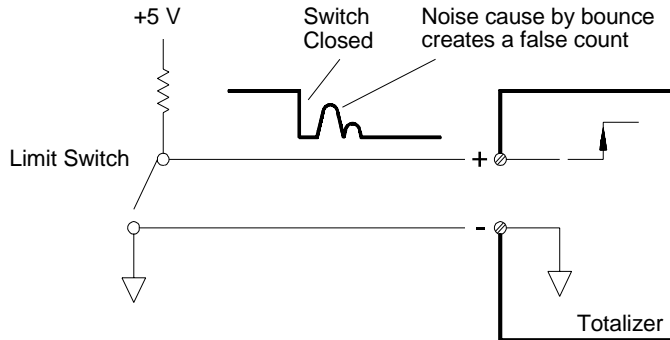
- The maximum count is 67,108,863 ($2^{26} - 1$). The count rolls over to “0” after reaching the maximum allowed value.

- You can control when the totalizer actually records counts by providing a *gate signal* (G and \bar{G} terminals on the module). A TTL high signal applied to the “G” terminal enables counting and a low signal disables counting. A TTL low signal applied to the “ \bar{G} ” terminal enables counting and a high signal disables counting. The totalizer only counts when both terminals are enabled. You can use either the G terminal, the \bar{G} terminal, or both. *When a gate is not connected, the gate terminal floats to the enabled state, effectively creating a “gate always” condition.*



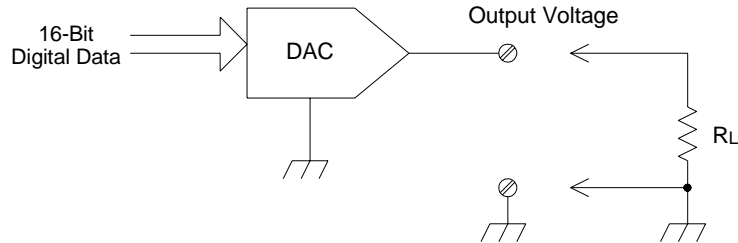
Totalizer Errors

- Noise on the totalizer input can be a problem, especially on signals with a slow rise time. This noise can create a false indication of a threshold crossing. *For more information on cabling noise, see page 335.*
- Contact bounce on external switches can create false counts. All mechanical switches bounce when they open and close. Use an external capacitor to filter the contact bounce.



Voltage (DAC) Output

The 34907A module has two analog outputs capable of outputting calibrated voltages between ± 12 volts with 16 bits of resolution. Each DAC (*Digital-to-Analog Converter*) channel can be used as a programmable voltage source for analog input to other devices.



- You can set the output voltage to any value between +12 Vdc and -12 Vdc, in 1 mV steps. Each DAC is earth referenced, *it cannot float*.
- Each DAC channel is capable of supplying 10 mA maximum current.

Note: You must limit the output current to 40 mA total for all three slots (six DAC channels).

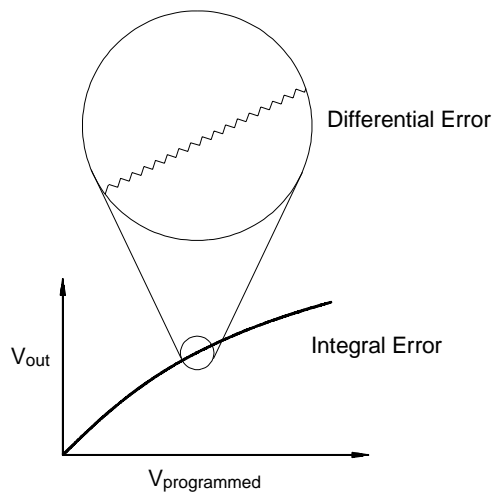
- To maintain the rated output accuracy, the load (R_L in the diagram shown above) must be greater than 1 k Ω .

DAC Errors

The output of a DAC varies with temperature. If possible, you should operate the instrument at a stable temperature and as close as possible to the calibration temperature of the DAC for greater accuracy.

The output of a DAC also exhibits two other types of errors: *differential error* and *integral error*.

- *Differential Error* refers to the smallest possible change in voltage. The DAC output is not linear, but is stepped as progressively larger (or smaller) voltages are programmed. The step size is 1 mV.
- *Integral Error* refers to the difference between the programmed voltage and the actual output voltage from the DAC. This error is included in the output specifications shown on page 412.



Relay Life and Preventative Maintenance

The 34970A *Relay Maintenance System* automatically counts the cycles on each relay in the instrument and stores the total count in non-volatile memory on each switch module. Use this feature to track relay failures and predict system maintenance requirements. *For more information on using this feature, refer to "Relay Cycle Count" on page 147.*

Relays are electromechanical devices which are subject to wear-out failure modes. The life of a relay, or the number of actual operations before failure, is dependent upon how it is used – applied load, switching frequency, and environment.

You can use the graphs shown in this section to estimate relay lifetimes for your application. Additional background information is also provided to give you a better understanding of relay wear-out mechanisms. In general, relay lifetimes depend heavily upon the signals that are being switched and the types of measurements being performed.

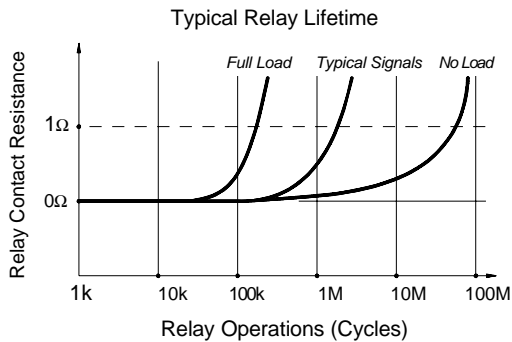
- Switching typical signal levels will result in relay lifetimes from 1,000,000 to 10,000,000 operations.
- High-power switching (>25% rating) or high-voltage switching (>100V) applications will yield relay lifetimes from 100,000 to 1,000,000 operations.
- Low-voltage switching (<30V) and low-current switching (<10 mA) applications will yield relay lifetimes to 10,000,000 operations.
- RF switching applications seldom exhibit relay lifetimes exceeding 1,000,000 operations due to more stringent contact resistance requirements (typically less than 0.2Ω).

The following table shows the time required to reach the specified number of switch operations for several switching speeds.

| Continuous Switching Speed | Switch Operations | | |
|----------------------------|-------------------|-----------|------------|
| | 100,000 | 1,000,000 | 10,000,000 |
| 1 / Hour | 12 Years | | |
| 1 / Minute | 10 Weeks | 2 Years | |
| 1 / Second | 1 Day | 12 Days | 4 Months |
| 10 / Second | 3 Hours | 1 Day | 12 Days |

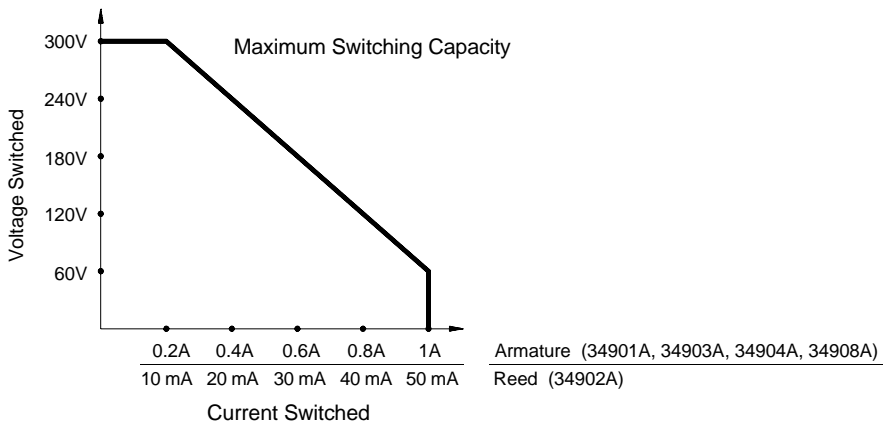
Relay Life

As a relay is used, the contacts begin to wear and the resistance of the closed contacts increases. The initial contact resistance of a relay is typically 50 mΩ (plus lead resistance). When the contact resistance exceeds 20 to 50 times its initial value, the contact resistance becomes very erratic and the relay should probably be replaced. For most applications, a relay with contact resistance greater than 1Ω should be replaced. The graph below shows the typical contact resistance characteristics of the relays used on the 34970A switching modules.



Relay Load

For most applications, the load switched by the relay is the most important factor affecting relay life. As shown in the graph below, relay life is maximized by switching low power. As the power switched increases, relay life deteriorates.



Switching Frequency

Relay contacts heat up as they switch significant power. The heat is dissipated through the leads and the body of the relay. As you increase the switching frequency to near its maximum, heat cannot dissipate before the next cycle. The contact temperature rises and the life of the relay is reduced.

Replacement Strategy

There are essentially two strategies that you can use for preventative maintenance of the relays on the switching modules. The strategy that you choose depends upon your application, the consequences of a relay failure in your system, and the number of relay cycles during a measurement session.

The first strategy is to replace each relay as needed after it fails or becomes erratic. This is suitable if you are switching higher loads on only a few relays on the module. The disadvantage of this strategy is the inconvenience of continually replacing relays as they near the end of their life at different times.

The second strategy is to replace all relays on the module or simply purchase a new module as the relays near the end of their life. This strategy is best suited for those applications where all relays on the module are switching similar loads. The failure of several relays over a relatively short period of time may indicate impending failures on other relays switching similar loads. This strategy decreases the risk of failure during actual use at the expense of replacing some relays that may have useful life remaining.

Note: In both cases described above, you can use the 34970A *Relay Maintenance System* to track and even predict relay failures.

- DC, Resistance, and Temperature Accuracy Specifications, *on page 404*
- DC Measurement and Operating Characteristics, *on page 405*
- AC Accuracy Specifications, *on page 406*
- AC Measurement and Operating Characteristics, *on page 407*
- Measurement Rates and System Characteristics, *on page 408*
- Module Specifications:
 - 34901A, 34902A, 34908A, 34903A, 34904A, *on page 409*
 - 34905A, 34906A, *on page 410*
 - Typical AC Performance Graphs, *on page 411*
 - 34907A, *on page 412*
- BenchLink Data Logger Software Specifications, *on page 412*
- Product and Module Dimensions, *on page 413*
- To Calculate Total Measurement Error, *on page 414*
- Interpreting Internal DMM Specifications, *on page 416*
- Configuring for Highest Accuracy Measurements, *on page 419*

Specifications

■ DC, Resistance, and Temperature Accuracy Specifications

± (% of reading + % of range) ^[1]

Includes measurement error, switching error, and transducer conversion error

| Function | Range ^[3] | Test Current or Burden Voltage | 24 Hour ^[2] 23 °C ± 1 °C | 90 Day 23 °C ± 5 °C | 1 Year 23 °C ± 5 °C | Temperature Coefficient /°C 0 °C – 18 °C 28 °C – 55 °C |
|---|-----------------------------------|------------------------------------|--|--|------------------------|--|
| DC Voltage | 100.0000 mV | | 0.0030 + 0.0035 | 0.0040 + 0.0040 | 0.0050 + 0.0040 | 0.0005 + 0.0005 |
| | 1.000000 V | | 0.0020 + 0.0006 | 0.0030 + 0.0007 | 0.0040 + 0.0007 | 0.0005 + 0.0001 |
| | 10.00000 V | | 0.0015 + 0.0004 | 0.0020 + 0.0005 | 0.0035 + 0.0005 | 0.0005 + 0.0001 |
| | 100.0000 V | | 0.0020 + 0.0006 | 0.0035 + 0.0006 | 0.0045 + 0.0006 | 0.0005 + 0.0001 |
| | 300.000 V | | 0.0020 + 0.0020 | 0.0035 + 0.0030 | 0.0045 + 0.0030 | 0.0005 + 0.0003 |
| Resistance ^[4] | 100.0000 Ω | 1 mA current source | 0.0030 + 0.0035 | 0.008 + 0.004 | 0.010 + 0.004 | 0.0006 + 0.0005 |
| | 1.000000 kΩ | 1 mA | 0.0020 + 0.0006 | 0.008 + 0.001 | 0.010 + 0.001 | 0.0006 + 0.0001 |
| | 10.00000 kΩ | 100 μA | 0.0020 + 0.0005 | 0.008 + 0.001 | 0.010 + 0.001 | 0.0006 + 0.0001 |
| | 100.0000 kΩ | 10 μA | 0.0020 + 0.0005 | 0.008 + 0.001 | 0.010 + 0.001 | 0.0006 + 0.0001 |
| | 1.000000 MΩ | 5 μA | 0.002 + 0.001 | 0.008 + 0.001 | 0.010 + 0.001 | 0.0010 + 0.0002 |
| | 10.00000 MΩ | 500 nA | 0.015 + 0.001 | 0.020 + 0.001 | 0.040 + 0.001 | 0.0030 + 0.0004 |
| | 100.0000 MΩ | 500 nA 10 MΩ | 0.300 + 0.010 | 0.800 + 0.010 | 0.800 + 0.010 | 0.1500 + 0.0002 |
| DC Current <i>34901A Only</i> | 10.00000 mA | < 0.1 V burden | 0.005 + 0.010 | 0.030 + 0.020 | 0.050 + 0.020 | 0.002 + 0.0020 |
| | 100.0000 mA | < 0.6 V | 0.010 + 0.004 | 0.030 + 0.005 | 0.050 + 0.005 | 0.002 + 0.0005 |
| | 1.000000 A | < 2 V | 0.050 + 0.006 | 0.080 + 0.010 | 0.100 + 0.010 | 0.005 + 0.0010 |
| Temperature | Type | Best Range Accuracy ^[5] | | Extended Range Accuracy ^[5] | | |
| Thermocouple ^[6] | B | 1100°C to 1820°C | 1.2°C | 400°C to 1100°C | 1.8°C | 0.03°C |
| | E | -150°C to 1000°C | 1.0°C | -200°C to -150°C | 1.5°C | 0.03°C |
| | J | -150°C to 1200°C | 1.0°C | -210°C to -150°C | 1.2°C | 0.03°C |
| | K | -100°C to 1200°C | 1.0°C | -200°C to -100°C | 1.5°C | 0.03°C |
| | N | -100°C to 1300°C | 1.0°C | -200°C to -100°C | 1.5°C | 0.03°C |
| | R | 300°C to 1760°C | 1.2°C | -50°C to 300°C | 1.8°C | 0.03°C |
| | S | 400°C to 1760°C | 1.2°C | -50°C to 400°C | 1.8°C | 0.03°C |
| | T | -100°C to 400°C | 1.0°C | -200°C to -100°C | 1.5°C | 0.03°C |
| RTD | R ₀ from 49Ω to 2.1 kΩ | -200°C to 600°C | 0.06°C | | | 0.003°C |
| Thermistor | 2.2 k, 5 k, 10 k | -80°C to 150°C | 0.08°C | | | 0.002°C |

[1] Specifications are for 1 hour warm up and 6½ digits

[2] Relative to calibration standards

[3] 20% over range on all ranges except 300 Vdc and 1 Adc ranges

[4] Specifications are for 4-wire ohms function or 2-wire ohms using Scaling to remove the offset. Without Scaling, add 4Ω additional error in 2-wire ohms function.

[5] 1 year accuracy. For total measurement accuracy, add temperature probe error.

[6] Thermocouple specifications not guaranteed when 34907A module is present

DC Measurement and Operating Characteristics

DC Measurement Characteristics ^[1]

DC Voltage

| | |
|--------------------------|--|
| Measurement Method: | Continuously Integrating, Multi-slope III A/D Converter |
| A/D Linearity: | 0.0002% of reading + 0.0001% of range |
| Input Resistance: | |
| 100 mV, 1 V, 10 V ranges | Selectable 10 M Ω or >10 G Ω |
| 100 V, 300 V ranges | 10 M Ω \pm 1% |
| Input Bias Current: | < 30 pA at 25 °C |
| Input Protection: | 300 V on all ranges |

Resistance

| | |
|-----------------------|---|
| Measurement Method: | Selectable 4-wire or 2-wire Ohms, Current source reference to LO input |
| Offset Compensation: | Selectable on 100 Ω , 1 k Ω , 10 k Ω ranges |
| Max. Lead Resistance: | 10% of range per lead for 100 Ω and 1 k Ω ranges. 1 k Ω on all other ranges |
| Input Protection: | 300 V on all ranges |

DC Current

| | |
|-------------------|--|
| Shunt Resistance: | 5 Ω for 10 mA, 100 mA; 0.1 Ω for 1A. |
| Input Protection: | 1.5A 250 V fuse on 34901A module |

Thermocouple

| | |
|--------------------------|---|
| Conversion: | ITS-90 software compensation |
| Reference Junction Type: | Internal, Fixed, or External |
| Open T/C Check: | Selectable per channel. Open > 5 k Ω |

RTD

α = 0.00385 (DIN/IEC 751) using
ITS-90 software compensation or
 α = 0.00391 using IPTS-68 software
compensation.

Thermistor

44004, 44007, 44006 series

Measurement Noise Rejection 60 Hz (50 Hz) ^[2]

| | |
|----------|--------|
| DC CMRR: | 140 dB |
|----------|--------|

Integration Time

| | |
|--------------------------|-----------------------|
| 200 PLC / 3.33s (4s) | 110 dB ^[4] |
| 100 PLC / 1.67s (2s) | 105 dB ^[4] |
| 20 PLC / 333 ms (400 ms) | 100 dB ^[4] |
| 10 PLC / 167 ms (200 ms) | 95 dB ^[4] |
| 2 PLC / 33.3 ms (40 ms) | 90 dB |
| 1 PLC / 16.7 ms (20 ms) | 60 dB |
| < 1 PLC | 0 dB |

Normal Mode Rejection ^[3]

DC Operating Characteristics ^[5]

| Function | Digits ^[6] | Readings/s | Additional Noise Error |
|------------------------------|-----------------------|------------|--------------------------------|
| DCV, DCI, and Resistance: | 6 $\frac{1}{2}$ | 0.6 (0.5) | 0% of range |
| | 6 $\frac{1}{2}$ | 6 (5) | 0% of range |
| | 5 $\frac{1}{2}$ | 60 (50) | 0.001% of range ^[7] |
| | 5 $\frac{1}{2}$ | 300 | 0.001% of range ^[7] |
| | 4 $\frac{1}{2}$ | 600 | 0.01% of range ^[7] |

Single Channel Measurement Rates ^[8]

| Function | Resolution | Readings/s |
|-------------------|----------------------------|------------|
| DCV, 2-Wire Ohms: | 6 $\frac{1}{2}$ (10 PLC) | 6 (5) |
| | 5 $\frac{1}{2}$ (1 PLC) | 57 (47) |
| | 4 $\frac{1}{2}$ (0.02 PLC) | 600 |
| Thermocouple: | 0.1 °C (1 PLC) | 57 (47) |
| | (0.02 PLC) | 220 |
| RTD, Thermistor: | 0.01 °C (10 PLC) | 6 (5) |
| | 0.1 °C (1 PLC) | 57 (47) |
| | 1 °C (0.02 PLC) | 220 |

Autozero OFF Operation

Following instrument warm-up at calibration temperature \pm 1 °C
and < 10 minutes, add 0.0002% range additional error + 5 μ V.

Settling Considerations

Reading settling times are affected by source impedance,
low dielectric absorption characteristics, and input signal changes.

[1] 300 Vdc isolation voltage (ch-ch, ch-earth)

[2] For 1 k Ω unbalance in LO lead

[3] For power line frequency \pm 0.1%

[4] For power line frequency \pm 1%, use 80 dB.

For power line frequency \pm 3%, use 60 dB.

[5] Reading speeds for 60 Hz and (50 Hz) operation; autozero OFF

[6] 6 $\frac{1}{2}$ digits=22 bits, 5 $\frac{1}{2}$ digits=18 bits, 4 $\frac{1}{2}$ digits=15 bits

[7] Add 20 μ V for DCV, 4 μ A for DCI, or 20 m Ω for resistance

[8] For fixed function and range, readings to memory,
scaling and alarms off, autozero OFF

■ AC Accuracy Specifications

± (% of reading + % of range) ^[1]

Includes measurement error, switching error, and transducer conversion error

| Function | Range ^[3] | Frequency | 24 Hour ^[2] 23 °C ± 1 °C | 90 Day 23 °C ± 5 °C | 1 Year 23 °C ± 5 °C | Temperature Coefficient /°C 0 °C – 18 °C 28 °C – 55 °C |
|--|--|----------------------------------|--|------------------------|------------------------|---|
| True RMS AC Voltage ^[4] | 100.0000 mV to 100 V | 3 Hz – 5 Hz | 1.00 + 0.03 | 1.00 + 0.04 | 1.00 + 0.04 | 0.100 + 0.004 |
| | | 5 Hz – 10 Hz | 0.35 + 0.03 | 0.35 + 0.04 | 0.35 + 0.04 | 0.035 + 0.004 |
| | | 10 Hz – 20 kHz | 0.04 + 0.03 | 0.05 + 0.04 | 0.06 + 0.04 | 0.005 + 0.004 |
| | | 20 kHz – 50 kHz | 0.10 + 0.05 | 0.11 + 0.05 | 0.12 + 0.05 | 0.011 + 0.005 |
| | | 50 kHz – 100 kHz | 0.55 + 0.08 | 0.60 + 0.08 | 0.60 + 0.08 | 0.060 + 0.008 |
| | | 100 kHz – 300 kHz ^[5] | 4.00 + 0.50 | 4.00 + 0.50 | 4.00 + 0.50 | 0.20 + 0.02 |
| | 300.0000 V | 3 Hz – 5 Hz | 1.00 + 0.05 | 1.00 + 0.08 | 1.00 + 0.08 | 0.100 + 0.008 |
| | | 5 Hz – 10 Hz | 0.35 + 0.05 | 0.35 + 0.08 | 0.35 + 0.08 | 0.035 + 0.008 |
| | | 10 Hz – 20 kHz | 0.04 + 0.05 | 0.05 + 0.08 | 0.06 + 0.08 | 0.005 + 0.008 |
| | | 20 kHz – 50 kHz | 0.10 + 0.10 | 0.11 + 0.12 | 0.12 + 0.12 | 0.011 + 0.012 |
| | | 50 kHz – 100 kHz | 0.55 + 0.20 | 0.60 + 0.20 | 0.60 + 0.20 | 0.060 + 0.020 |
| | | 100 kHz – 300 kHz ^[5] | 4.00 + 1.25 | 4.00 + 1.25 | 4.00 + 1.25 | 0.20 + 0.05 |
| Frequency and Period ^[6] | 100 mV to 300 V | 3 Hz – 5 Hz | 0.10 | 0.10 | 0.10 | 0.005 |
| | | 5 Hz – 10 Hz | 0.05 | 0.05 | 0.05 | 0.005 |
| | | 10 Hz – 40 Hz | 0.03 | 0.03 | 0.03 | 0.001 |
| | | 40 Hz – 300 kHz | 0.006 | 0.01 | 0.01 | 0.001 |
| True RMS AC Current <i>34901A Only</i> | 10.00000 mA ^[4] and 1.000000 A ^[4] | 3 Hz – 5 Hz | 1.00 + 0.04 | 1.00 + 0.04 | 1.00 + 0.04 | 0.100 + 0.006 |
| | | 5 Hz – 10 Hz | 0.30 + 0.04 | 0.30 + 0.04 | 0.30 + 0.04 | 0.035 + 0.006 |
| | | 10 Hz – 5 kHz | 0.10 + 0.04 | 0.10 + 0.04 | 0.10 + 0.04 | 0.015 + 0.006 |
| | 100.0000 mA ^[7] | 3 Hz – 5 Hz | 1.00 + 0.5 | 1.00 + 0.5 | 1.00 + 0.5 | 0.100 + 0.06 |
| | | 5 Hz – 10 Hz | 0.30 + 0.5 | 0.30 + 0.5 | 0.30 + 0.5 | 0.035 + 0.06 |
| | | 10 Hz – 5 kHz | 0.10 + 0.5 | 0.10 + 0.5 | 0.10 + 0.5 | 0.015 + 0.06 |

Additional Low Frequency Error for ACV, ACI (% of reading)

| Frequency | AC Filter Slow | AC Filter Medium | AC Filter Fast |
|-----------------|-------------------|---------------------|-------------------|
| 10 Hz - 20 Hz | 0 | 0.74 | — |
| 20 Hz - 40 Hz | 0 | 0.22 | — |
| 40 Hz - 100 Hz | 0 | 0.06 | 0.73 |
| 100 Hz - 200 Hz | 0 | 0.01 | 0.22 |
| 200 Hz - 1 kHz | 0 | 0 | 0.18 |
| > 1 kHz | 0 | 0 | 0 |

Additional Error for Frequency, Period (% of reading)

| Frequency | 6½ Digits | 5½ Digits | 4½ Digits |
|-----------------|-----------|-----------|-----------|
| 3 Hz - 5 Hz | 0 | 0.12 | 0.12 |
| 5 Hz - 10 Hz | 0 | 0.17 | 0.17 |
| 10 Hz - 40 Hz | 0 | 0.2 | 0.2 |
| 40 Hz - 100 Hz | 0 | 0.06 | 0.21 |
| 100 Hz - 300 Hz | 0 | 0.03 | 0.21 |
| 300 Hz - 1 kHz | 0 | 0.01 | 0.07 |
| > 1 kHz | 0 | 0 | 0.02 |

[1] Specifications are for 1 hour warm up and 6½ digits, Slow ac filter

[2] Relative to calibration standards

[3] 20% over range on all ranges except 300 Vac and 1 Aac ranges

[4] For sinewave input > 5% of range. For inputs from 1% to 5% of range and < 50 kHz, add 0.1% of range additional error.

[5] Typically 30% of reading error at 1 MHz, limited to 1x10⁵ V Hz

[6] Input > 100 mV. For 10 mV inputs, multiply % of reading error x 10.

[7] Specified only for inputs > 10 mA

■ AC Measurement and Operating Characteristics

AC Measurement Characteristics ^[1]

| | |
|---|--|
| True RMS AC Voltage | |
| Measurement Method: | AC-coupled True RMS – measures the ac component of input with up to 300 Vdc of bias on any range |
| Crest Factor: | Maximum 5:1 at Full Scale |
| Additional Crest Factor Errors (non-sinewave): ^[2] | Crest Factor 1-2: 0.05% of reading Crest Factor 2-3: 0.15% of reading Crest Factor 3-4: 0.30% of reading Crest Factor 4-5: 0.40% of reading |
| AC Filter Bandwidth: | |
| Slow | 3 Hz – 300 kHz |
| Medium | 20 Hz – 300 kHz |
| Fast | 200 Hz – 300 kHz |
| Input Impedance: | 1 M Ω \pm 2%, in parallel with 150 pF |
| Input Protection: | 300 Vrms on all ranges |

Frequency and Period

| | |
|----------------------|---|
| Measurement Method: | Reciprocal counting technique |
| Voltage Ranges: | Same as AC Voltage function |
| Gate Time: | 1s, 100 ms, or 10 ms |
| Measurement Timeout: | Selectable 3 Hz, 20 Hz, 200 Hz LF limit |

True RMS AC Current

| | |
|---------------------|--|
| Measurement Method: | Direct coupled to the fuse and shunt. AC-coupled True RMS measurement (measures the ac component only) |
| Shunt Resistance: | 5 Ω for 10 mA; 0.1 Ω for 100 mA, 1A |
| Input Protection: | 1.5A 250 V fuse on 34901A module |

Measurement Noise Rejection ^[3]

| | |
|----------|-------|
| AC CMRR: | 70 dB |
|----------|-------|

Measurement Considerations (Frequency and Period)

All frequency counters are susceptible to error when measuring low-voltage, low-frequency signals. Shielding inputs from external noise pickup is critical for minimizing measurement errors.

AC Operating Characteristics ^[4]

| Function | Digits ^[5] | Readings/s | AC Filter |
|-----------|---|--------------------|----------------|
| ACV, ACI: | 6 $\frac{1}{2}$ | 7 sec/reading | Slow (3 Hz) |
| | 6 $\frac{1}{2}$ | 1 | Medium (20 Hz) |
| | 6 $\frac{1}{2}$ | 8 ^[6] | Fast (200 Hz) |
| | 6 $\frac{1}{2}$ | 10 | Fast (200 Hz) |
| | 6 $\frac{1}{2}$ \bar{u} \bar{x} \bar{c} $\bar{3}$ $\bar{1}$ \bar{c} $\bar{3}$ $\bar{3}$ \bar{c} \bar{a} $\bar{3}$ $\bar{2}$ \bar{e} | 100 ^[7] | Fast (200 Hz) |

Single Channel Measurement Rates ^[8]

| Function | Resolution | Readings/s |
|--------------------|--|------------|
| ACV: | 6 $\frac{1}{2}$ Slow (3 Hz) | 0.14 |
| | 6 $\frac{1}{2}$ Medium (20 Hz) | 1 |
| | 6 $\frac{1}{2}$ Fast (200 Hz) | 8 |
| | 6 $\frac{1}{2}$ \bar{u} \bar{x} \bar{c} $\bar{3}$ $\bar{1}$ \bar{c} $\bar{3}$ $\bar{3}$ \bar{c} \bar{a} $\bar{3}$ $\bar{2}$ \bar{e} ^[7] | 100 |
| Frequency, Period: | 6 $\frac{1}{2}$ Digits (1s gate) | 0.77 |
| | 6 $\frac{1}{2}$ Digits (1s gate) ^[7] | 1 |
| | 5 $\frac{1}{2}$ Digits (100 ms) | 2.5 |
| | 5 $\frac{1}{2}$ Digits (100 ms) ^[7] | 9 |
| | 4 $\frac{1}{2}$ Digits (10 ms) | 3.2 |
| | 4 $\frac{1}{2}$ Digits (10 ms) ^[7] | 70 |

[1] 300 Vrms isolation voltage (ch-ch, ch-earth)

[2] For frequencies below 100 Hz, slow AC filter specified for sinewave input only

[3] For 1 k Ω unbalance in LO lead

[4] Maximum reading rates for 0.01% of ac step additional error. Additional settling delay required when input dc level varies.

[5] 6 $\frac{1}{2}$ digits=22 bits, 5 $\frac{1}{2}$ digits=18 bits, 4 $\frac{1}{2}$ digits=15 bits

[6] For external trigger or remote operation using default settling delay (Delay Auto)

[7] Maximum limit with default settling delays defeated

[8] For fixed function and range, readings to memory, scaling and alarms turned off

■ Measurement Rates and System Characteristics

| Single Channel Measurement Rates ^[1] ^[2] | | | System Characteristics | |
|--|--|-------------------|--|--|
| Function | Resolution | Readings/s | Scan Triggering | |
| DCV, 2-Wire Ohms: | 6½ (10 PLC) | 6 (5) | Scan Count: | 1 to 50,000 or continuous |
| | 5½ (1 PLC) | 53 (47) | Scan Interval: | 0 to 99 hours; 1 ms step size |
| | 4½ (0.02 PLC) | 490 | Channel Delay: | 0 to 60 seconds/channel; 1 ms step size |
| Thermocouple: | 0.1 °C (1 PLC) (0.02 PLC) | 49 (47) | External Trig Delay: | < 300 µs; With Monitor On, < 200 ms |
| | | 280 | External Trig Jitter: | < 2 ms |
| RTD, Thermistor: | 0.01 °C (10 PLC) 0.1 °C (1 PLC) 1 °C (0.02 PLC) | 6 (5) | Alarms | |
| | | 47 (47) | Alarm Outputs: | 4 TTL compatible. Selectable TTL logic HI or LO on Fail |
| | | 280 | Latency: | 5 ms (typical) |
| ACV: | 6½ Slow (3 Hz) 6½ Medium (20 Hz) 6½ Fast (200 Hz) 6½ ^[3] | 0.14 | Memory | |
| | | 1 | Battery Backed, 4 year typical life ^[6] | |
| | | 8 | Readings: | 50,000 readings |
| | | 100 | Time Stamp Resolution: | |
| Frequency, Period: | 6½ Digits (1s gate) 5½ Digits (100 ms) 4½ Digits (10 ms) | 1 | Relative | 1 ms |
| | | 9 | Absolute | 1 s |
| | | 70 | States: | 5 instrument states |
| | | | Alarm Queue: | Up to 20 events |
| System Speeds ^[4] | | | General Specifications | |
| <i>INTO Memory</i> | | | Power Supply: | 100 V / 120 V / 220 V / 240 V ±10% |
| | Ch/s | | Power Line Frequency: | 45 Hz to 66 Hz automatically sensed (12 W) 25 VA peak |
| Single Channel DCV | 490 | | Power Consumption: | Full accuracy for 0 °C to 55 °C |
| 34902A Scanning DCV | 250 | | Operating Environment: | Full accuracy to 80% R.H. at 40 °C |
| 34907A Scanning Digital Input | 250 | | Storage Environment: | -40 °C to 70 °C ^[6] |
| 34902A Scanning DCV, scaling and 1 alarm fail | 220 | | Weight (Mainframe): | Net: 3.6 kg (8.0 lbs) |
| 34907A Scanning Totalize | 170 | | Safety: | Conforms to CSA, UL-1244, IEC 1010 Cat I |
| 34902A Scanning Temperature | 160 | | RFI and ESD: | CISPR 11, IEC 801/2/3/4 |
| 34902A Scanning ACV ^[3] | 100 | | Warranty: | 3 years |
| 34902A Scanning DCV/Ohms, alternate channels | 90 | | | |
| 34901A/34908A Scanning DCV | 60 | | | |
| <i>INTO and OUT of Memory to GPIB or RS-232 (INIT, FETCH)</i> | | | | |
| | | | | |
| 34902A Scanning DCV | 180 | | | |
| 34902A Scanning DCV with Time stamp | 150 | | | |
| <i>OUT of Memory to GPIB ^[5]</i> | | | | |
| | | | | |
| Readings | 800 | | | |
| Readings with Time stamp | 450 | | | |
| Readings with all Format Options ON | 310 | | | |
| <i>OUT of Memory to RS-232</i> | | | | |
| | | | | |
| Readings | 600 | | | |
| Readings with Time stamp | 320 | | | |
| Readings with all Format Options ON | 230 | | | |
| <i>DIRECT to GPIB or RS-232</i> | | | | |
| | | | | |
| Single Channel DCV | 440 | | | |
| 34902A Scanning DCV | 200 | | | |
| Single Channel MEAS DCV 10 or MEAS DCV 1 | 25 | | | |
| Single Channel MEAS DCV or MEAS OHMS | 12 | | | |

- [1] Reading speeds for 60 Hz and (50 Hz) operation; autozero OFF
 [2] For fixed function and range, readings to memory, scaling and alarms off, autozero OFF
 [3] Maximum limit with default settling delays defeated
 [4] Speeds are for 4½ digits, delay 0, display off, autozero off. Using 115 kbaud RS-232 setting.
 [5] Assumes relative time format (time since start of scan)
 [6] Storage at temperatures above 40 °C will decrease battery life

*This ISM device complies with Canadian ICES-001.
 Cet appareil ISM est conforme à la norme NMB-001 du Canada.*



■ Module Specifications

34901A, 34902A, 34908A, 34903A, 34904A

| General | Multiplexer | | | Actuator | Matrix |
|---|--------------------------------|-----------------|-----------------------|-----------------|-----------------|
| | 34901A | 34902A | 34908A | 34903A | 34904A |
| Number of Channels | 20+2 | 16 | 40 | 20 | 4x8 |
| | 2/4 wire | 2/4 wire | 1 wire | SPDT | 2 wire |
| Connects to Internal DMM | Yes | Yes | Yes | No | No |
| Scanning Speed ^[1] | 60 ch/s | 250 ch/s | 60 ch/s | | |
| Open/Close Speed | 120/s | 120/s | 70/s | 120/s | 120/s |
| Maximum Input | | | | | |
| Voltage (dc, ac rms) | 300 V | 300 V | 300 V | 300 V | 300 V |
| Current (dc, ac rms) | 1 A | 50 mA | 1 A | 1 A | 1 A |
| Power (W, VA) | 50 W | 2 W | 50 W | 50 W | 50 W |
| Isolation (ch-ch, ch-earth) dc, ac rms | 300 V | 300 V | 300 V | 300 V | 300 V |
| DC Characteristics | | | | | |
| Offset Voltage ^[2] | < 3 μ V | < 6 μ V | < 3 μ V | < 3 μ V | < 3 μ V |
| Initial Closed Channel R ^[2] | < 1 Ω | < 1 Ω | < 1 Ω | < 0.2 Ω | < 1 Ω |
| Isolation (ch-ch, ch-earth) | > 10 G Ω | > 10 G Ω | > 10 G Ω | > 10 G Ω | > 10 G Ω |
| AC Characteristics | | | | | |
| Bandwidth | 10 MHz | 10 MHz | 10 MHz | 10 MHz | 10 MHz |
| Ch-Ch Cross Talk (dB) ^[3] 10 MHz | -45 | -45 | -18 ^[4] | -45 | -33 |
| Capacitance HI to LO | < 50 pF | < 50 pF | < 50 pF | < 10 pF | < 50 pF |
| Capacitance LO to Earth | < 80 pF | < 80 pF | < 80 pF | < 80 pF | < 80 pF |
| Volt-Hertz Limit | 10 ⁸ | 10 ⁸ | 10 ⁸ | 10 ⁸ | 10 ⁸ |
| Other | | | | | |
| T/C Cold Junction Accuracy ^{[2] [5]} (typical) | 0.8 °C | 0.8 °C | 0.8 °C ^[7] | | |
| Switch Life No Load (typical) | 100M | 100M | 100M | 100M | 100M |
| Switch Life Rated Load (typical) ^[6] | 100k | 100k | 100k | 100k | 100k |
| Temperature Operating | All Modules – 0 °C to 55 °C | | | | |
| Temperature Storage | All Modules – -20 °C to 70 °C | | | | |
| Humidity (non-condensing) | All Modules – 40 °C / 80% R.H. | | | | |

[1] Speeds are for 4½ digits, delay 0, display off, autozero off. Using 115 kbaud RS-232 setting.

[2] Errors included in the DMM measurement accuracy specifications

[3] 50 Ω source, 50 Ω load

[4] Isolation within channel 1 to 20 or 21 to 40 banks is -40 dB

[5] Thermocouple specifications not guaranteed when 34907A module is present

[6] Applies to resistive loads only

[7] Thermocouple measurements not recommended with 34908A module due to common LO configuration.

■ Module Specifications

34905A, 34906A

| General | RF Multiplexer | |
|---|------------------|-----------------|
| | 34905A | 34906A |
| Number of Channels | Dual 1x4 50Ω | Dual 1x4 75Ω |
| Open/Close Speed | 60/s | |
| Maximum Input | | |
| Voltage (dc, ac rms) | 42 V | |
| Current (dc, ac rms) | 0.7 A | |
| Power (W, VA) | 20 W | |
| DC Characteristics | | |
| Offset Voltage ^[1] | < 6 μV | |
| Initial Closed Channel R ^[1] | < 0.5Ω | |
| Isolation (ch-ch, ch-earth) | > 1 GΩ | |
| Other | | |
| Switch Life No Load (typical) | 5M | |
| Switch Life Rated Load (typical) ^[2] | 100k | |
| Temperature Operating | 0 °C to 55 °C | |
| Temperature Storage | -20 °C to 70 °C | |
| Humidity (non-condensing) | 40 °C / 80% R.H. | |

The ac performance graphs are shown on the following page.

| AC Characteristics | 34905A | 34906A |
|--------------------------------------|------------------|--------|
| Bandwidth ^[3] | 2 GHz | 2 GHz |
| Insertion Loss (dB) | 10 MHz | -0.1 |
| | 100 MHz | -0.4 |
| | 500 MHz | -0.6 |
| | 1 GHz | -1.0 |
| | 1.5 GHz | -1.5 |
| | 2 GHz | -3.0 |
| SWR | 10 MHz | 1.02 |
| | 100 MHz | 1.05 |
| | 500 MHz | 1.20 |
| | 1 GHz | 1.20 |
| | 1.5 GHz | 1.30 |
| | 2 GHz | 1.40 |
| Ch-Ch Cross Talk (dB) ^[4] | 10 MHz | -100 |
| | 100 MHz | -85 |
| | 500 MHz | -65 |
| | 1 GHz | -55 |
| | 1.5 GHz | -45 |
| | 2 GHz | -35 |
| Risetime | < 300 ps | |
| Signal Delay | < 3 ns | |
| Capacitance HI to LO | < 20 pF | |
| Volt-Hertz Limit | 10 ¹⁰ | |

[1] Errors included in DMM measurement accuracy specifications

[2] Applies to resistive loads only

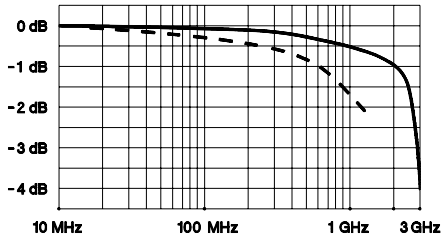
[3] Bandwidth direct to module SMB connectors

[4] 50Ω source, 50Ω load

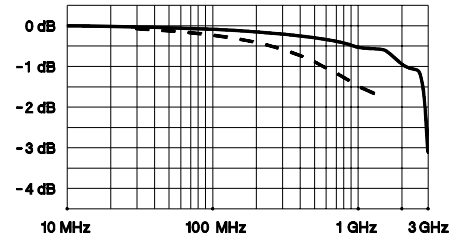
■ Typical AC Performance Graphs

34905A, 34906A

Insertion Loss (50Ω)

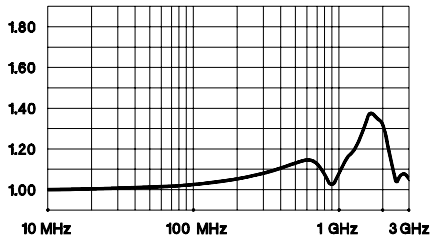


Insertion Loss (75Ω)

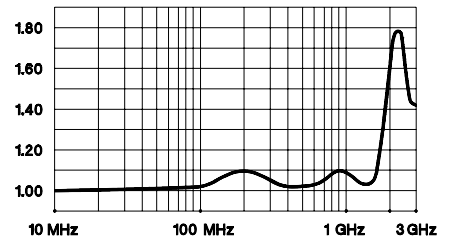


— Direct to Module
- - - - Using provided adapter cables

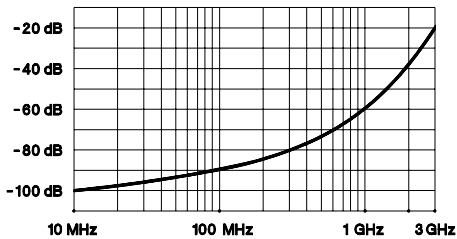
VSWR (50Ω)



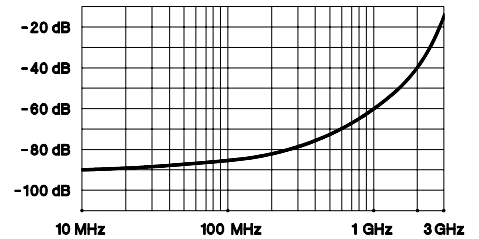
VSWR (75Ω)



Crosstalk (50Ω)



Crosstalk (75Ω)



■ Module Specifications

34907A

Digital Input / Output

| | |
|-------------------|--|
| Port 1, 2: | 8 Bit, input or output, non-isolated |
| Vin(L): | < 0.8V (TTL) |
| Vin(H): | > 2.0V (TTL) |
| Vout(L): | < 0.8V @ Iout = -400 mA |
| Vout(H): | > 2.4V @ Iout = 1 mA |
| Vin(H) Max: | < 42V with external open drain pull-up |
| Alarming: | Maskable pattern match or state change |
| Speed | 4 ms (max) alarm sampling |
| Latency | 5 ms (typical) to 34970A alarm output |
| Read/Write Speed: | 95/s |

Totalize Input

| | |
|-----------------|---|
| Maximum Count: | 2 ²⁶ - 1 (67,108,863) |
| Totalize Input: | 100 kHz (max), rising or falling edge, programmable |
| Signal Level: | 1 Vp-p (min) 42 Vpk (max) |
| Threshold: | 0V or TTL, jumper selectable |
| Gate Input: | TTL-Hi, TTL-Lo, or none |
| Count Reset: | Manual or Read+Reset |
| Read Speed: | 85/s |

Analog Voltage (DAC) Output

| | |
|-------------------|---------------------------------------|
| DAC 1, 2: | ±12V, non-isolated (earth referenced) |
| Resolution: | 1 mV |
| Iout: | 10 mA max ^[1] |
| Settling Time: | 1 ms to 0.01% of output |
| Accuracy: | ±(% of output + mV) |
| 1 year ±5 °C | 0.25% + 20 mV |
| Temp Coefficient: | ±(0.015% + 1 mV) / °C |

[1] Limited to 40 mA total for all three slots (six DAC channels)

■ Software Specifications

BenchLink Data Logger *(not included with Option 001)*

System Requirements ^[1]

| | |
|-------------------|--|
| PC Hardware: | 486, 66 MHz, 16 MB RAM, 12 MB disk space |
| Operating System: | Windows® 3.1, Windows 95, Windows NT® 4.0 |

Computer Interfaces ^[2]

| | |
|-----------------------|--|
| GPIB: | Agilent 82335B, 82340A/B/C, 82341A/B/C/D National Instruments AT-GPIB/TNT, PCI-GPIB |
| LAN-to-GPIB: | Agilent E5810A (Windows 98/Me/ NT/2000/XP Professional) |
| RS-232 (Serial Port): | PC COM 1 to 4 |

Performance ^[3]

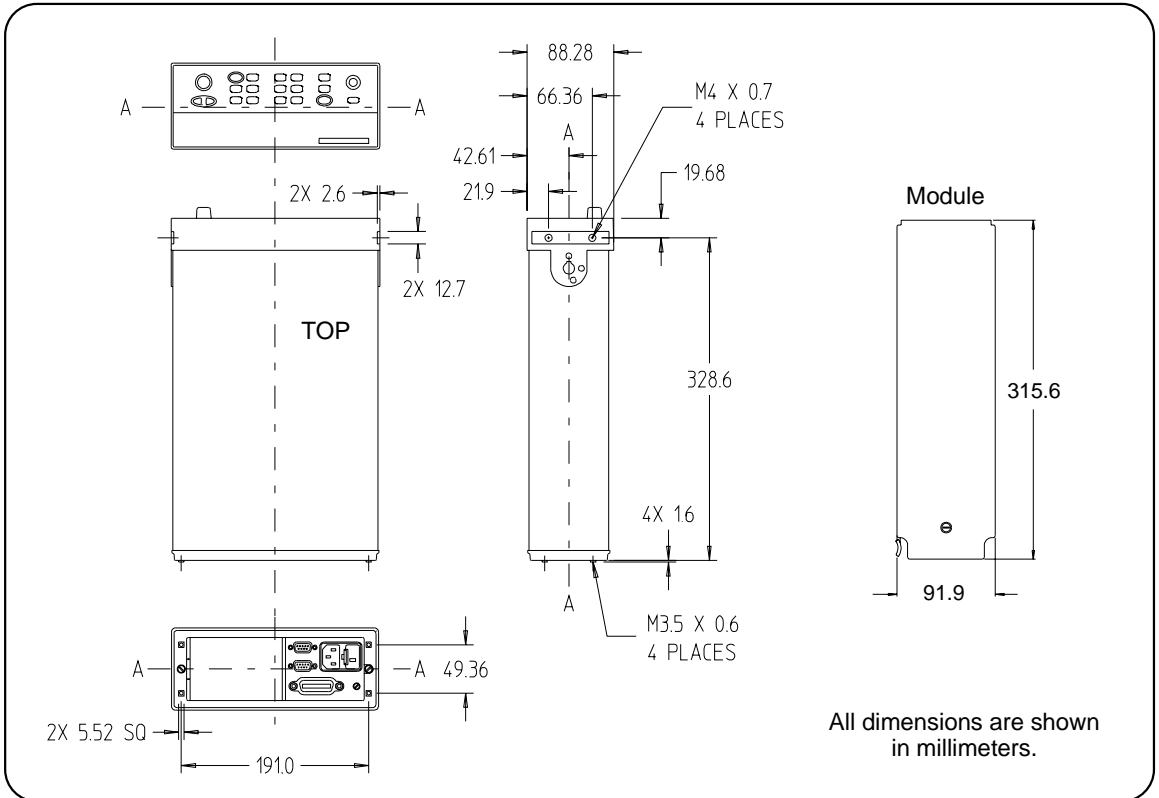
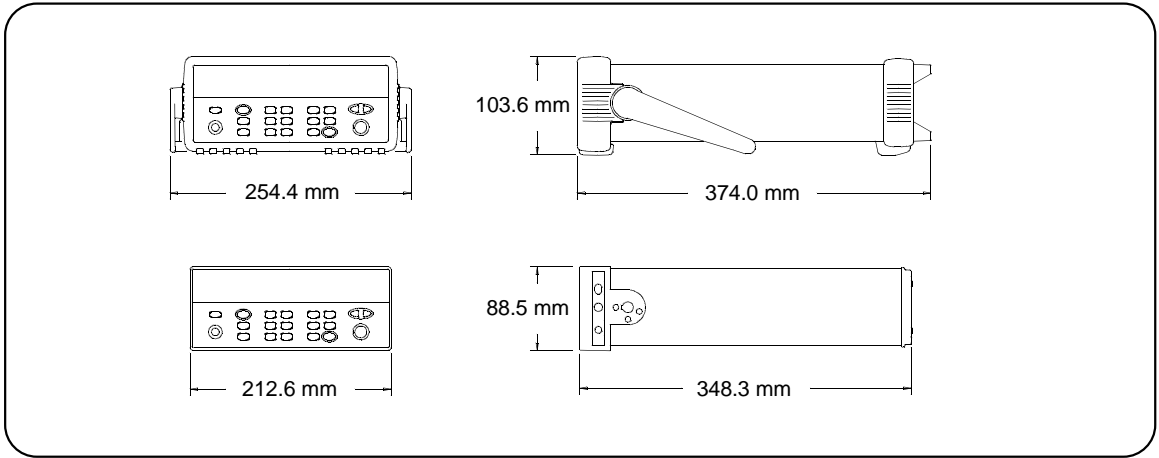
| | |
|------------------------|------------------------------------|
| Scan and Save to Disk: | 100 ch/s, 2 strip charts displayed |
|------------------------|------------------------------------|

[1] Software provided on CD-ROM; includes utility to create floppy disks for installation

[2] Interface and drivers must be purchased and installed separately

[3] 90 MHz Pentium®, 20 MB RAM

■ **Product and Module Dimensions**



All dimensions are shown
in millimeters.

To Calculate Total Measurement Error

Each specification includes correction factors which account for errors present due to operational limitations of the internal DMM. This section explains these errors and shows how to apply them to your measurements. Refer to “Interpreting Internal DMM Specifications,” starting on page 416, to get a better understanding of the terminology used and to help you interpret the internal DMM’s specifications.

The internal DMM’s accuracy specifications are expressed in the form: (*% of reading + % of range*). In addition to the reading error and range error, you may need to add additional errors for certain operating conditions. Check the list below to make sure you include all measurement errors for a given function. Also, make sure you apply the conditions as described in the footnotes on the specification pages.

- If you are operating the internal DMM outside the $23\text{ }^{\circ}\text{C} \pm 5\text{ }^{\circ}\text{C}$ temperature range specified, apply an additional *temperature coefficient error*.
- For dc voltage, dc current, and resistance measurements, you may need to apply an additional *reading speed error*.
- For ac voltage and ac current measurements, you may need to apply an additional *low frequency error* or *crest factor error*.

Understanding the “% of reading” Error The *reading error* compensates for inaccuracies that result from the function and range you select, as well as the input signal level. The reading error varies according to the input level on the selected range. This error is expressed in percent of reading. The following table shows the reading error applied to the internal DMM’s 24-hour dc voltage specification.

| Range | Input Level | Reading Error (% of reading) | Reading Error Voltage |
|--------|-------------|------------------------------|-------------------------------|
| 10 Vdc | 10 Vdc | 0.0015 | $\leq 150\text{ }\mu\text{V}$ |
| 10 Vdc | 1 Vdc | 0.0015 | $\leq 15\text{ }\mu\text{V}$ |
| 10 Vdc | 0.1 Vdc | 0.0015 | $\leq 1.5\text{ }\mu\text{V}$ |

Understanding the “% of range” Error The *range error* compensates for inaccuracies that result from the function and range you select. The range error contributes a constant error, expressed as a percent of range, *independent* of the input signal level. The following table shows the range error applied to the DMM’s 24-hour dc voltage specification.

| Range | Input Level | Range Error (% of range) | Range Error Voltage |
|--------|-------------|--------------------------|---------------------|
| 10 Vdc | 10 Vdc | 0.0004 | ≤ 40 μV |
| 10 Vdc | 1 Vdc | 0.0004 | ≤ 40 μV |
| 10 Vdc | 0.1 Vdc | 0.0004 | ≤ 40 μV |

Total Measurement Error To compute the total measurement error, add the reading error and range error. You can then convert the total measurement error to a “percent of input” error or a “ppm (part-per-million) of input” error as shown below.

$$\% \text{ of input error} = \frac{\text{Total Measurement Error}}{\text{Input Signal Level}} \times 100$$

$$\text{ppm of input error} = \frac{\text{Total Measurement Error}}{\text{Input Signal Level}} \times 1,000,000$$

Example: Computing Total Measurement Error

Assume that a 5 Vdc signal is input to the DMM on the 10 Vdc range. Compute the total measurement error using the 90-day accuracy specification of ±(0.0020% of reading + 0.0005% of range).

$$\text{Reading Error} = 0.0020\% \times 5 \text{ Vdc} = 100 \mu\text{V}$$

$$\text{Range Error} = 0.0005\% \times 10 \text{ Vdc} = 50 \mu\text{V}$$

$$\begin{aligned} \text{Total Error} &= 100 \mu\text{V} + 50 \mu\text{V} = \pm 150 \mu\text{V} \\ &= \pm 0.0030\% \text{ of } 5 \text{ Vdc} \\ &= \pm 30 \text{ ppm of } 5 \text{ Vdc} \end{aligned}$$

Interpreting Internal DMM Specifications

This section is provided to give you a better understanding of the terminology used and will help you interpret the internal DMM's specifications.

Number of Digits and Overrange

The “number of digits” specification is the most fundamental, and sometimes, the most confusing characteristic of a multimeter. The number of digits is equal to the maximum number of “9’s” the multimeter can measure or display. This indicates the number of *full digits*. Most multimeters have the ability to overrange and add a partial or “½” digit.

For example, the internal DMM can measure 9.99999 Vdc on the 10 V range. This represents six full digits of resolution. The internal DMM can also overrange on the 10 V range and measure up to a maximum of 12.00000 Vdc. This corresponds to a 6½-digit measurement with 20% overrange capability.

Sensitivity

Sensitivity is the minimum level that the internal DMM can detect for a given measurement. Sensitivity defines the ability of the internal DMM to respond to small changes in the input level. For example, suppose you are monitoring a 1 mVdc signal and you want to adjust the level to within $\pm 1 \mu\text{V}$. To be able to respond to an adjustment this small, this measurement would require a multimeter with a sensitivity of at least $1 \mu\text{V}$. You could use a 6½-digit multimeter *if* it has a 1 Vdc or smaller range. You could also use a 4½-digit multimeter with a 10 mVdc range.

For ac voltage and ac current measurements, note that the smallest value that can be measured is different from the sensitivity. For the internal DMM, these functions are specified to measure down to 1% of the selected range. For example, the internal DMM can measure down to 1 mV on the 100 mV range.

Resolution

Resolution is the numeric ratio of the maximum displayed value divided by the minimum displayed value on a selected range. Resolution is often expressed in percent, parts-per-million (ppm), counts, or bits. For example, a 6½-digit multimeter with 20% overrange capability can display a measurement with up to 1,200,000 counts of resolution. This corresponds to about 0.0001% (1 ppm) of full scale, or 21 bits including the sign bit. All four specifications are equivalent.

Accuracy

Accuracy is a measure of the “exactness” to which the internal DMM’s measurement uncertainty can be determined *relative* to the calibration reference used. Absolute accuracy includes the internal DMM’s relative accuracy specification plus the known error of the calibration reference relative to national standards (such as the U.S. National Institute of Standards and Technology). To be meaningful, the accuracy specifications must be accompanied with the conditions under which they are valid. These conditions should include temperature, humidity, and time.

There is no standard convention among instrument manufacturers for the confidence limits at which specifications are set. The table below shows the probability of non-conformance for *each specification* with the given assumptions.

| Specification Criteria | Probability of Failure |
|------------------------|------------------------|
| Mean \pm 2 sigma | 4.5% |
| Mean \pm 3 sigma | 0.3% |

Variations in performance from reading to reading, and instrument to instrument, decrease for increasing number of sigma for a given specification. This means that you can achieve greater actual measurement precision for a specific accuracy specification number. The 34970A is designed and tested to meet performance better than mean \pm 3 sigma of the published accuracy specifications.

24-Hour Accuracy

The 24-hour accuracy specification indicates the internal DMM's relative accuracy over its full measurement range for short time intervals and within a stable environment. Short-term accuracy is usually specified for a 24-hour period and for a ± 1 °C temperature range.

90-Day and 1-Year Accuracy

These long-term accuracy specifications are valid for a 23 °C \pm 5 °C temperature range. These specifications include the initial calibration errors plus the internal DMM's long-term drift errors.

Temperature Coefficients

Accuracy is usually specified for a 23 °C \pm 5 °C temperature range. This is a common temperature range for many operating environments. You must add additional temperature coefficient errors to the accuracy specification if you are operating the internal DMM outside a 23 °C \pm 5 °C temperature range (the specification is per °C).

Configuring for Highest Accuracy Measurements

The measurement configurations shown below assume that the internal DMM is in its *Factory Reset* state. It is also assumed that manual ranging is enabled to ensure proper full scale range selection.

DC Voltage, DC Current, and Resistance Measurements:

- Set the resolution to 6 digits (you can use the 6 digits slow mode for further noise reduction).
- Set the input resistance to greater than 10 G Ω (for the 100 mV, 1 V, and 10 V ranges) for the best dc voltage accuracy.
- Use 4-wire ohms and enable offset compensation for the best resistance accuracy.

AC Voltage and AC Current Measurements:

- Set the resolution to 6 digits.
- Select the slow ac filter (3 Hz to 300 kHz).

Frequency and Period Measurements:

- Set the resolution to 6 digits.

Index

If you have questions relating to the operation of the 34970A, call **1-800-452-4844** in the United States, or contact your nearest Agilent Technologies Sales Office.



Warnings

- 34901A, 165
- 34902A, 167
- 34903A, 169
- 34904A, 171
- 34908A, 176
- "½" digit, 100, 416
- 34901A module
 - channel numbering, 164
 - description, 164
 - screw terminal diagram, 165
 - simplified schematic, 164
 - wiring log, 165
 - module overview, 7, 164
 - module specifications, 409
- 34902A module
 - channel numbering, 166
 - description, 166
 - screw terminal diagram, 167
 - simplified schematic, 166
 - wiring log, 167
 - module overview, 7, 166
 - module specifications, 409
- 34903A module
 - channel numbering, 168
 - description, 168, 384
 - screw terminal diagram, 169
 - simplified schematic, 168
 - wiring log, 169
 - module overview, 8, 168
 - module specifications, 409
 - RC protection circuitry, 385
 - snubber circuitry, 385
- 34904A module
 - channel numbering, 170
 - combining matrices, 389
 - description, 170, 388
 - module overview, 8, 170
 - module specifications, 409
 - screw terminal diagram, 171
 - simplified schematic, 170
 - wiring log, 171

- 34905A module (50Ω)
 - ac performance graphs, 411
 - channel numbering, 172
 - description, 172, 390
 - module overview, 8, 172
 - module specifications, 410
 - screw terminal diagram, 173
 - simplified schematic, 172
 - wiring log, 173
- 34906A module (75Ω)
 - ac performance graphs, 411
 - channel numbering, 172
 - description, 172, 390
 - module overview, 8, 172
 - module specifications, 410
 - screw terminal diagram, 173
 - simplified schematic, 172
 - wiring log, 173
- 34907A module
 - 8-bit vs. 16-bit operations, 133, 138
 - ac vs. TTL threshold, 135
 - adding to scan, 133, 136
 - binary format, 42, 133
 - channel numbering, 174
 - clearing the count (totalizer), 136
 - current limitations (DAC), 139, 397
 - decimal format, 42, 133
 - description, 174
 - driving microwave switches, 394
 - gate signal, 135
 - maximum totalizer count, 136
 - screw terminal diagram, 175
 - simplified block diagrams, 174
 - specifications, 412
 - Totalize Threshold* jumper, 135, 175
 - totalizer reset mode, 136
 - using alarms, 130
 - wiring log, 175
- 34908A module
 - channel numbering, 176
 - description, 176
 - screw terminal diagram, 177
 - simplified schematic, 176, 177
 - wiring log, 177
 - module overview, 9, 176
 - module specifications, 409

34970A

- block diagram, 53
- dimensions, 413
- firmware revision, 146
- 4W annunciator, 4
- 50Ω RF switching, 390
- 75Ω RF switching, 390
- *CLS command, 291
- *ESE command, 288
- *ESR? command, 288
- *IDN? command, 265
- *OPC command, 279, 291
- *OPC? command, 279
- *PSC command, 291
- *RCL command, 261
- *RST command, 160, 267, 295
- *SAV command, 261
- *SRE command, 286
- *STB? command, 278, 286
- *TRG command, 82, 230
- *TST? command, 268, 295
- *WAI command, 295

A

- ABORT command, 79, 230
- aborting a scan, 78, 79
- absolute time, 87
- ac bandwidth
 - ac current, 116
 - ac voltage, 114
 - vs. channel delays, 89
- ac current
 - ac filter, 116, 361
 - connections, 21
 - low frequency filter, 116, 361
 - measurement ranges, 21, 116
 - settling time, 116, 361
- ac filter
 - definition, 114, 116, 361
 - vs. channel delays, 89
- ac measurement errors, 341
- ac settling time, 114, 116

- ac voltage measurements
 - ac filter, 114, 361
 - connections, 21
 - loading errors, 364
 - low frequency filter, 114, 361
 - ranges, 21, 113
 - settling time, 114, 361
 - signal conditioning, 359
 - true RMS measurements, 360
 - accuracy, 417
 - accuracy specifications
 - ac measurements, 406
 - dc measurements, 404
 - actuator switching, 59, 384
 - address (GPIB)
 - factory setting, 150
 - selecting, 3, 150
 - address, channel number, 23, 181
 - ADRS annunciator, 4
 - Advanced* key, 36, 104
 - ALARM annunciator, 4, 124
 - alarm data, viewing, 126
 - Alarm* key, 35, 40, 125
 - alarm limits
 - annunciators, 124
 - clearing alarm outputs, 129
 - configuring, 40
 - default settings, 41, 124
 - interaction with Mx+B, 40, 123
 - output connector location, 5
 - output connector pinout, 128
 - output latch mode, 128
 - output slope (polarity), 129
 - output track mode, 128
 - scan on alarm, 84
 - setting limits, 40
 - with readings, 87
 - Alarm Out* key, 35, 129
 - alarm output lines
 - clearing, 129
 - connector location, 5
 - connector pinout, 128
 - latch mode, 128
 - slope (polarity), 129
 - track mode, 128
 - alarm queue, 41
 - clearing, 122, 126
 - number of alarms, 122
 - output format, 127
 - storing alarms, 122, 126
 - alarm register (status)
 - bit definitions, 284
 - clearing bits, 284
 - Alarms* connector, 128
 - alarms
 - alarm output lines, 128
 - annunciators, 124
 - default limit values, 124
 - description, 122
 - front-panel annunciators, 124
 - hardware output lines, 124, 128
 - interaction with Mx+B, 123
 - output connector, 128
 - setting limits, 125
 - status register group, 284
 - storing in alarm queue, 122
 - storing in reading memory, 122
 - viewing alarm queue, 126
 - viewing reading memory, 126
 - while scanning, 75
 - with multifunction module, 130
 - alpha (α) for RTDs
 - default, 110
 - values, 110
 - analog-to-digital conversion
 - explanation, 61
 - integrating technique, 61
 - non-integrating technique, 61
 - annunciators, 4, 124
 - aperture time
 - command syntax, 217
 - definition, 103
 - selecting, 103
 - application programs
 - C and C++, 328
 - Excel 7.0, 321, 322
 - attenuation, 336, 344, 387
 - auto answer (modem), 274
 - automatic channel delays, 89
 - automatic recall, power-down, 48, 77
 - autorange, threshold values, 98
 - autozero
 - definition, 105
 - vs. integration time, 105
 - average responding error, 360
 - average, during scan, 75
 - AWG, wire gauge size, 336
- B**
- "B" (Mx+B scaling offset), 119
 - backplane relays, 164, 166, 276, 383
 - bandwidth (ac)
 - ac current, 116
 - ac voltage, 114
 - vs. channel delays, 89
 - bank switch, 164, 166, 176, 383
 - battery life, 408
 - baud rate (RS-232)
 - factory setting, 47, 152
 - selecting, 47, 152
 - BBM switching, 378
 - BenchLink Data Logger Software
 - creating floppy disks, 19
 - installation, 18, 19
 - on-line help, 19
 - software overview, 6
 - system specifications, 412
 - bias current, dc loading errors, 358
 - binary format, digital read, 42, 133
 - bits, vs. integration time, 103, 203
 - block diagram
 - 34970A, 53
 - internal DMM, 60
 - BNC cable kits
 - 34905A, 173
 - 34906A, 173
 - boolean parameters, 300
 - braces ({}), syntax, 73, 181
 - brackets ([]), syntax, 73, 181
 - break-before-make switching, 378
 - bridge, strain gage, 375
 - buffering triggers, 83
 - bumpers, removing, 30
 - burden voltage, 368

C

C and C++ example programs, 328

cable kits (SMB-to-BNC)

34905A, 173

34906A, 173

cable tie, wiring, 20

cabling

attenuation, 336

capacitance, 336

coaxial, 55

dielectric withstand voltage, 335

errors, 339

flat ribbon, 55

nominal impedance, 335

resistance, 336

RS-232, 17, 51, 273

shielded coaxial, 338

shielding, 338

specifications, 335

twisted pair, 55, 338

types, 55

wire gauge size, 336

calculation error, thermocouple, 353

CALC:AVER command, 92

CALC:AVER:AVER? command, 234

CALC:AVER:CLEAR? command, 234

CALC:AVER:COUNT? command, 234

CALC:AVER:MAX:TIME? command, 233

CALC:AVER:MAX? command, 233

CALC:AVER:MIN:TIME? command, 233

CALC:AVER:MIN? command, 233

CALC:AVER:PTPeak? command, 234

CALC:COMP:DATA command, 253

CALC:COMP:MASK command, 254

CALC:COMP:STATE command, 254

CALC:COMP:TYPE command, 253

CALC:LIM:LOW command, 251

CALC:LIM:LOW:STATE command, 251

CALC:LIM:UPP command, 250

CALC:LIM:UPP:STATE command, 250

CALC:SCALE:GAIN command, 245

CALC:SCALE:OFFS command, 245

CALC:SCALE:OFFS:NULL command, 246

CALC:SCALE:STATE command, 246

CALC:SCALE:UNIT command, 245

calendar

factory setting, 145

setting, 22, 145

calibration certificate, 17

calibration

overview, 155

read count, 159

security code, 155

text message, 158

to secure, 157

to unsecure, 156

CAL:COUNT? command, 292

CAL:SECure:CODE command, 292

CAL:SECure:STATE command, 293

CAL:STRing command, 293

CAL:VALue command, 293

CAL? command, 292

capacitance, cable, 336

capacitive coupling, 338, 381

Card Reset key, 26

carrying handle

adjusting, 29

removing, 29

celsius, setting units, 106

Channel Advance (external scanning)

connector, 5

operation, 96

Channel Closed (external scanning)

connector, 5

operation, 96

channel configuration

copying, 25

front panel, 23

channel delay

automatic, 89

default values, 88

defined, 88

settings, 88

channel list parameters, 301

channel list

building from front panel, 78

building from remote, 79

examples, 73, 181

rules, 73, 181

channel number, with readings, 87

channel numbering, 23

channel numbering

34901A, 164

34902A, 166

34903A, 168

34904A, 170

34905A, 172

34906A, 172

34907A, 174

34908A, 176

chassis ground, 5

clearing reading memory, 75

clock

factory setting, 145

setting the, 22, 145

Close key, 26

coaxial cables, 55, 338

coefficient, temperature, 366

color codes, thermocouples, 351

COM (serial) ports, 273

command summary (SCPI), 181-200

command syntax (SCPI)

conventions, 73, 181

command syntax, 299

version query, 149

common LO multiplexers, 58, 378

common mode noise, 353

condition register (status), 275

CONFIGure command, 79

default settings, 201

description, 202

example, 205

range parameter, 207

resolution parameter, 207

syntax statements, 211

CONFIGure? command, 213

connections

2-wire resistance, 21

4-wire resistance, 21

ac current, 21

ac voltage, 21

dc current, 21

dc voltage, 21

frequency, 21

period, 21

RTD, 21

thermistor, 21

thermocouples, 21

- connector pinout
 - alarm output, 128
 - RS-232, 273
- connector location
 - Alarm output, 5, 128
 - Channel Advance, 5
 - Channel Closed, 5
 - Ext Trig, 5, 83
 - GPIB, 5
 - RS-232, 5
- contact
 - debounce (totalizer), 396
 - protection, 385
 - resistance, 399
- continuous scan count, 86
- conversion accuracy
 - RTD, 345
 - thermistor, 345
 - thermocouple, 345
- copying, channel configuration, 25
- correlated noise, 341, 365
- count (scan)
 - continuous, 38, 86
 - default value, 38, 86
 - settings, 38, 86
- count
 - calibration, 159
 - clearing relay cycles, 148
 - reading relay cycles, 147, 399
- count-down time, 81
- counter
 - adding to scan list, 44
 - manually reset, 44
 - reading count, 44
 - reset mode, 44
- crest factor
 - defined, 362
 - errors, 407
- crosspoint switching, 59
- crossstalk, 411
- CURR:AC:BANDwidth command, 224
- current limitation (DAC), 139, 397
- current measurements
 - ac low frequency filter, 116, 361
 - ac settling time, 116, 361
 - burden voltage, 368
 - connections, 21
 - low frequency filter, 116, 361
 - measurement ranges, 21, 116
 - valid channels, 116
- custom label (Mx+B)
 - displaying " ° " character, 120
 - valid characters, 120
- cycles
 - clearing relay count, 148
 - reading relay count, 147, 399
- D**
- DAC output (34907A)
 - current limitations, 139, 397
 - differential errors, 398
 - integral errors, 398
 - simplified schematic, 397
 - writing to, 45
- data acquisition overview, 50
- data bits (RS-232)
 - factory setting, 152
 - selecting, 152
- data frame format (RS-232), 272
- DATA:LAST? command, 92, 234
- DATA:POINTs? command, 92, 235
- DATA:POINTs:EVENT:THR command, 391
- DATA:REMOve command, 235
- DATA:REMOve? command, 92
- date (calendar)
 - factory setting, 145
 - setting, 22, 145
- dc current
 - connections, 21
 - measurement ranges, 21
- dc voltage
 - bias current, 358
 - common mode noise, 354
 - connections, 21
 - injected current, 356
 - input resistance, 113, 357
 - loading errors, 357
 - measurement ranges, 21, 113
 - signal conditioning, 354
- decimal format (digital input), 42, 133
- declaration of conformity, *inside rear cover*
- default delays (channel delays), 89
- delay (channel delay), 88
- device clear, 302
- DIAG:DMM:CYCL:CLEAr command, 294
- DIAG:DMM:CYCL? command, 294
- DIAG:PEEK:SLOT:DATA? command, 265
- DIAG:POKE:SLOT:DATA command, 265
- DIAG:RELAy:CYCL:CLEAr command, 294
- DIAG:RELAy:CYCL? command, 294
- dielectric withstand voltage, 335
- differential error (DAC), 398
- diffusion error, 352
- digital channels, external scanning, 97
- digital input (34907A)
 - 8-bit vs. 16-bit operations, 133
 - adding to scan list, 42, 133
 - binary format, 42, 133
 - block diagram, 174
 - card reset, 133, 134
 - decimal format, 42, 133
 - scanning, 76
 - simplified schematic, 392
 - using alarms, 130
- digital output (34907A)
 - 8-bit vs. 16-bit operations, 138
 - binary format, 43, 138
 - card reset, 138
 - decimal format, 43, 138
 - driving microwave switches, 394
 - simplified schematic, 393
 - sink current, 393
 - TTL drive capability, 393
- DIG:DATA:BYTE? command, 255
- DIG:DATA:WORD? command, 255
- digits
 - number of, 100
 - vs. integration time, 103, 203
- dimensions
 - 34970A, 413
 - plug-in modules, 413
- DIN/IEC 751, 106
- disabling internal DMM, 96
- discrete parameters, 300
- DISPlay command, 266

- display
 annunciators, 4
 enable/disable, 144
 text message, 144
- DISPlay:TEXT command, 266
- DISPlay:TEXT:CLear command, 266
- dissimilar metals, 340
- DMM (internal)
 block diagram, 343
 field installation kit
See Option 001 Installation Note
 enabling/disabling, 145
 reading relay count, 147
- DTR/DSR flow mode (RS-232), 153
- E**
- E5810A LAN-to-GPIB, 51
- echo commands (modem), 274
- enable register (status), 275
- ERROR annunciator, 4, 142, 304
- error messages, 303-318
- errors
 ac loading, 364
 cabling, 339
 capacitive coupling, 381
 clearing, 142
 common mode noise, 353
 crest factors, 407
 diffusion error, 352
 frequency measurements, 377
 loading, dc voltage, 357
 loading, input bias current, 358
 low-level ac, 341
 magnetic fields, 340
 measurement error, 414
 multiplexing and switching, 381
 period measurements, 377
 reading error queue, 142, 304
 RF multiplexing, 391
 thermal EMF, 340
 thermocouple calculation, 353
 thermocouple reference junction, 352
 totalizer, 396
- event register (status), 275
- example programs
 C and C++, 328
 Excel 7.0, 321
- Excel macro example programs, 321
- Express Exchange program, 10
- EXT annunciator, 4
- Ext Trig* connector, 5, 83, 95
- external DMM
 connections, 95
 scanning with, 95
- external reference (T/C), 107
- external scanning
 connections, 95
 with digital channels, 97
- external trigger
 connector, 5, 83, 95
 scan interval, 80
- F**
- factory reset state, 160
- fahrenheit, setting units, 106
- fast ac filter, 114, 116, 361
- fast timeout, 118
- FETCh? command
 description, 79, 204, 236
 example, 206
- filler panel kit (rack mounting), 31
- filter, ac signal, 114, 116, 117, 361
- firmware revision
 34970A, 146
 plug-in modules, 146
- fixed input range (dc voltage), 113
- fixed reference (thermocouple), 107
- fixed reference junction, 221
- flange kit (rack mounting), 31
- floppy disks (BenchLink), 19
- flow mode (RS-232)
 DTR/DSR mode, 153
 factory setting, 47, 153
 Modem mode, 154
 None (no flow mode), 153
 RTS/CTS mode, 153
 selecting, 47, 153
 XON/XOFF mode, 153
- form C (SPDT) switching, 59, 384
- format
 alarm queue data, 127
 scanned readings, 87
- FORMat:READ:ALARm command, 231
- FORMat:READ:CHANnel command, 231
- FORMat:READ:TIME command, 232, 264
- FORMat:READ:UNIT command, 232
- four-wire multiplexers, 58, 380
- four-wire ohms, 115, 369
- four-wire pairing (RTD), 110
- FREQ:RANGe:LOWer command, 225
- frequency measurements
 low frequency timeout, 118
 sources of error, 377
 connections, 21
- front panel
 annunciators, 4
 defining scan list, 23
 layout, 2
 menu overview, 3, 33
- front-panel display
 enable/disable, 144
 text message, 144
- fuse
 location, 5, 28
 part number, 27
 replacing, 28
 factory setting, 27
- fuseholder assembly, 5, 28
- G**
- gage factor (strain), 374
- gain "M" (Mx+B), 39, 119
- gate signal (totalizer), 135, 396
- gauge, wire size, 336
- GET (Group Execute Trigger), 82
- GP-IB address
 address selection, 46, 151
 cable, 51
 connector, 5
 interface selection, 46, 151
 setting address, 150
 factory address setting, 150
- ground loops, 337, 341
- grounding, 337

- H**
 “half” digit, 100, 416
 handle
 adjusting, 29
 removing, 29
 handshake (RS-232)
 DTR/DSR mode, 153
 factory setting, 47, 153
 Modem mode, 154
 None (no flow mode), 153
 RTS/CTS mode, 153
 selecting, 47, 153
 XON/XOFF mode, 153
 hardware output lines (alarms), 128
 hardware, rack mounting, 31
 high-frequency switching, 390
 humidity, product operating, 408
- I**
 ice bath, 348
 IEEE-488 (GPIB)
 address selection, 46, 151
 cable, 51
 connector, 5
 interface selection, 46, 151
 setting address, 150
 factory address setting, 150
 impedance mismatching, 391
 INITiate command
 description, 79, 204, 230
 example, 206
 injected current, dc voltage, 356
 input resistance
 dc loading errors, 357
 dc voltage, 113, 114, 357
 INPut:IMP:AUTO command, 114, 223
 insertion loss, 391, 411
 installing
 BenchLink Data Logger software, 18
 module into mainframe, 20
 instrument preset state, 161
 instrument state storage
 definition, 48
 front-panel operation, 141
 naming states, 48, 140
 power-down recall, 140
 remote operation, 141
 INST:DMM command, 243, 267
 INST:DMM:INST? command, 243, 267
 integral error (DAC), 398
 integrating ADC, 61
 integration time
 command syntax, 218
 definition, 103
 selecting, 103
 vs. channel delays, 89
 vs. normal mode rejection, 405
 vs. number of bits, 103, 203
 vs. number of digits, 103, 203
 vs. reading speed, 405, 407
 vs. resolution, 103, 203
 interface, GPIB (IEEE-488)
 address selection, 46, 151
 cable, 51
 connector, 5
 interface selection, 46, 151
 setting address, 150
 factory address setting, 150
 interface, RS-232 (serial)
 baud rate, 47
 cable, 51
 flow control, 47
 parity, 47
 stop bits, 47
 Interface key, 36, 46, 151
 internal DMM
 block diagram, 343
 field installation kit
 See *Option 001 Installation Note*
 enabling/disabling, 145
 reading relay count, 147
 internal reference (thermocouple), 107
 internal timer, scan interval, 80
 interval scan
 default value, 81
 resolution, 81
 setting from front panel, 81
 setting from remote, 81
 settings, 81
 Interval key, 35, 81, 97
 interval, scan-to-scan, 38, 80
 IPTS-68 conversions, 110, 222, 346
 isothermal block, 107, 350
 ITS-90 conversions, 110, 222, 246, 405
- J**
 jumper, *Totalize Threshold*, 135, 175
 junction temperature, 347
- K**
 Kelvins, setting units, 106
- L**
 labels
 Mx+B scaling, 39, 120
 stored states, 48
 LAN-to-GPIB Gateway, 51
 language, SCPI summary, 181-200
 language, SCPI syntax
 conventions, 73, 181
 command syntax, 299
 version query, 149
 LAST annunciator, 4
 latch mode, alarm output lines, 128
 limits (alarms)
 annunciators, 124
 clearing alarm outputs, 129
 configuring, 40
 default settings, 41, 124
 interaction with Mx+B, 40, 123
 output connector location, 5
 output connector pinout, 128
 output latch mode, 128
 output slope (polarity), 129
 output track mode, 128
 scan on alarm, 84
 setting limits, 40
 with readings, 87
 line voltage
 factory setting, 27
 fuse, 27
 selection, 27
 selector module, 5, 28
 loading errors
 ac voltage, 364
 dc input resistance, 357
 input bias current, 358
 lock-link kit (rack mounting), 31
 long form, SCPI commands, 297
 low frequency limit
 ac current, 116
 frequency, 118

M

"M" (Mx+B scaling gain), 119
 magnetic field errors, 340
 mainframe
 firmware revision, 146
 installing a module, 20
 maintenance
 clearing relay count, 148
 reading relay count, 147, 399
 matrix switching, combining, 388
 MAX annunciator, 4
 maximum reading, during scan, 75
Measure key, 23, 24, 35, 36, 78
 MEASure? command, 79
 default settings, 201
 description, 202
 example, 205
 range parameter, 207
 resolution parameter, 207
 syntax statements, 207
Measurement Complete signal, 95
 measurement error, calculating, 414
 measurement range
 autorange, 98
 command syntax, 215
 overload, 98
 selecting, 99
 measurement resolution
 "half" digit, 100
 command syntax, 216
 selecting, 101
 vs. integration time, 103, 203

 measurement speeds, scanning, 405
 measurement tutorial, 333
 medium ac filter, 114, 116, 361
 medium timeout, 118
 MEM annunciator, 4
 memory
 overflow, 280
 reading scanned readings, 90
 threshold (status register), 391
 viewing alarm data, 126
 viewing scanned data, 24
 MEM:NStates? command, 263
 MEM:STATe:DELeTe command, 262
 MEM:STATe:NAME command, 262

MEM:STATe:RECall:AUTO command, 263
 MEM:STATe:VALId? command, 263
 menus
 front panel, 3, 33
 summary, 35
 message available, 279
 message
 calibration, 158
 front-panel display, 144
 errors, 303-318
 Microsoft® Visual C++, 328
 microwave switches, driving, 394
 MIN annunciator, 4
 minimum reading, during scan, 75
 modem
 auto answer, 274
 connection to, 274
 echo commands, 274
 flow control mode (RS-232), 154
 result codes, 274
 module description
 34901A, 164
 34902A, 166
 34903A, 168
 34904A, 170
 34905A, 172
 34906A, 172
 34907A, 174
 34908A, 176
 module information
 connecting wiring, 20
 default settings, 162
 dimensions, 413
 firmware revision, 146
 installing in mainframe, 20
 reading relay count, 147
 specifications, 409
 strain relief, 20
 MON annunciator, 4
Mon key, 37, 94
 Monitor function
 definition, 93
 scan on alarm, 84, 94
 while scanning, 75
 with alarms, 93
 with Mx+B scaling, 93
 multiplexer types, 378

multiplexers

errors, 381
 four-wire, 58, 380
 one-wire (single-ended), 58, 378
 two-wire, 58, 378
 VHF, 58
Mx+B key, 35, 39
 Mx+B scaling
 custom label, 39, 120
 default gain ("M"), 121
 default offset ("B"), 121
 equation used, 119
 interaction with alarms, 119
 null stored as offset, 119
 setting gain ("M"), 39, 121
 setting offset ("B"), 39, 121
 strain measurements, 375
 valid gain ("M") values, 120
 valid offset ("B") values, 120
 while scanning, 75, 119

N

name, stored states, 48
 noise caused by ground loops, 341
 noise rejection, normal mode, 103
 nominal impedance, cabling, 335
 nominal resistance (RTD)
 default, 110, 222
 values, 110, 222
 normal mode rejection, 103, 344, 405
 NPLC, 103, 344, 405
 command syntax, 218
 vs. channel delays, 89
 null, stored as offset (Mx+B), 119
 number of bits
 vs. integration time, 103, 203
 number of digits, 100, 416
 vs. integration time, 103, 203
 numeric parameters, 300

- O**
- OC annunciator, 4
 - offset "B" (Mx+B scaling), 39, 119
 - offset compensation, 115, 371
 - offset voltages, 105
 - On/Standby switch, 17
 - ONCE annunciator, 4
 - Open key, 26
 - "OPEN T/C" message, 107, 221
 - operating system requirements, 412
 - Option 001 (internal DMM)
 - See *Option 001 Installation Note*
 - output format, alarm queue data, 127
 - output lines, alarms, 124, 128
 - OUTP:ALARm:CLEAr command, 252
 - OUTP:ALARm:CLEAr:ALL command, 252
 - OUTP:ALARm:MODE command, 252
 - OUTP:ALARm:SLOPe command, 252
- P**
- parameter types (SCPI), 300
 - parity (RS-232)
 - factory setting, 152
 - selecting, 47, 152
 - pastings, channel configuration, 25
 - period measurements
 - connections, 21
 - sources of error, 377
 - PLC, 103, 344, 405
 - command syntax, 218
 - vs. channel delays, 89
 - plug-in module description
 - 34901A, 164
 - 34902A, 166
 - 34903A, 168
 - 34904A, 170
 - 34905A, 172
 - 34906A, 172
 - 34907A, 174
 - 34908A, 176
 - plug-in module information
 - connecting wiring, 20
 - default settings, 162
 - dimensions, 413
 - firmware revision, 146
 - installing in mainframe, 20
 - reading relay count, 147
 - strain relief, 20
 - specifications, 409
 - poisson strain, 373
 - polarity, alarm output lines, 129
 - ports, serial (COM), 273
 - power consumption, 408
 - power cord, 17
 - power failure, during scan, 77
 - power line cycles, 103, 344
 - Power (Standby) switch, 17
 - power-down recall, 48, 77, 140
 - power-line fuse
 - location, 5, 28
 - part number, 27
 - replacing, 28
 - factory setting, 27
 - power-line voltage
 - factory setting, 27
 - fuse, 27
 - selection, 27
 - selector module, 5, 28
 - power-line, rejecting noise, 344
 - preset state, 161
 - printing history, *inside front cover*
 - product dimensions, 413, 414
 - programming examples
 - C and C++, 328, 329
 - Excel 7.0, 321, 322, 323
 - programming language
 - command summary, 181-200
 - syntax conventions, 181
 - programming, overview, 201-206
 - PT100 (RTD), 110, 346
- Q**
- questionable data register
 - bit definitions, 280
 - clearing bits, 281
 - Quick Start Kit, 17
- R**
- R₀ (RTD)
 - default, 110
 - range, 110
 - R? command, 236
 - rack mounting
 - filler panel, 31
 - flange kit, 31
 - lock-link kit, 31
 - removing bumpers, 30
 - removing handle, 30
 - sliding-shelf kit, 31
 - radio frequency interference, 339
 - random noise, 377
 - range
 - autorange, 98
 - command syntax, 215
 - overload, 98
 - selecting, 99
 - ranges by function
 - 2-wire ohms, 21, 116
 - 4-wire ohms, 21, 115
 - ac current, 21, 116
 - ac voltage, 21, 113
 - dc current, 21, 116
 - dc voltage, 21, 113
 - RC protection circuitry, 385
 - Read key, 42, 44
 - READ? command, 79, 204, 230
 - description, 202
 - examples, 205
 - reading format, 87
 - readings memory, storing alarms, 122
 - readings, viewing, 24, 90
 - real-time clock
 - factory setting, 145
 - setting, 22, 145
 - rear panel
 - pictorial overview, 5
 - external scanning, 95
 - recall power-down state, 140
 - reference junction (thermocouple)
 - definition, 107
 - external reference, 107
 - fixed temperature, 107
 - internal reference, 107
 - reference channel, 107, 220

-
- reference thermocouple, 349
 - register diagram (status), 276
 - relative time, 87
 - relay contact protection, 385
 - relay contact resistance, 399
 - relay cycle count
 - clearing, 148
 - estimating relay life, 399
 - reading, 147, 399
 - relay life
 - relay maintenance system, 399
 - vs. load switched, 400
 - vs. relay life, 400
 - relay maintenance system
 - clearing relay count, 148
 - reading relay count, 147, 399
 - remote interface, GPIB (IEEE-488)
 - address selection, 46, 151
 - cable, 51
 - connector, 5
 - interface selection, 46, 151
 - setting address, 150
 - factory address setting, 150
 - remote interface, RS-232 (serial)
 - baud rate, 47
 - cable, 51
 - flow control, 47
 - parity, 47
 - stop bits, 47
 - RES:OCOMPensated command, 224
 - reset mode, totalizer, 44, 76
 - resistance ladder, 384
 - resistance measurements
 - 2-wire ohms, 369
 - 4-wire ohms, 369
 - connections, 21
 - nominal (RTD), 110, 222
 - offset compensation, 115, 371
 - ranges, 21
 - resolution, 417
 - "half" digit, 100
 - command syntax, 216
 - selecting, 101
 - vs. integration time, 103, 203
 - result codes (modem), 274
 - revision number (firmware)
 - 34970A, 146
 - plug-in modules, 146
 - RF cable kits (SMB-to-BNC), 173
 - RF multiplexers
 - insertion loss, 391
 - performance graphs, 411
 - sources of error, 391
 - VSWR, 391
 - RFI radiation, 339
 - ribbon cables, 55
 - RMT annunciator, 4
 - rosette (strain gage), 374
 - ROUTE:CHAN:ADV:SOUR command, 97
 - ROUTE:CHAN:DELAy command, 88, 229
 - ROUTE:CHAN:DELAy:AUTO command, 230
 - ROUTE:CHAN:FWIRe command, 97, 243
 - ROUTE:CHAN:ADV:SOUR command, 242
 - ROUTE:CLOSe command, 259
 - ROUTE:CLOSe:EXCL command, 259
 - ROUTE:DONE? command, 260
 - ROUTE:MON:DATA? command, 94
 - ROUTE:MON:STATE command, 94
 - ROUTE:MON command, 238
 - ROUTE:MONitor:DATA? command, 238
 - ROUTE:MON:STATE command, 238
 - ROUTE:OPEN command, 259, 260
 - ROUTE:SCAN command, 79, 228, 240
 - ROUTE:SCAN:SIZE? command, 228, 240
 - RS-232 (serial) interface
 - baud rate, 152
 - cables, 17, 51, 273
 - connection to computer, 272
 - connector location, 5
 - connector pinout, 273
 - data frame format, 272
 - flow mode, 153
 - selecting interface, 151
 - parity, 152
 - troubleshooting, 273
 - RTD measurements, 110
 - alpha (α), 110
 - conversion accuracy, 345
 - measurement tutorial, 346
 - connections, 21
 - measurement units, 106
 - supported types, 21, 106
 - RTS/CTS flow mode (RS-232), 153
 - rubber bumpers, removing, 30
- S**
- safety information, *inside front cover*
 - Sample (*) annunciator, 4
 - sample programs
 - C and C++, 328
 - Excel 7.0, 321
 - scale, temperature units, 106
 - scaling (Mx+B)
 - custom label, 39, 120
 - default gain ("M"), 121
 - default offset ("B"), 121
 - equation used, 119
 - interaction with alarms, 119
 - null stored as offset, 119
 - setting gain ("M"), 39, 121
 - setting offset ("B"), 39, 121
 - strain measurements, 375
 - valid gain ("M") values, 120
 - valid offset ("B") values, 120
 - while scanning, 75, 119
 - SCAN annunciator, 4
 - scan configuration, copying, 25
 - scan configuration, front panel, 23
 - scan count
 - continuous, 38, 86
 - default value, 38, 86
 - settings, 38, 86
 - scan interval
 - default value, 38, 81
 - resolution, 81
 - setting from front panel, 81
 - setting from remote, 81
 - Scan key, 24, 78
 - scan list
 - adding channels to, 78
 - building from front panel, 78
 - building from remote, 79
 - defining, 23, 24
 - examples, 73, 181
 - reading digital input, 42
 - reading totalizer count, 44
 - rules, 73, 181
 - scan sweep, defined, 78, 80
-

- scanning
- aborting scan, 78, 79
 - alarm mode, 84
 - channel delay, 88
 - clearing memory, 75, 78, 79
 - external mode, 83
 - external scan with digital input, 97
 - initiating from front panel, 78
 - initiating from remote, 79
 - interval (timer) mode, 81
 - interval trigger, 80
 - manual (once) mode, 82
 - memory overview, 74
 - modules allowed, 74
 - on alarm, 84
 - power failure, 77
 - reading format, 87
 - readings stored in memory, 74
 - removing modules during, 76
 - rules, 74
 - scan once (manual) mode, 82
 - speeds, 408
 - statistics, 75
 - stopping scan, 81
 - storing readings, 76
 - timer (interval) mode, 81
 - viewing readings, 90
 - with alarms, 75
 - with digital input channels, 76
 - with external instrument, 95
 - with Monitor function, 75
 - with Mx+B scaling, 75
 - with totalizer channels, 76
- SCPI language
- command long form, 297
 - command short form, 297
 - command summary, 181-200
 - command syntax, 299
 - introduction, 296
 - parameter types, 300
 - status register system, 275
 - syntax conventions, 73, 181
 - terminators, 299
 - version query, 149
- screw terminal diagram
- 34901A, 165
 - 34902A, 167
 - 34903A, 169
 - 34904A, 171
 - 34905A, 173
 - 34906A, 173
 - 34907A, 175
 - 34908A, 177
- screw terminal connections
- ac current, 21
 - ac voltage, 21
 - dc current, 21
 - dc voltage, 21
 - frequency, 21
 - period, 21
 - resistance, 21
 - RTDs, 21
 - thermistors, 21
 - thermocouples, 21
 - wire strain relief, 20
 - wire strip length, 20
- secure calibration, 157
- security code (calibration)
- factory setting, 155
 - to change, 157
- self test
- complete, 17, 143
 - failure, 17
 - power-on, 17, 143
- sense connections, 380
- sense connections (RTD), 110
- sensitivity, 416
- sensor types, 56
- serial (COM) ports, 273
- serial (RS-232) interface
- baud rate, 152
 - cables, 17, 51, 273
 - connection to computer, 272
 - connector location, 5
 - connector pinout, 273
 - data frame format, 272
 - flow mode, 153
 - selecting interface, 151
 - parity, 152
 - troubleshooting, 273
- serial poll, 278
- service request (SRQ), 278
- settling delay
- automatic, 89
 - default value, 88
 - defined, 88
 - settings, 88
- settling time, 372
- settling time, ac voltage, 361
- shearing strain, 373
- shielding, 338
- shielding, thermocouple wire, 353
- SHIFT annunciator, 4, 16
- Shift key, 16
- short form, SCPI commands, 297
- shunt impedance, 353
- signal conditioning, 61
- signal conditioning
- ac voltage, 359
 - dc voltage, 354
- simplified schematic
- 34901A, 164
 - 34902A, 166
 - 34903A, 168
 - 34904A, 170
 - 34905A, 172
 - 34906A, 172
 - 34907A, 174
 - 34908A, 176
- single-channel Monitor, 93, 94
- sink current, digital output, 393
- sliding-shelf kit (rack mounting), 31
- slope, alarm output lines, 129
- slot numbering, 5
- slow ac filter, 114, 361
- slow timeout, 118
- SMB cable kits, 173
- snubber circuitry, 385
- software (BenchLink Data Logger)
- creating floppy disks, 19
 - installation, 18, 19
 - on-line help, 19
 - overview, 6
 - system requirements, 412
- source connections, 380
- source connections (RTD), 110

-
- SOUR: DIG: DATA: BYTE command, 258
 SOUR: DIG: DATA: WORD command, 258
 SOUR: DIG: STATE? command, 258
 SOUR: VOLTage command, 258
 SCPI language, short form, 297
 SPDT (Form C) switching, 59, 384
 specifications, 203-220
 - ac accuracy, 406
 - BenchLink Data Logger, 412
 - dc accuracy, 404
 - plug-in modules, 409
 - speed, scanning, 405, 407
 standard event register
 - bit definitions, 282
 - clearing bits, 283
 standard operation register
 - bit definitions, 285
 - clearing bits, 285
 Standby (Power) switch, 17
 state storage
 - definition, 48
 - front-panel operation, 141
 - naming states, 48, 140
 - power-down recall, 140
 - remote operation, 141
 statistics, while scanning, 75
 status byte
 - bit definitions, 277
 - clearing bits, 277
 status register
 - alarm register, 284
 - condition register, 275
 - enable register, 275
 - example program, 330
 - event register, 275
 - questionable data register, 280
 - register diagram, 276
 - standard event register, 282
 - standard operation register, 285
 - status byte, 277
 STATus: ALARm: COND? command, 289
 STATus: ALARm: ENABle command, 289
 STATus: ALARm: EVEnt? command, 289
 STATus: OPER: COND? command, 290
 STATus: OPER: ENABle command, 290
 STATus: OPER: EVEnt? command, 290
 STATus: PRESet? command, 291
 STATus: QUES: COND? command, 287
 STATus: QUES: ENABle command, 287
 STATus: QUES: EVEnt? command, 287
Step key, 24, 78
Sto/Rcl key, 36, 48
 stop bits (RS-232), 270
 stopping scan, 81
 stored states
 - definition, 48
 - front-panel operation, 141
 - naming states, 48, 140
 - power-down recall, 140
 - remote operation, 141
 strain gage
 - common uses, 374
 - gage factor, 374
 - measurements, 120, 373
 - Mx+B equations, 120
 - poisson strain, 373
 - rosette, 374
 - shearing strain, 373
 - Wheatstone bridge, 375
 strain relief, 20, 335
 stress (strain gage), 373
 string parameters, 301
 strip length, wiring, 20
 sweep (scan), defined, 78, 80
 switch contact resistance, 399
 switch life, 399
 switch types
 - form C (SPDT), 59
 - matrix, 59
 - multiplexer, 58, 378
 switching, errors, 381
 syntax, SCPI conventions, 73, 181
 system cabling, 55, 335
 system clock
 - factory setting, 145
 - setting the, 22, 145
 system speeds, 408
 SYSTem: ALARm? command, 251, 268
 SYSTem: CPOn command, 260, 295
 SYSTem: CTYPe? command, 265
 SYSTem: DATE command, 264
 SYSTem: ERROr? command, 268, 304
 SYSTem: INTErface command, 269
 SYSTem: LOCaL command, 269
 SYSTem: PRESet command, 161, 267
 SYSTem: REMote command, 269
 SYSTem: RWLock command, 269
 SYSTem: TIME command, 264
 SYSTem: TIME: SCAN? command, 236
 SYSTem: VERSIon?, 268, 295
 SYSTem: VERSIon? command, 268
- ## T
- TEMP: TRAN: FRTD: RES command, 222
 TEMP: TRAN: FRTD: TYPE command, 222
 TEMP: TRAN: RTD: RES command, 222
 TEMP: TRAN: RTD: TYPE command, 222
 TEMP: TRAN: TC: CHECK command, 221
 TEMP: TRAN: TC: RJUN command, 221
 TEMP: TRAN: THER: TYPE command, 222
 TEMP: TRAN: TC: RJUN: TYPE command, 220
 TEMP: TRAN: TC: TYPE command, 220
 TEMP: TRAN: TYPE command, 219
 temperature coefficient, 366
 temperature conversion accuracy, 345
 temperature measurements
 - RTDs, 110
 - thermistors, 112
 - thermocouples, 107
 temperature units, 106
 temperature, product operating, 408
 terminal connections
 - ac current, 21
 - ac voltage, 21
 - ac current, 21
 - dc voltage, 21
 - frequency, 21
 - period, 21
 - resistance, 21
 - RTDs, 21
 - thermistors, 21
 - thermocouples, 21
 - wire strain relief, 20
 - wire strip length, 20
 thermal EMF errors, 340
 thermocouple, metals used, 351
 thermistors
 - connections, 21
 - conversion accuracy, 345
 - measurement tutorial, 112, 346
 - measurement units, 106
 - types supported, 21, 106

- Thermocouple Check* feature, 107, 221
- thermocouples
- calculation error, 353
 - color codes, 351
 - conversion accuracy, 345
 - connections, 21
 - diffusion error, 352
 - external reference, 107
 - fixed reference, 107
 - internal reference, 107
 - isothermal block, 107
 - measurement tutorial, 347
 - measurement units, 106
 - probe accuracy, 351
 - reference junction, 107
 - reference junction error, 352
 - shielding, 353
 - shunt impedance, 353
 - temperature range, 351
 - Thermocouple Check*, 107, 221
 - types supported, 21, 106, 351
- thermoelectric voltages, 340
- threshold, totalize, 135, 136, 137
- time (clock)
- factory setting, 145
 - setting the, 22, 145
- time stamp
- absolute, 87
 - relative, 87
- timeout, low frequency, 118
- torroid, 339
- totalize threshold, 135
- hardware jumper, 395
- TOT:CLEAr:IMMediate command, 257
- TOT:DATA? command, 257
- TOT:SLOPe command, 257
- TOT:TYPE command, 256, 257
- totalizer
- ac vs. TTL threshold, 135
 - adding to scan list, 44, 136
 - block diagram, 395
 - clearing the count, 136
 - contact bounce, 396
 - counting on falling edge, 135
 - counting on rising edge, 135
 - errors, 396
 - gate signal, 135, 396
 - manually reset, 44
 - maximum count, 136, 395
 - overflow, 280
 - reading count, 44
 - reset mode, 44, 76, 136
 - reset mode while scanning, 76
 - scanning, 76
 - Totalize Threshold* jumper, 135
 - track mode, alarm output lines, 128
 - transducer types, 56
 - tree switch, 383
 - triangle brackets (< >), syntax, 73, 181
 - TRIG:SOUR command, 81
 - TRIG:TIMer command, 81
 - TRIGGER command, 82
 - TRIGger:COUNT command, 86, 229, 241
 - TRIGger:SOUR command, 228, 240
 - TRIGger:TIMer command, 229, 241
- triggering
- buffering, 83
 - external, 83
 - scan, 80
- troubleshooting
- error messages, 303-318
 - RS-232, 273
- true RMS, 360
- TTL drive, digital output, 393
- tutorial, 333
- twisted pair cables, 55
- two-wire multiplexers, 58, 378
- two-wire ohms, 369
- U**
- UNIT:TEMP command, 106, 219
- units
- temperature, 106, 219
 - with readings, 87
- unsecure calibration, 156
- Utility* key, 36
- V**
- varistor, 386
- vertical bar (|), syntax, 73, 181
- VIEW annunciator, 4
- View* key, 24, 36, 91, 126
- viewing
- alarm data, 126
 - readings, 90
 - scanned readings, 24
- Visual Basic, example, 321
- VM Complete* signal, 95
- VOLT:AC:BAWdth command, 223
- voltage (DAC) output
- card reset, 139
 - current limitations, 139, 397
 - differential errors, 398
 - integral errors, 398
 - resetting, 45
 - simplified schematic, 397
 - writing, 45
- voltage dividers, 385
- voltage measurements, 113
- ac low frequency filter, 114
 - ac settling time, 114
- VSWR, 391, 411

W

Warnings

- 34901A, 165
- 34902A, 167
- 34903A, 169
- 34904A, 171
- 34908A, 176

warranty information, *inside front cover*

weight, product, 408

Wheatstone bridge (strain), 375

wire size (gauge), 336

wiring log

- 34901A, 165
- 34902A, 167
- 34903A, 169
- 34904A, 171
- 34905A, 173
- 34906A, 173
- 34907A, 175
- 34908A, 177

wiring connections

- ac current, 21
- ac voltage, 21
- dc current, 21
- dc voltage, 21
- frequency, 21
- period, 21
- resistance, 21
- RTDs, 21
- thermistors, 21
- thermocouples, 21
- wiring strain relief, 20
- wiring strip length, 20

Write key, 43, 45

X

XON/XOFF flow mode (RS-232), 153

Z

ZERO: AUTO command, 105, 223

© Copyright Agilent Technologies, Inc.
1997-2003

No part of this manual may be reproduced in any form or by any means (including electronic storage and retrieval or translation into a foreign language) without prior agreement and written consent from Agilent Technologies as governed by the United States and international copyright laws.

Manual Part Number

34970-90003, March 2003
(order as 34970-90101 manual set)

Edition

Edition 3, March 2003
Edition 2, October 1997
Edition 1, July 1997

Printed in Malaysia

Agilent Technologies, Inc.
815 14th Street S.W.
Loveland, Colorado 80537 U.S.A.

Assistance

Product maintenance agreements and other customer assistance agreements are available for Agilent Technologies products. For assistance, contact your nearest Agilent Technologies Sales and Service Office. Further information is available on the Agilent web site at www.agilent.com/find/assist.

Trademark Information

Microsoft® and Windows® are U.S. registered trademarks of Microsoft Corporation. All other brand and product names are trademarks or registered trademarks of their respective companies.

Certification

Agilent Technologies certifies that this product met its published specifications at the time of shipment from the factory. Agilent Technologies further certifies that its calibration measurements are traceable to the United States National Institute of Standards and Technology, to the extent allowed by that organization's calibration facility, and to the calibration facilities of other International Standards Organization members.

Warranty

The material contained in this document is provided "as is," and is subject to being changed, without notice, in future editions. Further, to the maximum extent permitted by applicable law, Agilent disclaims all warranties, either express or implied with regard to this manual and any information contained herein, including but not limited to the implied warranties of merchantability and fitness for a particular purpose. Agilent shall not be liable for errors or for incidental or consequential damages in connection with the furnishing, use, or performance of this document or any information contained herein. Should Agilent and the user have a separate written agreement with warranty terms covering the material in this document that conflict with these terms, the warranty terms in the separate agreement will control.

Technologies Licenses

The hardware and/or software described in this document are furnished under a license and may be used or copied only in accordance with the terms of such license.

Restricted Rights Legend

If software is for use in the performance of a U.S. Government prime contract or subcontract, Software is delivered and licensed as "Commercial computer software" as defined in DFAR 252.227-7014 (June 1995), or as a "commercial item" as defined in FAR 2.101(a) or as "Restricted computer software" as defined in FAR 52.227-19 (June 1987) or any equivalent agency regulation or contract clause. Use, duplication or disclosure of Software is subject to Agilent Technologies' standard commercial license terms, and non-DOD Departments and Agencies of the U.S. Government will receive no greater than Restricted Rights as defined in FAR 52.227-19(c)(1-2) (June 1987). U.S. Government users will receive no greater than Limited Rights as defined in FAR 52.227-14 (June 1987) or DFAR 252.227-7015 (b)(2) (November 1995), as applicable in any technical data.

Safety Notices

Do not defeat power cord safety ground feature. Plug in to a grounded outlet.

Do not use product in any manner not specified by the manufacturer.

Do not install substitute parts or perform any unauthorized modification to the product. Return the product to an Agilent Technologies Sales and Service Office for service and repair to ensure that safety features are maintained.

WARNING

A WARNING notice denotes a hazard. It calls attention to an operating procedure, practice, or the like that, if not correctly performed or adhered to, could result in personal injury or death. Do not proceed beyond a WARNING notice until the indicated conditions are fully understood and met.

CAUTION

A CAUTION notice denotes a hazard. It calls attention to an operating procedure, practice, or the like that, if not correctly performed or adhered to, could result in damage to the product or loss of important data. Do not proceed beyond a CAUTION notice until the indicated conditions are fully understood and met.

Symbols



Earth ground



Chassis ground



Risk of electric shock

WARNING

Main power disconnect: Unplug product from wall outlet and remove power cord before servicing. Only qualified, service-trained personnel should remove the cover from the instrument or connect external wiring to a module.

For continued protection against fire, replace the line fuse only with a fuse of the specified type and rating.



Manufacturer's Name: Agilent Technologies, Inc.

Manufacturer's Address: 815 14th Street SW
Loveland, Colorado 80537
U.S.A.

Declares, that the product

Product Name: Data Acquisition / Switch Unit and Associated Modules

Model Number: 34970A and 34901A through 34908A

Product Options: This declaration covers all options of the above product.

Conforms with the following European Directives:

The product herewith complies with the requirements of the Low Voltage Directive 73/23/EEC and the EMC Directive 89/336/EEC (including 93/68/EEC) and carries the CE Marking accordingly.

Conforms with the following product standards:

| EMC | Standard | Limit |
|------------|---|-------------------------------------|
| | IEC 61326-1:1997+A1:1998 / EN 61326-1:1997+A1:1998 ^[1] | |
| | CISPR 11:1990 / EN 55011:1991 | Group 1 Class A |
| | IEC 61000-4-2:1995+A1:1998 / EN 61000-4-2:1995 | 4kV CD, 8kV AD |
| | IEC 61000-4-3:1995 / EN 61000-4-3:1995 | 3 V/m, 80-1000 MHz |
| | IEC 61000-4-4:1995 / EN 61000-4-4:1995 | 0.5kV signal lines, 1kV power lines |
| | IEC 61000-4-5:1995 / EN 61000-4-5:1995 | 0.5 kV line-line, 1 kV line-ground |
| | IEC 61000-4-6:1996 / EN 61000-4-6:1996 | 3V, 0.15-80 MHz |
| | IEC 61000-4-11:1994 / EN 61000-4-11:1994 | Dips: 30% 10ms; 60% 100ms |
| | | Interrupt > 95% @5000ms |
| | Canada: ICES-001:1998 ^[2] | |
| | Australia/New Zealand: AS/NZS 2064.1 | |

^[1] The product was tested in a typical configuration with Agilent Technologies test systems.

^[2] This ISM device complies with Canadian ICES-001-1998.
Cet appareil ISM est conforme à la norme NMB-001-1998 du Canada.

Safety IEC 61010-1:1990+A1:1992+A2:1995 / EN 61010-1:1993+A2:1995
Canada: CSA C22.2 No. 1010.1:1992
UL 3111-1: 1994

July 18, 2001

Date

Ray Corson
Product Regulations Program Manager

For further information, please contact your local Agilent Technologies sales office, agent or distributor.

Free Manuals Download Website

<http://myh66.com>

<http://usermanuals.us>

<http://www.somanuals.com>

<http://www.4manuals.cc>

<http://www.manual-lib.com>

<http://www.404manual.com>

<http://www.luxmanual.com>

<http://aubethermostatmanual.com>

Golf course search by state

<http://golfingnear.com>

Email search by domain

<http://emailbydomain.com>

Auto manuals search

<http://auto.somanuals.com>

TV manuals search

<http://tv.somanuals.com>