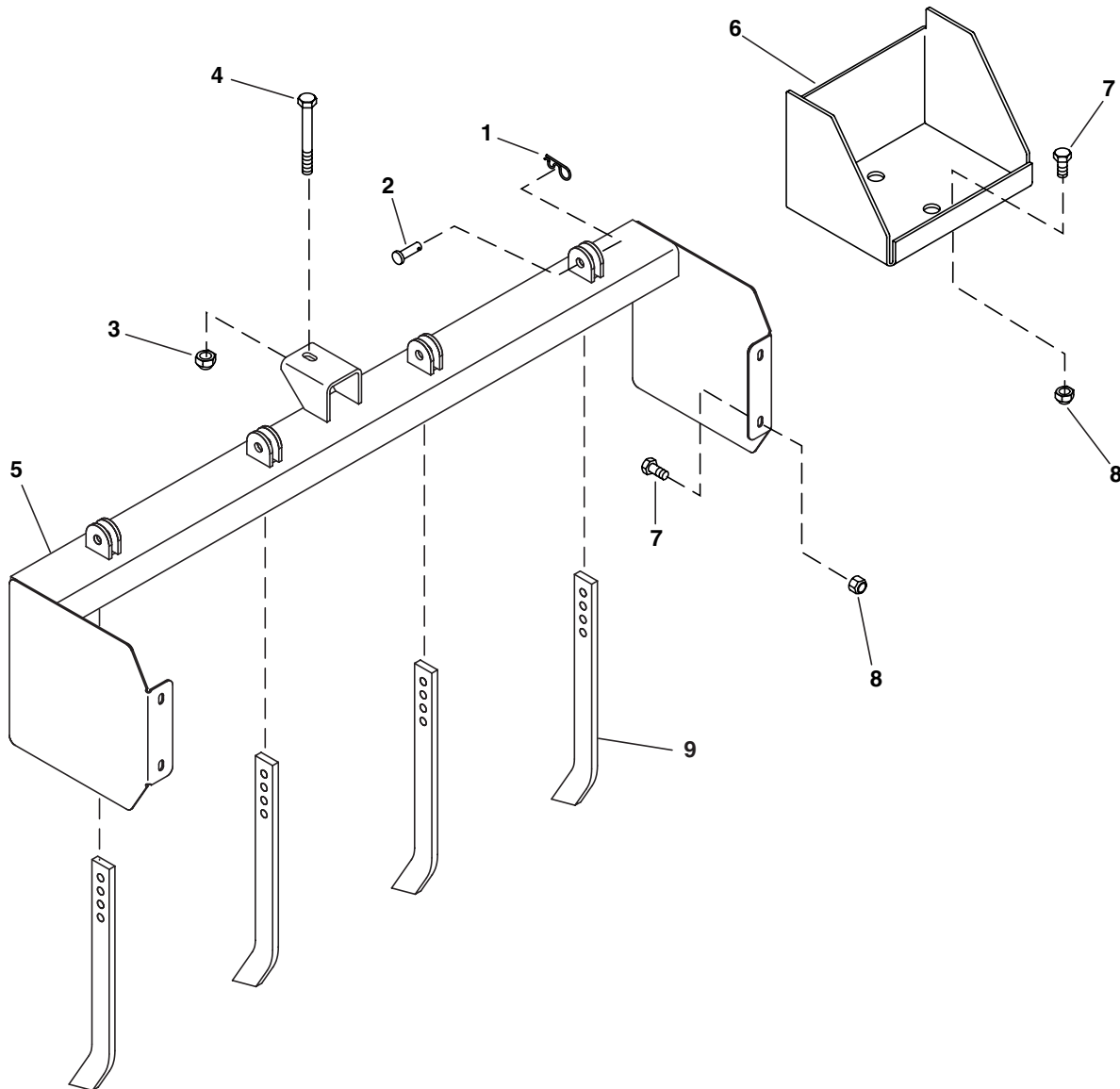


REPAIR PARTS FOR MODEL NO. 45-0358 BOX SCRAPER ATTACHMENT



REF. NO.	PART NO.	QTY.	DESCRIPTION	REF. NO.	PART NO.	QTY.	DESCRIPTION
1	47134	4	Haircutter Pin, 0.08" x 1.58" Lg.	6	25193	1	Weight Tray
2	44049	4	Clevis Pin, 1/2" x 1-1/4" Lg.	7	43001	5	Hex Bolt, 3/8" x 1" Lg.
3	712-3083	1	Hex Nut, Nylock, 1/2"	8	HA21362	5	Hex Nut, Nylock, 3/8"
4	45100	1	Hex Bolt, 1/2" x 4" Lg.	9	25166	4	Scarifier Tooth
5	64771	1	Box Scraper Assembly		48972	1	Owners Manual (not shown)

SpeedEPart *the fastest way to purchase parts* www.speedepart.com

Free Manuals Download Website

<http://myh66.com>

<http://usermanuals.us>

<http://www.somanuals.com>

<http://www.4manuals.cc>

<http://www.manual-lib.com>

<http://www.404manual.com>

<http://www.luxmanual.com>

<http://aubethermostatmanual.com>

Golf course search by state

<http://golfingnear.com>

Email search by domain

<http://emailbydomain.com>

Auto manuals search

<http://auto.somanuals.com>

TV manuals search

<http://tv.somanuals.com>