

# OWNERS MANUAL

**Model No.  
45-02141**

**CAUTION:**  
Read Rules for  
Safe Operation  
and Instructions  
Carefully



## **BROADCAST SPREADER 100 (PUSH)**

- Assembly
- Operation
- Maintenance
- Repair Parts

# RULES FOR SAFE OPERATION

The following safety precautions are suggested. This broadcast spreader is designed, engineered and tested to offer reasonably safe and effective service, provided it is operated in strict accordance with these instructions. Failure to do so may result in personal injury. Always observe the rules of safe operation.

1. Do not allow anyone to operate the broadcast spreader without proper instructions.
2. Do not permit children to operate the broadcast spreader.
3. Wear eye and hand protection when handling and when applying lawn or garden chemicals.
4. Read the chemical label instructions and cautions for handling and applying the chemicals purchased for spreading.
5. Keep all nuts, bolts and screws tight to be sure equipment is in safe working condition.
6. Follow maintenance and lubrication instructions as outlined in this manual.



LOOK FOR THIS SYMBOL TO POINT OUT IMPORTANT SAFETY PRECAUTIONS. IT MEANS--ATTENTION! BECOME ALERT! YOUR SAFETY IS INVOLVED.

Your broadcast spreader carton contains parts as shown in figure 1. The hardware package contains parts shown in figure 2 on page 3. Identify all parts and layout as shown in figures 1 and 2.

## CARTON CONTENTS

### LOOSE PARTS IN CARTON

1. Handle Tube (long)
2. Braces
3. Flow Control Mount Bracket
4. Flow Control Gauge
5. Flow Control Arm
6. Handle Tube (short)
7. Flow Control Rod
8. Leg Stand Tube
9. Wheels (2)
10. Hopper Assembly
11. Hardware Package (not shown)

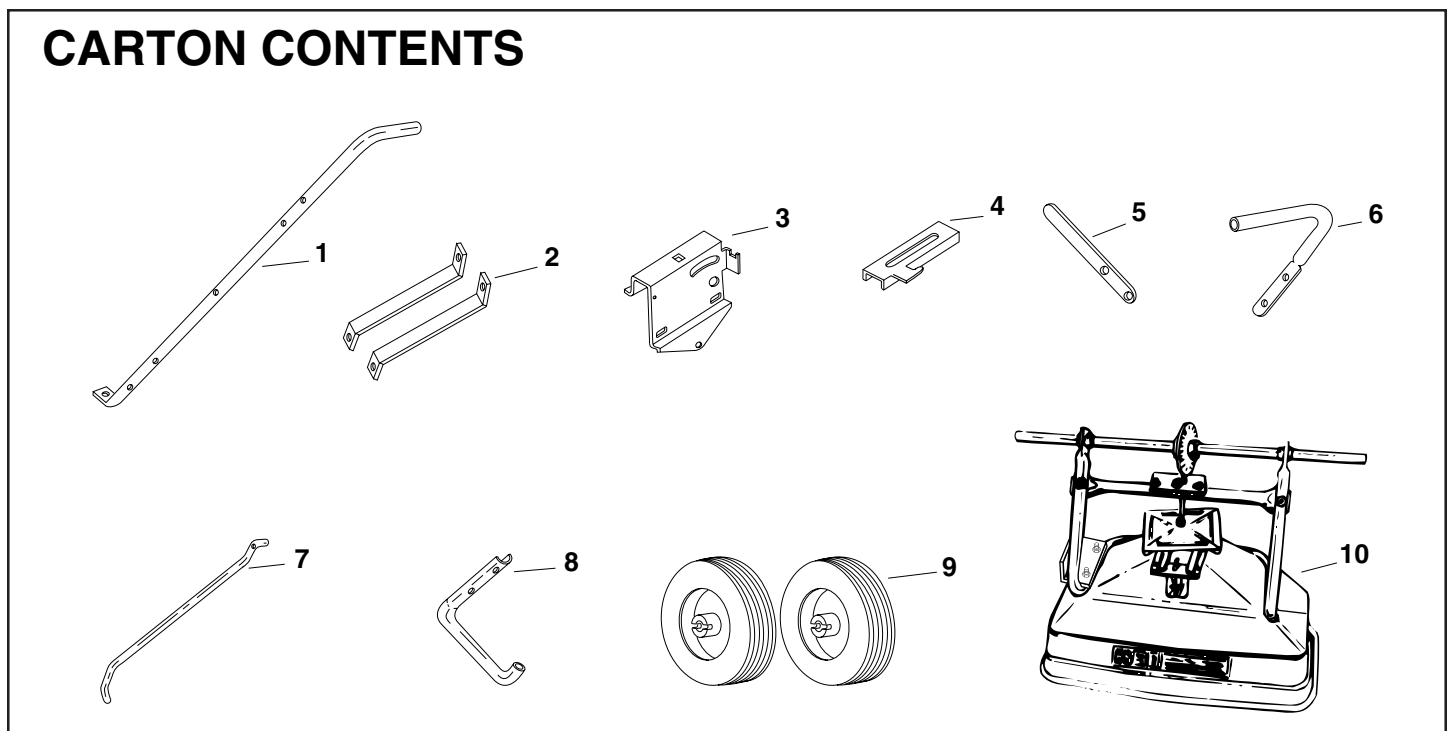
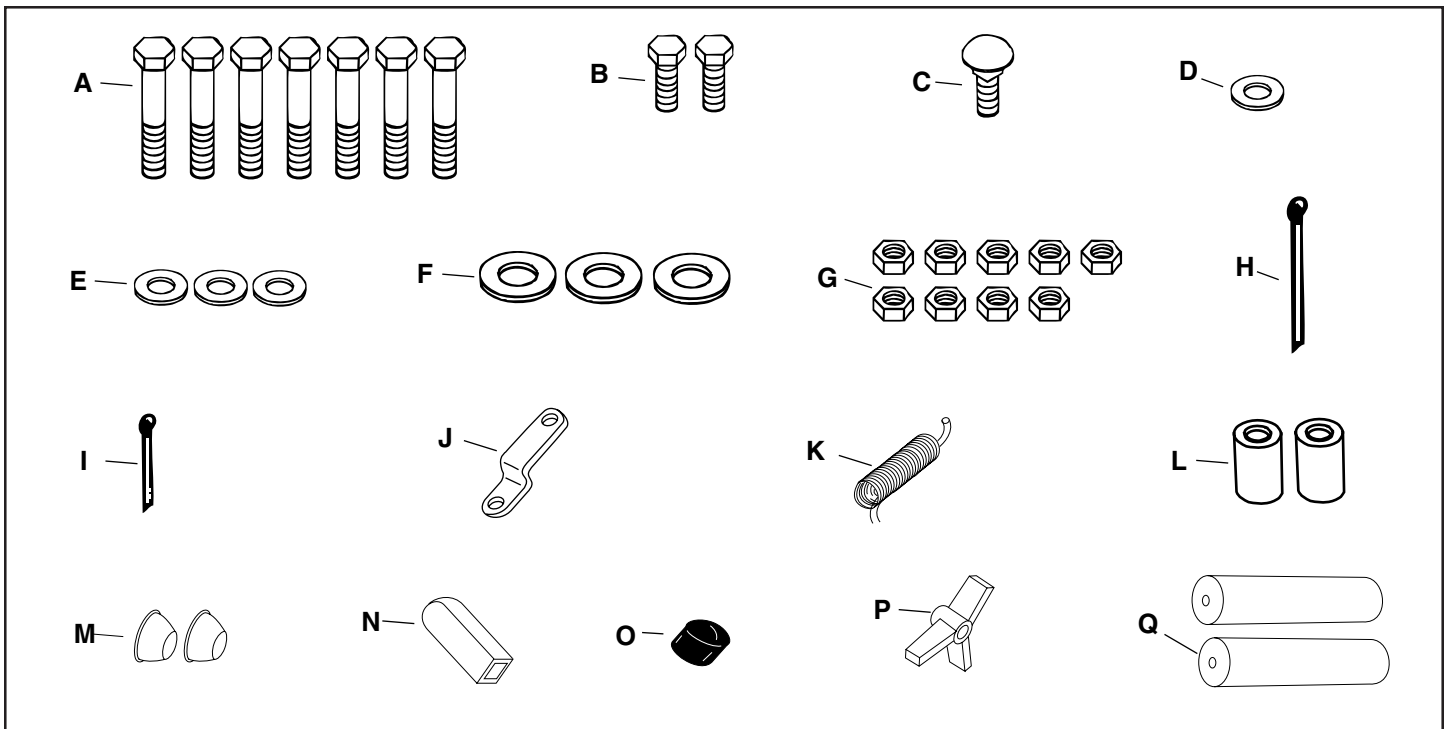
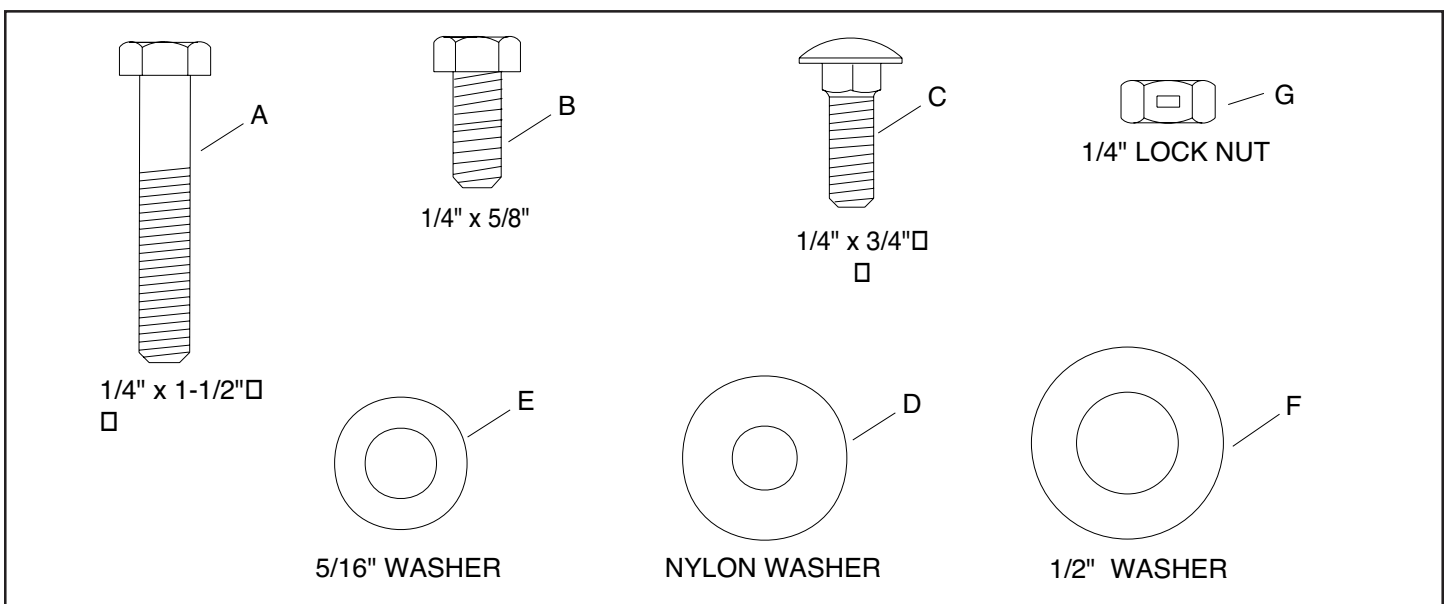


FIGURE 1



**FIGURE 2 - HARDWARE PACKAGE**

KEY	QTY.	DESCRIPTION	KEY	QTY.	DESCRIPTION
A	7	Hex Bolt, 1/4-20 x 1-1/2" Long	I	1	Cotter Pin, 3/32" x 3/4" Long
B	2	Hex Bolt, 1/4-20 x 5/8" Long	J	1	Flow Control Link
C	1	Carriage Bolt, 1/4-20 x 3/4" Long	K	1	Extension Spring
D	1	Nylon Washer	L	2	Spacer Tube
E	3	Flat Washer, 5/16" SAE	M	2	Hub Cap
F	3	Flat Washer, 1/2"	N	1	Grip
G	9	Hex Lock Nut, 1/4-20 Thd.	O	1	Vinyl Cap
H	1	Cotter Pin, 5/32" x 2"	P	1	Hand Knob
			Q	2	Handle Grip



**FULL SIZE HARDWARE REFERENCE CHART**

# ASSEMBLY INSTRUCTIONS

## TOOLS REQUIRED FOR ASSEMBLY

- (1) Pliers
- (1) Hammer
- (2) 7/16" Open or Boxed End Wrenches

1. Remove the spreader, the loose parts and the hardware package from the carton. Lay out parts and hardware and identify. Refer back to figures 1 and 2.
2. With the spreader resting upside down on the top of the hopper, assemble a spacer and then a 1/2" flat washer onto each end of the axle. See figure 3.

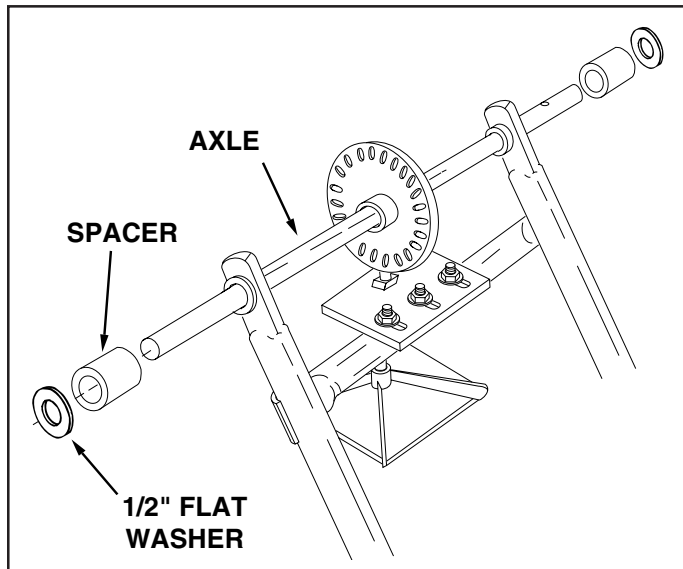


FIGURE 3

3. Place a wheel onto the end of the axle that has no cross hole. The long end of the hub goes to the inside. See figure 4.
4. Place a 1/2" flat washer onto the axle and then lightly tap a hub cap onto the axle until it is snug against the washer and wheel hub. See figure 4.

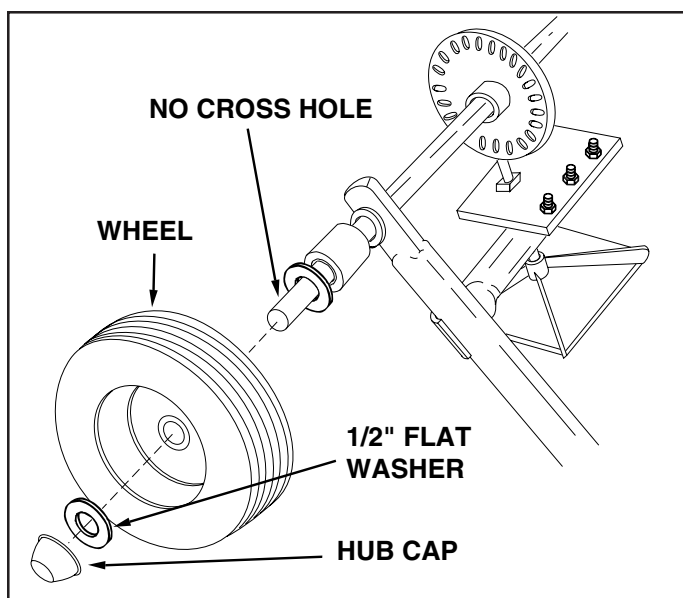


FIGURE 4

5. Place a wheel onto the end of the axle that has a cross hole. The long end of the hub goes to the inside. See figure 5.
6. Assemble a 5/32" x 2" cotter pin through the notched wheel hub and the axle. See figure 5.
7. Lightly tap a hub cap onto the axle until it is snug against the wheel. See figure 5.

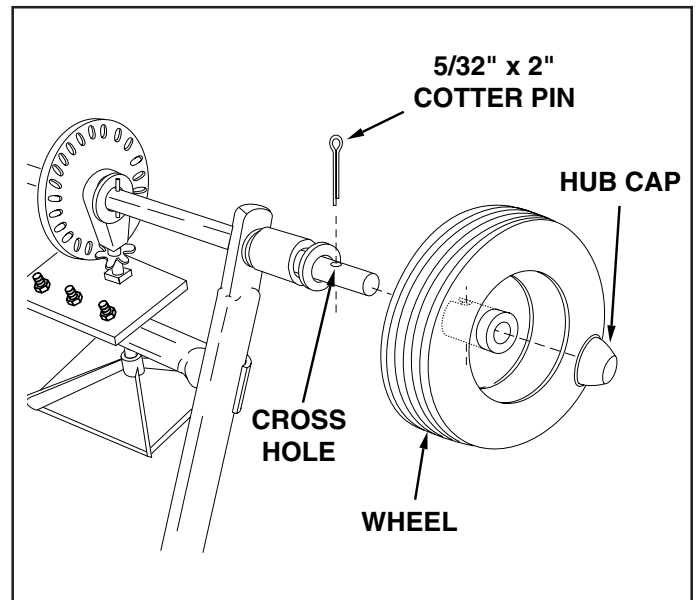


FIGURE 5

8. Remove the 1/4" hex bolt, flat washer and hex lock nut from the center of the crossover tube. See figure 6.

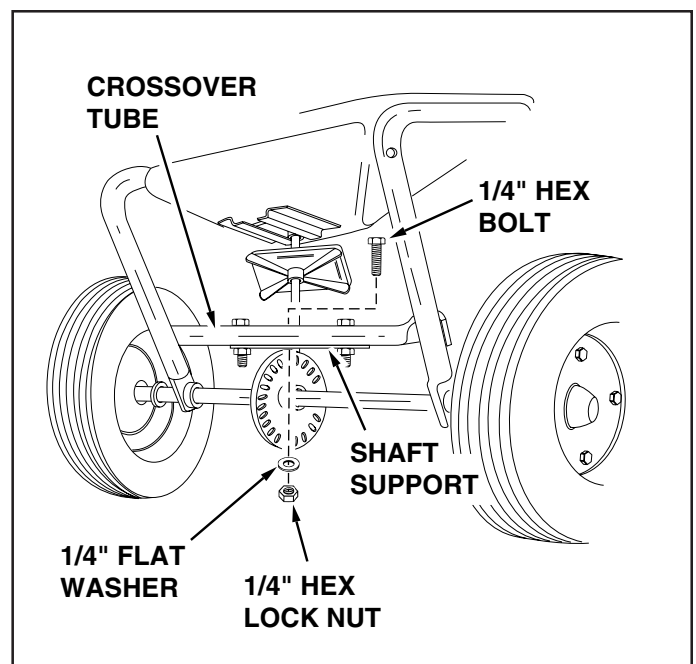


FIGURE 6

9. Place the handle tube (long) on the crossover tube, (side between crossover tube and hopper), align the holes in the handle tube, crossover tube, and shaft support. Assemble with 1/4" hex bolt, flat washer and hex lock nut removed in the previous step. See figures 6 and 7. **DO NOT TIGHTEN AT THIS TIME.**
10. Assemble two handle braces to the inside of the hopper frame, one each side, using two 1/4" x 1-1/2" hex bolts and two 1/4" lock nuts. See figure 7. **DO NOT TIGHTEN AT THIS TIME.**
11. Align the holes in the ends of the two handle braces with the hole nearest the middle of the handle tube assembly. Secure with a 1/4" x 1-1/2" hex bolt and 1/4" lock nut. See figure 7.
12. Tighten all hex lock nuts and bolts, following same sequence as assembled in the previous three steps. See figure 7.

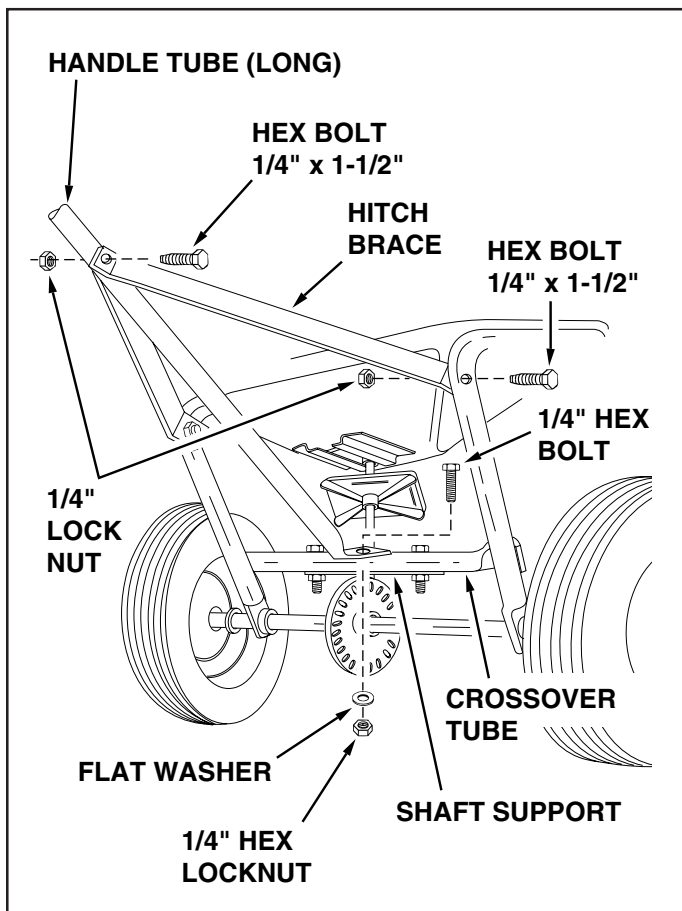


FIGURE 7

13. Assemble the leg stand tube to the handle tube (long) using two 1/4" x 1-1/2" hex bolts. Secure tightly with two 1/4" hex lock nuts. See figure 8.
14. Place a vinyl cap over the end of the leg stand tube. See figure 8.

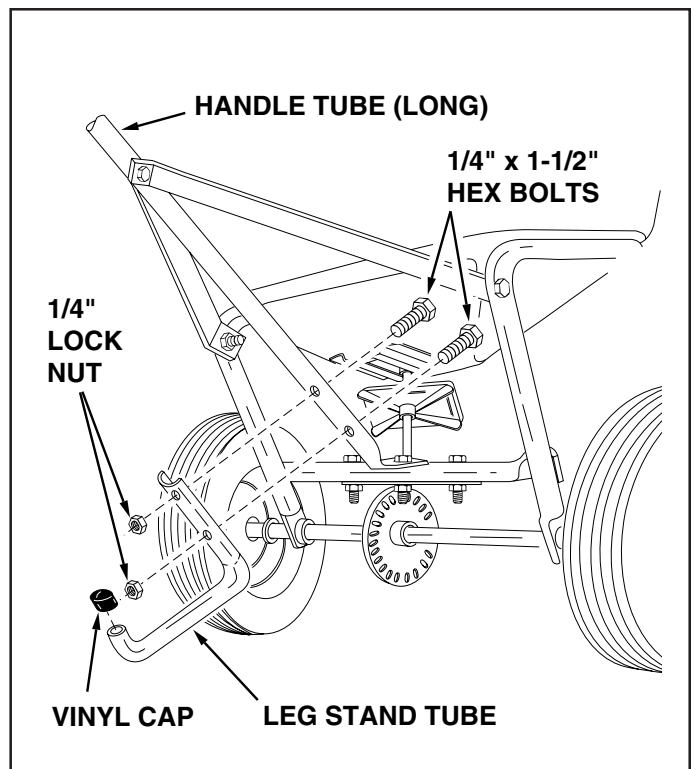


FIGURE 8

15. Assemble the flow control link (the end with the small hole) to the flow control arm using one 1/4" x 5/8" hex bolt and one 1/4" lock nut. **Do not over tighten.** The flow control link must pivot freely. See figure 9.
16. Place the vinyl grip on the flow control arm. See figure 9.

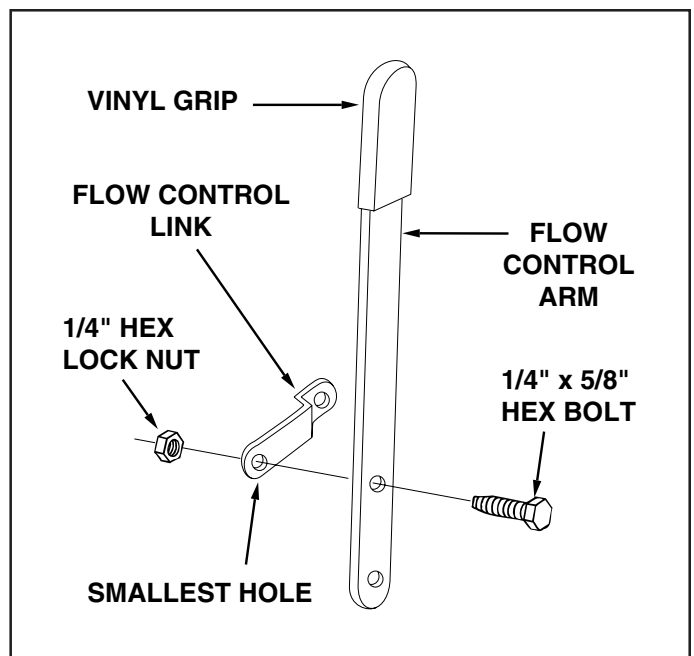


FIGURE 9

17. Assemble the flow control arm to the flow control mounting bracket using one 1/4" x 5/8" hex bolt and one 1/4" lock nut. **Do not over tighten.** The flow control arm must pivot freely. See figure 10.
18. Hook one end of extension spring through small hole near bend in flow control rod and the other end through hole in flow control mounting bracket. See figure 10.

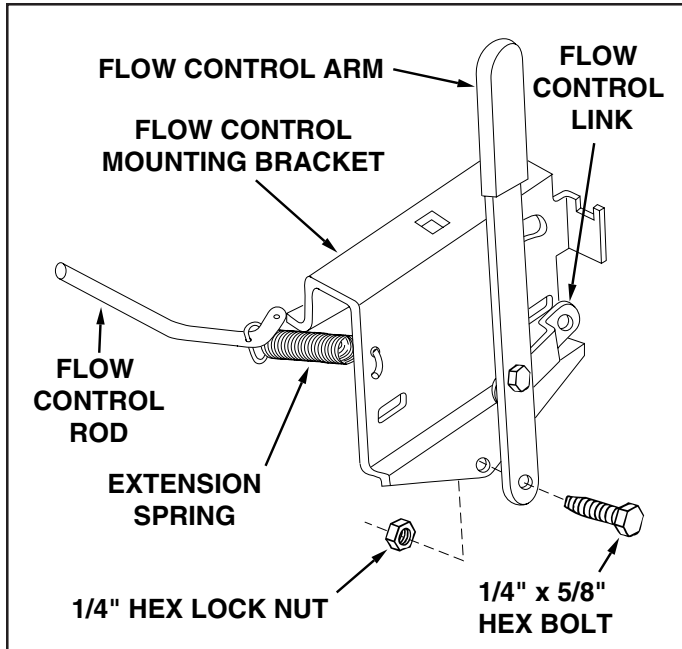


FIGURE 10

19. Place a 5/16" flat washer over the end of flow control rod, and insert end of rod through slot in flow control mount bracket and through the hole in flow control link. Secure with a 3/32" x 3/4" cotter pin. See figure 11.

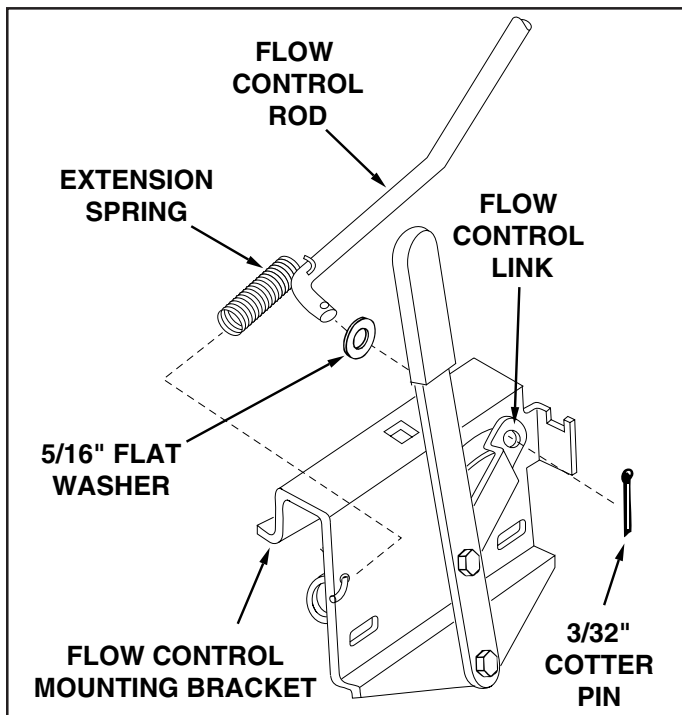


FIGURE 11

20. Hook free end of flow control rod through hole in slide gate bracket located near bottom of hopper. See figure 12.

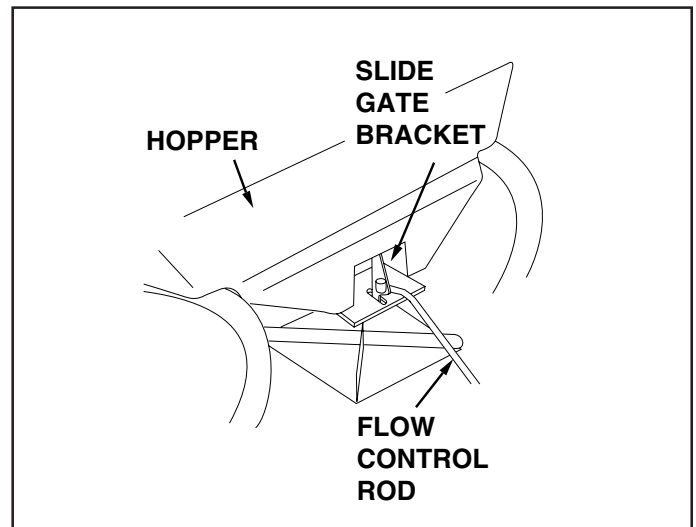


FIGURE 12

21. Assemble flow control mounting bracket and the handle tube (short) to the handle tube (long) using two 1/4" x 1-1/2" hex bolts, two 5/16" flat washers and two 1/4" lock nuts. See figure 13. **DO NOT TIGHTEN AT THIS TIME.**
22. Place handle grip on each handle tube. See figure 13.

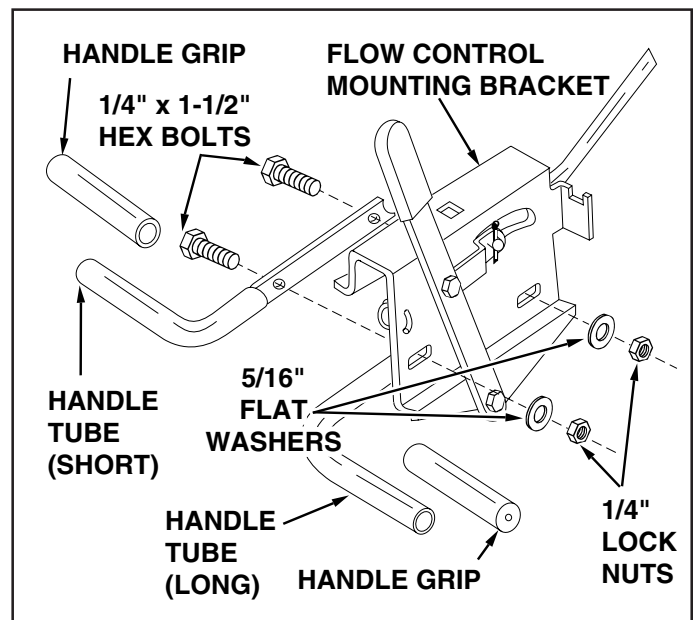
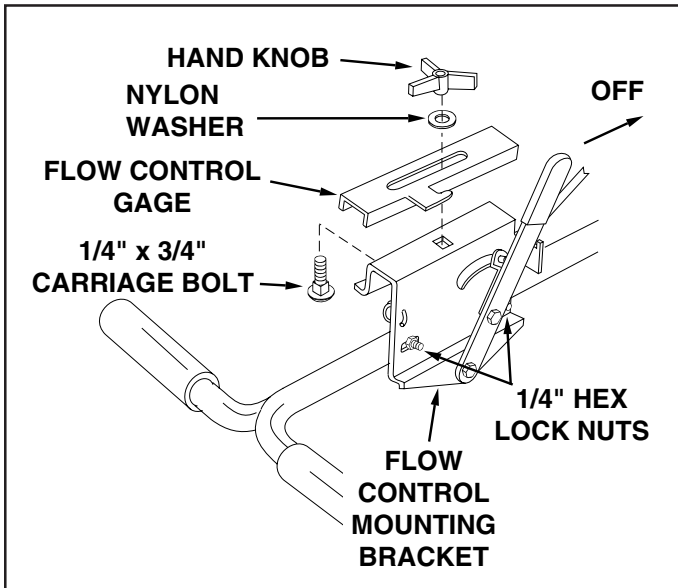


FIGURE 13

23. Assemble the flow control gage onto the flow control mounting bracket using a 1/4" x 3/4" carriage bolt, a nylon washer and hand knob. See figure 14.
24. Move flow control arm to off position and push flow control mounting bracket toward hopper until closure plate (located in bottom of hopper) is completely closed. **Tighten** 1/4" hex lock nuts assembled in step 21. See figure 14.



**FIGURE 14**

25. Lubricate as instructed in the lubrication section on page 8.

# OPERATION

The application spread pattern should overlap to insure uniform coverage at the edges. The approximate distance between each pass is shown in the application diagram. See figure 15.

## APPLICATION DIAGRAM

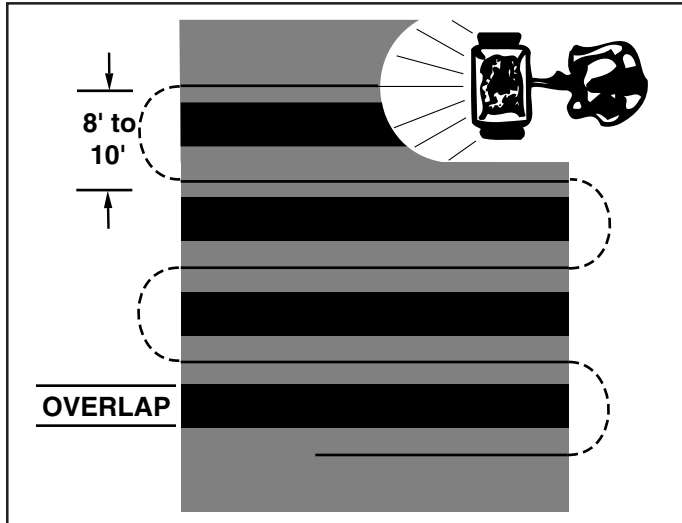


FIGURE 15

## FLOW RATE ADJUSTMENT

1. Push forward on the flow control arm to the **off position** and pull back to the on position. The higher the number on flow rate gauge the larger the opening in the bottom of the hopper. See figure 16.
2. **REFER TO THE FLOW RATE CHART AND TO INSTRUCTIONS ON FERTILIZER BAG TO SELECT PROPER FLOW RATE SETTING.**
3. Loosen the hand knob to set the flow gauge to the desired flow setting and tighten the hand knob.
4. Always move flow control arm to **off** position before stopping or turning spreader.
5. The spreader should be moving before you move the flow control arm to the **on position**.

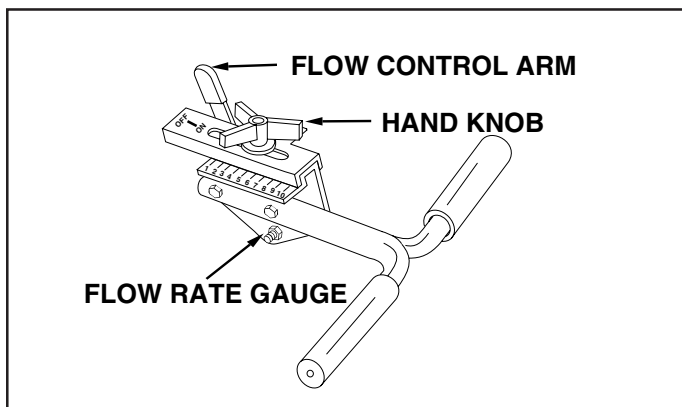
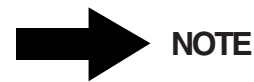


FIGURE 16

## FLOW RATE CHART

MATERIAL	TYPE	Flow Rate Setting At 3 M.P.H.	
		Light	Heavy
Fertilizer	Granular	3	5
	Pelleted	5	7
Grass Seed	Fine - Blue Grass	2	4
	Coarse - Rye, Fescue	6	8
Ice Melters	Granular	6	8
	Pelleted	6	8

3 M.P.H. is equivalent to traveling 100 feet in 23 seconds.



Do not use powdered lime, only granulated materials are approved for use.

1. Determine approximate square footage of area to be covered and estimate amount of fertilizer or seed required.
2. With flow control arm in **off position**, set flow rate gauge at number indicated in flow rate chart for light or heavy application rate. **Also, refer to instructions on bag for manufacturers recommended settings.**
3. Break up lumpy fertilizer as you fill hopper.
4. To broadcast, always have spreader in motion before opening closure plate. **Do not allow spreader to sit stationary with flow control arm in ON position.** If fertilizer is accidentally deposited to heavily in small area, soak down thoroughly with garden hose to prevent burning of lawn.  
**IMPORTANT: Application rates (shown on chart) are affected by humidity and mixture content of material (granular and pellet); therefore, minor adjustment settings may be necessary to compensate for this condition. The rate chart is calculated for light and heavy application. The faster you walk, the wider the broadcast width. A variation in speed will determine the flow rates and width of broadcast.**

### ATTENTION:

When broadcasting weed control fertilizers, make sure broadcast pattern does not hit evergreen trees, flowers or shrubs.



# MAINTENANCE & STORAGE

1. Do not store spreader with any material in hopper.
2. Clean your spreader after use. Flush thoroughly with water.
3. If for any reason the axle, gear and sprocket assembly is disassembled, be sure to mark position of parts as they are removed. The positions of the drive wheel and sprocket in relation to the slotted plastic gear determine which direction the spreader plate will spin. Be sure to reassemble them in their original positions. (Refer to figure 5 on page 4.) With the reassembly of the gear and sprocket, use shim washers (Ref. no. 21 on page 10) as needed for minimum backlash. Add grease to gear and sprocket.
4. If agitator wire becomes damaged or worn it can be replaced. Loosen 3/8" lock nut on the top of sprocket shaft until agitator wire is free. Remove old agitator wire from hole in agitator sleeve and replace with new agitator wire. Position agitator wire so that sprocket shaft turns freely and tighten 3/8" lock nut on top of sprocket shaft. See figure 17.

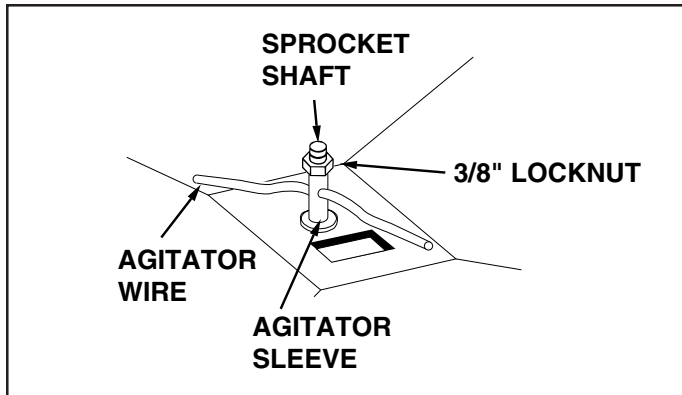


FIGURE 17

5. Heavy moisture conditions may require a cover over the hopper to keep contents dry. The vinyl cover acts as a wind and moisture shield, but should not be used as a rain cover. See figure 18.



FIGURE 18

## LUBRICATION

(SEE FIGURE 19)

1. Apply a little automotive grease to the sprocket and gear.
2. Oil nylon bushings on sprocket shaft as shown in figure 19.
3. Oil axle/shaft bushing on axle as shown in figure 19.
4. Oil right hand wheel bearing as needed.

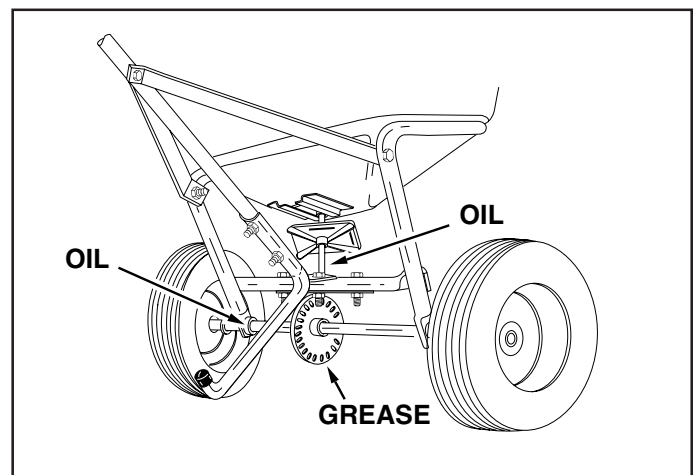
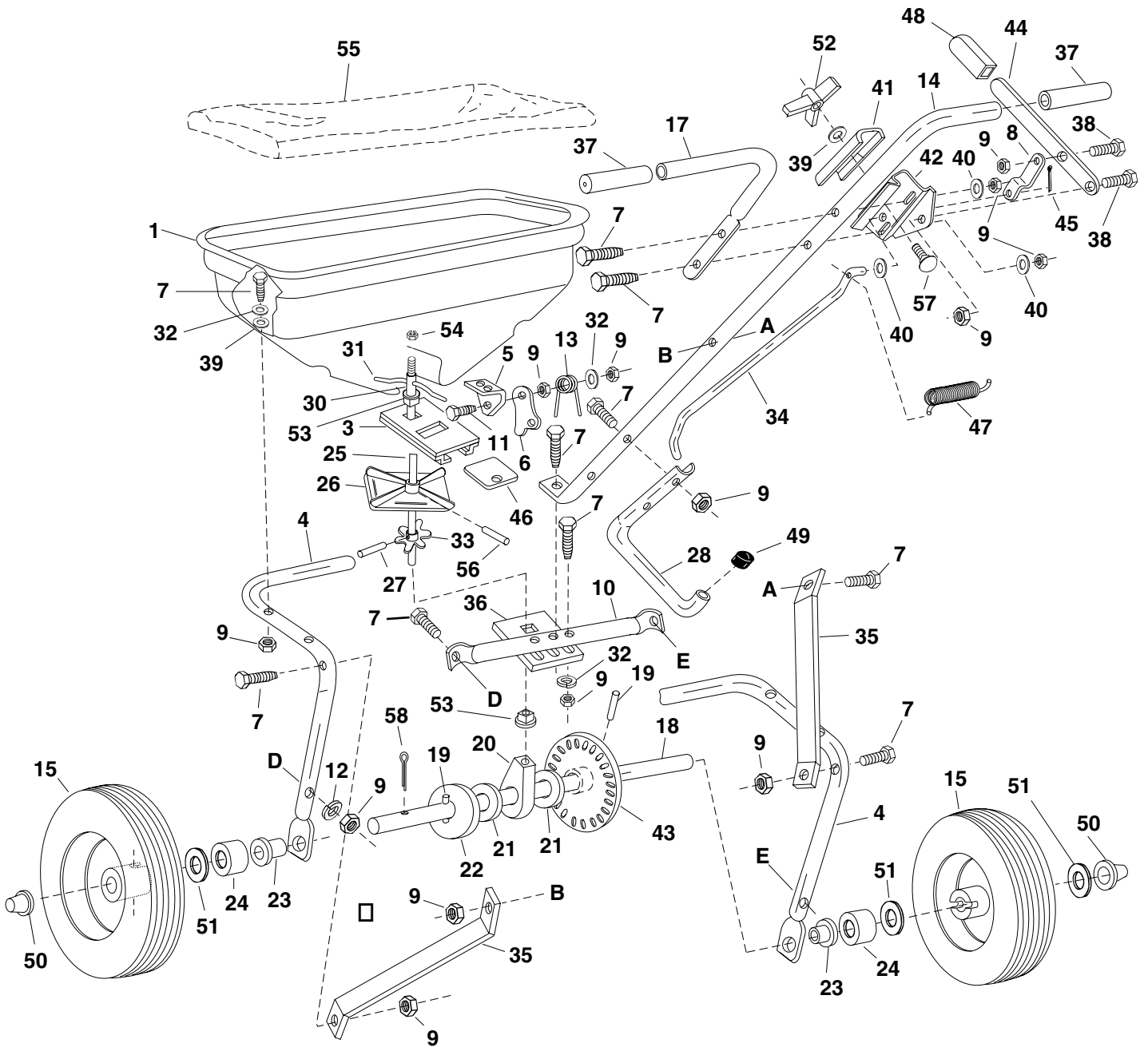


FIGURE 19

# REPAIR PARTS FOR BROADCAST SPREADER MODEL 45-02141



# REPAIR PARTS LIST FOR BROADCAST SPREADER MODEL 45-02141

REF. NO.	PART NO.	QTY.	DESCRIPTION	REF. NO.	PART NO.	QTY.	DESCRIPTION
1	44624	1	Hopper	31	43878	1	Wire, Agitator
2	43882	4	Rivet, Stainless	32	43088	12	Washer, Flat 1/4" Std.
3	62482	1	Ass'y, Guide Closure	33	44468	1	Sprocket - 6 Tooth
4	44588	1	Tube, Frame	34	44514	1	Rod, Flow Control
5	23753	1	Slide Gate Angle Bracket	35	23525	2	Brace, Hitch
6	23758	1	Slide Gate Bracket	36	23780	1	Support, Shaft
7	43648	18	Bolt, Hex 1/4-20 x 1-1/2" Lg.*	37	44482	2	Grip, Handle
8	23756	1	Flow Control Link	38	43866	2	Bolt, Hex 1/4-20 x 5/8" Lg. Gr. 5
9	43013	22	Nut, Hex Lock 1/4-20 Thd. *	39	1543-069	7	Washer, Nylon
10	44591	1	Tube, Crossover	40	R19111116	3	Washer, 5/16 SAE
11	43012	1	Bolt, Hex 1/4-20 x 3/4" Lg. Gr. 5	41	23755	1	Gage, Flow Control
12	43177	2	Washer, Lock 1/4" I.D.*	42	23754	1	Bracket, Flow Control Mount
13	44566	1	Spring, Torsion	43	46885	1	Gear, Plastic
14	44590	1	Tube, Handle (Long)	44	23759	1	Flow Control Arm
15	47052	2	Wheel	45	44101	1	Cotter Pin 3/32" x 3/4" Lg.*
17	44589	1	Tube, Handle (Short)	46	23533	1	Plate, Closure
18	24407	1	Shaft, Axle	47	43000	1	Spring, Extension
19	44665	2	Pin, Spring 5/32" Dia. x 1-1/4" Lg.	48	43848	1	Grip, Flow Control Arm
20	44672	1	Bushing, Axle Shaft	49	44481	1	Cap, Vinyl
21	44137	4	Washer, Flat 1/2" I.D.	50	44663	2	Hub Cap
22	R19171616	1	Washer, Flat 17/32" I.D.	51	R19171616	3	Washer, Flat 17/32" I.D.
23	741-0248	2	Bearing, Flange	52	43849	1	Knob, Plastic 1/4-20 Thd.
24	46501	2	Tube, Spacer	53	44285	2	Bushing, Delrin 3/8" I.D.
25	23524	1	Shaft, Sprocket	54	43082	1	Nut, Hex Lock 3/8-16 Thd.*
26	04367	1	Spreader Plate	55	44619	1	Optional Vinyl Hopper Cover
27	43850	1	Pin, Spring 1/8" Dia. x 5/8" Lg.	56	46055	1	Pin, Spring 1/8" Dia. x 1" Lg.
28	44587	1	Tube, Leg Stand	57	44950	1	Bolt, Carriage 1/4-20 x 3/4" Lg.
29	C-9M5732	2	Pop Rivet	58	47063	1	Pin, Cotter 5/32" x 2"
30	23766	1	Sleeve, Agitator		47290	1	Owner's Manual

\*Purchase common hardware locally.

## AGRI-FAB® LIMITED WARRANTY

**WHO IS COVERED:** This Warranty covers only the original retail purchaser of an AGRI-FAB® product or part. It is not transferable.

**HOW LONG DOES COVERAGE LAST:** This Warranty remains in force for 1 year from the date of purchase.

**WHAT IS COVERED:** Any defect in material or workmanship of your AGRI-FAB® product or part.

**WHAT IS NOT COVERED:**

1. This warranty does not apply to the engine or components parts thereof. Please refer to the applicable manufacturer's warranty on these items
2. Transportation charges for the movement of any power equipment unit or attachment are the responsibility of the purchaser. Transportation charges for any parts submitted for replacement under this warranty must be paid by the purchaser unless such return is requested by AGRI-FAB®.
3. This Warranty applies only to products, which have been properly assembled, adjusted, operated, and maintained in accordance with the instructions furnished. This Warranty does not apply to any product, which has been subjected to alteration, misuse, abuse, improper assembly or installation, delivery damage, or to normal wear of the product.
4. Exclusions: Excluded from this Warranty are belts, blades, blade adapters, normal wear, normal adjustments, standard hardware and normal maintenance.
5. AGRI-FAB® does not extend any warranty for products sold or exported outside of the United States of America, its possessions and territories, except those sold through AGRI-FAB's authorized channels of export distribution.

**WHAT AGRI-FAB® WILL DO:** Repair or replace your AGRI-FAB® product or part.

**HOW TO GET SERVICE:** Deliver the AGRI-FAB® product or part to AGRI-FAB's local authorized service dealer or distributor. If you do not know the dealer or distributor in your area, please write to the Customer Service Department of AGRI-FAB, Inc. at P.O. BOX 903, SULLIVAN, ILLINOIS 61951. The return of a product or part to AGRI-FAB® will not be accepted unless prior written permission has been extended by AGRI-FAB®.

**THE DURATION OF ANY IMPLIED WARRANTY OF MERCHANTABILITY IS LIMITED TO THE DURATION OF THE ABOVE EXPRESS WARRANTY. THE REMEDIES PROVIDED IN THIS LIMITED WARRANTY ARE THE CUSTOMER'S SOLE AND EXCLUSIVE REMEDIES. EXCEPT FOR THE OBLIGATIONS SPECIFICALLY SET FORTH IN THIS LIMITED WARRANTY, IN NO EVENT SHALL AGRI-FAB® BE LIABLE FOR INCIDENTAL OR CONSEQUENTIAL DAMAGES, WHETHER BASED ON CONTRACT, TORT, OR ANY OTHER LEGAL THEORY.** Some states do not allow limitations on how long an implied warranty lasts, or the exclusion or limitation of incidental or consequential damages, so the above limitations may not apply to you.

This Warranty gives you specific legal rights, and you may also have other rights, which vary from state to state.

Agri-Fab, Inc., 303 West Raymond St., Sullivan, Illinois 61951 - (217) 728-8388 - [www.Agri-Fab.com](http://www.Agri-Fab.com)

**REPAIR PARTS**  
303 West Raymond  
Sullivan, IL. 61951  
217-728-8388  
[www.agri-fab.com](http://www.agri-fab.com)

## Free Manuals Download Website

<http://myh66.com>

<http://usermanuals.us>

<http://www.somanuals.com>

<http://www.4manuals.cc>

<http://www.manual-lib.com>

<http://www.404manual.com>

<http://www.luxmanual.com>

<http://aubethermostatmanual.com>

Golf course search by state

<http://golfingnear.com>

Email search by domain

<http://emailbydomain.com>

Auto manuals search

<http://auto.somanuals.com>

TV manuals search

<http://tv.somanuals.com>