

# NH-1PA

## Paging Adaptor for NHX System

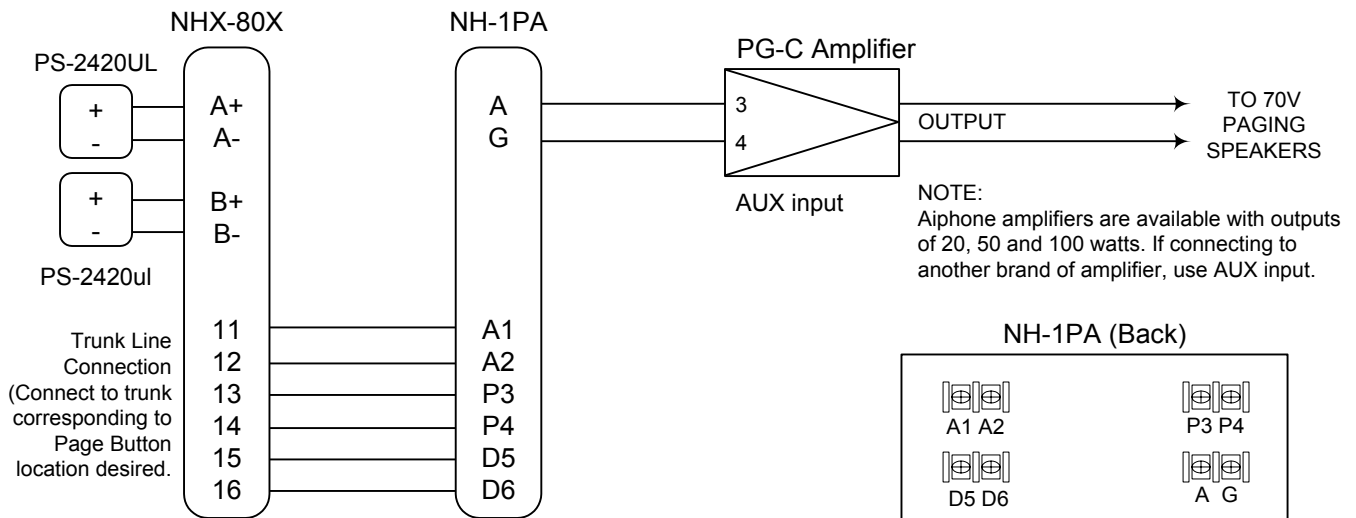
**Provides zone paging to an overhead speaker system**

### - INSTRUCTIONS -

Some applications for Nurse Call systems require paging to overhead speakers. The NH-1PA allows a button on the NHX master to be used for connection to an external paging amplifier. If multiple zones of paging are required, use one NH-1PA per zone.

**NOTE:** An NHX system installed with an NH-1PA included does not carry the UL 1069 listing.

**WIRING DIAGRAM:**



**NOTES:**

- When multiple NH-1PA's are included in the same system, each NH-1PA occupies a station button on the master station. This reduces the overall capacity for patient stations on the system.
- The total amount of wire in a trunkage line including NH-1PA must not exceed 330'.
- Adjust the volume of the paging speakers first from the volume control on the NH-1PA. Then adjust the volume control on the amplifier.
- A system including zone paging does not carry the UL 1069 listing.
- Only wiring concerning overhead paging is shown here. For complete installation and wiring information, please see the complete NHX Installation Manual.

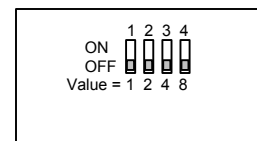
**CONTROLS AND SETTINGS:**

DIP SWITCH SETTINGS (Located on bottomside of NH-1PA):

Switch Values from left to right: 1-2-4-8

- Set dip switches to the numerical value of the station button (1~10) to be designated as the PAGING button.
- Station numbers are 1-10 vertically on the master station.  
If the Paging button is the TOP button on a column (1), set dip switch 1 to ON.  
If the Paging button is the BOTTOM button (10), set switches 2 & 8 to ON.
- Aiphone recommends setting the paging adaptor as station #10 on the first column (trunk line 1, wired as shown here.)

NH-1PA  
(Underneath)



However, any station button can be designated for paging. The paging button is determined by (a) which trunk line the NH-1PA is wired to, and (b) the station number setting on the NH-1PA.

**PAGING VOLUME** (Located on front of NH-1PA):

This controls the overall output volume of the paging. Adjust to the desired level.

## **WIRING:**

1. Follow the wiring diagram on the front page of these instructions.
2. Connection from NHX-80X to A1, A2, P3, P4, D5, D6 terminals of NH-1PA correspond to which trunkage line the PAGING button is on. For example, if the PAGING button is on column 1 of the master, connect from 11~16 terminals of NHX-80X. If the PAGING button is on column 5 of the master, connect from 51~56 terminals of NHX-80X.
3. The P3, P4, D5, D6 terminals act as a junction point for the common wires of the trunkage line that the Paging adaptor is on. The NH-1PA must be wired directly from the NHX-80X.
4. Wiring from NH-1PA to the external amplifier should be 18AWG shielded. All other wiring within the system remains unchanged.
5. To reduce the possibility of interference, run all amplifier and paging speaker wires at least 20" from any NHX system wiring or other electrical wiring.

## **OPERATION:**

1. Pick up handset.
2. Press button on the master station that has been designated as the PAGING button.
3. Make announcement.
4. Hang up handset.

## **SPECIFICATIONS:**

Power Source:	Supplied by CCU
Communication:	Handset or push-to-talk. Paging is transmit only.
Wiring:	3 twisted pair from NHX-80X to NH-1PA (Use Aiphone wire 862208) 2 conductors to amplifier
Output impedance:	10K Ohms
Dimensions:	2" H x 3-5/8"W x 5-7/16" D
Amplifier Input Requirements:	Aux Input (10K Ohms)

### **TOLL FREE TECHNICAL SUPPORT:**

(800) 692-0200

Extensions 8107, 8118, 8111, 8125

### **TOLL FREE FAX LINE:**

(800) 832-3765

**E-Mail:** Tech-Serv@Aiphone.com

Aiphone Communication Systems  
1700 130th Ave. N.E.  
Bellevue, WA 98005  
(425) 455-0510  
FAX: (425) 455-0071

nh-1pa.page adaptor  
0103js

## Free Manuals Download Website

<http://myh66.com>

<http://usermanuals.us>

<http://www.somanuals.com>

<http://www.4manuals.cc>

<http://www.manual-lib.com>

<http://www.404manual.com>

<http://www.luxmanual.com>

<http://aubethermostatmanual.com>

Golf course search by state

<http://golfingnear.com>

Email search by domain

<http://emailbydomain.com>

Auto manuals search

<http://auto.somanuals.com>

TV manuals search

<http://tv.somanuals.com>