

# Drying Tumblers

120 Pound Capacity

170 Pound Capacity

Refer to Page 3 for Model Identification

— Operation/Maintenance —

**NOTA: Para bajar una copia de estas instrucciones en español, visite [www.comlaundry.com](http://www.comlaundry.com).**

**Keep These Instructions for Future Reference.**

(If this machine changes ownership, this manual must accompany machine.)



[www.comlaundry.com](http://www.comlaundry.com)

Part No. 70283501R6  
August 2007





Installation must conform with local codes or in the absence of local codes with:

In the U.S.A., installation must conform to the latest edition of the American National Standard Z223.1/ NFPA 54 “National Fuel Gas Code” and Standard ANSI/NFPA 70 “National Electric Code.”

In Canada, installation must comply with Standards CSA-B149.1 or Natural Gas and Propane Code CSA C22.1, latest edition, Canadian Electric Code, Part I.

In Australia, installation must comply with the Australian Gas Association Installation Code for Gas Burning Appliances and Equipment.

	<b>WARNING</b>
<p><b>FOR YOUR SAFETY</b>, the information in this manual must be followed to minimize the risk of fire or explosion or to prevent property damage, personal injury or death. <span style="float: right;">W033</span></p> <ul style="list-style-type: none"><li>• Do not store or use gasoline or other flammable vapors and liquids in the vicinity of this or any other appliance.</li><li>• <b>WHAT TO DO IF YOU SMELL GAS:</b><ul style="list-style-type: none"><li>– Do not try to light any appliance.</li><li>– Do not touch any electrical switch; do not use any phone in your building.</li><li>– Clear the room, building or area of all occupants.</li><li>– Immediately call your gas supplier from a neighbor’s phone. Follow the gas supplier’s instructions.</li><li>– If you cannot reach your gas supplier, call the fire department.</li></ul></li><li>• Installation and service must be performed by a qualified installer, service agency or the gas supplier. <span style="float: right;">W052</span></li></ul>	
<p><b>FOR YOUR SAFETY</b></p> <p>Do not store or use gasoline or other flammable vapors and liquids in the vicinity of this or any other appliance. <span style="float: right;">W053</span></p>	

	<b>MISE EN GARDE</b>
<p><b>POUR VOTRE SÉCURITÉ</b>, les informations de ce guide doivent être respectées afin de réduire les risques d’incendie, d’explosion ou d’éviter les dommages matériels, personnels ou blessures mortelles. <span style="float: right;">W033R3QU</span></p> <ul style="list-style-type: none"><li>• Ne pas entreposer ou utiliser d’essence ou toutes autres vapeurs et liquides inflammables à proximité de cette machine ou de tout autre appareil.</li><li>• <b>QUE FAIRE EN CAS D’ODEUR DE GAZ :</b><ul style="list-style-type: none"><li>– Ne pas mettre d’appareil en marche.</li><li>– Ne pas toucher aux interrupteurs électriques ; ne pas utiliser le téléphone des lieux.</li><li>– Évacuer la pièce, le bâtiment ou la zone de tous les occupants.</li><li>– Appeler immédiatement le fournisseur de gaz de la maison d’un voisin. Respecter les instructions communiquées par le fournisseur.</li><li>– Si vous ne pouvez pas joindre le fournisseur de gaz, appeler le service d’incendie.</li></ul></li><li>• L’installation et l’entretien doivent être effectués par un installateur, service d’entretien qualifiés ou par le fournisseur de gaz. <span style="float: right;">W052R5QU</span></li><li>• <span style="float: right;">W053R2QU</span></li></ul>	
<p><b>POUR VOTRE SÉCURITÉ</b></p> <p>Ne pas entreposer ou utiliser d’essence ou toutes autres vapeurs et liquides inflammables à proximité de cette unité ou de tout autre appareil. <span style="float: right;">W053R2QU</span></p>	

**IMPORTANT:** Information must be obtained from a local gas supplier on instructions to be followed if the user smells gas. These instructions must be posted in a prominent location. Step-by-step instructions of the above safety information must be posted in a prominent location near the tumbler for customer use.

# Table of Contents

<b>Introduction</b> .....	3
Model Identification .....	3
Customer Service.....	3
Wiring Diagram .....	3
Serial Plate Location.....	4
<b>Safety Information</b> .....	5
Explanation of Safety Messages .....	5
Important Safety Instructions .....	6
<b>Operation</b> .....	8
Emergency Stop Button on CE Models.....	8
Operating Instructions .....	8
Control Instructions .....	9
Manual Timer Control .....	9
Electronic OPL Control .....	10
Dual Digital Timer Control.....	12
Ignition Control Operation .....	14
<b>Maintenance</b> .....	16
Daily .....	16
Monthly.....	17
Quarterly .....	17
Bi-Annually .....	17
<b>Before You Call for Service</b> .....	20
Customer Service.....	20

© Copyright 2007, Alliance Laundry Systems LLC

All rights reserved. No part of the contents of this book may be reproduced or transmitted in any form or by any means without the expressed written consent of the publisher.

# Introduction

## Model Identification

Information in this manual is applicable to these models.

	Gas			Steam/Thermal Oil	
<b>120 Pound</b>	AT120L	SU120L	XU120L	AT120S	UU120T
	AT120N	SU120N	XU120N	HT120S	WT120S
	HA120L	UA120L	YT120L	HT120T	WT120T
	HA120N	UA120N	YT120N	HU120S	XT120S
	HT120L	UT120L		HU120T	XT120T
	HT120N	UT120N		ST120S	XU120S
	HU120L	UU120L		ST120T	XU120T
	HU120N	UU120N		SU120S	YT120S
	SA120L	WT120L		SU120T	YT120T
	SA120N	WT120N		UT120S	YU120S
	ST120L	XT120L		UT120T	YU120T
	ST120N	XT120N		UU120S	
	<b>170 Pound</b>	AT170L	SU170L	XU170L	AT170S
AT170N		SU170N	XU170N	HT170S	WT170S
HA170L		UA170L	YT170L	HT170T	WT170T
HA170N		UA170N	YT170N	HU170S	XT170S
HT170L		UT170L		HU170T	XT170T
HT170N		UT170N		ST170S	XU170S
HU170L		UU170L		ST170T	XU170T
HU170N		UU170N		SU170S	YT170S
SA170L		WT170L		SU170T	YT170T
SA170N		WT170N		UT170S	
ST170L		XT170L		UT170T	
ST170N		XT170N		UU170S	

Includes models with the following control suffixes:

- RM – reversing OPL Micro
- RQ – reversing dual digital timer
- RT – reversing manual timer

## Customer Service

If literature or replacement parts are required, contact the source from which the machine was purchased or contact Alliance Laundry Systems at (920) 748-3950 for the name and address of the nearest authorized parts distributor.

For technical assistance, call (920) 748-3121.

## Wiring Diagram

The wiring diagram is located in the junction or contactor box.

Models starting Serial No. 0309\_\_\_\_ or later will have the wiring diagram part number in the lower portion of the electrical data on the serial plate.

## Introduction

### Serial Plate Location

When calling or writing for information about your product, be sure to mention model and serial numbers. Model and serial numbers are found on serial plate on rear of machine. Refer to *Figure 1*.

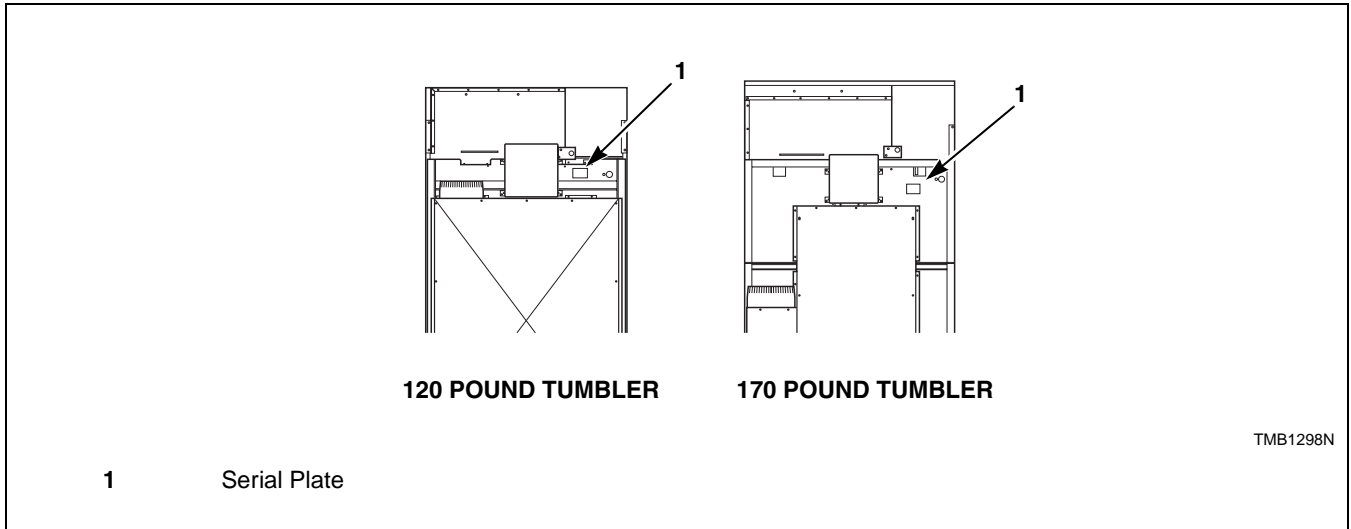




Figure 1


# Safety Information

## Explanation of Safety Messages

Throughout this manual and on machine decals, you will find precautionary statements (“DANGER,” “WARNING,” and “CAUTION”) followed by specific instructions. These precautions are intended for the personal safety of the operator, user, servicer, and those maintaining the machine.

	<b>DANGER</b>
Indicates an imminently hazardous situation that, if not avoided, will cause severe personal injury or death.	

	<b>WARNING</b>
Indicates a hazardous situation that, if not avoided, could cause severe personal injury or death.	


	<b>CAUTION</b>
Indicates a hazardous situation that, if not avoided, may cause minor or moderate personal injury or property damage.	

Additional precautionary statements (“IMPORTANT” and “NOTE”) are followed by specific instructions.

**IMPORTANT:** The word “IMPORTANT” is used to inform the reader of specific procedures where minor machine damage will occur if the procedure is not followed.

**NOTE:** The word “NOTE” is used to communicate installation, operation, maintenance or servicing information that is important but not hazard related.

**IMPORTANT:** Warranty is void unless tumbler is installed according to instructions in the Installation Manual. Compliance with minimum specifications and requirements detailed herein, and with applicable local gas fitting regulations, municipal building codes, water supply regulations, electrical wiring regulations, and any other relevant statutory regulations. Because of varied requirements, applicable local codes should be thoroughly understood and all pre-installation work arranged for accordingly.


	<b>WARNING</b>
Failure to install, maintain, and/or operate this machine according to manufacturer’s instructions may result in conditions which can produce serious injury, death and/or property damage.	
W051R1	

**NOTE:** The WARNING and IMPORTANT instructions appearing in this manual are not meant to cover all possible conditions and situations that may occur. It must be understood that common sense, caution and carefulness are factors which CANNOT be built into this tumbler. These factors MUST BE supplied by the person(s) installing, maintaining or operating the tumbler.

Always contact your dealer, distributor, service agent or the manufacturer on any problems or conditions you do not understand.

## Important Safety Instructions


### Save These Instructions

	<b>WARNING</b>
<b>Hazardous Voltage. Can cause shock, burn or cause death. Allow machine power to remain off for two minutes prior to working in and around AC inverter drive.</b>	
<small>W359</small>	

1. Read all instructions before using the tumbler.
2. Refer to the GROUNDING INSTRUCTIONS in the *Installation Manual* for the proper grounding of the tumbler.
3. Do not dry articles that have been previously cleaned in, washed in, soaked in, or spotted with gasoline, dry cleaning solvents, or other flammable or explosive substances as they give off vapors that could ignite or explode.
4. Do not allow children on or in the tumbler. This appliance is not intended for use by young children or infirm persons without supervision. Young children should be supervised to ensure that they do not play with the appliance.
5. Before the tumbler is removed from service or discarded, remove the door to the drying compartment and the door to the lint compartment.
6. Do not reach into the tumbler if the cylinder is revolving.
7. Do not install or store the tumbler where it will be exposed to water and/or weather.
8. Do not tamper with the controls.
9. Do not repair or replace any part of the tumbler, or attempt any servicing unless specifically recommended in the user-maintenance instructions or in published user-repair instructions that you understand and have the skills to carry out.
10. Do not use fabric softeners or products to eliminate static unless recommended by the manufacturer of the fabric softener or product.
11. To reduce the risk of fire, DO NOT DRY plastics or articles containing foam rubber or similarly textured rubberlike materials.
12. Always clean the lint filter daily.
13. Keep area around the exhaust opening and adjacent surrounding area free from the accumulation of lint, dust, and dirt.
14. The interior of the tumbler and the exhaust duct should be cleaned periodically by qualified service personnel.
15. If not installed, operated and maintained in accordance with the manufacturer's instructions or if there is damage to or mishandling of this product's components, use of this product could expose you to substances in the fuel or from fuel combustion which can cause death or serious illness and which are known to the State of California to cause cancer, birth defects or other reproductive harm.
16. Tumbler will not operate with the loading door open. DO NOT bypass the door safety switch to permit the tumbler to operate with the door open. The cylinder will stop rotating when the door is opened. Do not use the tumbler if the cylinder does not stop rotating when the door is opened or starts rotating without pressing or turning the START mechanism. Remove the tumbler from use and call the service person.
17. Tumbler will not operate with lint panel open. DO NOT bypass lint panel safety switch to permit the tumbler to operate with the lint panel open.
18. Do not put articles soiled with vegetable or cooking oil in the tumbler, as these oils may not be removed during washing. Due to the remaining oil, the fabric may catch on fire by itself.



19. To reduce the risk of fire, DO NOT put clothes which have traces of any flammable substances such as machine oil, flammable chemicals, thinner, etc. or anything containing wax or chemicals such as in mops and cleaning cloths, or anything dry-cleaned at home with dry-cleaning solvent in the tumbler.
20. Use the tumbler only for its intended purpose, drying water-washed fabrics.
21. ALWAYS disconnect the electrical power to the tumbler before servicing. Disconnect power by shutting off appropriate breaker or fuse.
22. Install this tumbler according to the *Installation Manual*. All connections for electrical power, grounding, and gas supply must comply with local codes and be made by licensed personnel when required.
23. Remove laundry immediately after tumbler stops.
24. Always read and follow manufacturer's instructions on packages of laundry and cleaning aids. Heed all warnings or precautions. To reduce the risk of poisoning or chemical burns, keep them out of reach of children at all times (preferably in a locked cabinet).
25. Do not tumble fiberglass curtains and draperies unless the label says it can be done. If they are dried, wipe out the cylinder with a damp cloth to remove particles of fiberglass.
26. Always follow the fabric care instructions supplied by the garment manufacturer.
27. Never operate the tumbler with any guards and/or panels removed.
28. DO NOT operate the tumbler if it is smoking, grinding, has missing or broken parts.
29. DO NOT bypass any safety devices.
30. Solvent vapors from dry-cleaning machines create acids when drawn through the heater of the drying unit. These acids are corrosive to the tumbler as well as to the laundry load being dried. Be sure make-up air is free of solvent vapors.
31. Failure to install, maintain, and/or operate this machine according to the manufacturer's instructions may result in conditions which can produce bodily injury and/or property damage.

	<b>WARNING</b>
<b>To reduce the risk of serious injury, install lockable door(s) to prevent public access to rear of tumblers.</b>	
<small>W055</small>	

# Operation



## WARNING

To reduce the risk of fire:

- DO NOT DRY articles containing foam rubber or similarly textured rubberlike materials.
- DO NOT DRY plastics, anything containing wax or chemicals such as mops and cleaning cloths, or anything dry-cleaned at home with a dry-cleaning solvent.
- DO NOT TUMBLE fiberglass curtains and draperies unless the label says it can be done. If they are dried, wipe out the cylinder with a damp cloth to remove particles of fiberglass.

W076

To reduce the risk of serious injury, allow cylinder to stop before cleaning lint screen.

W412

## Emergency Stop Button on CE Models

All CE approved OPL tumblers are factory equipped with an emergency stop button located on the front panel. Refer to *Figure 2*.

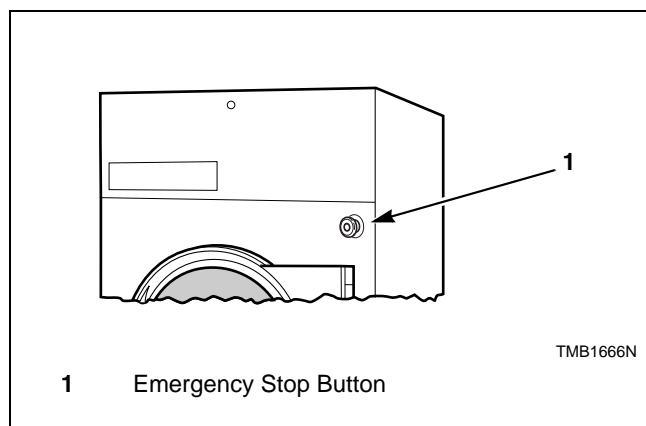


Figure 2

To operate emergency stop button:

- a. Press red emergency stop button to stop all action.
- b. To restart machine, pull red emergency stop button out and press START pad or button.

**NOTE: Activation of the emergency stop button stops all machine control circuit functions, but DOES NOT remove all electrical power from machine.**

## Operating Instructions

### Step 1: Clean Lint Screen/Compartment

Remove any accumulated lint from the lint screen and compartment. Close panel tightly against tumbler frame and lock panel securely, if applicable.

**IMPORTANT: Clean lint screen and lint compartment daily. Failure to clean the lint screen daily will result in higher than normal temperatures that may damage laundry.**

### Step 2: Load Laundry

Open loading door and load cylinder with laundry. DO NOT OVERLOAD.

**NOTE: Overloading causes slow drying and wrinkling.**

Close loading door. Tumbler will not operate with the door open.

### Step 3: Determine Control Type and Temperature Setting

Refer to the various controls, pages 9 - 13, follow instructions for the appropriate control type.

The type of fabric being dried will determine the temperature setting. Consult the fabric care label or fabric manufacturer to determine proper temperature setting.

**IMPORTANT: Always follow the fabric care instructions supplied by the garment manufacturer.**

### Step 4: Remove Laundry

When the cycle is complete, open door and remove the laundry.

## Control Instructions

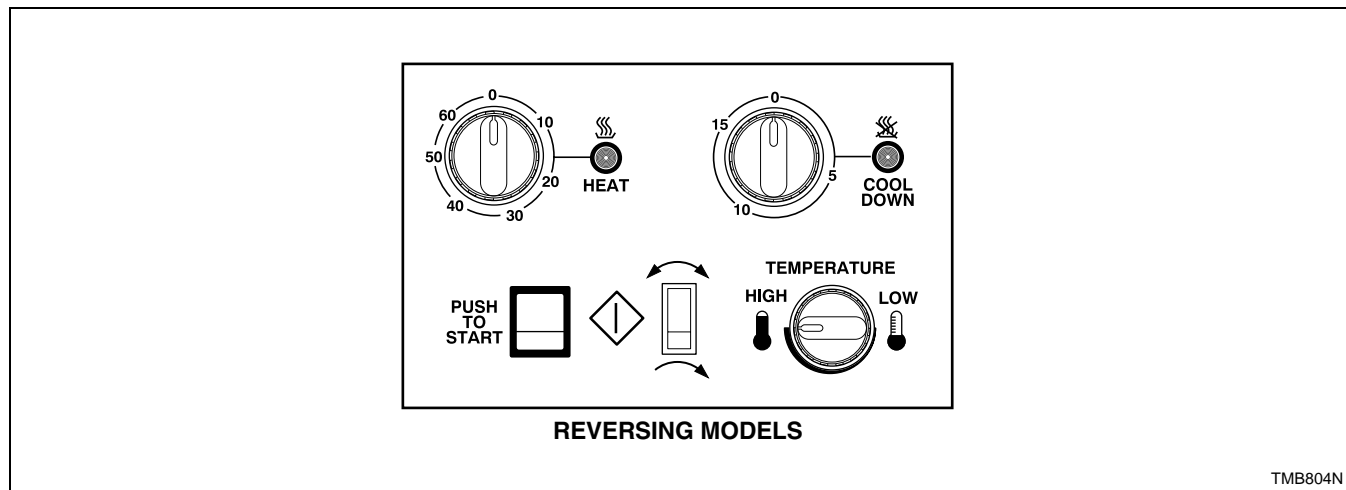


Figure 3

### Manual Timer Control

#### *RT Control Suffix*

1. Set the HEAT/DRYING timer for the number of minutes (from 0-60) desired.
2. Set the COOL DOWN/COOLING timer for the number of minutes (from 0-15) desired.
3. Set the TEMPERATURE selector at HIGH, MEDIUM, LOW or anywhere between these settings.
4. Select reversing or nonreversing cylinder rotation setting, if applicable.
5. Press the PUSH TO START button in and hold it in for approximately three seconds. This starts the tumbler cycle.

**IMPORTANT: If the loading door or lint panel door is opened during the cycle, the heating system will shut off and the motor will stop. To restart the cycle, door must be closed and the PUSH TO START button must be pressed in.**

6. When the cycle is complete, open door and remove the laundry.

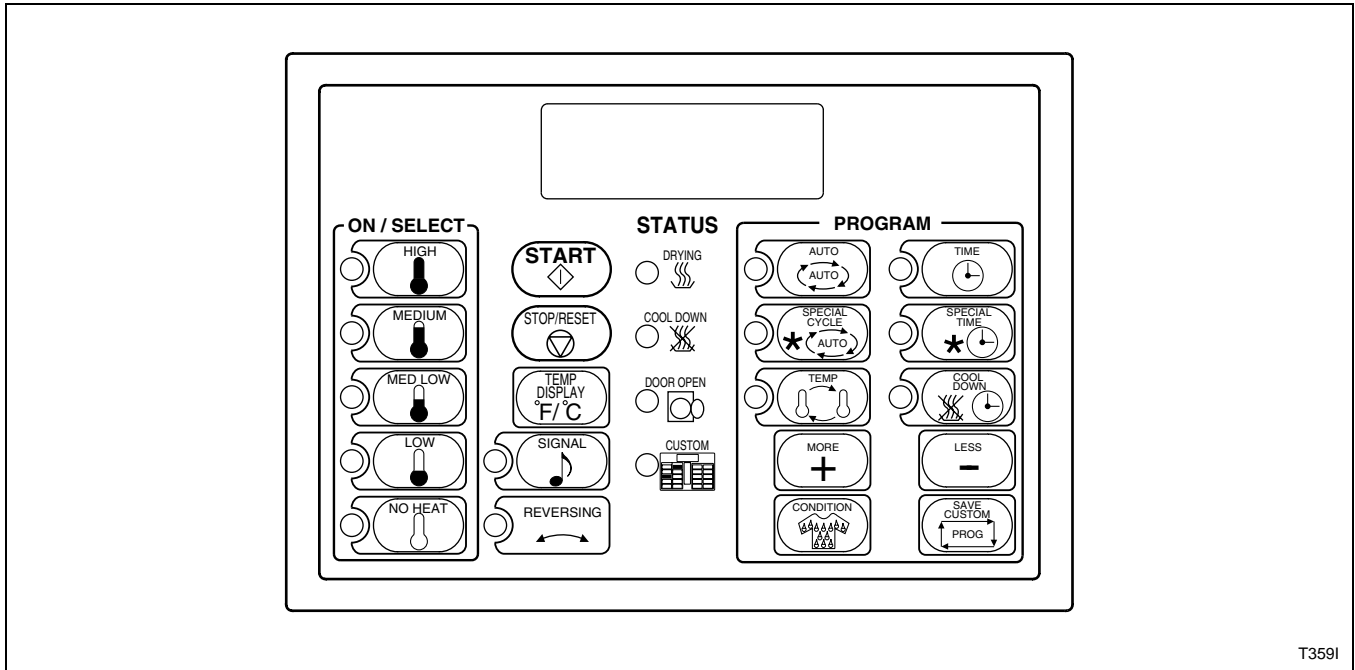


Figure 4

**Electronic OPL Control**

*RM Control Suffix*

1. To use an Automatic Cycle, press an ON/SELECT pad. Select HIGH, MEDIUM, MED LOW, LOW or NO HEAT for items that should not be dried with heat. A light to the left of the selected pad lights up.

To use a Time Dry or Custom Cycle, refer to the *Programming Manual*.

**NOTE:** Do not press directly on lights or the center of pad. For proper selection, press on pad slightly to the right of center. Refer to *Figure 5*.

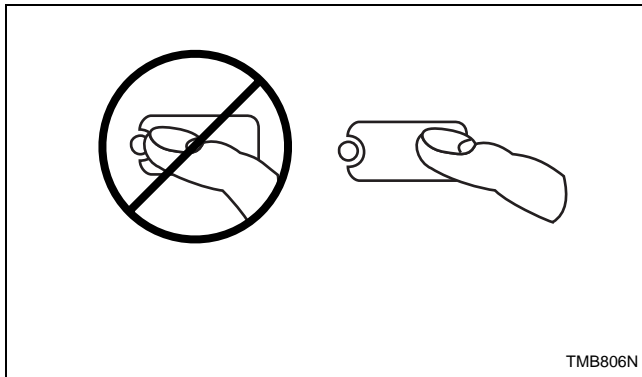


Figure 5

2. Select reversing or nonreversing cylinder rotation setting, if applicable.
3. Press START pad to start tumbler.

**NOTE:** All pads can be pressed in any sequence without damaging control or tumbler. To stop the tumbler at any time, open the door or press STOP/RESET. The window display will flash. Press STOP/RESET twice (within 3 seconds) to end the cycle and reset the control to idle status. To restart the tumbler, CLOSE door and press START pad.

**IMPORTANT:** If the loading door or lint panel door is opened during the cycle, the heating system will shut off and the motor will stop. To restart the cycle, both doors must be closed and the START pad must be pressed.

4. When the cycle is complete, open door and remove the laundry.

**NOTE:** This machine includes an anti-wrinkle/extended tumble feature. After the drying cycle is complete, the cylinder will tumble without heat every few minutes. The intermittent tumbling will continue for one hour or until the door is opened.

## Reversing Operation

Tumblers with the reversing option prevent the tangling of large pieces of laundry and minimize wrinkling. These tumblers are equipped with a second motor and additional controls which reverse the rotation direction of the cylinder.

### Reverse Control Switch

An “on-off” switch for manual timer models, or a touch pad for OPL Micro models is placed in the control panel area so the operator can select the reversing or nonreversing operation. In nonreversing mode, the cylinder will always turn clockwise (as viewed from the front of the tumbler). If the cylinder is turning counterclockwise when switched to nonreversing, it will continue for a few seconds and then start up in the proper direction.

**IMPORTANT: After any electrical maintenance is done, make sure that the blower motor is turning counterclockwise. Then set the reverse control switch to “nonreversing” and note that the cylinder turns constantly clockwise as viewed from the front of the tumbler. If not, interchange L1 and L2 service leads to reverse the drive motor.**

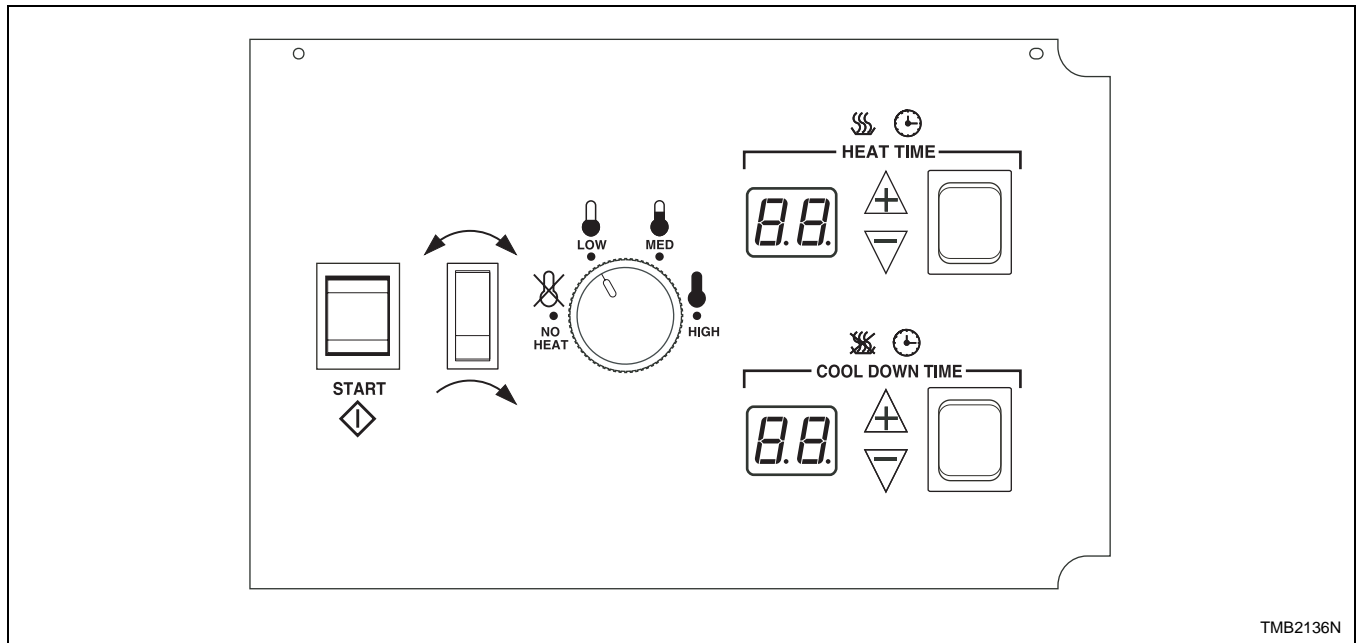


Figure 6

## Dual Digital Timer Control

### RQ Control Suffix

1. Select HIGH, MED, LOW or NO HEAT by turning the temperature knob.
2. Set the HEAT TIME for the number of minutes (from 0-60) desired.
3. Set the COOL DOWN TIME for the number of minutes (from 0-15) desired.
4. Select reversing or nonreversing cylinder rotation setting, if applicable.
5. Press and release START button to start tumbler. Display will show minutes remaining before end of cycle.

**NOTE: One touch drying is available for repetitive loads. If the START button is pressed while the machine is in Idle Mode, when the display is dark, the tumbler will repeat the last drying cycle. If the cycle time is adjusted before the cycle is started, the time displayed when the start button was pressed will be used for future cycles.**

**IMPORTANT: To stop the tumbler at any time during the cycle, OPEN DOOR. If the loading door or lint panel door is opened during the cycle, the heating system will shut off and the motor will stop. To restart the cycle, both doors must be closed and the START button must be pressed in.**

If the load cools to 90° F before cool down time expires, the control will flash “Lr” (load ready) in the heat time display. If the door is not opened, the tumbler completes the selected cool down time. If the door is opened after reaching “Lr” temperature, the cycle will be terminated.

**NOTE: If display shows an error code, refer to Error Codes section.**

6. When the cycle is complete, open door and remove the laundry. Anti-wrinkle feature will tumble the load without heat for 30 seconds every 2 minutes for 1 hour OR until the loading door is opened.

**NOTE: This machine includes an anti-wrinkle/extended tumble feature. After the drying cycle is complete, the cylinder will tumble without heat every few minutes. The intermittent tumbling will continue for one hour or until the door is opened.**

**To Program a Short Test Cycle:**

1. Unplug machine power cord.
2. Write down machine control dip switch settings, then set them all to the off position. Refer to Figure 7.
3. Plug machine in and start a cycle.

**NOTE: With all control dip switches off, the total cycle time will be 1 minute long.**

4. Once all testing is complete, unplug machine and re-set dip switches to their original settings.
5. Plug machine in.

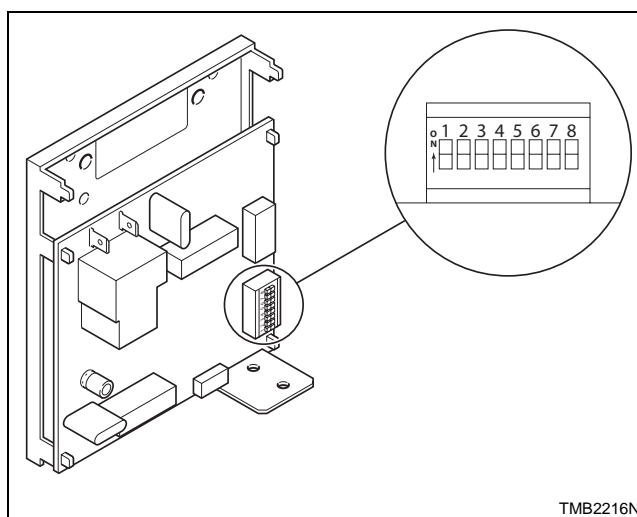


Figure 7

**Error Codes**

	<b>WARNING</b>
<p><b>To reduce the risk of electric shock, fire, explosion, serious injury or death:</b></p> <ul style="list-style-type: none"> <li>• <b>Disconnect electric power to the tumbler before servicing.</b></li> <li>• <b>Close gas shut-off valve to gas tumbler before servicing.</b></li> <li>• <b>Close steam valve to steam tumbler before servicing.</b></li> <li>• <b>Never start the tumbler with any guards/panels removed.</b></li> <li>• <b>Whenever ground wires are removed during servicing, these ground wires must be reconnected to ensure that the tumbler is properly grounded.</b></li> </ul>	
<small>W002</small>	

Display	Definition	Corrective Action
<b>OP</b>	Open thermistor error	<ul style="list-style-type: none"> <li>• Check thermistor. Replace if inoperative.</li> <li>• Check wiring diagram between control and thermistor. Refer to wiring diagram for proper wiring.</li> <li>• Check control. Replace if inoperative.</li> </ul>
<b>SH</b>	Shorted thermistor error	<ul style="list-style-type: none"> <li>• Check thermistor. Replace if inoperative.</li> <li>• Check wiring between control and thermistor. Refer to wiring diagram for proper wiring.</li> <li>• Check control. Replace if inoperative.</li> </ul>
<b>AF - 1</b>	Airflow switch closed when cycle started	<ul style="list-style-type: none"> <li>• Check airflow switch. Replace if inoperative.</li> </ul>
<b>AF - 2</b>	Airflow switch failed to close after cycle started	<ul style="list-style-type: none"> <li>• Check airflow switch. Replace if inoperative.</li> </ul>

## Operation

### Ignition Control Operation

#### Power Up

After 24 VAC is applied to the ignition control pins 24V and GND, the Diagnostic LED on the ignition control will turn orange/yellow. If a fault is detected the ignition control will enter Lockout Mode. If no faults are detected, the Diagnostic LED will turn Green and the ignition control will enter Standby Mode.

#### Standby Mode

While in Standby Mode, the ignition control will continually monitor the system for faults. Once 24VAC is applied to terminals TH and GND on the control, the ignition control will enter Start Up Mode.

#### Start Up Mode

During Start Up Mode, the ignition control will monitor the system for faults and begin the ignition sequence. If no faults are present, the ignition control will begin the ignition sequence by entering an 18 second waiting period. During this time the Green LED on the ignition control will switch between Red and Green, before maintaining a Green color.

After the waiting period, the ignition control will turn on the igniter and gas valve. The igniter will remain on until a flame is sensed, or up to 10 seconds.

Once a flame has been sensed the ignition control will stop sparking, the gas valve will remain on and ignition control will enter Run Mode.

If a flame is not sensed, the ignition control will then begin two additional retrials for ignition. The ignition control will re-enter the 18 seconds waiting period before the ignition control makes another attempt at ignition. If the three attempts at ignition fail, the ignition control will enter Lockout Mode.

#### Run Mode

While in Run Mode the ignition control leaves the gas valve on, monitors the flame signal, and leaves the igniter off.

If a flame signal is lost during Run Mode, one additional retrial for ignition will take place within one second. The ignition control will restore the spark for approximately 10 seconds. If the ignition re-attempt fails, the ignition control will enter Lockout Mode.

The ignition control will remain in Run Mode until 24VAC is removed from terminals TH and GND on the control.

### Termination of Flame

The flame will go out when power is removed from ignition control. The ignition control will turn off the gas valve and enter Standby Mode.

#### Lockout Mode

When Lockout Mode is entered, the ignition control will remove power to the gas valve, the igniter will turn off, the Lockout/Reset Light will turn on, and the Diagnostic LED will display the appropriate Error Code.

#### Lockout Manual Reset

Lockout Mode is cleared by pressing an external reset switch for three seconds. The ignition control will clear all error codes and enter Standby Mode. During Lockout Manual Reset, the Diagnostic LED on the ignition control flashes red and orange, and the Reset Light remains on until the ignition control is reset. After the Reset Light turns off, stop pressing the switch. Holding the reset for three seconds after lockout has been cleared will cause a fault and result in entering Lockout Mode again.

#### System Tests

The following system tests are performed during normal operation. System tests are performed at a minimum of every 24 hours.

#### Low Voltage Detection

If the voltage between terminals TH and GND on the control is below 18.75VAC +/- 0.75VAC for more than 3 seconds the ignition control will turn off the gas valve and will not attempt to spark. The Diagnostic LED will display Error Code 5. The ignition control will not enter Lockout Mode if a low voltage condition is detected, but will enter Standby Mode and wait for the low voltage condition to be cleared.

If the voltage between terminals TH and GND on the control rises above 19.75VAC +/- 0.1VAC for at least 3 seconds, the ignition control will then enter Start Up Mode.

Low Voltage Detection test is disabled during Run Mode.



### Gas Valve

The ignition control verifies that the gas valve is connected. Failure of this test results in the ignition control entering Lockout Mode with the Diagnostic LED displaying Error Code 2.

### Flame Probe Tests

#### Unexpected Presence of Flame

The Unexpected Presence of Flame test is performed when no flame is expected. Failure of this test results in the ignition control entering Lockout Mode with the Diagnostic LED displaying Error Code 3.

#### Flame Monitoring

During the Flame Monitoring test, the flame is checked to ensure the gas is being burned when the gas valve is on. Failure of this test will result in the ignition control entering Lockout Mode with the Diagnostic LED displaying Error Code 3.

### Diagnostic LED (DGN LED) / Error Codes

The Diagnostic LED or DGN LED is located by the power connector on the ignition control. Refer to *Figure 8*. The Diagnostic LED will indicate the status of the ignition control. Refer to *Table 1*.

LED Color	Description
Orange-Yellow	Initialization
Green	Standby / Normal Operation
Red	Fault Indication Code

Table 1

The Diagnostic LED will flash error codes one half second on and one half second off. Error codes are separated by a one second pause before the code is repeated.

Error Code	DGN LED status	Fault Type
1	Red	Ignition Control Internal Failure
2	2 Red Flashes	Gas Valve Not Connected
3	3 Red Flashes	Ignition/Flame Sense Failure
4	4 Red Flashes	Reset Switch is Shorted
5	Slow Red and Green Flashes	Low Voltage Detection
6	Fast Red and Orange Flashes	Ignition Control is in Reset Delay

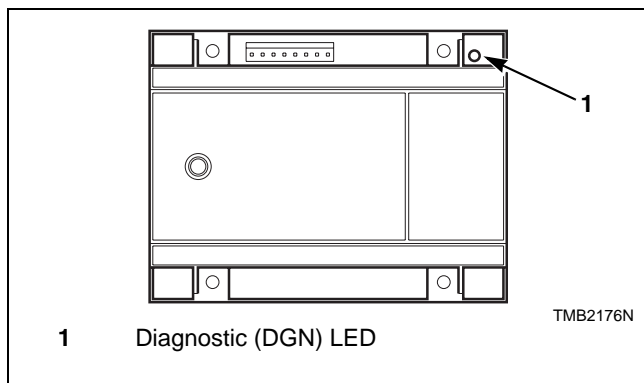


Figure 8

# Maintenance



## WARNING

To reduce the risk of electric shock, fire, explosion, serious injury or death:

- Disconnect electric power to the tumbler before servicing.
- Close gas shut-off valve to gas tumbler before servicing.
- Close steam valve to steam tumbler before servicing.
- Never start the tumbler with any guards/panels removed.
- Whenever ground wires are removed during servicing, these ground wires must be reconnected to ensure that the tumbler is properly grounded.

W002

## Daily

1. Inspect the area surrounding tumblers, remove all combustible materials, including lint, before operating the machines.
  2. Check cylinder for foreign objects to avoid damage to clothing and equipment.
  3. Clean lint from lint compartment and screen to maintain proper airflow and avoid overheating.
- a. The lint screen is designed to completely cover the entire opening in the lint screen panel. Be sure that it does so. Excessive gaps between the lint screen and the lint screen panel allow lint to pass into the ductwork system and may restrict airflow.
  - e. Carefully wipe any accumulated lint off of the cabinet high limit thermostat and thermistor. Failure to do so will allow a buildup of lint in this area to act as an insulator, causing the tumbler to overheat. Refer to *Figure 9*.
  - f. Replace the lint compartment panel on the tumbler ensuring a tight fit, and lock if applicable.



## WARNING

To reduce the risk of serious injury, do not open the lint panel while the tumbler is in operation. Before cleaning the lint screen, open tumbler door and allow cylinder to completely stop.

W410

- a. Open the lint panel.
- b. Remove all accumulated lint in the lint compartment area. Lightly brush any lint that may be left on the lint screen. Lint left in the lint compartment is drawn back onto the lint screen and will restrict airflow.
- c. Be sure the lint screen is not torn. If it is, replace immediately. A torn lint screen allows lint to pass from the tumbler to the ductwork system and may restrict airflow.

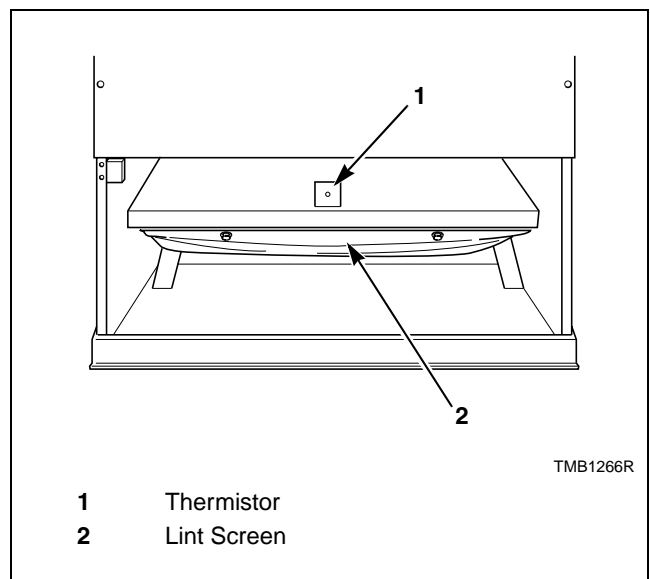


Figure 9



## WARNING

To reduce the risk of electric shock, fire, explosion, serious injury or death:

- Disconnect electric power to the tumbler before servicing.
- Close gas shut-off valve to gas tumbler before servicing.
- Close steam valve to steam tumbler before servicing.
- Never start the tumbler with any guards/panels removed.
- Whenever ground wires are removed during servicing, these ground wires must be reconnected to ensure that the tumbler is properly grounded.

W002

### Monthly

1. Remove lint and debris from inside exhaust duct to maintain proper airflow and avoid overheating.
  - a. Remove external duct and duct access covers, if present.
  - b. Clean inside of duct with a vacuum.
  - c. Clean dampers and make sure they operate freely.
  - d. Replace duct and all access covers before returning operation.
2. Ensure even lint distribution over lint screen, replace if distribution of lint is uneven to maintain proper airflow and avoid overheating.
3. Carefully wipe any accumulated lint off the cabinet high limit thermostat and thermistor, including perforated cover. Lint buildup will act as an insulator, causing machine to overheat.
4. Clean lint and debris buildup from blower to maintain proper airflow, to avoid overheating and prevent possible vibration.

### Bi-Annually

1. Check mounting hardware for any loose nuts, bolts or screws.
2. Check gas connections for leakage.
3. Check for loose electrical connections.
4. Check steam connections for looseness and leakage.
5. Remove all front panels and vacuum, including coin drop mechanisms.
6. Check cylinder and front panel seals.
7. Inspect cabinet and inner panels for any damage, replace or repair as needed.
8. Clean burner tubes of any lint buildup.

### Quarterly

1. Use a vacuum to clean air vents on drive motors.
2. Use a vacuum to clean lint from rear limit thermostat cover.
3. Check and clean steam coils, if applicable.
4. Check flow of combustion and ventilation air.
5. Check belt tension and condition. Replace worn or cracked belts.



## WARNING

**To reduce the risk of electric shock, fire, explosion, serious injury or death:**

- **Disconnect electric power to the tumbler before servicing.**
- **Close gas shut-off valve to gas tumbler before servicing.**
- **Close steam valve to steam tumbler before servicing.**
- **Never start the tumbler with any guards/panels removed.**
- **Whenever ground wires are removed during servicing, these ground wires must be reconnected to ensure that the tumbler is properly grounded.**


W002

### *Daily Maintenance*

Inspect the area surrounding tumblers, remove all combustible materials, including lint, before operating the machine.								
Check cylinder for foreign objects to avoid damage to clothing and equipment.								
Clean lint from lint compartment and screen to maintain proper airflow and avoid overheating.								

### *Monthly Maintenance*

Remove lint and debris from inside exhaust duct to maintain proper airflow and avoid overheating.								
Ensure even lint distribution over lint screen, replace if distribution of lint is uneven to maintain proper airflow and avoid overheating								
Carefully wipe any accumulated lint off the cabinet high limit thermostat and thermistor, including perforated cover. Lint buildup will act as an insulator, causing machine to overheat.								
Clean lint and debris buildup from blower to maintain proper airflow, to avoid overheating and prevent possible vibration.								

	WARNING
<p><b>To reduce the risk of electric shock, fire, explosion, serious injury or death:</b></p> <ul style="list-style-type: none"> <li>• <b>Disconnect electric power to the tumbler before servicing.</b></li> <li>• <b>Close gas shut-off valve to gas tumbler before servicing.</b></li> <li>• <b>Close steam valve to steam tumbler before servicing.</b></li> <li>• <b>Never start the tumbler with any guards/panels removed.</b></li> <li>• <b>Whenever ground wires are removed during servicing, these ground wires must be reconnected to ensure that the tumbler is properly grounded.</b></li> </ul>	
W002	

*Quarterly Maintenance*

Use a vacuum to clean air vents on drive motors.									
Use a vacuum to clean lint from rear limit thermostat cover.									
Check and clean steam coils.									
Check flow of combustion and ventilation air.									
Check belt tension and condition. Replace worn or cracked belts.									

*Bi-Annually Maintenance*

Check mounting hardware for any loose nuts, bolts or screws.									
Check gas connections for leakage.									
Check for loose electrical connections.									
Check steam connections for looseness and leakage.									
Remove all front panels and vacuum, including coin drop mechanisms.									
Check cylinder and front panel seals.									
Inspect cabinet and inner panels for any damage, replace or repair as needed.									
Clean burner tubes of any lint buildup.									

# Before You Call for Service

Won't Start	Won't Heat	Clothes Not Dry	Possible Reason – Corrective Actions
•			Insert correct coin(s) or valid card if applicable.
•			Close the loading door tightly.
•			Close lint panel tightly.
•			Press the PUSH TO START or START pad/button.
•			Be sure power cord is plugged all the way into the electrical outlet.
•			Drying timer is in OFF position.
•			Check the main fuse and circuit breaker.
•			Check fuses located in the machine.
	•		Insufficient airflow.
	•		Gas shut-off valve in OFF position.
	•		Are controls properly set?
	•		Broken drive belt. Call the service person.
	•	•	Tumbler is in Cool Down Mode.
	•	•	Lint screen clogged. Clean lint screen.
	•	•	Exhaust duct to outside is blocked. Clean out.

## Customer Service

If literature or replacement parts are required, contact the source from which the machine was purchased or contact Alliance Laundry Systems at (920) 748-3950 for the name and address of the nearest authorized parts distributor.

For technical assistance, call (920) 748-3121.

## Free Manuals Download Website

<http://myh66.com>

<http://usermanuals.us>

<http://www.somanuals.com>

<http://www.4manuals.cc>

<http://www.manual-lib.com>

<http://www.404manual.com>

<http://www.luxmanual.com>

<http://aubethermostatmanual.com>

Golf course search by state

<http://golfingnear.com>

Email search by domain

<http://emailbydomain.com>

Auto manuals search

<http://auto.somanuals.com>

TV manuals search

<http://tv.somanuals.com>