

Washer-Extractors

Cabinet Freestanding

CE

— Basic Installation/Operation —

Keep These Instructions for Future Reference.

(If this machine changes ownership, this manual must accompany machine.)



www.comlaundry.com

Part No. 9001014R7
June 2010

Table of Contents

Introduction	2
Model Identification	2
Safety Information	3
Explanation of Safety Messages.....	3
Important Safety Instructions	3
Safety Decals	5
Operator Safety	6
Specifications and Dimensions	7
Installation	22
Dimensional Clearances.....	22
Machine Foundation	23
Mechanical Installation.....	24
Frame Dimensions and Mounting Bolt Location for 18, 25, 33, 35, 40, 55, 75, 100, 135, 165 and 200 Models.....	24
Mounting Bolt Installation (If Required).....	27
Electrical Specifications	28
Operation	30
Control Identification.....	30
Load the Machine	31
Disposal of Unit	32

© Copyright 2010, Alliance Laundry Systems LLC

All rights reserved. No part of the contents of this book may be reproduced or transmitted in any form or by any means without the expressed written consent of the publisher.

Introduction

Model Identification


Information in this manual is applicable to these models:


HX18PV	HX100PV	SX25PV	SX135PV	UX33PV	UX100PV
HX25PV	HX135PV	SX35PV	SX165PV	UX35PV	UX135PV
HX35PV	HX165PV	SX55PV	SX200PV	UX40PV	UX165PV
HX55PV	HX200PV	SX75PV	UX18PV	UX55PV	UX200PV
HX75PV	SX18PV	SX100PV	UX25PV	UX75PV	


Safety Information

Explanation of Safety Messages

Precautionary statements (“DANGER,” “WARNING,” and “CAUTION”), followed by specific instructions, are found in this manual and on machine decals. These precautions are intended for the personal safety of the operator, user, servicer, and those maintaining the machine.

	DANGER
<p>DANGER indicates the presence of a hazard that will cause severe personal injury, death, or substantial property damage if the danger is ignored.</p>	

	WARNING
<p>WARNING indicates the presence of a hazard that can cause severe personal injury, death, or substantial property damage if the warning is ignored.</p>	


	CAUTION
<p>CAUTION indicates the presence of a hazard that will or can cause minor personal injury or property damage if the caution is ignored.</p>	

Additional precautionary statements (“IMPORTANT” and “NOTE”) are followed by specific instructions.

IMPORTANT: The word “IMPORTANT” is used to inform the reader of specific procedures where minor machine damage will occur if the procedure is not followed.

NOTE: The word “NOTE” is used to communicate installation, operation, maintenance or servicing information that is important but not hazard related.

Important Safety Instructions

	WARNING
<p>To reduce the risk of fire, electric shock, serious injury or death to persons when using your washer, follow these basic precautions:</p>	
W023	


1. Read all instructions before using the washer.
2. Refer to the GROUNDING INSTRUCTIONS in the INSTALLATION manual for the proper grounding of the washer.
3. Do not wash textiles that have been previously cleaned in, washed in, soaked in, or spotted with gasoline, kerosene, waxes, cooking oils, dry-cleaning solvents, or other flammable or explosive substances as they give off vapors that could ignite or explode.
4. Do not add gasoline, dry-cleaning solvents, or other flammable or explosive substances to the wash water. These substances give off vapors that could ignite or explode.
5. Under certain conditions, hydrogen gas may be produced in a hot water system that has not been used for two weeks or more. HYDROGEN GAS IS EXPLOSIVE. If the hot water system has not been used for such a period, before using a washing machine or combination washer-dryer, turn on all hot water faucets and let the water flow from each for several minutes. This will release any accumulated hydrogen gas. The gas is flammable, do not smoke or use an open flame during this time.
6. Do not allow children to play on or in the washer. Close supervision of children is necessary when the washer is used near children. This is a safety rule for all appliances.
7. Before the washer is removed from service or discarded, remove the door to the washing compartment.
8. Do not reach into the washer if the wash drum is moving.

Basic Installation/Operation


9. Do not install or store the washer where it will be exposed to water and/or weather.
10. Do not tamper with the controls.
11. Do not repair or replace any part of the washer, or attempt any servicing unless specifically recommended in the user-maintenance instructions or in published user-repair instructions that the user understands and has the skills to carry out.
12. To reduce the risk of an electric shock or fire, DO NOT use an extension cord or an adapter to connect the washer to the electrical power source.
13. Use washer only for its intended purpose, washing textiles.
14. Never wash machine parts or automotive parts in the machine. This could result in serious damage to the basket.
15. ALWAYS disconnect the washer from electrical supply before attempting any service. Disconnect the power cord by grasping the plug, not the cord.
16. Install the washer according to the INSTALLATION INSTRUCTIONS. All connections for water, drain, electrical power and grounding must comply with local codes and be made by licensed personnel when required.
17. To reduce the risk of fire, textiles which have traces of any flammable substances such as vegetable oil, cooking oil, machine oil, flammable chemicals, thinner, etc., or anything containing wax or chemicals such as in mops and cleaning cloths, must not be put into the washer. These flammable substances may cause the fabric to catch on fire by itself.
18. Do not use fabric softeners or products to eliminate static unless recommended by the manufacturer of the fabric softener or product.
19. Keep washer in good condition. Bumping or dropping the washer can damage safety features. If this occurs, have washer checked by a qualified service person.
20. If the supply cord is damaged, it must be replaced by a special cord or assembly available from the manufacturer or its service agent.
21. Be sure water connections have a shut-off valve and that fill hose connections are tight. CLOSE the shut-off valves at the end of each wash day.
22. Loading door MUST BE CLOSED any time the washer is to fill, tumble or spin. DO NOT bypass the loading door switch by permitting the washer to operate with the loading door open.
23. Always read and follow manufacturer's instructions on packages of laundry and cleaning aids. Heed all warnings or precautions. To reduce the risk of poisoning or chemical burns, keep them out of the reach of children at all times (preferably in a locked cabinet).
24. Always follow the fabric care instructions supplied by the textile manufacturer.
25. Never operate the washer with any guards and/or panels removed.
26. DO NOT operate the washer with missing or broken parts.
27. DO NOT bypass any safety devices.
28. Failure to install, maintain, and/or operate this washer according to the manufacturer's instructions may result in conditions which can produce bodily injury and/or property damage.


NOTE: The WARNINGS and IMPORTANT SAFETY INSTRUCTIONS appearing in this manual are not meant to cover all possible conditions and situations that may occur. Common sense, caution and care must be exercised when installing, maintaining, or operating the washer.


Any problems or conditions not understood should be reported to the dealer, distributor, service agent or the manufacturer.

	WARNING
<p>This machine must be installed, adjusted, and serviced by qualified electrical maintenance personnel familiar with the construction and operation of this type of machinery. They must also be familiar with the potential hazards involved. Failure to observe this warning may result in personal injury and/or equipment damage, and may void the warranty.</p>	
SW004	

IMPORTANT: Ensure that the recommended clearances for inspection and maintenance are provided. Never allow the inspection and maintenance space to be blocked.

	WARNING
<p>Install the machine on a level floor of sufficient strength. Failure to do so may result in conditions which can produce serious injury, death and/or property damage.</p>	
W703	

	CAUTION
<p>Be careful around the open door, particularly when loading from a level below the door. Impact with door edges can cause personal injury.</p>	
SW025	

	WARNING
<p>Never touch internal or external steam pipes, connections, or components. These surfaces can be extremely hot and will cause severe burns. The steam must be turned off and the pipe, connections, and components allowed to cool before the pipe can be touched.</p>	
SW014	

Safety Decals

Safety decals appear at crucial locations on the machine. Failure to maintain legible safety decals could result in injury to the operator or service technician.

To provide personal safety and keep the machine in proper working order, follow all maintenance and safety procedures presented in this manual. If questions regarding safety arise, contact the manufacturer immediately.

Use manufacturer-authorized spare parts to avoid safety hazards.


Operator Safety

	WARNING
NEVER insert hands or objects into basket until it has completely stopped. Doing so could result in serious injury.	
<small>SW012</small>	

To ensure the safety of machine operators, the following maintenance checks must be performed daily:

1. Prior to operating the machine, verify that all warning signs are present and legible. Missing or illegible signs must be replaced immediately. Make certain that spares are available.
2. Check door interlock before starting operation of the machine:
 - a. Attempt to start the machine with the door open. The machine should not start with the door open.
 - b. Close the door without locking it and attempt to start the machine. The machine should not start with the door unlocked.
 - c. Close and lock the door and start a cycle. Attempt to open the door while the cycle is in progress. The door should not open.If the door lock and interlock are not functioning properly, call a service technician.
3. Do not attempt to operate the machine if any of the following conditions are present:
 - a. The door does not remain securely locked during the entire cycle.
 - b. Excessively high water level is evident.
 - c. Machine is not connected to a properly grounded circuit.

Do not bypass any safety devices in the machine.

	WARNING
Never operate the machine with a bypassed or disconnected balance system. Operating the machine with severe out-of-balance loads could result in personal injury and serious equipment damage.	
<small>SW039</small>	

Specifications and Dimensions

General Specifications					
Model	18	25	33	35	40
Overall Dimensions					
Overall width	660 mm (26 in.)	660 mm (26 in.)	780 mm (30.71 in.)	783 mm (30.8 in.)	780 mm (30.71 in.)
Overall height	1031 mm (40.6 in.)	1031 mm (40.6 in.)	1376 mm (54.15 in.)	1194 mm (47 in.)	1376 mm (54.15 in.)
Overall depth	780 mm (30.7 in.)	870 mm (34.3 in.)	840 mm (33.07 in.)	960 mm (37.8 in.)	940 mm (37.01 in.)
Weight and Shipping Information					
Net weight †	211 kg (465 lb.)	236 kg (520 lb.)	368 kg (811.30 lb.)	358 kg (789 lb.)	391 kg (862.01 lb.)
Net weight ††	236 kg (520 lb.)	241 kg (531 lb.)	N/A	347 kg (765 lb.)	N/A
Shipping weight †	233 kg (514 lb.)	258 kg (569 lb.)	383 kg (844.37 lb.)	388 kg (855 lb.)	418 kg (921.53 lb.)
Shipping weight ††	283 kg (624 lb.)	290 kg (639.5 lb.)	N/A	467 kg (1030 lb.)	N/A
Shipping volume	0.8 m ³ (22.5 ft. ³)	0.9 m ³ (24.5 ft. ³)	1.21 m ³ (42.83 ft. ³)	1.3 m ³ (34.7 ft. ³)	1.3 m ³ (45.98 ft. ³)
Wash Cylinder Information					
Cylinder diameter	530 mm (20.9 in.)	530 mm (20.9 in.)	680 mm (26.77 in.)	650 mm (25.6 in.)	680 mm (26.77 in.)
Cylinder depth	345 mm (13.6 in.)	440 mm (17.3 in.)	400 mm (15.75 in.)	500 mm (19.7 in.)	500 mm (19.69 in.)
Cylinder volume	76 l (2.7 ft. ³)	97 l (3.43 ft. ³)	145 l (5.12 ft. ³)	167 l (5.9 ft. ³)	181 l (6.39 ft. ³)
Perforation size	3 mm (0.1 in.)	3 mm (0.1 in.)	3 mm (0.1 in.)	3 mm (0.1 in.)	3 mm (0.1 in.)
Door Opening Information					
Door opening size	300 mm (11.8 in.)	300 mm (11.8 in.)	400 mm (15.75 in.)	300 mm (11.8 in.)	400 mm (15.75 in.)
Height of door bottom above floor	279 mm (11 in.)	279 mm (11 in.)	472 mm (18.58 in.)	395 mm (15.6 in.)	472 mm (18.58 in.)

† For Models with A or M in the 8th position in the model number (e.g. *X18PVXA6)

†† For Models with U in the 8th position in the model number (e.g. *X18PVXU6)

(continued)

Basic Installation/Operation

(continued)

General Specifications					
Model	18	25	33	35	40
Drive Train Information					
Number of motors in drive train	1	1	1	1	1
Drive motor power	0.75 kW (1 HP)	0.75 kW (1 HP)	2.2 kW (2.95 HP)	1.5 kW (2 HP)	2.2 kW (2.95 HP)
Cylinder Speeds					
Wash/reverse speed	10-50 RPM	10-50 RPM	10-50 RPM	10-50 RPM	10-50 RPM
Distribution/drain speed	82 RPM	82 RPM	85 RPM	74 RPM	85 RPM
Extract speed	250-1000 RPM	250-1000 RPM	250-1000 RPM	250-1000 RPM	250-1000 RPM
Centrifugal Force Data					
Wash/reverse centrifugal force	0.03-0.74 Gs	0.03-0.74 Gs	0.37-0.94 Gs	0.04-0.91 Gs	0.37-0.94 Gs
Extract centrifugal force	19-296 Gs	19-296 Gs	24-377 Gs	23-363 Gs	24-377 Gs
Balance Detection					
Vibration safety switch installed	Standard	Standard	Standard	Standard	Standard
Direct Steam Heating (Optional)					
Steam inlet connection size	10 mm (0.38 in.)	10 mm (0.38 in.)	10 mm (0.375 in.)	10 mm (0.38 in.)	10 mm (0.375 in.)
Number of steam inlets	1	1	1	1	1
Electrical Heating (Optional)					
Total electrical heating capacity	9 kW	9 kW	18 kW	18 kW	18 kW
Electrical heating elements	3	3	6	6	6
Electrical heat element size	3 kW	3 kW	3 kW	3 kW	3kW

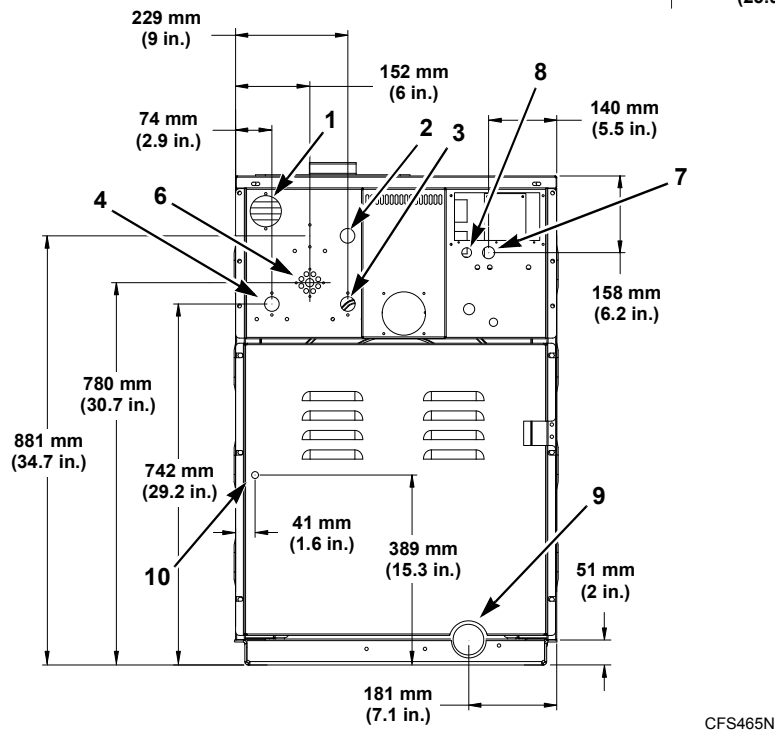
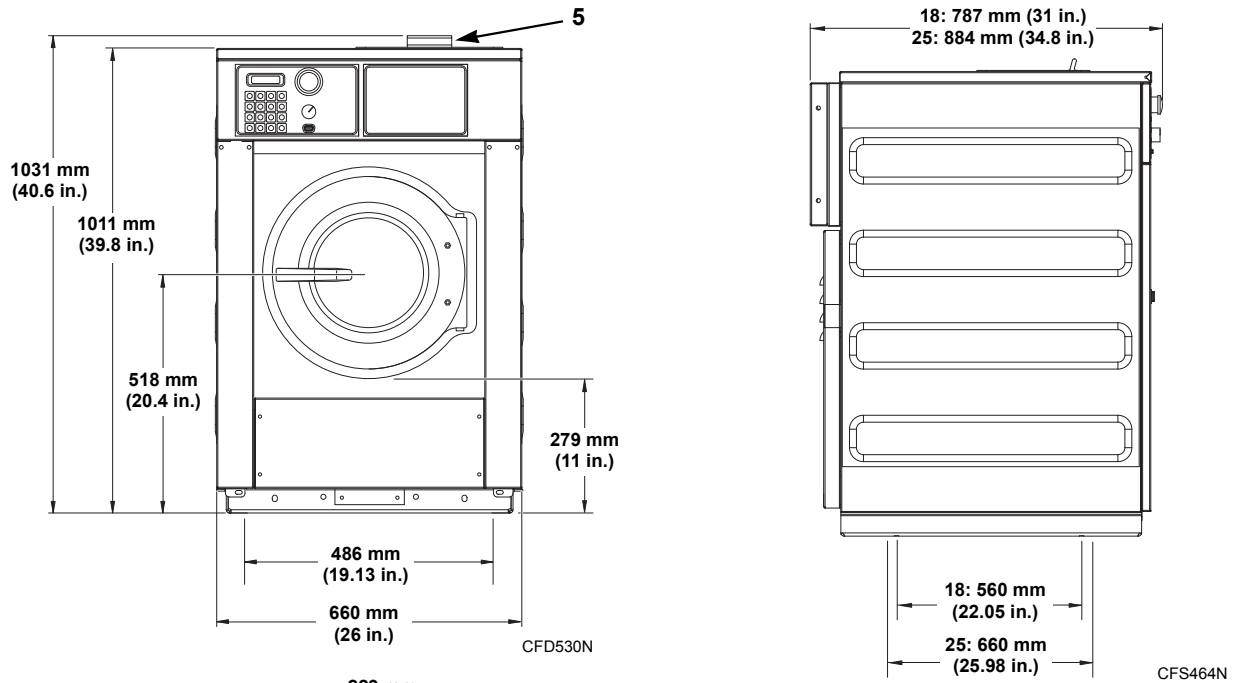
General Specifications						
Model	55	75	100	135	165	200
Overall Dimensions						
Overall width	900 mm (35.4 in.)	1060 mm (41.8 in.)	1200 mm (47.3 in.)	1200 mm (47.3 in.)	1300 mm (51.8 in.)	1300 mm (51.8 in.)
Overall height	1544 mm (60.8 in.)	1560 mm (61.4 in.)	1920 mm (75.6 in.)	1920 mm (75.6 in.)	2100 mm (82.7 in.)	2100 mm (82.68 in.)
Overall depth	1016 mm (40 in.)	1168 mm (46 in.)	1330 mm (52.4 in.)	1500 mm (59.1 in.)	1620 mm (63.8 in.)	1808 mm (71.18 in.)
Weight and Shipping Information						
Net weight	570 kg (1247 lb.)	865 kg (1907 lb.)	1520 kg (3351 lb.)	1645 kg (3626 lb.)	2100 kg (4630 lb.)	2900 kg (6393.41 lb.)
Shipping weight	630 kg (1380 lb.)	995 kg (2194 lb.)	1697 kg (3741 lb.)	1822 kg (4017 lb.)	2319 kg (5113 lb.)	3000 kg (6613.86 lb.)
Shipping volume	1.5 m ³ (54.9 ft. ³)	2.1 m ³ (74 ft. ³)	3.3 m ³ (115 ft. ³)	3.7 m ³ (131 ft. ³)	4.4 m ³ (162 ft. ³)	6.17 m ³ (217.89 ft. ³)
Wash Cylinder Information						
Cylinder diameter	750 mm (29.5 in.)	850 mm (33.5 in.)	980 mm (38.6 in.)	980 mm (38.6 in.)	1095 mm (43.1 in.)	1095 mm (43.1 in.)
Cylinder depth	530 mm (20.9 in.)	537 mm (21.1 in.)	597 mm (23.5 in.)	775 mm (30.5 in.)	775 mm (30.5 in.)	957 mm (37.68 in.)
Cylinder volume	234 l (8.27 ft. ³)	305 l (10.76 ft. ³)	451 l (15.92 ft. ³)	585 l (20.66 ft. ³)	730 l (25.8 ft. ³)	930 l (31.748 ft. ³)
Perforation size	3 mm (0.1 in.)	3 mm (0.1 in.)	3 mm (0.1 in.)	3 mm (0.1 in.)	3 mm (0.1 in.)	3 mm (0.1 in.)
Door Opening Information						
Door opening size	395 mm (15.6 in.)	395 mm (15.6 in.)	500 mm (19.7 in.)	500 mm (19.7 in.)	622 mm (24.5 in.)	622 mm (24.5 in.)
Height of door bottom above floor	559 mm (22 in.)	559 mm (22 in.)	648 mm (25.5 in.)	648 mm (25.5 in.)	710 mm (28 in.)	603 mm (23.74 in.)

(continued)

Basic Installation/Operation

(continued)

General Specifications						
Model	55	75	100	135	165	200
Drive Train Information						
Number of motors in drive train	1	1	1	1	1	1
Drive motor power	3 kW (4 HP)	4 kW (5.4 HP)	5.5 kW (7.4 HP)	7.5 kW (10 HP)	11.5 kW (15 HP)	15 kW (20 HP)
Cylinder Speeds						
Wash/reverse speed	10-50 RPM	10-50 RPM	10-50 RPM	10-50 RPM	10-50 RPM	10-50 RPM
Distribution/drain speed	69 RPM	65 RPM	61 RPM	61 RPM	100 RPM	80 RPM
Extract speed	250-1000 RPM	250-1000 RPM	250-800 RPM	250-800 RPM	250-750 RPM	250-750 RPM
Centrifugal Force Data						
Wash/reverse centrifugal force	0.04-1.05 Gs	0.05-1.19 Gs	0.06-1.37 Gs	0.06-1.37 Gs	0.06-1.52 Gs	0.06-1.52 Gs
Extract centrifugal force	26-418 Gs	30-475 Gs	34-350 Gs	34-350 Gs	34-344 Gs	34-342 Gs
Balance Detection						
Vibration safety switch installed	Standard	Standard	Standard	Standard	Standard	Standard
Direct Steam Heating (Optional)						
Steam inlet connection size	10 mm (0.38 in.)	10 mm (0.38 in.)	10 mm (0.38 in.)	10 mm (0.38 in.)	10 mm (0.38 in.)	19 mm (0.75 in.)
Number of steam inlets	1	1	1	1	1	1
Electrical Heating (Optional)						
Total electrical heating capacity	18 kW	18 kW	27 kW	27 kW	N/A	36 kW
Electrical heating elements	6	6	9	9	N/A	9
Electrical heat element size	3 kW	3 kW	3 kW	3 kW	N/A	4 kW



18 AND 25 POUND CAPACITY MODELS WITH U IN THE 8TH POSITION (E.G. *X18PVXU6)

- | | | | |
|---|-----------------------------|----|-----------------------------------|
| 1 | Fill and Supply Ventilation | 6 | External Liquid Supply Inlets |
| 2 | Cold Water Inlet (Required) | 7 | Electrical Power Input |
| 3 | Hot Water Inlet (Required) | 8 | External Supply Signal Input |
| 4 | Cold Water Inlet (Required) | 9 | Drain Outlet |
| 5 | Flushing Supply Dispenser | 10 | Steam Connection Input (Optional) |

Figure 1

Basic Installation/Operation

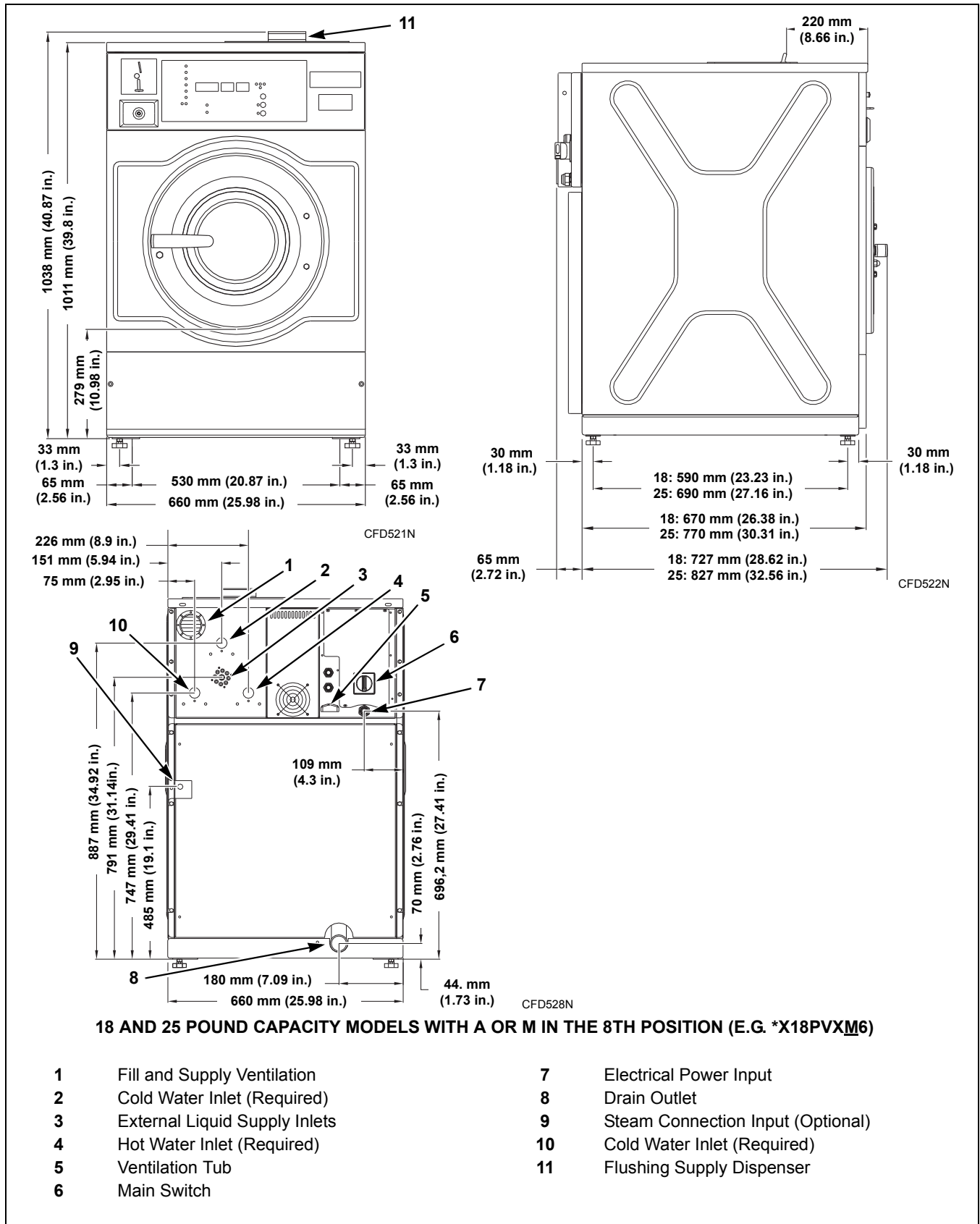


Figure 2

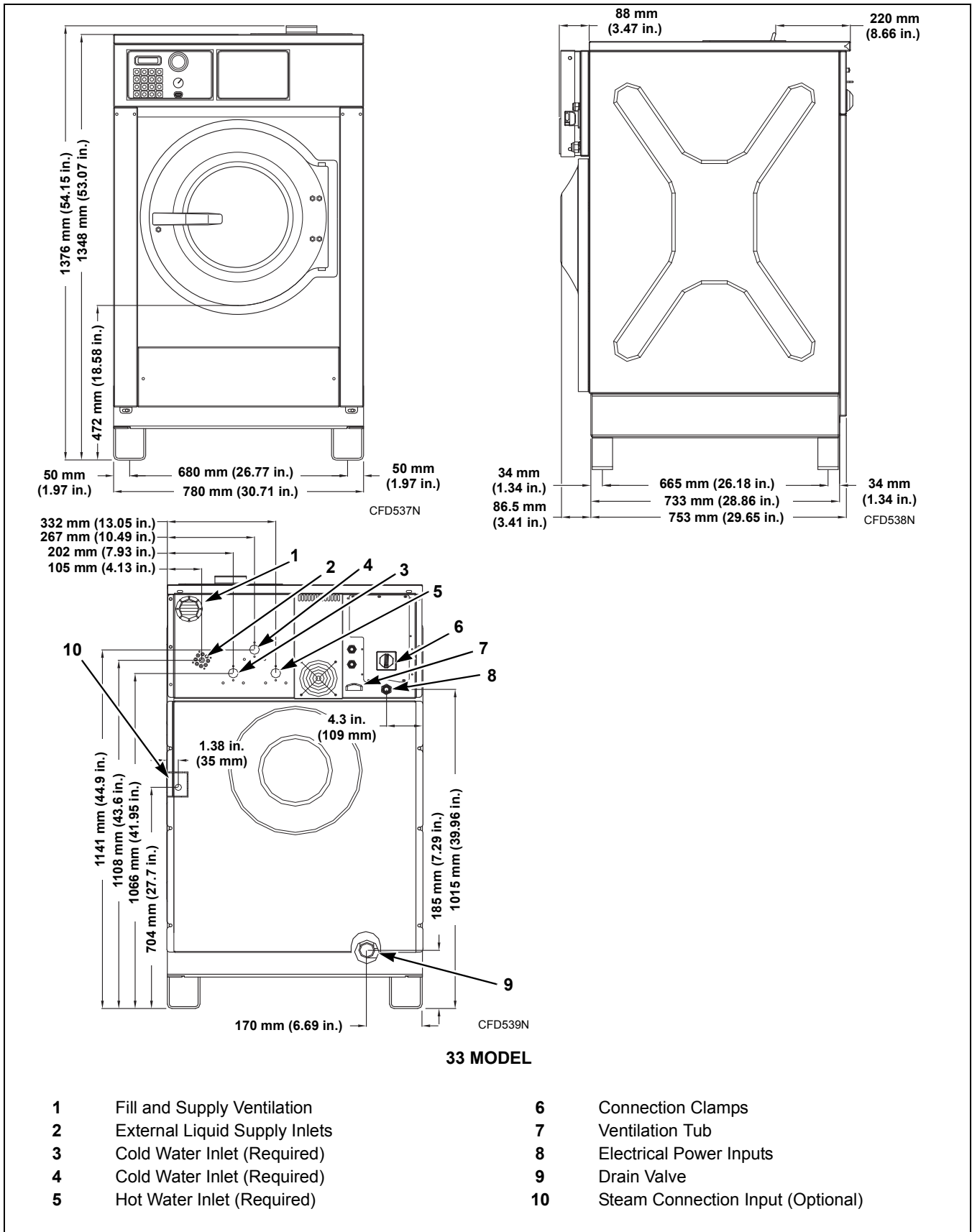


Figure 3

Basic Installation/Operation

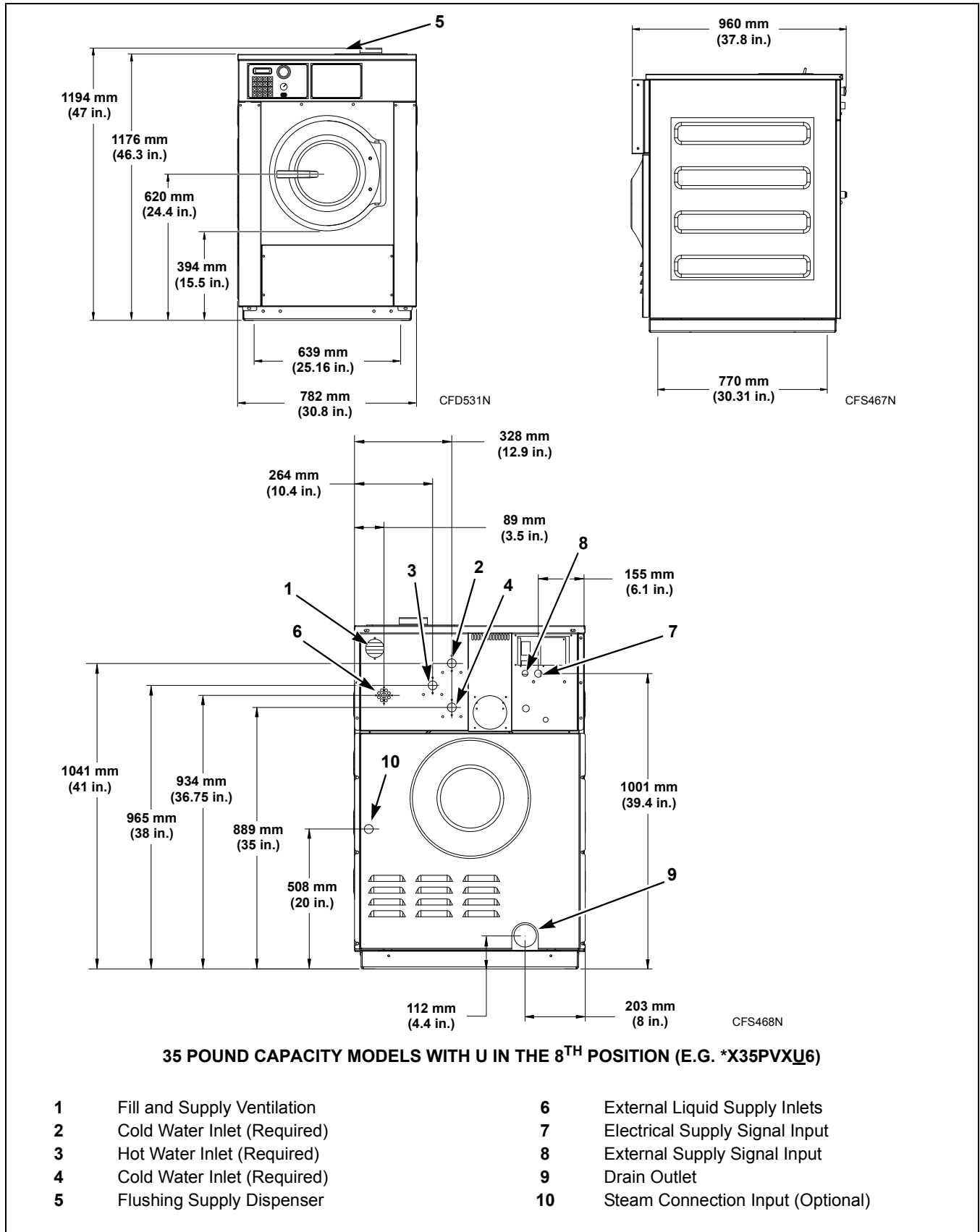


Figure 4

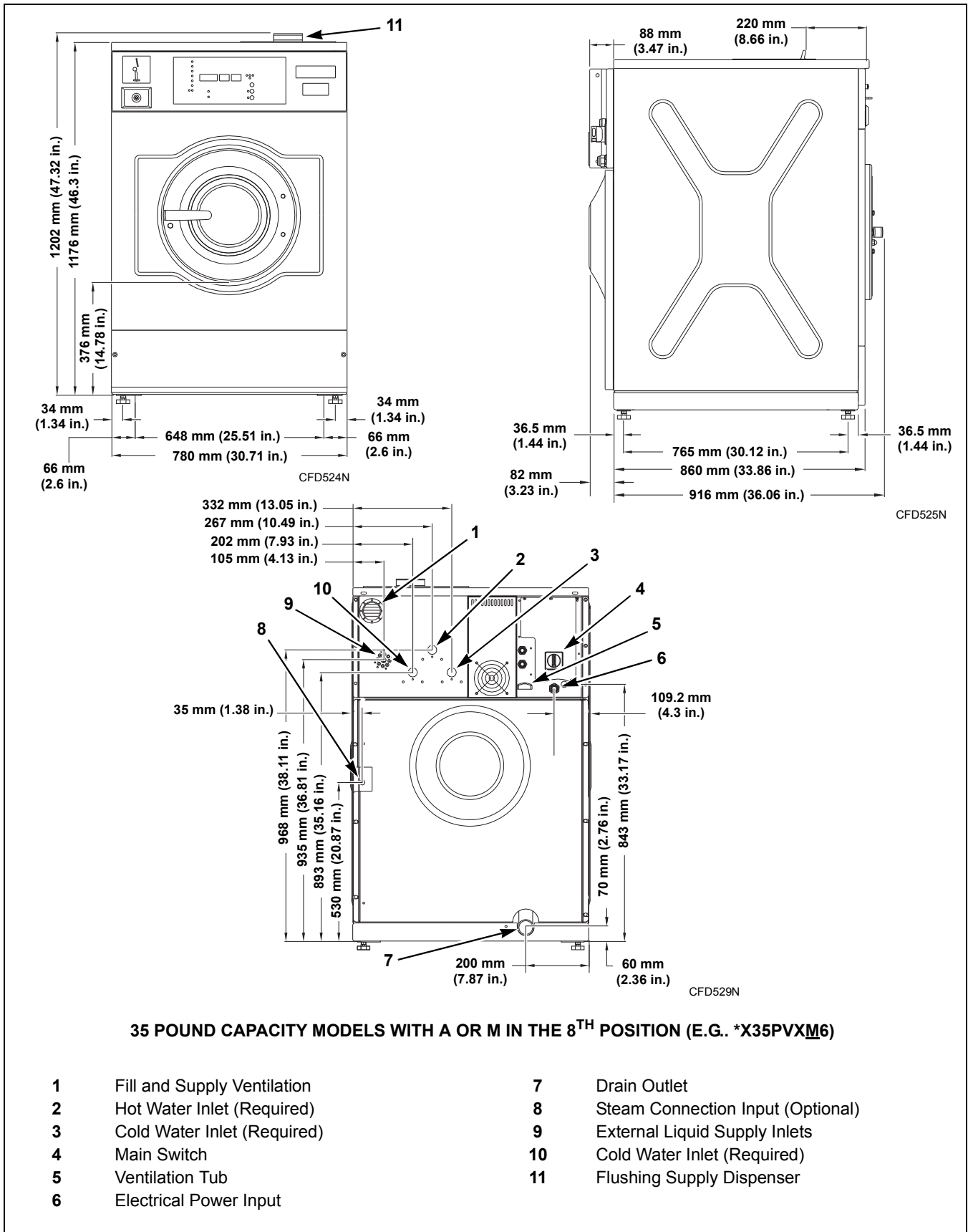


Figure 5

Basic Installation/Operation

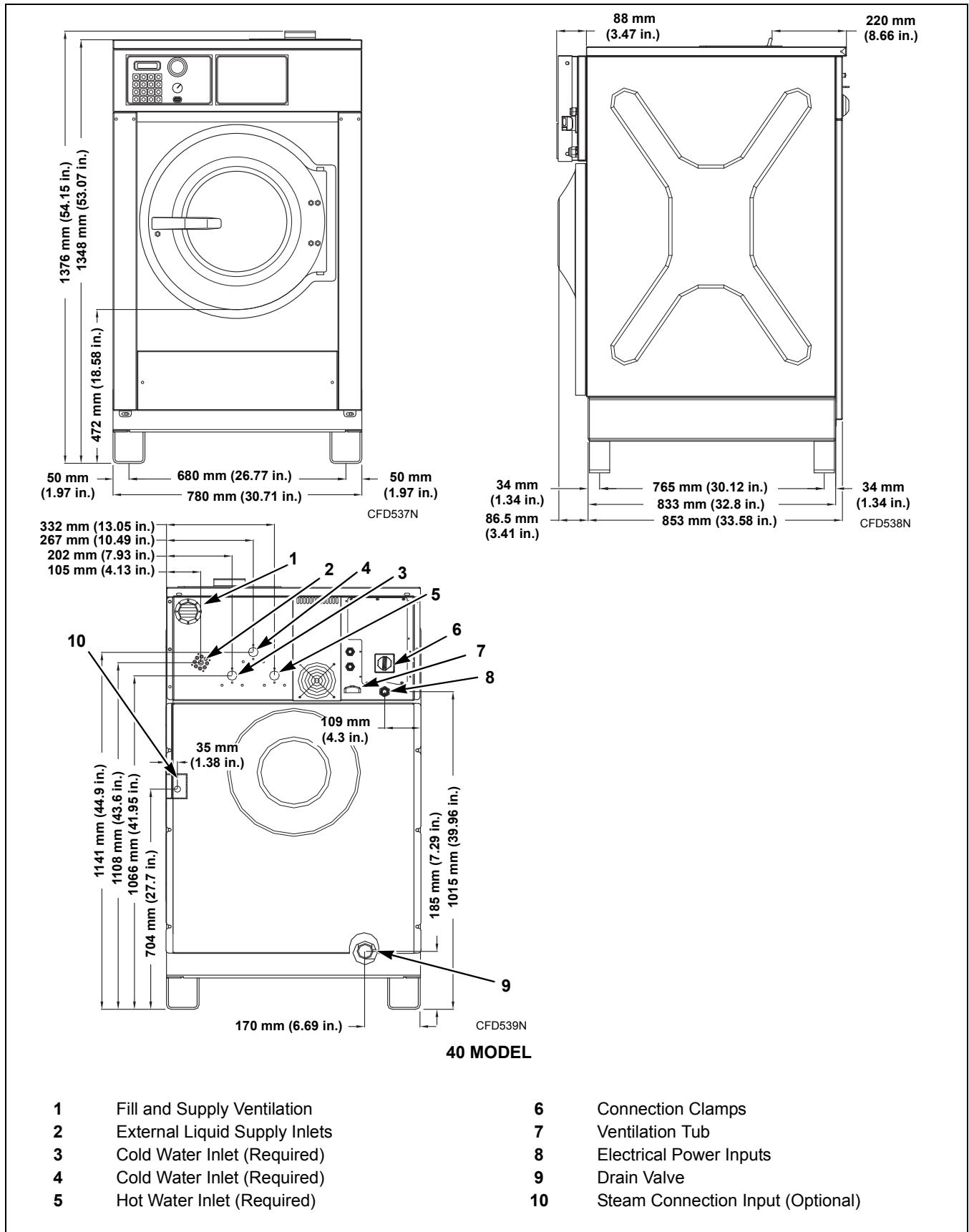


Figure 6

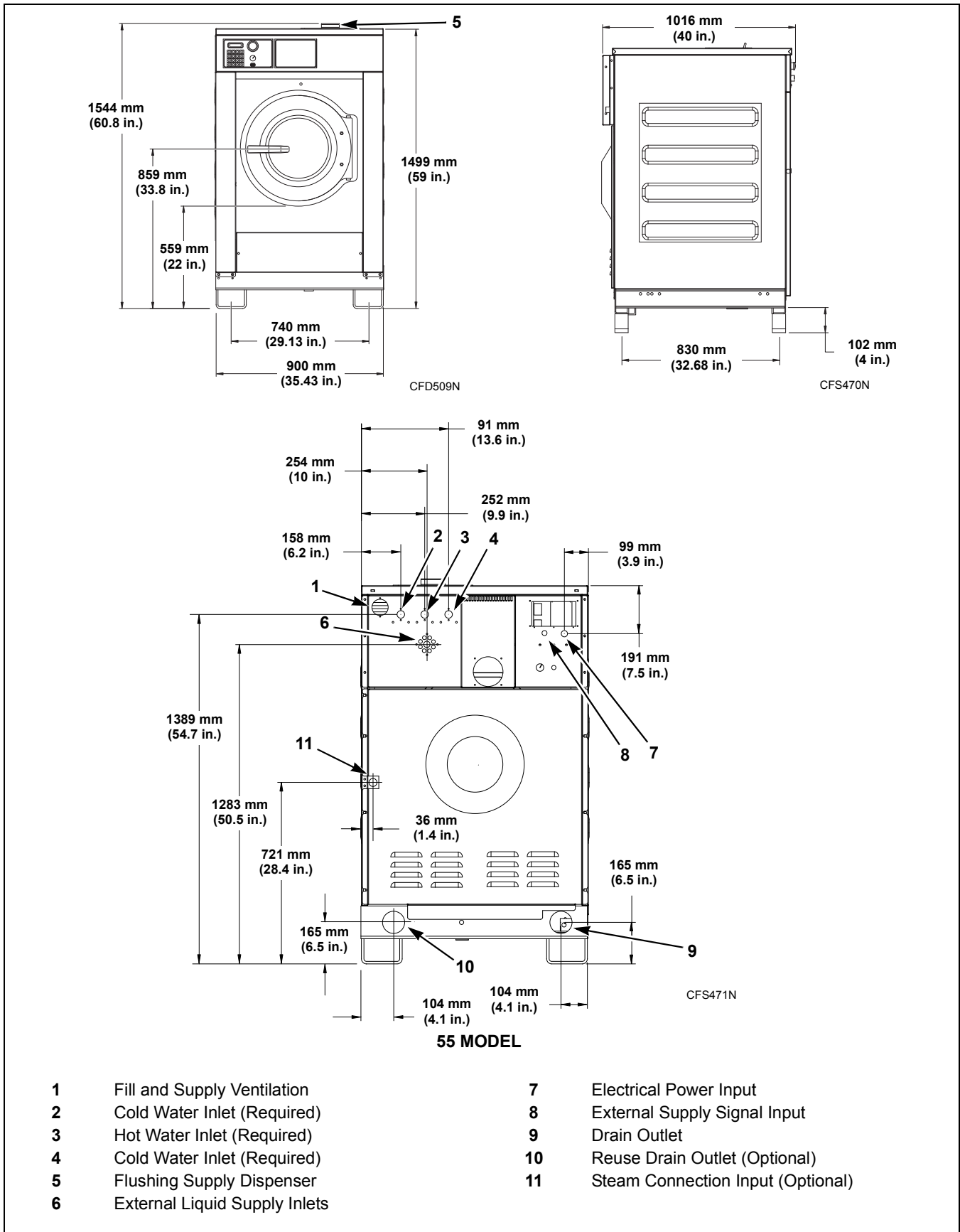


Figure 7

Basic Installation/Operation

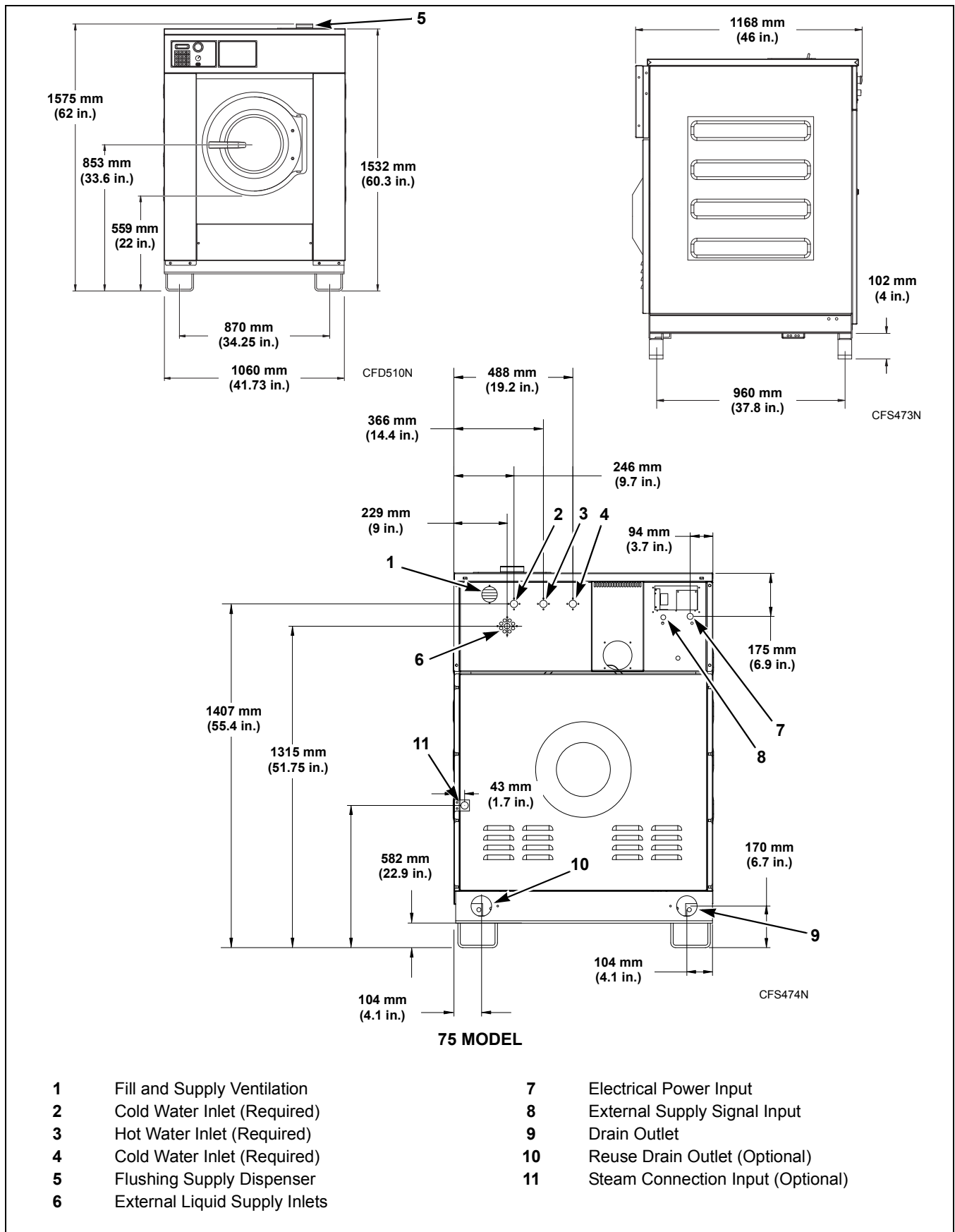


Figure 8

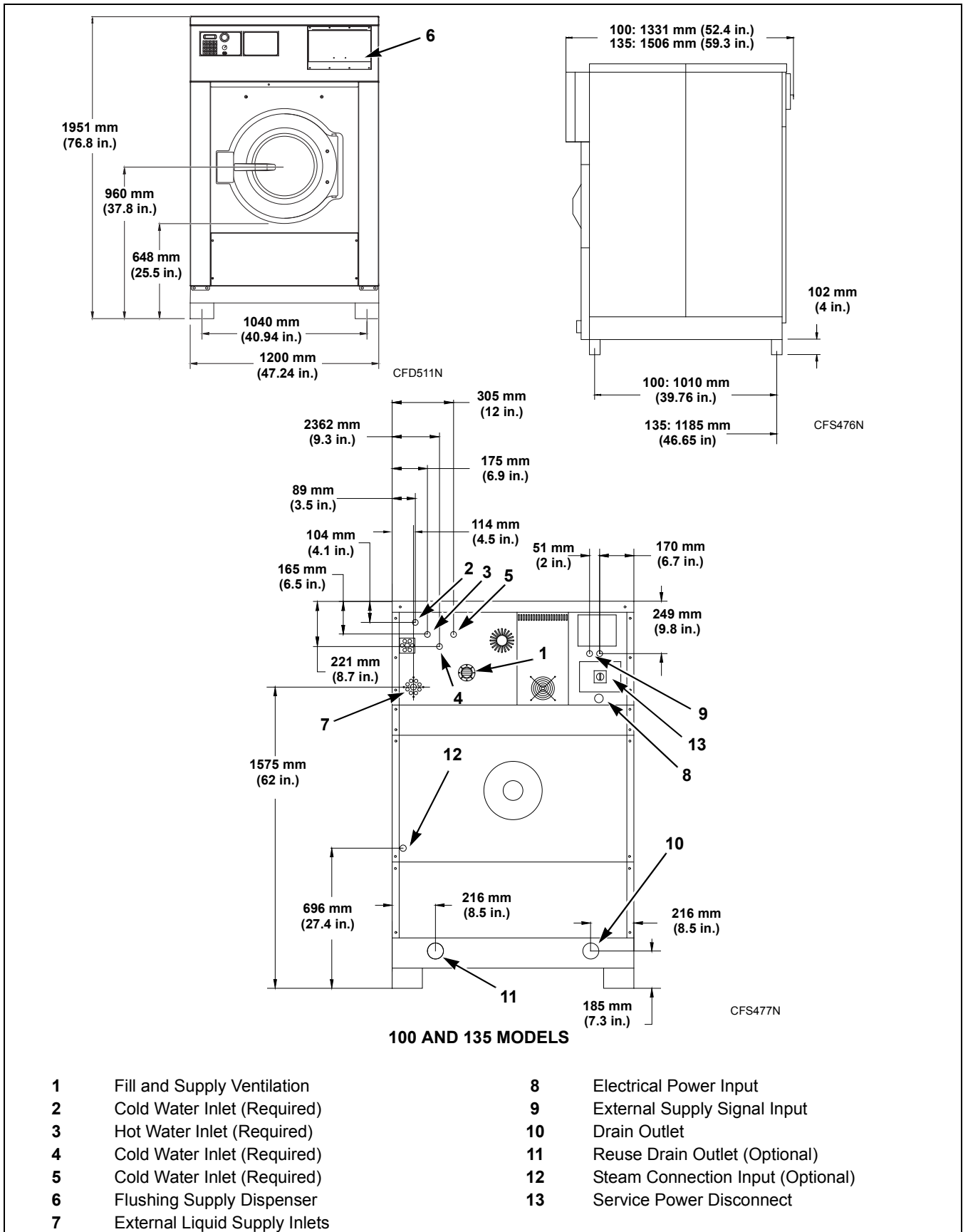


Figure 9

Basic Installation/Operation

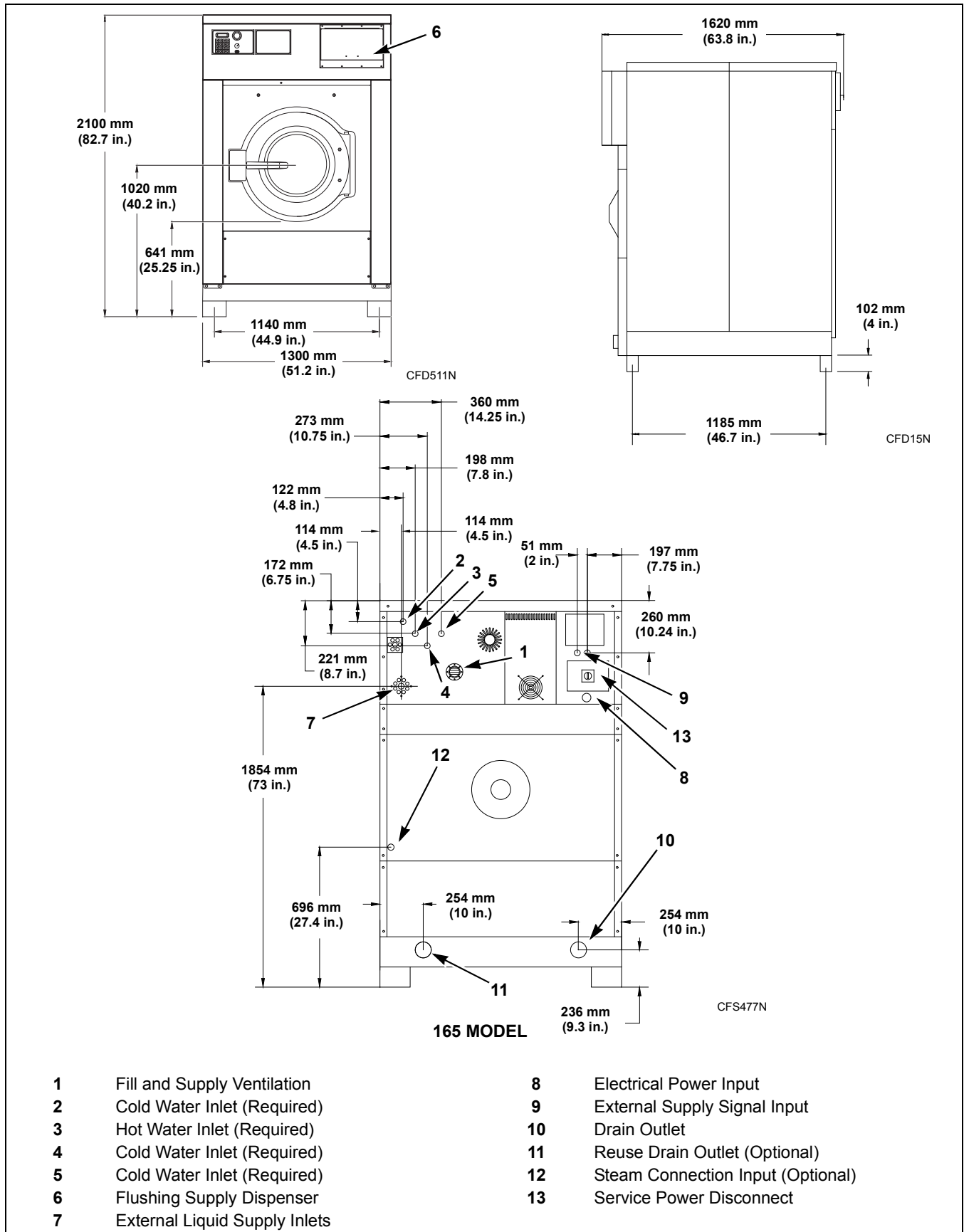


Figure 10

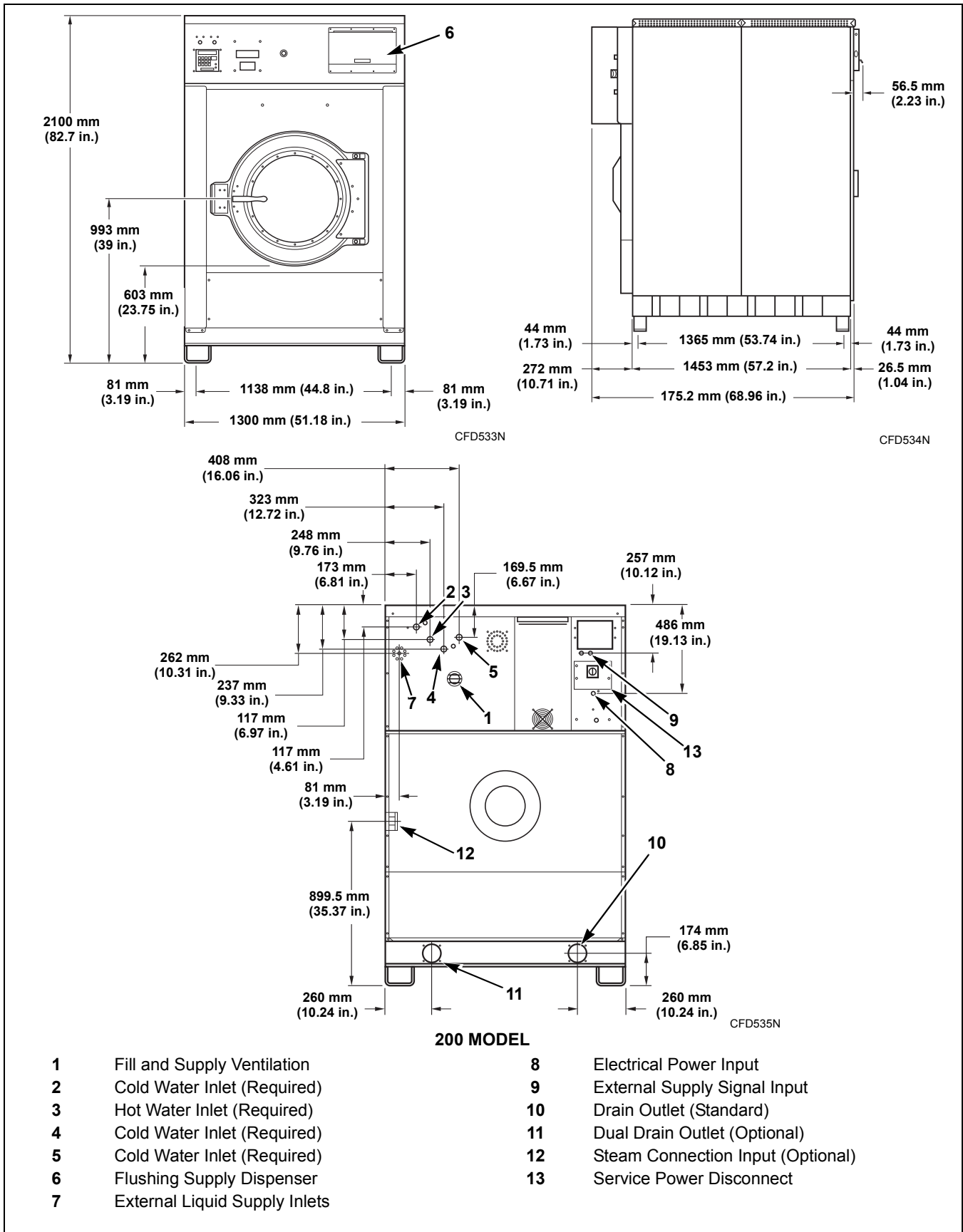


Figure 11

Installation

Dimensional Clearances

Table 1 shows recommended minimum clearances on all sides of the washer-extractor.

Recommended Minimum Clearances											
Model	18	25	33	35	40	55	75	100	135	165	200
Minimum rear clearance	600 mm (24 in.)	600 mm (24 in.)	600 mm (24 in.)	600 mm (24 in.)	600 mm (24 in.)	600 mm (24 in.)	600 mm (24 in.)	600 mm (24 in.)	600 mm (24 in.)	600 mm (24 in.)	600 mm (24 in.)
Minimum clearance between machine and wall	150 mm (6 in.)	150 mm (6 in.)	150 mm (6 in.)	150 mm (6 in.)	150 mm (6 in.)	150 mm (6 in.)	150 mm (6 in.)	150 mm (6 in.)	150 mm (6 in.)	150 mm (6 in.)	150 mm (6 in.)
Minimum clearance between machines (side)	25.4 mm (1 in.)	25.4 mm (1 in.)	30 mm (1.2 in.)	25.4 mm (1 in.)	30 mm (1.2 in.)	30 mm (1.2 in.)	30 mm (1.2 in.)	30 mm (1.2 in.)	30 mm (1.2 in.)	30 mm (1.2 in.)	30 mm (1.2 in.)
Minimum front clearance (door swing)	419 mm (16.5 in.)	419 mm (16.5 in.)	533 mm (21 in.)	419 mm (16.5 in.)	533 mm (21 in.)	533 mm (21 in.)	533 mm (21 in.)	660 mm (26 in.)	660 mm (26 in.)	660 mm (26 in.)	660 mm (26 in.)

Table 1

Machine Foundation


Thoroughness of detail must be stressed with all foundation work to ensure a stable unit installation, eliminating possibilities of excessive vibration during extract.

The washer-extractor must be placed on a smooth level surface so that the entire base of the machine is supported and rests on the mounting surface.

The standard installation does not require anchoring unless mandated by state or local codes.

Static and dynamic loads on the floor or foundation are shown in *Table 2*.

Table 2 can be used as a reference when designing floors and foundations.

	CAUTION
<p>Ensure that the machine is installed on a level floor of sufficient strength and that the recommended clearances for inspection and maintenance are provided. Never allow the inspection and maintenance space to be blocked.</p>	
<small>W488</small>	

Floor Load Data											
Model	18	25	33	35	40	55	75	100	135	165	200
Kinetic Energy of the Cylinder, (N/m)	1386	1730	2736	3240	4105	6640	12404	18361	23257	29581	29581
Dynamic Bottom Load, (N/Hz)	700/16	750/16	1200/16	1200/16	1200/16	1700/15	2000/15	2960/13	3900/13	4960/13	6100/13

Table 2

Mechanical Installation

Frame Dimensions and Mounting Bolt Location for 18, 25, 33, 35, 40, 55, 75, 100, 135, 165 and 200 Models

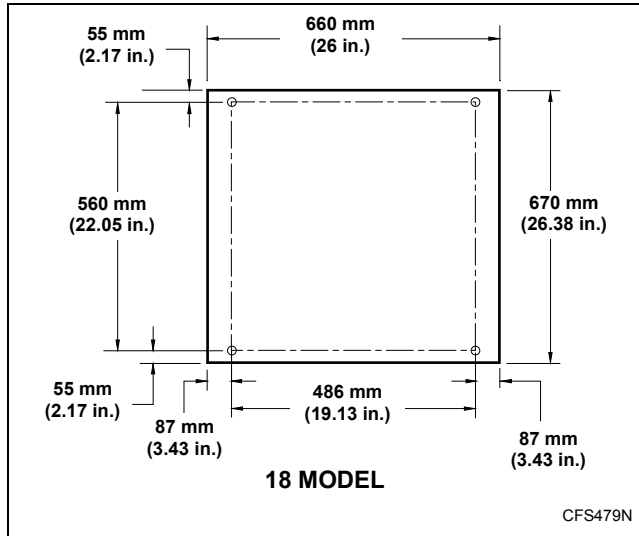


Figure 12

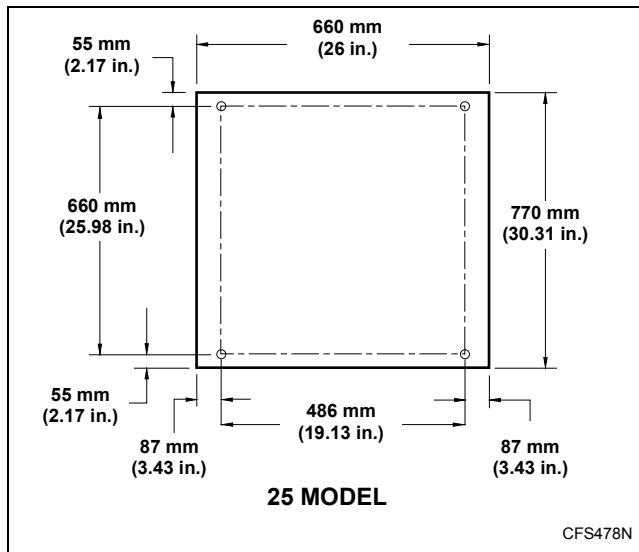


Figure 13

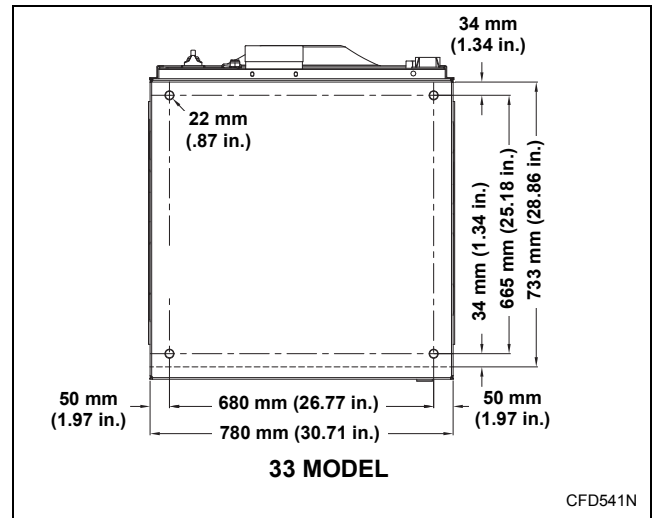


Figure 14

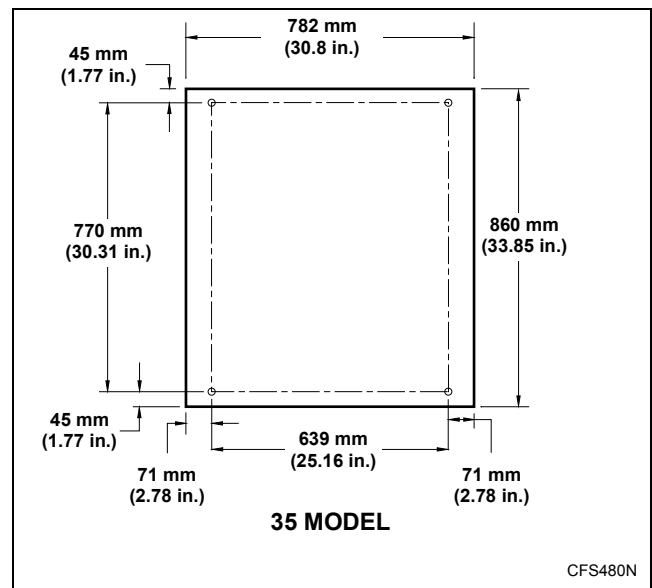


Figure 15

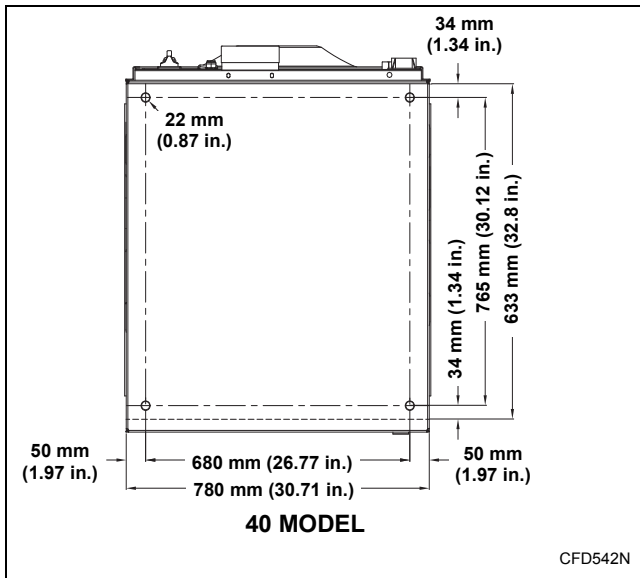


Figure 16

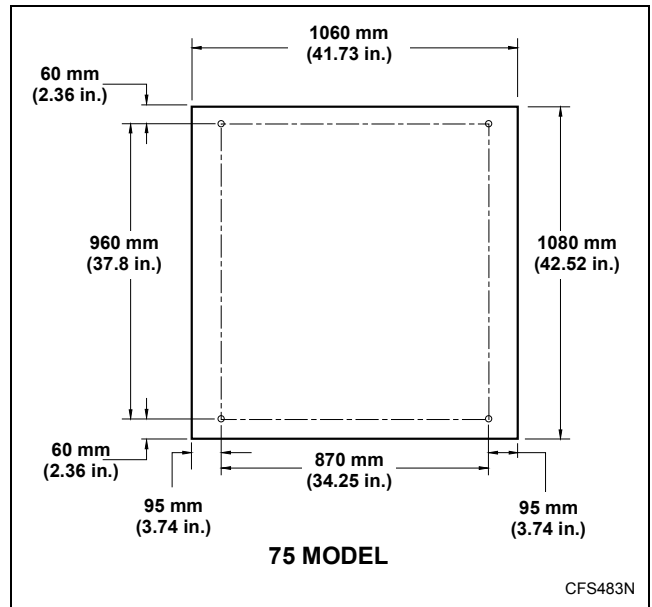


Figure 18

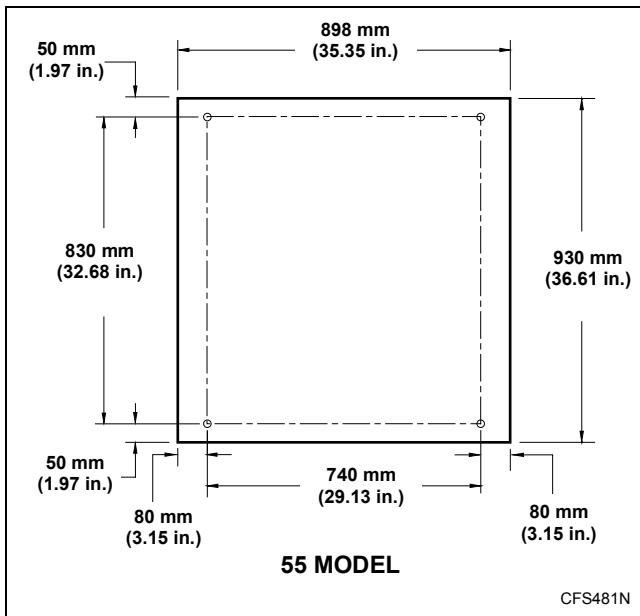


Figure 17

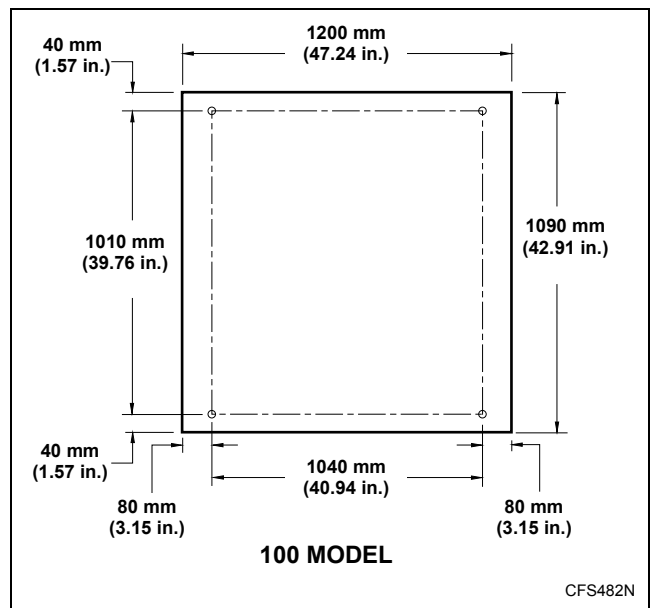


Figure 19

Basic Installation/Operation

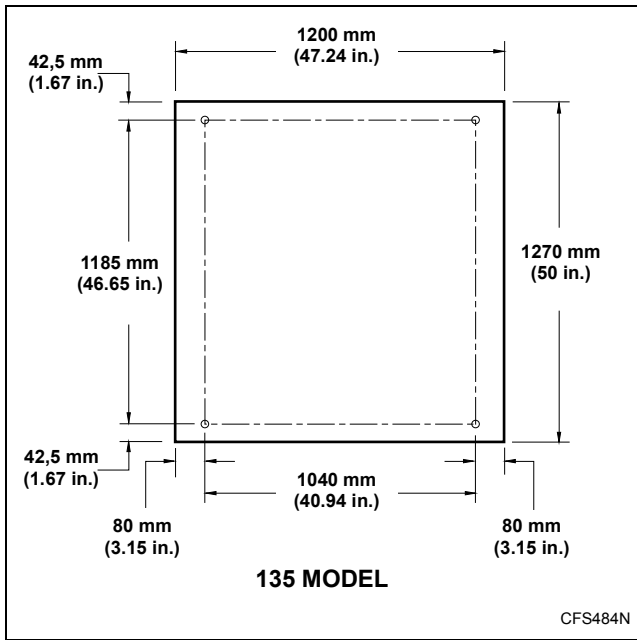


Figure 20

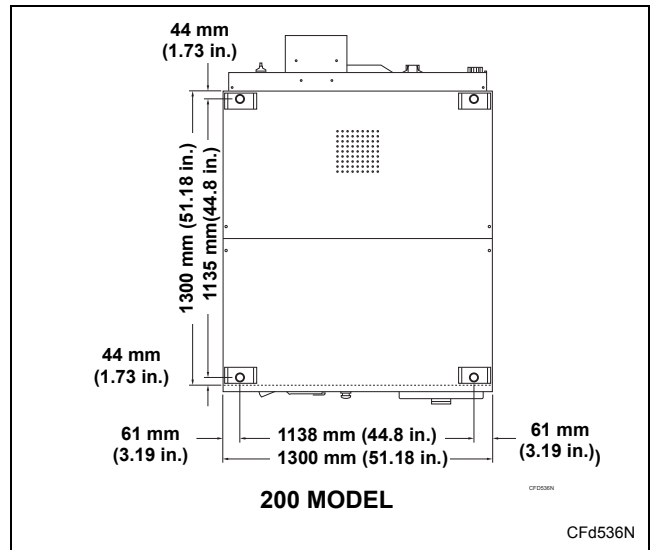


Figure 22

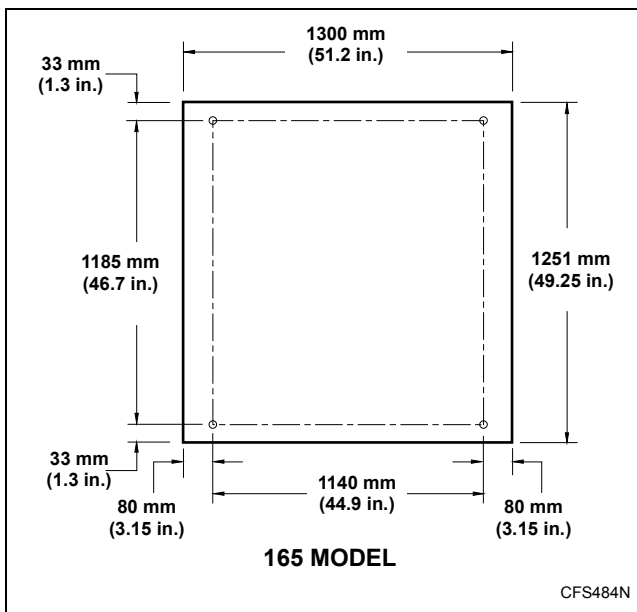


Figure 21

Mounting Bolt Installation (If Required)

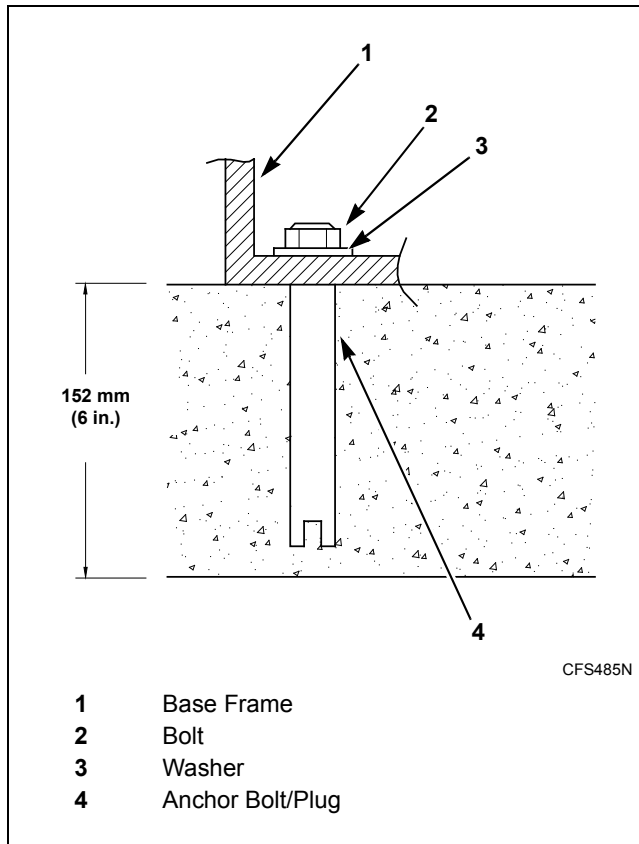


Figure 23

After the concrete has cured and the anchors are installed, proceed as follows:

1. Place the washer-extractor adjacent to the foundation. Do not attempt to move it by pushing on the sides. Always insert a pry bar or other device under the bottom of the frame of the washer-extractor to move it.
2. Place the washer-extractor carefully over the anchors.
3. Put bolts through the machine in the anchors and fasten them. (For the 18-25 and 35 models, the diameter of the bolt must be minimum 1/2-13 or 12 mm; for the 33-40-55-75-100-135-165 and 200 models, the diameter of the bolt must be minimum 5/8-11 or 16 mm.)
4. To level machine, fill the spaces between the machine base and floor with machinery grout. Grout completely under all frame members. Remove front and rear panels to gain access to all frame members. Force grout under the machine base until all voids are filled.
5. Remove the spacers carefully, allowing the machine to settle into the wet grout.
6. Position washers and locknuts on machinery anchor bolts and finger-tighten to machine base.
7. After the grout is completely dry, tighten the locknuts by even increments – one after the other – until all are tightened evenly and the machine is fastened securely to the floor.
8. Remove the four red transport brackets which secure the moving components of the machine during shipping. Refer to *Installation* manual for typical transport bracket locations.

Electrical Specifications

Electrical Specifications											
Model	Voltage Designation					Standard			Electric Heat		
	Code	Voltage	Cycle	Phase	Wire	Full Load Amps	Circuit Breaker	AWG /mm ²	Full Load Amps	Circuit Breaker	AWG /mm ²
18	N	440-480	50/60	3	3+PE	6	15	14/2.5	20	25	10/6.0
	P	380-415	50/60	3	3+N+PE	Not available			17	20	12/4.0
	Q	200-240	50/60	3	3+PE	Not available			28	30	10/6.0
	X	200-240	50/60	1/3	2/3+PE	10	15	14/2.5	Not available		
25	N	440-480	50/60	3	3+PE	6	15	14/2.5	21	25	10/6.0
	P	380-415	50/60	3	3+N+PE	Not available			18	20	12/4.0
	Q	200-240	50/60	3	3+PE	Not available			29	30	10/6.0
	X	200-240	50/60	1/3	2/3+PE	10	15	14/2.5	Not available		
33	N	440-480	50/60	3	3+PE	6	15	14/2.5	32	40	8/10.0
	P	380-415	50/60	3	3+N+PE	18	20	12/4.0	44	50	8/10.0
	Q	200-240	50/60	3	3+PE	18	20	12/4.0	63	70	4/25.0
	X	200-240	50/60	1/3	2/3+PE	18	20	12/4.0	Not available		
35	N	440-480	50/60	3	3+PE	12	15	14/2.5	41	50	8/10.0
	P	380-415	50/60	3	3+N+PE	Not available			36	40	8/10.0
	Q	200-240	50/60	3	3+PE	Not available			58	60	6/16.0
	X	200-240	50/60	1/3	2/3+PE	12	15	14/2.5	Not available		
40	N	440-480	50/60	3	3+PE	6	15	14/2.5	32	40	8/10.0
	P	380-415	50/60	3	3+N+PE	18	20	12/4.0	44	50	8/10.0
	Q	200-240	50/60	3	3+PE	18	20	12/4.0	63	70	4/25.0
	X	200-240	50/60	1/3	2/3+PE	18	20	12/4.0	Not available		
55	N	440-480	50/60	3	3+PE	12	15	14/2.5	41	50	8/10.0
	P	380-415	50/60	3	3+N+PE	Not available			36	40	8/10.0
	Q	200-240	50/60	3	3+PE	Not available			58	60	6/16.0
	X	200-240	50/60	1/3	2/3+PE	16	20	14/2.5	Not available		
75	N	440-480	50/60	3	3+PE	12	15	14/2.5	41	50	8/10.0
	P	380-415	50/60	3	3+N+PE	12	15	14/2.5	36	40	8/10.0
	Q	200-240	50/60	3	3+PE	15	20	12/4.0	58	60	6/16.0
100	N	440-480	50/60	3	3+PE	17	20	12/4.0	62	70	4/25.0
	P	380-415	50/60	3	3+N+PE	17	20	12/4.0	55	60	6/16.0
	Q	200-240	50/60	3	3+PE	18	25	10/6.0	88	90	3/35.0
135	N	440-480	50/60	3	3+PE	17	25	10/6.0	62	70	4/25.0
	P	380-415	50/60	3	3+N+PE	17	25	10/6.0	55	60	6/16.0
	Q	200-240	50/60	3	3+PE	20	30	10/6.0	88	90	3/35.0
165	N	440-480	50/60	3	3+PE	20	25	10/6.0	Not available		
	P	380-415	50/60	3	3+N+PE	20	25	10/6.0	Not available		
	Q	200-240	50/60	3	3+PE	32	40	8/10.0	Not available		

Table 3 (continued)

Table 3 (continued)

Electrical Specifications											
Voltage Designation						Standard			Electric Heat		
Model	Code	Voltage	Cycle	Phase	Wire	Full Load Amps	Circuit Breaker	AWG /mm ²	Full Load Amps	Circuit Breaker	AWG /mm ²
200	N	440-480	50/60	3	3+PE	19	25	10/6.0	Not available		
	P	380-415	50/60	3	3+N+PE	18	25	10/6.0	Not available		
	Q	200-240	50/60	3	3+PE	27	40	8/10.0	Not available		

Table 3

Operation

Control Identification

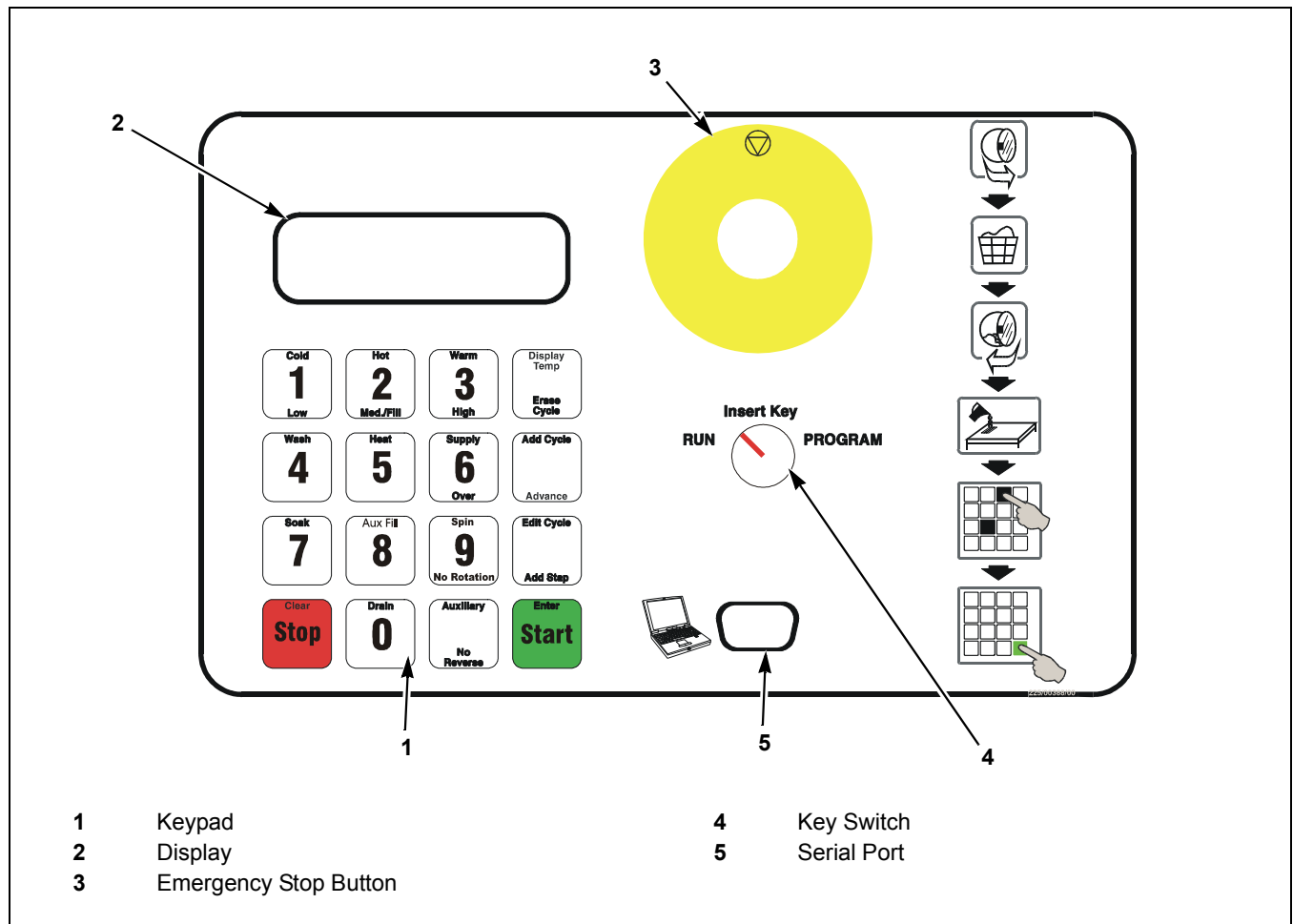


Figure 24

Load the Machine

For models: 18PV-75PV

1. Pull the door handle towards you to open the door.

NOTE: Some models may have a door handle with a button that must be pressed.

2. Load the drum to the specified capacity.
3. Close the door by pushing the door handle towards the machine.

For models: 100PV-200PV

1. Push on the doorlock system to open the door.
2. Load the drum to the specified capacity.
3. Close the door by pushing the door handle towards the machine.

Disposal of Unit

This appliance is marked according to the European directive 2002/96/EC on Waste Electrical and Electronic Equipment (WEEE).

This symbol on the product or on its packaging indicates that this product shall not be treated as household waste. Refer to *Figure 25*. Instead it shall be handed over to the applicable collection point for the recycling of electrical and electronic equipment. Ensuring this product is disposed of correctly will help prevent potential negative consequences for the environment and human health which could otherwise be caused by inappropriate waste handling of this product. The recycling of materials will help to conserve natural resources. For more detailed information about recycling of this product, please contact the local city office, household waste disposal service, or the source from which the product was purchased.

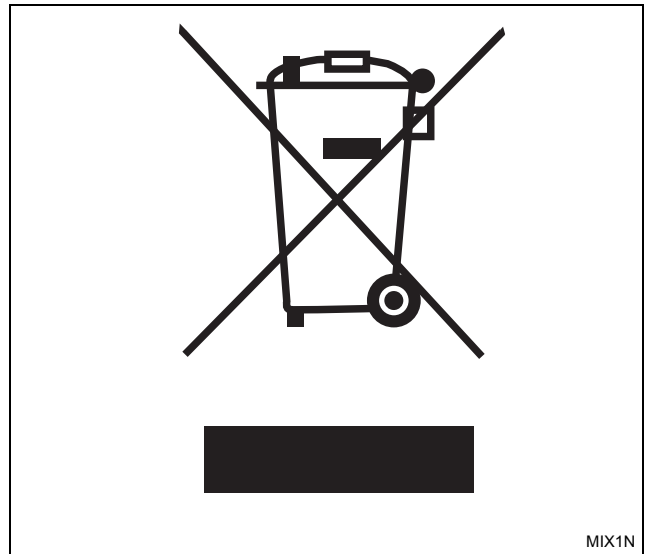


Figure 25

Free Manuals Download Website

<http://myh66.com>

<http://usermanuals.us>

<http://www.somanuals.com>

<http://www.4manuals.cc>

<http://www.manual-lib.com>

<http://www.404manual.com>

<http://www.luxmanual.com>

<http://aubethermostatmanual.com>

Golf course search by state

<http://golfingnear.com>

Email search by domain

<http://emailbydomain.com>

Auto manuals search

<http://auto.somanuals.com>

TV manuals search

<http://tv.somanuals.com>