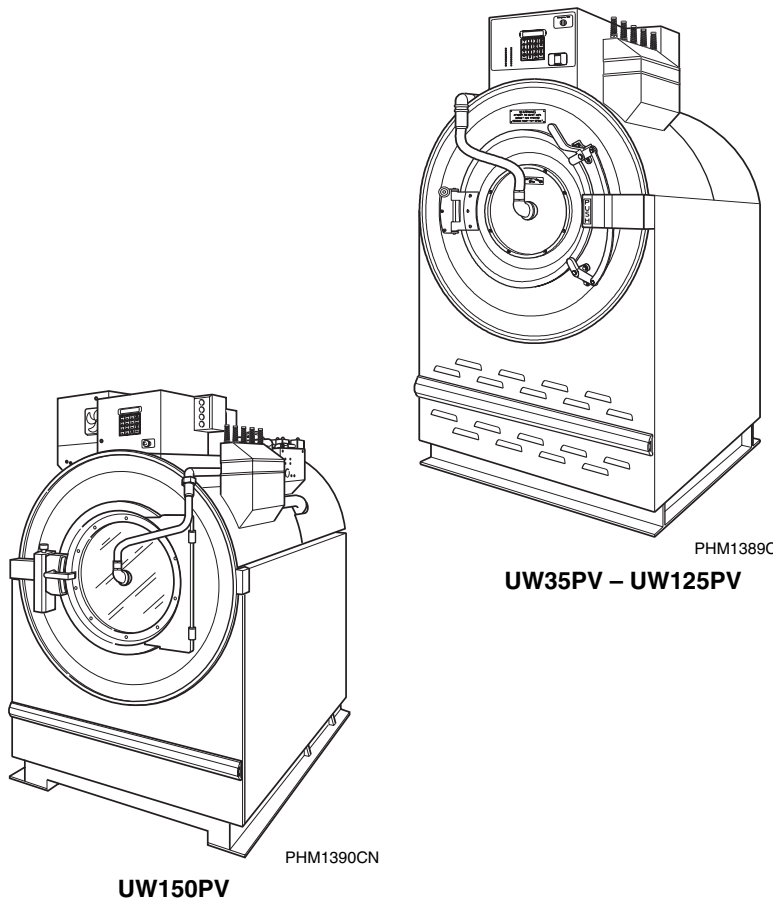


# Washer-Extractors

Pocket Hardmount  
Variable-Speed  
WE-6 Control

Refer to Page 6 for Model Numbers

Installation



Para bajar una copia de estas instrucciones en español, visite [www.comlaundry.com](http://www.comlaundry.com).

**Keep These Instructions for Future Reference.**

(If this machine changes ownership, this manual must accompany machine.)

  
**Alliance**  
Laundry Systems

[www.comlaundry.com](http://www.comlaundry.com)

Part No. F232084R16  
May 2008



# Table of Contents

<b>Safety Information</b> .....	2
Explanation of Safety Messages.....	2
Important Safety Instructions .....	2
Safety Decals .....	4
Operator Safety .....	5
<b>Introduction</b> .....	6
Model Identification .....	6
Delivery Inspection.....	6
Nameplate Location.....	6
Replacement Parts .....	6
Customer Service.....	6
<b>Specifications and Dimensions</b> .....	8
Machine Dimensions .....	11
Machine Foundation Requirements.....	14
Concrete Foundation Pad Installation.....	15
Floor Load Data .....	17
Mounting Bolt Installation Requirements (Approved Foundations Only).....	18
Machine Mounting and Grouting.....	19
Mounting Bolt Hole Locations .....	20
Grout Placement .....	25
Drain Connection Requirements.....	26
For UW125PV and UW150PV Models Only.....	27
Water Connection .....	29
Electrical Installation Requirements.....	31
Steam Requirements (Steam Heat Option Only).....	34
Chemical Injection Supply System.....	35
Designs 1-4 .....	39
Premium Wet Clean Module .....	41


© Copyright 2008, Alliance Laundry Systems LLC


All rights reserved. No part of the contents of this book may be reproduced or transmitted in any form or by any means without the expressed written consent of the publisher.


# Safety Information

## Explanation of Safety Messages

Precautionary statements (“DANGER,” “WARNING,” and “CAUTION”), followed by specific instructions, are found in this manual and on machine decals. These precautions are intended for the personal safety of the operator, user, servicer, and those maintaining the machine.

	<b>DANGER</b>
<b>DANGER indicates the presence of a hazard that will cause severe personal injury, death, or substantial property damage if the danger is ignored.</b>	

	<b>WARNING</b>
<b>WARNING indicates the presence of a hazard that can cause severe personal injury, death, or substantial property damage if the warning is ignored.</b>	


	<b>CAUTION</b>
<b>CAUTION indicates the presence of a hazard that will or can cause minor personal injury or property damage if the caution is ignored.</b>	

Additional precautionary statements (“IMPORTANT” and “NOTE”) are followed by specific instructions.

**IMPORTANT:** The word “IMPORTANT” is used to inform the reader of specific procedures where minor machine damage will occur if the procedure is not followed.

**NOTE:** The word “NOTE” is used to communicate installation, operation, maintenance or servicing information that is important but not hazard related.

## Important Safety Instructions


	<b>WARNING</b>
<b>To reduce the risk of fire, electric shock, serious injury or death to persons when using your washer, follow these basic precautions:</b>	
W023	

1. Read all instructions before using the washer.
2. Refer to the **GROUNDING INSTRUCTIONS** in the **INSTALLATION** manual for the proper grounding of the washer.
3. Do not wash textiles that have been previously cleaned in, washed in, soaked in, or spotted with gasoline, kerosene, waxes, cooking oils, dry-cleaning solvents, or other flammable or explosive substances as they give off vapors that could ignite or explode.
4. Do not add gasoline, dry-cleaning solvents, or other flammable or explosive substances to the wash water. These substances give off vapors that could ignite or explode.
5. Under certain conditions, hydrogen gas may be produced in a hot water system that has not been used for two weeks or more. **HYDROGEN GAS IS EXPLOSIVE.** If the hot water system has not been used for such a period, before using a washing machine or combination washer-dryer, turn on all hot water faucets and let the water flow from each for several minutes. This will release any accumulated hydrogen gas. The gas is flammable, do not smoke or use an open flame during this time.
6. Do not allow children to play on or in the washer. Close supervision of children is necessary when the washer is used near children. This is a safety rule for all appliances.
7. Before the washer is removed from service or discarded, remove the door to the washing compartment.
8. Do not reach into the washer if the wash drum is moving.


9. Do not install or store the washer where it will be exposed to water and/or weather.
10. Do not tamper with the controls.
11. Do not repair or replace any part of the washer, or attempt any servicing unless specifically recommended in the user-maintenance instructions or in published user-repair instructions that the user understands and has the skills to carry out.
12. To reduce the risk of an electric shock or fire, DO NOT use an extension cord or an adapter to connect the washer to the electrical power source.
13. Use washer only for its intended purpose, washing textiles.
14. Never wash machine parts or automotive parts in the machine. This could result in serious damage to the basket.
15. ALWAYS disconnect the washer from electrical supply before attempting any service. Disconnect the power cord by grasping the plug, not the cord.
16. Install the washer according to the INSTALLATION INSTRUCTIONS. All connections for water, drain, electrical power and grounding must comply with local codes and be made by licensed personnel when required.
17. To reduce the risk of fire, textiles which have traces of any flammable substances such as vegetable oil, cooking oil, machine oil, flammable chemicals, thinner, etc., or anything containing wax or chemicals such as in mops and cleaning cloths, must not be put into the washer. These flammable substances may cause the fabric to catch on fire by itself.
18. Do not use fabric softeners or products to eliminate static unless recommended by the manufacturer of the fabric softener or product.
19. Keep washer in good condition. Bumping or dropping the washer can damage safety features. If this occurs, have washer checked by a qualified service person.
20. If the supply cord is damaged, it must be replaced by a special cord or assembly available from the manufacturer or its service agent.
21. Be sure water connections have a shut-off valve and that fill hose connections are tight. CLOSE the shut-off valves at the end of each wash day.
22. Loading door MUST BE CLOSED any time the washer is to fill, tumble or spin. DO NOT bypass the loading door switch by permitting the washer to operate with the loading door open.
23. Always read and follow manufacturer's instructions on packages of laundry and cleaning aids. Heed all warnings or precautions. To reduce the risk of poisoning or chemical burns, keep them out of the reach of children at all times (preferably in a locked cabinet).
24. Always follow the fabric care instructions supplied by the textile manufacturer.
25. Never operate the washer with any guards and/or panels removed.
26. DO NOT operate the washer with missing or broken parts.
27. DO NOT bypass any safety devices.
28. Failure to install, maintain, and/or operate this washer according to the manufacturer's instructions may result in conditions which can produce bodily injury and/or property damage.


**NOTE: The WARNINGS and IMPORTANT SAFETY INSTRUCTIONS appearing in this manual are not meant to cover all possible conditions and situations that may occur. Common sense, caution and care must be exercised when installing, maintaining, or operating the washer.**


Any problems or conditions not understood should be reported to the dealer, distributor, service agent or the manufacturer.

	<b>WARNING</b>
<p><b>This machine must be installed, adjusted, and serviced by qualified electrical maintenance personnel familiar with the construction and operation of this type of machinery. They must also be familiar with the potential hazards involved. Failure to observe this warning may result in personal injury and/or equipment damage, and may void the warranty.</b></p>	
<small>SW004</small>	

**IMPORTANT:** Ensure that the recommended clearances for inspection and maintenance are provided. Never allow the inspection and maintenance space to be blocked.

	<b>CAUTION</b>
<p><b>Install the machine on a level floor of sufficient strength. Failure to do so may result in conditions which can produce serious injury, death and/or property damage.</b></p>	
<small>W703</small>	

	<b>CAUTION</b>
<p><b>Be careful around the open door, particularly when loading from a level below the door. Impact with door edges can cause personal injury.</b></p>	
<small>SW025</small>	

	<b>WARNING</b>
<p><b>Never touch internal or external steam pipes, connections, or components. These surfaces can be extremely hot and will cause severe burns. The steam must be turned off and the pipe, connections, and components allowed to cool before the pipe can be touched.</b></p>	
<small>SW014</small>	

## Safety Decals

Safety decals appear at crucial locations on the machine. Failure to maintain legible safety decals could result in injury to the operator or service technician.

To provide personal safety and keep the machine in proper working order, follow all maintenance and safety procedures presented in this manual. If questions regarding safety arise, contact the manufacturer immediately.

Use manufacturer-authorized spare parts to avoid safety hazards.

## Operator Safety


	<b>WARNING</b>
<p><b>NEVER insert hands or objects into basket until it has completely stopped. Doing so could result in serious injury.</b></p> <p style="text-align: right;"><small>SW012</small></p>	

To ensure the safety of machine operators, the following maintenance checks must be performed daily:

1. Prior to operating the machine, verify that all warning signs are present and legible. Missing or illegible signs must be replaced immediately. Make certain that spares are available.
2. Check door interlock before starting operation of the machine:
  - a. Attempt to start the machine with the door open. The machine should not start with the door open.
  - b. Close the door without locking it and attempt to start the machine. The machine should not start with the door unlocked.
  - c. Close and lock the door and start a cycle. Attempt to open the door while the cycle is in progress. The door should not open.

If the door lock and interlock are not functioning properly, call a service technician.
3. Do not attempt to operate the machine if any of the following conditions are present:
  - a. The door does not remain securely locked during the entire cycle.
  - b. Excessively high water level is evident.
  - c. Machine is not connected to a properly grounded circuit.

Do not bypass any safety devices in the machine.

	<b>WARNING</b>
<p><b>Never operate the machine with a bypassed or disconnected balance system. Operating the machine with severe out-of-balance loads could result in personal injury and serious equipment damage.</b></p> <p style="text-align: right;"><small>SW039</small></p>	

# Introduction

## Model Identification

Information in this manual is applicable to these models:

UW35PV	UW60PV
UW80PV	UW100PV
UW125PV	UW150PV

This manual is designed as a guide to the installation of the Pocket Hardmount washer-extractor equipped with the AC inverter drive.

**NOTE: All information, illustrations, and specifications contained in this manual are based on the latest product information available at the time of printing. We reserve the right to make changes at any time without notice.**

## Delivery Inspection

Upon delivery, visually inspect crate, protective cover, and unit for any visible shipping damage. If the crate, protective cover, or unit is damaged or signs of possible damage are evident, have the carrier note the condition on the shipping papers before the shipping receipt is signed, or advise the carrier of the condition as soon as it is discovered.

Remove the crate and protective cover as soon after delivery as possible. If any damage is discovered upon removal of the crate and/or protective cover, advise the carrier and file a written claim immediately.

## Nameplate Location

The nameplate is located on cagewrap, on side of AC Inverter Drive Compartment and on Electric Heat Contractor Box (if equipped). Always provide the machine's serial number and model number when ordering parts or when seeking technical assistance. Refer to *Figure 1*.

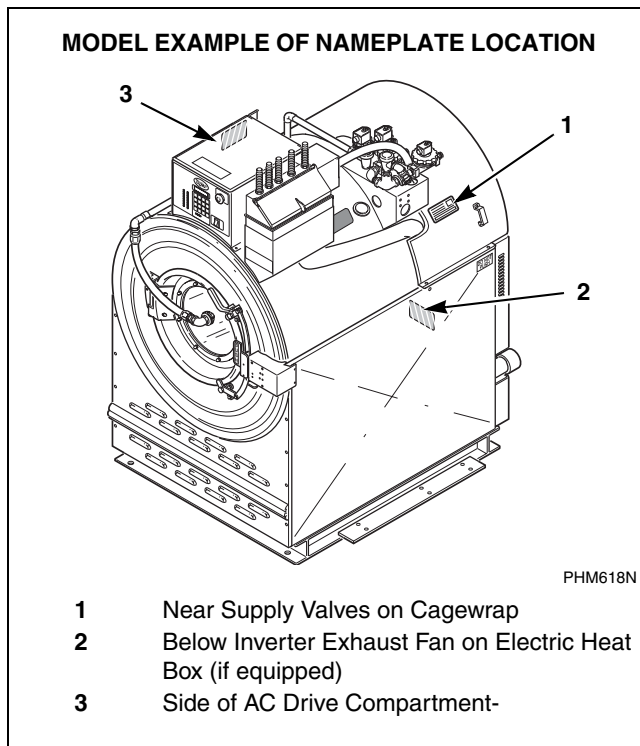


Figure 1

## Replacement Parts

If literature or replacement parts are required, contact the source from which the washer-extractor was purchased or contact Alliance Laundry Systems LLC at (920) 748-3950 for the name of the nearest authorized parts distributor. A parts manual may be ordered by returning the reply card provided with each washer-extractor.

## Customer Service

For technical assistance, contact your local distributor or call:

(920) 748-3121  
Ripon, Wisconsin

A record of each washer-extractor is on file with the manufacturer. Always provide the machine's serial number and model number when ordering parts or when seeking technical assistance. Refer to *Figure 1* and *Figure 2*.



Model Number Familiarization Guide	
Sample Model Number: <b>UW60PVQU80001</b>	
<b>UW</b>	Model Number Prefix
<b>60</b>	Washer-Extractor Capacity (pounds dry weight of laundry)
<b>P</b>	Type of Electrical Control P = WE-6 Computer
<b>V</b>	Washer-Extractor Speed Capabilities V = 7 Speeds
<b>Q</b>	Electrical Characteristics Refer to <i>Table 7</i> .
<b>U8</b>	Design Series J = Jog Feature (UW150 Models only)
<b>0001</b>	Option Identification (varies from machine to machine)

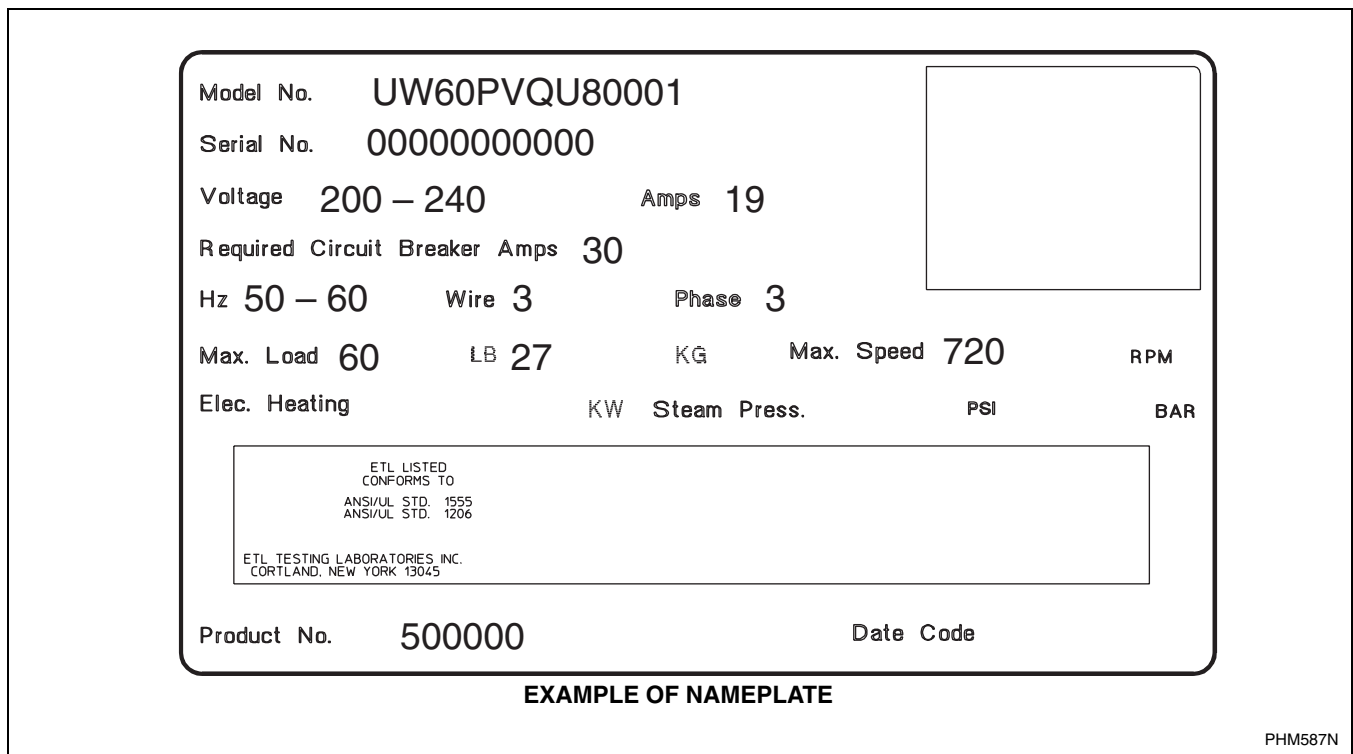


Figure 2

# Specifications and Dimensions

UWPV Models						
Specifications	35	60	80	100	125	150
<b>Overall Dimensions</b>						
Overall width, in (mm)	32.5 (826)	36.63 (930)	41.5 (1054)	41.5 (1054)	48 (1219)	50.25 (1277)
Overall height, in (mm)	55.5 (1410)	64.5 (1638)	68.5 (1740)	68.5 (1740)	72 (1829)	79 (2007)
Overall depth, in (mm)	43.63 (1108)	45 (1143)	51.5 (1308)	54.5 (1384)	58 (1473)	63 (1600)
<b>Weight And Shipping Information</b>						
Net weight, lb (kg)	1030 (468)	1300 (590)	1730 (785)	1770 (805)	2420 (1100)	2970 (1347)
Basket Weight, lb (kg)	150 (68)	200 (92)	330 (150)	360 (163)	550 (250)	572 (260)*
Domestic shipping weight, lb (kg)	1085 (493)	1340 (608)	1795 (814)	1835 (832)	2525 (1148)	3022 (1371)
Domestic shipping volume, ft <sup>3</sup> (m <sup>3</sup> )	66 (1.9)	84 (2.4)	119 (3.4)	119 (3.4)	166 (4.7)	172 (4.87)
Domestic shipping dimensions, WxDxH, in (mm)	38x47x64 (970x1200x 1630)	40x49x74.5 (1016x1245x 1892)	44x60.5 x77.25 (1118x1537x 1962)	44x60.5x77.25 (1118x1537x 1962)	61.5x60x77.75 (1560x1520x 1980)	54.5x69x79 (139x176x 201)
Export shipping weight, lb (kg)	1150 (522)	1464 (664)	1990 (903)	2030 (921)	2800 (1270)	3350 (1520)
Export shipping volume, ft <sup>3</sup> (m <sup>3</sup> )	78 (2.2)	96 (2.7)	134 (3.8)	134 (3.8)	184 (5.3)	220 (6.3)
Export shipping dimensions, WxDxH, in (mm)	41x50x65.5 (1050x1280x 1670)	43x52.12x74.5 (1092x1324x 1892)	47x63.5x77.25 (1194x1613x 1962)	47x63.5x77.25 (1194x1613x 1962)	63.5x63x80 (1620x1610x 2030)	61.5x71x87 (1562x1804x 2210)
<b>Wash Cylinder Information</b>						
Cylinder diameter, in (mm)	26.25 (667)	32 (813)	36 (914)	36 (914)	42 (1067)	43 (1093)
Cylinder depth, in (mm)	18.38 (467)	20 (508)	21 (533)	27 (686)	24 (610)	27.81 (706)
Cylinder volume, ft <sup>3</sup> (l)	5.76 (163)	9.31 (264)	12.4 (350)	15.9 (450)	19.2 (544)	23.4 (662)
Perforation size, in (mm)	0.19 (4.8)	0.19 (4.8)	0.19 (4.8)	0.19 (4.8)	0.19 (4.8)	0.19 (4.8)
Perforation open area,%	18	22	23	23	24	21.5
<b>Door Opening Information</b>						
Door opening size, in (mm)	14.34 (364)	17.5 (445)	17.5 (445)	17.5 (445)	20 (508)	24.75 (629)
Height of door bottom above floor, in (mm)	23.75 (603)	28.25 (718)	29 (737)	29 (737)	29 (737)	32 (813)
<b>Drive Train Information</b>						
Number of motors in drive train	1	1	1	1	1	1
Drive motor power, hp (kW)	3.0 (2.2)	5.0 (3.7)	7.5 (5.6)	7.5 (5.6)	10 (7.5)	10 (7.5)

\* Basket Only

<b>UWPV Models (Continued)</b>						
<b>Specifications</b>	<b>35</b>	<b>60</b>	<b>80</b>	<b>100</b>	<b>125</b>	<b>150</b>
<b>Cylinder Speeds / Centrifugal Force Data</b>						
1/2 Wash/reverse, rpm (g)	26 (.25)	26 (.31)	26 (.35)	26 (.35)	26 (.40)	23 (.31)
Wash/reverse, rpm (g)	42 (.66)	40 (.73)	40 (.82)	40 (.82)	37 (.82)	36 (0.8)
Distribution, rpm (g)	83 (2.57)	71 (2.29)	73 (2.57)	70 (2.50)	62 (2.29)	61 (2.29)
Medium extract, rpm (g)	325 (39)	305 (42)	325 (54)	325 (54)	260 (40)	262 (42)
High extract 1, rpm (g) *Design U6 models	474 (84)	435 (86)	408 (85)	408 (85)	380 (86)	417 (106)
	533 (106)	483 (106)	456 (106)	456 (106)	N/A	417 (106)
High extract 2, rpm (g)	610 (139)	555 (140)	523 (140)	523 (140)	485 (140)	512 (160)
High extract 3, rpm (g) *Design U6 models	795 (235)	720 (235)	671 (230)	601 (184)	534 (170)	573 (200)
	897 (308)	813 (300)	767 (300)	767 (300)	580 (200)	701 (300)
<b>Balance Detection</b>						
Vibration switch installed	STD	STD	STD	STD	STD	STD
Switch gap setting, in (mm)**	.006 (.15) GO .008 (.20) NO-GO	.008 (.20) GO .010 (.25) NO-GO	.008 (.20) GO .010 (.25) NO-GO	.008 (.20) GO .010 (.25) NO-GO	.006 (.15) GO .008 (.20) NO-GO	.013 (.33) GO .014 (.30) NO-GO

## Specifications and Dimensions

<b>Direct Steam Heating (Optional)</b>							
Steam inlet connection size, in (mm)		1/2 (13)	1/2 (13)	1/2 (13)	1/2 (13)	3/4 (19)	3/4 (19)
Number of steam inlets		1	1	1	1	1	1
Steam required to raise bath temperature 10°F, lb (10°C, kg)	LOW	2.1 (1.5)	3.3 (2.4)	4.6 (3.3)	5.7 (4.1)	6.7 (4.9)	8.3 (6.0)
	MED	2.3 (1.7)	3.7 (2.6)	5.2 (3.8)	6.5 (4.7)	7.8 (5.6)	9.5 (6.9)
	HIGH	2.7 (1.9)	4.1 (2.9)	6.1 (4.4)	7.6 (5.5)	9.1 (6.6)	11.1 (8.0)
Average consumption per cycle, BHP (kg)		1.4 (21.4)	2.1 (33.4)	3.1 (48.4)	3.8 (60.4)	4.6 (72.0)	5.8 (91.0)
<b>Electrical Heating (Optional)</b>							
Total electrical heating capacity, kW		15.6	25.2	37.8	37.8	50.4	N/A
Number of electrical heating elements		6	6	9	9	12	N/A
Electrical heating element size, kW		2.6	4.2	4.2	4.2	4.2	N/A
Time required to raise bath temperature 10°F, min (5°C, min)	LOW	2.4 (3.6)	2.4 (3.7)	2.2 (3.4)	2.8 (4.2)	2.5 (3.8)	N/A
	MED	2.7 (4.1)	2.7 (4.1)	2.5 (3.9)	3.2 (4.8)	2.9 (4.4)	N/A
	HIGH	3.1 (4.7)	3.0 (4.6)	3.0 (4.5)	3.7 (5.6)	3.4 (5.1)	N/A

\* Refer to *Figure 1*, and serial number decal on machine to determine design series.

\*\* Gap setting should be made with "GO-NO-GO" type feeler gauge.


## Machine Dimensions

### Dimensional Clearances

Allow a minimum of 24 inches (60 cm) at the rear and 18 inches (45 cm) at the sides for maintenance, inspection, and adjustment. Allow at least 18 inches (45 cm) between machines in multiple installations. Machine dimensions are indicated in *Figure 3*, *Figure 4* and *Table 1*.

**NOTE: The dimensions shown here are for planning purposes only. They are approximate and subject to normal manufacturing tolerances. If**

**exact dimensions are required for construction purposes, contact the distributor or the manufacturer. We reserve the right to make changes at any time without notice.**

	<b>WARNING</b>
<p><b>Crush hazard.</b>  <b>To avoid personal injury and/or property damage, do not tip the UW150 machine more than 25 degrees in any direction.</b></p>	
W642	

UWPV Pocket Hardmount Machine Dimensions (Refer to Figure 3 and Figure 4)												
Dimension	35		60		80		100		125		150	
	in	mm	in	mm	in	mm	in	mm	in	mm	in	mm
<b>A</b>	30.12	765	35.63	905	41.12	1045	41.12	1045	48	1219	50.25	1277
<b>B<sup>1</sup></b>	33.39	847	36.63	930	41.5	1054	41.5	1054	48	1219	50.25	1277
<b>C</b>	23.75	603	28.25	718	29	737	29	737	29	737	32	813
<b>D</b>	43.63	1108	45	1143	51-1/2	1308	54.5	1384	58	1473	63	1600
<b>E<sup>2</sup></b>	1/2	13	1	25	3	76	3	76	1.5	38	2.9	73
<b>F</b>	55.5	1410	64.5	1638	68-1/2	1740	68.5	1740	72	1829	79	2007
<b>G<sup>2</sup></b>	36	914	36	914	43-3/4	1111	43-3/4	1111	48	1219	56	1422
<b>H</b>	8	203	15.52	394	16-7/8	429	16-7/8	429	11-3/8	289	15.75	400
<b>J</b>	43.88	1114	55	1397	58-1/2	1486	58-1/2	1486	63-3/8	1610	70	1778

<sup>1</sup> Overhang dimensions for the optional starch dispenser are as follows:

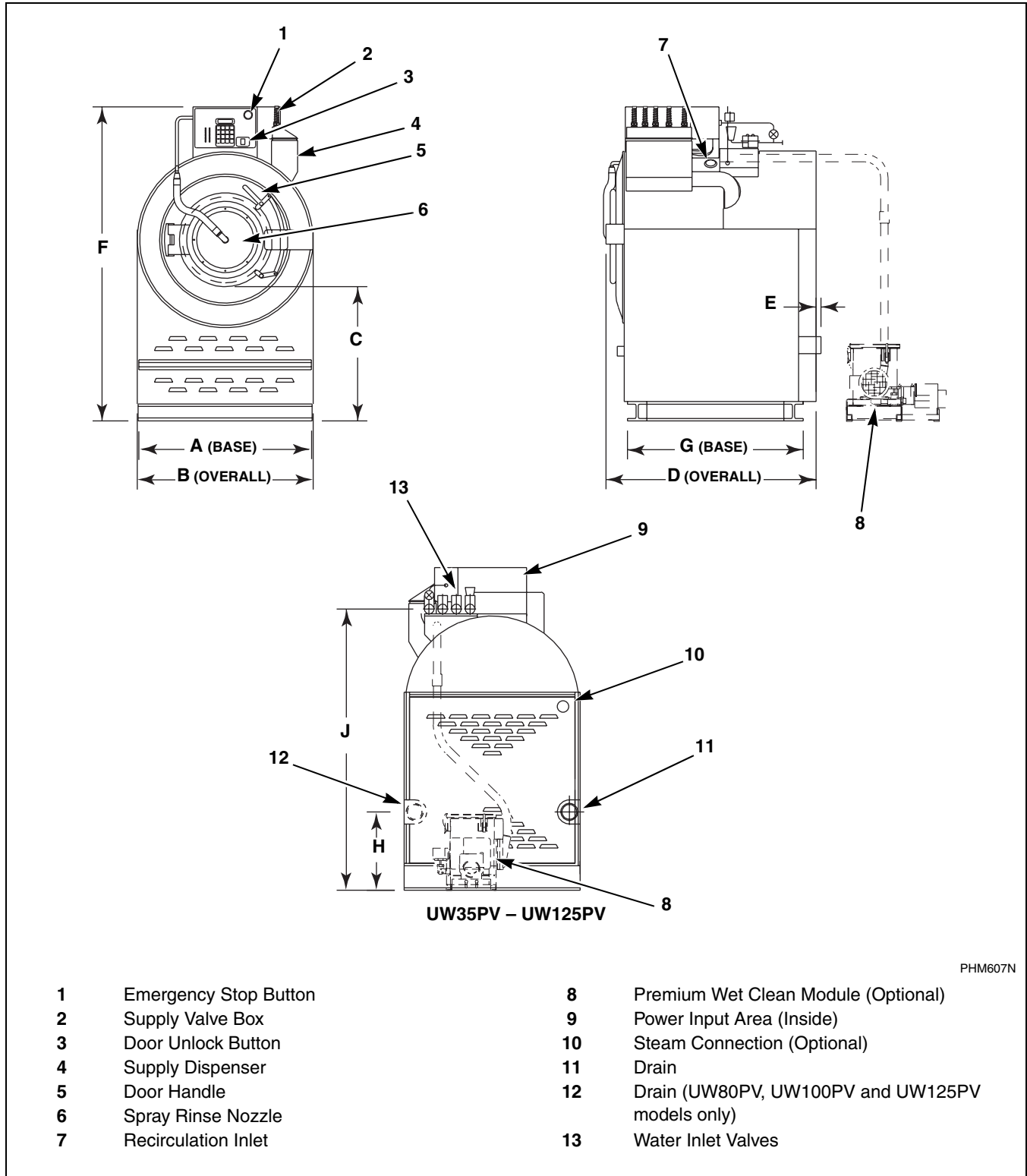
UW35PV, 3.88 inches (9.86 cm); UW60PV, 1.75 inches (4.45 cm);

UW80PV and UW100PV, 0.33 inch (0.83 cm). (The starch dispenser does not overhang the UW125PV.) (No longer available.)

<sup>2</sup> The overhang dimension for the premium wet clean module option (compatible with wet-clean-capable washer-extractors only) adds 24 inches (60.96 cm) to combined machine dimensions E and G.

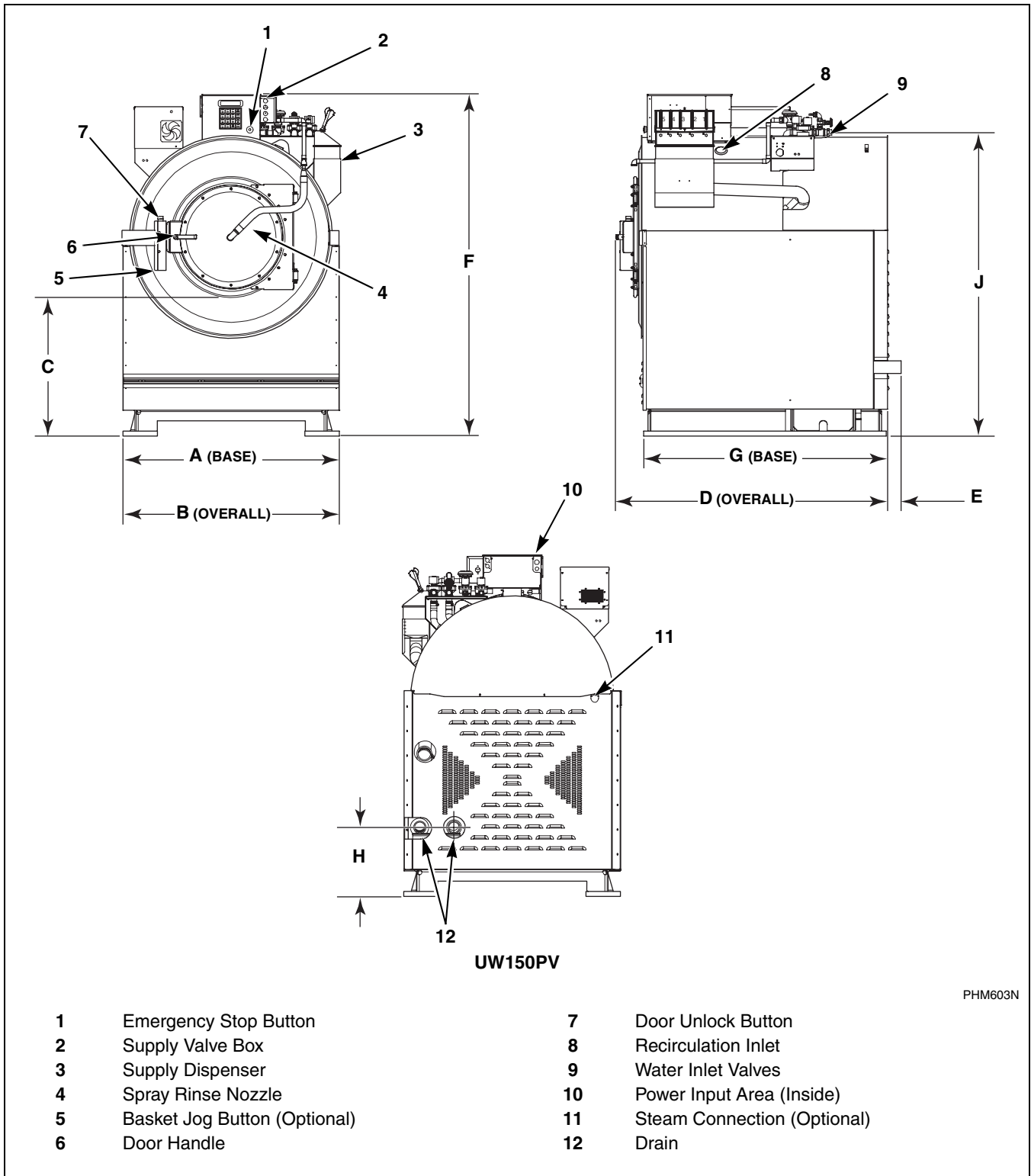
Table 1

# Specifications and Dimensions



PHM607N

Figure 3



PHM603N

Figure 4

## Specifications and Dimensions

### Machine Foundation Requirements

A 12 inch (305 mm) thickness of 3500 psi reinforced concrete foundation is absolutely necessary for all UWPV washer-extractors because of the high extract speed and the G-forces exerted.


When designing floors or foundations, refer to *Table 2* for Floor Load Data for all model sizes. If the foundation requirements have been met, proceed to *Mounting Bolt Installation Requirements* section.

**NOTE: Do not mount on wooden floors, above ground level, or over basements. Installation must be “slab on grade” or equal.**

Thoroughness of detail must be stressed with all foundation work to ensure a stable unit installation, eliminating possibilities of excessive vibration during extract.

For new foundations a bolt-locator fixture or rebar frame is available and a preferred option. This rigid welded assembly made of reinforcing rod and mounting bolts is designed to be embedded in concrete. Refer to *Figure 7*.

The washer-extractor must be anchored to a smooth level surface so that the entire base of the machine is supported and rests on the mounting surface. (Do not support the washer-extractor on only four points.) Make sure to grout machine. Refer to *Figure 6* and *Figure 7*.

	<b>CAUTION</b>
<b>Ensure that the machine is installed on a level floor of sufficient strength and that the recommended clearances for inspection and maintenance are provided. Never allow the inspection and maintenance space to be blocked.</b>	
SW020	



## Concrete Foundation Pad Installation

A concrete foundation and pad may be constructed to elevate the machines. Care must be exercised in the design of the foundation pad due to the force exerted by the machine during extract. This concrete base (recommended not to exceed 8 inches [20.32 cm]) must be poured, reinforced with rebar and tied to the existing 12 inch (30.48 cm) minimum floor. Refer to *Figure 5* and *Table 2*.

**IMPORTANT: Do NOT install a pad on top of the existing floor. The foundation and pad must be constructed and tied together as one piece.**

If the existing floor is not reinforced concrete at least 12 inches (305 mm) thick over a solid foundation, the following steps must be performed (refer to *Figure 5*):

1. Cut a hole larger on all sides than the machine base through the existing floor. The foundation should extend a minimum of 9 inches (229 mm) for UW35 models or 12 inches (305 mm) for UW60 - 150 models out from the machine on all sides.
2. Excavate to a depth of 18 inches (457 mm) from the top of the existing floor.
3. Produce a **PYRAMID-SHAPED** hole by excavating the bottom of the hole to a width 6 inches wider on each side than the width of the top of the hole.
4. If installing a foundation and pad, prepare a form for the above-ground portion of the foundation. Verify that the top of the foundation is level. The height of the foundation pad must not exceed 8 inches (203 mm) above the existing floor.
5. Refill with compacted fill dirt, making sure to allow for correct concrete thickness.
6. Wet the hole around the cement foundation well and brush the exposed foundation with cement grout.
7. Completely fill with a minimum of 12 inches (305 mm) up to the existing foundation level plus any added level for the desired elevated pad. The concrete must be poured so that the entire foundation and pad cures as one piece.
8. **For new foundations only** a bolt-locator fixture or a rebar frame is available and a preferred option. Embed the mounting bolts or rebar frame as the concrete is poured. Ensure that the bolt threads extend 2 inches (51 mm) for UW35 - 125 models and 3 inches (76 mm) for UW150 models above floor level.
9. Allow concrete to dry.
10. Proceed to *Machine Mounting and Grouting* section.

**NOTE: If the washer-extractor installation will include the Premium Wet Clean Module, the elevated base must be designed to accommodate the additional depth of 24 inches (60.96 cm).**

For technical assistance, contact your local distributor or call Alliance Laundry Systems at (920) 748-3121.

## Specifications and Dimensions

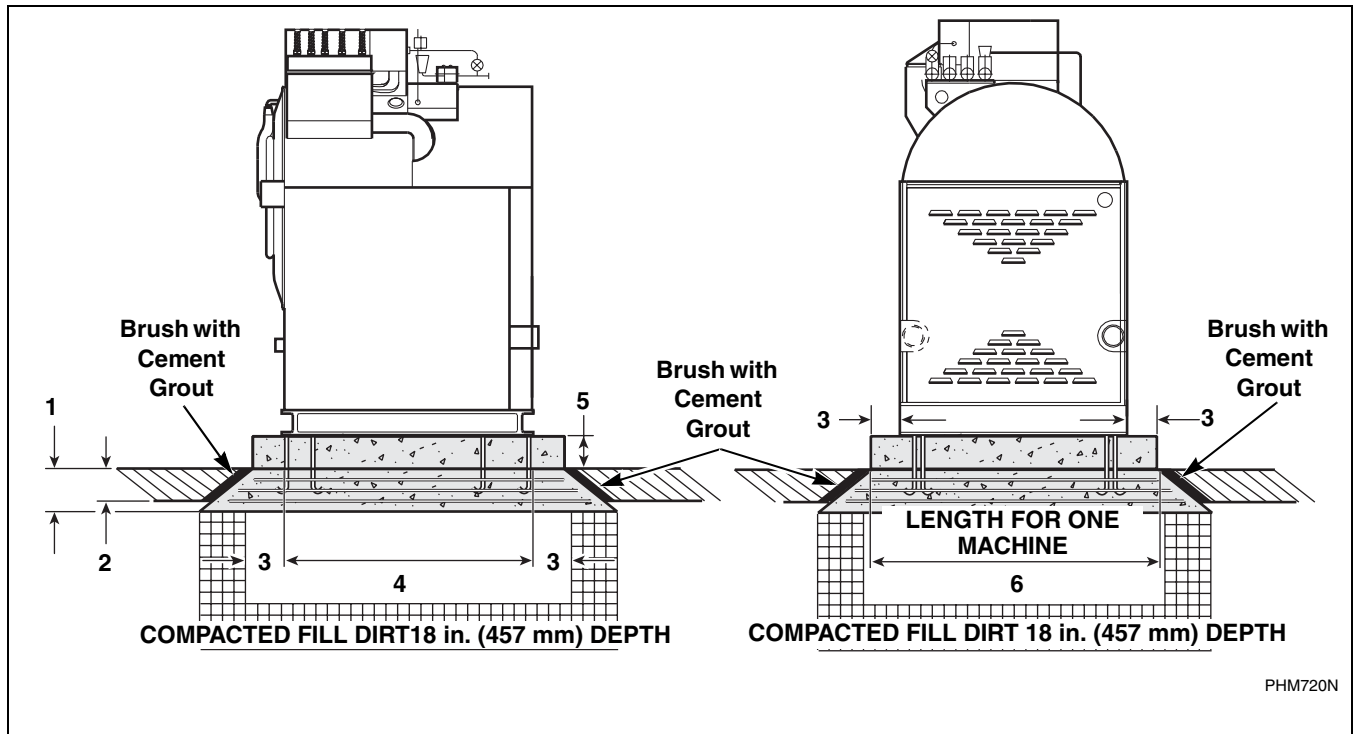


Figure 5

	35	60	80	100	125	150
<b>1</b>	12 in. (305 mm)	12 in. (305 mm)	12 in. (305 mm)	12 in. (305 mm)	12 in. (305 mm)	12 in. (305 mm)
<b>2*</b>	6 in. (152 mm) minimum	6 in. (152 mm) minimum	6 in. (152 mm) minimum	6 in. (152 mm) minimum	6 in. (152 mm) minimum	6 in. (152 mm) minimum
<b>3</b>	9 in. (229 mm)	12 in. (305 mm)	12 in. (305 mm)	12 in. (305 mm)	12 in. (305 mm)	12 in. (305 mm)
<b>4</b>	36 in. (914 mm)	36 in. (914 mm)	43.75 in. (1111 mm)	43.75 in. (1111 mm)	48 in. (1219 mm)	47.9 in. (1217 mm)
<b>5</b>	0 - 8 in. (0 - 203 mm) max.	0 - 8 in. (0 - 203 mm) max.	0 - 8 in. (0 - 203 mm) max.	0 - 8 in. (0 - 203 mm) max.	0 - 8 in. (0 - 203 mm) max.	0 - 8 in. (0 - 203 mm) max.
<b>6</b>	30.21 in. (765 mm)	35.62 in. (905 mm)	41.12 in. (1044 mm)	41.12 in. (1044 mm)	48 in. (1219 mm)	47 in. (1194 mm)

\* Measurement of existing floor.

### Floor Load Data

Static and dynamic loads on the floor or foundation are shown in *Table 2*. Refer to *Table 2* when designing floors and foundations.

UWPV Pocket Hardmount Floor Load Data							
Specifications	Design Series	35	60	80	100	125	150
Static floor load, lbs (kN)	U1-U5	1271 (5.64)	1677 (7.45)	2506 (11.2)	2741 (12.2)	3571 (15.9)	3936 (17.5)
	U6 and greater	1272 (5.66)	1677 (7.45)	2292 (10.2)	2490 (11.1)	3283 (14.6)	
Static pressure, lbs/ft <sup>2</sup> (kN/m <sup>2</sup> )	U1-U5	169 (8.08)	188 (9.00)	200 (9.6)	219 (10.5)	223 (10.7)	202 (9.7)
	U6 and greater	169 (8.08)	187 (8.94)	184 (8.79)	199 (9.6)	205 (9.8)	
Dynamic floor load, lbs (kN)	U1-U5	1647 (7.3)	2824 (12.6)	3683 (16.38)	3681 (16.37)	5016 (22.31)	4358 (19.4)
	U6 and greater	1648 (7.33)	2824 (12.6)	3679 (16.36)	3690 (16.41)	5011 (22.29)	
Dynamic pressure, lbs/ft <sup>2</sup> (kN/m <sup>2</sup> )	U1-U5	219 (10.5)	317 (15.2)	295 (14.2)	294 (14.1)	313 (15.1)	224 (11)
	U6 and greater	219 (10.5)	317 (15.2)	295 (14.2)	295 (14.2)	312 (15)	
Dynamic load frequency, Hz	U1-U5	13.3	12	11.2	10	9.7	11.7
	U6 and greater	15	13.6	12.8	12.8	9.7	
<sup>1</sup> Maximum vertical load, lbs (kN)	U1-U5	2712 (12.0)	4184 (18.6)	5493 (24.43)	5551 (24.69)	7561 (33.63)	7508 (33.4)
	U6 and greater	2719 (12.1)	4168 (18.5)	5482 (24.38)	5561 (24.73)	7559 (33.62)	
<sup>2</sup> Minimum vertical load, lbs (kN)	U1-U5	582 (2.59)	1464 (6.50)	1873 (8.3)	1811 (8.1)	2471 (11)	1208 (5.4)
	U6 and greater	576 (2.56)	1450 (6.45)	1852 (8.24)	1794 (8.0)	2434 (10.8)	
Base moment, lb/ft (kN/m)	U1-U5	4250 (5.35)	8894 (11.2)	11853 (16.1)	11849 (16.1)	16702 (22.7)	16707 (22.7)
	U6 and greater	4249 (5.8)	8895 (12.1)	11951 (16.2)	11984 (16.3)	16606 (22.5)	

<sup>1</sup> Acting in the downward direction against the floor.

<sup>2</sup> Acting in the upward direction away from the floor.

Table 2

## Specifications and Dimensions

### Mounting Bolt Installation Requirements (Approved Foundations Only)

**NOTE:** If installing expansion bolts into an elevated concrete foundation pad, the concrete foundation pad should extend a minimum of 9 inches (229 mm) for UW35 machines or 12 inches (305 mm) for UW60 - 150 machines out from the machine base on all sides. Refer to *Figure 5*.

**NOTE:** The optional Premium Wet Clean Module does *not* require permanent attachment to the floor.

A bolt kit consisting of eight bolts is available as an option. UW35PV machines use 5/8-11 x 8 inch bolts. UW60PV – UW125PV machines use 3/4-10 x 8 inch bolts. UW150PV machines use 3/4-10 x 10 inch grade 5 bolts. The bolts should be embedded in a 3500 psi (241 bar) minimum reinforced concrete floor that is a minimum of 12 inches (30.48 cm) thick. Use the mounting bolt layouts in *Mounting Bolt Hole Locations* section.

On UW35PV – UW125PV machines, the threaded end of the bolts should extend 2 inches (5.08 cm) above the mounting surface. On UW150PV machines, the threaded end of the bolts should extend 3 inches above the mounting surface.

Refer to *Figure 6* for a typical installation of individual mounting bolts.

For new foundations a bolt-locator fixture or rebar frame is available and a preferred option. This rigid welded assembly made of reinforcing rod and mounting bolts is designed to be embedded in concrete. Refer to *Figure 7*.

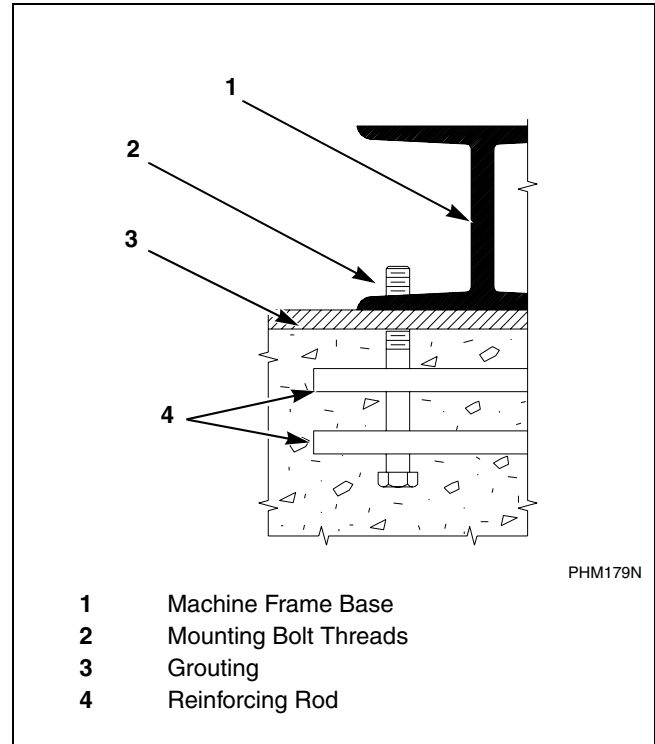


Figure 7

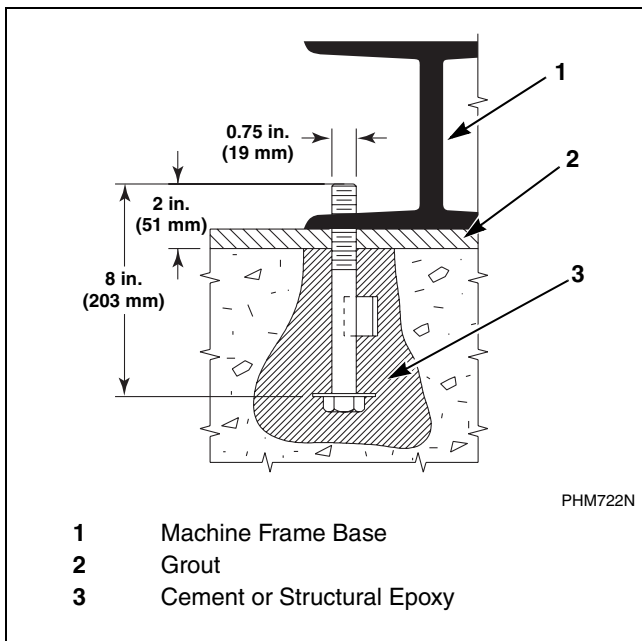


Figure 6

## Machine Mounting and Grouting

After the concrete has cured, proceed as follows:

1. Place the washer-extractor adjacent to the foundation. Do not attempt to move the machine by pushing on the sides. Always insert a pry bar or other device under the bottom frame of the machine to move it.
2. Remove the wood skid by unscrewing the carriage bolts holding the skid to the bottom frame of the washer-extractor.
3. Place the washer-extractor carefully over the anchor bolts. Never attempt to lift the machine by the door handle or by pushing on the cover panels.
4. Raise and level the washer-extractor 0.5 inch (1.27 cm) off the floor on three points, using spacers such as nut fasteners.
5. Fill the space between the washer-extractor base and the floor with a good quality **non-shrinking machinery precision grout** to ensure a stable installation. Grout completely under all frame members. (Remove front panel and back panel to gain access to **all** frame members.) Refer to *Figure 13*. Force grout under machine base until all voids are filled.
6. **Remove the spacers carefully, allowing the machine to settle into the wet grout.**
7. Before grout sets completely, make a drain opening in the rear of the washer-extractor grouting with a stiff piece of wire; this opening should be approximately 1/2 inch (1.27 cm) wide to allow any surface water build-up under the base of the machine to drain away. **Do not omit this step.**
8. Position the mounting bolt washers and locknuts on the anchor bolts and fingertighten locknuts to machine base.
9. After the grout is completely dry, tighten the locknuts by even increments – one after the other – until all are tightened evenly and the washer-extractor is fastened securely to the floor.
10. After installing bolts using a rebar frame, torque 5/8 inch bolts (35 model) to 90 ft. lb. and torque 3/4 inch bolts (60-150 models) to 160 ft. lb. When using bolts not specified by Alliance Laundry Systems, refer to the specifications provided with the bolt.

**NOTE: Check and retighten the locknuts after five to ten days of operation and every month thereafter.**

# Mounting Bolt Hole Locations

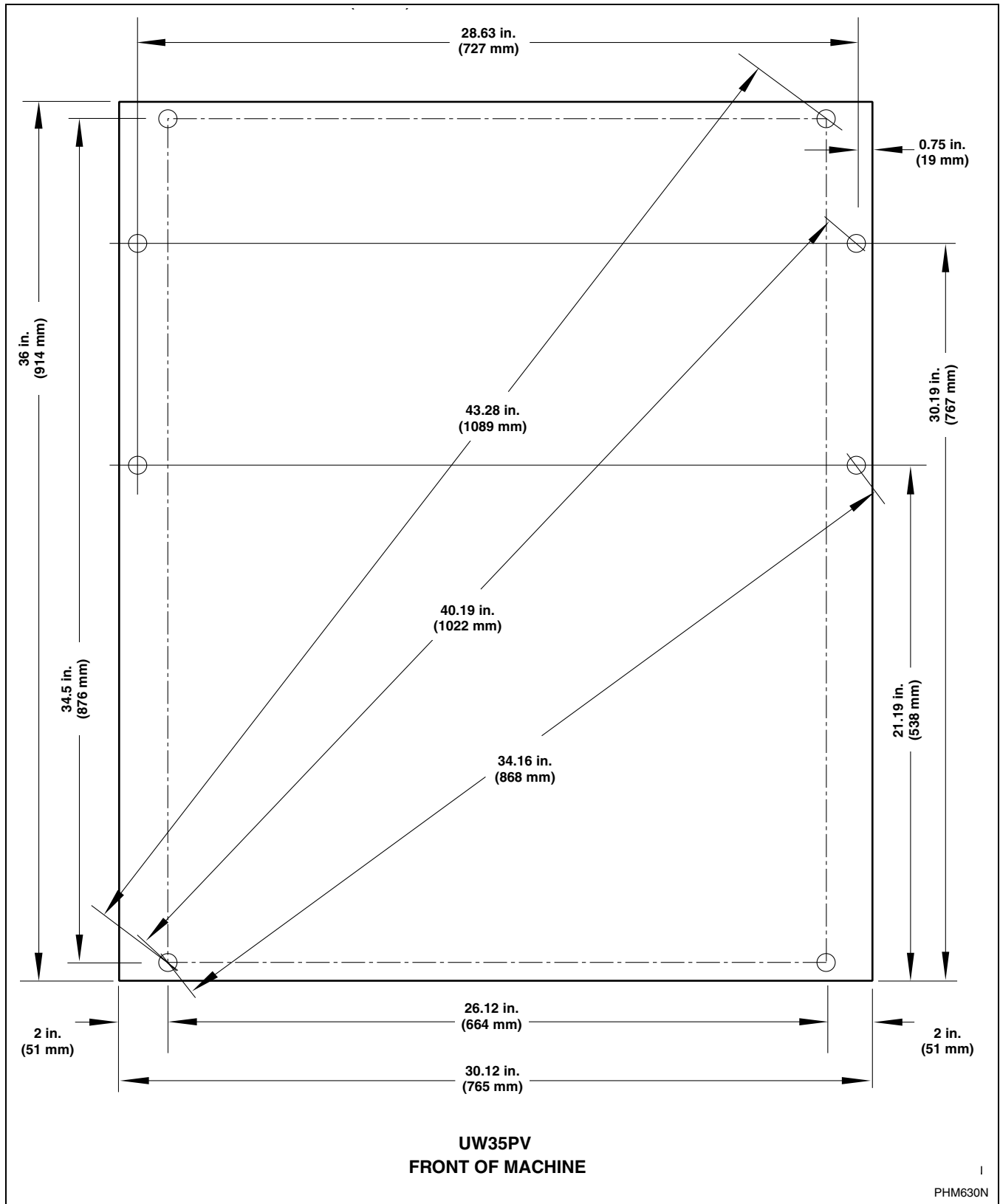


Figure 8

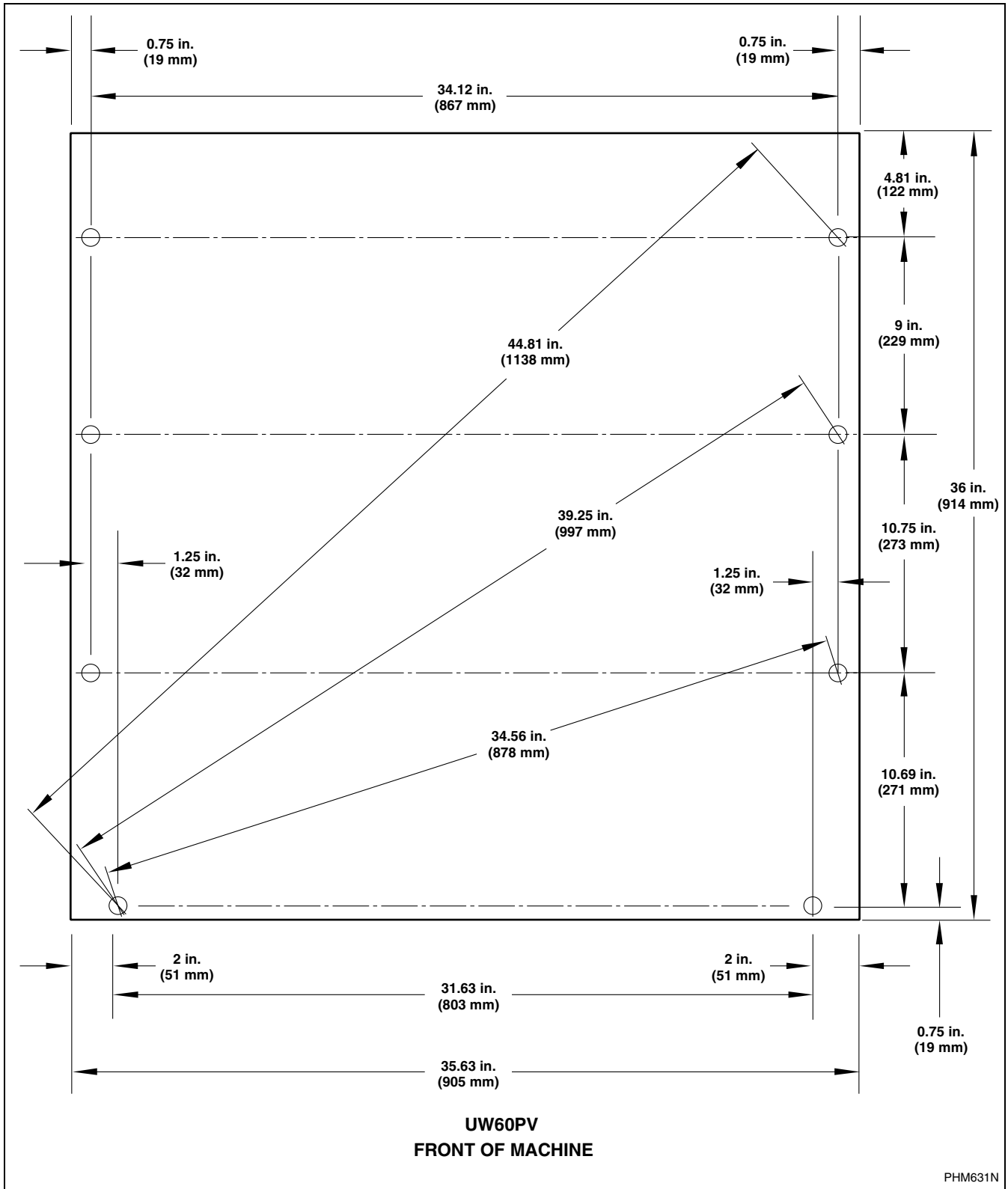


Figure 9

# Specifications and Dimensions

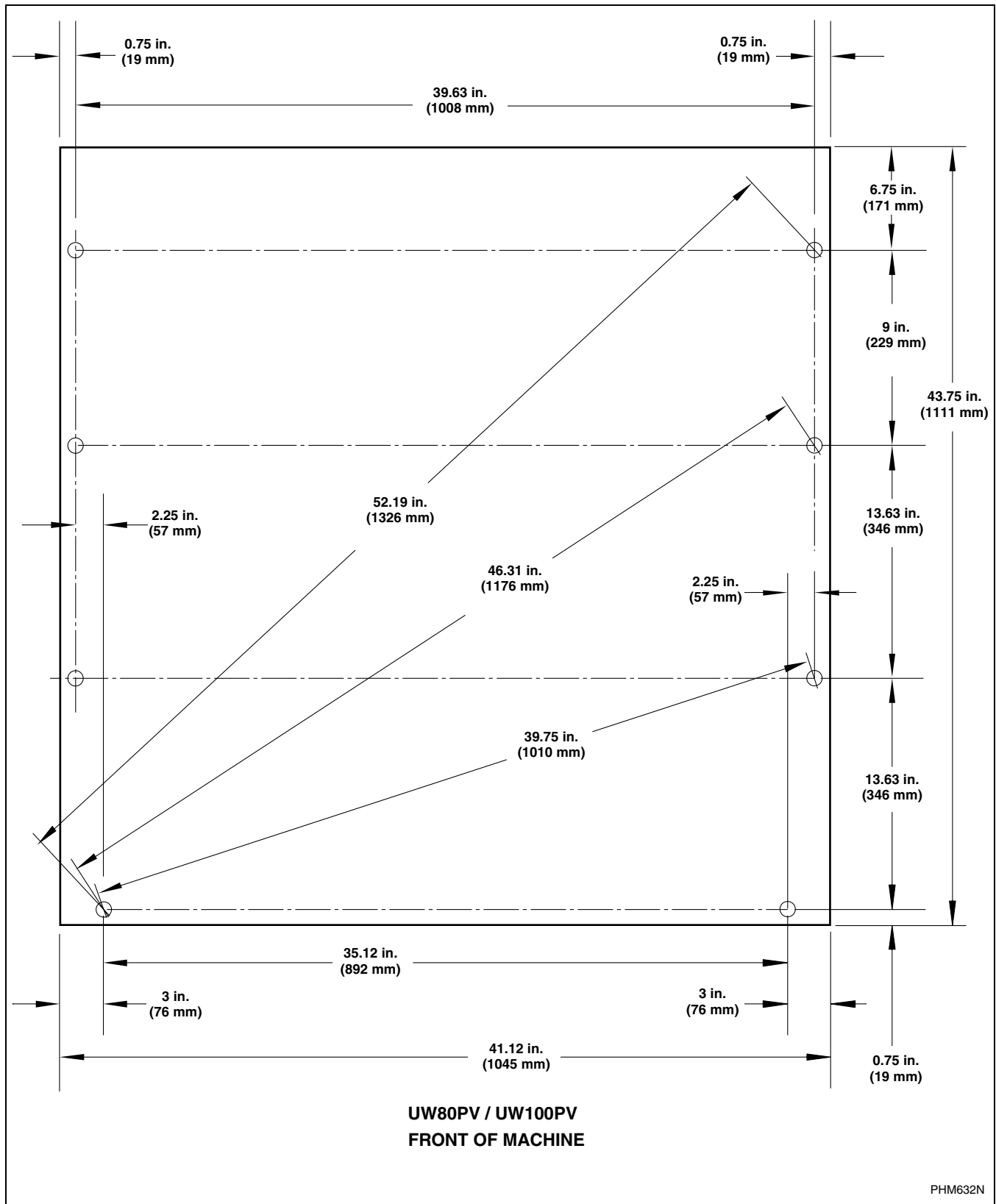


Figure 10



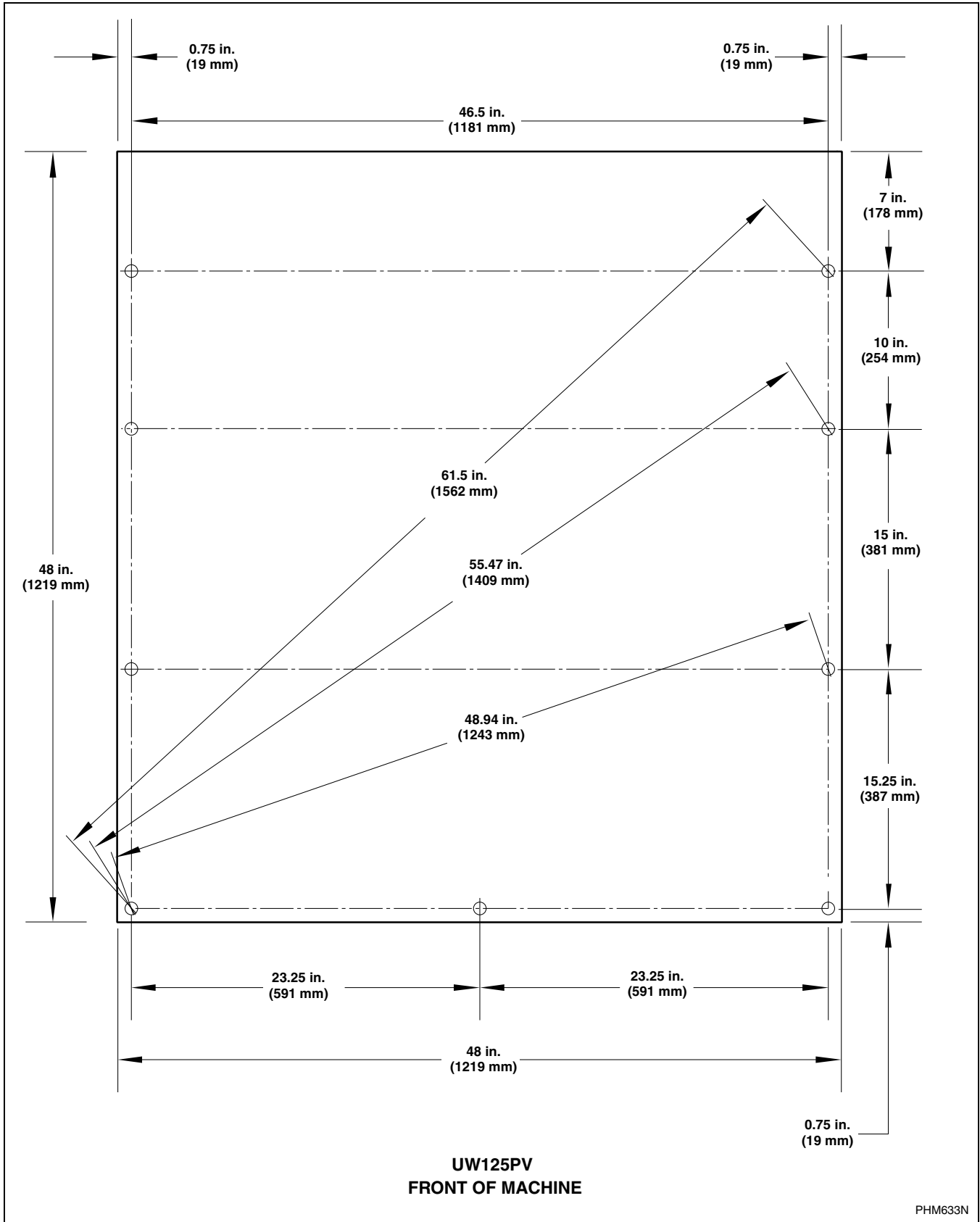


Figure 11

# Specifications and Dimensions

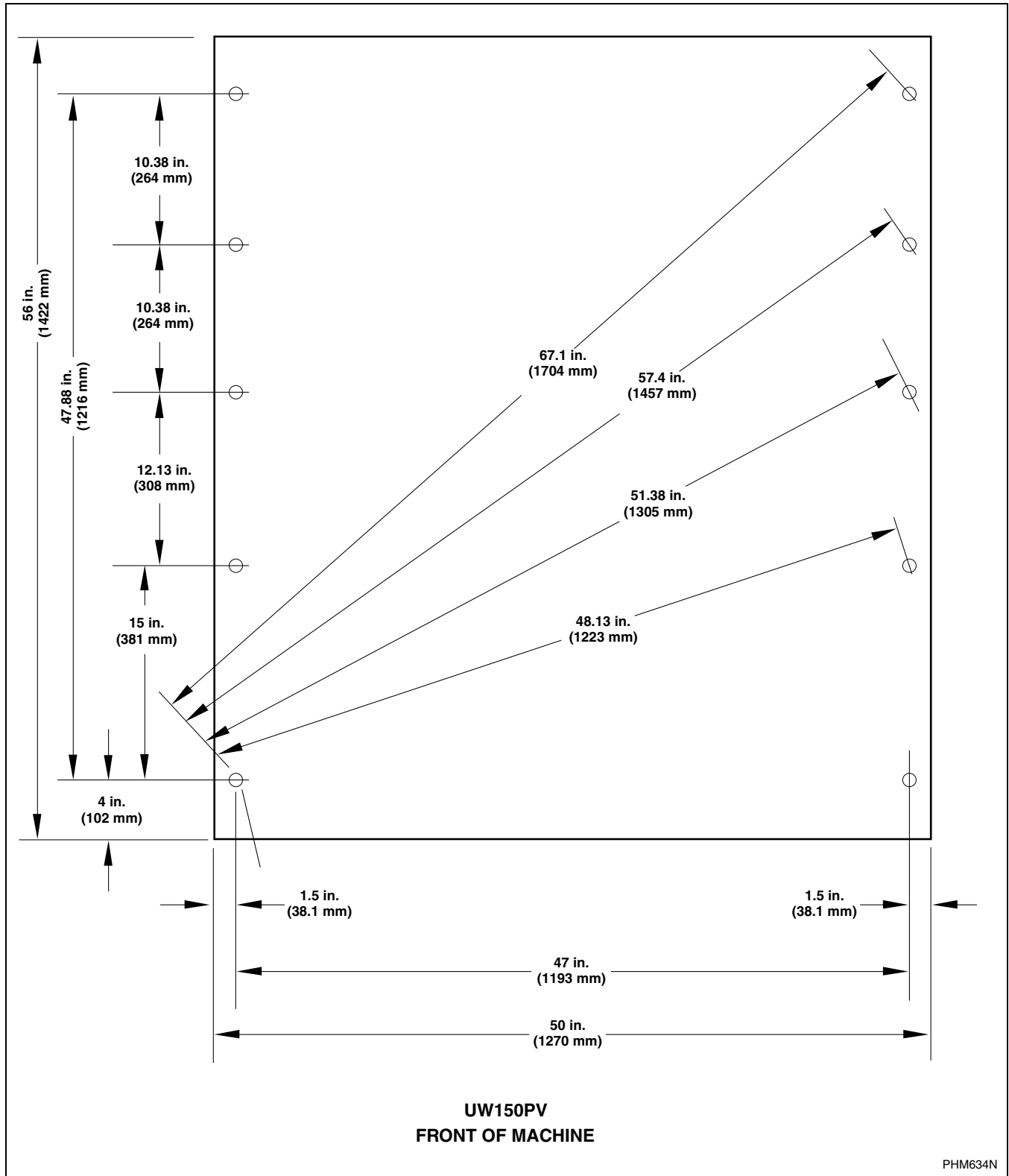


Figure 12

# Grout Placement

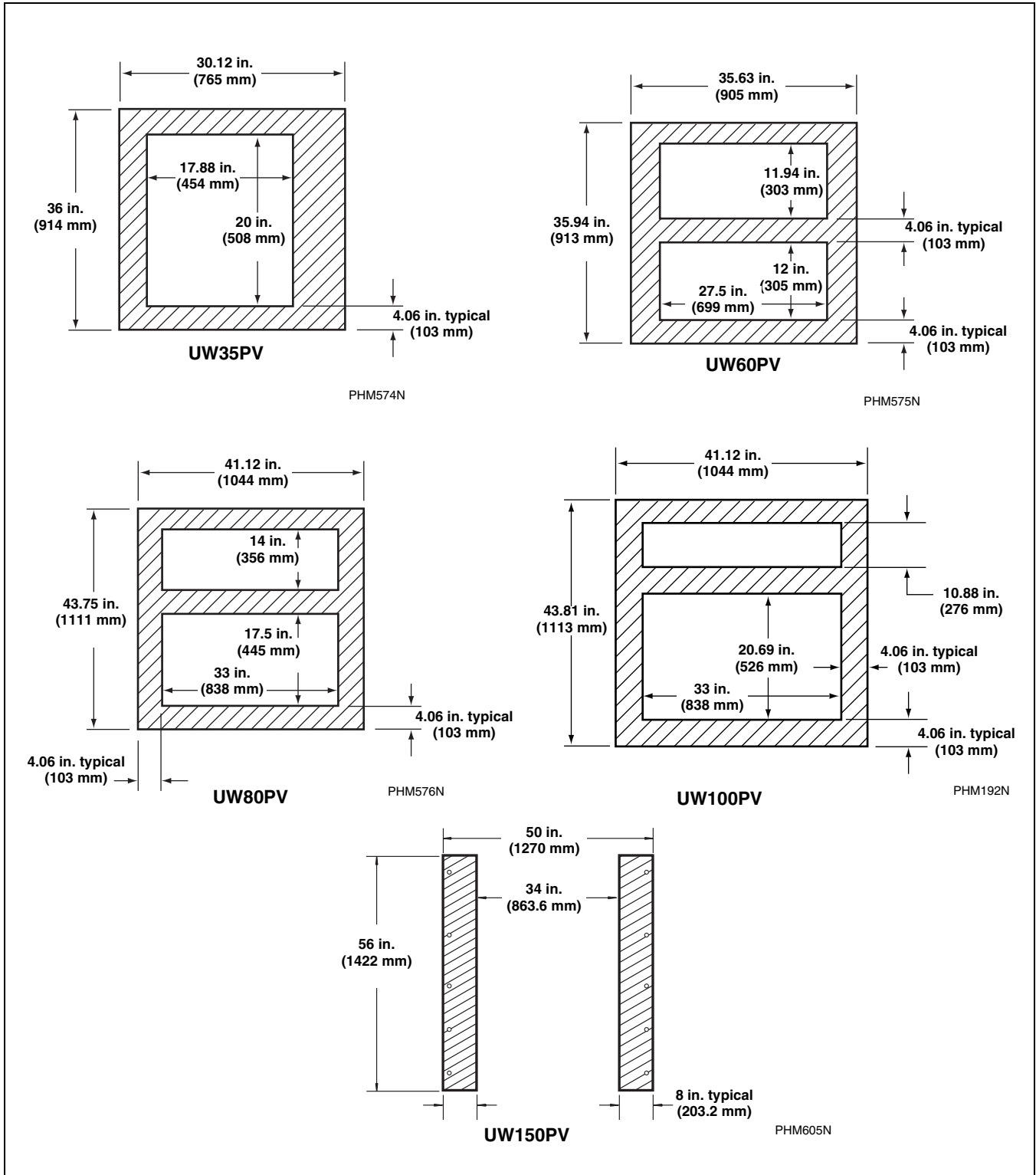


Figure 13

## Specifications and Dimensions

### Drain Connection Requirements

A drain system of adequate capacity is essential to washer-extractor performance. Ideally, the water should empty through a vented pipe directly into a sump or floor drain. *Figure 14* and *Figure 15* show drain line and drain trough configurations.

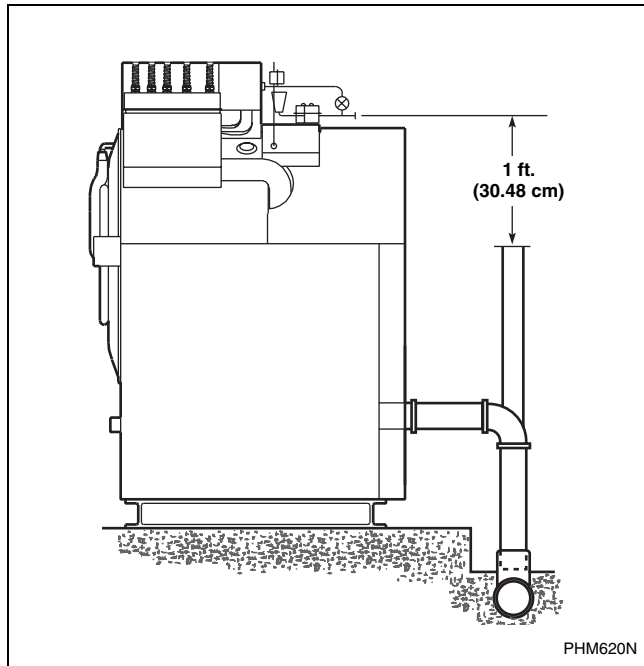


Figure 14

A flexible connection must be made to a vented drain system to prevent an air lock and to prevent siphoning.

**IMPORTANT: Washer-extractor must be installed in accordance with all local codes and ordinances.**

**IMPORTANT: The top of the vent must be 1 foot (30.48 cm) lower than the bottom of the inlet valves.**

If proper drain size is not available or practical, a surge tank is required. A surge tank in conjunction with a sump pump should be used when gravity drainage is not possible, such as in below-ground-level installations.

Before any deviation from specified installation procedures is attempted, the customer or installer should contact the distributor.

Increasing the drain hose length, installing elbows, or causing bends will decrease drain flow rate and increase drain times, impairing washer-extractor performance.

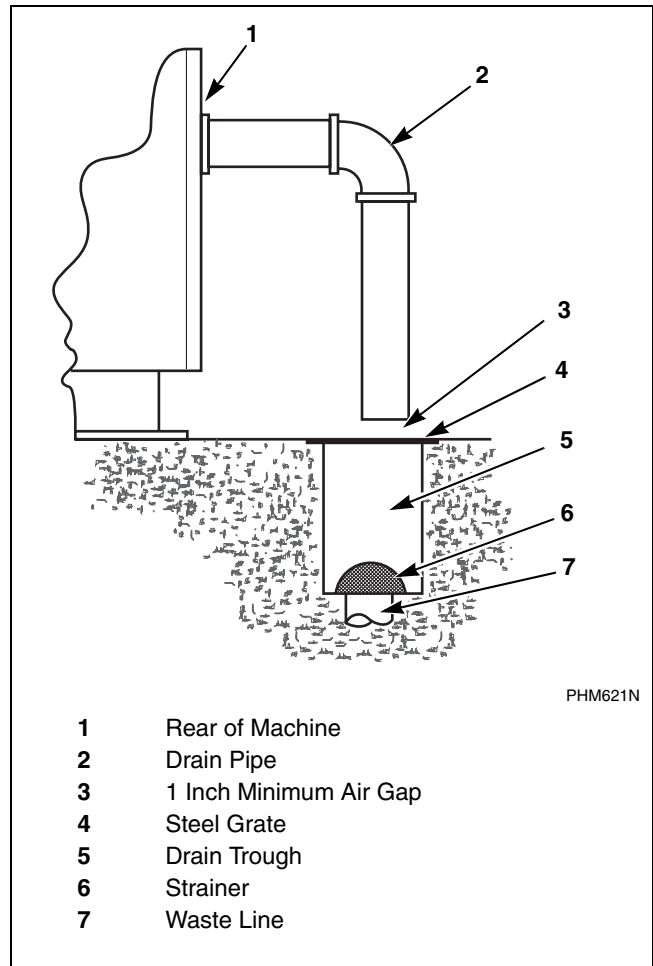


Figure 15

Refer to *Table 3* for capacity-specific drain information.

Installation of additional washer-extractors will require proportionately larger drain connections. Refer to *Table 4*.

**For UW125PV and UW150PV Models Only**

**IMPORTANT: Do not block the overflow vent above the drain line.**

If water or suds flow from the overflow vent and the machine has been verified to be operating properly with proper water levels and correct amount of laundry chemicals, a drain line may be added to the vent and routed to a drain trough.

1. Remove the riveted bracket on the rear panel for access to the overflow vent pipe.
2. Route a drain pipe from the vent pipe to a drain trough. Drain pipe should be routed straight across or down and be suspended above drain trough by at least 3 inches (7.62 cm).

**IMPORTANT: Do not route the overflow vent pipe to a direct drain system.**

## Specifications and Dimensions


<b>UWPV Pocket Hardmount Drain Information</b>						
<b>Specifications</b>	<b>35</b>	<b>60</b>	<b>80</b>	<b>100</b>	<b>125</b>	<b>150</b>
Drain connection size, I.D., in (mm)	2.38 (60)	3 (76)	3 (76)	3 (76)	3 (76)	3 (77)
With second drain: For Premium Wet Clean option†	3 (76)	3 (76)				
Number of drain outlets	1	1	2	2	2	2
With second drain: For Premium Wet Clean option†	2	2				
Drain flow capacity, gal/min (l/min)	35 (132)	64 (242)	120 (454)	120 (454)	140 (530)	140 (530)
For Premium Wet Clean option†	70 (265)	100 (379)				
Recommended drain pit size, ft <sup>3</sup> (l) ‡	5 (142)	6 (170)	9 (255)	11 (311)	13 (368)	13 (368)
†For wet-clean-capable washer-extractors only.						
‡Sized for one machine using overflow level.						

Table 3

<b>UWPV Pocket Hardmount Drain Line Sizing Minimum Drain I.D., in (mm)</b>				
<b>Model</b>	<b>Number of Machines</b>			
	<b>1</b>	<b>2</b>	<b>3</b>	<b>4</b>
<b>35</b>	3 (76.2)	3 (76.2)	3.5 (88.9)	4 (102)
<b>60</b>	3 (76.2)	4 (102)	6 (152)	6 (152)
<b>80</b>	4 (102)	6 (152)	6 (152)	8 (203)
<b>100</b>	4 (102)	6 (152)	6 (152)	8 (203)
<b>125</b>	4 (102)	6 (152)	6 (152)	8 (203)
<b>150</b>	4 (102)	6 (152)	6 (152)	8 (203)

Table 4

## Water Connection

	<b>DANGER</b>
<p><b>To avoid personal injury, recommended inlet water temperature should be no higher than 125° Fahrenheit (51° Celsius).</b></p> <p style="text-align: right;"><small>W709</small></p>	

<b>UWPV Pocket Hardmount Water Supply Information</b>				
<b>Specifications</b>	<b>35</b>	<b>60</b>	<b>80/100</b>	<b>125/150</b>
Number of main fill water inlets	2	2	2	2
Main fill water inlet size, in (mm)	0.5 (12.7)	0.75 (19)	0.75 (19)	1 (25.4)
Number of Spray Rinse water inlets	2	2	2	2
Spray rinse water inlet size, in (mm)	0.5 (12.7)	0.5 (12.7)	0.75 (19)	0.75 (19)
Recommended pressure psi (bar)	30 – 85 (2 – 5.7)			
Inlet flow capacity (80 psi), gal/min (l/min)	28 (106)	39 (148)	50 (189)	75 (284)

Table 5

Connections should be supplied by hot and cold water lines of at least the sizes shown in the Water Supply Line Sizing table. Installation of additional machines will require proportionately larger water lines. Refer to *Table 6*. Flush the water lines before connecting them to the machine.

## Specifications and Dimensions

To connect water service to machine with rubber hoses, use the following procedure:

1. Before installing hoses, flush the water system for at least two minutes.
2. Check filters in the washer-extractor's inlet hoses for proper fit and cleanliness before connecting.
3. Hang the hoses in a large loop; do not allow them to kink.

If additional hose lengths are needed, use flexible hoses with screen filters. Each hose should have a screen filter installed to keep rust and other foreign particles out of the water inlet valves.

Pressure of 30 – 85 psi (2 – 5.7 bar) provides best performance. Although the washer-extractor will function properly at lower pressures, increased fill times will occur.

Suitable air cushions should be installed in supply lines to prevent “hammering.” Refer to *Figure 16*.

For machines labeled with the CE mark, backsiphon protection devices must be installed previous of all machine water inlet valves in accordance with accepted European standards.

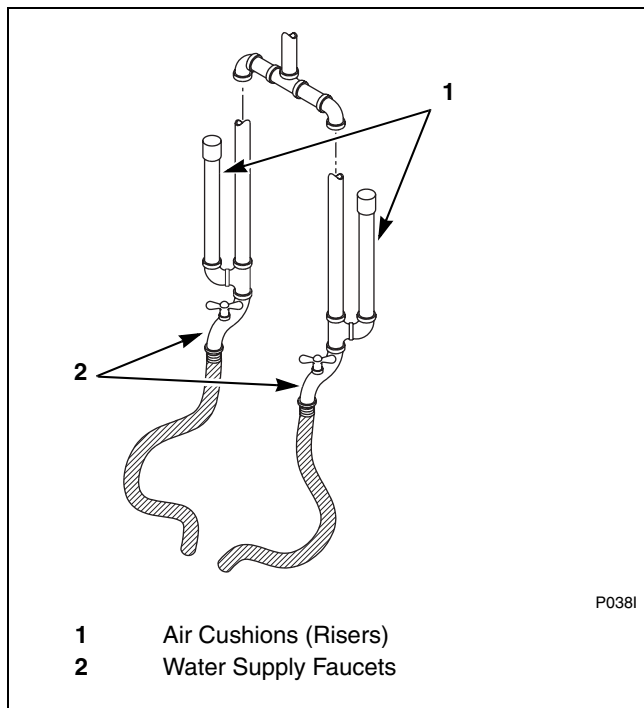


Figure 16


UWPV Pocket Hardmount Water Supply Line Sizing			
Model	Number of Machines	Supply Line Size, in (mm)	
		Main	Hot/Cold
35	1	1 (25)	0.75 (19)
	2	1.5 (38)	1 (25)
	3	2 (50)	1.25 (32)
	4	2 (50)	1.5 (38)
60	1	1.25 (32)	1 (25)
	2	2 (50)	1.25 (32)
	3	2 (50)	1.5 (38)
	4	2.5 (64)	2 (50)
80	1	1.25 (32)	1 (25)
	2	2 (50)	1.25 (32)
	3	2 (50)	1.5 (38)
	4	2.5 (64)	2 (50)
100	1	1.5 (38)	1 (25)
	2	2 (50)	1.5 (38)
	3	2 (50)	1.5 (38)
	4	2.5 (64)	2 (50)
125	1	2 (50)	1.25 (32)
	2	2.5 (64)	2 (50)
	3	2.5 (64)	2 (50)
	4	2.5 (64)	2.5 (64)
150	1	2 (50)	1.25 (32)
	2	2.5 (64)	2 (50)
	3	2.5 (64)	2 (50)
	4	2.5 (64)	2.5 (64)


Table 6




## Electrical Installation Requirements

**IMPORTANT:** Electrical ratings are subject to change. Refer to serial decal for electrical ratings information specific to your machine.

	<b>WARNING</b>
<p><b>This machine must be installed, adjusted, and serviced by qualified electrical maintenance personnel familiar with the construction and operation of this type of machinery. They must also be familiar with the potential hazards involved. Failure to observe this warning may result in personal injury and/or equipment damage, and may void the warranty.</b></p>	
SW004	

	<b>WARNING</b>
<p><b>Dangerous voltages are present in the electrical control box(es) and at the motor terminals. Only qualified personnel familiar with electrical test procedures, test equipment, and safety precautions should attempt adjustments and troubleshooting. Disconnect power from the machine before removing the control box cover, and before attempting any service procedures.</b></p>	
SW005	


	<b>WARNING</b>
<p><b>Ensure that a ground wire from a proven earth ground is connected to the ground lug near the input power block on this machine. Without proper grounding, personal injury from electric shock could occur and machine malfunctions may be evident.</b></p>	
SW008	


Electrical connections are made at the rear of the control module. The machine must be connected to the proper electrical supply shown on the identification plate attached to the side of the control module, using copper conductors only.

**IMPORTANT:** Alliance Laundry Systems warranty does not cover compounds that fail as a result of improper input voltage.

The AC inverter drive requires a clean power supply free from voltage spikes and surges. A voltage monitor should be used to check incoming power. The customer's local power company may provide such a monitor.

If input voltage measures above 230V for a 200V drive or above 440V for a 400V drive, ask the power company to lower the voltage. As an alternative, a step-down transformer kit is available from the distributor. Voltages above 250V and 490V require additional measures. Contact the distributor or the manufacturer for assistance.


	<b>WARNING</b>
<p><b>Never touch terminals or components of the AC inverter drive unless power is disconnected and the "CHARGE" indicator LED is off. The AC inverter drive retains potentially deadly voltage for some time after the power is disconnected. There are no user-serviceable parts inside the AC inverter drive. Tampering with the drive will void the warranty.</b></p>	
SW009	

	<b>DANGER</b>
<p><b>When controlling the AC inverter drive with a parameter unit, the machine's computer and its safety features are bypassed. This would allow the basket to rotate at high speeds with the door open. When using a parameter unit to control the AC inverter drive, a large sign should be placed on the front of the machine warning people of the imminent danger.</b></p>	
SW003	

## Specifications and Dimensions

The AC drive provides thermal overload protection for the drive motor. However, a separate three-phase circuit breaker or electrical supply disconnecting device must be installed for complete electrical overload protection. This prevents damage to the motor by disconnecting all legs if one should be lost accidentally. Check the data plate on the back of the washer-extractor or refer to *Table 7* for circuit breaker requirements.

**IMPORTANT: Do NOT use fuses in place of a circuit breaker.**

	<b>CAUTION</b>
<b>Do not use a phase adder on any variable-speed machine.</b>	
<small>SW037</small>	

The washer-extractor should be connected to an individual branch circuit not shared with lighting or other equipment.

The connection should be shielded in a liquid-tight or approved flexible conduit with proper conductors of correct size installed in accordance with the National Electric Code or other applicable codes. The connection must be made by a qualified electrician using the wiring diagram provided with the washer-extractor, or according to accepted European standards for equipment labeled with the CE mark.

Use wire sizes indicated in *Table 7* for runs up to 50 feet (15.24 meters). Use next larger size for runs of 50 to 100 feet (15.24 to 30.48 meters). Use 2 sizes larger for runs greater than 100 feet (30.48 meters).

For personal safety and for proper operation, the washer-extractor must be grounded in accordance with state and local codes. If such codes are not available, grounding must conform with the National Electric Code, article 250 (current edition) or accepted European standards for equipment labeled with the CE mark. The ground connection must be made to a proven earth ground, not to conduit or water pipes. Refer to *Figure 17*.

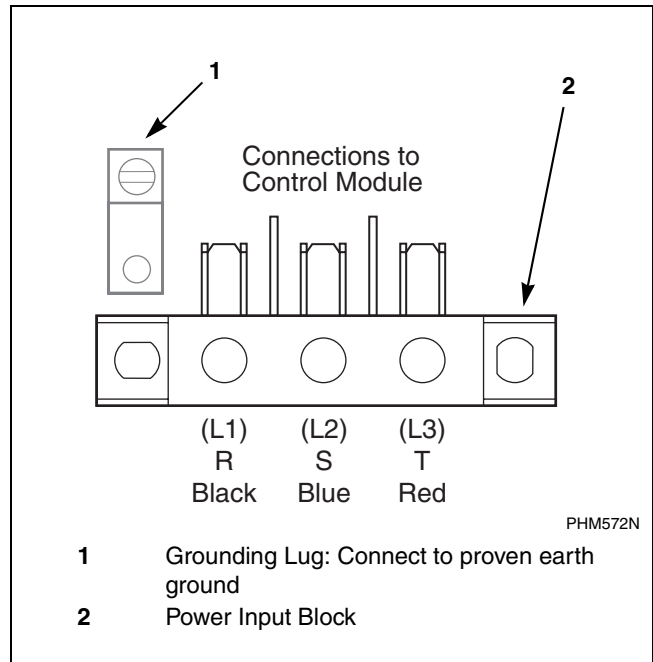


Figure 17

After electrical installation is complete, run the machine through a test cycle and check for a clockwise basket rotation during the extract step. If rotation is not clockwise, disconnect the power from the machine and have a qualified electrician reverse any 2 motor leads at the AC drive terminal block.


UWPV Pocket Hardmount Electrical Specifications													
Voltage Designation						Standard				Electric Heat			
Model	Code	Voltage	Cycle	Phase	Wire	Full Load Amps	Breaker	AWG	mm <sup>2</sup>	Full Load Amps	Breaker	AWG	mm <sup>2</sup>
35	N	440 – 480	50/	3	3	4	15	14	2.5	25	30	10	6
	P	380 – 415	50/	3	3	4	15	14	2.5	22	30	10	6
	Q	200 – 240	50/	3	3	6	15	14	2.5	38	50	6	16
	T	200 – 240	50/	1	2	17	20	12	4	Not available in this voltage.			
60	N	440 – 480	50/	3	3	6	15	14	2.5	33	40	8	10
	P	380 – 415	50/	3	3	6	15	14	2.5	29	40	8	10
	Q	200 – 240	50/	3	3	12	15	14	2.5	66	80	3	25
	T	200 – 240	50/	1	2	14	30	10	6	Not available in this voltage.			
	X	200 – 240	50/ 60	1 or 3	2 or 3	14	20	12	4 or 4	Not available in this voltage.			
80	N	440 – 480	50/	3	3	7	15	14	2.5	66	80	3	25
	P	380 – 415	50/	3	3	7	15	14	2.5	57	70	4	25
	Q	200 – 240	50/	3	3	13	20	12	4	99	110	1	50
100	N	440 – 480	50/	3	3	7	15	14	2.5	66	80	3	25
	P	380 – 415	50/	3	3	7	15	14	2.5	57	70	4	25
	Q	200 – 240	50/	3	3	13	20	12	4	99	110	1	50
125	N	440 – 480	50/	3	3	7	15	14	2.5	66	80	3	25
	P	380 – 415	50/	3	3	7	15	14	2.5	57	70	4	25
	Q	200 – 240	50/	3	3	13	20	12	4	132	140	2/0	70
150	N	440 – 480	50/	3	3	8	15	14	2.5	NOT AVAILABLE			
	P	380 – 415	50/	3	3	8	15	14	2.5				
	Q	200 – 240	50/	3	3	14	20	12	4				

NOTE: Wire sizes shown are for copper, THHN, 90° conductor per NEC article 310.

Table 7

## Steam Requirements (Steam Heat Option Only)

For washer-extractors equipped with optional steam heat, install piping in accordance with approved commercial steam practices. Steam requirements are shown in *Table 8*.


	<b>WARNING</b>
<p><b>Never touch internal or external steam pipes, connections, or components. These surfaces can be extremely hot and will cause severe burns. The steam must be turned off and the pipe, connections, and components allowed to cool before the pipe can be touched.</b></p>	
SW014	

**NOTE: Failure to install the supplied steam filter may void the warranty.**

<b>UWPV Pocket Hardmount Steam Supply Information</b>					
	<b>35</b>	<b>60</b>	<b>80</b>	<b>100</b>	<b>125/150</b>
Steam inlet connection, in (mm)	1/2 (DN13)	1/2 (DN13)	1/2 (DN13)	1/2 (DN13)	3/4 (DN19)
Number of steam inlets	1	1	1	1	1
Recommended pressure, psi (bar)	30 – 80 (2.0 – 5.5)	30 – 80 (2.0 – 5.5)	30 – 80 (2.0 – 5.5)	30 – 80 (2.0 – 5.5)	30 – 80 (2.0 – 5.5)
Maximum pressure, psi (bar)	80 (5.5)	80 (5.5)	80 (5.5)	80 (5.5)	80 (5.5)

Table 8

## Chemical Injection Supply System

	<h3>WARNING</h3>
<p><b>Wear eye and hand protection when handling chemicals; always avoid direct contact with raw chemicals. Read the manufacturer's directions for accidental contact before handling chemicals. Ensure an eye-rinse facility and an emergency shower are within easy reach. Check at regular intervals for chemical leaks.</b></p>	
<small>SW016</small>	

Undiluted chemical dripping can damage the washer-extractor. Therefore, all chemical supply dispenser pumps should be mounted below the washer's injection point. All dispenser tubing should also run below the injection point. Loops do not prevent drips if these instructions are not followed. Failure to follow these instructions could damage the machine and void the warranty. *Figure 18* shows a typical Chemical Injection Supply System.

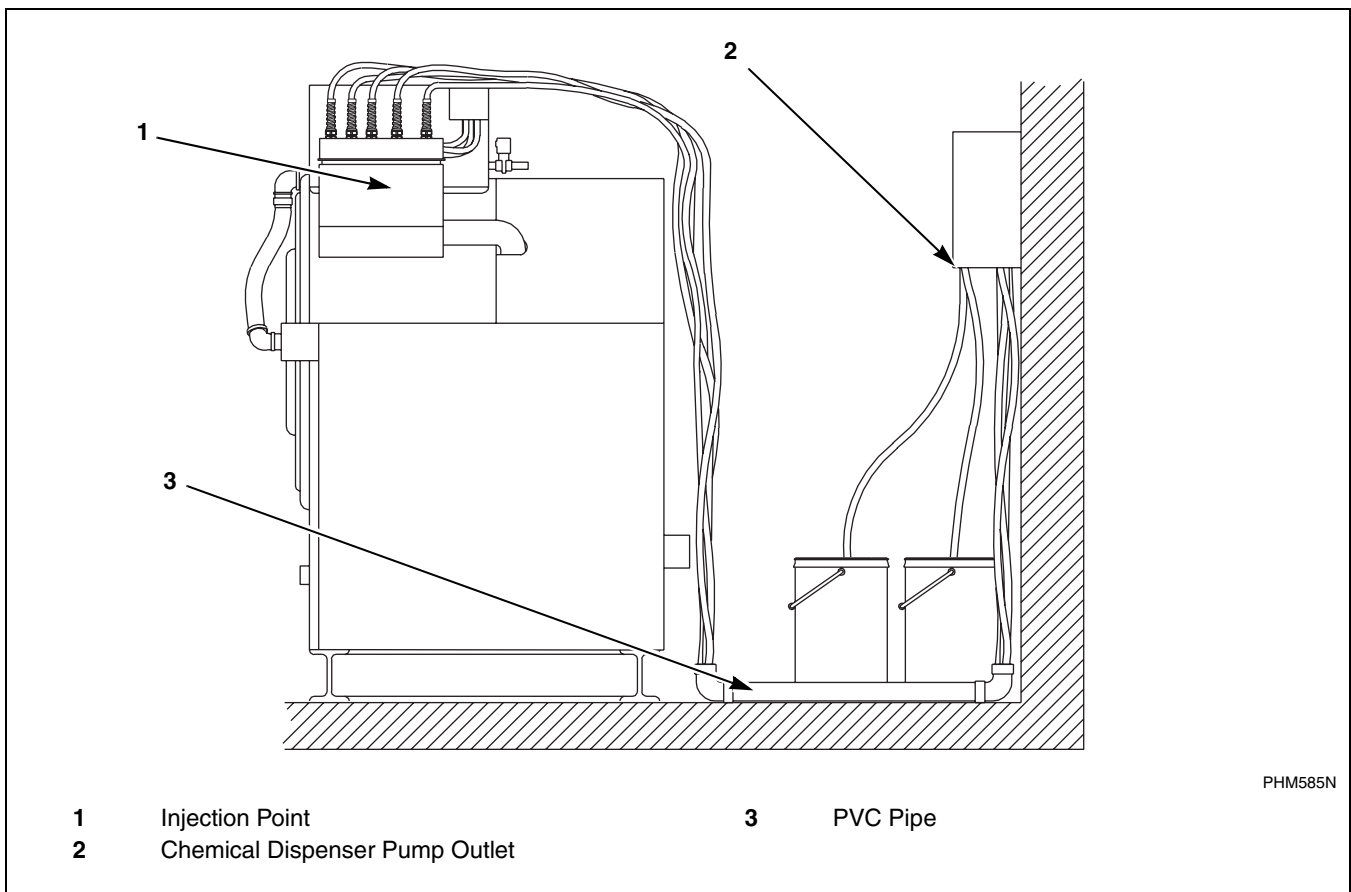


Figure 18

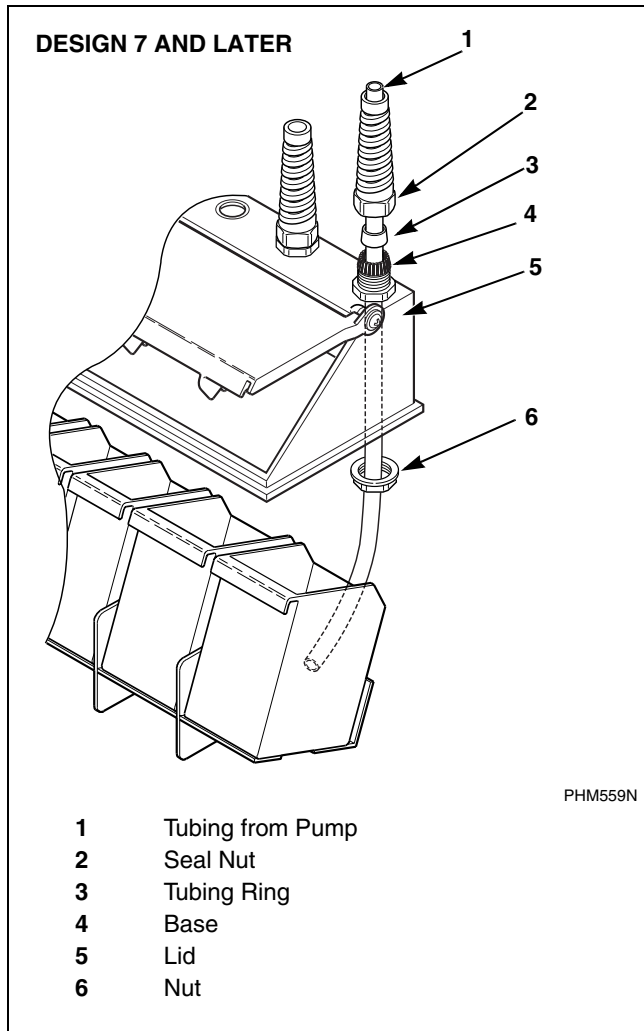


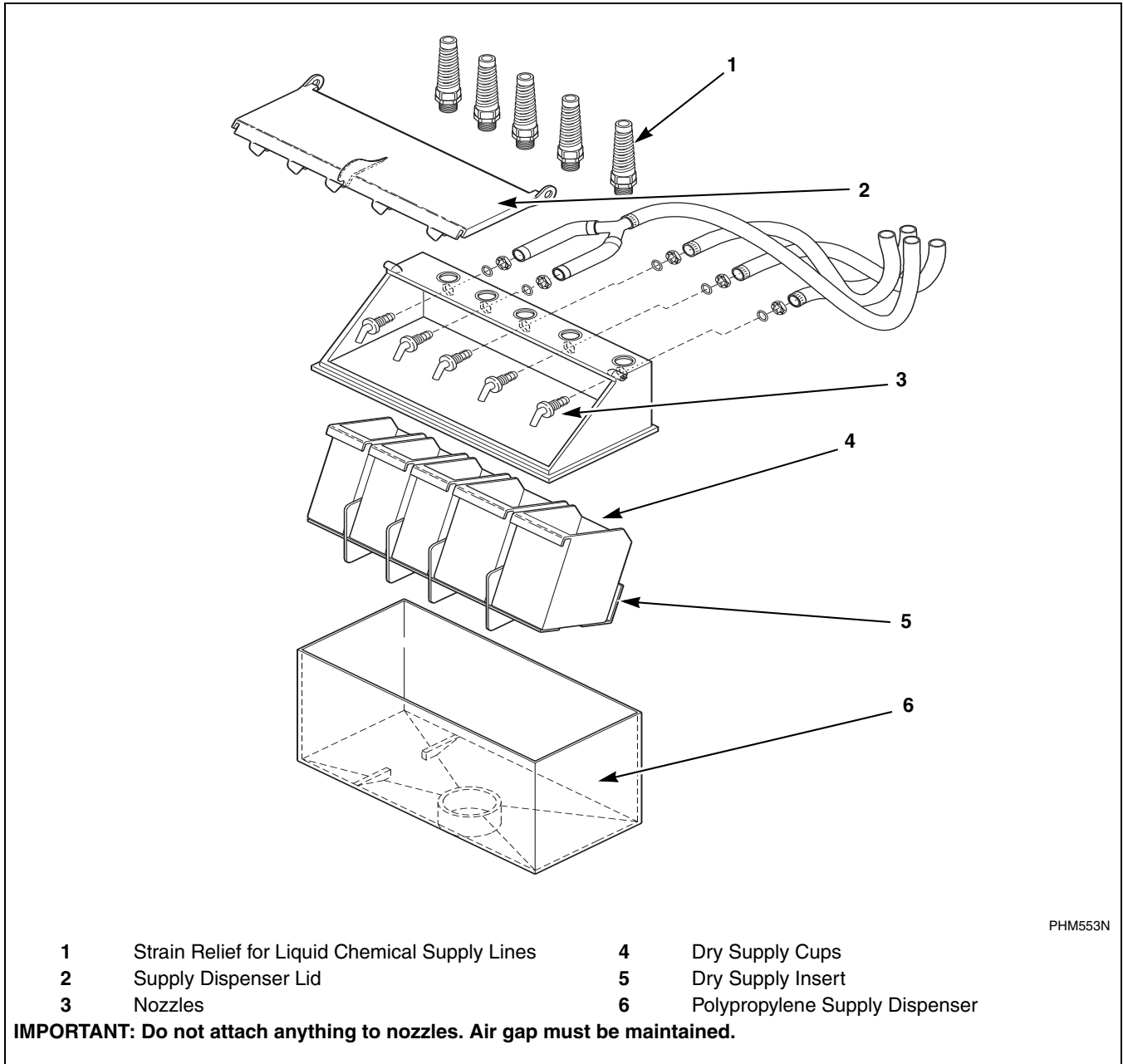
Figure 19

*Connecting External Liquid Supplies to the Washer-Extractor*

1. Remove knockout from supply dispenser. Refer to *Figure 19*. Plugs are assembled inside the tubing ring.
2. Install PG connector in hole with strain reliefs, included in the seal nut.
3. Insert tubes through PG base. Do not remove cups. Tube should extend into the plastic cup, with the exception of the softener tube, which should be routed to the outside of the cup.
4. Tighten the seal nut to prevent tubing from escaping the assembly.
5. Before operating machine, confirm lid is completely closed.

Do not attempt to make chemical injection electrical connections to points other than those provided specifically for that purpose by the factory.

<b>Chemical Injection Supply System</b>	
Number of dry supply compartments	5
Number of liquid supply connections	5
Liquid supply connection size, in (mm)	0.63 (15.9)



PHM553N

Figure 20


## Specifications and Dimensions

The terminal strip that furnishes the supply output signal for the chemical injection supply pumps, is located inside the control module at the rear. Access is through the rear panel of the module.

Terminals **SUPPLY 1** through **SUPPLY 9** and common provide 200 – 240VAC fused at 500mA. These terminals may be used to provide signals to the chemical injection system but must not be used to provide power to the pump. Do not attempt to increase fuse rating as this may cause damage to the washer-extractor's circuitry.

An external chemical injection system requiring 200 – 240VAC can be powered through **LINE 1** and **LINE 2** on the external supply terminal strip on UWPVQ, PVT and PVX models. Any chemical injection system used with UWPVN and UWPVP models must be powered by a separate external power source.

**Any injection system pump which requires 110VAC must be powered by a separate external power source.**

	<b>CAUTION</b>
<p><b>Attempting to obtain 110VAC by using L1 or L2 with the common may damage laundry machine circuitry and/or the chemical injection system. Using a 240VAC power wire in the washer-extractor and an earth ground to obtain 110VAC could cause microprocessor problems.</b></p>	
<small>SW028</small>	

Consult the chemical injection supply system instructions for operational details.



Designs 1-4

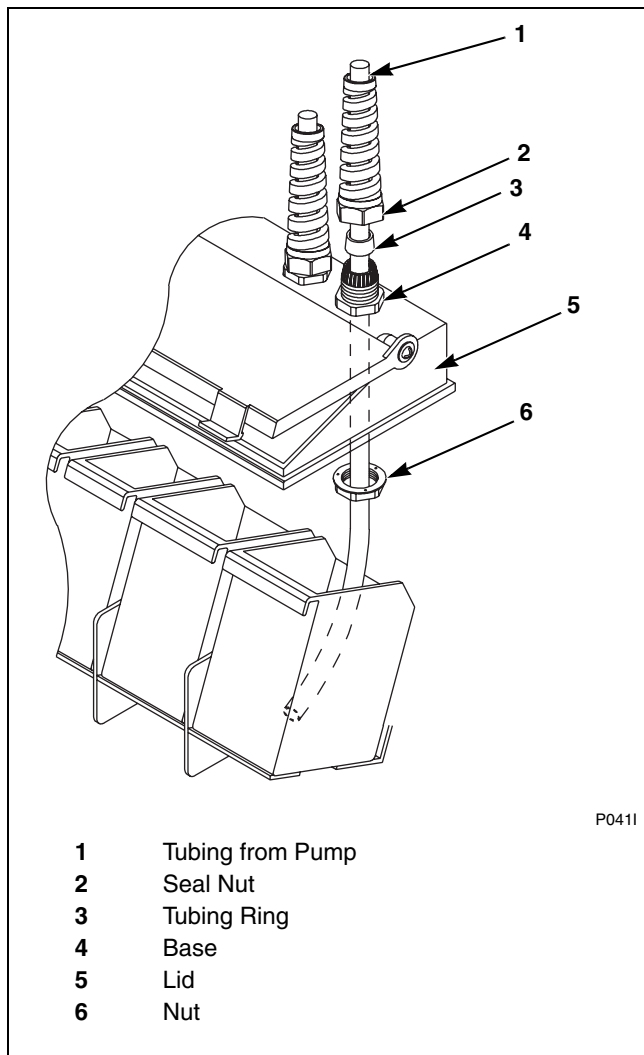


Figure 21

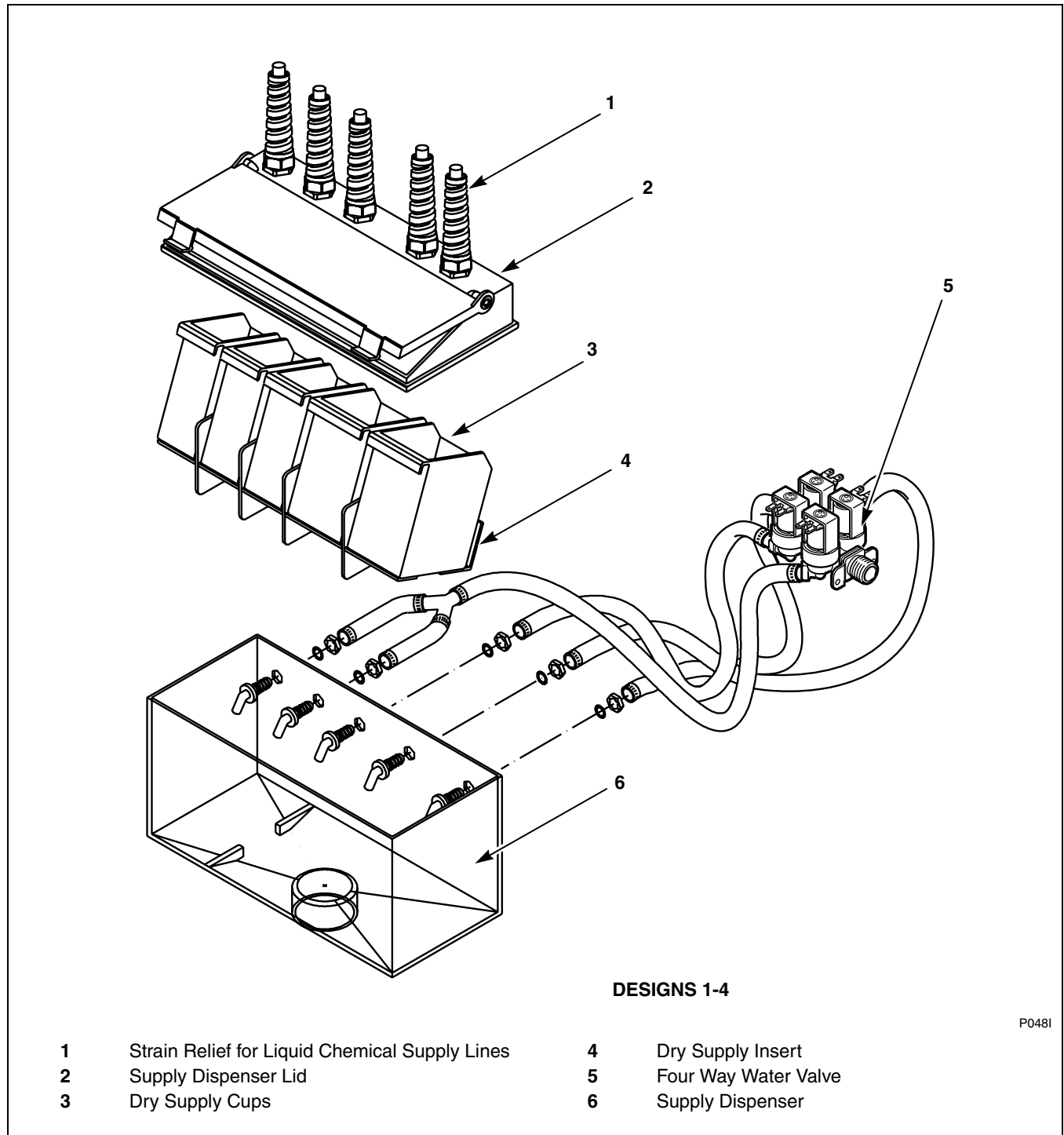
*Connecting External Liquid Supplies to the Washer-Extractor*

1. Remove plugs from base. Refer to *Figure 21*. Plugs are assembled inside the tubing ring.
2. Install strain reliefs, included in the seal nut.
3. Insert tubes through base. Do not remove cups. Tube should extend into the plastic cup, with the exception of the softener tube, which should be routed to the outside of the cup.
4. Tighten the seal nut to prevent tubing from escaping the assembly.
5. Before operating machine, confirm lid is completely closed.

Do not attempt to make chemical injection electrical connections to points other than those provided specifically for that purpose by the factory.

<b>Chemical Injection Supply System</b>	
Number of dry supply compartments	5
Number of liquid supply connections	5
Liquid supply connection size, in (mm)	0.63 (15.9)

## Specifications and Dimensions



P048I


Figure 22

## Premium Wet Clean Module

Refer to installation instructions provided with Premium Wet Clean Module for installation instructions.

**NOTE: Pump motor is prewired for 200 – 240V input. Motor must be rewired for 380V or greater input.**

**NOTE: All power *must* be removed from the washer-extractor before the Premium Wet Clean Module installation instructions are executed.**

	<b>WARNING</b>
<b>Lock out the main power panel and lock out the power supply to the control box before attempting any service procedures.</b>	
<small>SW007</small>	

## Free Manuals Download Website

<http://myh66.com>

<http://usermanuals.us>

<http://www.somanuals.com>

<http://www.4manuals.cc>

<http://www.manual-lib.com>

<http://www.404manual.com>

<http://www.luxmanual.com>

<http://aubethermostatmanual.com>

Golf course search by state

<http://golfingnear.com>

Email search by domain

<http://emailbydomain.com>

Auto manuals search

<http://auto.somanuals.com>

TV manuals search

<http://tv.somanuals.com>