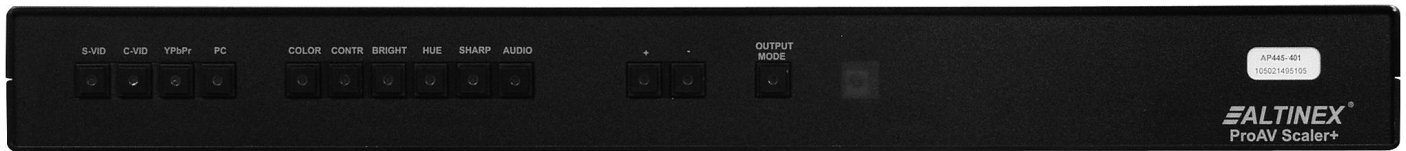


SPECIAL APPLICATION



MANUAL PART NUMBER: 400-0422-001

AP445-401

PRO AV VIDEO SCALER+ WITH STEREO AUDIO USER'S GUIDE

ALTINEX

SIGNAL
MANAGEMENT
SOLUTIONS

Tel: 714-990-2300 • Toll-Free: 1-800-ALTINEX • FAX: 714-990-3303 • E-mail: solutions@altinex.com • Web: www.altinex.com

TABLE OF CONTENTS

	Page
PRECAUTIONS / SAFETY WARNINGS	2
GENERAL.....	2
RACK-MOUNTING SAFETY GUIDELINES.....	2
INSTALLATION	2
CLEANING.....	2
FCC / CE NOTICE.....	2
ABOUT YOUR AP445-401	3
TECHNICAL SPECIFICATIONS	3
DESCRIPTION OF AP445-401	4
APPLICATION DIAGRAM	5
DIAGRAM 1: TYPICAL CONFIGURATION	5
DIAGRAM 2: INTERNAL VIEW	6
INSTALLING YOUR AP445-401	7
OPERATION.....	7
FRONT PANEL OPERATION	7
RS-232 CONTROL.....	8
DESCRIPTION OF COMMANDS	8
SUMMARY OF COMMANDS	15
TROUBLESHOOTING GUIDE.....	15
NO RESPONSE FROM PANEL	15
NO DISPLAY.....	15
NO SOUND.....	16
ALTINEX POLICY.....	16
LIMITED WARRANTY/RETURN POLICY	16
CONTACT INFORMATION	16

PRECAUTIONS / SAFETY WARNINGS 1

Please read this manual carefully before using your **AP445-401**. Keep this manual handy for future reference. These safety instructions are to ensure the long life of your **AP445-401** and to prevent fire and shock hazard. Please read them carefully and heed all warnings.

1.1 GENERAL

- Do not open the unit or power supply case, there are high-voltage components inside.
- There are no user serviceable parts inside. Qualified ALTINEX service personnel must perform all service on the **AP445-401**.

1.2. RACK-MOUNTING SAFETY GUIDELINES

- The maximum operating ambient temperature for this unit is 35°C.
- Never restrict the airflow through the devices fan or vents.
- Distribute units evenly inside the rack. Hazardous conditions may be created by an uneven weight distribution.
- Connect the unit to a properly rated supply circuit.
- Reliable Grounding should be maintained.

1.2 INSTALLATION

- For best results, place the **AP445-401** on a flat, leveled surface in a dry area away from dust and moisture.
- To prevent fire or shock, do not expose this unit to rain or moisture. Do not place the **AP445-401** in direct sunlight, near heaters or heat radiating appliances, or near any liquid. Exposure to direct sunlight, smoke, or steam can harm internal components.
- Handle the **AP445-401** carefully. Dropping or jarring can damage the unit.
- Do not pull the cables that are attached to the **AP445-401**.

- Do not place heavy objects on top of the **AP445-401**.
- If the **AP445-401** is not used for an extended period, disconnect the adapter from the wall to avoid fire, shock, and loss of power.

1.3 CLEANING

- Unplug the **AP445-401** adapter before cleaning.
- Clean only with a dry cloth. Never use strong detergents or solvents, such as alcohol or thinner. Do not use a wet cloth or water to clean the unit. Do not open the unit to clean.

1.4 FCC / CE NOTICE

- This device complies with part 15 of the FCC Rules. Operation is subject to the following two conditions: (1) This device may not cause harmful interference, and (2) this device must accept any interference received, including interference that may cause undesired operation.
- This equipment has been tested and found to comply with the limits for a Class A digital device, pursuant to Part 15 of the FCC Rules. These limits are designed to provide reasonable protection against harmful interference when the equipment is operated in a commercial environment. This equipment generates, uses, and can radiate radio frequency energy and, if not installed and used in accordance with the instruction manual, may cause harmful interference to radio communications. Operation of this equipment in a residential area is likely to cause harmful interference in which case the user will be required to correct the interference at their expense.
- Any changes or modifications to the unit not expressly approved by ALTINEX, Inc. could void the user's authority to operate the equipment.

ABOUT YOUR AP445-401

2

AP445-401

Pro AV Scaler+

The **AP445-401** ProAVScaler+ converts Composite Video, S-Video, and Component Video signals into a variety of high-resolution Computer video or Component video signals. In addition to video, the **AP445-401** has four stereo audio inputs and both balanced and unbalanced stereo outputs.

The **AP445-401** automatically detects and accepts either NTSC or PAL video standards for Composite and S-Video signals. The PC BYPASS computer signal may be switched to the output via a pass-through input. The Component video signals are scalable to the following output resolutions: 480p, 567p, 720p or 1080i. The Composite and S-Video signals may be scaled to VGA through SXGA resolution. Additionally, many control features allow the user access to adjust picture brightness, contrast, color, sharpness and hue.

Any audio source may be selected and output to a balanced and unbalanced stereo output. The balanced output offers volume control and is adjustable over 16 steps of gain, whereas the unbalanced output is set to fixed level output.

The **AP445-401** may be controlled either using front panel buttons or via a standard RS-232 port. Actual control may be accomplished through a computer control system or any other device capable of sending ASCII control commands via a RS-232 port. Available commands allow audio and video input selection, image control/adjustment and volume control. In addition, the **AP445-401** incorporates noise reduction filters and sophisticated 3D comb filtering.

The HelpInside™ feature allows programmers to have access to command structures and control of the **AP445-401** from any terminal. This technology provides easier than ever control of the **AP445-401** ProAVScaler+ with simple keyboard commands. No typing of long keyboard strings is necessary.

TECHNICAL SPECIFICATIONS

3

FEATURES/DESCRIPTION	AP445-401
GENERAL	
Input Connectors	
Video, PC BYPASS	(1) 15-pin HD female
Video, S-Video	(1) 4-pin Mini-DIN
Video, Composite Video	(1) BNC female
Video, YPbPr	(3) BNC female
Audio, Stereo	(4) 3.5mm female
RS-232	(1) 9-pin HD female
Output Connectors	
Video, RGBHV/YPbPr	(1)15-pin HD Female
Audio, Stereo, Unbalanced	(1) 3.5mm female
Audio, Stereo, Balanced	(1) 5-pin terminal block
Compatibility	Composite Video (NTSC/PAL)
	S-Video (NTSC/PAL)
	Component Video
	PC BYPASS
Resolution Compatibility	
PC	VGA 640x480
	WVGA 852x480
	SVGA 800x600
	XGA 1024x768
	WXGA 1280x768
	SXGA 1280x1024
HDTV	480p, 567p, 720p, 1080i

Table 1. **AP445-401** General

MECHANICAL	AP445-401
Material	0.08"AL
Finish	Black
Height (1U)	1.75in (44.5mm)
Width (Full Rack Wide)	17.0in (431.8mm)
Depth	9.0in (228.6mm)
Weight	3.0 lb (1.36 kg)
Connector Panel	Black
T° Operating	10°C to 35°C
T° Maximum	0°C to 50°C
Humidity	90% non-condensing
MTBF (calc.)	40,000 hrs

Table 2. **AP445-401** Mechanical

SPECIAL APPLICATION

ELECTRICAL	AP445-401
Inputs	
Video, Composite	NTSC/PAL, 1Vp-p, 75 ohm
Video, S-Video	1Vp-p, 75 ohm
Video, (YCbCr)	Y = 1Vp-p, 75 ohm Cb and Cr = 0.7Vp-p, 75 ohm
Video, PC	RGB (0.7Vp-p), HV (TTL)
Audio, Stereo	0dBu 10 Kohm
Outputs	
Video, Mode	RGBHV or YPbPr
Video, Analog	0.7 V p-p max.
Video, Impedance	75 Ohms
Video, Sync	TTL (+/-)
Audio, Balanced	1Vp-p max
Audio, Unbalanced	1Vp-p max

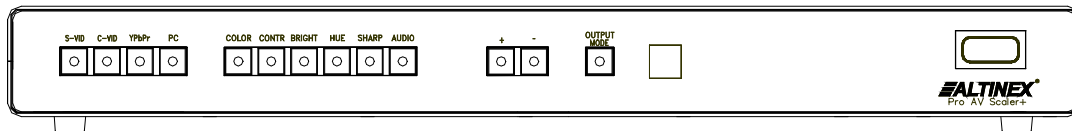
ELECTRICAL	AP445-401
Control	
Manual	Front Panel Keys
RS-232	Rear Panel 9-pin HD female
Infrared (IR), optional	IR remote control transmitter
Picture Adjustments	
Brightness	Contrast
Color	Sharpness
Hue	
Output Adjustments	
Aspect Ratio 4:3 or 16:9	
Digital Noise Reduction (NR)	
3D Comb Filter (VCR Mode)	
Power	100-240VAC, 50-60Hz

Table 3. AP445-401 Electrical

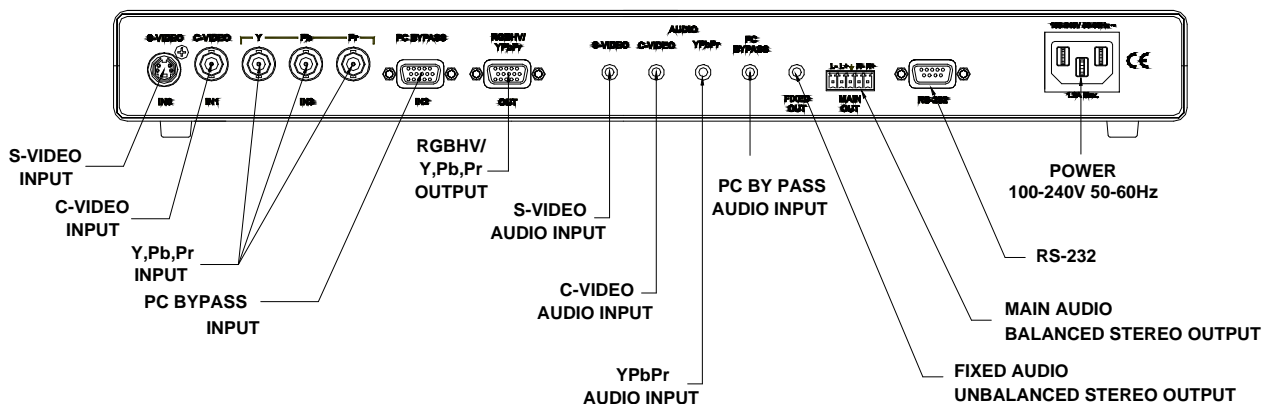
DESCRIPTION OF AP445-401

4

FRONT VIEW



REAR VIEW



SPECIAL APPLICATION

APPLICATION DIAGRAM

5

DIAGRAM 1: TYPICAL CONFIGURATION

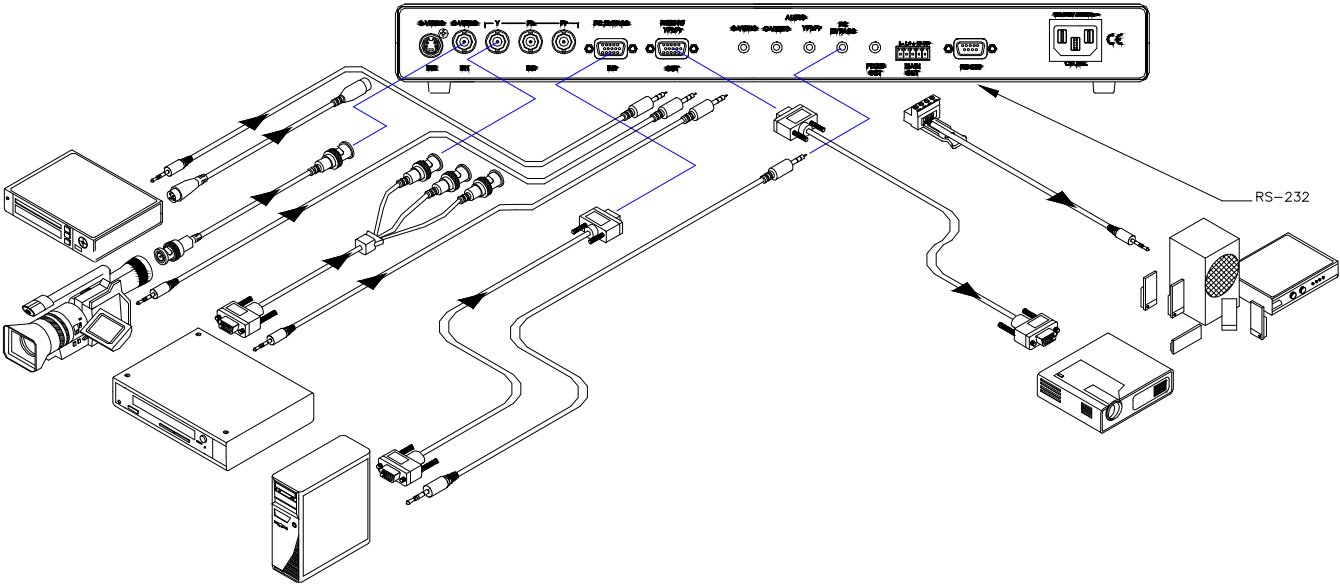
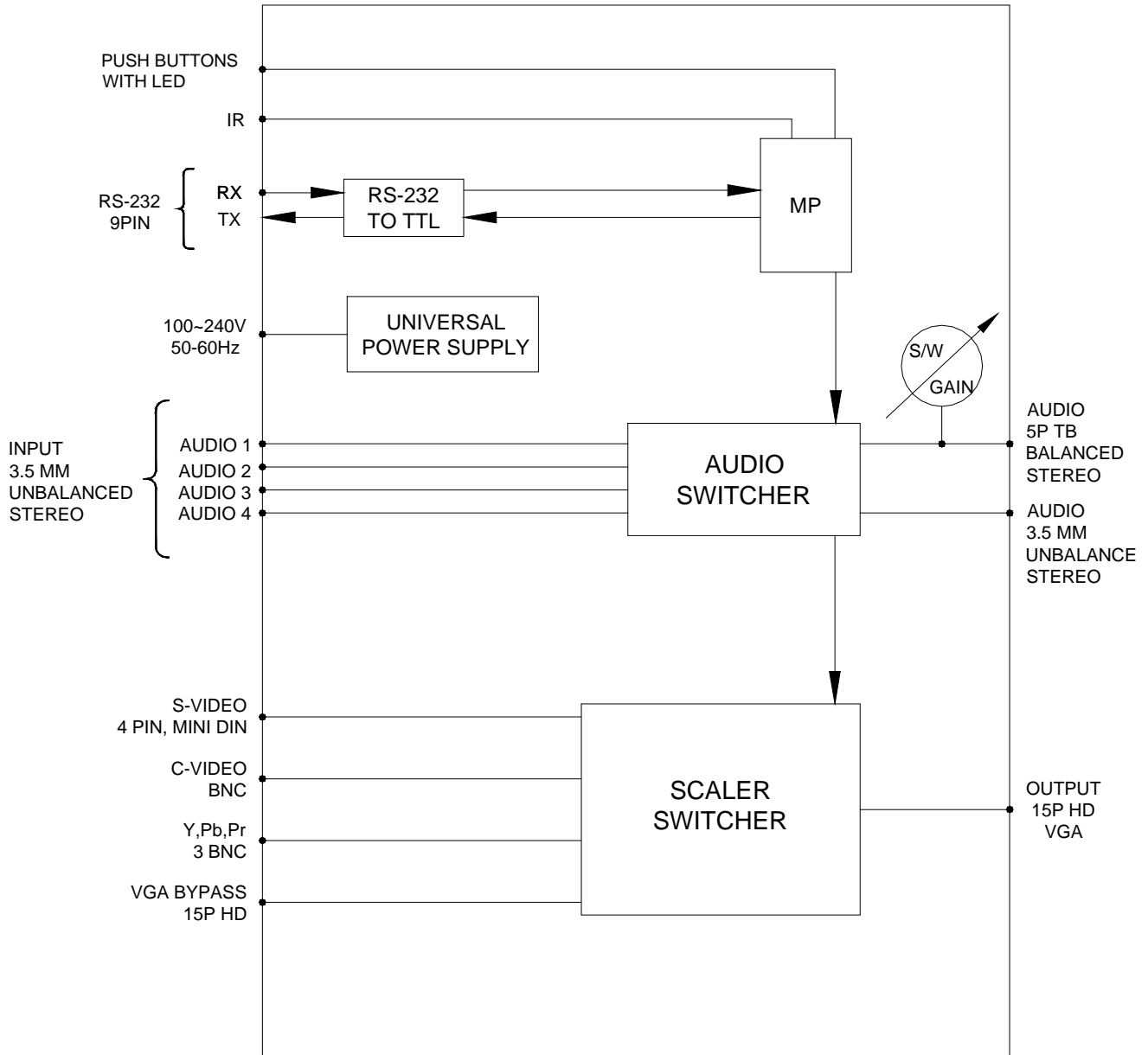


DIAGRAM 2: INTERNAL VIEW

AP445-401 BLOCK DIAGRAM



INSTALLING YOUR AP445-401

6

- Step 1.** Determine a good location for placing the **AP445-401**. For best results, choose a location that minimizes cable lengths.
- Step 2.** Connect a cable from each video source to its corresponding video input connector on the **AP445-401**. The Component and Composite video input connectors are BNC type. If using RCA cables, use the RCA to BNC adapters provided with the unit.
- Step 3.** Connect a cable from each audio source to its corresponding input. Take care to ensure the video and audio inputs match.
- Step 4.** Connect the video output connector of the **AP445-401** to the display device with a VGA type cable for RGBHV displays or a YPbPr cable for Component Video.
- Step 5.** Determine which audio output is to be used. Either the adjustable balanced stereo using the terminal block or the fixed unbalanced stereo using the 3.5mm jack.
- Step 6.** Connect the audio output connector of the **AP445-401** to the speakers or amplifier using the appropriate audio cable.
- Step 7.** Connect the **AP445-401** to AC power. Then unit is now operational.
- Step 8.** The default input selection is the S-Video port. In order to change the input to other than Composite Video, use the front panel buttons or RS-232 control.
- NOTE: RS-232 operation: Use AVSnap or other RS-232 communication software. Follow the instructions defined in section 7.3 for the IN command.
- Step 9.** Select the correct output resolution mode for the display device.
- Step 10.** Adjust the display properties for optimal image quality.

OPERATION

7

7.1 FRONT PANEL OPERATION

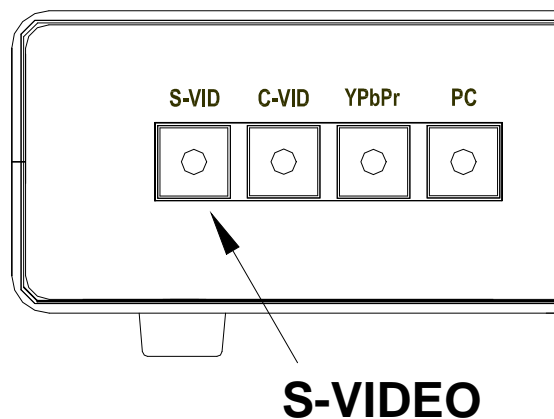
Front panel control is available using push buttons with LED indicators. The front panel may be used to select the input, adjust image properties, adjust the volume and select the output resolution.

The front panel buttons may be locked using RS-232 control. If pressing the buttons on the front panel has no effect, use RS-232 control to verify the front panel is not locked.

7.1.1 SELECTING THE INPUT

The control buttons for input selection are on the left hand side of the unit. Selecting the input will make that image available on the RGBHV/YPbPr Output.

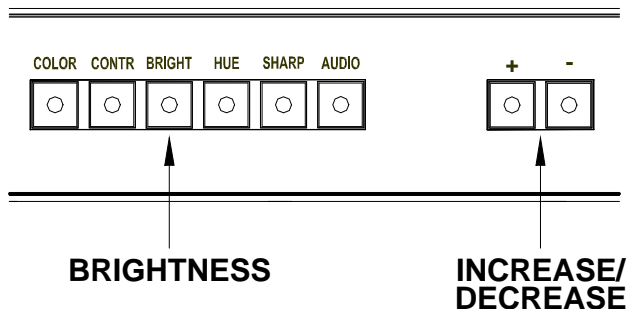
In order to make the input signal on the S-Video input available on the output, press the S-VID button. The input will be selected and the LED will turn on.



For example, press the S-VID button on the front panel to make the S-VID input connected to the rear of the unit active. The main RGBHV/YCbCr output will now display the image on the S-VID input.

7.1.2 MAKING PICTURE ADJUSTMENTS

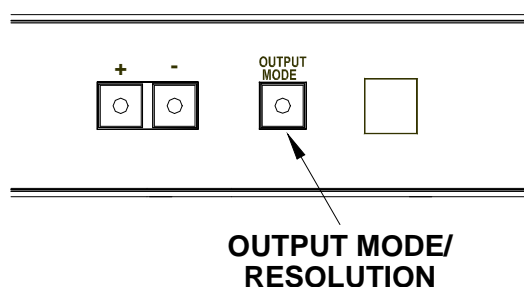
There are controls available for the following picture properties: color, contrast, brightness, hue and sharpness. Pressing one of these buttons will make that property the active control. Then, use the + and – buttons to adjust the image.



For example, press the BRIGHT button to make the brightness setting the active function. Then use the plus and minus buttons to increase or decrease the brightness level as necessary.

7.1.3 CHANGING THE OUTPUT RESOLUTION

The output resolution is controlled using the OUTPUT MODE button. Each time the button is pressed, the next resolution is selected. Repeatedly pressing the button will cycle through all the available resolutions.



7.1.4 ADJUSTING THE VOLUME

The audio gain is controlled just like the video picture adjustments. First, press the AUDIO button on the panel. Then, use the plus and minus buttons to adjust the volume.

7.2 RS-232 CONTROL

The **AP445-401** has many advanced remote control capabilities, which are accessible through standard RS-232 communication. The actual controlling can be accomplished through a computer control system or any other device capable of sending RS-232 commands.

7.2.1 RS-232 INTERFACE

The RS-232 commands, for the **AP445-401**, are in a simple ASCII character format.

1. Square brackets “[]” are part of the command.
2. Use uppercase letters for all commands.

After processing a command, an [OK] or [ERR] will be returned as feedback if "F" is included at the end of a command string.

Commands ending in "S" will be saved into memory. Commands not ending in "S" will still be executed but will not be restored when the system is reset or powered off then on.

7.3 DESCRIPTION OF COMMANDS

The default unit ID is zero, but may be set to a value from 0 to 99. In single unit operation, commands may be sent without the unit identifier. Unit ID 0 should be used for single unit operation.

If multiple **AP445-401**'s are connected to the same communication port, the units may be controlled two ways. In order to control all the units the same, commands may be sent without the unit identifier. Commands sent without the unit identifier will be executed by all **AP445-401**'s.

Individual control is accomplished by first assigning each unit a unique ID number. Then each unit may be controlled individually by including the unit identifier at the end of each command string.

Example:

[VER]: Executed by all VP445-103's connected.

[VERC1]: For Unit ID 1 Only

[VERC2]: For Unit ID 2 Only
etc...

1. [SIDn]

This command sets the ID number of the unit. The default unit ID is zero.

Command Format: [SIDn]

n = Unit ID (n = # from 0 to 99)

Example:

Send the command [SID1] to the system. The unit ID is now one, and "C1" must be included at the end of each command line, as in "[VERC1]".

2. [RSI]

This command resets the unit ID to the default value of zero.

Command Format: [RSI]

Example:

Send the command [RSI] to the system and the new ID will be zero. As unit ID zero, commands may be sent either with or without the unit identifier "C0".

3. [RSN]

This command reads and then displays the ID number of the unit.

Command Format: [RSN]

Example:

The **AP445-401** was set to an ID value of 3. Send the command [RSN] and the system will return the following feedback:

[3]

4. [VER]

This command displays the firmware version and model number of the **AP445-401**.

Command Format: [VERCi]

Ci = Unit ID (i = # from 0 to 99)

Example:

Send the command [VER] and receive the following feedback:

[AP445-401 690-0218-001]

AP445-401 = Model Number

690-0218-001 = Firmware Version

5. [C]

This command displays the status of the **AP445-401**.

Command Format: [Ci]

Ci = Unit ID (i = # from 0 to 99)

Example 1:

Send the command [C1] and receive feedback showing the status of unit ID 1.

Example 2:

Send the command [C0] and receive feedback showing the status of the unit connected to the RS-232 port regardless of its unit ID.

6. [CnS]

This command displays the status of the **AP445-401** with a specified unit ID and saves the settings.

Command Format: [CnS]

n = Unit ID (n = # from 0 to 99)

S = Save

Example:

The **AP445-401** was previously defined as ID 3 using the [SID] command. Now, send the command [C3S] to receive the status of the unit and save its settings. These settings will be recalled when the same input is selected using the [INR] command.

7. [STAT]

This command displays the status of the **AP445-401**.

Command Format: [STAT] or [STATCi]

Ci = Unit ID (i = # from 0 to 99)

Example 1:

Send the command [STATC1] and receive feedback showing the status of unit ID 1.

Example 2:

Send the command [STAT] and receive feedback showing the status of the unit connected to the RS-232 port regardless of its unit ID.

8. [STATS]

This command displays the status of the **AP445-401** and saves the settings in memory.

Command Format: [STATS] or [STATCiS]

Example:

Send the command [STATS] and receive feedback as in the previous example, but in this case the settings will be saved and recalled when the same input is selected using the [INR] command.

9. [CLR]

Reset all parameters to factory defaults.

Command Format: [CLRCi]

Ci = Unit ID (i = # from 0 to 99)

Example:

Send the command [CLR] to reset the unit to the factory defaults. After reset, the status will be similar to the following depending on the input selected:

Input: S-Video	<i>Default</i>
Output Resolution: 640x480	<i>Last Saved</i>
Brightness: 24	<i>Last Saved</i>
Contrast: 40	<i>Last Saved</i>
Color: 24	<i>Last Saved</i>
Sharpness: 10	<i>Last Saved</i>
Hue: 24	<i>Last Saved</i>
Audio Volume: 32	<i>Default</i>
VCR Mode	<i>Default</i>
NR ON	<i>Default</i>
Aspect Ration 4:3	<i>Default</i>
Freeze OFF	<i>Default</i>
Front Panel Unlocked	<i>Last Saved</i>

10. [IN]

This command selects the input port on the unit to be used as the source.

Command Format: [INyCi]

y = Input (y = # from 0 to 3)

- 0 = S-Video
- 1 = Composite Video
- 2 = PC Bypass
- 3 = YPbPr Video

Ci = Unit ID (i = # from 0 to 99)

Example:

Send the command [IN0] to select the S- Video input.

11. [INR]

This command selects the input port on the unit to be used as the source and recalls the saved settings.

Command Format: [INyRCi]

y = Resolution (y = # from 0 to 3)

- 0 = S-Video
- 1 = Composite Video
- 2 = PC Bypass
- 3 = YPbPr Video

R = Recall image property settings

Ci = Unit ID (i = # from 0 to 99)

Example:

Send the command [INOR] to select the S-Video input and recall the settings saved for S-Video input. For example, any changes made to the brightness, hue etc... that were saved are recalled.

12. [MODER]

This command sets the resolution of the video output.

Command Format: [MODERnCi]

n = Resolution (n = # from 0 to 9)

0	= VGA	640x480
1	= 480p	
2	= SVGA	800x600
3	= XGA	1024x768
4	= WXGA	1280x768
5	= SXGA	1280x1024
6	= 567p	
7	= 720p	
8	= 1080i	
9	= WVGA	852x480

Ci = Unit ID (i = # from 0 to 99)

Example:

Send the command [MODER2] to set the output resolution of the unit to SVGA 800x600.

13. [MUTE]

This command is used to turn the on screen display feature on or off. If the feature is on, setting changes for brightness, resolution etc... will not be displayed on the screen.

Command Format: [MUTExCi]

x = Display (1 = OFF, 0 = ON)

Ci = Unit ID (i = # from 0 to 99)

Example:

Disable the on-screen display by sending the command [MUTE0].

14. [VCR]

This command is used to toggle the 3D Comb Filter, Y/C Separator mode between VCR and normal.

Command Format: [VCRCi]

Ci = Unit ID (i = # from 0 to 99)

Example:

If the unit is in normal mode, send the command [VCR] to enable VCR mode. Send the command, [VCR], again to return to normal mode.

15. [BRIGHTn]

This command sets the brightness level to an absolute value.

Command Format: [BRIGHTyyCi]

yy = Level (yy = # from 00 to 48, default=24)

Ci = Unit ID (i = # from 0 to 99)

Example:

Send the command [BRIGHT12] to set the output brightness to 12.

16. [BRIGHT]

This command displays the current brightness level and makes the brightness function active for adjustments. See the [+] and [-] commands for adjustment details.

Command Format: [BRIGHTCi]

Ci = Unit ID (i = # from 0 to 99)

Example:

Send the command [BRIGHT]. The unit will display the current brightness level, for example "[24]". The brightness feature is now active and the [+] and [-] commands may be used for adjustment.

17. [CONTRn]

This command sets the contrast level to an absolute value.

Command Format: [CONTRyyCi]

yy = Level (yy = # from 00 to 48, default=40)

Ci = Unit ID (i = # from 0 to 99)

Example:

Send the command [CONTR20] to set the output contrast to 20.

18. [CONTR]

This command displays the current contrast level and makes the contrast function active for adjustments. See the [+] and [-] commands for adjustment details.

Command Format: [CONTRCi]

Ci = Unit ID (i = # from 0 to 99)

Example:

Send the command [CONTR]. The unit will display the current contrast level, for example "[20]". The contrast feature is now active and the [+] and [-] commands may be used for adjustment.

19. [COLORn]

This command sets the color level to an absolute value.

Command Format: [COLORyyCi]

yy = Level (yy = # from 00 to 48, default=24)

Ci = Unit ID (i = # from 0 to 99)

Example:

Send the command [COLOR25] to set the output color to 25.

20. [COLOR]

This command displays the current color level and makes the color function active for adjustments. See the [+] and [-] commands for adjustment details.

Command Format: [COLORCi]

Ci = Unit ID (i = # from 0 to 99)

Example:

Send the command [COLOR]. The unit will display the current color level, for example "[25]". The color feature is now active and the [+] and [-] commands may be used for adjustment.

21. [SHARPn]

This command sets the sharpness level to an absolute value.

Command Format: [SHARPyyCi]

yy = Level (yy = # from 00 to 48, default=10)

Ci = Unit ID (i = # from 0 to 99)

Example:

Send the command [SHARP20] to set the output sharpness to 20.

22. [SHARP]

This command displays the current sharpness level and makes the sharpness function active for adjustments. See the [+] and [-] commands for adjustment details.

Command Format: [SHARPCi]

Ci = Unit ID (i = # from 0 to 99)

Example:

Send the command [SHARP]. The unit will display the current sharpness level, for example "[20]". The sharpness feature is now active and the [+] and [-] commands may be used for adjustment.

23. [HUEn]

This command sets the hue level to an absolute value.

NOTE: The Hue adjustment does not apply to Component Video.

Command Format: [HUEyyCi]

yy = Level (yy = # from 00 to 48, default=24)

Ci = Unit ID (i = # from 0 to 99)

Example:

Send the command [HUE12] to set the output hue to 12.

24. [HUE]

This command displays the current hue level and makes the hue function active for adjustments. See the [+] and [-] commands for adjustment details.

NOTE: The Hue adjustment does not apply to Component Video.

Command Format: [HUECi]

Ci = Unit ID (i = # from 0 to 99)

Example:

Send the command [HUE]. The unit will display the current hue level, for example “[12]”. The hue feature is now active. The [+] and [-] commands may be used to adjust the hue.

25. [VLOA]

This command sets the output audio level to an absolute value. This value will apply only to the audio output of the selected input. Each input type has its own audio level setting.

Command Format: [VLOAnCi]

n = Level (n = # from 00 to 32)

Ci = Unit ID (i = # from 0 to 99)

Example:

Send the command [VLOA32]. This will set the output volume to maximum.

26. [SEL]

This command displays the current audio level setting and makes the audio function active for adjustment using the [+] and [-] commands. Each input selection has its own audio gain level.

Command Format: [SELCi]

Ci = Unit ID (i = # from 0 to 99)

Example:

The **AP445-401** has the S-Video input selected and the gain level is set to the maximum level of 32. Send the command [SEL] and the unit will display “[32]” and make the gain adjustment active. The [+] and [-] commands may now be used to adjust the audio level. The audio level for other inputs will not change.

27. [MODEN]

This command turns the Digital Noise Reduction feature on and off.

Command Format: [MODENpCi]

p = Noise Reduction (0 = OFF and 1 = ON)

Ci = Unit ID (i = # from 0 to 99)

Example:

Send the command [MODEN1] to turn on digital noise reduction for the **AP445-401**.

28. [MODEA]

This command sets the aspect ratio between wide and standard formats.

Command Format: [MODEAmCi]

m = Aspect Ratio (m = 1 or 2)

1 = Wide 16:9

2 = Standard 4:3

Ci = Unit ID (i = # from 0 to 99)

Example:

Send the command [MODEA1] to set the aspect ratio to wide format on the **AP445-401**.

29. [FREEZ]

This command is used to freeze the image displayed on the display.

Command Format: [FREEZpCi]

p = Freeze value (0 = OFF and 1 = ON)

Ci = Unit ID (i = # from 0 to 99)

Example:

Send the command [FREEZ1] to freeze the image generated by the **AP445-401**.

30. [LOCKFP]

This command locks or unlocks the front panel buttons. If locked, pressing the buttons on the front panel will have no effect on the **AP445-401** settings.

Command Format: [LOCKFPpCi]

p = Lock value (0 = OFF and 1 = ON)

Ci = Unit ID (i = # from 0 to 99)

Example:

Send the command [LOCKFP1] to lock the front panel of the **AP445-401**.

31. [+]

This command increments a selected property to be adjusted from the keyboard or front panel.

Command Format: [+] or [+k]

[+] = Increment level by one-step

[+k] = Increment level by 'k' steps

Example:

Select the brightness command for adjustment. The current brightness level is 24, but it is not the optimal value. After sending the following commands, an optimum level of 30 is obtained:

1. [BRIGHT]

The current brightness level is 24.

2. [+++++] or [+6]

The level is now 30 and no further adjustments are required.

32. [-]

This command decrements a selected property to be adjusted from the keyboard or front panel.

Command Format: [-] or [-k]

[-] = Decrement level by one-step

[-k] = Decrement level by 'k' steps

Example:

Select the brightness command for adjustment. The current brightness level is 24, but it is not the optimal value. After sending the following commands, an optimum level of 20 is obtained:

1. [BRIGHT]

The current brightness level is 24.

2. [-----] or [-4]

The level is now 20 and no further adjustments are required.

33. [...S]

This command allows a setting from a single command to be saved at one time. Use this command to save a single property where it is undesirable to save all the current settings.

Command Format: [...S]

S = Save

Example:

Set the brightness level to 20 and save this setting at the same time. In order to do this, send the command [BRIGHT20S].

34. [HELP]

This command displays information available for the Multi-Tasker interface commands.

Command Format: [HELPCi]

Ci = Unit ID (i = # from 0 to 99)

Example:

In order to display the RS-232 commands available for the **AP445-401**, send the command [HELP]. The commands, along with a brief description, will be displayed in the terminal window.

7.5 SUMMARY OF COMMANDS

- 1) [SIDn] Set ID number of the unit.
- 2) [RSI] Reset ID of the unit to 0.
- 3) [RSN] Return unit ID number.
- 4) [VER] Display firmware version.
- 5) [C] Display current status.
- 6) [CnS] Display/save current status.
- 7) [STAT] Display current status.
- 8) [STATS] Display/save current status.
- 9) [CLR] Retrieve default settings.
- 10) [IN] Select input.
- 11) [INR] Select input/recall settings.
- 12) [MODER] Select output resolution.
- 13) [MUTE] On-screen display ON/OFF.
- 14) [VCR] Toggle VCR/Standard mode.
- 15) [BRIGHTn] Set Brightness level.
- 16) [BRIGHT] Display/select Brightness.
- 17) [CONTRn] Set Contrast level.
- 18) [CONTR] Display/select Contrast.
- 19) [COLORn] Set Color level.
- 20) [COLOR] Display/select Color.
- 21) [SHARPn] Set Sharpness level.
- 22) [SHARP] Display/select Sharpness.
- 23) [HUEn] Set Hue level.
- 24) [HUE] Display/select Hue.
- 25) [VLOA] Set audio level.
- 26) [SEL] Adjust audio level.
- 27) [MODEN] Noise Reduction ON/OFF.
- 28) [MODEA] Aspect Ratio Wide/Standard.
- 29) [FREEZ] Freeze the displayed image
- 30) [LOCKFP] Lock front panel buttons.

- 31) [+] Increment by one.
- 32) [-] Decrement by one.
- 33) [...S] Save one parameter.
- 34) [HELP] Display RS-232 commands.

TROUBLESHOOTING GUIDE 8

We have carefully tested and have found no problems in the supplied **AP445-401**. However, we would like to offer suggestions for the following:

8.1 NO RESPONSE FROM PANEL

Cause 1: The front panel is locked.

Solution: Connect to the **AP445-401** using standard RS-232 communication. Check the status [STAT] and verify the front panel is "Unlocked". If there is still no response, please call Altinex at (714)-990-2300.

8.2 NO DISPLAY

Cause 1: The source has a problem.

Solution: Check the source and make sure that there is a signal present and all source connections are correct. If the source is working and there is still no display, see Cause 2.

Cause 2: The correct input is not selected.

Solution: Select the input type from the front panel or RS-232 bus. (See RS-232 accessible commands in Section 7). If no display is present, see Cause 3.

Cause 3: Cable connections are incorrect.

Solution: Make sure that cables are properly connected. Also, make sure that the continuity and wiring are good. If there is still no display present, see Cause 4.

Cause 4: The display has a problem.

Solution: Make sure the display has power and is turned on. If there is still no display, please call Altinex at (714)-990-2300.

8.3 NO SOUND

Cause 1: The source has a problem.

Solution: Check the source and make sure that it is working at an appropriate volume level and all source connections are correct. If the source is working and there is still no sound, see Cause 2.

Cause 2: The wrong input is selected.

Solution: Select the video input that corresponds to the audio input. If no sound is present, see Cause 3.

Cause 3: Cable connections are incorrect.

Solution: Make sure that the cables are connected properly. If the S-Video input is being used, make sure the audio source is connected to the S-Video audio input. Also, make sure that the continuity and wiring are good. If there is still no sound present, see Cause 4.

Cause 4: Destination amplifier has a problem.

Solution 1: Make sure that the destination amplifier is powered. If there is still no sound, see Solution 2

Solution 2: Set the volume of the destination amplifier to a reasonable level. If there is still no sound, call ALTINEX at (714) 990-2300.

ALTINEX POLICY

9

9.1 LIMITED WARRANTY/RETURN POLICY

Please see the Altinex website at www.altinex.com for details on warranty and return policy.

9.2 CONTACT INFORMATION

ALTINEX, INC

592 Apollo Street

Brea, CA 92821 USA

TEL: 714 990-2300

TOLL FREE: 1-800-ALTINEX

WEB: www.altinex.com

E-MAIL: solutions@altinex.com

Free Manuals Download Website

<http://myh66.com>

<http://usermanuals.us>

<http://www.somanuals.com>

<http://www.4manuals.cc>

<http://www.manual-lib.com>

<http://www.404manual.com>

<http://www.luxmanual.com>

<http://aubethermostatmanual.com>

Golf course search by state

<http://golfingnear.com>

Email search by domain

<http://emailbydomain.com>

Auto manuals search

<http://auto.somanuals.com>

TV manuals search

<http://tv.somanuals.com>