



MANUAL PART NUMBER: 400-0091-005

TNP500/502

Universal Tilt 'N Plug™ Interconnect Box

USER'S GUIDE

INTRODUCTION

Your purchase of the **TNP500/502 Tilt ‘N Plug™** Interconnect Box is greatly appreciated. We are sure you will find it reliable and simple to use.

Superior performance for the right price, backed by solid technical and customer support is what ALTINEX has to offer.

The product you are holding in your hands is designed using state-of-the-art technology and is superior to anything available on the market. You will find this and our other products reliable, long lasting, and simple to operate.

We are committed to providing our customers with signal management solutions to the most demanding audio-visual installations at very competitive pricing.

We appreciate your selection of our products and are confident that you will join the ranks of our many satisfied customers throughout the world.

This manual covers:

TNP500/502 – Tilt ‘N Plug™ Interconnect Box.

TABLE OF CONTENTS

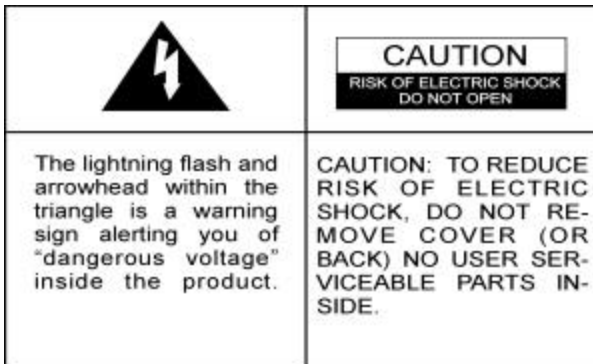
	Page
PRECAUTIONS / SAFETY WARNINGS	2
ABOUT YOUR TNP500/502	3
TECHNICAL SPECIFICATIONS	3
TNP500/502 DIMENSIONS	4
DESCRIPTION DIAGRAM.....	7
APPLICATION DIAGRAM.....	7
MOUNTING DIAGRAM.....	8
INSTALLATION	8
FREQUENTLY ASKED QUESTIONS (FAQ)	9
CABLES AND ACCESSORIES.....	10
TROUBLESHOOTING GUIDE.....	10
ALTINEX POLICY.....	10

PRECAUTIONS / SAFETY WARNINGS 1

Please read this manual carefully before using your **TNP500/502** Interconnect Box. Keep this manual handy for future reference. These safety instructions are to ensure the long life of your **TNP500/502** and to prevent fire and shock hazard. Please read them carefully and heed all warnings.

1.1 GENERAL

- Unauthorized personnel shall not open the unit since there are high-voltage components inside.
- Qualified ALTINEX service personnel, or their authorized representatives must perform all service.



1.2 INSTALLATION

- For best results, place the **TNP500/502** Interconnect Box in a dry area away from dust and moisture.
- To prevent fire or shock, do not expose this unit to rain or moisture. Do not place the **TNP500/502** Interconnect Box in direct sunlight, near heaters or heat radiating appliances, or near any liquid. Exposure to direct sunlight, smoke, or steam can harm internal components.
- Handle the **TNP500/502** Interconnect Box carefully. Dropping or jarring can damage internal components.
- Never place fingers inside the opening on each side of the unit. This action could

cause serious injury because of the sharp edges inside of the **TNP500/502**.

- Do not place heavy objects on top of the **TNP500/502**. Do not use excessive force to push down on the top of the unit.
- To turn off the main power, disconnect the power cord, which powers the power socket on the **TNP500/502** pop up panel. The power outlet socket should be installed as near to the equipment as possible, and should be easily accessible.
- We recommend using wall outlets with a Ground Fault Circuit Interrupter (GFCI) for maximum protection.
- Install all cables according to the instructions. Do not force or pull out any cable or power cord that is attached to the **TNP500/502** Interconnect Box.

1.3 CLEANING

- Surfaces should be cleaned with a dry cloth. Never use strong detergents or solvents, such as alcohol or thinner. Do not use a wet cloth or water to clean the unit.

1.4 FCC / CE NOTICE

- This device complies with part 15 of the FCC Rules. Operation is subject to the following two conditions: (1) This device may not cause harmful interference, and (2) this device must accept any interference received, including interference that may cause undesired operation.
- This equipment has been tested and found to comply with the limits for a Class A digital device, pursuant to Part 15 of the FCC Rules. These limits are designed to provide reasonable protection against harmful interference when the equipment is operated in a commercial environment. This equipment generates, uses, and can radiate radio frequency energy and, if not installed and used in accordance with the instruction manual, may cause harmful interference to radio communications. Operation of this

equipment in a residential area is likely to cause harmful interference in which case the user will be required to correct the interference at his own expense.

- Any changes or modifications to the unit not expressly approved by ALTINEX, Inc. could void the user's authority to operate the equipment.

ABOUT YOUR TNP500/502 2

The **TNP500** designed for installation into a table in a presentation or boardroom, the Tilt 'N Plug™ Configurable Tabletop Interconnect Box provides access to multi-media input connections when needed, and hides them when not needed. This unit can be configured with a wide variety of data or A/V connectors before shipment from ALTINEX. Using a tilting angular construction with pneumatic lift assist and a mechanical latching mechanism, the **TNP500** can either "tilt up" into a raised position to provide access to input plates, or it can be lowered flush into the table when not in use. The unit is opened and closed by pressing down on the top panel.

Note that, while the **TNP500** is similar in many ways to its predecessor (TNP100), it actually performs the lifting function internally, and does not require the user to lift the faceplate up. Only light pressure is required to unlatch the top to open it, and slightly more pressure to push the lid down and close the unit.

The **TNP500** provides six Sectional Plate slots on the exposed faceplate, servicing one side of a table. Signals are passed through the unit to the underside of the table. A variety of sectional plate connector configurations are available to populate the slots - see Sectional Plate Accessories for a list of available options. All Sectional Plates must be ordered separately.

The **TNP502** is a "package" of parts that covers the basic needs of many Tilt 'N Plug users. When this item is ordered, it ships as a completely assembled product made up of: one TNP500 and a SP3500SC Sectional Plate, with input labels already engraved. The SP3500SC includes the following connectors: two standard U.S. power receptacles, computer video (15-pin HD), COM Port/RS-232 (9-pin D), composite

video (RCA), S-Video (4-pin mini-DIN), audio (2-RCA), computer audio (3.5 mm), modem (RJ11), and network (RJ45) input connectors. All connectors have 6 foot cables attached that feed through to the bottom of the unit. The connectors and their labels may be customized for a fee.

TECHNICAL SPECIFICATIONS 3

FEATURES/DESCRIPTION	TNP502	
GENERAL		
Front Panel Standard Configuration Connectors	Faceplate	Available location
Power	2 outlet per plate	Up to 3 plates
Computer Video	1 15-pin HD-F	Up to 6 plates
Composite Video	1 Yellow RCA-F	Up to 6 plates
Audio, left, right	1 Black, 1 Red RCA-F	Up to 6 plates
Audio	1 3.5 mm stereo female plug	Up to 6 plates
Telephone	1 RJ-11 F (6-position)	Up to 6 plates
Network	1 RJ-45-F (8-position)	Up to 6 plates
Control	1 DB-9 F	Up to 6 plates

Table 1. **TNP502** General

MECHANICAL	TNP500/502
Width (inches)	6.03in (153mm)
Height (closed)	4.79in (122mm)
Height (opened)	8.05in (205mm)
Depth (inches)	7.56in (192mm)
Finish	Flat Black
T° Operating	10°C-45°C
T° Maximum	60°C
Humidity	90% non-condensing

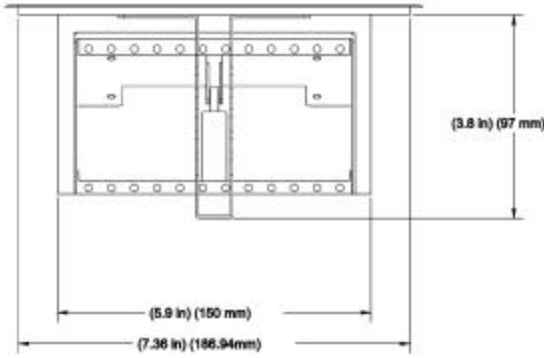
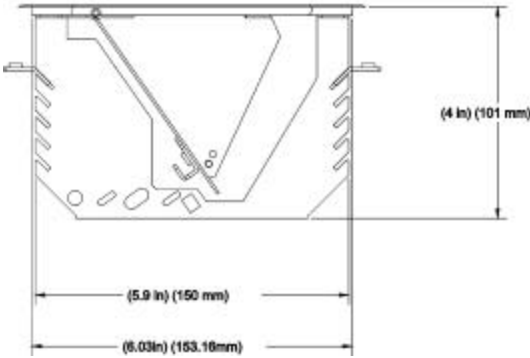
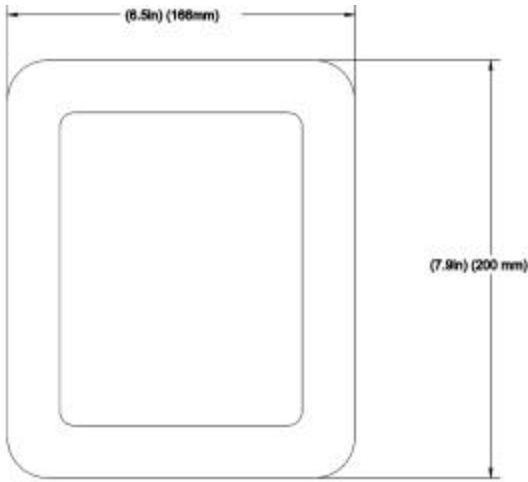
Table 2. **TNP500/502** Mechanical

ELECTRICAL	TNP502
Power	
Power Rating (pass through connector)	90-140 VAC, 5Amps Max

Table 3. **TNP502** Electrical

TNP500/502 DIMENSIONS

4



Detailed dimensions, tabletop cutout templates and CAD drawings are available on the ALTINEX website at www.altinex.com

Available Plates



Many different plates can be installed on TNP500. In addition to standard plates, any custom plates can be made using blank plates available. Additional description and part numbering is available on Altinex web site www.altinex.com.



Final Installation view of TNP 502.

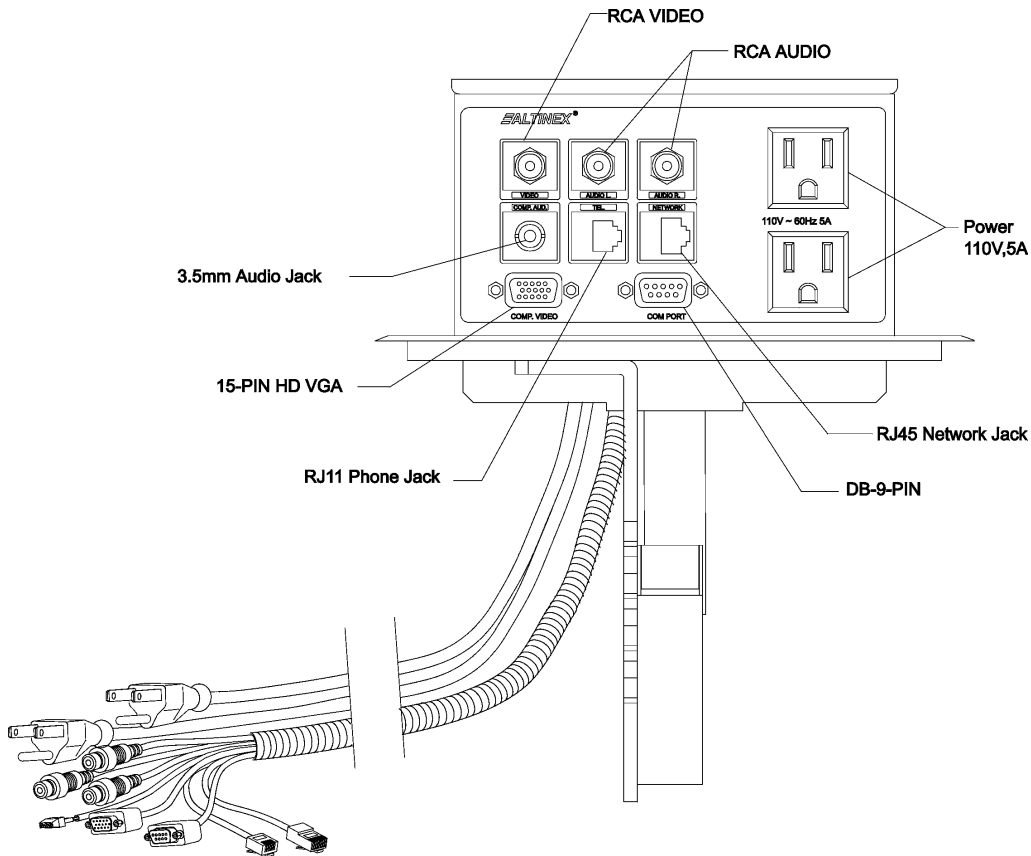


Sample configuration with modules installed



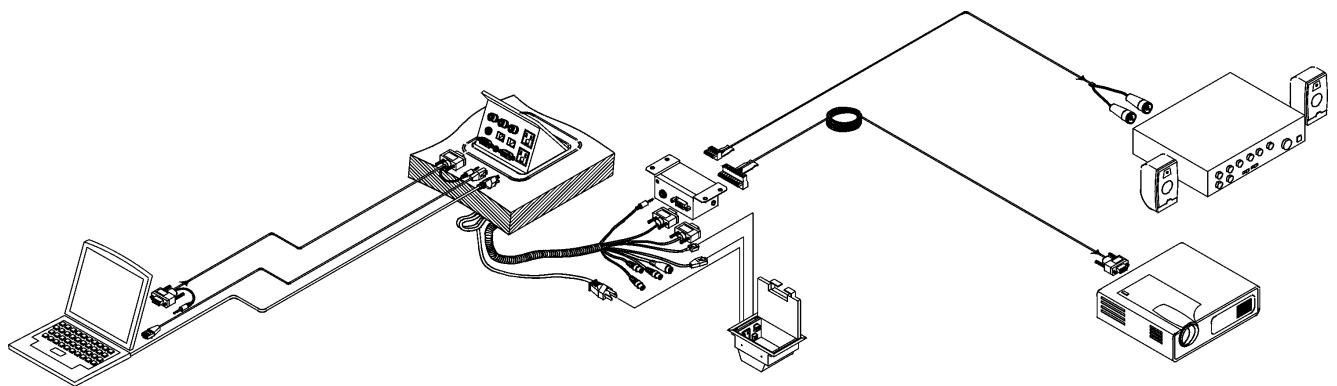
DESCRIPTION

5



APPLICATION DIAGRAM

6



7

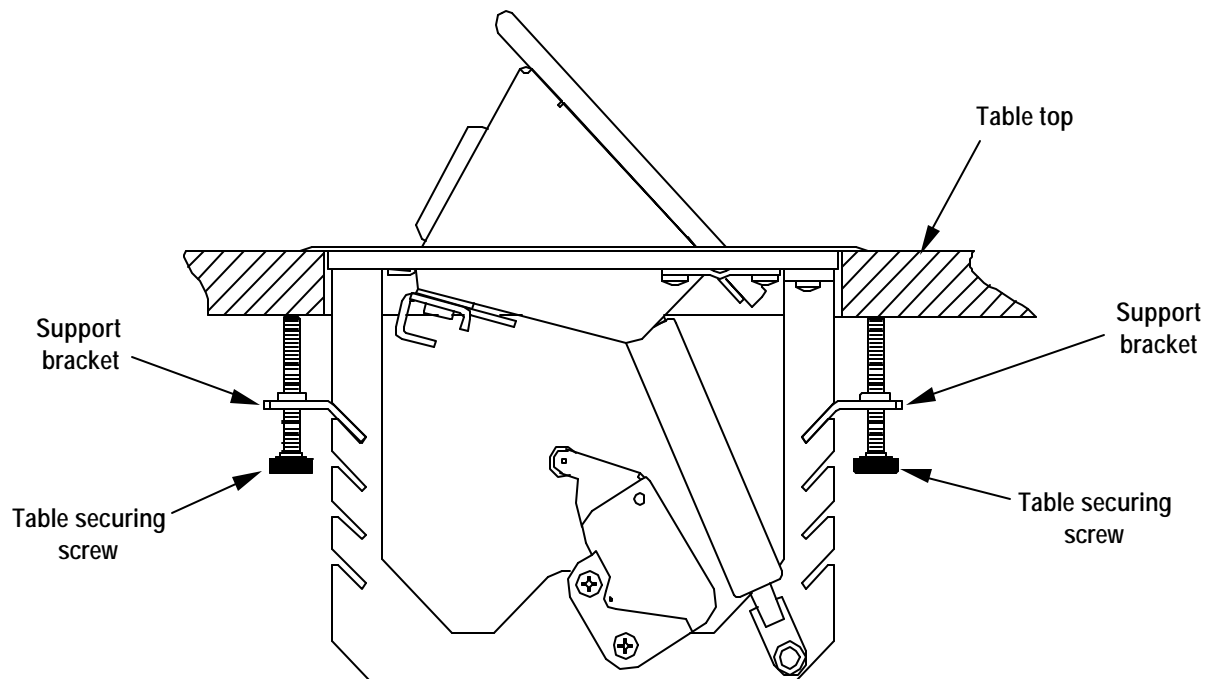
ALTINEX

SIGNAL
MANAGEMENT
SOLUTIONS

Tel: 714-990-2300 • Toll-Free: 1-800-ALTINEX • FAX: 714-990-3303 • E-mail: solutions@altinex.com • Web: www.altinex.com

MOUNTING DIAGRAM

7



INSTALLATION

8

Step 1. Cut an opening into the table's surface. Refer to diagram on Altinex web site www.altinex.com for table cutout requirements.

Note: The table can be 3 inches or thinner in thickness. Always confirm dimensions before cutting to insure that specifications have not changed.

Step 2. Insert the **TNP500/502** into the opening in the table.

Step 3. Place the support brackets under the table and place them between the support mount grooves on the side of the **TNP500/502** unit. Attach the brackets to the groove at the desired height and secure them to the bottom of the table using the 6-32 screw. There are two support brackets, one for each side of the unit.

Step 4 Secure the cables by using the provided cable clamp. Pass the power cord from the bottom of the housing and attach it to the table using the cable clamp supplied with the **TNP500/502** unit. Do not keep the cord too tight or too loose.

Step 5 Connect the appropriate cables with the correct input connectors. There are two RCA audio connectors on the front panel of the **TNP500/502**. The black connector is known as audio left, whereas the red connector is called audio right. There is also an RCA video connector, which is yellow in color. The network connection is red. In addition, the telephone or data connection is gray.

8

Step6 Once you have applied power and connected the proper cables on the bottom of the unit, you may raise the unit. To raise the **TNP500/502** into position lift the top by pulling upward at the notch in the top plate.

Step 7. To lower the unit, push on the top of the TNP500 until it fits into place.

For more information, please refer to the FAQ section or the Troubleshooting Guide.

FREQUENTLY ASKED QUESTIONS (FAQ) 9

No:	Question	Answer
1	Why are the VGA connectors female on both ends of the cables?	Female cables are more reliable.
2	Why is there a DB-9 connector?	The DB-9 connector is compatible with RS-232 serial communication.
3	What happens if the spring breaks?	The unit will not stay open.
4	What do I do if the TNP500/502 won't stay open?	Replace the gas spring. Call ALTINEX for service information.
5	How much room is taken up on the underside of the table?	The unit is 4.5 inches deep maximum below the table; to this dimension add about 2.5 inches for cable clearance.
6	What if my table is thicker than 3 inches?	Then the area under the table near the TNP500/502 must be reduced to 3 inches of thickness.
7	Are cables available for connecting a PC/laptop to the TNP500/502 available?	CONSIDER USING MS8126CA (3FT) OR MS8156CA (6FT) FOR VGA CONNECTION.
8	Does ALTINEX honor any warranty on field modifications?	Anything modified by non-ALTINEX personnel is not covered by warranty.

CABLES AND ACCESSORIES 10

Model No.	Description
	VGA MALE TO MALE (HD-15) HIGH RESOLUTION CABLE
CB37xxMR	xx = available length of 3ft, 6ft, 15ft, 25ft, 50ft, 75ft, 100ft, 150ft
	VGA MALE TO FEMALE (HD-15) HIGH RESOLUTION CABLE
CB39xxMR	xx = available length of 3ft, 6ft, 15ft, 25ft, 50ft, 75ft, 100ft, 150ft, 200ft, 250ft
	SUPER HIGH RESOLUTION PLENUM-FLEX MULTI- CHANNEL COAX CABLE VGA MALE TO VGA MALE (HD-15)
CB5000PL-5VMxxxVM	xxx = available length of 3ft, 6ft, 15ft, 25ft, 50ft, 75ft, 100ft, 150ft, 200ft, 250ft
	SUPER HIGH RESOLUTION PLENUM-FLEX MULTI- CHANNEL COAX CABLE VGA MALE TO VGA FEMALE (HD-15)
CB5000PL-5VMxxxVF	xxx = available length of 3ft, 6ft, 15ft, 25ft, 50ft, 75ft, 100ft, 150ft, 200ft, 250ft

TROUBLESHOOTING GUIDE 11

The supplied **TNP500/502** unit was carefully tested and no problems were detected; however, we would like to offer the following suggestions:

- If there is no power, check the integrity of the power cord. Make sure that no cable or power cord is damaged or pinched. If there has been damage, then do not use the TNP500 unit. Immediately contact the ALTINEX Customer Service Department to have the unit repaired.
- Please make sure that the highest quality video, audio, network, and telephone cables or connectors are used.
- If unit does not lift over a period of time please check the wear and tear on gas spring. If replacement of gas spring is required contact ALTINEX.

ALTINEX POLICY 12

12.0 LIMITED WARRANTY / RETURN POLICY

Please see the Altinex website at www.altinex.com for details on warranty and return policy.

12.1 CONTACT INFORMATION

ALTINEX, INC.

592 Apollo Street
Brea, CA 92821 USA

TEL: 714-990-2300

TOLL FREE: 1-800-ALTINEX

WEB: www.altinex.com

E-MAIL: solutions@altinex.com

FAX: 714-990-3303

Free Manuals Download Website

<http://myh66.com>

<http://usermanuals.us>

<http://www.somanuals.com>

<http://www.4manuals.cc>

<http://www.manual-lib.com>

<http://www.404manual.com>

<http://www.luxmanual.com>

<http://aubethermostatmanual.com>

Golf course search by state

<http://golfingnear.com>

Email search by domain

<http://emailbydomain.com>

Auto manuals search

<http://auto.somanuals.com>

TV manuals search

<http://tv.somanuals.com>