

AMF

KX-T DOUGH DIVIDER/ROUNDER



- **Ideal for Tortilla, Frozen and Hard Roll Dough**
- **Quick and Easy Product Changeover**
- **Precision Scaling Accuracy on Entire Range of Products Without Variation from the Beginning to the End of a Dough**
- **Small Footprint for Easy Replacement of Old Drum Divider/Rounders**
- **Single Auger for Gentle Dough Handling at Low Pressure**
- **Available Adjustable Rounding System for a Wide Range of Sizes**

FEATURES & BENEFITS

Scaling Accuracy

- Stainless steel metering pump provides greater scaling accuracy than conventional volumetric dividers
- Low pressure manifold with individual port control valves provides estimated $\pm 1\%$ accuracy

Low Maintenance

- Simple design with slow rotating parts requires very little maintenance
- Machine can be run for weeks with no required maintenance downtime

Easy Sanitation

- CIP system controlled by the PLC program efficiently cleans all internal product areas
- Complete visual inspection of entire dough path can be performed in minutes with no tools

Simple Set-up with Recipe Management

- Change products with the push of a button, adjust machine scaling in seconds
- No change over parts required for different size products

Efficient Design and Lower Cost

- Small footprint can replace conventional dividers
- Lower purchase price, low maintenance, no divider oil, all add up to lower operating cost

MECHANICAL FEATURES

- Large 8" (203 mm) UHMW single auger gently urges dough to the metering pump
- Strong 8" (203 mm) stainless steel pump housing for long service life
- No dusting flour needed for dividing or rounding
- 250 lb. (113 kg) capacity stainless steel hopper
 - Round design ensures dough has no corners to hang on
 - First in/first out flow design
 - Easy to clean
- Simple open stainless steel frame design for easy access and sanitation
- Metering pump and manifold mounted on separate cart provides easy access for sanitation and maintenance
- Heavy duty, hollow shaft Nord direct auger drive
- No chains on the entire machine
 - No operating maintenance adjustments required
 - Extremely low maintenance
- Large 8" (203 mm) coupling drive allows auger to be removed in seconds
- Entire design provides slow, simple rotary motions ensuring long service life with low maintenance costs
- Venturi generator based vacuum system for positive pumping action and thorough degassing
- Auger speed controlled by pressure feedback loop for accurate throughput
- Dependable Waukesha stainless steel metering pump with 3" (76 mm) outlet
- UHMW "Quick Clean" scaling division manifold available in 4, 5, 6, 8, or 9 pocket configuration
- Individual stainless steel control valves on each port provide simple, precise scaling control
- UHMW cut-off knife
 - For precise cutting motion up to 110 cuts per minute
 - Optional rotary high speed cut-off for speeds up to 200 cuts per minute
- Dividing system requires *no* divider oil
- Divider unit mounted on heavy duty casters
- Stainless steel rounder frame with direct Eurodrive on belt
- Grooved UHMW rounder bars with AMF floating foot
- Divider can be assembled in either LH or RH configuration
- Rounder must be specified LH or RH



Auger



Main Frame Area
& Vacuum System



Metering Pump, Manifold,
and Valves



Servo Rotary Cut-off

ELECTRICAL FEATURES

- NEMA 12 stainless steel control enclosure
 - Mounted on divider and pre-wired for simple installation
- Allen Bradley 5/03 PLC control
 - Synchronizes knife to proofer speed
- Allen Bradley variable speed AC inverters for
 - Auger drive
 - Metering pump drive
 - Rounder belt
 - Kicker roller
- Precise Allen Bradley servo motor drive for cut-off knife
 - Electronic proofer synch kit
- Allen Bradley PanelView 600 operator interface station
 - Full recipe management for up to 50 products
 - Simple changeover procedure
 - Alarm message display
- Allen Bradley pushbuttons for:
 - 2 button start
 - Stop and emergency stop
 - Master control relay
- Alarm beacon
- PLC controlled CIP sanitation routine
- Dough pressure controlled by transducer feedback loop



Machine Mounted Electrical Enclosure & Operator Controls

OPTIONS

- Optional chilled rounder bed
- Additional machine manuals
- Pneumatic pushback system
 - Allows divider to discharge unwanted dough into rollaway stainless steel catch pan with screen and drain
 - Divider will automatically push back if scaling under weight products based on pressure feedback
 - Pushback also allows easy access during sanitation
- Available adjustable opening rounder bar system for precise rounding control of all dough piece sizes
- Reverse axis rounder bars
- CE electricals



Pushback with Catch Pan



Adjustable Bars

SPECIFICATIONS

	KX-T 400	KX-T 500	KX-T 600	KX-T 800	KX-T 900
Knife Speed	10 to 135 cuts per minute				
Maximum Ports	4	5	6	8	9
Max Pieces per Hour	32,400	40,500	48,600	64,800	72,900
Total Throughput lb./hr. (kg/hr.)	5,000 (2268)	6,000 (2722)	8,000 (3629)	10,000 (4536)	10,000 (4536)

Electrical Requirements:

Approximate Main Power: 23 KVA
Control Power: 24 VDC/120 VAC

Air Requirements: 15 SCFM @ 80 PSIG

Approximate Dimensions:

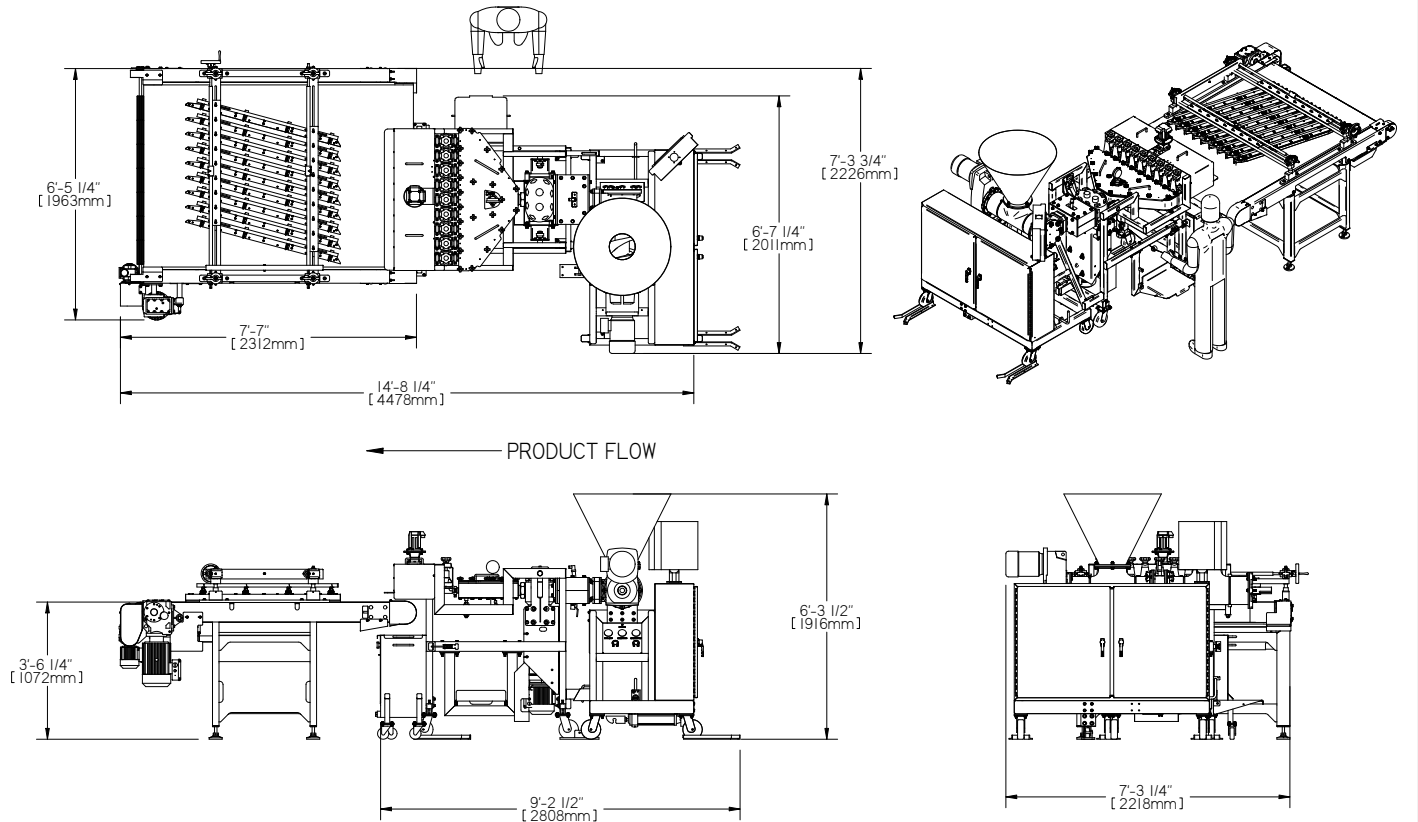
Divider: 116" L x 86" W x 82" H (2947 mm x 2185 mm x 2083 mm)
Rounder: 96" L x 84" W x 54" H (2438 mm x 2134 mm x 1372 mm)

Approximate Shipping Weight:

4,900 lb. (2223 kg)

KX-T DOUGH DIVIDER/ROUNDER

DIMENSIONAL DRAWING



KX-T 900 DIVIDER/ROUNDER (RIGHT-HAND)

Headquarters:
2115 W. Laburnum Ave.
Richmond, Virginia 23227
Tel: 1-800-225-3771
or 1-804-355-7961
Fax: 1-804-342-9724
sales@amfbakery.com

Europe Office:
West Park Ring Road
Leeds LS16 6QQ
England
Tel: 44-1132-787110
Fax: 44-1132-741415
sales-europe@amfbakery.com

Asia Office:
Room 801 A-Building
Thunis Dev. Building
No. 11 Hui Xin East St.
Chaoyang District
Beijing, China 100029
Tel: 86-10-64823613
Fax: 86-10-64934259
sales-asia@amfbakery.com

FOR MORE INFORMATION PLEASE CALL YOUR ACCOUNT MANAGER OR

1-800-BAKERS-1
www.amfbakery.com

AMF's focus on continuous improvement may result in changes to machinery specifications without notice.

09/2008

Free Manuals Download Website

<http://myh66.com>

<http://usermanuals.us>

<http://www.somanuals.com>

<http://www.4manuals.cc>

<http://www.manual-lib.com>

<http://www.404manual.com>

<http://www.luxmanual.com>

<http://aubethermostatmanual.com>

Golf course search by state

<http://golfingnear.com>

Email search by domain

<http://emailbydomain.com>

Auto manuals search

<http://auto.somanuals.com>

TV manuals search

<http://tv.somanuals.com>