



DOUGH BALL SPACER

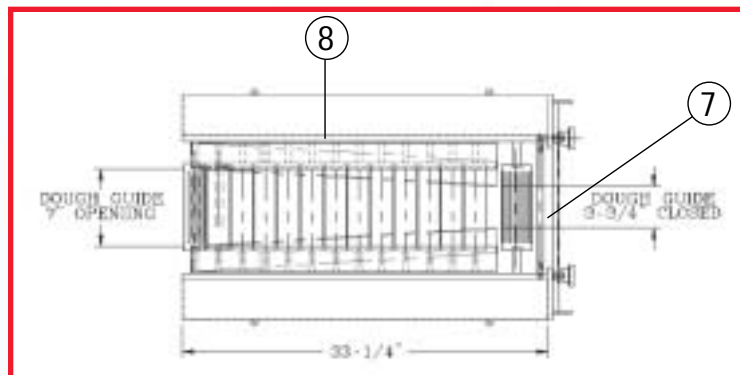
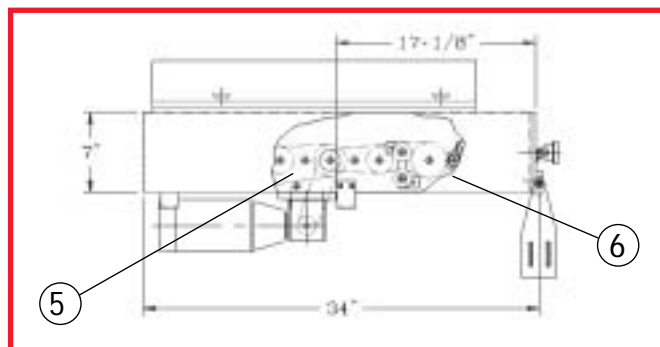
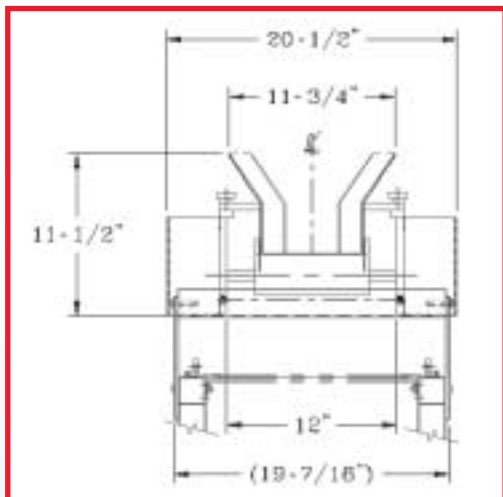
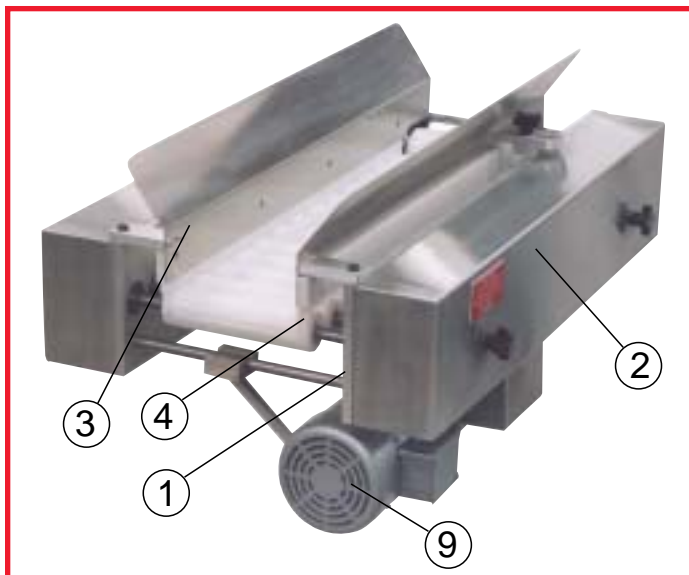


- Improved design
- Reliable performance

DOUGH BALL SPACER

Specifications

- 1- Side plate, aluminum construction frame.
- 2- Side covers are 7" wide for easier maintenance.
- 3- Stainless steel tapered dough guide with U.H.M.W. comb-type guide to fit roller in order to stop the dough from getting behind the dough guide.
- 4- Wider shaft in order to get space in between the side frame and roller.
- 4- Sprockets and chains are # 40 regular.
- 6- Chain binders on each side.
- 7- Adjustable front roller on sealed bearings with protected plate.
- 8- All shafts are mounted on sealed bearings lock on shaft with set screws.
- 9- Motor 1/2 H.P. and reducer (ratio 5 to 1) (Optional A.C. inverter).
(All rollers are of different speeds to equalize flow of dough piecesto moulders)



For more information please call your Account Manager or **1-800-BAKERS-1**.

Headquarters
AMF Bakery Systems
 2115 West Laburnum Avenue
 Richmond, Virginia 23227
 1-800-225-3771 or 804-355-7961
 FAX: 1-804-342-9724

European operation
 West Park Ring Road
 Leeds LS16 6QQ England
 Tel.: 1132-787110
 Fax: 1132-741415

www.amfbakery.com

sales@amfbakery.com



06/2001
 22-U-04

Free Manuals Download Website

<http://myh66.com>

<http://usermanuals.us>

<http://www.somanuals.com>

<http://www.4manuals.cc>

<http://www.manual-lib.com>

<http://www.404manual.com>

<http://www.luxmanual.com>

<http://aubethermostatmanual.com>

Golf course search by state

<http://golfingnear.com>

Email search by domain

<http://emailbydomain.com>

Auto manuals search

<http://auto.somanuals.com>

TV manuals search

<http://tv.somanuals.com>