

# American DJ®

## UTOPIA 250S



### User Instructions

*American DJ*  
4295 Charter Street  
Los Angeles CA. 90058  
[www.americandj.com](http://www.americandj.com)

Revised 9/01

#### Utopia 250S™

#### General Information

**Unpacking:** Thank you for purchasing the Utopia 250S™ by American DJ®. Every Utopia 250S™ has been thoroughly tested and has been shipped in perfect operating condition. Carefully check the shipping carton for damage that may have occurred during shipping. If the carton appears to be damaged, carefully inspect your fixture for any damage and be sure all equipment necessary to operate the unit has arrived intact. In the event damage has been found or parts are missing, please contact our toll free customer support number for further instructions. Do not return this unit to your dealer without first contacting customer support.

**Introduction:** This unit use a single color/gobo wheel combination for vibrant colors and extravagant gobo patterns. The Utopia 250S™ is an intelligent fixture that can run In DMX mode, as a stand alone sound active piece, or in a Master/Slave configuration. The Utopia 250S™ comes with several build in programs and is best used in multiples of four. This piece is best used with a fog or haze machine to enhance the beam output. When used in DMX mode channel 4 access a special strobe function. When used as a stand alone unit or when used in multiples linked in a master/slave configuration an optional Utopia/C controller may be used. The optional controller will access different programs and control a blackout function.

**Customer Support:** American DJ® provides a toll free customer support line, to provide set up help and to answer any question should you encounter problems during your set up or initial operation. You may also visit us on the web at [www.americandj.com](http://www.americandj.com) for any comments or suggestions. Service Hours are Monday through Friday 9:00 a.m. to 5:00 p.m. Pacific Standard Time.

Voice: (800) 322-6337  
Fax: (323) 582-2610  
E-mail: [support@americandj.com](mailto:support@americandj.com)

**Warning!** To prevent or reduce the risk of electrical shock or fire, do not expose this unit to rain or moisture.

**Caution!** There are no user serviceable parts inside this unit. Do not attempt any repairs yourself, doing so will void your manufactures warranty. In the unlikely event your unit may require service please contact your nearest American DJ® dealer.

©American DJ® - [www.americandj.com](http://www.americandj.com) - Utopia 250S™ Instruction Manual Page 2

## Utopia 250S™

## General Instructions

To optimize the performance of this product, please read these operating instructions carefully to familiarize yourself with the basic operations of this unit. These instructions contain important safety information regarding the use and maintenance of this unit. Please keep this manual with the unit, for future reference.

## Utopia 250S™

## Product Registration

The Utopia 250S™ carries a one year (365 days) limited warranty. Please fill out the enclosed warranty card to validate your purchase. All returned service items whether under warranty or not, must be freight pre-paid and accompany a return authorization (R.A.) number. If the unit is under warranty, you must provide a copy of your proof of purchase invoice. Please contact American DJ® customer support for a R.A. number.

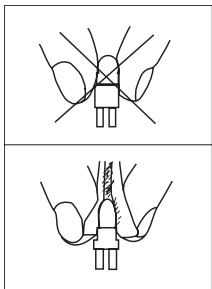
## Utopia 250S™

## Features

- Micro-Stepping Motors for Smooth Color and Gobo Transitions
- DMX-512 Protocol Compatible (Uses Four DMX Channels)
- Full Manual Focusing
- Fan Cooled.
- 17 Color/Gobo Combinations Plus Spot.
- Master/Slave Operation
- Internal Microphone with Volume Sensitivity Knob
- Easy Lamp Replacement
- ZB-ELC 24v/250w Lamp
- Variable Speed Strobe Function
- Optional Utopia/C Remote Controller

## Utopia 250S™

## Halogen Lamp Warning



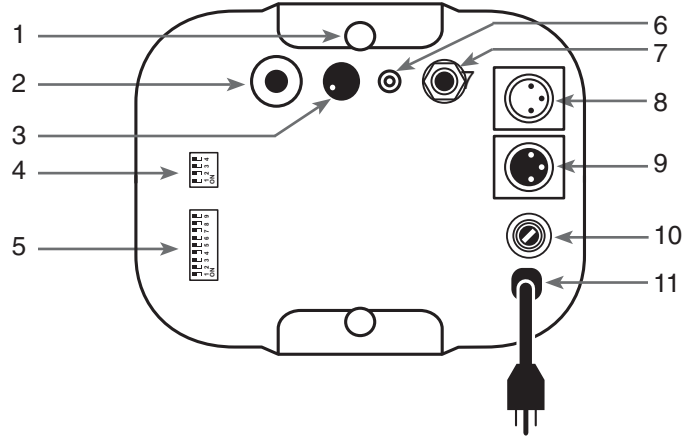
This fixture is fitted with halogen lamps which are highly susceptible to damage if improperly handled. Never touch the lamps with your bare fingers as the oil from your hands will shorten lamp life. Also, never move the fixture until the lamps have had ample time to cool. Remember, lamps are not covered under warranty conditions.

## Utopia 250S™

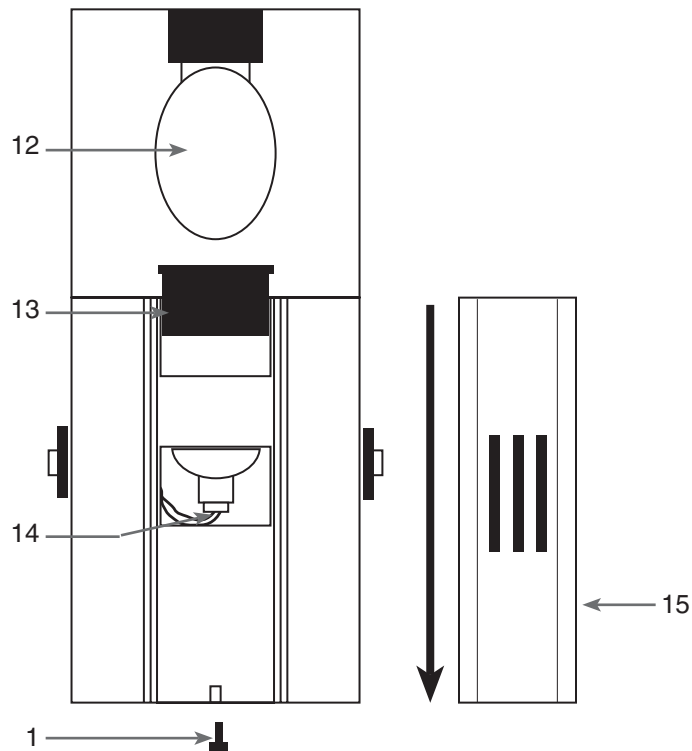
## Safety Precautions

- To reduce the risk of electrical shock or fire, do not expose this unit rain or moisture
- Do not spill water or other liquids into or on to your unit.
- Be sure that the local power outlet match that of the required voltage for your unit.
- Do not attempt to operate this unit if the power cord has been frayed or broken.
- Do not attempt to remove or break off the ground prong from the electrical cord. This prong is used to reduce the risk of electrical shock and fire in case of an internal short.
- Disconnect from main power before making any type of connection.
- Do not remove the cover under any conditions. There are no user serviceable parts inside.
- Never operate this unit when it's cover is removed.
- Never plug this unit in to a dimmer pack
- Always be sure to mount this unit in an area that will allow proper ventilation. Allow about 6" (15cm) between this device and a wall.
- Do not attempt to operate this unit, if it becomes damaged.
- This unit is intended for indoor use only, use of this product outdoors voids all warranties.
- During long periods of non-use, disconnect the unit's main power.
- Always mount this unit in safe and stable matter.
- Power-supply cords should be routed so that they are not likely to be walked on or pinched by items placed upon or against them, paying particular attention to cords at plugs, convenience receptacles, and the point where they exit from the appliance.
- Cleaning -The fixture should be cleaned only as recommended by the manufacturer. See page 7 for cleaning details.
- Heat -The appliance should be situated away from heat sources such as radiators, heat registers, stoves, or other appliances (including amplifiers) that produce heat.
- The fixture should be serviced by qualified service personnel when:
  - A. The power-supply cord or the plug has been damaged.
  - B. Objects have fallen, or liquid has been spilled into the appliance.
  - C. The appliance has been exposed to rain or water.
  - D. The appliance does not appear to operate normally or exhibits a marked change in performance.

## REAR



## FRONT



**1. Thumb Screw** - This thumb screw holds the lamp socket assembly cover (16) into place.

**2. Microphone** - This microphone receives external low frequencies to trigger the unit in Sound-Active and Master/Slave mode.

**3. Audio Sensitivity Knob** - This adjust audio sensitivity of the internal microphone (3). Turning the sensitivity knob in the clockwise direction will increase the sensitivity to sound. Turning the knob in the counter clockwise direction will decrease the fixture's sensitivity to sound.

**4. Option Switches** - These switches will activate one of four options:

*Switch 1:* Focus - When activated this switch will center the mirror with a white spot. This will allow you to focus the beam properly.

*Switch 2:* Sound Active - Turning this switch to the on position will activate sound-active mode.

*Switch 3:* Inverted Pan - When activated this switch will invert the PAN value. Left will become right and vice versa.

*Switch 4:* Inverted Tilt - When activated this switch will invert the TILT value. Up will become down and vice versa.

**5. Dip Switches** - These switches serve two functions. In master slave mode these switches are used to assign a specific head address. In DMX mode these switches are used to assign a DMX address to the unit. In DMX mode each switch corresponds to a specific value based on binary code. See page 7 for a detailed explanation of DMX binary code.

**6. Power Indicator** - This light will flash when the unit is in use.

**7. Utopia/C Controller Jack** - This jack is for use with the optional Utopia/C Blackout controller only. *Do not attempt to connect an audio signal this jack, this will damage the PC board and void your manufactures warranty!*

**8. XLR Input Jack** - This jack is used to accept an incoming DMX signal or Master/Slave signal.

**9. XLR Output Jack** - This jack is used to transmit the incoming

DMX signal to another DMX fixture, or transmit a Master/Slave signal to the next Utopia 250S™ in the chain. For best results in DMX or Master/Slave mode terminate this jack if it is the last unit in the chain. See “Terminator” on page 7.

**10. Fuse Holder** - This housing stores the 3 amp GMA protective fuse. Always replace with the exact same type fuse, unless otherwise instructed, by an authorized American DJ® service technician.

**11. Power Cord** - Connect only to a matching power outlet. Never use this fixture if the ground prong has been removed or broken off.

**12. Mirror** - This is a highly reflective surface mirror specifically designed to optimize and enhance beam output. Never use glass cleaner that contain ammonia to clean the surface of the mirror (such as Windex).

**13. Lens** - This is a fully focusing high quality lens. Focus the lens by manually turning the lens in a clockwise or counter-clockwise direction.

**14. Lamp Socket Assembly** - This assembly holds a ZB-ELC (24v/250w) lamp. A long life version of lamp may be used in place of the original lamp (ZB-ELC3 300 hours).

**15. Lamp Socket Assembly Plate** - This plate accesses the lamp socket assembly.

**Universal DMX Control:** This function allows you to use a universal DMX 512 controller as the American DJ® DMX Operator™ or Show Designer™ to control mirror movement and the color/gobo wheel. The use of a DMX controller will allow you to customize the use of fixtures allowing you to control the rotation direction as well as the rotation speed. Operating through a DMX controller allows the freedom to create unique programs tailored to one’s individual needs.

1. The Utopia 250S™ uses four DMX channels. Channel 1 controls pan, channel 2 controls tilt, channel 3 controls the color/gobo wheel, and channel 4 controls the strobe function. See page 14 for detailed description of the DMX traits.
2. To control your fixture in DMX mode, follow the set-up procedures

on pages 5 - 7 as well as the set-up specifications that are included with your DMX controller.

3. Use the controller’s faders to control the various DMX fixture traits.
4. This will allow you to create your own programs.
5. When using a DMX controller and setting up for DMX operation follow the dip switch settings on page 14.
6. For help operating in DMX operation consult the manual included with your DMX controller.
7. For longer cable runs (more than a 100 feet) use a terminator on the last fixture.

**Stand-Alone Operation (Sound Active):** This function allows a single unit to run to the beat of the music. Only use this function when running a single unit, or when running several units as individuals.

1. To activate the Sound-Active mode be sure the number 2 function switch is set to the “ON” position and refer to “Master Unit” on the Master-Slave DIP SWITCH chart on page 14).
2. The unit will now react to the low frequencies of music via the internal microphone.
3. Adjust the audio sensitivity knob on the top of the unit to make the unit more or less sensitive to sound. Turning the sensitivity knob in the clockwise direction will increase the sensitivity, turning the knob in the counter-clockwise direction will decrease the fixture’s sensitivity to sound.
4. The optional *Utopia/C Blackout Controller* may be used with this function for blackout.

**Master-Slave Operation (Sound Active):** This function will allow you to link up to 4 units together and operate without a controller. The units will be sound activated. In Master-Slave operation one unit will act as the controlling unit and the others will react to the controlling units programs. Any unit can act as a Master or as a Slave.

1. Using standard XLR microphone cables, daisy chain your units together via the XLR connector on the rear of the units. Remember the Male XLR connector is the input and the Female XLR connector is the output. The first unit in the chain (master) will use the female XLR connector only - The last unit in the chain will use the male XLR connector only. For longer cable runs we suggest a terminator at the last fixture.





**Notice:** Be sure to follow figures two and three when making your own cables. Do not use the ground lug on the XLR connector. Do not connect the cable's shield conductor to the ground lug or allow the shield conductor to come in contact with the XLR's outer casing. Grounding the shield could cause a short circuit and erratic behavior.



Figure 2

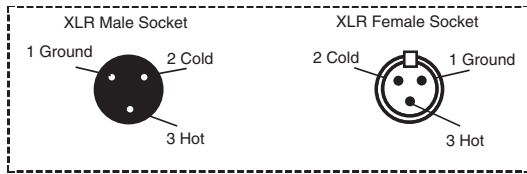


Figure 3

XLR Pin Configuration	
Pin 1 =	Ground
Pin 2 =	Data Compliment (negative)
Pin 3 =	Data True (positive)

**Special Note: Line Termination.** When longer runs of cable are used, you may need to use a terminator on the last unit to avoid erratic behavior. A terminator is a 90-120 ohm 1/4 watt resistor which is connected between pins 2 and 3 of a male XLR connector (DATA + and DATA -). This unit is inserted in the female XLR connector of the last unit in your daisy chain to terminate the line. Using a cable terminator (ADJ part number Z-DMX/T) will decrease the possibilities of erratic behavior.



Termination reduces signal errors and avoids signal transmission problems and interference. It is always advisable to connect a DMX terminal. (Resistance 120 Ohm 1/4 W) between PIN 2 (DMX-) and PIN 3 (DMX +) of the last fixture.

Figure 4

**5-Pin XLR DMX Connectors.** Some manufactures use 5-pin XLR connectors for DATA transmission in place of 3-pin. 5-pin XLR fixtures may be implemented in a 3-pin XLR DMX line. When inserting standard 5-pin XLR connectors in to a 3-pin line a cable adaptor must be used, these adaptors are readily available at most electric stores. The chart below details a proper cable conversion.

3-Pin XLR to 5-Pin XLR Conversion		
Conductor	3-Pin XLR Female (Out)	5-Pin XLR Male (In)
Ground/Shield	Pin 1	Pin 1
Data Compliment (- signal)	Pin 2	Pin 2
Data True (+ signal)	Pin 3	Pin 3
Not Used		Do Not Use
Not Used		Do Not Use

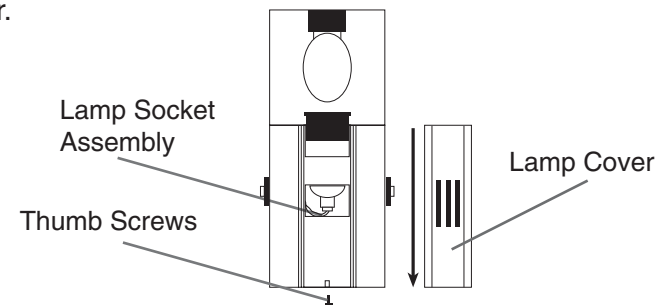
**Caution:** Always replace with the exact same type lamp and fuse, unless otherwise specified by an authorized American DJ® technician. Replace with anything other than the specified part can damage your unit and will void your manufactures warranty.

**Warning:** If, after replacing the lamp or fuse either one continues to blow, STOP using the unit. Contact customer support for further instructions, you may have to return the unit for servicing. Continuing to use the unit may cause serious damage.

**Fuse Replacement:** Disconnect the unit's main power supply. Insert a standard flat head screw driver in to the fuse holder housing. Turn the screwdriver in counter-clockwise direction to remove the fuse holder. Remove the fuse holder to expose the fuse. Remove the old fuse and discard it. Replace the fuse with the same type. Insert the fuse holder back into it's housing and turn it in clockwise direction to lock the holder in place.

**Lamp Replacement:** Caution! Never attempt to change the lamp while the fixture is plugged in. Always disconnect the main power and allow the unit ample time to cool before attempting to replace the lamp. Lamp replacement has been made simple by incorporating the use of a flip-up front cover that is retained by thumb screws.

1. Be sure to follow the proper handling procedures that deal with halogen lamps.
2. Remove the thumb screw on the top/rear of the unit that holds the lamp socket assembly cover in place.
3. After removing the thumb screw, slide out the cove from the rear of the unit to expose the lamp socket assembly.
4. Carefully remove the old lamp and discard it in the trash.
5. Replace the lamp with an exact match and reassemble in reverse order.



## Utopia 250S™

## Cleaning

**Fixture Cleaning:** Due to fog residue, smoke, and dust cleaning the internal and external optical lenses and mirror should be carried out periodically to optimize light output. Cleaning frequency depends on the environment in which the fixture operates (i.e. smoke, fog residue, dust, dew). In heavy club use we recommend cleaning on a monthly basis. Periodic cleaning will ensure longevity, and crisp output.

1. Use normal glass cleaner and a soft cloth to wipe down the outside casing.
2. Use a brush to wipe down the cooling vents and fan grill.
3. Clean the external optics and mirror with glass cleaner and a soft cloth every 20 days.
4. Clean the internal optics with glass cleaner and a soft cloth every 30-60 days.
5. Always be sure to dry all parts completely before plugging the unit back in.

## Utopia 250S™

## DMX Traits

This chart below details the DMX traits. The individual trait can only be accessed an universal DMX controller.

DMX CHANNEL																																																							
1	2	3	4																																																				
PAN	TILT	COLOR/GOBO	STROBE																																																				
<p>255 145° 128 73° 0 0°</p>	<p>255 90° 128 45° 0 0°</p>	<table border="0"> <tr><td>White/Lg Spot</td><td>248-255</td></tr> <tr><td>Strobe 8fps</td><td>247</td></tr> <tr><td>Strobe 2fps</td><td>208</td></tr> <tr><td>Fast Rotation</td><td>207</td></tr> <tr><td>Slow Rotation</td><td>160</td></tr> <tr><td>Gobo 17/W/Wh-Lt Blue</td><td>152-159</td></tr> <tr><td>Gobo 16/Purple</td><td>144-151</td></tr> <tr><td>Gobo 15/Blue</td><td>136-143</td></tr> <tr><td>Gobo 14/Lt Blue</td><td>128-135</td></tr> <tr><td>Gobo 13/Green</td><td>120-127</td></tr> <tr><td>Gobo 12/Yellow</td><td>112-119</td></tr> <tr><td>Gobo 11/Red</td><td>104-111</td></tr> <tr><td>Gobo 10/White</td><td>96-103</td></tr> <tr><td>Gobo 9/4-Colors</td><td>88-95</td></tr> <tr><td>Gobo 8/Purple-Wh</td><td>80-87</td></tr> <tr><td>Gobo 7/Red-Green</td><td>72-79</td></tr> <tr><td>Gobo 6/Purple</td><td>64-71</td></tr> <tr><td>Gobo 5/Blue</td><td>56-63</td></tr> <tr><td>Gobo 4/Lt Blue</td><td>48-55</td></tr> <tr><td>Gobo 3/Green</td><td>40-47</td></tr> <tr><td>Gobo 2/Yellow</td><td>32-39</td></tr> <tr><td>Gobo 1/Red</td><td>24-31</td></tr> <tr><td>Blackout</td><td>16-23</td></tr> <tr><td>Lrg Spot/White</td><td>08-15</td></tr> <tr><td>Blackout</td><td>01-07</td></tr> <tr><td>Lamp Off</td><td>00</td></tr> </table>	White/Lg Spot	248-255	Strobe 8fps	247	Strobe 2fps	208	Fast Rotation	207	Slow Rotation	160	Gobo 17/W/Wh-Lt Blue	152-159	Gobo 16/Purple	144-151	Gobo 15/Blue	136-143	Gobo 14/Lt Blue	128-135	Gobo 13/Green	120-127	Gobo 12/Yellow	112-119	Gobo 11/Red	104-111	Gobo 10/White	96-103	Gobo 9/4-Colors	88-95	Gobo 8/Purple-Wh	80-87	Gobo 7/Red-Green	72-79	Gobo 6/Purple	64-71	Gobo 5/Blue	56-63	Gobo 4/Lt Blue	48-55	Gobo 3/Green	40-47	Gobo 2/Yellow	32-39	Gobo 1/Red	24-31	Blackout	16-23	Lrg Spot/White	08-15	Blackout	01-07	Lamp Off	00	<p>Strobe 1fps 255 Strobe Step Up Strobe 7fps 129 Strobe 7fps 128 Strobe Step Down Strobe 1fps 01 Stop 00</p>
White/Lg Spot	248-255																																																						
Strobe 8fps	247																																																						
Strobe 2fps	208																																																						
Fast Rotation	207																																																						
Slow Rotation	160																																																						
Gobo 17/W/Wh-Lt Blue	152-159																																																						
Gobo 16/Purple	144-151																																																						
Gobo 15/Blue	136-143																																																						
Gobo 14/Lt Blue	128-135																																																						
Gobo 13/Green	120-127																																																						
Gobo 12/Yellow	112-119																																																						
Gobo 11/Red	104-111																																																						
Gobo 10/White	96-103																																																						
Gobo 9/4-Colors	88-95																																																						
Gobo 8/Purple-Wh	80-87																																																						
Gobo 7/Red-Green	72-79																																																						
Gobo 6/Purple	64-71																																																						
Gobo 5/Blue	56-63																																																						
Gobo 4/Lt Blue	48-55																																																						
Gobo 3/Green	40-47																																																						
Gobo 2/Yellow	32-39																																																						
Gobo 1/Red	24-31																																																						
Blackout	16-23																																																						
Lrg Spot/White	08-15																																																						
Blackout	01-07																																																						
Lamp Off	00																																																						

## Utopia 250S™

## Trouble Shooting

**Trouble Shooting:** Listed below are a few common problems that you may encounter, with solutions.

### No light output from the unit;

1. Be sure you have connected your unit into a standard 120V wall outlet.
2. Be sure the external fuse has not blown. The fuse is located on the bottom panel of the unit.
3. Remove the lamp cover and be sure the lamp is seated in its socket properly. Occasionally lamps become loose during shipping be sure the lamp is push in to its socket all the way.
4. Be sure the fuse holder is completely and properly seated.

### Unit does not respond to sound;

1. Low frequencies (bass) should cause the unit to react to sound. Tapping on the microphone, quiet or high pitched sounds may not activate the unit.
2. Be sure the *SENSITIVITY KNOB (5)* is not set to the minimum position

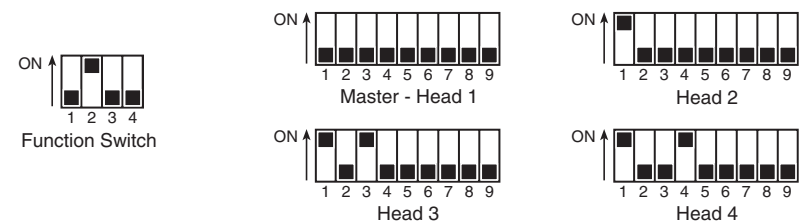


This chart details the gobo pattern as well as the gobo wheel placement.

## Utopia 250S™

## Master/Slave Settings

This chart details the Master/Slave dip switch setting for Master/Slave configuration. Use this configuration only when you will be using your fixtures in a Master/Slave configuration. Be sure the number 2 function switch is set to the on position for sound-active operation.







## Free Manuals Download Website

<http://myh66.com>

<http://usermanuals.us>

<http://www.somanuals.com>

<http://www.4manuals.cc>

<http://www.manual-lib.com>

<http://www.404manual.com>

<http://www.luxmanual.com>

<http://aubethermostatmanual.com>

Golf course search by state

<http://golfingnear.com>

Email search by domain

<http://emailbydomain.com>

Auto manuals search

<http://auto.somanuals.com>

TV manuals search

<http://tv.somanuals.com>