

AD-15, AD-24, AD-285, AD-30 (Export), AD/UD-50, AD-75

Coin Installation Manual

WARNING: For your safety the information in this manual must be followed to minimize the risk of fire or explosion or to prevent property damage, personal injury or loss of life.

Do not store or use gasoline or other flammable vapors and liquids in the vicinity of this or any other appliance.

WHAT TO DO IF YOU SMELL GAS

- Do not try to light any appliance.
- Do not touch any electrical switch; do not use any phone in your building.
- Clear the room, building or area of all occupants.
- Immediately call your gas supplier from a neighbor's phone. Follow the gas supplier's instructions.
- If you cannot reach your gas supplier, call the fire department.

Installation and service must be performed by a qualified installer, service agency or the gas supplier.



For replacement parts, contact the distributor from which the dryer was purchased or

American Dryer Corporation

88 Currant Road Fall River, MA 02720-4781

Telephone: (508) 678-9010 / Cable: AMDRY

Telex: 927520 AMDRY FRIV / Fax: (508) 678-9447

ADC Part No. 112137

Retain This Manual In A Safe Place For Future Reference

American Dryer Corporation products embody advanced concepts in engineering, design, and safety. If this product is properly maintained, it will provide many years of safe, efficient, and trouble-free operation.

ONLY properly licensed technicians should service this equipment.

Observe all safety precautions displayed on the equipment or specified in the installation/operator's manual included with the dryer.

Under **NO circumstances should the dryer door switch or the heat circuit devices ever be disabled.**

We have tried to make this manual as complete as possible and hope you will find it useful. ADC reserves the right to make changes from time to time, without notice or obligation, in prices, specifications, colors, and materials and to change or discontinue models.

Important

DATE OF PURCHASE _____ MODEL NO. _____

DISTRIBUTOR'S NAME _____

Serial No.(s) _____

Replacement parts can be ordered from your distributor or the ADC factory. When ordering replacement parts from the factory, you can fax your order to ADC at (508) 678-9447 or telephone your orders directly to the ADC Parts Department at (508) 678-9010. Please specify the dryer model number and serial number in addition to the description and part number, so that your order is processed accurately and promptly.

The illustrations on the following pages may not depict your particular dryer exactly. The illustrations are a composite of the various dryer models. Be sure to check the descriptions of the parts thoroughly before ordering.

INSTRUCTIONS TO BE FOLLOWED IN THE
EVENT THE USER SMELLS GAS MUST BE POSTED
IN A PROMINENT LOCATION. THE INSTRUCTIONS
TO BE POSTED SHALL BE OBTAINED FROM THE
LOCAL GAS SUPPLIER.

IMPORTANT

YOU MUST DISCONNECT and LOCKOUT THE ELECTRIC SUPPLY and THE GAS SUPPLY BEFORE ANY COVERS or GUARDS ARE REMOVED FROM THE MACHINE TO ALLOW ACCESS FOR CLEANING, ADJUSTING, INSTALLATION, or TESTING OF ANY EQUIPMENT per OSHA (Occupational Safety and Health Administration) STANDARDS.

FOR YOUR SAFETY

DO NOT STORE OR USE GASOLINE OR OTHER FLAMMABLE VAPORS AND LIQUIDS IN THE VICINITY OF THIS OR ANY OTHER APPLIANCE.

DO NOT DRY MOP HEADS IN THE DRYER.

DO NOT USE DRYER IN THE PRESENCE OF DRY CLEANING FUMES.

WARNING

CHILDREN SHOULD NOT BE ALLOWED TO PLAY ON OR IN THE DRYER(S).

CHILDREN SHOULD BE SUPERVISED IF NEAR DRYER(S) IN OPERATION.

CAUTION

DRYER(S) SHOULD NEVER BE LEFT UNATTENDED WHILE IN OPERATION.

IMPORTANT

Please observe all safety precautions displayed on the equipment and/or specified in the installation/operators manual included with the dryer.

Dryer(s) must not be installed or stored in an area where it will be exposed to water and/or weather.

The wiring diagram for the dryer is located in the front electrical control box area.

Table Of Contents

Section I

Important Information	3
A. Receiving and Handling	3
B. Safety Precautions	4

Section II

Installation Procedures	7
A. Unpacking/Setup	7
B. Location Of Dryer	8
C. Dryer Enclosure Requirements	9
D. Fresh Air Supply	10
E. Exhaust Requirements	11
F. Electrical Information	20
G. Gas Information	26
H. Steam Piping Hookup	30
I. Preparation For Operation	35
J. Preoperational Test	36
K. Preoperational Instructions	38
L. Shut Down Instructions	41

Section III

Service / Parts Information	42
A. Service	42
B. Parts	42

Section IV

Warranty Information 43
A. Returning Warranty Card(s) 43
B. Warranty 43
C. Returning Warranty Parts 44

Section V

Routine Maintenance 46
A. Cleaning 46
B. Adjustments 48
C. Lubrication 48

Section VI

Electrical Service Specifications 49

Section VII

Troubleshooting 52

SECTION I

IMPORTANT INFORMATION

A. Receiving and Handling

The dryer is shipped in a protective stretch wrap cover with protective cardboard corners and top cover (or optional box) as a means of preventing damage in transit. Upon delivery, the dryer and/or protective packaging, and wooden skid **should be** visually inspected for shipping damage. If any damage whatsoever is noticed, inspect further before delivering carrier leaves.

Dryers Damaged in Shipment:

1. All dryers **should be** inspected upon receipt and before they are signed for.
2. If there is suspected damage or actual damage, the trucker's receipt **should be** so noted.
3. If the dryer is damaged beyond repair, it **should be** refused. Those dryers which were not damaged in a damaged shipment **should be** accepted, but the number received and number refused **must be** noted on the receipt.
4. If you determine that the dryer was damaged after the trucker has left your location, you should call the delivering carrier's freight terminal immediately and file a claim. This type of freight claim is very difficult to get paid and becomes extremely difficult when more than a day or two passes after the freight was delivered. It is your responsibility to file freight claims. Dryers/parts damaged in transit **cannot** be claimed under warranty.
5. Freight claims are the responsibility of the consignee, and all claims **must be** filed at the receiving end. ADC assumes no responsibility for freight claims or damages.

6. If you need assistance in handling the situation, please call ADC's Traffic Manager at 508-678-9000.

IMPORTANT: The dryer **should be** transported and handled in an upright position at all times.

B. Safety Precautions

WARNING: For your safety, the information in this manual **must be** followed to minimize the risk of fire or explosion or to prevent property damage, personal injury or loss of life.

1. **Do not** store or use gasoline or other flammable vapors and liquids in the vicinity of this or any other appliance.
2. Purchaser/user should consult the local gas supplier for proper instructions to be followed in the event the user smells gas. The instructions **should be** posted in a prominent location.
3. WHAT TO DO IF YOU SMELL GAS...
 - A. **Do not** try to light any appliance.
 - B. **Do not** touch any electrical switch.
 - C. **Do not** use any phone in your building.
 - D. Clear the room, building or area of all occupants.
 - E. Immediately call your gas supplier from a neighbor's phone. Follow the gas supplier's instructions.
 - F. If you cannot reach your gas supplier, call the fire department.
4. Installation and service **must be** performed by a qualified installer, service agency, or the gas supplier.

5. Dryer(s) **must be** exhausted to the outdoors.
6. Although ADC produces a very versatile machine, there are some articles that, due to fabric composition or cleaning method, **should not** be dried in it.

WARNING: Dry only water-washed fabrics. **Do not** dry articles spotted or washed in dry cleaning solvents, a combustible detergent, or "all-purpose" cleaner. EXPLOSION COULD RESULT.

WARNING: **Do not** dry rags or articles coated or contaminated with gasoline, kerosene, oil, paint, or wax. EXPLOSION COULD RESULT.

WARNING: **Do not** dry mop heads. Contamination by wax or flammable solvents will create a fire hazard.

WARNING: **Do not** use heat for drying articles that contain plastic, foam, sponge rubber, or similarly textured rubber-like materials. Drying in a heated basket (tumbler) may damage plastics or rubber and also may be a fire hazard.

7. A program **should be** established for the inspection and cleaning of the lint in the burner area, exhaust duct work and area around the back of the dryer. The frequency of inspection and cleaning can best be determined from experience at each location.

WARNING: The collection of lint in the burner area and exhaust duct work can create a potential fire hazard.

8. For personal safety, the dryer must be electrically grounded in accordance with local and/or the NATIONAL ELECTRIC CODE ANSI/NFPA No. 7-latest edition.

NOTE: Failure to do so will **VOID WARRANTY**.

9. **Under no circumstances** should the dryer door switch, lint drawer switch or heat circuit safety devices ever be disabled.

| WARNING: PERSONAL INJURY OR FIRE COULD RESULT.

10. This dryer is **not** to be used in the presence of dry cleaning solvents or fumes.
11. Remove articles from the dryer as soon as the drying cycle has been completed.

| WARNING: Articles left in the dryer after the drying and cooling cycles have been completed can create a fire hazard.

12. **Do not** operate steam dryers with more than 125 psi steam pressure. Excessive steam pressure can damage steam coil and/or harm personnel.
13. Replace leaking flexible steam hoses or other steam fixtures immediately. **Do not** operate dryer with leaking flexible hoses. Personal injury may result.
14. **READ and FOLLOW ALL CAUTION and DIRECTION LABELS ATTACHED TO DRYER.**

SECTION II

INSTALLATION PROCEDURES

Installation **should be** performed by competent technicians in accordance with local and state codes. In the absence of these codes, installation must conform to applicable AMERICAN NATIONAL STANDARDS:

ANSI Z223.1-LATEST EDITION (NATIONAL FUEL GAS CODE)

or

ANSI/NFPA NO. 70-LATEST EDITION (NATIONAL ELECTRIC CODE)

A. Unpacking/Setup

Remove polyethylene cover and protective shipping corners from dryer.

NOTE: The access keys to the control (service) door, and lint door are shipped in the dryer and **should be** removed and put in a safe place. For coin-operated dryers, the MK-100 key (master key for both control and lint doors) **should be** made accessible because it will be needed throughout various phases in the installation of the unit.

The dryer can be moved to its final location while still attached to the skid or with the skid removed. To un-skid the dryer, locate and remove the four (4) bolts securing the base of the dryer to the wooden skid. Two (2) are located at the rear base, and two (2) are located in the lint chamber. Once the bolts are removed, slide the dryer off the skid.

With the skid removed, to make it easier to slide the dryer into its final position, slightly lower all four leveling legs, so that the dryer will slide on the legs instead of the base frame. The dryer is equipped with four (4) leveling legs, one at each corner of the dryer base. Two (2) are located at the rear of the dryer base, and two (2) are located in the lint chamber.

To increase bearing life and improve efficiency, the dryer **should be** tilted slightly to the rear.

The baskets (tumblers) of all 50-Hz and the AD-50 60-Hz model dryers are supported during shipping by a wooden block. REMOVE THIS BLOCK BEFORE STARTING THE DRYER.

IMPORTANT: This wooden block **must be** removed before connecting power to the dryer or irreparable damage to the basket (tumbler) will result.

The lint coops of all 50-Hz and the AD-30, AD-50 60-Hz model dryers are supported during shipping by a bracket. REMOVE THIS BRACKET BEFORE STARTING THE DRYER.

B. Location of the Dryer

Before installing the dryer, be sure the location conforms to local codes and ordinances. In the absence of such codes or ordinances the location must conform with National Fuel Gas Code ANSI Z223.1-latest edition.

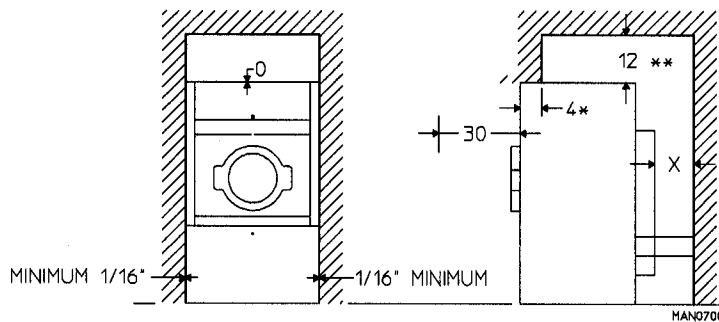
1. The dryer **must be** installed on a sound level floor capable of supporting its weight. It is recommended that carpeting be removed from the floor area that the dryer is to rest on.
2. The dryer **must not** be installed or stored in an area where it will be exposed to water and/or weather.
3. This dryer is for use in noncombustible locations.
4. Provisions for adequate air supply **must be** provided as noted in this manual (see **Fresh Air Supply** in **Section D**).
5. Clearance provisions **must be** made from non-combustible construction as noted in this manual (see **Dryer Enclosure Requirements** in **Section C**).

6. Provisions **must be** made for adequate clearances for servicing and for operation as noted in this manual (see **Dryer Enclosure Requirements** in **Section C**).
7. Dryer **must be** exhausted to the outdoors in an area where correct exhaust venting can be achieved as noted in this manual (see **Exhaust Requirements** in **Section E**).
8. Dryer **must be** located in an area where correct exhaust venting can be achieved as noted in this manual (see **Exhaust Requirements** in **Section E**).

IMPORTANT: Dryer should be located where a minimum amount of exhaust duct will be necessary.

C. Dryer Enclosure Requirements

Bulkheads and partitions **should be** made of noncombustible materials and **must be** located a minimum of, twelve (12) inches for gas dryers and eighteen (18) inches for steam dryers, above the dryer outer top, except along the front of the dryer which may be closed in if desired.



* 1" Maximum for AD-15, UD-50, AD-75 steam heated dryers.

** 12" for gas dryers; 18" for steam dryers.

X = 12" minimum, 24" suggested for ease of maintenance.

NOTE: Allowance **must be** made for opening the control door.

Dryers may be positioned side wall to side wall. However, allowances **should be** made for the opening and closing of the control and lint doors. It is suggested that the dryer be positioned about two (2) feet away from the nearest rear obstruction for ease of installation, maintenance, and service (to be measured from back guard, whether totally enclosed or rear mounted). Refer to the **previous illustration** (on **page 9**) for details.

NOTE: Air considerations are important for proper and efficient operation.

D. Fresh Air Supply

When the dryer is operating, it draws in room air, heats it, passes the air through the basket (tumbler), and exhausts it out of the building. Therefore, the room air **must be** continually replenished from the **outdoors**.

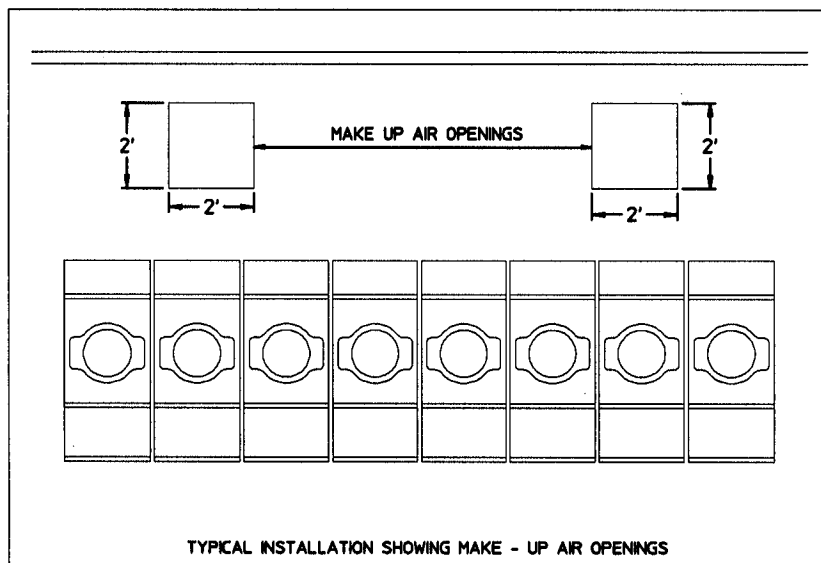
If the make-up air is inadequate, dryer time and dryer efficiency will be adversely affected. Ignition problems and sail switch "fluttering" problems on gas dryers may result, and you also could have premature motor failure from overheating.

Air supply (make-up air) **must be** given careful consideration to assure proper performance of each dryer. An unrestricted source of air is necessary for each dryer. As a general rule, an unrestricted air entrance from the outdoors (atmosphere) of a minimum of one (1) square foot (1-1/2 for the AD-75 is required for each dryer. If registers or louvers are installed over the openings, then the area **must be** increased. It is not necessary to have separate make-up air openings for each dryer. Common make-up air openings are acceptable. However, they **must be** set up in such a manner that the make-up air is distributed equally to the dryers. Example: for a bank of eight (8) dryers, two (2) openings measuring 2' by 2' (4 square feet is acceptable. Refer to the **illustration** on **page 11** for details.

IMPORTANT: Make-up air openings **SHOULD NOT** be located near duct work exhaust outlets. If make-up air opening is too close to the exhaust outlet, lint and fumes may be drawn back into the dryer area through these openings.

Allowances **must** be made for remote or constricting passageways or where dryers are located at excessive altitudes or predominantly low-pressure areas.

IMPORTANT: Make-up air **must** be provided from a source free of dry cleaning fumes. Make-up air that is contaminated by dry cleaning fumes will result in irreparable damage to motors and other dryer components.

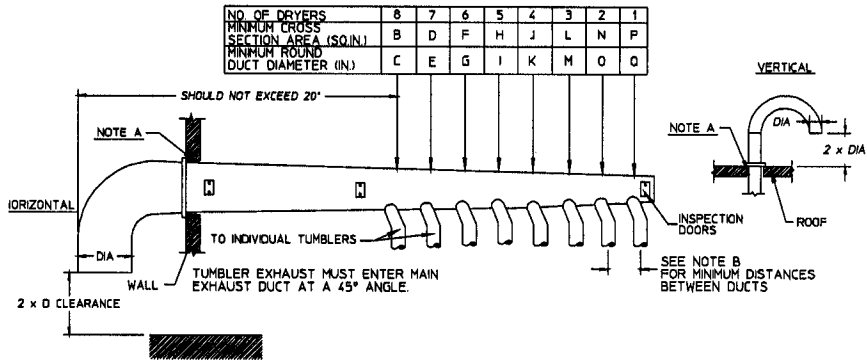


NOTE: Component failure due to dry cleaning fumes VOIDS THE WARRANTY.

E. Exhaust Requirements

Exhaust duct work **should** be designed and installed by a competent technician. Improperly sized duct work will create excessive back pressure which will result in slow drying, increased use of energy, and shutdown of the burner by the airflow (sail) switch, burner hi-limit, or lint chamber hi-heat protector thermostat. Refer to the **illustrations** on **page 12 through page 17** for details.

MULTIPLE DRYER VENTING
WITH AN "A" DIAMETER EXHAUST CONNECTIONS AT COMMON DUCT



IMPORTANT: NO MORE THAN 8 DRYERS CAN BE CONNECTED TO ONE COMMON DUCT (VENT).

<p><u>FORMULAS TO CALCULATE DUCTING CROSS SECTIONAL AREA</u></p> <p>CROSS SECTIONAL AREA OF A ROUND DUCT = $785 \times \text{DIA}^2$</p> <p>CROSS SECTIONAL AREA OF A RECTANGULAR DUCT = WIDTH \times HEIGHT</p>	
--	--

NOTE A: OPENING MUST BE TWO (2) INCHES LARGER THAN DUCT (ALL THE WAY AROUND). THE DUCT MUST BE CENTERED WITHIN THIS OPENING

NOTE B: AD-15, AD-30 = 31 3/8"
AD-25, AD-50 = 34 1/4"
AD-285 = 28 1/2"

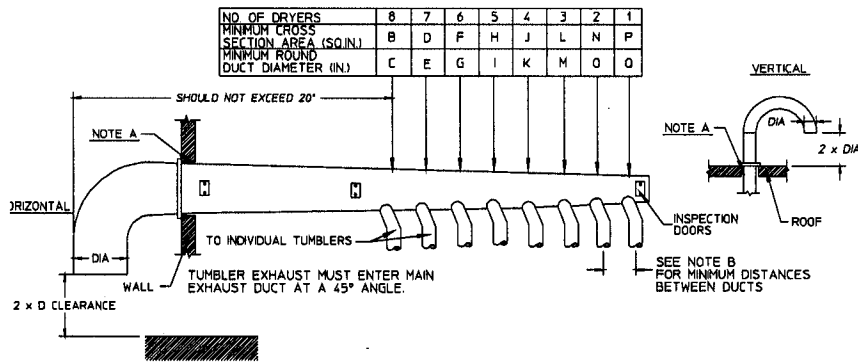
WL 10/05/93
JEV 04/14/94

MAN1169

A	B	C	D	E	F	G	H	I	J	K	L	M	N	O	P	Q
6"	255	18	255	18	200	16	200	16	155	14	115	12	80	10	50	8

Dryer Exhaust Duct Size: 6"
 Dryer Airflow: 375 cfm
 Model Number: AD-15, AD-25, AD-285, AD-30, AD-50, UD-50
 Heat Reclaimer: Yes
 Controls: Coin

MULTIPLE DRYER VENTING
WITH AN "A" DIAMETER EXHAUST CONNECTIONS AT COMMON DUCT



IMPORTANT: NO MORE THAN 8 DRYERS CAN BE CONNECTED TO ONE COMMON DUCT (VENT).

<p><u>FORMULAS TO CALCULATE DUCTING CROSS SECTIONAL AREA</u></p> <p>CROSS SECTIONAL AREA OF A ROUND DUCT = .785 x DIA²</p> <p>CROSS SECTIONAL AREA OF A RECTANGULAR DUCT = WIDTH x HEIGHT.</p>	
---	--

NOTE A: OPENING MUST BE TWO (2) INCHES LARGER THAN DUCT (ALL THE WAY AROUND). THE DUCT MUST BE CENTERED WITHIN THIS OPENING.

NOTE B: AD-25, AD-50 ... 34 1/4"
AD-30 ... 31 3/8"

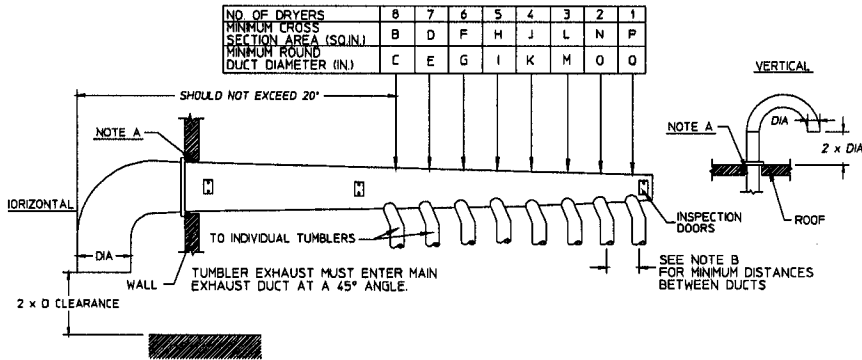
WL 11/19/92

MAN1150

A	B	C	D	E	F	G	H	I	J	K	L	M	N	O	P	Q
8"	380	22	315	20	315	20	255	18	200	16	155	14	115	12	80	10

Dryer Exhaust Duct Size: 8"
 Dryer Airflow: 600 cfm
 Model Number: AD-25, AD-30, AD-50, UD-50
 Heat Reclaimer: No
 Controls: Coin

MULTIPLE DRYER VENTING
WITH AN "A" DIAMETER EXHAUST CONNECTIONS AT COMMON DUCT



IMPORTANT: NO MORE THAN 8 DRYERS CAN BE CONNECTED TO ONE COMMON DUCT (VENT).

FORMULAS TO CALCULATE DUCTING CROSS SECTIONAL AREA

CROSS SECTIONAL AREA OF A ROUND DUCT = .785 x DIA²

CROSS SECTIONAL AREA OF A RECTANGULAR DUCT = WIDTH x HEIGHT.

NOTE A: OPENING MUST BE TWO (2) INCHES LARGER THAN DUCT (ALL THE WAY AROUND). THE DUCT MUST BE CENTERED WITHIN THIS OPENING.

NOTE B: AD - 15 ... 31 3/8"
AD - 24 ... 28 1/2"

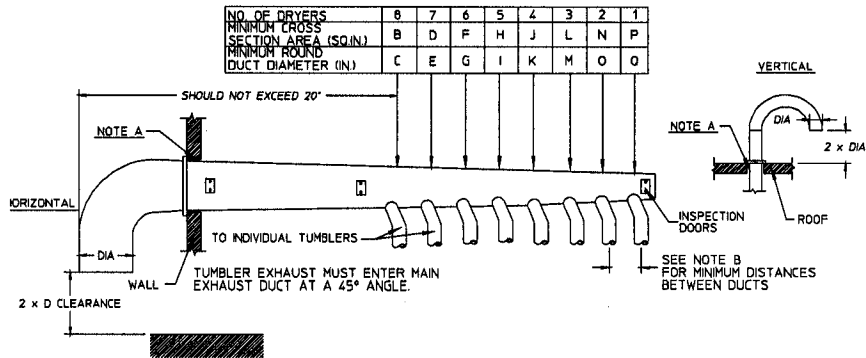
WL 11/19/92

MAN1148

A	B	C	D	E	F	G	H	I	J	K	L	M	N	O	P	Q
6"	380	22	315	20	315	20	255	18	200	16	155	14	115	12	80	10

Dryer Exhaust Duct Size: 6"
 Dryer Airflow: 600 cfm
 Model Number: AD-15, AD-24
 Heat Reclaimer: No
 Controls: Coin

MULTIPLE DRYER VENTING
WITH AN "A" DIAMETER EXHAUST CONNECTIONS AT COMMON DUCT



IMPORTANT: NO MORE THAN 8 DRYERS CAN BE CONNECTED TO ONE COMMON DUCT (VENT).

<p>FORMULAS TO CALCULATE DUCTING CROSS SECTIONAL AREA</p> <p>CROSS SECTIONAL AREA OF A ROUND DUCT = .785 x DIA²</p> <p>CROSS SECTIONAL AREA OF A RECTANGULAR DUCT = WIDTH x HEIGHT.</p>	
---	--

NOTE A: OPENING MUST BE TWO (2) INCHES LARGER THAN DUCT (ALL THE WAY AROUND). THE DUCT MUST BE CENTERED WITHIN THIS OPENING.

NOTE B: AD - 75 38 1/4'

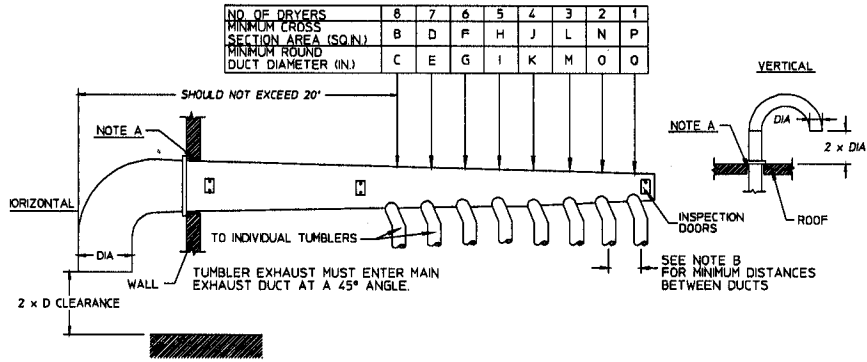
WL 11/19/92

MAN0621

A	B	C	D	E	F	G	H	I	J	K	L	M	N	O	P	Q
8"	455	24	380	22	380	22	315	20	255	18	200	16	155	14	115	12

Dryer Exhaust Duct Size: 8"
 Dryer Airflow: 900 cfm
 Model Number: AD-75
 Heat Reclaimer: Yes
 Controls: Coin

MULTIPLE DRYER VENTING
WITH AN "A" DIAMETER EXHAUST CONNECTIONS AT COMMON DUCT



IMPORTANT: NO MORE THAN 8 DRYERS CAN BE CONNECTED TO ONE COMMON DUCT (VENT).

<p>FORMULAS TO CALCULATE DUCTING CROSS SECTIONAL AREA</p> <p>CROSS SECTIONAL AREA OF A ROUND DUCT = $785 \times \text{DIA}^2$</p> <p>CROSS SECTIONAL AREA OF A RECTANGULAR DUCT = WIDTH \times HEIGHT.</p>	
---	--

NOTE A: OPENING MUST BE TWO (2) INCHES LARGER THAN DUCT (ALL THE WAY AROUND). THE DUCT MUST BE CENTERED WITHIN THIS OPENING.

NOTE B: AD - 75 ... 38 1/4"

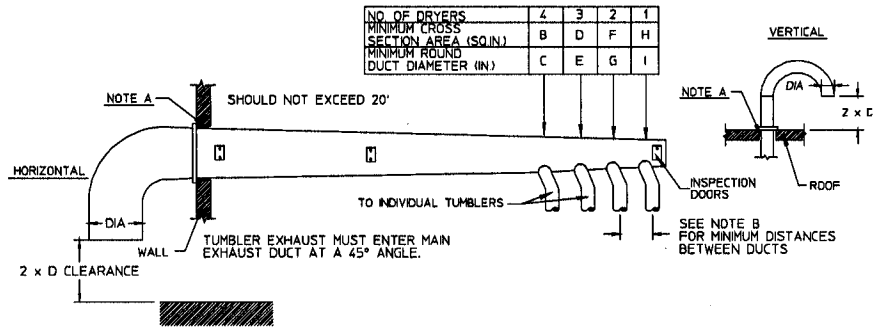
WL 11/19/92

MAN0621

A	B	C	D	E	F	G	H	I	J	K	L	M	N	O	P	Q
8"	530	26	455	24	455	24	380	22	315	20	255	18	200	16	115	12

Dryer Exhaust Duct Size: 8"
 Dryer Airflow: 1100 cfm
 Model Number: AD-75
 Heat Reclaimer: No
 Controls: Coin

MULTIPLE DRYER VENTING
WITH AN "A" DIAMETER EXHAUST CONNECTIONS AT COMMON DUCT



IMPORTANT: NO MORE THAN 4 DRYERS CAN BE CONNECTED TO ONE COMMON DUCT (VENT).

FORMULAS TO CALCULATE DUCTING CROSS SECTIONAL AREA

CROSS SECTIONAL AREA OF A ROUND DUCT = $.785 \times \text{DIA}^2$

CROSS SECTIONAL AREA OF A RECTANGULAR DUCT = WIDTH x HEIGHT

NOTE A: OPENING MUST BE TWO (2) INCHES LARGER THAN DUCT (ALL THE WAY AROUND). THE DUCT MUST BE CENTERED WITHIN THIS OPENING.

NOTE B: AD - 75 ... 38 1/4"

WL 11/19/92

MAN1147

A	B	C	D	E	F	G	H	I
10" Non-Rev	315	20	255	18	200	16	115	12
10" Reversing	455	24	380	22	255	18	155	14

Dryer Exhaust Duct Size: 10"
 Dryer Airflow: 1,100 cfm for non-rev.; 1,900 cfm for reversing
 Model Number: ADS-75
 Heat Reclaimer: No
 Controls: Coin

CAUTION: Improperly sized or installed exhaust duct work can create a potential fire hazard.

Where possible, it is desirable to provide a separate exhaust air duct for each dryer. The duct should go as directly as possible to the outside air. Avoid sharp 90° right-angle turns in the ducting; use 30° or 45° angles instead. The radius of the elbows should preferably be 1-1/2 times the diameter of the duct. It is suggested that the duct work from each dryer not exceed twenty (20) feet with no more than two (2) elbows (excluding dryer connections and outside exhaust outlets). If the duct work exceeds twenty (20) feet or has numerous elbows, the cross section area of the duct work **must be** increased in proportion to the length and number of elbows in it. In calculating duct size, the cross section area of a square or rectangular duct must be increased by twenty (20) percent for each additional twenty (20) feet. The diameter of a round exhaust duct **must be** increased ten (10) percent for each additional fifteen (15) feet. Each 90° elbow is equivalent to an additional fifteen (15) feet, and each 45° elbow is equivalent to an additional ten (10) feet.

IMPORTANT: For extended duct work runs, the cross section area of the duct work can only be increased to an extent. Maximum proportional duct work runs **cannot** exceed twenty (20) feet more than the original limitations of twenty (20) feet with two (2) elbows. When the duct work approaches the maximum limits as noted in this manual, a professional heating venting air conditioning (HVAC) firm should be consulted for proper venting information.

To protect the outside end of the duct from the weather, it may be bent downward as indicated on [page 12 through page 17](#). Leave at least twice the diameter of the duct clearance between the ducting opening and the nearest obstruction. If the exhaust duct goes through the roof, it may be protected from the weather by using a 180° turn to point the opening downward. Allow at least twice the diameter of the duct as clearance from the nearest obstruction.

Do not use screens or caps on the outside opening of the exhaust duct. The ducting **should be** smooth inside with no projections from sheet metal screws or other obstructions which will collect lint. When adding ducts, the duct to be added should overlap the duct to which it is to be connected. Provide inspection doors for periodic clean-out of lint from the main duct.

If it is not feasible to provide separate exhaust ducts for each dryer, ducts from the individual dryers may be channeled into a common main duct. Each dryer is provided with a back draft damper. The individual ducts should enter the bottom or side of the main duct at an angle not more than 45°. The main duct **should be** tapered with the diameter increasing before each individual duct is added.

Inadequate exhaust facilities may cause high temperature limit switches or airflow switches to shut off the dryers. **Do not** disable the switches, which are provided for your safety. Instead, investigate the exhaust ducting. Any obstruction or air friction due to numerous elbows/fittings in the ducting will slow the passage of air through the system with resulting inefficiency and potential fire hazard.

IMPORTANT: Exhaust back pressure measured by a manometer at each basket exhaust duct area **should not** exceed 0.3 inches of water column.

NOTE: Where the exhaust duct work passes through a wall, ceiling, or roof made of combustible materials, the opening **must be** 2 inches larger (all the way around) than the duct. The duct **must be** centered within this opening.

F. Electrical Information

1. Electrical Requirements

It is your responsibility to have all electrical connections made by a properly licensed and competent electrician to assure that the electrical installation is adequate and conforms with local and state regulations or codes. In the absence of such codes, all electrical connections, material, and workmanship must conform to the applicable requirements of the NATIONAL ELECTRIC CODE ANSI/NFPA NO. 70-LATEST EDITION.

IMPORTANT: Failure to comply with these codes or ordinances and/or the requirements stipulated in this manual can result in personal injury or component failure.

NOTE: Component failure due to improper installation VOIDS THE WARRANTY.

A separate circuit serving each dryer must be provided. The dryer **must** be connected to copper wire only. **Do not use aluminum wire** which could cause a fire hazard.

NOTE: The use of aluminum wire VOIDS THE WARRANTY.

2. Electrical Service Specifications

(See Section VI for details)

a. Electric Service

1) GAS and STEAM DRYERS ONLY

IMPORTANT: The dryer **must be** connected to the electrical supply shown on the data label affixed to the dryer. In the case of 208 VAC or 240 VAC, the supply voltage **must match** the electric service specifications of the data label exactly.

WARNING: 208 VAC AND 240 VAC ARE NOT THE SAME. Any damage done to dryer components due to improper voltage connections will automatically **VOID THE WARRANTY.**

NOTE: On gas dryers, to convert from 208 VAC to 240 VAC (or vice versa), the direct spark ignition (DSI) transformer wiring **must be** changed.

2) ELECTRIC DRYERS ONLY

All electrically heated dryers **must be** connected to the electric supply service shown on the dryer's data label which is affixed to the back side of the control (service) door. The connecting wires **must be** properly sized to handle the rated current.

NOTE: Component failure due to improper voltage application will **VOID THE WARRANTY.**

3. Grounding

A ground (earth) connection **must be** provided and installed in accordance with state and local codes. In the absence of these codes, grounding must conform to applicable requirements of the NATIONAL ELECTRIC CODE (ANSI/NFPA NO. 70-LATEST EDITION). The ground connection may be to a proven earth ground at the location service panel.

For added personal safety, when possible, it is suggested that a separate ground wire (no. 18 minimum) be connected from the ground connection of the dryer to a grounded cold water pipe. **Do not ground to a gas pipe or hot water pipe.** The grounded cold water pipe **must have** metal to metal connection all the way to electrical ground. If there are any nonmetallic interruptions, such as, a meter, pump, plastic, rubber, or other insulating connectors, they **must be** jumped with no. 4 copper wire and securely clamped to bare metal at both ends.

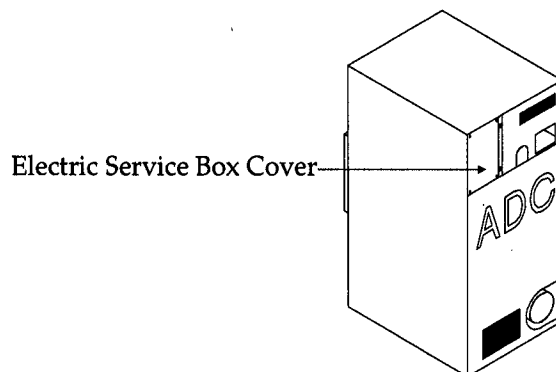
IMPORTANT: For personal safety and proper operation, the dryer **must be** grounded.

4. Electrical Connections

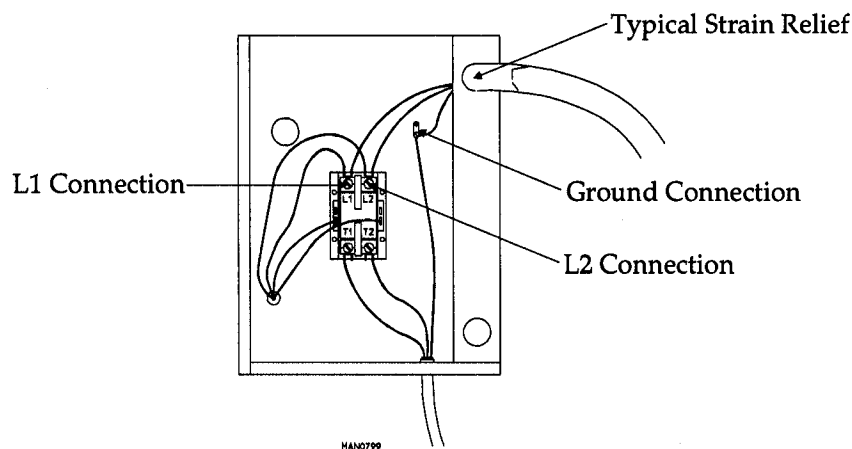
A wire diagram is located in the front control/wire box.

a. GAS and STEAM DRYERS ONLY - Single-Phase (1Ø) Hookup

The electrical connections on all single-phase (1Ø) gas and steam dryers are made into the junction box located at the upper left corner at the rear of the dryer.



Single-Phase (1 \emptyset) Electrical Connection Leads		
Black + Positive	White - Neutral	Green Ground
or L2		

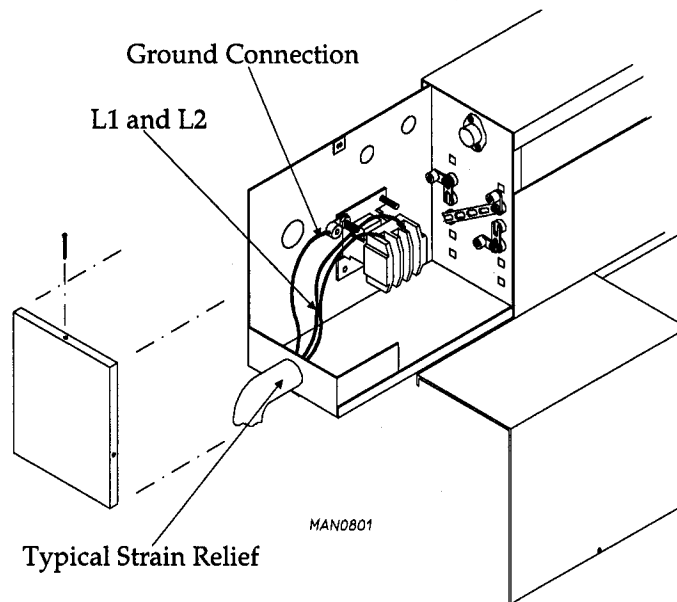


If local codes permit, power to the dryer can be made by the use of a flexible U.L. listed power cord/pigtail (wire size **must conform** to rating of dryer), or the dryer can be hard wired directly to the service breaker panel. In both cases, a strain relief **must be** installed where the wiring enters the dryer.

b. ELECTRIC DRYERS ONLY - Single-Phase (1 \emptyset) Hookup

The electrical input connection is made into the electric oven contactor located at the upper rear of the dryer. Input connection wiring **must be** sized properly to handle the dryer's current draw. This information is printed on the dryer's data label.

NOTE: A separate circuit serving each dryer **must be** provided.

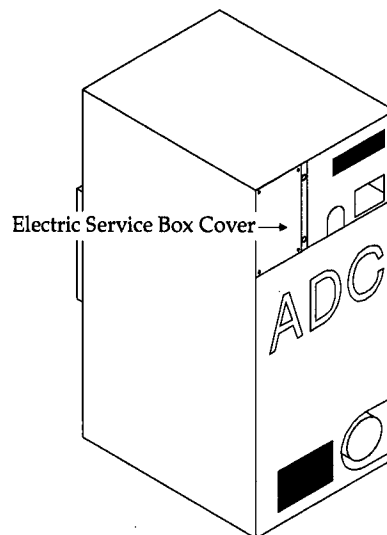


5. 3-Phase (3Ø) Wiring Connections

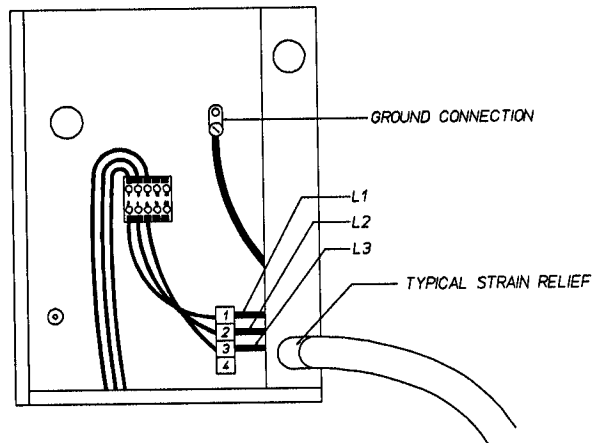
The only electrical input connections to the dryer are the 3-phase (3Ø) power leads (L1, L2, L3, and sometimes Neutral) and ground. Single phase (1Ø) power for the control circuit and for any single-phase (1Ø) motors (if present) is done internally to the dryer. No single-phase (1Ø) input connection is required on a 3-phase (3Ø) dryer.

a. GAS and STEAM DRYERS ONLY 3-Phase (3Ø) Hookup

For gas and steam dryers manufactured for operation at 3-phase (3Ø), the electrical connections are made at the power distribution block located in the service box at the rear, upper left corner of the dryer. To gain access to the service box and contactor, the service box cover **must be removed**.



Providing local codes permit, power to the dryer can be made by the use of a flexible U.L. listed cord/pigtail (wire size **must conform** to the rating of the dryer), or the dryer can be hard wired directly to the service breaker. In all cases, a strain relief **should be used** both where the wiring enters the dryer and the service box.



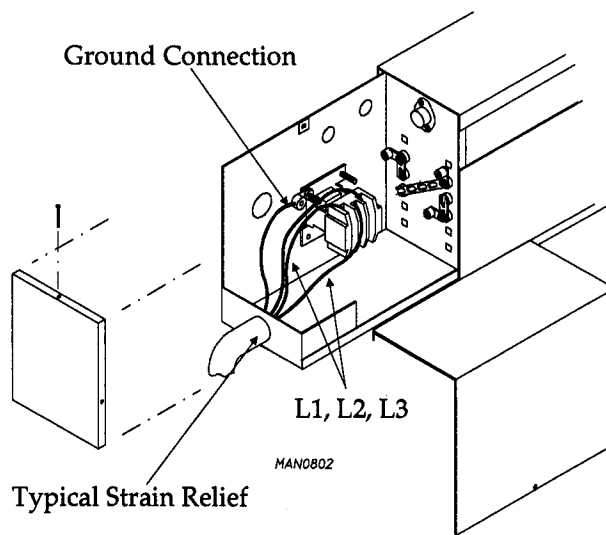
b. ELECTRIC DRYERS ONLY - 3-Phase (3Ø) Hookup

The electrical input connection is made into the electric oven contactor located at the upper rear of the dryer. Input connection wiring **must be** sized properly to handle the dryer's current draw. This information is printed on the dryer's data label.

CAUTION: The dryer **must be** grounded. A ground lug has been provided in the service box for this purpose.

NOTE: A separate circuit serving each dryer **must be** provided.

The only electrical connections to the dryer are the 3-phase (3Ø) leads (L1, L2, L3, and sometimes Neutral) and ground. Single-phase (1Ø) power for the control circuit is done by the factory at the contactor (relay), and no other wiring connections are necessary.



G. Gas Information

It is your responsibility to have all plumbing connections made by a qualified professional to insure that the gas plumbing installation is adequate and conforms with local and state regulations or codes. In the absence of such codes, all plumbing connections, material, and workmanship **must conform** to the applicable requirements of the National Fuel Gas Code ANSI Z223.1-latest edition.

IMPORTANT: Failure to comply with these codes or ordinances, and/or the requirements stipulated in this manual, can result in personal injury and improper operation of the dryer.

The dryer and its individual shut-off valve **must be** disconnected from the gas supply piping system during any pressure testing of that system at test pressures in excess of 1/2 psig (3.5 kPa). The dryer **must be** isolated from the gas supply piping system by closing its individual manual shut-off valve during any pressure testing of the gas supply piping system at test pressures equal to or less than 1/2 psig (3.5 kPa).

IMPORTANT: Failure to isolate or disconnect dryer from supply as noted can cause irreparable damage to the gas valves VOIDING WARRANTY.

WARNING: FIRES OR EXPLOSION COULD RESULT.

1. Gas Supply

The gas dryer installation must meet the American National Standard ... National Fuel Gas Code Z223.1-latest edition, as well as local codes and ordinances and must be done by a qualified professional.

NOTE: Undersized gas piping will result in ignition problems, slow drying, increased use of energy, and can create a safety hazard.

The dryer must be connected to the type of heat/gas indicated on the dryer data label. If this information does not agree with the type of gas available, **do not** operate the dryer. Contact the distributor who sold the dryer or the ADC factory.

IMPORTANT: Any burner changes or conversions **must be** made by a qualified professional.

The input ratings shown on the dryer data label are for elevations of up to 2,000 feet, unless elevation requirements of over 2,000 feet were specified at the time the dryer order was placed with the factory. The adjustment or conversion of the dryers in the field for elevations over 2,000 feet are made by changing each burner orifice. If this conversion is necessary, contact the distributor who sold the dryer or the ADC factory.

2. Technical Gas Data

a. Natural Gas

The natural gas supply pressure to the dryer **must be** between 6 and 12 inches water column. If the pressure is too low, ignition failure and/or slow drying times may result. Excessively high supply pressure will result in erratic operation of the gas valve's internal pressure regulator. The pressure measured at the pressure tap on the body of the gas valve must be 4-inches water column.

b. Liquid Petroleum (L.P.) Gas

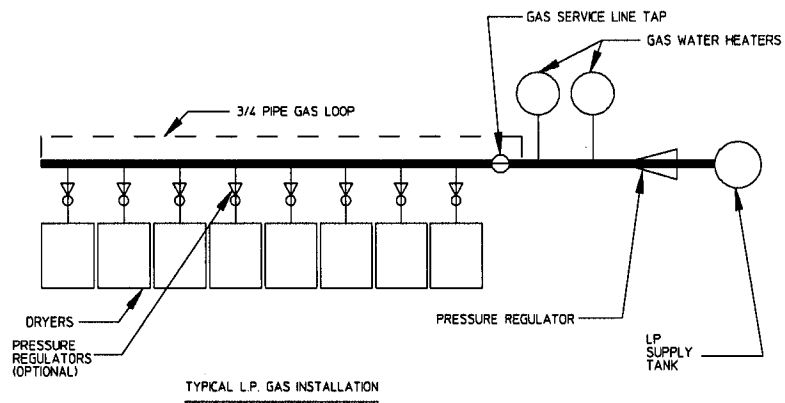
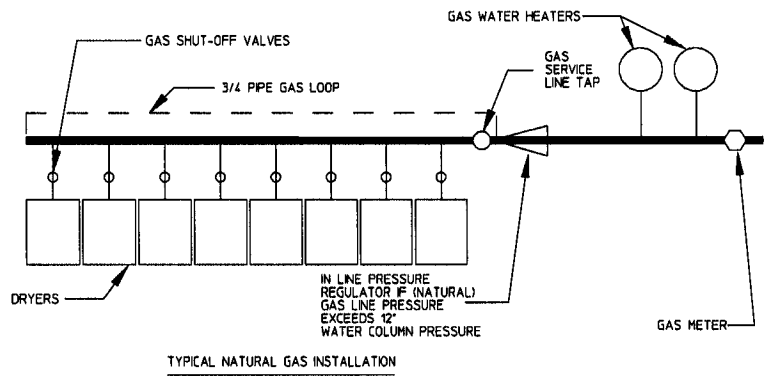
Dryers made for use with L.P. gas have the gas valve pressure regulator blocked open, so that the gas pressure **must be** regulated upstream of the dryer. The pressure measured at the gas valve body pressure tap **must be** 11-inches water column. There is no regulator provided on an L.P. dryer. The water column pressure **must be** regulated at the source (L.P. tank), or an external regulator must be added to each dryer.

3. Piping/Connections

The dryer is provided with a 1/2" N.P.T. (model ADG-75 has a 3/4") inlet pipe connection extending out the rear area or through the top of the dryer. For ease of servicing, the gas supply line of each dryer should have its own shut-off valve.

The size of the gas supply line (header) will vary depending on the distance this supply line travels from the gas meter or, in the case of L.P. gas, the supply tank, the number of tees, other gas-operated appliances, etc. Specific information regarding supply line size **should be** determined by the gas supplier.

NOTE: Undersized gas supply piping can create a low or inconsistent gas pressure which will result in erratic operation of the burner ignition system.



MAN0132

Consistent gas pressure is essential at all gas connections. It is recommended that a 3/4-inch pipe gas loop be installed in the supply line serving the bank of dryers. An inline pressure regulator **must be** installed in the gas supply line (header) if (natural) gas line pressure exceeds 12-inches water column pressure. Refer to the **illustrations** on **page 29** for details.

IMPORTANT: Water column pressure of 4.0 inches for natural gas dryers and 11.0 inches for L.P. dryers is required at the gas valve pressure tap of each dryer for proper and safe operation.

A 1/8" N.P.T. plugged tap, accessible for test gauge connection, **must be** installed in the main gas supply line immediately upstream of each dryer.

IMPORTANT: Pipe joint compounds that resist the action of natural gas and L.P. gas **must be** used.

WARNING: Test all connections for leaks by brushing on a soapy water solution (liquid detergent also works well). **NEVER TEST FOR GAS LEAKS WITH A FLAME.**

All components/materials **must conform** to NATIONAL FUEL GAS CODE specifications. It is important that gas pressure regulators meet applicable pressure requirements and that gas meters be rated for the total amount of appliance Btu's being supplied.

H. Steam Piping Hookup

Piping **must be** installed in accordance with good commercial steam system practice.

Care **must be** exercised when leveling steam dryers in final position. After leveling the dryer, check the downward pitch of the heat exchanger from front to rear with a level. Likewise, check the downward pitch of the return condensate manifold toward its outlet part. Absence of these downward pitches will result in probable water hammer and premature heat exchanger fracture and leakage.

The presence of condensate in the steam will cause water hammer and subsequent heat exchanger failure. The steam supply connection **must** be taken from the top of a well-dripped steam main. If the supply run-out to the dryer exceeds twenty (20) feet, it **should be** dripped just before the control valve with a proper trap and dirt pocket.

Low-Pressure (up to 15 psi) or High-Pressure (16-125 psi) Damper Models

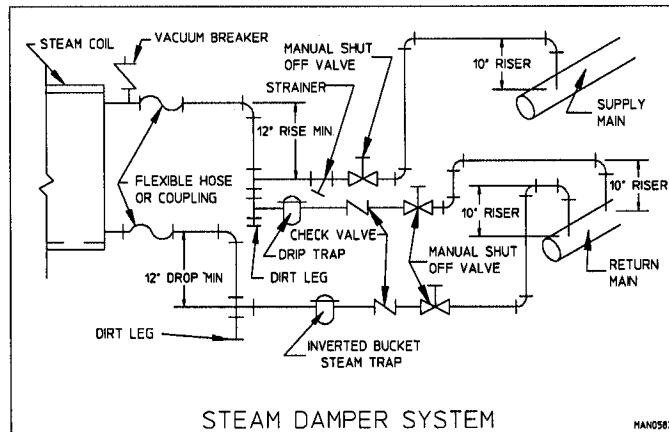
Adherence to the following instructions is necessary to eliminate coil failures due to water hammer caused by wet steam.

The ADC steam dryer uses a damper system instead of an electric steam valve to control the dryers' temperature. On a call for heat the steam damper opens allowing room air to be drawn through the steam coil, then into the basket (tumbler). Once the set point temperature has been reached, the steam damper closes and room air now bypasses the steam coil and passes directly into the basket (tumbler).

The presence of condensate in the steam supply will cause water hammer and subsequent heat exchanger failure. The steam supply connection into the main supply line **must be** made with a minimum 10-inch riser. This will prevent any condensate from draining towards the dryer.

The steam supply piping to the dryer must include a 12-inch rise along with a drip trap and check valve. This will prevent any condensate from entering the steam coil. Flexible hoses or couplings **must be** used. The dryer vibrates slightly when it runs and this will cause the steam coil connections to crack if they are hard piped to the supply and return mains.

Shut-off valves for each dryer **should be** installed in the supply, return, and drip trap return lines. This will allow the dryer to be isolated from the supply and return mains if the dryer needs maintenance work.



Install an inverted bucket steam trap and check valve at least 12-inches below the steam coil as near to the coil as possible. A vacuum breaker **should be** installed in the piping. This will prevent the condensing steam from causing a vacuum inside the coil possibly damaging the coil. The supply and return lines **should be** insulated. This will save energy and provide for the safety of the operator and maintenance personnel.

Water pockets in the supply line, caused by low points, will provide wet steam to the coil possibly causing coil damage. All horizontal runs of steam supply piping **should be** pitched 1/4-inch every foot back towards the steam supply header causing any condensate in the line to drain to the header. Install a bypass trap in any low point to eliminate wet steam.

a. Steam Damper Air System Connections

The pneumatic (piston) damper system requires an external supply of compressed air. The air connection is made to the system solenoid valve which is located at the rear inner top area of the dryer.

1) Air Requirements

Compressed Air Supply	Air Pressure
Normal	80 psi
Minimum Supply	70 psi
Maximum Supply	90 psi

2) Air Connection

Air connection to system --- 1/8" N.P.T.

3) Air Regulation

No air regulation is provided with the dryer. External regulation of 80 psi **must be** provided. It is suggested that a regulator/filter gauge arrangement be added to the compressed air line just before the dryer connection. This is necessary to insure that correct and clean air pressure is achieved.

b. Steam Damper System Operation

The steam damper, as shown in the illustration below, allows the coil to stay constantly charged eliminating repeated expansion and contraction. When the damper is opened, the air immediately passes through the already hot coil, providing instant heat to start the drying process. When the damper is closed, ambient air is drawn directly into the basket (tumbler), allowing a rapid cool down.

Diagram 1 shows the damper in the heating (open) mode, allowing heat into the basket (tumbler).

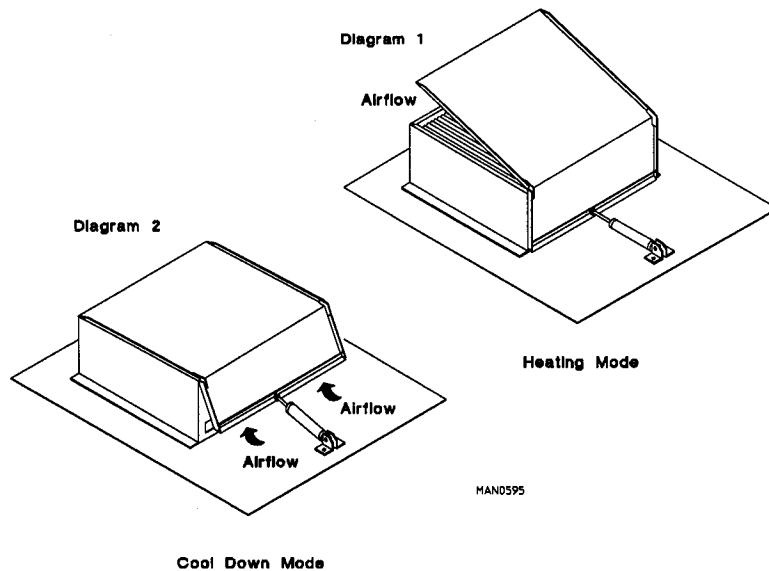
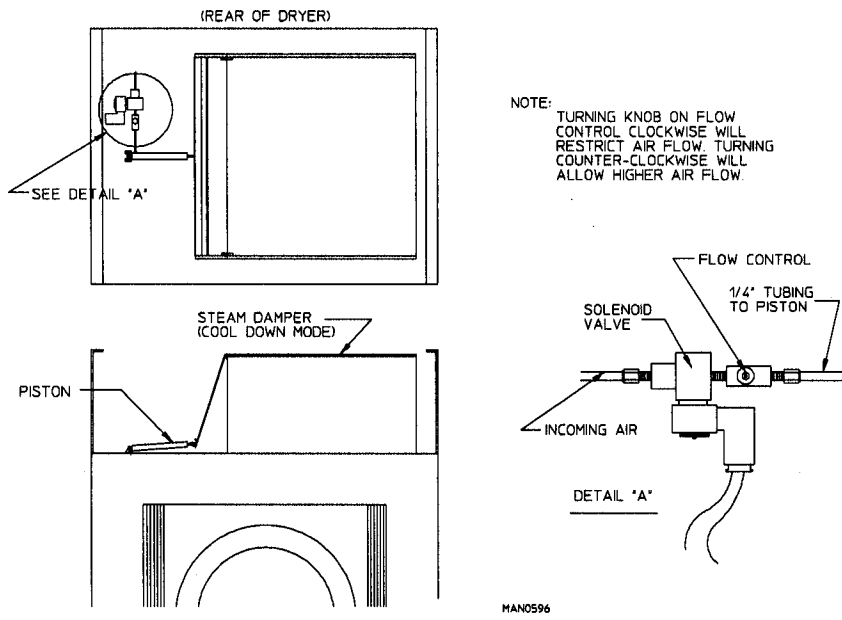


Diagram 2 shows the damper in the cool down (closed) mode, pulling ambient air directly into the basket (tumbler) without passing the coils.

NOTE: With the dryer off or with no air supply, the damper is in the cool down mode as shown in Diagram 2.

c. Steam Damper Air Piston (Flow Control) Operation Adjustment

Damper operation was tested and adjusted prior to shipping at 80 psi. If damper air adjustment is necessary, locate flow control valve and make necessary adjustments as noted below.



I. Preparation for Operation

The following items **should be** checked before attempting to operate the dryer:

1. Read and follow all "caution," "warning," and "direction" labels attached to the dryer.
2. Check incoming supply voltage to be sure that it is the same as indicated on the dryer data label located on the back of the dryer control (service) door.
3. Check to assure that the dryer is connected to the type of heat/gas indicated on the dryer data label (GAS MODELS ONLY).
4. The sail switch damper assembly is installed and pre-adjusted at the factory prior to dryer shipment. However, the sail switch adjustment **must be** checked to assure that this important safety control is functioning (GAS and ELECTRIC MODELS ONLY).
5. Check bolts, nuts, screws, terminals, and fittings for tightness.
6. Be sure all gas shut-off valves are in the open position (GAS MODELS ONLY).
7. Be sure all back guard panels and service box covers have been replaced.
8. Make sure the lint coop support bracket has been removed.
9. Check the lint door to assure that it is closed and secured in place.

IMPORTANT: If during installation the lint door safety chain was disconnected, it **must be** reconnected or personal injury may result.

10. Rotate the basket (tumbler) by hand to be sure it moves freely.

11. Check to insure all steam shut-off valves are open (STEAM MODELS ONLY).
12. Check to insure that a clean, dry, regulated air supply (80 psi) is on the dryer (STEAM MODELS with DAMPER SYSTEM ONLY).

I. Preoperational Test

All dryers are thoroughly tested and inspected before leaving the factory. However, a preoperational test **should be** performed before the dryer is publicly used. It is possible that adjustments have changed in transit or due to marginal location (installation) conditions.

1. Turn on electric power to dryer.
2. Refer to the Operating Instructions for starting your particular model dryer.

3. GAS DRYERS

- a. When a gas dryer is first started (during initial startup), it has a tendency not to ignite on the first ignition attempt. This is because the gas supply piping is filled with air, so it may take a few minutes for the air to be purged from the lines.

NOTE: During the purging period, check to be sure that all gas shut-off valves are open.

NOTE: Gas dryers are equipped with a Direct Spark Ignition (DSI) system which has internal diagnostics. If ignition is not established after three (3) attempts, the heat circuit in the DSI module will lock out until it is manually reset. To reset the DSI system, open and close the main door and restart the dryer.

- b. A gas pressure test **should be** taken at the gas valve pressure tap of each dryer to assure that the water column pressure is correct and consistent.

NOTE: Water column pressure requirements (measured at the pressure tap on the gas valve body):

Natural Gas ---- 4.0 Inches Water Column

L.P. Gas ----- 11.0 Inches Water Column

IMPORTANT: There is no regulator provided in an L.P. dryer. The water column pressure **must be regulated** at the source (L.P. tank) or an external regulator **must be added** to each dryer.

4. Make a complete operational check of all safety related circuits:

- a. Door switch(es)
- b. Hi-limit thermostat
- c. Cycling thermostat
- d. Sail switch (GAS and ELECTRIC MODELS ONLY)

NOTE: The sail switch can be checked for proper operation by opening the lint door while the heating circuit (gas burner/electric oven) is active (on). The heating unit should shut off within a few seconds. If not, make necessary adjustments to sail switch.

5. Make a complete operational check of all operating controls.

NOTE: If computer program changes are required, refer to the computer programming section of the manual supplied with the dryer.

6. The dryer **should be** operated through one (1) complete cycle to assure that no further adjustments are necessary and that all components are functioning properly.

IMPORTANT: The dryer basket (tumbler) is treated with a protective coating. ADC suggests tumbling old clothes or material in the basket (tumbler), using a mild detergent to remove the protective coating.

7. Check the electric service phase sequence (3-phase [3Ø] models only). While the dryer is operating, check to see if the blower wheel (impellor/ fan) is rotating in the proper direction. Looking from the front, the blower wheel should spin in the clockwise direction. If it is, the phasing is correct. If the phasing is incorrect, reverse the two (2) leads at connections L1, L2, or L3 of the power supply to the dryer.

IMPORTANT: If the blower wheel (impellor/ fan) is rotating in the wrong direction, this will not only drastically reduce drying efficiency, but it can also cause premature component failure.

K. Preoperational Instructions

1. Automatic Mode (Microprocessor [Computer] Models)

- a. When turning on power or when no cycle is in progress, the L.E.D. display will read "FILL" and/or "Amount to Start."
- b. Insert coin(s). Once correct "Amount to Start" has been inserted the L.E.D. display will read "PUSH."
- c. Select temperature by pushing "HI TEMP," "LO TEMP," or "PERM PRESS." The dryer will start, the L.E.D. display will read the temperature cycle selected, and the drying time portion of the L.E.D. display will read "00" and count upward as time elapses.

NOTE: If the door is opened during a cycle, both the heat and motor will stop. However, the microprocessor controller (computer) will continue to count downward in time. Continuation of the cycle will resume only after the door has been closed and any one of the three (3) temperature selection buttons is again depressed.

- d. Once the preprogrammed dryness level and cool down period have been reached or maximum automatic time has expired, the tone (buzzer) will sound for five (5) seconds, and the L.E.D. display will read "donE," at which time the dryer will shut off.

NOTE: 1. If the anti-wrinkle program is active, the L.E.D. display will continue to read "donE," and the microprocessor controller (computer) will proceed through the anti-wrinkle program until the maximum "Active Guard Time" has expired or until the door is opened, whichever comes first. The L.E.D. display will read "FILL" and/or "Amount to Start."

2. If the anti-wrinkle program is not active or in use, the L.E.D. display will read "FILL" and/or "Amount to Start."

2. Timed Mode (Microprocessor [Computer] Models)

- a. When turning on power or when no cycle is in progress, the L.E.D. display will read "FILL" and/or "Amount to Start."
- b. Insert coin(s). Once correct "Amount to Start" has been inserted the L.E.D. display will read "PUSH."
- c. Select temperature by pushing "HI TEMP," "LO TEMP," or "PERM PRESS." The dryer will start, and the L.E.D. display will read the temperature cycle selected and the drying time.
- d. The dryer will continue through the drying and cooling cycles, showing time counting downward.

NOTE: If the door is opened during a cycle, both the heat and motor will stop. However, the microprocessor controller (computer) will continue to count down in time. Continuation of the cycle will resume only after the door has been closed and any one of the three (3) temperature selection buttons is again depressed.

- e. Upon completion of drying and cooling cycles, the tone (buzzer) will sound for five (5) seconds, and the L.E.D. display will read "donE," at which time the dryer will shut off.

NOTE: 1. If the anti-wrinkle program is active, the L.E.D. display will continue to read "donE," and the micro-processor (computer) will proceed through the anti-wrinkle program until the maximum "Active Guard Time" has expired or until the door is opened, whichever comes first. The L.E.D. display will read "FILL" and/or "Amount to Start."

2. If the anti-wrinkle program is not active or in use, the display will read "FILL" and/or "Amount to Start."

3. Free Dry Mode (Computer Models)

- a. When turning on power or when no cycle is in progress, the L.E.D. display will read "FILL" and/or "FrEE."
- b. Select temperature. The dryer will start, the L.E.D. display will read the temperature cycle selected, and the drying time portion of the L.E.D. display will read "00" and count upward as time elapses, or the vended time will count downward, depending on the program parameter setting.

NOTE: If the door is opened during a cycle, both the heat and motor will stop. However, the microprocessor controller (computer) will continue to count the time, either upward or downward, depending on which parameter is programmed. Continuation of the cycle will resume only after the door has been closed, and one of the three temperature selection buttons is again depressed.

- c. Once the preprogrammed dryness level and cool down period has been reached or maximum automatic time has expired, whichever comes first, the tone (buzzer) will sound for five (5) seconds, and the L.E.D. display will read "donE," at which time the dryer will shut off.

- NOTE:** 1. If the anti-wrinkle program is active, the L.E.D. display will continue to read "donE," and the micro-processor controller (computer) will proceed through the anti-wrinkle program until the maximum "Active Guard Time" has expired or until the door is opened, whichever comes first. The L.E.D. display will read "FILL" and/or "FrEE"
2. If the anti-wrinkle program is not active or in use, the L.E.D. display will read "FILL" and/or "FrEE."

4. Non-Microprocessor (Computer) Models

- a. Turn power on to the dryer.
- b. Insert coin(s) - rotary meter type only.
- c. Select temperature by using rocker switch and selecting "HI TEMP," "LO TEMP," or "PERM PRESS."
- d. Press "Push To Start" button to start the cycle.
- e. Upon completion of the drying and cooling cycles the dryer will shut off.

NOTE: If the door is opened during a cycle, both the heat and motor will stop. Continuation of the cycle will only resume after the door has been closed, and the "Push to Start" button is pressed.

L. Shut Down Instructions

In the case where the dryer is to be shut down (taken out of service) for a period of time, the following **MUST BE** performed:

1. Discontinue power to the dryer either at the external disconnect switch or the circuit breaker.
2. Discontinue the gas supply:
 - a. Shut off external gas supply shut off valve.
 - b. Shut off internal gas supply shut off valve.

SECTION III

SERVICE / PARTS INFORMATION

A. Service

1. Only properly licensed or trained technicians should service the dryer. If service is required, contact the distributor from whom the ADC equipment was purchased. If the distributor cannot be contacted or is unknown, contact the ADC Service Department for a distributor in your area.

NOTE: When contacting the ADC Service Department, be sure to give them the correct **model number** and **serial number** so that your inquiry can be handled in an expeditious manner.

B. Parts

1. Replacement parts **should be** purchased from the distributor from whom the ADC equipment was purchased. If the distributor cannot be contacted or is unknown, contact the ADC Parts Department for a distributor in your area. Parts may also be purchased directly from the factory by faxing to (508) 678-9447 or calling the ADC Parts Department at (508) 678-9010.

NOTE: When ordering directly from the ADC Parts Department, be sure to give them the correct **model number** and **serial number** so that your parts order can be processed in an expeditious manner.

SECTION IV

WARRANTY INFORMATION

A. Returning Warranty Card(s)

1. Before any dryer leaves the ADC test booth area, a warranty card is affixed to the glass of the main door. These warranty cards are intended to serve the customer in two ways. First, when ADC receives the warranty card(s) back from a customer, we mail the appropriate parts manual to the address indicated on the returned card at no charge to the customer. Second, we record the individual installation date of that specific dryer so as to extend the customer's warranty period.
 - a. If a warranty card does not come with the individual dryer, contact the ADC Warranty Department or Service Department at (508) 678-9000.

IMPORTANT: A separate warranty card **must be** completed and returned for each individual dryer.

NOTE: Be sure to include the installation date when returning warranty card(s).

B. Warranty

For a copy of the ADC commercial warranty covering your particular dryer(s), contact the ADC distributor from whom you purchased the equipment and request a commercial dryer warranty form. If the distributor cannot be contacted or is unknown, warranty information can be obtained from the factory by contacting the ADC Warranty Department at (508) 678-9000.

NOTE: Whenever contacting the ADC factory for warranty information, be sure to have the dryer(s) **model number** and **serial number** available so that your inquiry can be handled in an expeditious manner.

C. Returning Warranty Parts

ADC has a Warranty Parts Department that handles all returned warranted merchandise. To expedite processing, the following procedures **must be** followed:

1. **No** parts are to be returned to ADC without prior written authorization ("Return Material Authorization") from the factory.

NOTE: R.M.A.'s are valid for only sixty (60) days from the date of issue.

- a. The R.M.A. issued by the factory, as well as any other correspondence pertaining to the returned part(s), **must be** included inside the package with the failed merchandise.
2. Each part **must be** tagged with the following information:
 - a. The **model number** and **serial number** of the dryer from which the part was removed.
 - b. Nature of Failure (be specific).
 - c. Date of Dryer Installation.
 - d. Date of Part Failure.
 - e. Specify whether the part(s) being returned is for a **replacement**, a **credit**, or a **refund**.

NOTE: If a part is marked for a credit or a refund, the invoice number covering the purchase of the replacement part must be provided.

NOTE: Warranty Tags (ADC Part No. 450064) are available at "No Charge" from ADC upon request.

3. The company returning the part(s) must clearly note the complete company name and address on the outside of the package.
4. All returns **must be** properly packaged to insure that they are not damaged in transit. No replacements, credits, or refunds will be issued for merchandise damaged in transit. Damage claims are the responsibility of the shipper.
5. All returns **should be** shipped to the ADC factory in such a manner that they are insured and a proof of delivery can be obtained by the sender.
6. Shipping charges are **not** the responsibility of ADC. All returns **should be** prepaid to the factory. Any "COD" or "Collect" returns **will not** be accepted.

IMPORTANT: No replacements, credits, or refunds will be issued if the claim cannot be processed due to insufficient information. The party that is filing the claim will be notified in writing by "Certified Mail - Return Receipt Requested," as to the information necessary to process the claim. If a reply is not received by the ADC Warranty Parts Department within thirty (30) days of the letter date, then no replacement, credit, or refund will be issued, and the merchandise **will be discarded**.

SECTION V

ROUTINE MAINTENANCE

A. Cleaning

A program and/or schedule **should be** established for periodic inspection, cleaning and removal of lint from various areas of the dryer, as well as, throughout the duct work system. The frequency of cleaning can best be determined from experience at each location. Maximum operating efficiency is dependent upon proper air circulation. The accumulation of lint can restrict this air flow. If the guidelines in this section are met, an ADC dryer will provide many years of efficient, trouble-free, and most importantly, safe operation.

WARNING: LINT FROM MOST FABRICS IS HIGHLY COMBUSTIBLE. THE ACCUMULATION OF LINT CAN CREATE A POTENTIAL FIRE HAZARD.

WARNING: KEEP DRYER AREA CLEAR AND FREE FROM COMBUSTIBLE MATERIALS, GASOLINE AND OTHER FLAMMABLE VAPORS AND LIQUIDS.

NOTE: Suggested time intervals shown are for average usage which is considered six (6) to eight (8) operational (running) hours per day.

DAILY (beginning of each work shift)

Clean lint from lint drawer/screen. Inspect lint screen and replace if torn.

WEEKLY

Clean lint accumulation from lint chamber, thermostat, and microprocessor temperature sensor (sensor bracket) area.

WARNING: TO AVOID THE HAZARD OF ELECTRICAL SHOCK, DISCONTINUE ELECTRICAL SUPPLY TO THE DRYER.

STEAM DRYERS

Clean steam coil fins. Suggest using compressed air and vacuum cleaner with brush attachment.

NOTE: When cleaning steam coil fins, be careful not to bend the fins. If fins are bent, straighten by using fin comb which is available from local air conditioning supply houses.

90 DAYS

Inspect and remove lint accumulation in customer-furnished exhaust duct work system and from dryers' internal exhaust ducting.

WARNING: THE ACCUMULATION OF LINT IN THE EXHAUST DUCT WORK CAN CREATE A POTENTIAL FIRE HAZARD.

WARNING: DO NOT OBSTRUCT THE FLOW OF COMBUSTION AND VENTILATION AIR.

WARNING: INSPECT AND REMOVE ANY LINT ACCUMULATION WHICH CAN CAUSE THE BACK DRAFT DAMPER TO BIND OR STICK.

NOTE: A back draft damper that is sticking partially closed can result in slow drying and shutdown of the heat circuit safety switches or thermostats.

NOTE: When cleaning dryer cabinet(s), avoid using harsh abrasives. A product intended for the cleaning of appliances is recommended.

B. Adjustments

7 Days After Installation and Every 6 Months Thereafter

Inspect bolts, nuts, screws (bearing set screws), non-permanent gas connections (unions, shut-off valves, orifices), and grounding connections. Motor and drive belts should be examined. Cracked or seriously frayed belts **should be** replaced. Tighten loose V-belts when necessary. Complete operational check of controls and valves. Complete operational check of all safety devices (door switch, lint drawer switch, sail switch, burner, and hi-limit thermostats).

C. Lubrication

The motor bearings, idler bearings, and tumbler bearings are permanently lubricated. **No re-lubrication is necessary.**

SECTION VI

ELECTRICAL SERVICE SPECIFICATIONS

AD-15, AD-25, AD-285, AD-30 Gas and Steam					
IMPORTANT: 208 VAC and 230/240 VAC ARE NOT THE SAME. When ordering, specify exact voltage.					
<p>NOTES: A. Fuse ratings are dual element-time-delay-current limiting, class RK1 or RK5 only.</p> <p>B. Circuit breakers are thermal magnetic (industrial) type only. For others, calculate/verify correct breaker size according to appliance amp draw rating and type of breaker used.</p> <p>C. Circuit breakers for 3Ø dryers must be 3-pole type.</p>					
SERVICE VOLTAGE	PHASE	WIRE SERVICE	APPROX. AMP DRAW	FUSING	CIRCUIT BREAKER
				Dual Element Time Delay	
115	1Ø	2	8.6	12.0	20
208	1Ø	2	5.1	6.25	15
230/240	1Ø	2	4.8	6.0	15
208	3Ø	3	3.2	4.0	15
230/240	3Ø	3	2.9	3.5	15
380	3Ø	3/4	2.2	2.8	15
416	3Ø	3/4	2.1	2.5	15
460	3Ø	3/4	2.1	2.5	15
575	3Ø	3	1.8	2.25	15

NOTE: Contact factory for electrical information not listed.

NOTE: ADC reserves the right to make changes in specifications at any time, without notice or obligation.

AD-50 / UD-50 Gas and Steam

IMPORTANT: 208 VAC and 230/240 VAC ARE NOT THE SAME.
When ordering, specify exact voltage.

- NOTES:**
- A. Fuse ratings are dual element-time-delay-current limiting, class RK1 or RK5 only.
 - B. Circuit breakers are thermal magnetic (industrial) type only. For others, calculate/verify correct breaker size according to appliance amp draw rating and type of breaker used.
 - C. Circuit breakers for 3Ø dryers must be 3-pole type.

SERVICE VOLTAGE	PHASE	WIRE SERVICE	APPROX. AMP DRAWER	FUSING	CIRCUIT BREAKER
				Dual Element Time Delay	
115	1Ø	2	12	15	20
208	1Ø	2	6.2	8	15
230/240	1Ø	2	5.7	8	15
208	3Ø	3	3.2	4	15
230/240	3Ø	3	2.9	4	15
380	3Ø	3/4	2.2	2.8	15
416	3Ø	3/4	2.1	2.8	15
460	3Ø	3/4	2.1	2.8	15
575	3Ø	3	1.8	2.25	15
AD-26/AD-295 MODELS ONLY					
115	1Ø	2	6	15	20
208	1Ø	2	3	8	15
230	1Ø	2	3	8	15
240	1Ø	2	3	8	15

NOTE: Contact factory for electrical information not listed.

NOTE: ADC reserves the right to make changes in specifications at any time, without notice or obligation.

AD-75 Gas and Steam

IMPORTANT: 208 VAC and 230/240 VAC ARE NOT THE SAME.
When ordering, specify exact voltage.

- NOTES:**
- A. Fuse ratings are dual element-time-delay-current limiting, class RK1 or RK5 only.
 - B. Circuit breakers are thermal magnetic (industrial) type only. For others, calculate/verify correct breaker size according to appliance amp draw rating and type of breaker used.
 - C. Circuit breakers for 3Ø dryers must be 3-pole type.

SERVICE VOLTAGE	PHASE	WIRE SERVICE	APPROX. AMP DRAW	FUSING	CIRCUIT BREAKER
				Dual Element Time Delay	
115	1Ø	2	13.2	17.5	20
208	1Ø	2	7.7	10	15
230/240	1Ø	2	7.1	9	15
208	3Ø	3	4.4	5.6	15
230/240	3Ø	3	4.3	5.6	15
380	3Ø	3/4	3.0	4	15
416	3Ø	3/4	2.9	4	15
460	3Ø	3/4	2.4	3.0	15
575	3Ø	3	2.1	2.8	15

NOTE: Contact factory for electrical information not listed.

NOTE: ADC reserves the right to make changes in specifications at any time, without notice or obligation.

SECTION VII

TROUBLESHOOTING

IMPORTANT: YOU MUST DISCONNECT and LOCKOUT THE ELECTRIC SUPPLY and THE GAS SUPPLY BEFORE ANY COVERS or GUARDS ARE REMOVED FROM THE MACHINE TO ALLOW ACCESS FOR CLEANING, ADJUSTING, INSTALLATION, or TESTING OF ANY EQUIPMENT per OSHA (Occupational Safety and Health Administration) STANDARDS.

The information provided will help isolate the most probable component(s) associated with the difficulty described. The experienced technician realizes, however, that a loose connection or broken/shorted wire may be at fault where electrical components are concerned...and not necessarily the suspected component itself.

Electrical parts **should always be** checked for failure before being returned to the factory.

The information provided **should not** be misconstrued as a handbook for use by an untrained person making repairs.

IMPORTANT: When replacing blown fuses, the replacement **must be** of the exact rating as the fuse being replaced.

WARNING: **ALL** SERVICE and TROUBLESHOOTING **SHOULD BE PERFORMED BY A QUALIFIED PROFESSIONAL OR SERVICE AGENCY.**

WARNING: WHILE MAKING REPAIRS, OBSERVE **ALL** SAFETY PRECAUTIONS DISPLAYED ON THE DRYER OR SPECIFIED IN THIS MANUAL.

Microprocessor (Computer) Models

A. No L.E.D. display...

1. Service panel fuse blown or tripped breaker.
2. Blown **FU1** (fuse 1) or **FU2** (fuse 2).
3. Failed microprocessor controller (computer).

B. Basket (tumbler) motor does not start, microprocessor controller (computer) shows drying cycle in progress and indicator dots are on...

1. Failed motor contactor/relay.
2. Failed microprocessor controller (computer).
3. Failed motor.

C. The dryer will not stop, even with no cycle in progress.

1. Failed motor contactor/relay.

D. The dryer operates for a few minutes, stops and then restarts on its own...

1. Motor is overheating and tripping out on the internal overload.
 - a. Motor air vents clogged with lint.
 - b. Low voltage to motor.
 - c. Failed motor.
 - d. Failed idler bearing or tumbler bearing.

E. The dryer runs for a few minutes and then stops...microprocessor controller (computer) L.E.D. display continues to read cycle in progress and indicator dots are off...

1. Fault in the main door switch circuit.
 - a. Failed main door switch.
 - b. Main door switch is out of adjustment.
 - c. Loose connection or broken wire in door switch harness.

F. The dryer does not start, and the microprocessor controller (computer) L.E.D. display shows "dOOr"...

1. Failed door switch.
2. Loose connection or broken wire in door switch harness.
3. Failed microprocessor controller (computer).

G. Microprocessor controller (computer) display reads "dSFL"...

1. Fault in microprocessor heat sensing circuit ...
 - a. Blown 1/8-amp (Slo Blo) fuse on microprocessor controller (computer)...shorted wire in sensor harness would cause this.
 - b. Failed microprocessor temperature sensor.
 - c. Loose connection or broken wire in sensor harness between the sensor bracket and the microprocessor controller (computer).
 - d. Failed microprocessor controller (computer).

H. Microprocessor controller (computer) will not accept any, or only accept certain keyboard entries...

1. Failed keyboard label (touchpad) assembly.
2. Failed microprocessor controller (computer).

I. Microprocessor controller (computer) locks up and L.E.D. display reads erroneous message(s) or only partial segments...

1. Transient power voltage (spikes)...disconnect power to dryer, wait one (1) minute and reestablish power to the dryer. If problem is still evident ...
 - a. Failed keyboard label (touchpad) assembly.
 - b. Failed microprocessor controller (computer).

J. Dryer stops during a cycle and microprocessor controller (computer) L.E.D. display returns to "FILL"...

1. Loose connection in main power circuit to microprocessor controller (computer).
2. Loose connection in wires between the temperature sensor and microprocessor controller (computer).

K. Gas heating unit is not operating (no heat)...no spark at burner area when dryer is first started and heat indicator dot is on...

1. Fault in sail switch circuit ...
 - a. Sail switch is out of adjustment or has failed.
 - b. Sail switch damper is not closing or is fluttering ...
 - 1) Lint drawer or lint screen is dirty or clogged.
 - 2) Restriction in exhaust duct work.
2. Fault in burner hi-limit circuit or thermostat.
3. Fault in lint chamber sensor bracket hi-heat protector thermostat.
4. Failed Direct Spark Ignition (DSI) module (burner control).
5. Failed DSI ignitor/ flame-probe assembly.
6. Failed microprocessor controller (computer).

L. No heat (gas models)...ignitor sparks, burner goes on and off right away...

1. DSI ignitor/ flame-probe out of adjustment...reposition closer to the flame area.
2. Sail switch is fluttering ...
 - a. Lint drawer/ screen is dirty or clogged.
 - b. Restriction in exhaust duct work.
3. Insufficient make-up air.
4. Failed ignitor/ flame-probe assembly.
5. Failed Direct Spark Ignition (DSI) module (burner control).
6. Failed gas valve.

M. No heat (STEAM MODELS ONLY)...

1. Fault in lint chamber sensor bracket hi-heat (limit) protector thermostat.
2. Failed microprocessor controller (computer).
3. Failed steam valve (motorized or solenoid models).
4. No (external) compressed air to steam damper (80 psi required).
5. Failed steam damper 24 VAC pneumatic solenoid switch.
6. Failed steam damper piston.
7. Steam damper stuck closed.

N. Dryer operates, but is taking too long to dry.

1. Exhaust duct work run is too long or is undersized...back pressure cannot exceed .3 inches water column.

2. Failed microprocessor controller (computer).
3. Low and/or inconsistent gas pressure (GAS MODELS ONLY).
4. Insufficient make-up air.
5. Poor air/gas mixture at burner...yellow or poor flame pattern.
Adjust gas burner air adjustment shutters (GAS MODELS ONLY).
6. Lint drawer/screen not being cleaned on a regular basis or not often enough.
7. Extractors (washers) not performing properly.
8. Sail switch is fluttering...restriction in exhaust (GAS and ELECTRIC MODELS ONLY).
9. Failed microprocessor controller (computer)...temperature calibration is inaccurate (Microprocessor [Computer] Models ONLY).
10. Failed microprocessor temperature sensor...calibration is inaccurate (microprocessor [computer] models only).
11. Failed burner/oven hi-limit (GAS and ELECTRIC MODELS ONLY).
12. Failed lint chamber hi-heat protector thermostat.
13. Steam damper system not functioning properly (STEAM MODELS ONLY) ...
 - a. Steam damper sticking closed.
 - b. Leak in pneumatic (air) system.
14. Failed electric oven elements (ELECTRIC MODELS ONLY).

O. Condensation on main door glass

1. Too long, undersized, or improperly installed duct work
2. Exhaust back draft damper is stuck closed or partially closed

P. Dryer or scraping noise at basket (tumbler) area...

1. Check for object caught in basket (tumbler)/ wrapper area.
2. Basket (tumbler) is out of proper alignment.
 - a. Check both vertical and lateral alignment.
 - b. Check gap between front panel and basket (tumbler) front...set crews may have come loose and the basket (tumbler) walked forward or walked backwards.
 - c. Loose basket (tumbler) tie rod.
 - d. Failed basket (tumbler) support.

Q. Coins are accepted but do not register...L.E.D. display continues to read "FILL"...

1. Failed coin optic sensor.
2. Loose connection in optic sensor harness.
3. Poor ground connection of optic sensor.
4. Failed microprocessor controller (computer).

Mechanical Coin Meter

A. Dryer will not start...indicator light is off...

1. Dryer control circuit fuse is blown.
2. Open circuit at location...service main fuse or circuit breaker.
3. Failed push to start relay.
4. Failed door switch and/or circuit.
5. Failed coin mechanism.

B. Dryer will not start...Indicator light is on...

1. Failed motor relay.
2. Failed motor.

C. Heating unit not operating (all temperature selections)

1. Fault in sail switch circuit (GAS and ELECTRIC MODELS ONLY) ...
 - a. Failed sail switch and/or out of adjustment.
 - b. Sail switch not closing or fluttering ...
 - 1) Back draft damper stuck closed.
 - 2) Restriction in location exhaust system.
2. Faulty burner hi-limit and/or circuit (GAS and ELECTRIC MODELS ONLY)...
3. Faulty lint compartment automatic (225°) safety thermostat and/or circuit...
4. Failed heat selector switch.
5. Failed 24 VAC transformer (GAS MODELS ONLY).
6. Failed oven contactor relay (ELECTRIC MODELS ONLY).
7. Failed steam damper piston (Steam Damper Models ONLY).
8. Failed steam valve (STEAM MODELS ONLY).

D. Heating unit not operating for only one (1) temperature selection...

1. Faulty thermostat and/or circuit corresponding to selection made.
2. Failed heat selector switch.

ADC 112137 1-01/28/92-1,000 2--05/27/92-500
3-07/01-92-1,000 4--09/01/92-500
5*-11/19/92-500 6--12/11/92-500
7*-10/05/93-500 8--10/25/93-500
9--12/13/93-500 10--01/28/94-500
11-04/01/94-500 12*-06/17/94-500
13-08/08/94-500 14--11/10-/94-250



Free Manuals Download Website

<http://myh66.com>

<http://usermanuals.us>

<http://www.somanuals.com>

<http://www.4manuals.cc>

<http://www.manual-lib.com>

<http://www.404manual.com>

<http://www.luxmanual.com>

<http://aubethermostatmanual.com>

Golf course search by state

<http://golfingnear.com>

Email search by domain

<http://emailbydomain.com>

Auto manuals search

<http://auto.somanuals.com>

TV manuals search

<http://tv.somanuals.com>