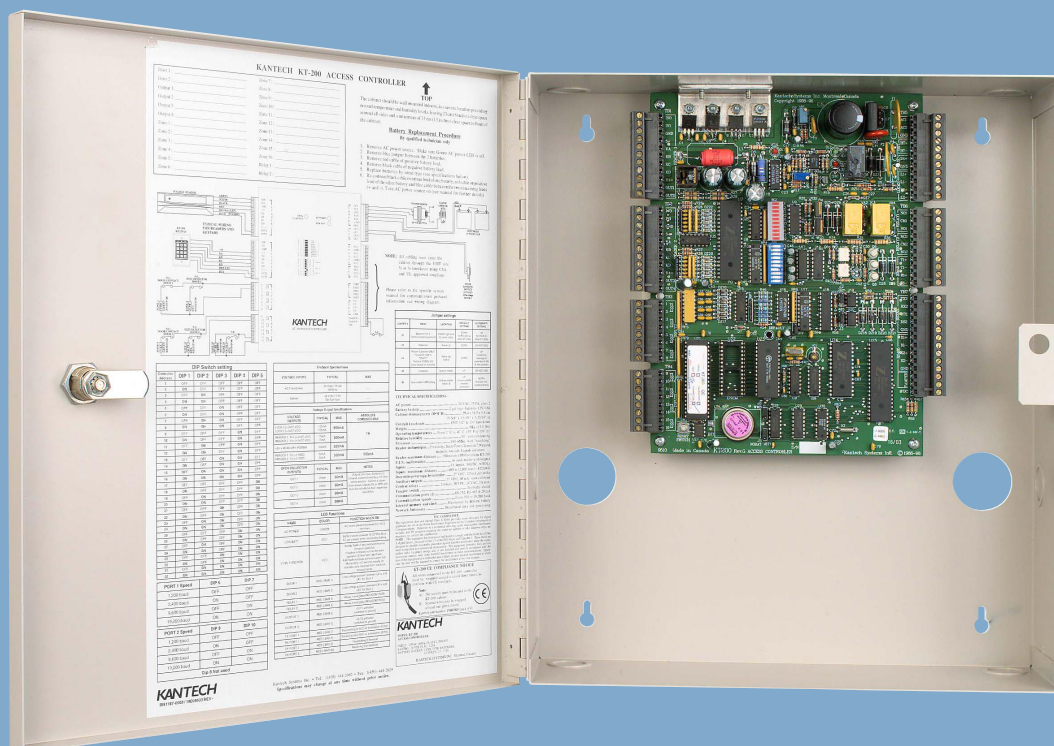


KT-200 Door Controller

- Two door controller
- Compatible with Proximity, Wiegand, Mag Stripe, Bar Code, Biometric and other technologies
- Built-in power supply for door lock (24VDC)
- RS-485/RS-232 communication ports
- Supervised inputs (16)
- Optional relay module (REB-8)
- Quick terminal plug-in connectors



KT-200 Door Controller

Point Monitoring

Each KT-200 can monitor the state of 16 input points such as magnetic contacts, motion detectors, temperature sensors or any other device with dry contacts. To ensure line integrity, all zones are terminated with end-of-line resistors.

Control Relays

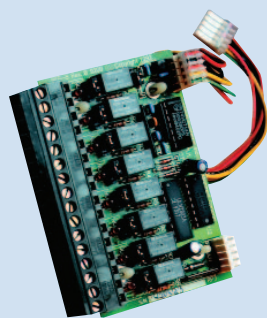
Two control relays provided on each KT-200 can be used to activate alarms or other devices such as lighting control, ventilation, and air conditioning. These relays can be activated according to schedules, events reported by the system, or a combination of different logical conditions.

System Configuration

The system configuration is determined by a choice of EPROMs available to meet different systems and capacity requirements. As the system is expanded, the KT-200 circuit board remains the same. This feature provides flexibility and savings in the future.

Memory and Autonomy

All KT-200 controllers keep the access control database in memory. This means that the KT-200 keeps all information regarding cards, schedules, access codes and can verify access requests even when it is disconnected from the network (autonomy varies for EntraPass Global Edition). The memory is also protected by a lithium battery maintaining data even if the usual battery backup is disconnected. Date and time are also maintained by this on-board battery.



REB-8 relay expansion board

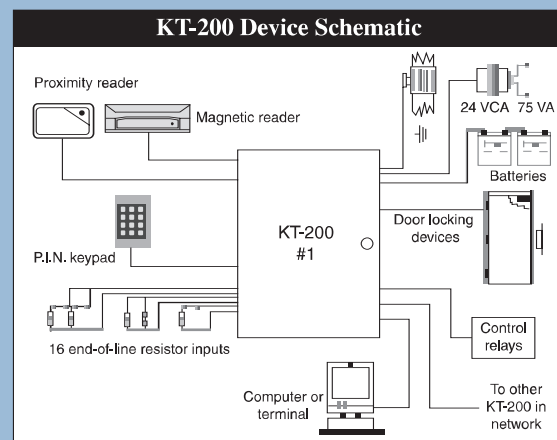
Easily Expandable

The REB-8 relay expansion board provides an additional 8 general purpose control relays to the KT-200 door controller. Two REB-8 boards can be used to expand up to 16 relays and can also be used as a cost-efficient alternative for basic elevator control, with up to 16 floors per cab. Used with the EntraPass system, the REB-8 is connected instead of a keypad on door 2 inputs.

Technical Specifications	
AC power	24 volts AC, 75 VA, class 2
Battery back-up	2 gel type batteries 12V, 7Ah provide operation for 8 hours
Cabinet measurements	39.4cmH x 5cm W x 9.8cm D (15.5 in x 13.63 in x 3.88 in) EMT 1,25cm (1/2 in) and 1,9cm (3/4 in) knockouts. Is supplied with a lock and two keys.
Weight	6kg (13.8 lbs)
Operating temperatures	2°C to 40°C (35°F to 110°F) at 90° non-condensing humidity
Processor	Z80-6Mhz, with "watchdog" circuit
Reader technologies	Proximity, Wiegand, magnetic, bar code, keypads and others
Reader maximum distance	150 meters (500 feet) from KT-200
PIN confirmation	At each reader equipped with a keypad
Monitor points	16 monitor points, NO/NC, supervised by end-of-line resistors (included)
Points maximum wiring	600 meters (2000 ft) AWG#22
Door strike power	Supplied by the KT-200: 27 volts DC 250mA maximum
Auxiliary outputs	27 volts DC, 50mA open collector
Control relays	2 relays, 30 VDC/24VAC, 2A max. Possible expansion to 16 relays
Tamper switch	Normally closed
Communications ports	RS232 and RS485
Communications speeds	From 1200 to 19200 bauds
Internal memory	Maintained by lithium battery
Network autonomy	Distributed data and processing

Ordering Information:

- KT-200** Door Controller for 2 readers (complete)
- KT-200BO** Metal Box for KT-200 Controller
- KT-200-CAMLO** Keylock for KT-200 Controller (2 keys)
- KT-200CSA** Door Controllers for 2 readers (complete) - CSA approved
- KT-200F-ACC** Accessory kit (fuses, keys, end of line resistors, battery leads) included in KT-200 and KT-200NB (Rev A to F)
- KT-200G-ACC** Accessory kit (keys, end of line resistors, battery leads) included in KT-200 and KT-200NB (Rev G)
- KT-200NB** Door Controller for 2 readers (complete, no box)
- REB-8** Relay expansion board
- EP-ENTRA3** EPROM for EntraPass Special, Corporate, and Global (Windows NCC) Edition (one per KT-200 required)
- EP-8002** EPROM for EntraPass Global using DOS NCC (one per KT-200 required)
- TR2475** Transformer (110V/75VA)



Free Manuals Download Website

<http://myh66.com>

<http://usermanuals.us>

<http://www.somanuals.com>

<http://www.4manuals.cc>

<http://www.manual-lib.com>

<http://www.404manual.com>

<http://www.luxmanual.com>

<http://aubethermostatmanual.com>

Golf course search by state

<http://golfingnear.com>

Email search by domain

<http://emailbydomain.com>

Auto manuals search

<http://auto.somanuals.com>

TV manuals search

<http://tv.somanuals.com>