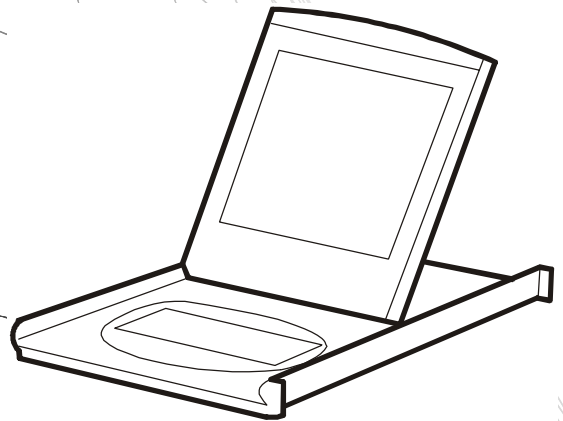


# Installation, Specifications, and Settings

## Rack LCD Monitor Keyboard Mouse





---

This manual is available in English on the enclosed CD.

Dieses Handbuch ist in Deutsch auf der beiliegenden CD-ROM verfügbar.

Este manual está disponible en español en el CD-ROM adjunto.

Ce manuel est disponible en français sur le CD-ROM ci-inclus.

Questo manuale è disponibile in italiano nel CD-ROM allegato.

本マニュアルの日本語版は同梱の CD-ROM からご覧になれます。

Instrukcja Obsługi w języku polskim jest dostępna na CD.

O manual em Português está disponível no CD-ROM em anexo.

Данное руководство на русском языке имеется на прилагаемом компакт-диске.

Bu kullanım kılavuzunun Türkçe'si, ilişikte gönderilen CD içerisinde mevcuttur.

您可以从包含的 CD 上获得本手册的中文版本。

# Contents

---

<b>Preliminary Information.....</b>	<b>1</b>
<b>Safety Considerations .....</b>	<b>1</b>
<b>General Information .....</b>	<b>2</b>
<b>Before Installation.....</b>	<b>3</b>
Tool required (not provided) .....	3
Please recycle .....	3
Disclaimer .....	3
Receiving inspection .....	3
Inventory .....	3
<b>Inventory .....</b>	<b>4</b>
<b>Installation and Removal.....</b>	<b>5</b>
<b>Attach the Cable Arm to the LCD .....</b>	<b>5</b>
<b>Install the Power Cord and Communication Cable .....</b>	<b>6</b>
<b>Install the Slides .....</b>	<b>7</b>
Installation using square holes .....	7
Installation using round or threaded holes .....	8
<b>Install the LCD.....</b>	<b>9</b>
<b>Attach the Cable Arm to the Slide.....</b>	<b>10</b>
<b>Remove the LCD .....</b>	<b>11</b>
<b>On-screen Display.....</b>	<b>12</b>
<b>Component Identification.....</b>	<b>12</b>
<b>Using the On-screen Display .....</b>	<b>13</b>
<b>Main Menu .....</b>	<b>13</b>
<b>Image Adjust Sub-menu.....</b>	<b>14</b>
<b>Colors Sub-menu .....</b>	<b>15</b>

Languages Sub-menu .....	16
Advanced Sub-menu .....	16
<b>Troubleshooting .....</b>	<b>17</b>
<b>Product Information .....</b>	<b>18</b>
Specifications .....	18
Maintenance .....	19
<b>APC Limited Factory Warranty.....</b>	<b>20</b>
Terms of Warranty .....	20
Non-transferable Warranty .....	20
Exclusions .....	20
Warranty Claims .....	21
<b>Life-Support Policy.....</b>	<b>22</b>
General policy .....	22
Examples of life-support devices .....	22

# Preliminary Information

---

## Safety Considerations



**Warning:** Mount the American Power Conversion (APC®) Rack LCD Monitor Keyboard Mouse in the enclosure in a manner that avoids the hazards of an uneven mechanical load.



**Caution:** If the LCD is mounted in an enclosed communications rack, the recommended rack ambient temperature should be no greater than 113°F (45°C).



**Caution:** Install the LCD in a rack so that there is the correct amount of air flow required for safe operation of the LCD.



**Caution:** Do not use the LCD as a shelf or place items on top of the LCD.



**Electrical Hazard:** When connecting the LCD to the supply circuit, consider the effect that overloading of circuits might have on over-current protection and supply wiring. See the LCD nameplate ratings. Maintain reliable grounding of the LCD. Give particular attention to any supply connections other than direct connections to the branch circuit (e.g., use of power distribution units).



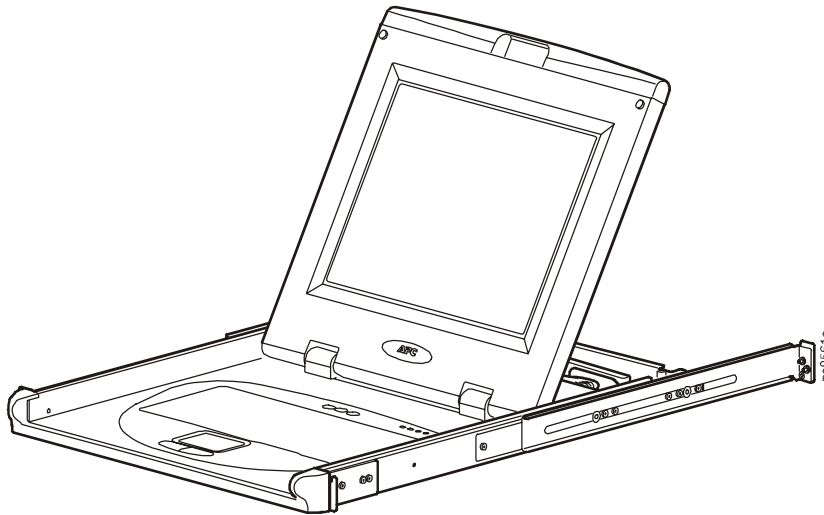
**Note:** Ensure that the LCD power cord can easily reach a power outlet.



**Note:** Select a power supply cord with an IEC-320 appliance coupler on one end and a grounding-type attachment plug suitable for use in the country of application on the other end. The power supply cord should be at least HO3-VV-F or HO3-VVH2-F and be 2-conductor plus ground and minimum of 0.75 mm<sup>2</sup> in cross-sectional area.

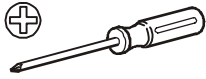
# General Information

The Rack LCD Monitor Keyboard Mouse is intended for use with industry-standard racks and enclosures. The LCD uses only 1 U of rack space, and with adjustable slides, can be installed in depths ranging from 26 in to 32 in (660 mm to 812 mm). The size of the device provides enough room for an APC Rack KVM switch to be installed behind the device. The power input is universal, supporting voltages from 100 to 240 V and frequencies from 50 to 60 Hz.



# Before Installation

Tool required (not provided)



#2 Phillips  
screwdriver

## Please recycle



The shipping materials are recyclable. Please save them for later use, or dispose of them appropriately.

## Disclaimer

American Power Conversion is not responsible for damage sustained during reshipment of this product.

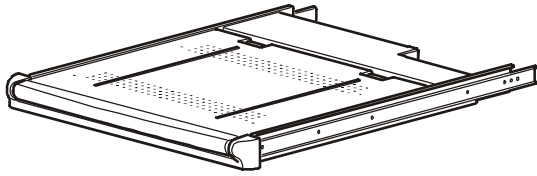
## Receiving inspection

Inspect the package and contents for shipping damage. Report any damage immediately to the shipping agent. Report missing contents, damage, or other problems immediately to APC or your APC reseller.

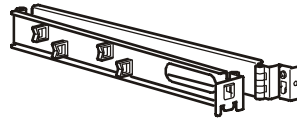
## Inventory

After unpacking the carton, verify that all required components and hardware have been shipped. See “Inventory” on page 4 for a list of components.

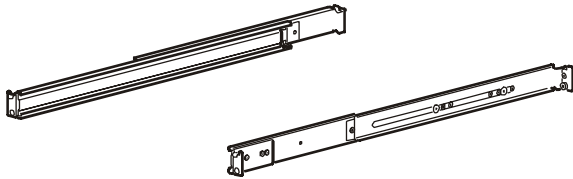
# Inventory



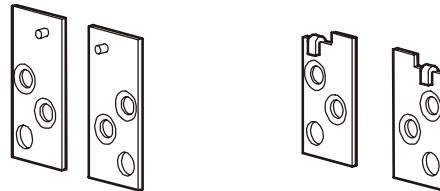
LCD monitor keyboard mouse



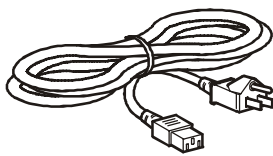
Cable arm



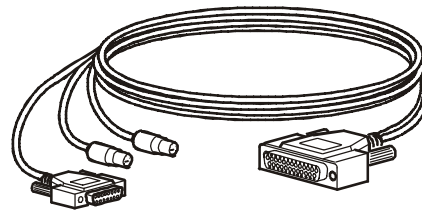
Slides



Left and right threaded and non-threaded hole mounting adapters



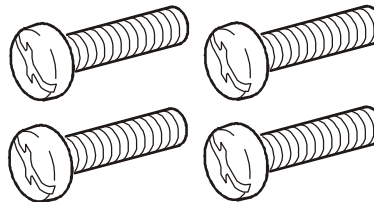
Power cord



Communication cable



Phillips screw

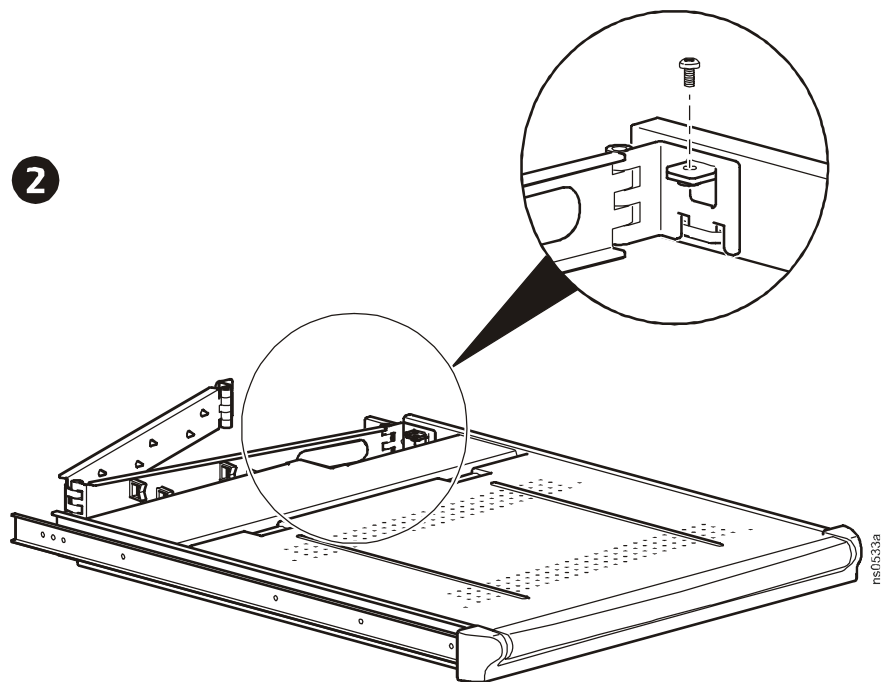
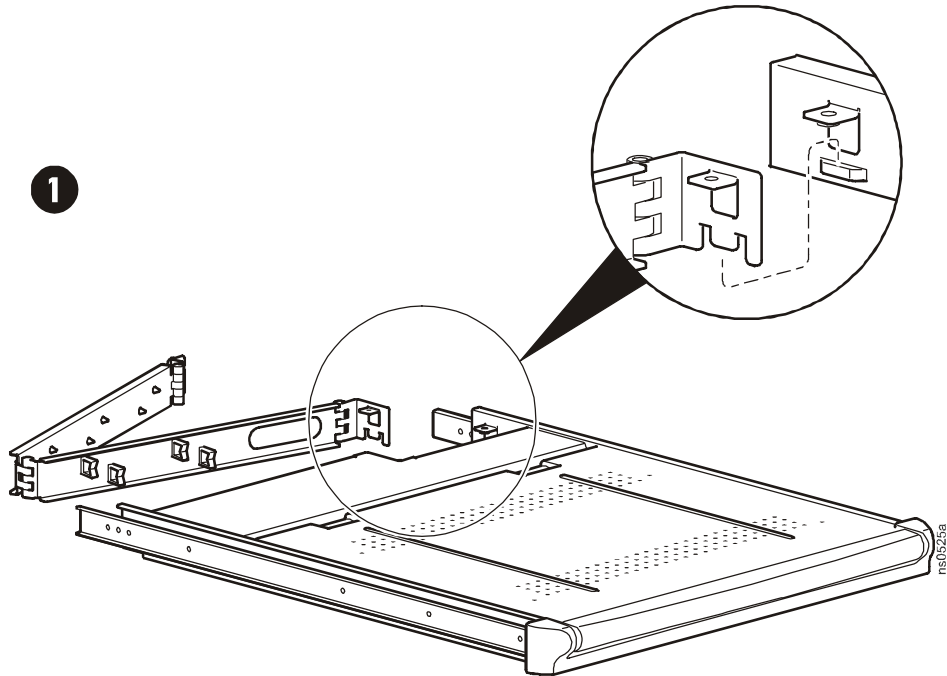


M6 x 12 mm screws



# Installation and Removal

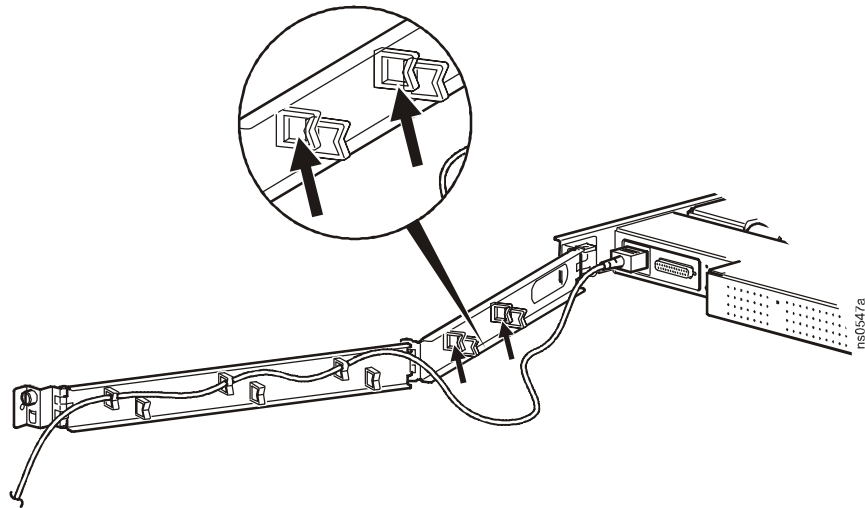
## Attach the Cable Arm to the LCD



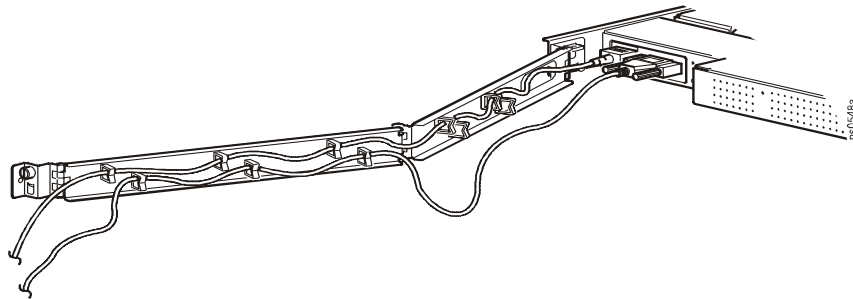
# Install the Power Cord and Communication Cable

Connect the LCD using the communication cable (provided).

1. Plug the power cord into the LCD and route it through the upper clips of the cable arm.

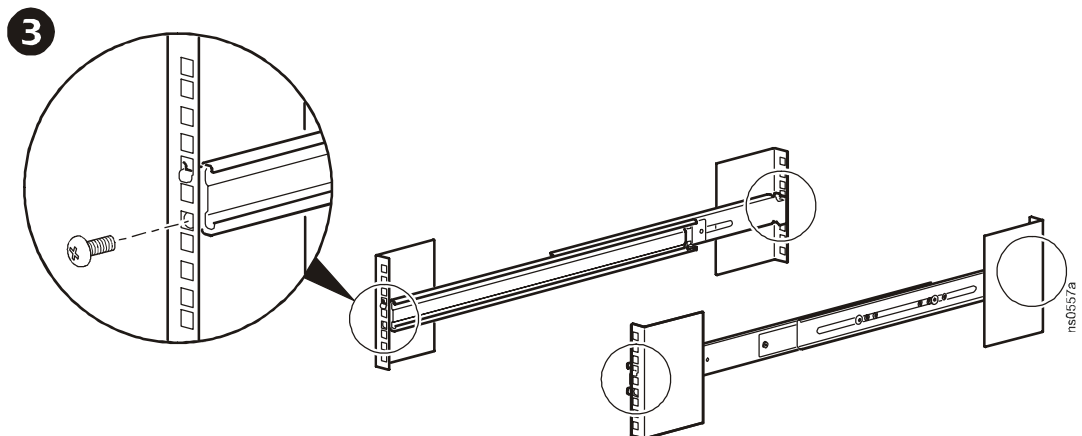
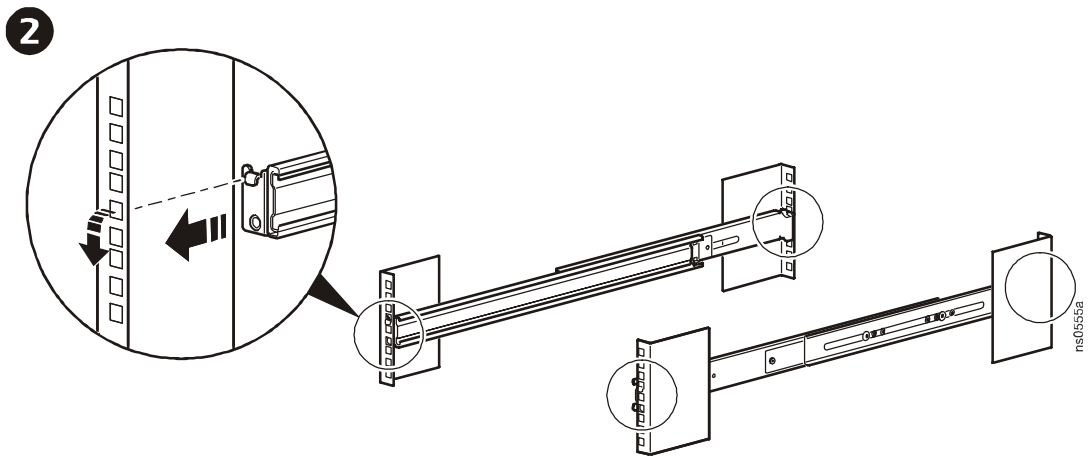
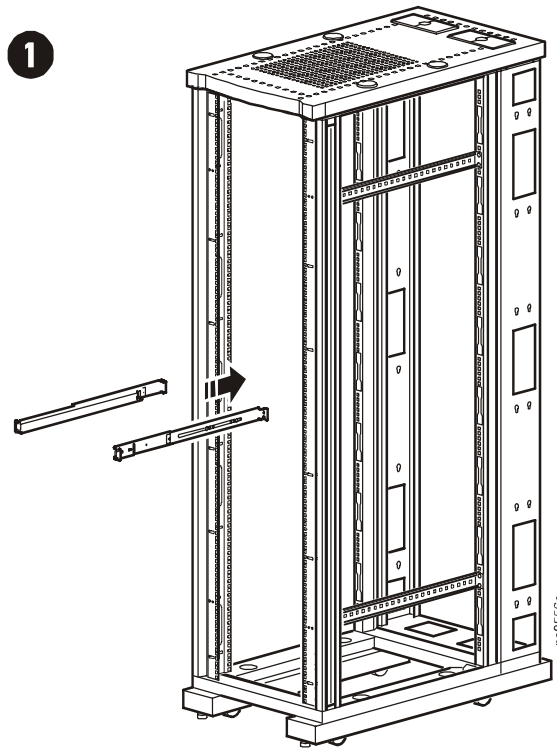


2. Plug the communication cable into the correct port on the LCD and route it through the lower clips of the cable arm.

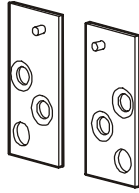


# Install the Slides

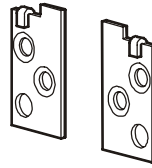
Installation using square holes



## Installation using round or threaded holes

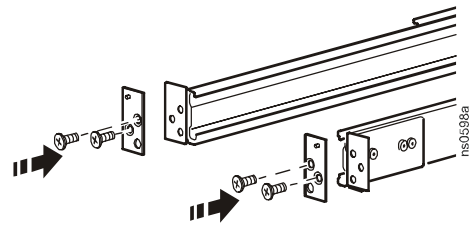
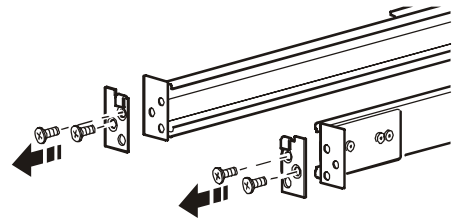


Left and right  
threaded hole  
mounting adapters



Left and right  
non-threaded hole  
mounting adapters

1. Remove two Phillips screws from each mounting adapter using a #2 screwdriver.
2. Remove the square-hole mounting adapter from each end of the outer slides.
3. Attach the appropriate mounting adapters using the previously removed screws.

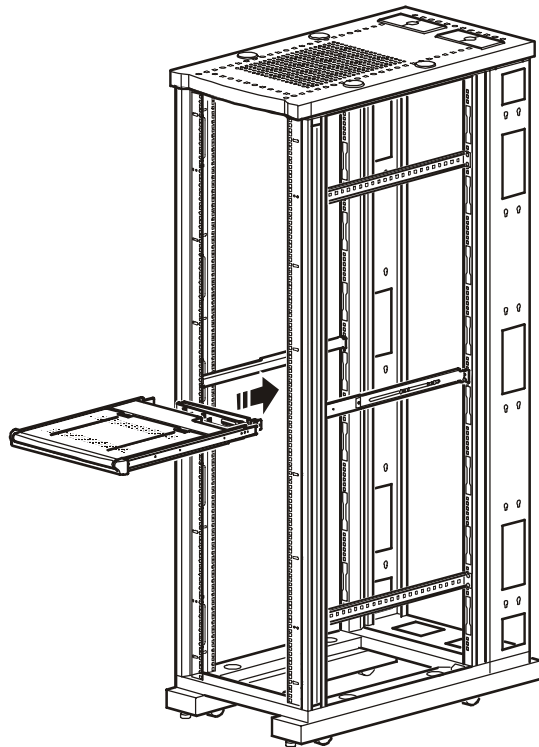


# Install the LCD

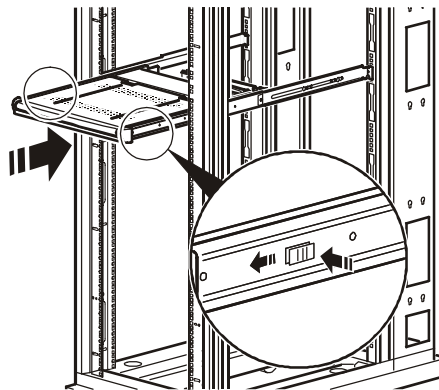


**Note:** Support the cable arm during installation of the LCD.

1. Insert the LCD into the rack using the slides attached to the LCD and those already installed in the rack.



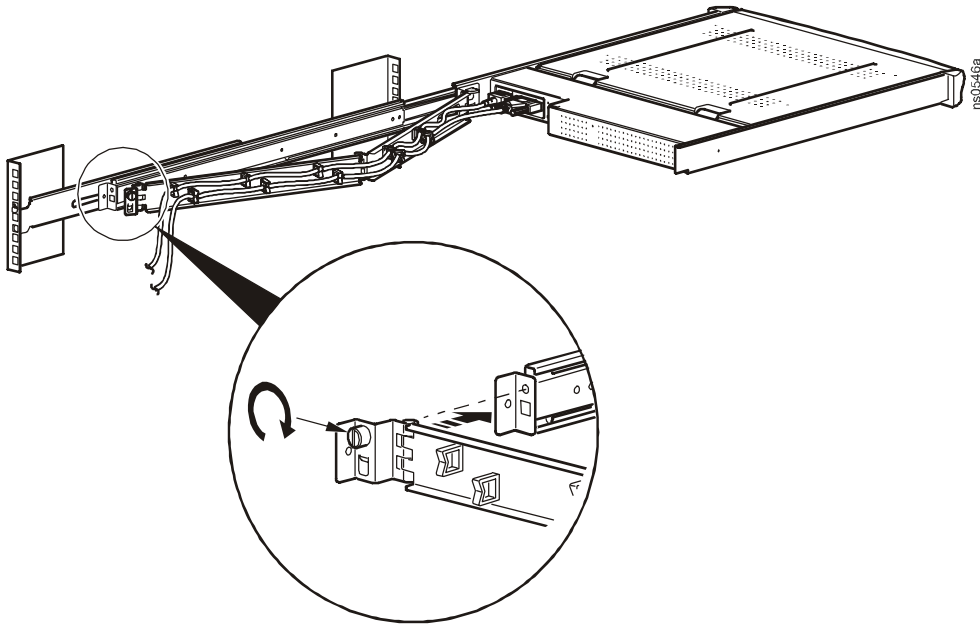
1. Push the LCD into the rack until it stops. Pull the release keys (located on the outside of each LCD slide) while pushing the LCD into place.



2. Ensure that the LCD is installed on its rails properly by pulling the LCD in and out of the rack several times.

# Attach the Cable Arm to the Slide

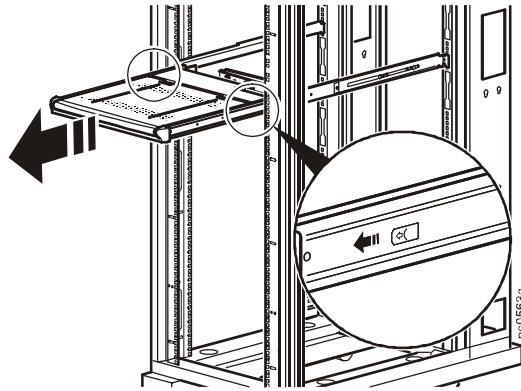
Secure the cable arm to the slide using the slotted thumbscrew.



**Caution:** Do not overtighten thumbscrews if you are using a screwdriver.

## Remove the LCD

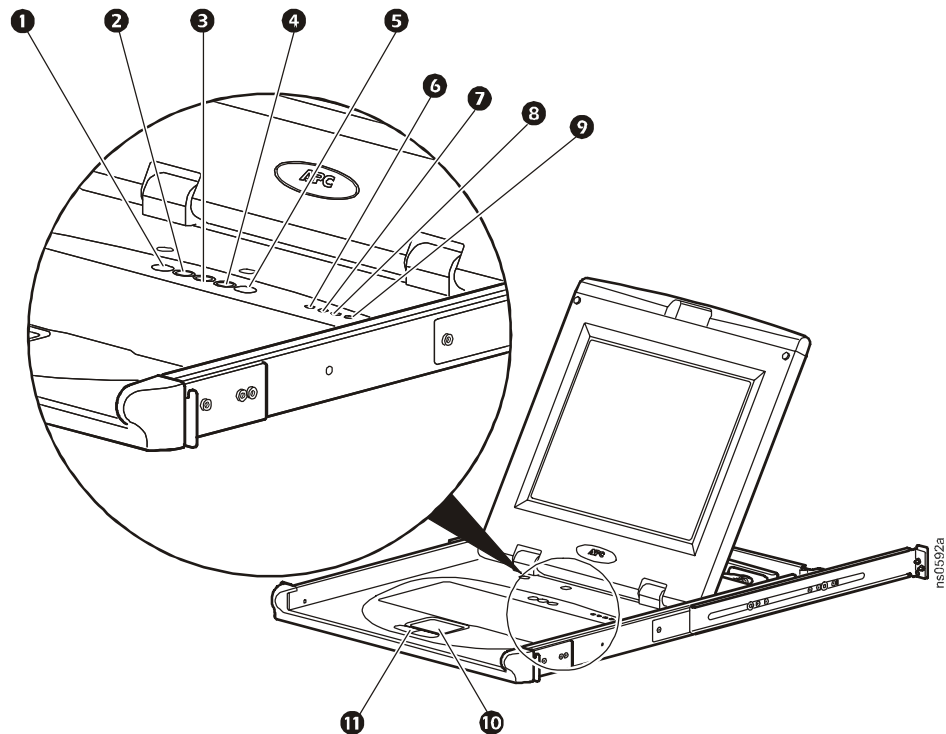
1. Pull the LCD out until it stops.
2. Disconnect the power cord and communication cable.



3. Remove the cable arm from the slides by removing the slotted thumbscrews.
4. Gently pull the tabs toward the front of the LCD, while pulling outward on the LCD to remove it from the enclosure.

# On-screen Display

## Component Identification



- |                   |                         |
|-------------------|-------------------------|
| ❶ Exit key        | ❷ Caps Lock LED         |
| ❸ Left arrow key  | ❸ Scroll Lock LED       |
| ❹ Right arrow key | ❹ Power LED             |
| ❺ Menu key        | ❺ Touch pad             |
| ❻ Auto Setup key  | ❻ Left/right mouse keys |
| ❼ Num Lock LED    |                         |




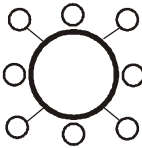
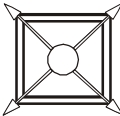

# Using the On-screen Display


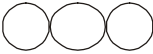

To adjust the LCD, use the five control keys above the keyboard.

Exit ← → Menu Auto


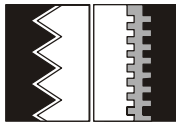
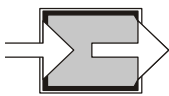


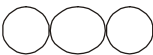
1. Press the **Menu** key to display the main menu.
2. Use the **Left** and **Right** arrow keys to move among the function icons. Press the **Menu** key to select a function.
3. Use the left or right arrow keys to make changes to a function, or to move to a sub-menu.
  - a. To change a function when there are no sub-menus, press the **Menu** key once after you have completed your changes. Use the arrow keys to scroll to another function.
  - b. To change a function within a sub-menu, scroll to the sub-menu, press the **Menu** key, use the arrow keys to move to the function, and push the **Menu** key again. Use the left or right arrow keys to make changes to the function, and press the **Menu** key to finalize the changes. Then scroll to the **Back** function, and press the **Menu** key to return to the main menu. Scroll to another function using the arrow keys.
4. At any time, press the **Exit** key to exit the menu system completely.
5. Press the **Auto** key at any time to automatically adjust the position, color levels, and picture quality of the screen.



## Main Menu

Icon	Function	Description
	Contrast	Adjust level of color difference between foreground and background colors.
	Brightness	Adjust the brightness level of the screen.
	Image Adjust	Access the <b>Image Adjust</b> sub-menu.
	Colors	Access the <b>Colors</b> sub-menu.




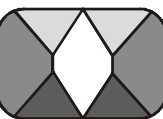




Icon	Function	Description
	Languages	Access the <b>Languages</b> sub-menu.
	Advanced	Access the <b>Advanced</b> sub-menu.
	Exit	Exit the On-screen Display.

## Image Adjust Sub-menu

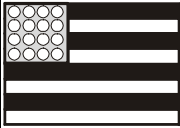

Icon	Function	Description
	Clock	Adjust the clock setting of the screen so that no dark vertical bands are visible.
	Phase	Adjust the phase setting of the screen so that no dark horizontal bands are visible.
	H Position	Adjust the horizontal position of the screen.
	V Position	Adjust the vertical position of the screen.
	Edge Enhance Type	Select the type of edge enhancement (sharpness) for the screen.
	Enhance Level	Adjust the level of edge enhancement (sharpness) of the screen.

Icon	Function	Description
	Autosetup	Automatically center, sharpen, and adjust the clock and phase settings of the screen. Resets the LCD to its default settings.
	Back	Go back to the main menu.

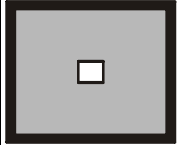
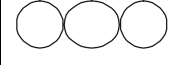




## Colors Sub-menu

Icon	Function	Function Descriptions
	Autolevel	Automatically adjust the color levels displayed on the screen.
	Color Mode	Change the mode in which the screen displays color. Available modes are Manual, Native, sRGB, and TV.
	Gamma	Adjust the level of gamma correction (how gray levels between black and white are displayed on-screen). Available in Manual or TV Color Modes only.
	White Temperature	Adjust the color balance level of white light displayed on the screen.
	Hue	Adjust the hue level of the screen.
	Saturation	Adjust the saturation level of the screen.
	Color Warp	Adjust the level of each color displayed on the screen. Available in Manual Color Mode only.
	Back	Go back to the main menu.

## Languages Sub-menu

Icon	Function	Function Descriptions
	English	Change the language of the On-Screen Display to English.
	French	Change the language of the On-Screen Display to French.

## Advanced Sub-menu

Icon	Function	Function Descriptions
	OSD Position	Position the On-Screen Display in one of the four corners of the screen or in the center of the screen.
	Half Tone	Turn a semi-transparent background on or off.
	OSD Timeout	Adjust the number of seconds before the On-Screen Display shuts down due to inactivity.
	Information	Display information about the LCD Monitor Keyboard Mouse.
	Test Pattern	Display several test-patterns to verify that the monitor is working properly.
	Back	Go back to the main menu.

# Troubleshooting

---

If you have a problem setting up or using the monitor, use the following troubleshooting actions to try to solve the problem before contacting APC Worldwide Customer Support at a phone number listed at the back of this manual.

What is seen...	Suggested Action	Reference
The screen is blank, and the power indicator is off	Ensure that the power cord is firmly connected and that the monitor is on.	
“No Connection, Check Signal Cable”	<ul style="list-style-type: none"> <li>• Ensure that the signal cable is firmly connected to the computer system or video board.</li> <li>• Ensure that the computer system is turned on.</li> </ul>	
“Video mode not supported”	<ul style="list-style-type: none"> <li>• Check the maximum resolution and the frequency on the video port of the computer system.</li> <li>• Compare these values with the data in the Display resolution section of the LCD Panel specifications table.</li> </ul>	“Specifications” on page 18
The image is too light or too dark	Adjust Brightness and Contrast.	“Main Menu” on page 13
Vertical bars flicker, or shimmer on the image	Adjust the Phase function.	“Main Menu” on page 13
The screen is blank and the power indicator light blinks every 0.5–1 second	The monitor is using its power management system. Move the computer system’s mouse, or press a key on the keyboard.	
The image is not stable or appears to vibrate	Check that the display resolution and frequency from your computer system or video board matches an available mode for your monitor.	“Specifications” on page 18
The image is not centered on the screen	Adjust the horizontal and vertical positions.	“Main Menu” on page 13

# Product Information

## Specifications

<b>Electrical</b>	<b>AP5015</b>	<b>AP5017</b>
Power input	100–240 VAC, 1 Amp <sup>†</sup>	100–240 VAC, 1 Amp <sup>†</sup>
Input frequency	50/60 Hz	50/60 Hz
<b>Physical</b>		
Dimensions (without rails) (H×W×D)	1.75 × 18.75 × 21.88 in (44.45 × 476.25 × 555.75 mm)	1.75 × 18.75 × 21.88 in (44.45 × 476.25 × 555.75 mm)
Shipping dimensions (H×W×D)	9.50 × 23.75 × 32.50 in (241.30 × 603.25 × 825.50 mm)	9.50 × 23.75 × 32.50 in (241.30 × 603.25 × 825.50 mm)
Weight	31.50 lb (14.32 kg)	32.50 lb (14.77 kg)
Shipping weight	42.50 lb (19.32 kg)	43.50 lb (19.77 kg)
<b>LCD Panel</b>		
Size	15-inch diagonal	17-inch diagonal
Display size (horizontal × vertical)	304.1 × 228.1 mm	336.0 × 273.0 mm
Type	a-si TFT active matrix	a-si TFT active matrix
Pixel pitch (horizontal × vertical)	0.297 × 0.297 mm	0.297 × 0.297 mm
Display resolution Maximum Mode	1024 × 768 @ 60 Hz	1280 × 1024 @ 60 Hz 1280 × 1024 @ 75 Hz
Display color	16.2 million colors	16.2 million colors
<b>Environmental</b>		
Temperature		
Operating	32 to 113°F (0 to 45°C)	32 to 113°F (0 to 45°C)
Storage	–13 to 149°F (–25 to 65°C)	–13 to 149°F (–25 to 65°C)
Humidity		
Operating	5–95% RH, non-condensing	5–95% RH, non-condensing
Storage	5–95% RH, non-condensing	5–95% RH, non-condensing
<b>Regulatory Approvals</b>		
Product safety	UL/C-UL Listed UL 60950-1 VDE, EN 60950, IEC 60950, GOST (M3K 60950), CCC (GB-4943, GB-9254), IRAM	UL/C-UL Listed UL 60950-1 VDE, EN 60950, IEC 60950, GOST (M3K 60950), CCC (GB-4943, GB-9254), IRAM
EMC	FCC part 15, ICES-003, VCCI, AS/NZS CISPR 22 Class A, EN 55024, EN 61000-3-2, EN 61000-3-3, CCC (GB-17465.1), GOST (51318.22/ 51318.24), IRAM	FCC part 15, ICES-003, VCCI, AS/NZS CISPR 22 Class A, EN 55024, EN 61000-3-2, EN 61000-3-3, CCC (GB-17465.1), GOST (51318.22/ 51318.24), IRAM

<sup>†</sup> This device is suitable for connection to information technology power systems with a maximum line-to-line voltage of 240 V rms.

# Maintenance



**Warning:** To avoid risk of electrical shock, do not disassemble the monitor cabinet. Users cannot service the monitor. User maintenance is restricted to cleaning as explained below.

Unplug the monitor from the power outlet before cleaning.

- To clean your monitor screen, lightly dampen a soft clean cloth with water or mild detergent. If possible, use a special cleaning tissue or solution suitable for the anti-static coating.
- To clean the monitor cabinet, use a cloth lightly dampened with a mild detergent.
- Never use a flammable cleaning material to clean your monitor or any other electrical apparatus.

# APC Limited Factory Warranty

---

The limited warranty provided by American Power Conversion (APC®) in this Statement of Limited Factory Warranty applies only to Products you purchase for your commercial or industrial use in the ordinary course of your business.

## Terms of Warranty

American Power Conversion warrants its products to be free from defects in materials and workmanship for a period of two years from the date of purchase. Its obligation under this warranty is limited to repairing or replacing, at its sole discretion, any such defective products. This warranty does not apply to equipment that has been damaged by accident, negligence, or misapplication or has been altered or modified in any way. Repair or replacement of a defective product or part thereof does not extend the original warranty period. Any parts furnished under this warranty may be new or factory-remanufactured.

## Non-transferable Warranty

This warranty applies only to the original purchaser who must have properly registered the product. Product may be registered at <http://www.warranty.apc.com>.

## Exclusions

APC shall not be liable under the warranty if its testing and examination disclose that the alleged defect in the product does not exist or was caused by end user's or any third person's misuse, negligence, improper installation or testing. Further APC shall not be liable under the warranty for unauthorized attempts to repair or modify wrong or inadequate electrical voltage or connection, inappropriate on-site operation conditions, corrosive atmosphere, repair, installation, start-up by non-APC designated personnel, a change in location or operating use, exposure to the elements, Acts of God, fire, theft, or installation contrary to APC recommendations or specifications or in any event if the APC serial number has been altered, defaced, or removed, or any other cause beyond the range of the intended use.

**THERE ARE NO WARRANTIES, EXPRESS OR IMPLIED, BY OPERATION OF LAW OR OTHERWISE, OF PRODUCTS SOLD, SERVICED OR FURNISHED UNDER THIS AGREEMENT OR IN CONNECTION HERewith. APC DISCLAIMS ALL IMPLIED WARRANTIES OF MERCHANTABILITY, SATISFACTION AND FITNESS FOR A PARTICULAR PURPOSE. APC EXPRESS WARRANTIES WILL NOT BE ENLARGED, DIMINISHED, OR AFFECTED BY AND NO OBLIGATION OR LIABILITY WILL ARISE OUT OF, APC RENDERING OF TECHNICAL OR OTHER ADVICE OR SERVICE IN CONNECTION WITH THE PRODUCTS. THE FOREGOING WARRANTIES AND REMEDIES ARE EXCLUSIVE AND IN LIEU OF ALL OTHER WARRANTIES AND REMEDIES. THE WARRANTIES SET FORTH ABOVE CONSTITUTE APC SOLE LIABILITY AND PURCHASER'S EXCLUSIVE REMEDY FOR ANY BREACH OF SUCH WARRANTIES. APC WARRANTIES RUN ONLY TO PURCHASER AND ARE NOT EXTENDED TO ANY THIRD PARTIES.**



**IN NO EVENT SHALL APC, ITS OFFICERS, DIRECTORS, AFFILIATES OR EMPLOYEES BE LIABLE FOR ANY FORM OF INDIRECT, SPECIAL, CONSEQUENTIAL OR PUNITIVE DAMAGES, ARISING OUT OF THE USE, SERVICE OR INSTALLATION, OF THE PRODUCTS, WHETHER SUCH DAMAGES ARISE IN CONTRACT OR TORT, IRRESPECTIVE OF FAULT, NEGLIGENCE OR STRICT LIABILITY OR WHETHER APC HAS BEEN ADVISED IN ADVANCE OF THE POSSIBLY OF SUCH DAMAGES. SPECIFICALLY, APC IS NOT LIABLE FOR ANY COSTS, SUCH AS LOST PROFITS OR REVENUE, LOSS OF EQUIPMENT, LOSS OF USE OF EQUIPMENT, LOSS OF SOFTWARE, LOSS OF DATA, COSTS OF SUBSTITUANTS, CLAIMS BY THIRD PARTIES, OR OTHERWISE.**

**NO SALESMAN, EMPLOYEE OR AGENT OF APC IS AUTHORIZED TO ADD TO OR VARY THE TERMS OF THIS WARRANTY. WARRANTY TERMS MAY BE MODIFIED, IF AT ALL, ONLY IN WRITING SIGNED BY AN APC OFFICER AND LEGAL DEPARTMENT.**

### **Warranty Claims**

Customers with warranty claims issues may access the APC worldwide customer support network by visiting <http://www.apc.com/support>. Select your country from the country selection pull-down menu. Open the Support tab at the top of the web page to obtain contact information for customer support in your region.

# Life-Support Policy

## General policy

American Power Conversion (APC) does not recommend the use of any of its products in the following situations:

- In life-support applications where failure or malfunction of the APC product can be reasonably expected to cause failure of the life-support device or to affect significantly its safety or effectiveness.
- In direct patient care.

APC will not knowingly sell its products for use in such applications unless it receives in writing assurances satisfactory to APC that (a) the risks of injury or damage have been minimized, (b) the customer assumes all such risks, and (c) the liability of APC is adequately protected under the circumstances.

## Examples of life-support devices

The term *life-support device* includes but is not limited to neonatal oxygen analyzers, nerve stimulators (whether used for anesthesia, pain relief, or other purposes), autotransfusion devices, blood pumps, defibrillators, arrhythmia detectors and alarms, pacemakers, hemodialysis systems, peritoneal dialysis systems, neonatal ventilator incubators, ventilators (for adults and infants), anesthesia ventilators, infusion pumps, and any other devices designated as “critical” by the U.S. FDA.

Hospital-grade wiring devices and leakage current protection may be ordered as options on many APC UPS systems. APC does not claim that units with these modifications are certified or listed as hospital-grade by APC or any other organization. Therefore these units do not meet the requirements for use in direct patient care.

# Radio Frequency Interference



**Warning:** Changes or modifications to this unit not expressly approved by the party responsible for compliance could void the user's authority to operate this equipment.

## USA—FCC

This equipment has been tested and found to comply with the limits for a Class A digital device, pursuant to part 15 of the FCC Rules. These limits are designed to provide reasonable protection against harmful interference when the equipment is operated in a commercial environment. This equipment generates, uses, and can radiate radio frequency energy and, if not installed and used in accordance with this user manual, may cause harmful interference to radio communications. Operation of this equipment in a residential area is likely to cause harmful interference. The user will bear sole responsibility for correcting such interference.

## Canada—ICES

This Class A digital apparatus complies with Canadian ICES-003.

*Cet appareil numérique de la classe A est conforme à la norme NMB-003 du Canada.*

## Japan—VCCI

This is a Class A product based on the standard of the Voluntary Control Council for Interference by Information Technology Equipment (VCCI). If this equipment is used in a domestic environment, radio disturbance may occur, in which case, the user may be required to take corrective actions.

この装置は、情報処理装置等電波障害自主規制協議会（VCCI）の基準に基づくクラス A 情報技術装置です。この装置を家庭環境で使用すると、電波妨害を引き起こすことがあります。この場合には、使用者が適切な対策を講ずるよう要求されることがあります。

## Taiwan—BSMI

警告使用者：  
這是甲類的資訊產品，在居住的環境中使用時，可能會造成射頻干擾，在這種情況下，使用者會被要求採取某些適當的對策。

# APC Worldwide Customer Support

Customer support for this or any other APC product is available at no charge in any of the following ways:

- Visit the APC Web site to access documents in the APC Knowledge Base and to submit customer support requests.
  - **www.apc.com** (Corporate Headquarters)  
Connect to localized APC Web sites for specific countries, each of which provides customer support information.
  - **www.apc.com/support/**  
Global support searching APC Knowledge Base and using e-support.
- Contact an APC Customer Support center by telephone or e-mail.
  - Regional centers

Direct InfraStruXure Customer Support Line	(1)(877)537-0607 (toll free)
APC headquarters U.S., Canada	(1)(800)800-4272 (toll free)
Latin America	(1)(401)789-5735 (USA)
Europe, Middle East, Africa	(353)(91)702000 (Ireland)
Japan	(0) 35434-2021
Australia, New Zealand, South Pacific area	(61) (2) 9955 9366 (Australia)

- Local, country-specific centers: go to **www.apc.com/support/contact** for contact information.

Contact the APC representative or other distributor from whom you purchased your APC product for information on how to obtain local customer support.

Entire contents copyright 2006 American Power Conversion Corporation. All rights reserved. Reproduction in whole or in part without permission is prohibited. APC, the APC logo, InfraStruXure, and NetShelter are trademarks of American Power Conversion Corporation. All other trademarks, product names, and corporate names are the property of their respective owners and are used for informational purposes only.



990-1605B-001



08/2006

## Free Manuals Download Website

<http://myh66.com>

<http://usermanuals.us>

<http://www.somanuals.com>

<http://www.4manuals.cc>

<http://www.manual-lib.com>

<http://www.404manual.com>

<http://www.luxmanual.com>

<http://aubethermostatmanual.com>

Golf course search by state

<http://golfingnear.com>

Email search by domain

<http://emailbydomain.com>

Auto manuals search

<http://auto.somanuals.com>

TV manuals search

<http://tv.somanuals.com>