

# PLCE-165

## HARDWARE ILLUSTRATION SHEET

A1. M10X75 HEX HEAD BOLT	-----	[3PCS]
A2. M10X70 HEX HEAD BOLT	-----	[4PCS]
A3. M8X70 HEX HEAD BOLT	-----	[2PCS]
A4. M8X25 HEX HEAD BOLT	-----	[4PCS]
B1. M10 NULON LOCK NUT	-----	[7PCS]
C2. M8 (I.D.) WASHER	-----	[6PCS]
C3. M8 SPRING WASHER	-----	[6PCS]
D1. Ø1" P.V.C. RUBBER GRIP	(9212-015)-----	[4PCS]
D2. FOAM ROLLER	(9161-029)-----	[6PCS]
D3. Ø1" ROUND END CAP	(9211-016)-----	[7PCS]
D4. 50X1.8t END CAP	(9211-005)-----	[1PCS]
D5. 2"X2" FOOT CAP	(9212-003)-----	[4PCS]
D6. Ø1" RUBBER CANE CAP	(9212-019)-----	[1PCS]
D7. 38X1.8t END CAP	(9211-003)-----	[3PCS]

Qty.

A1      A2      A3      A4



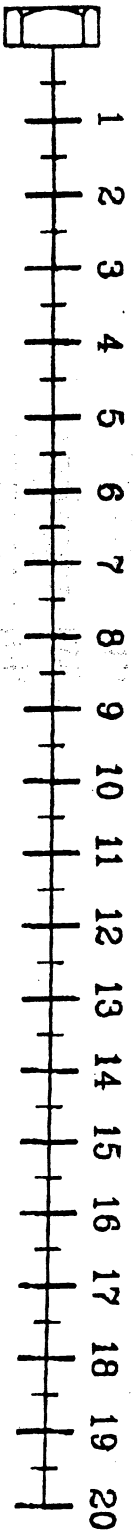
B1      C2      C3



D1      D2      D3      D4



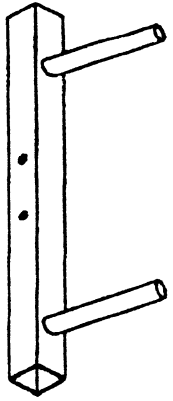
D5      D6      D7



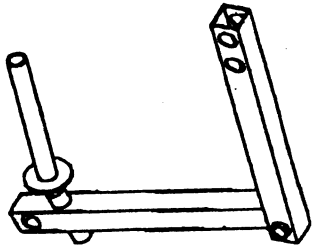
# PLCE-165

## HARDWARE ILLUSTRATION SHEET

A [1PCS]



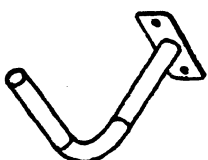
D [1PCS]



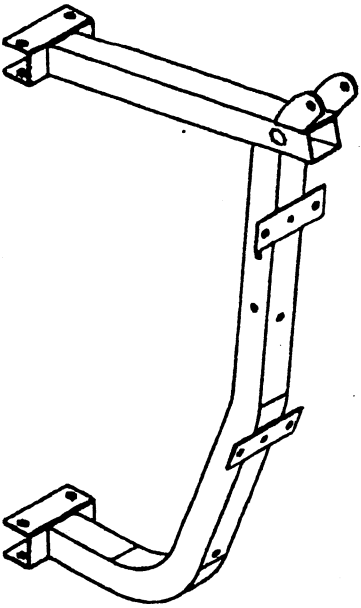
E [1PCS]



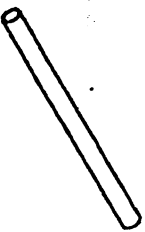
F [1PCS]



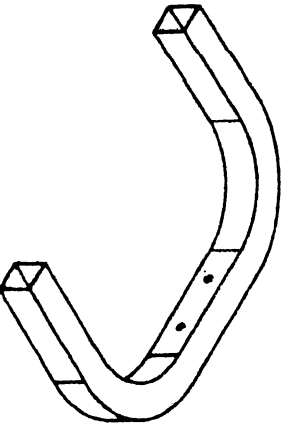
B [1PCS]



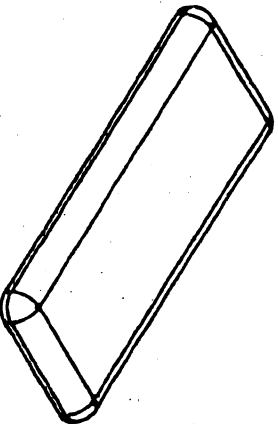
G [3PCS]



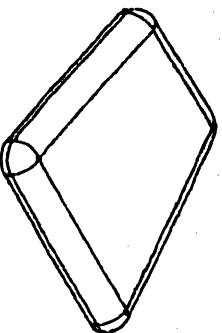
C [1PCS]

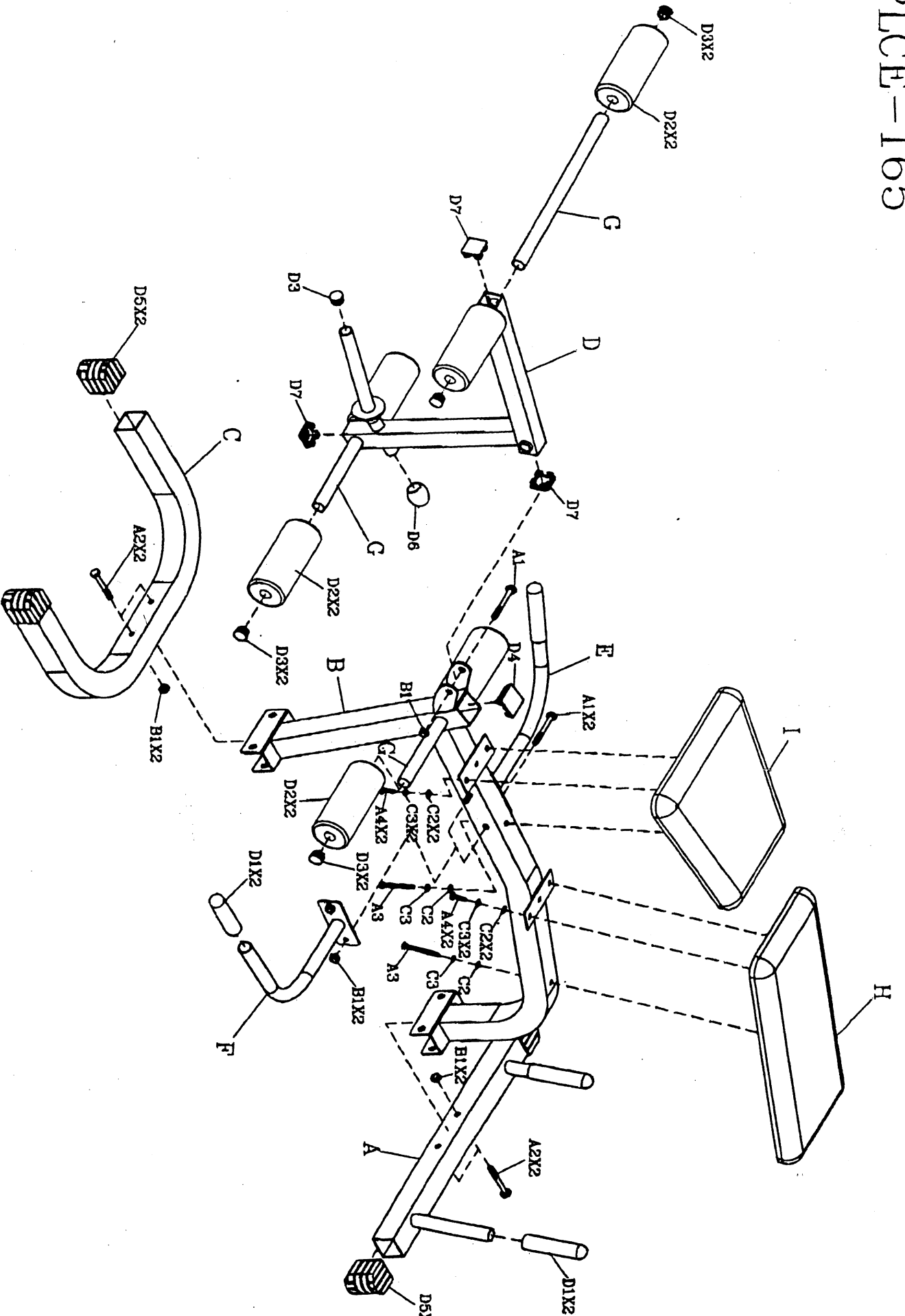


H [1PCS]



I [1PCS]





## Free Manuals Download Website

<http://myh66.com>

<http://usermanuals.us>

<http://www.somanuals.com>

<http://www.4manuals.cc>

<http://www.manual-lib.com>

<http://www.404manual.com>

<http://www.luxmanual.com>

<http://aubethermostatmanual.com>

Golf course search by state

<http://golfingnear.com>

Email search by domain

<http://emailbydomain.com>

Auto manuals search

<http://auto.somanuals.com>

TV manuals search

<http://tv.somanuals.com>