

ACRYLUX™ 32" x 32" SHOWER BASE

❑ **3232Y1.ST SHOWER BASE**

Product Features:

- High-gloss acrylic-capped ABS with fiberglass reinforcement
- Single threshold
- Integral three-sided, tiling/water retention flange
- Textured bottom

Nominal Dimensions:

31-7/8" x 31-5/8" x 5-1/8"
(810 x 803 x 130mm)

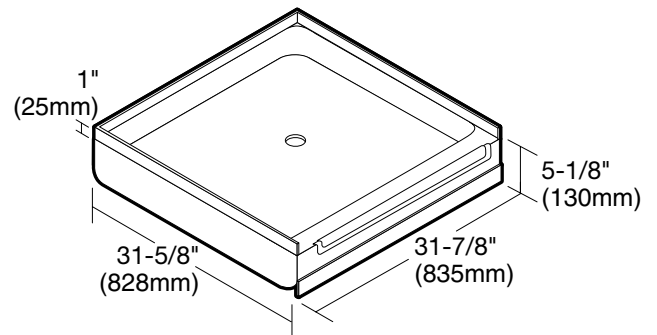
For use with:

- 3232Y1.SW Shower Wall Set
- Base can also be installed without Acrylux wall set

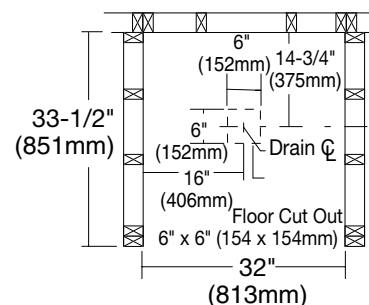
Compliance Certifications -

Meets or Exceeds the Following Specifications:

- ANSI Z124.2 for Plastic Showers
- ASTM E162 for Flammability
- NFPA 258 for Smoke Density



STUD LAYOUT



⊗ = Stud Location

Free Manuals Download Website

<http://myh66.com>

<http://usermanuals.us>

<http://www.somanuals.com>

<http://www.4manuals.cc>

<http://www.manual-lib.com>

<http://www.404manual.com>

<http://www.luxmanual.com>

<http://aubethermostatmanual.com>

Golf course search by state

<http://golfingnear.com>

Email search by domain

<http://emailbydomain.com>

Auto manuals search

<http://auto.somanuals.com>

TV manuals search

<http://tv.somanuals.com>