






A.O. Smith Water Heaters

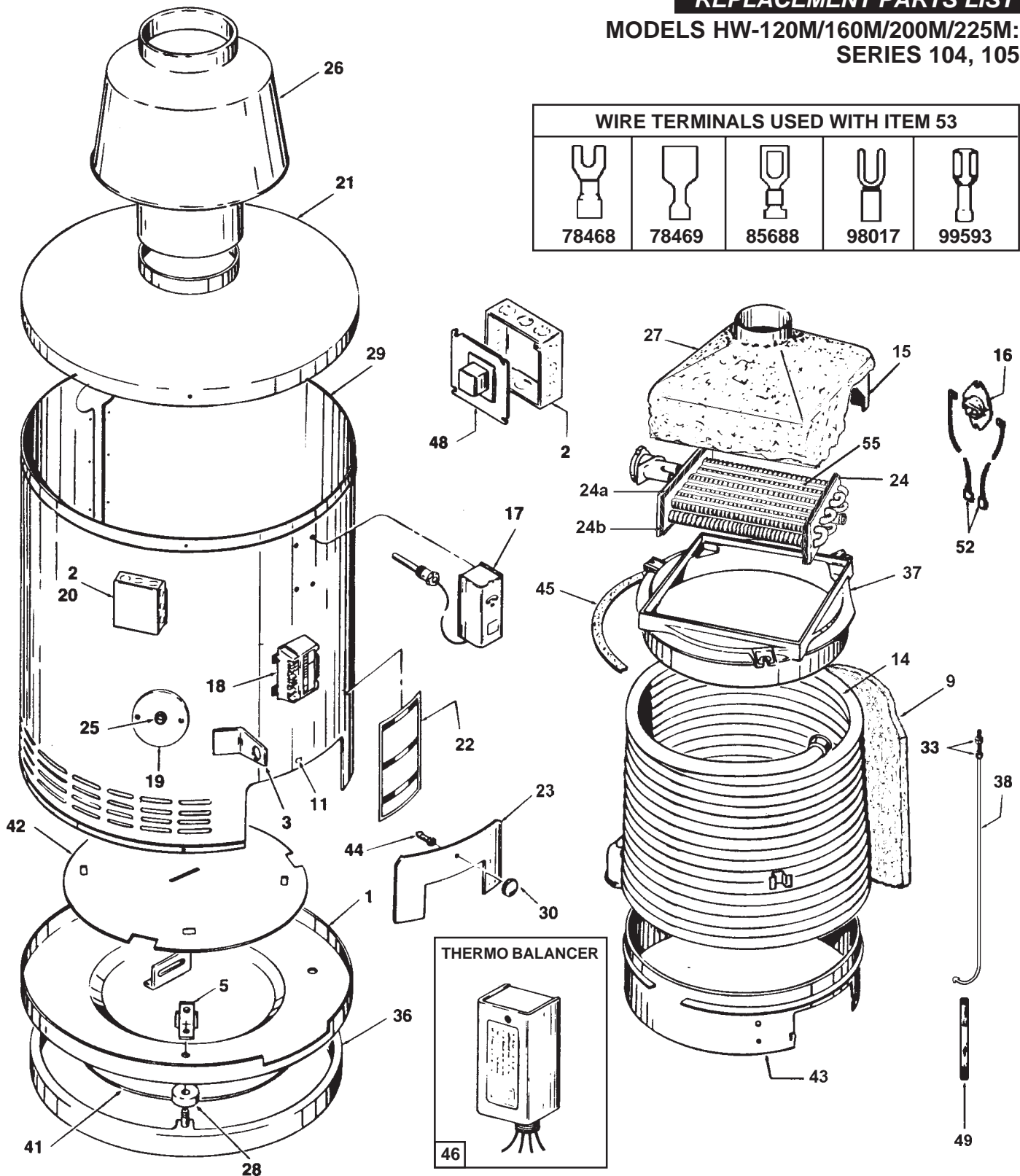
GAS

BURKAY COMMERCIAL WATER HEATER REPLACEMENT PARTS LIST

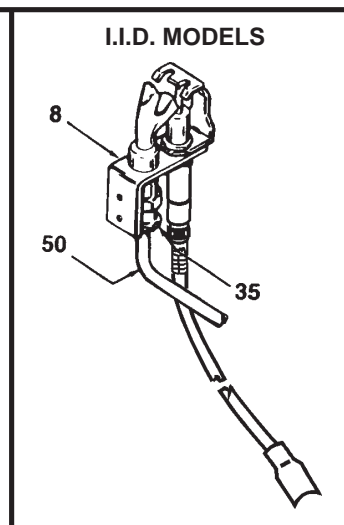
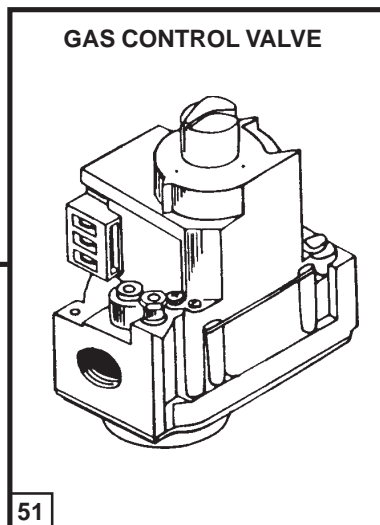
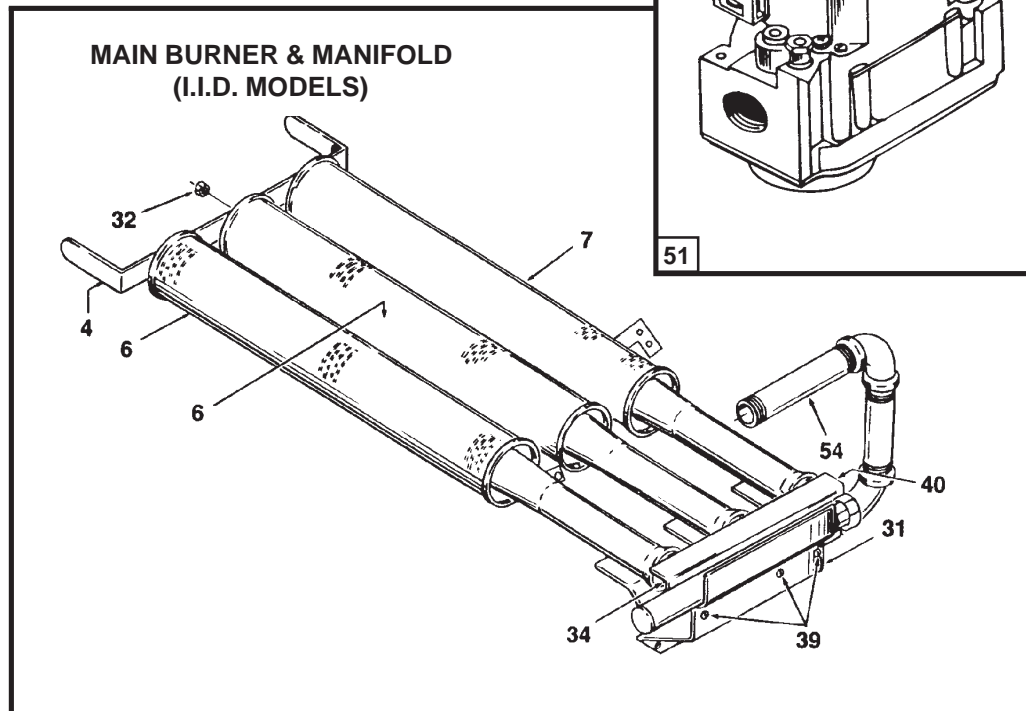
MODELS HW-120M/160M/200M/225M:
SERIES 104, 105

WIRE TERMINALS USED WITH ITEM 53

				
78468	78469	85688	98017	99593



A.O. SMITH WATER PRODUCTS CO., INC.
500 Tennessee Waltz Parkway • Ashland City, TN 37015
1-800-433-2545 • Fax: 1-800-433-2515
website: www.hotwater.com



ITEM	DESCRIPTION	HW 120M	HW 160M	HW 200M	HW 225M
1	Base, Assembly	97981-702	97981-702	97981-702	97981-702
2	Box, Junction	93558	93558	93558	93558
3	Bracket, Control	93764-004	93764-004	93764-004	93764-005
4	Bracket, Main Burner Support (Rear)	78882	78882	78882	78882
5	Bracket, Skirt Support	97963	97963	97963	97963
6	Burner, Main	78382	78382	78382	78382
7	Burner, Main - With Pilot Bracket	170613-3	170613-3	170613-3	170613-3
8	Burner, Pilot - With Orifice:				
	Natural Gas	<u>210871-2</u>	<u>210871-2</u>	<u>210871-2</u>	<u>210871-2</u>
	Propane Gas	<u>210871-3</u>	<u>210871-3</u>	<u>210871-3</u>	----
9	Insulation - Wrap	211927	211927	211928	211928
11	Catch, Door	28666	28666	28666	28666
14	Coil, Combustion Chamber	97272	97272	97273	97273
15	Collector, Flue	212032	212032-1	212032-2	212032-3
16	Control, Coil Limit (Protector Switch)	<u>77981-2</u>	<u>77981-2</u>	<u>77981-2</u>	<u>77981-2</u>
17	Control, Automatic Gas Shutoff	191394	191394	191394	191394
18	Control, Intermittent Ignition:				
	Natural Gas	191182	191182	191182	191182
	Propane Gas	191182-1	191182-1	191182-1	----
19	Cover, Coil Limit (Protector Switch)	96667-700	96667-700	96667-700	96667-700
21	Cover, Top	96231-703	96231-703	96231-703	95115-704
22	*Decals:				
	ASHRAE	160659	160659	160659	160659
	Delime	76770	76770	76770	76770
	Coil Limit	97315	97315	97315	97315
	Lighting & Operating	192012	192012	192012	192012

ITEM	DESCRIPTION	HW 120M	HW 160M	HW 200M	HW 225M
22	*Decals: (continued)				
	Pressure Data	170872-2	170872-2	170872-3	170872-3
	Relief Valve	191463	191463	191463	191463
	Water Inlet	94518	94518	94518	94518
	Water Outlet	94519	94519	94519	94519
	Wiring Diagram:				
	Series 102	192013	192013	192013	192013
	Series 103	192014	192014	192014	192014
23	Door	95093-710	95093-710	95093-710	95093-710
24	Exchanger, Heat	190964	190964	190964	190964
24a	Glass Yarn - 4 reg'd	68831-4	68831-4	68831-4	68831-4
24b	Glass Yarn - 4 reg'd	68831-3	68831-3	68831-3	68831-3
25	Grommet	96053	96053	96053	96053
26	Hood, Draft	191455	95157-700	95157-700	95157-700
27	Insulation, Blanket	212042	212042	212042	212042-1
28	Insulator	32779-1	32779-1	32779-1	32779-1
29	Jacket, Outer	191378-700	191378-700	191378-700	191378-701
30	Knob, Door	89410	89410	89410	89410
31	Manifold	192339	192339	192339	192339
32	Nut, Burner	160360	160360	160360	160360
33	Nut, Tie Rod	85138	85138	85138	85138
34	Orifice, Main Burner:				
	Natural Gas	78790-32	78790-29	78790-23	78790-20
	Propane Gas	78790-49	78790-45	78790-42	---
35	Orifice, Pilot Burner:				
	Natural Gas	6210	6210	6210	6210
	Propane Gas	6211	6211	6211	---
36	Ring, Base	97965-700	97965-700	97965-700	97965-700
37	Ring, Heat Exchanger Support	96553	96553	96553	96553
38	Rod, Tie	94453-8	94453-8	94453-2	94453-2
39	Screw, Manifold	85116-1	85116-1	85116-1	85116-1
40	Shield, Burner	170237	170237	170237	170237
41	Shield, Floor	38049	38049	38049	38049
42	Shield, Radiation	192344	192344-1	192344	192344
43	Skirt, Assembly	96585-1	96585-1	96585	96585
44	Strike, Door	28639	28639	28639	28639
45	Tape, Non-Asbestos	<u>95072-2</u>	<u>95072-2</u>	<u>95072-2</u>	<u>95072-2</u>
46	Thermal Balancer	---	---	98190	98190
48	Transformer - w/Junction Box Cover	69170-10	69170-10	69170-10	69170-10
49	Tube, Fiberglass	68831	68831	68831	68831
50	Tubing, 1/4" x 60" w/Assorted Fittings (User to cut to required length)	<u>1417-60</u>	<u>1417-60</u>	<u>1417-60</u>	<u>1417-60</u>
51	Valve, Gas Control:				
	Natural Gas:				
	Series 102	<u>192015</u>	<u>192015</u>	<u>192015</u>	<u>192015</u>
	Propane Gas:				
	Series 103	<u>192015-1</u>	<u>192015-1</u>	<u>192015-1</u>	---
52	Wire, Coil Limit Control (Two Required)	170889-75	170889-75	170889-75	170889-75
	170889-83	170889-83	170889-83	170889-83
53	*+Wire (See Illustration For Terminals-OrderAs Required.)				
	Wire Conductor (Thermo Plastic)				
	18 AWG Stranded, 105°C				
	Black	170889-43	170889-43	170889-43	170889-43
	White	170889-42	170889-42	170889-42	170889-42
	14 AWG Stranded, 105°C				
	Green	170889-91	170889-91	170889-91	170889-91
	Wire Harness Assembly	192750	192750	192750	192750
54	Standard hardware items to be purchased locally.				
55	V Baffle (5)	192263-1	192263-1	192263-1	192263-1

*Not illustrated.

+When ordering wire, indicate length required in inches. (Example: 86578-100 equals 100" length).

Part numbers underlined are recommended stock items for emergency replacement. (Consider gas used in your area only).

A.O. Smith
Water Heaters

Free Manuals Download Website

<http://myh66.com>

<http://usermanuals.us>

<http://www.somanuals.com>

<http://www.4manuals.cc>

<http://www.manual-lib.com>

<http://www.404manual.com>

<http://www.luxmanual.com>

<http://aubethermostatmanual.com>

Golf course search by state

<http://golfingnear.com>

Email search by domain

<http://emailbydomain.com>

Auto manuals search

<http://auto.somanuals.com>

TV manuals search

<http://tv.somanuals.com>