

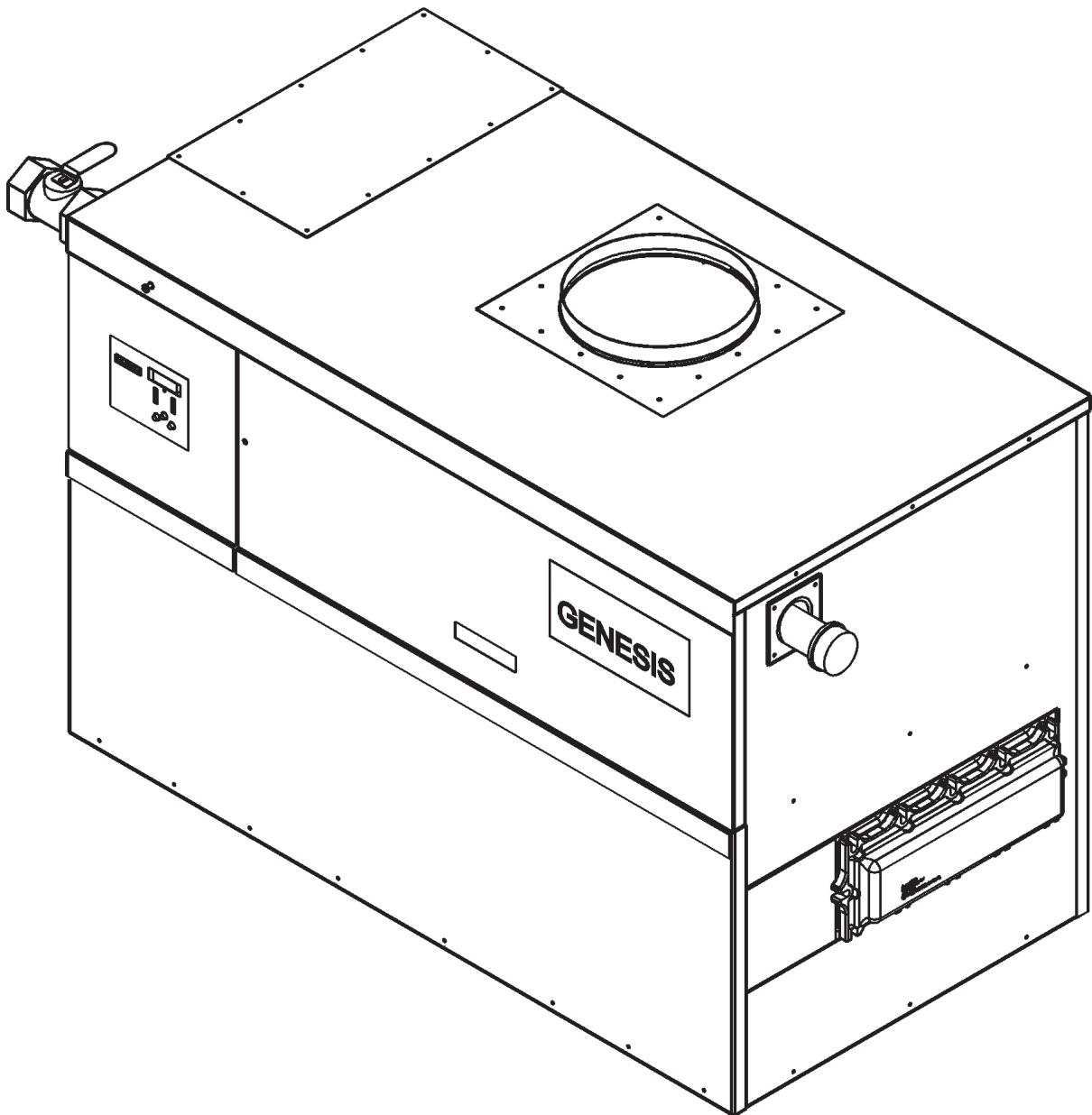
A.O. Smith

Water Heaters

GAS



**GAS-FIRED COMMERCIAL
REPLACEMENT PARTS LIST**
**COPPER BOILERS FOR HYDRONIC
HEATING & HOT WATER SUPPLY**
MODELS GB/GW: 1000, 1300,
1500, 1850, 2100, 2500
SERIES: 400 - 405



A.O. SMITH WATER PRODUCTS COMPANY
500 TENNESSEE WALTZ PARKWAY, ASHLAND CITY, TN 37015
Phone: 1-800-433-2545 • Fax: 1-800-433-2515
website: www.hotwater.com/parts • email: parts@hotwater.com

Item	Qty.	Description	GB/GW 1000	GB/GW 1300	GB/GW 1500	GB/GW 1850	GB/GW 2100	GB/GW 2500
COMBUSTION CHAMBER ASSEMBLY COMPONENTS:								
1	1	Base/Leg Assembly	210702	210702-1	210702-2	210702-3	210702-4	210702-5
2	()	Blower Assembly, Large	211096(1)	211096(2)	211096(2)	211096(3)	211096(3)	211096(3)
3	1	Blower Assembly, Small	211097					
4	()	Bracket, Gas Manifold	210780(3)	210780(3)	210780(3)	210780(4)	210780(5)	210780(7)
5	()	Burner, 60mm	210757(8)	210757(11)	210757(13)	210757(16)	210757(18)	210757(22)
6	()	Burner Assembly	211306(2)	211306(2)	211306(2)	211306(3)	211306(3)	211306(3)
*7	()	Clamp, Hose	211360(2)	211360(2)	211360(2)	211360(3)	211360(3)	211360(3)
8	1	Control Panel	210740	210740-1	210740-2	210740-3	210740-4	210740-5
9	()	Flame Sensor	192682(3)	192682(3)	192682(3)	192682(4)	192682(4)	192682(4)
10	1	Fluebox Assembly	211290	211290-1	211290-1	211290-2	211290-2	211290-3
11	()	Gas Train, 3 Burner - Nat.	211082(2)	211082(1)			211082(2)	211082(4)
12	()	Gas Train, 3 Burner - Prop.	211082-1(2)	211082-1(1)			211082-1(2)	211082-1(4)
13	()	Gas Train, 4 & 5 Burner - Nat.	211081(1)	211081(2)	211081(3)	211081(4)	211081(3)	211081(3)
14	()	Gas Train, 4 & 5 Burner - Prop.	211081-1(1)	211081-1(2)	211081-1(3)	211081-1(4)	211081-1(3)	211081-1(3)
15	()	Gasket, Blower	210775(1)	210775(2)	210775(2)	210775(3)	210775(3)	210775(3)
16	1	Gasket, Blower	210776					
17	()	Gasket, Burner	210744	210744	210744	210744	210744	210744
18	1	Gasket, Divider Insert		211363	211363	211363	211363	
19	2	Gasket, Heat Exchanger	210779	210779	210779	210779	210779	210779
20	()	Gasket, Igniter	210078(1)	210078(2)	210078(2)	210078(2)	210078(2)	210078(2)
21	2	Gasket, Observation Port	211297	211297	211297	211297	211297	211297
22	1	Heat Exchgr. Ass'y (GB ONLY)	210731	210731-1	210731-2	210731-3	210731-4	210731-5
22A	1	Heat Exchgr. Ass'y Brass(GB ONLY)	211494	211494-1	211494-2	211494-3	211494-4	211494-5
23	1	Heat Exchgr. Ass'y (GW ONLY)	210750	210750-1	210750-2	210750-3	210750-4	210750-5
23A	1	Heat Exchgr. Ass'y Brass(GW ONLY)	211582	211582-1	211582-2	211582-3	211582-4	211582-5
24	()	Igniter	192334(1)	192334(2)	192334(2)	192334(2)	192334(2)	192334(2)
25	1	Insulation Assembly						
A	1	Insulation, Bottom Mate		210724	210724-1	210724-2	210724-3	210724-4
B	1	Insulation, Bottom Panel	210746	210723	210723	210723	210723	210723
C	1	Insulation, Front Mate		210722	210722-1	210722-2	210722-3	210722-4
D	1	Insulation, Front Panel	210744	210721	210721	210721	210795	210794
E	1	Insulation, Rear Mate		210726	210726-1	210726-2	210726-3	210726-4
F	1	Insulation, Rear Panel	210745	210725	210725	210725	210725	210725
G	1	Insulation, Side Panel	210727	210727	210727	210727	210727	210727
H	1	Insulation, Side Panel	210727-1	210727-1	210727-1	210727-1	210727-1	210727-1
I	1	Insulation, Side Panel	210728-6	210728-6	210728-7	210728-9	210728-10	210728-11
J	1	Insulation, Side Panel	210728-12	210728-1	210728-5	210728-2	210728-4	210728-8
K	1	Insulation, Top Panel	210743	210743-1	210743-1	210743-2	210743-2	210743-3
26	2	Insulation, Fluebox Outer	211411	211411-1	211411-1	211411-2	211411-2	211411-3
27	1	Main Gas Manifold	210756	210756-1	210756-2	210756-3	210756-4	210756-5
28	()	Man. Assembly, 3 Burner	210755(1)				210755(2)	210755(2)
29	()	Man. Assembly, 3 Burner	210761	210761				210761(2)
30	()	Man. Assembly, 4 Burner	210754(1)			210754(1)		210754(2)
31	()	Man. Assembly, 5 Burner		210763(2)	210763(3)	210763(3)	210763(3)	210763(1)
32	()	Nut, Hex Serrated Flange	210226(8)	210226(8)	210226(8)	210226(12)	210226(12)	210226(12)
33	()	Nut, Locking	210174(6)	210174(6)	210174(6)	210174(9)	210174(9)	210174(9)
34	2	Observation Port Assembly	98760	98760	98760	98760	98760	98760
35	()	Orifice-Natural	210758-111(10)	210758-111(13)	210758-111(15)	210758-111(19)	210758-111(21)	210758-111(25)
36	()	Orifice-Propane	210758-75(10)	210758-75(13)	210758-75(15)	210758-75(19)	210758-75(21)	210758-75(25)
37	()	Panel, Air Box Divider	210720(1)			210720(1)	210720(1)	210720(2)
38	1	Panel, Air Box Divider w/Slot		210720-1	210720-1	210720-1	210720-1	
39	()	Panel, Air Diverter	211080(2)	211080(2)	211080(2)	211080(3)	211080(3)	211080(3)
40	1	Panel, Front Combustion	210703	210703-1	210703-2	210703-3	210703-4	210703-5
41	1	Panel, Side Air Chamber	211088	211088	211088	211088	211088	211088
42	1	Panel, Side Air Chamber	211088-1	211088-1	211088-1	211088-1	211088-1	211088-1
43	1	Panel, Top Combustion	210717	210717-1	210717-2	211135	211135-1	211135-2
44	1	Plate, Divider Insert		211134	211134	211134	211134	
45	1	Plate, Insert Mate		211309	211309	211309	211309	
46	1	Rear Combustion Assembly	211254	211254-1	211254-2	211254-3	211254-4	211254-5
47	()	Screw Cap	190960(8)	190960(8)	190960(8)	190960(12)	190960(12)	190960(12)
48	1	Side Panel Assembly	210716-1	210716-1	210716-1	210716-1	210716-1	210716-1
49	1	Side Panel Assembly	210716	210716	210716	210716	210716	210716
50	()	Silicone Tube	210209-10(4)	210209-10(4)	210209-10(4)	210209-10(6)	210209-10(6)	210209-10(6)
51	()	Silicone Tube	210209-25(3)	210209-25(3)	210209-25(3)	210209-25(4)	210209-25(4)	210209-25(4)
52	()	Strain Relief	210173(2)	210173(2)	210173(2)	210173(3)	210173(3)	210173(3)
53	()	Strain Relief Tube Assembly	210234(4)	210234(4)	210234(4)	210234(6)	210234(6)	210234(6)
54	1	Switch, Blocked Flue	210908-2	210908-2	210908-2	210908-2	210908-2	210908-2
55	()	Switch, Differential	211094(2)	211094(2)	211094(2)	211094(3)	211094(3)	211094(3)
56	()	Switch, Differential - Prop.	211094-1(2)	211094-1(2)	211094-1(2)	211094-1(3)	211094-1(3)	211094-1(3)
57	1	Switch, Low Gas Nat/Prop	191149-1/3	191149-1/3	191149-1/3	191149-1/3	191149-1/3	191149-1/3

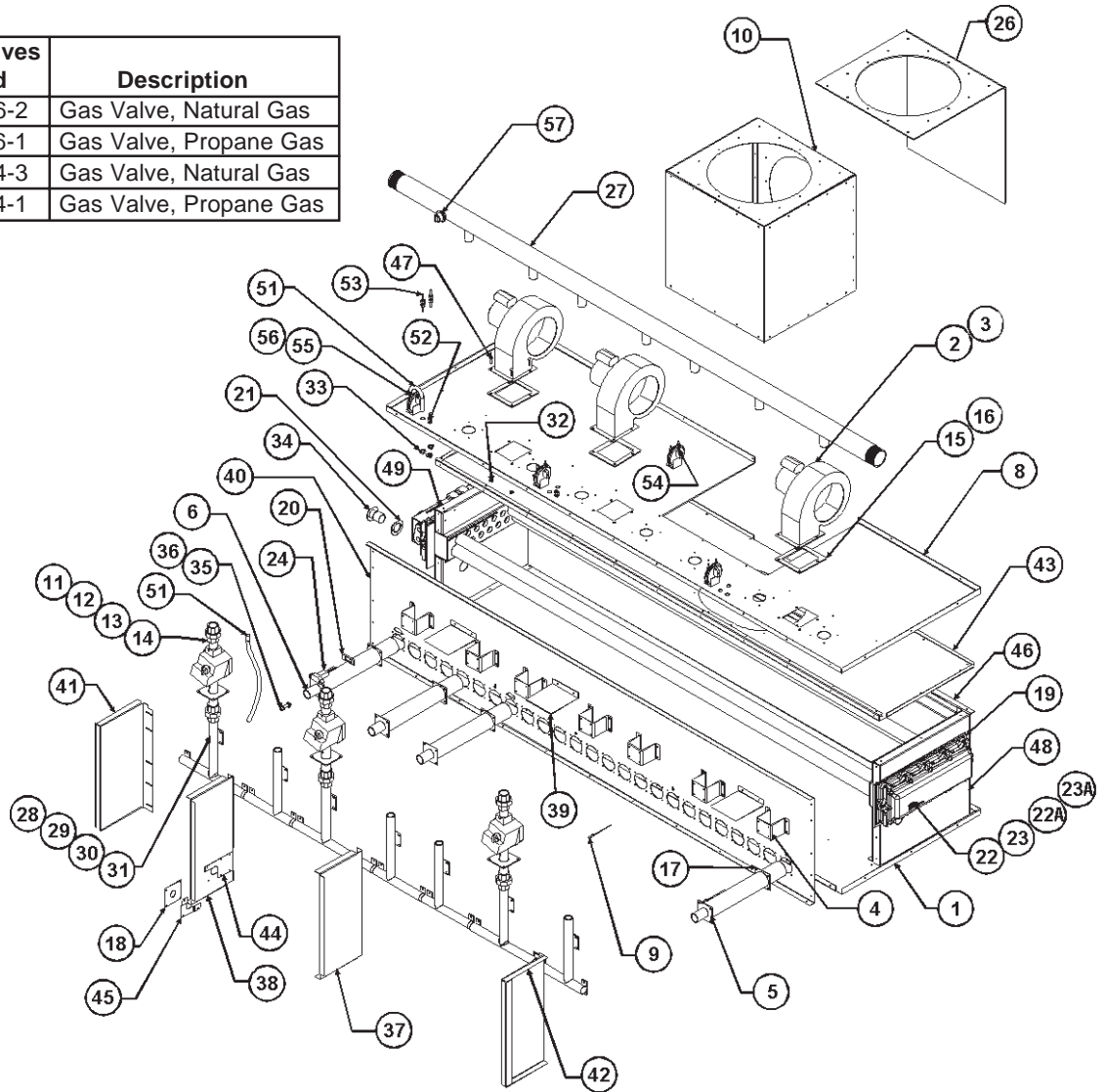
Note: () Item quantity.
* Items not illustrated.

CS-D1 and IRI Models substitute the following part numbers for the Gas Train Assemblies:

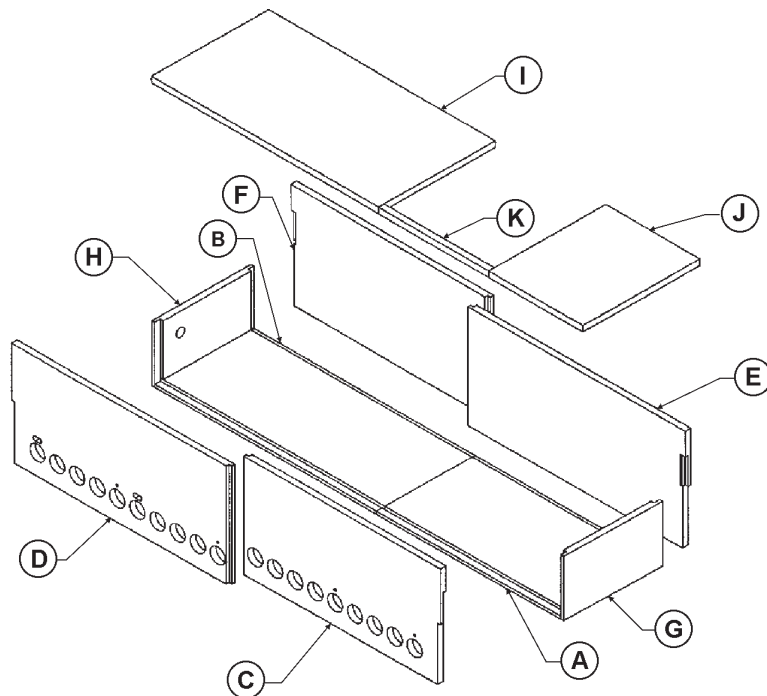
- Item 11 substitute with 211082-2
- Item 12 substitute with 211082-3
- Item 13 substitute with 211081-2
- Item 14 substitute with 211081-3

COMBUSTION CHAMBER ASSEMBLY COMPONENTS

Gas Train	Gas Valves Used	Description
211081	191956-2	Gas Valve, Natural Gas
211081-1	191956-1	Gas Valve, Propane Gas
211082	192454-3	Gas Valve, Natural Gas
211082-1	192454-1	Gas Valve, Propane Gas



INSULATION ASSEMBLY COMPONENTS

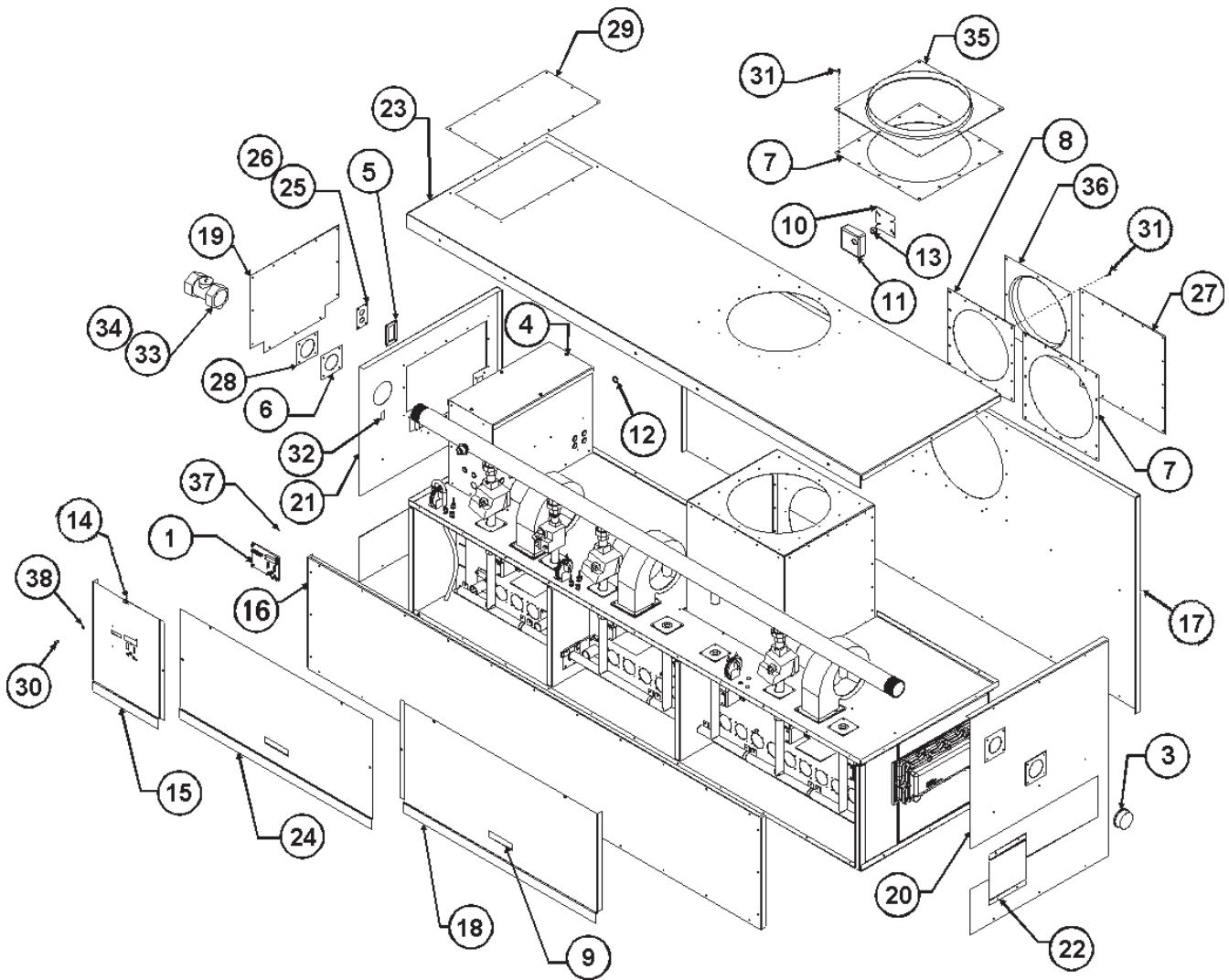


Item	Qty.	Description	GB/GW 1000	GB/GW 1300	GB/GW 1500	GB/GW 1850	GB/GW 2100	GB/GW 2500
JACKET ASSEMBLY COMPONENTS:								
1	1	User Interface, Display	211762	211762	211762	211762	211762	211762
2	1	Bracket, Control Box Support	211362	211362	211362	211362	211362	211362
3	1	Cap, Pipe	43762-1	43762-1	43762-1	43762-2	43762-2	43762-2
4	1	Control Box	212458	212458	212458	212458	212458	212458
5	2	Gasket, Conduit	211266	211266	211266	211266	211266	211266
6	2	Gasket, Main Gas Manifold	211045	211045	211045	211045-1	211045-1	211045-1
7	2	Gasket, Vent Adaptor	211049-1	211049-2	211049-2	211049-3	211049-3	211049-4
8	1	Gasket, Vent Adaptor (Air Inlet)	211049	211049-1	211049-1	211049-1	211049-2	211049-3
9	()	Handle, Front Panel	191802(1)	191802(1)	191802(1)	191802(2)	191802(2)	191802(2)
10	2	J-Box Cover	2233	2233	2233	2233	2233	2233
11	2	Junction Box	190438-4	190438-4	190438-4	190438-4	190438-4	190438-4
12	2	Locknut, Star	1953	1953	1953	1953	1953	1953
13	2	Nipple, Chase	41994	41994	41994	41994	41994	41994
14	()	Nut, Speed	68463(4)	68463(4)	68463(4)	68463(7)	68463(7)	68463(7)
15	1	Panel, Display Ass'y.	212510-000	212510-000	212510-000	212511-001	212511-001	212511-001
16	1	Panel, Front Bottom	211252	211252-1	211252-2	211252-3	211252-4	211252-5
17	1	Panel, Rear Jacket	210739	210739-1	210739-2	211137	211137-1	211137-2
18	1	Panel, Right Jack. Ass'y.	211073	211073-1	211073-2	211282	211282-1	211282-2
19	1	Panel, Side Access	210792	210792	210792	210792	210792	210792
20	1	Panel, Side Jacket	210738	210738	210738	210738-1	210738-1	210738-1
21	1	Panel, Side Jacket	210737	210737	210737	210737-1	210737-1	210737-1
22	2	Panel, Side Jacket Insert	211074	211074	211074	211074	211074	211074
23	1	Panel, Top Jacket	210733	210733-1	210733-2	210733-3	210733-4	210733-5
24	1	Panel, Mid-Jacket Ass'y.	- - - -	- - - -	- - - -	211072	211072	211072-1
25	1	Plate, Conduit	211265	211265	211265	211265	211265	211265
26	1	Plate, Conduit - 2 Holes	211265-1	211265-1	211265-1	211265-1	211265-1	211265-1
27	1	Plate, Flue	211047	211047-1	211047-1	211047-2	211047-2	211047-3
28	2	Plate, Main Gas Manifold	211046	211046	211046	211046-1	211046-1	211046-1
29	1	Plate, Top Jacket	211142	211142	211142	211142	211142	211142
30	()	Screw, Panel	68462(4)	68462(4)	68462(4)	68462(7)	68462(7)	68462(7)
31	()	Screw, Sheet Metal	210125-1(52)	210125-1(56)	210125-1(56)	210125-1(56)	210125-1(56)	210125-1(56)
32	1	Switch, Rocker	191665-1	191665-1	191665-1	212839	212839	212839
33	1	Valve, Ball 2 X 2	69022-2	69022-2	69022-2	- - - -	- - - -	- - - -
34	1	Valve, Ball 2 1/2 X 2 1/2	- - - -	- - - -	- - - -	69022-3	69022-3	69022-3
35	1	Vent Adaptor - Exhaust	210783-1	210783-2	210783-2	210783-3	210783-3	210783-4
36	1	Vent Adaptor - Air Inlet	210783	210783-1	210783-1	210783-1	210783-2	210783-2
37	4	Washer, Locknut	210207	210207	210207	210207	210207	210207
38	()	Washer, Retaining (SPL)	68338(4)	68338(4)	68338(4)	68338(7)	68338(7)	68338(7)

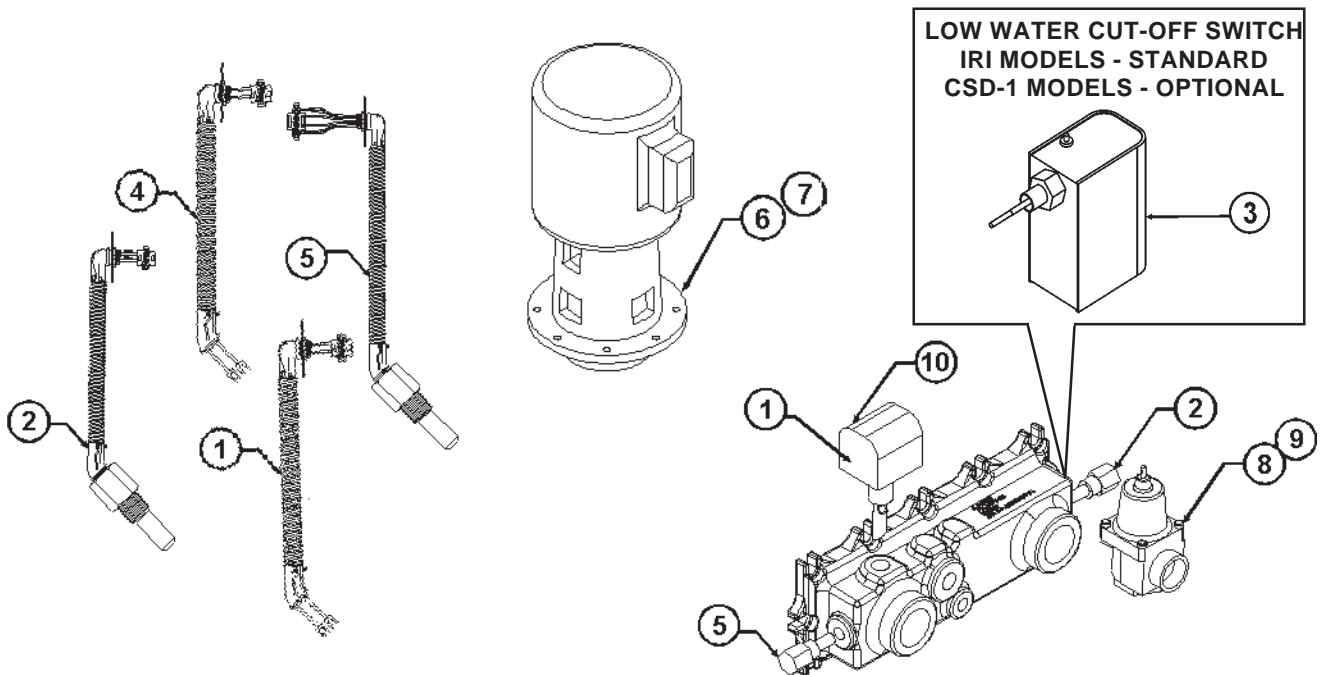
Item	Qty.	Description	GB 1000, 1300	GB 1500	GB 1850, 2100	GB 2500	GW 1000 - 1500	GW 1850	GW 2100, 2500
WATER HEATER CONNECTIONS:									
1	1	Flow Switch Conduit Ass'y.	211156	211156	211156	211156	211156	211156	211156
2	1	Inlet Temp Conduit Ass'y.	210180-1	210180-1	210180-1	210180-1	210180-1	210180-1	210180-1
3	1	Low Water Cutoff	210376	210376	210376	210376	210376	210376	210376
4	1	Low Water Cutoff Conduit Ass'y.	211118	211118	211118	211118	211118	211118	211118
5	1	Outlet Conduit Ass'y.	210181-1	210181-1	210181-1	210181-1	210181-1	210181-1	210181-1
6	1	Pump - 1/2 HP Volute	- - - -	- - - -	- - - -	- - - -	211324	- - - -	- - - -
7	1	Pump - 1 HP Volute	- - - -	- - - -	- - - -	- - - -	- - - -	211251	211251
8	1	Relief Valve-125 psi	- - - -	- - - -	- - - -	- - - -	98883-3	98883-3	98883-7
9	1	Relief Valve-50 psi	210451-1	210451-2	210451-2	210451-3	- - - -	- - - -	- - - -
10	1	Switch - Flow	210176	210176	210176	210176	210176	210176	210176
*11	1	Tank Probe	- - - -	- - - -	- - - -	- - - -	210211-1	210211-1	210211-1

Note: () Item quantity. * Items not illustrated.

JACKET ASSEMBLY COMPONENTS

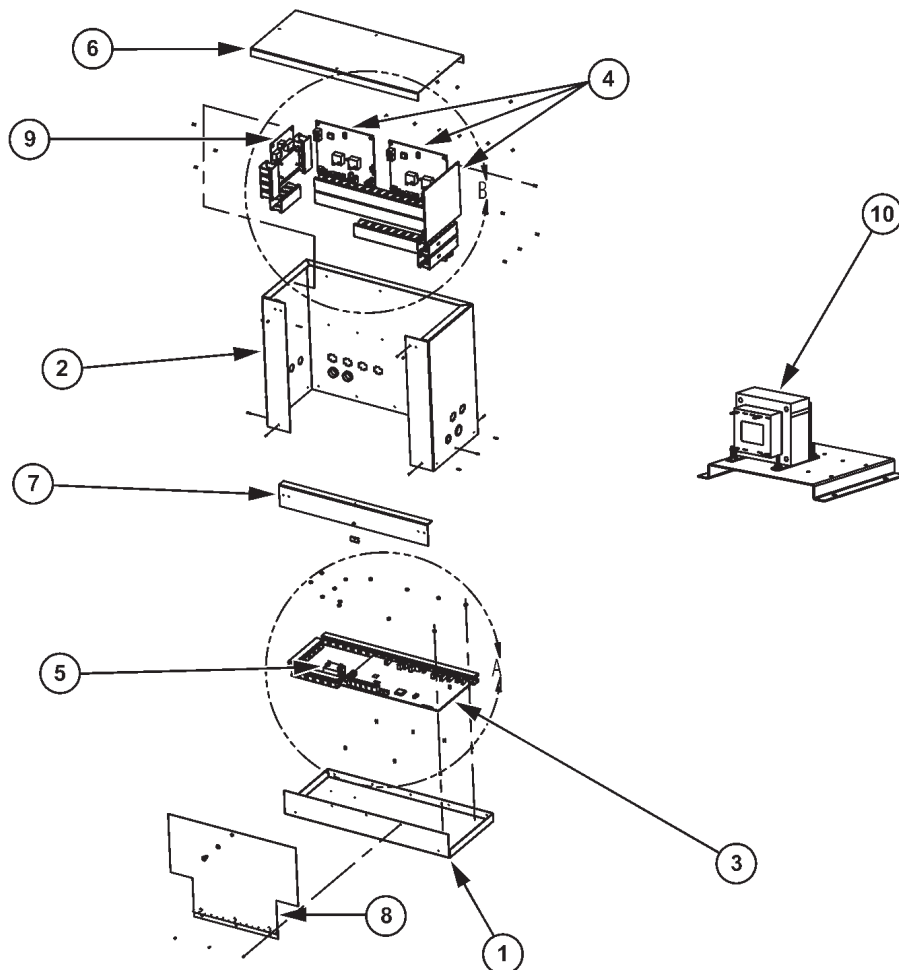


WATER HEATER CONNECTIONS



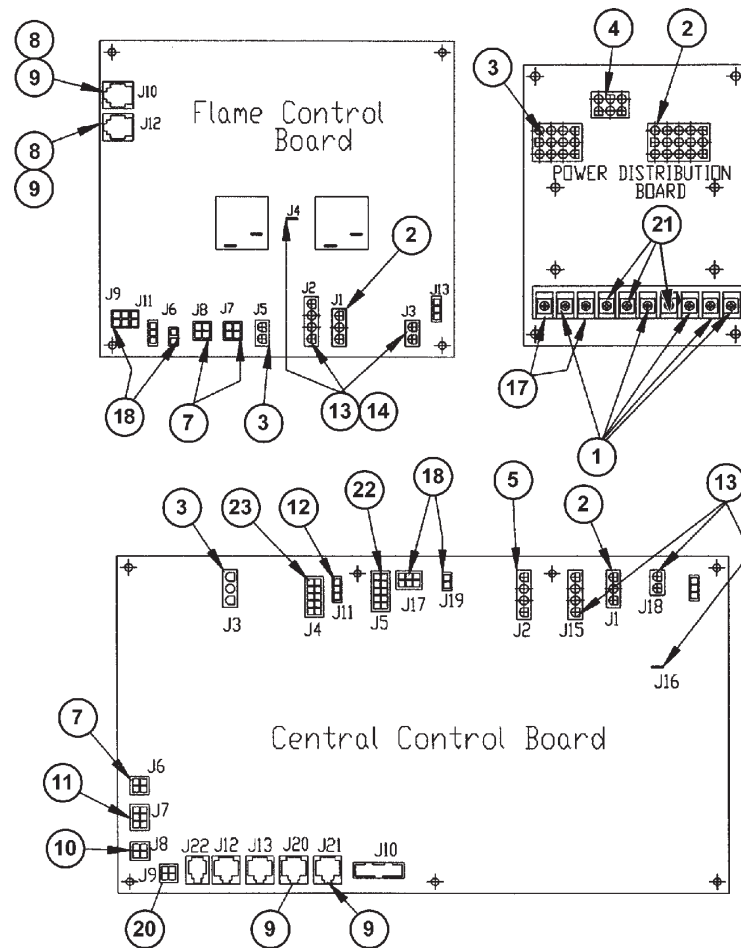
Item	Qty.	Description	GB/GW 1000-1500	GB/GW 1850-2500	GB/GW 1000-1500 IRI	GB/GW 1850-2500 IRI
1	1	Control Box Base	212459-001	212459-000	212459-003	212459-002
2	1	Control Box Panel	212457-001	212457-000	212457-001	212457-000
3	1	Central Control Board (CCB)	211758	211758	211758	211758
4	()	Flame Control Board (FCB)	211759 (2)	211759 (3)	211759 (2)	211759 (3)
5	()	Relay, 120-volt	211546 (1)	211546 (1)	211546 (2)	211546 (2)
6	1	Control Box Top	211109	211109	211109	211109
7	1	Support Bracket	212455	212455	212455	212455
8	1	Control Box Front Panel	212461	212461	212461	212461
9	1	Power Distribution Board (PDB)	211760-000	211760-000	211760-000	211760-000
10	1	Transformer, 150 VA	211477	-----	211477	-----
10	1	Transformer, 250 VA	-----	211673	-----	211673

CONTROL BOX ASSEMBLY



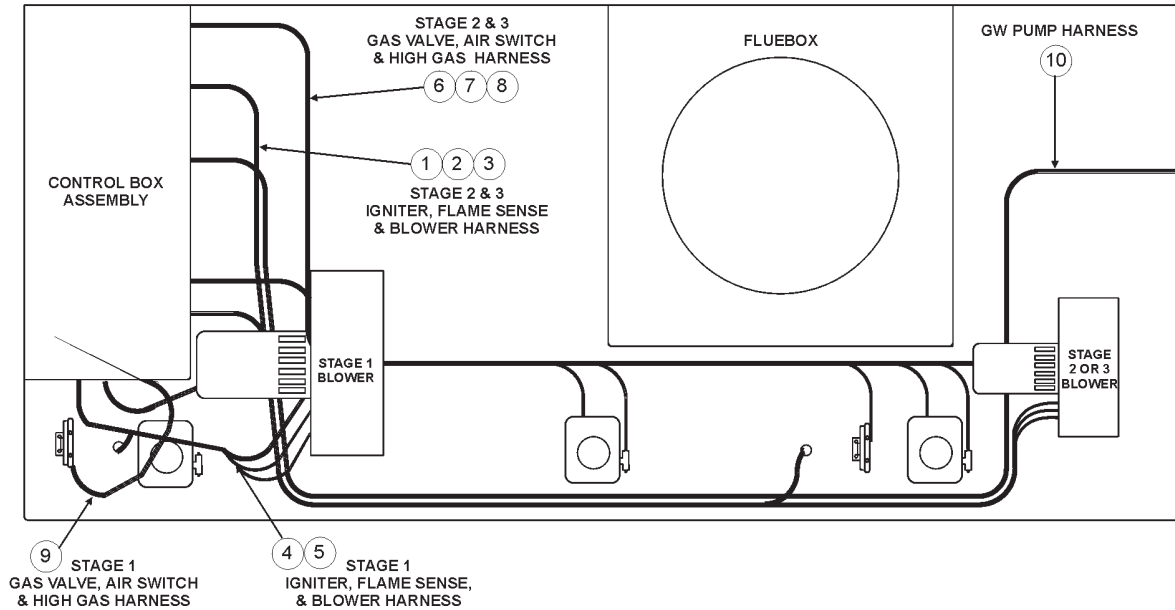
Item	Qty.	Description	GB/GW 1000-1500	GB/GW 1850-2500
1	1	Harness, Power Line Input	212447	212447
2	1	Harness, 120 VAC Power Distribution	212410-000	212410-001
3	1	Harness, 24 VAC Power Distribution	212409-000	212409-001
4	1	Harness, Transformer	212411-000	212411-001
5	1	Harness, Relay Coil	211949-002	211949-002
6	1	Harness, Gas Valve Relay Power (Not Shown)	211952-000	211952-000
7	()	Harness, Gas Valve Relay Power	211951-001(1)	211951-001(2)
8	()	Harness, Communication	211953-001 (1)	211953-000 (2)
9	2	Harness, Communication	211953-001	211953-001
10	1	Harness, Inlet Probe	211954-000	211954-000
11	1	Harness, Outlet ECO	211955-000	211955-000
12	1	Harness, External Thermostat	211956-002	211956-002
13	()	Harness, 120 VAC Stage Output	212692-000 (1)	212692-000 (2)
14	2	Harness, 120 VAC Stage Output	212692-001	212692-001
15	()	Harness, Chassis Grounding (Not Shown)	211204-407(3)	211204-407(4)
16	1	Harness, Transformer Jumper (Not Shown)	-----	211204-415
17	1	Harness, Pump Relay Contacts	211963-000	211963-000
18	3	Harness, 24 VAC Output Stages	212413-000	212413-000
19	1	Harness, 24 VAC Output Stages	-----	212413-001
20	1	Harness, Tank Probe	211989-000	211989-000
21	1	Harness, Pump	211945-003	211945-003
22	1	Harness, Switch Input	211950-003	211950-003
23	1	Harness, 24 VAC Output	211951-001	211951-001

WIRE HARNESS



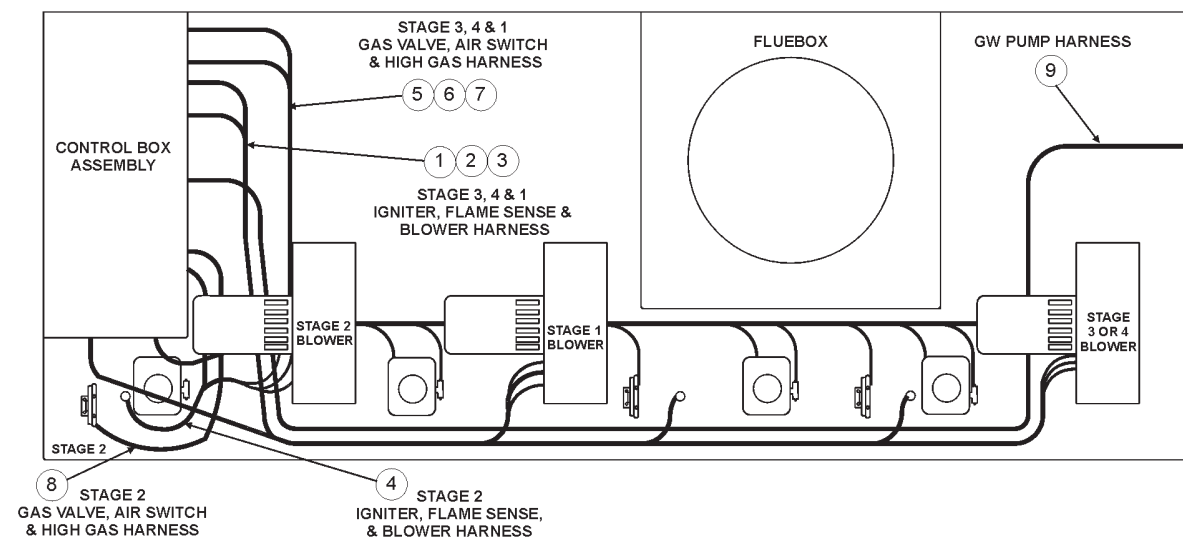
Item	Qty.	Description	GB 1000	GW 1000	GB 1300	GW 1300	GB 1500	GW 1500
1	1	120VAC Termination Assembly	211379	211379				
2	1	120VAC Termination Assembly			211378	211378		
3	1	120VAC Termination Assembly					211376	211376
4	1	120VAC Termination Assembly			211101	211101	211101	211101
5	1	120VAC Termination Assembly	211101-1	211101-1				
6	1	24VAC Termination Assembly	211380	211380				
7	1	24VAC Termination Assembly			211377	211377		
8	1	24VAC Termination Assembly					211375	211375
9	1	24VAC Termination Assembly	211100	211100	211100	211100	211100	211100
10	1	GW Pump Harness Assembly		211393		211393-1		211393-2

3 STAGE CONTROL SHELF WIRING HARNESSSES

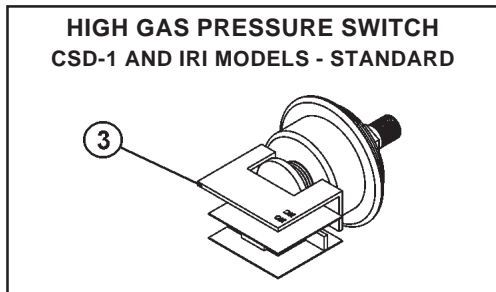
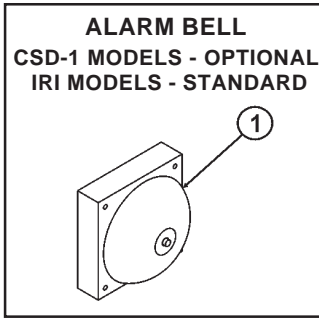


Item	Qty.	Description	GB 1850	GW 1850	GB 2100	GW 2100	GB 2500	GW 2500
1	1	120VAC Termination Assembly	211382	211382				
2	1	120VAC Termination Assembly			211385	211385		
3	1	120VAC Termination Assembly					211386	211386
4	1	120VAC Termination Assembly	211101	211101	211101	211101	211101	211101
5	1	24VAC Termination Assembly	211381	211381				
6	1	24VAC Termination Assembly			211387	211387		
7	1	24VAC Termination Assembly					211388	211388
8	1	24VAC Termination Assembly	211100	211100	211100	211100	211100	211100
9	1	GW Pump Harness Assembly		211393-3		211393-4		211393-5

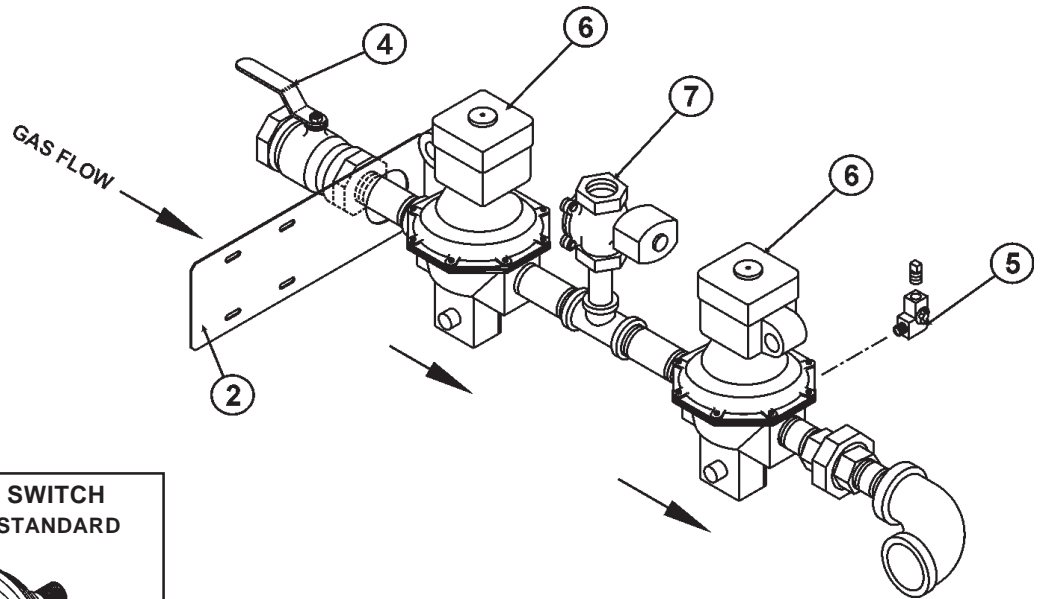
4 STAGE CONTROL SHELF WIRING HARNESSSES



IRI/CSD-1 COMPONENTS



IRI GAS TRAIN ASSEMBLY



COMPLETE IRI GAS TRAIN ASSEMBLIES:
 • GB/GW 1000-1500 MODELS - 211502
 • GB/GW 1850-2500 MODELS - 211502-1

Item	Qty.	Description	GB/GW 1000	GB/GW 1300	GB/GW 1500	GB/GW 1850	GB/GW 2100	GB/GW 2500
IRI/CSD-1 COMPONENTS:								
1	1	Alarm Bell	211472	211472	211472	211472	211472	211472
2	1	Bracket	211504	211504	211504	211504	211504	211504
3	()	High Pressure Switch - Natural	192527-1(3)	192527-1(3)	192527-1(3)	192527-1(4)	192527-1(5)	192527-1(7)
	()	High Pressure Switch - Propane	192527(3)	192527(3)	192527(3)	192527(4)	192527(5)	192527(7)
4	1	Main Manual Shut-Off	69022-2	69022-2	69022-2	69022-3	69022-3	69022-3
5	1	Pilot Shut-Off Valve	200683	200683	200683	200683	200683	200683
6	2	Safety Shut-Off Valve	211503	211503	211503	211503	211503	211503
7	1	Vent, Valve	210698-1	210698-1	210698-1	210698-2	210698-2	210698-2

Note: () Item quantity. * Items not illustrated.

CSD-1 and IRI Models substitute the following part numbers for the Gas Train Assemblies shown on pages 2-3:

- Item 11 substitute with 211082-2
- Item 12 substitute with 211082-3
- Item 13 substitute with 211081-2
- Item 14 substitute with 211081-3

A.O. Smith

Water Heaters

500 Tennessee Waltz Parkway, Ashland City, TN 37015
Phone: 800-433-2545 Fax: 800-433-2515
www.hotwater.com E-Mail: parts@hotwater.com

Free Manuals Download Website

<http://myh66.com>

<http://usermanuals.us>

<http://www.somanuals.com>

<http://www.4manuals.cc>

<http://www.manual-lib.com>

<http://www.404manual.com>

<http://www.luxmanual.com>

<http://aubethermostatmanual.com>

Golf course search by state

<http://golfingnear.com>

Email search by domain

<http://emailbydomain.com>

Auto manuals search

<http://auto.somanuals.com>

TV manuals search

<http://tv.somanuals.com>