

A.O. SMITH

Ac-U-Temp Hot Water Supply Systems

The "TOTAL SYSTEM" Concept - We have taken our highly efficient equipment and created a convenient package; a complete domestic hot water system.

Simplifies Installation - The installer simply connects the flue gas, electric supply, cold water make-up, and hot water supply (Building return loops connect to cold water make-up.)

Eliminates Costly Field Errors - These complete hot water systems are factory-engineered and assembled to assure proper pipe, pump and wire sizing. Systems are pre-piped and wired to guarantee maximum system efficiency.

Factory Tested - Each Ac-U-Temp system is hydrostatic and fire tested before shipping from the factory.

Ac-U-Temp Storage Tanks - Each Ac-U-Temp storage tank is especially designed with tank opening locations, that provide maximum tank draw efficiency and eliminate any unnecessary piping and connections. Standard Ac-U-Temp tanks are factory jacketed and insulated (Bare tanks to be insulated by others are also available.) The Ac-U-Tanks are factory standard with the same superior glass lining that has set new standards for the tank industry. Standard tank capacities range from 80 gallons to 1,000 gallons (Custom tanks to 10,000 gallons are available).

Other Features - ASME Temperatures and Pressure Relief Valve 125# - Tank Temperature Sensor- Tank Thermometer- Isolation Valves (Reliable Ball Valves) - Superior I-Beam Skid - 125 psi Tank Construction - CI Bronze Fitted Pump.

Options - All Bronze Circulating Pump - Sequencing Control Panel (For Multi-Boiler systems) - 150 and 160 psi Tank Construction - 11" x 15" Manholes- Cement and Epoxy Tanks Linings.

Custom Ac-U-Temp Systems - All Ac-U-Temp Systems are Built to order, and can be precisely designed to specifically meet your specifications. Many combinations of boilers and tanks are available. Consult your local A.O. Smith Representative for factory assistance.

Multi-Boiler Systems - High recovery systems that can meet any hot water demand. Systems can be designed to provide 50 to 100% back-up. Boilers can be on & off fired, or sequenced to meet changing system demands. Sequenced multi-boiler systems that employ relatively small storage tanks are ideal for applications with constant, yet fluctuating hot water demands.



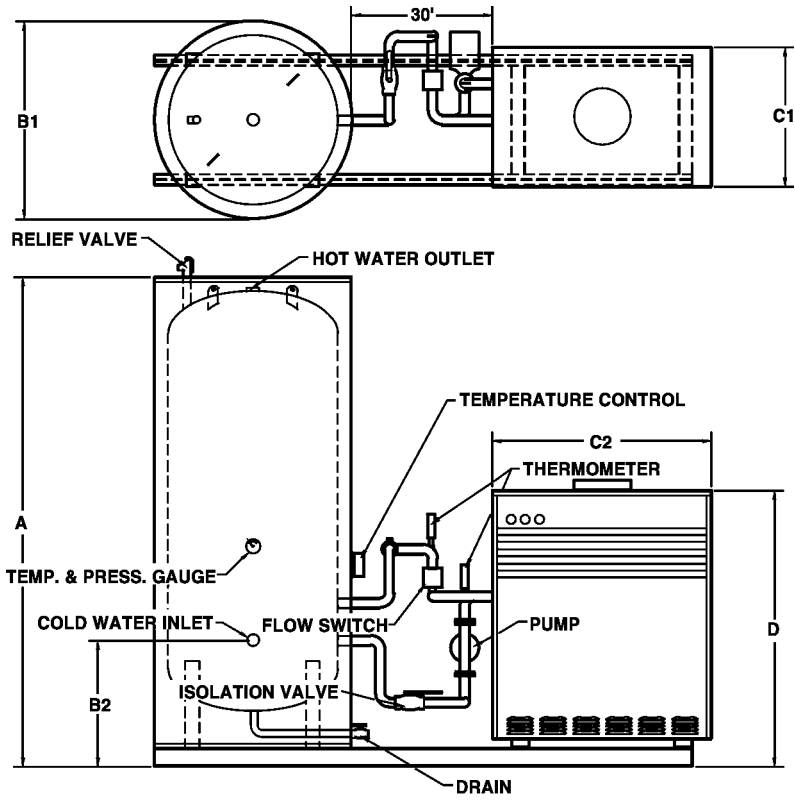
Multi-Tank Systems - For applications with low ceiling heights or unique installation challenges.

Optional Dual Energy Source Capability - Ac-U-Temp storage tanks can be specified with heat exchangers; allows winter/summer heating boiler operation. Both, water to water, or steam to water exchangers are available in both single and double wall. Complete control packages can be factory installed.

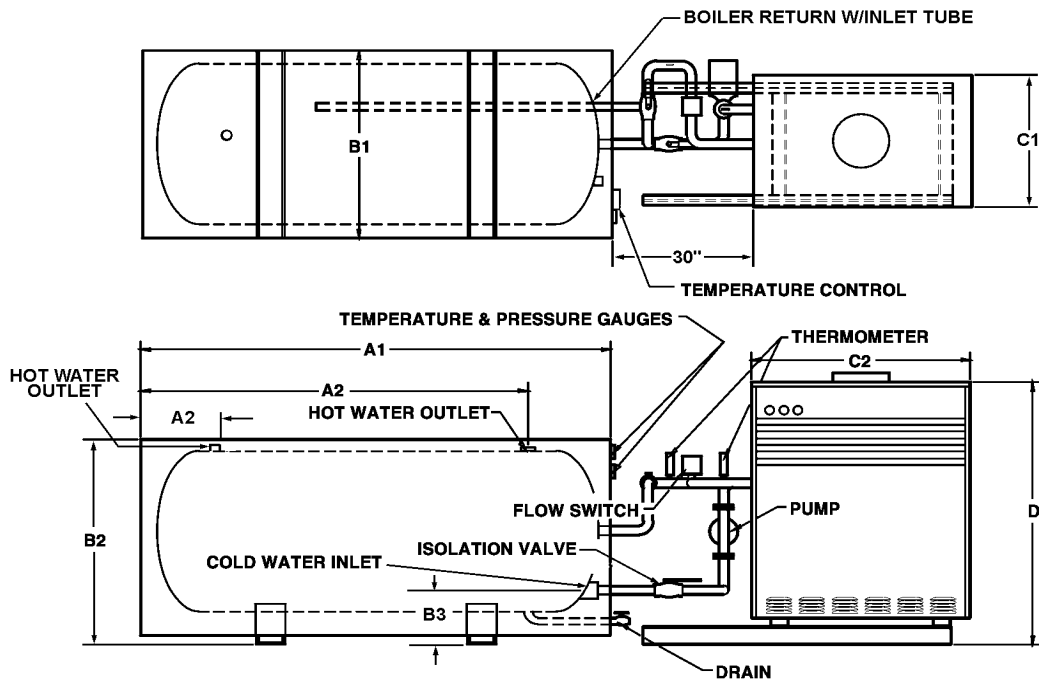
Electric Back-up - Heavy - duty electric water heater elements and controls can be specified for up to 3,000 KW; 100% electric back-up. Provides hot water even during natural gas curtailments.

LIMITED WARRANTY OUTLINE

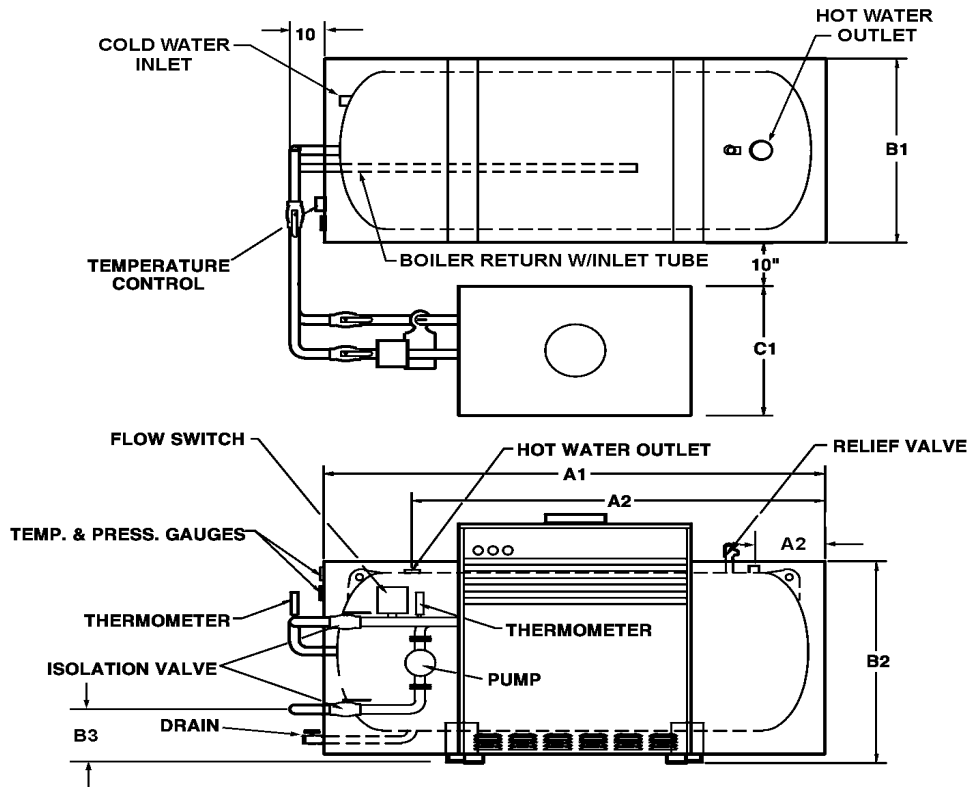
If the heat exchanger modules should fail within 5 years, under the terms of the warranty, A.O. Smith will furnish a replacement part; installation, labor, handling and local delivery extra. If the tank should leak any time during the first 5 years, under terms of the warranty, A.O. Smith will repair or replace the tank; installation, labor, handling and local delivery extra. **THIS OUTLINE IS NOT THE WARRANTY.** For complete information, consult the boiler and tank warranties or A.O Smith Water Products Company.



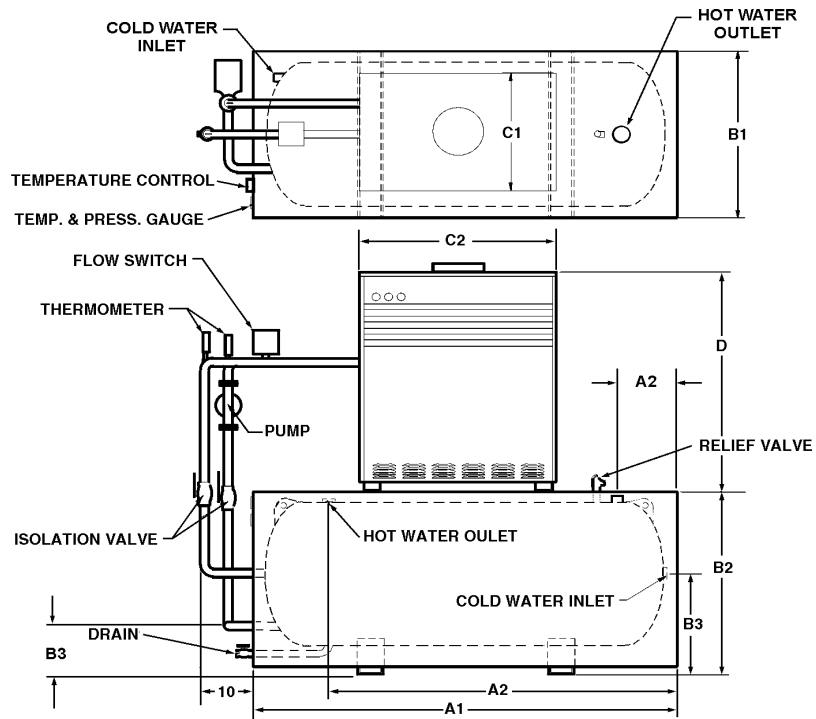
CONFIGURATION V



CONFIGURATION H



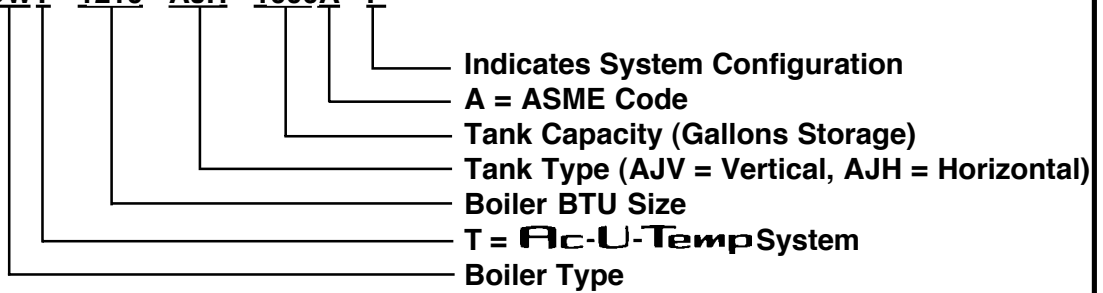
CONFIGURATION S



CONFIGURATION P

CONTACT FACTORY FOR APPROPRIATE BOILER/TANK COMBINATION

Model to Specify: **DWT - 1210 - AJH - 1000A - P**



BOILER DATA									
	DW-720	DW-840	DW-960	DW-1080	DW-1210	DW-1350	DW-1480	DW-1610	DW-1810
LENGTH (C2)	46 1/2	52 1/2	57 3/4	53	58 1/2	64 1/2	39 1/2	75	82 1/2
WIDTH (C1)	30	30	30	32 3/4	32 3/4	32 3/4	34	34	34
HEIGHT (D)	56 3/4	56 3/4	56 3/4	60	60	60	62 1/2	62 1/2	62 1/2
INLET SIZE	2	2	2	2 1/2	2 1/2	2 1/2	2 1/2	2 1/2	2 1/2
GAS INLET	1 1/4	1 1/4	1 1/4	1 1/4	1 1/2	1 1/2	1 1/2	1 1/2	1 1/2

VERTICAL VESSEL DATA											
	AJV-80	AJV-120	AJV-140	AJV-200	AJV-250	AJV-350	AJV-400	AJV-500T	AJV-500	AJV-750	AJV-1000
HEIGHT (A)	54.25	67.25	88	84	97	99	106	101	86	118	150
WIDTH (B1)	28	28	30	36	36	42	42	48	54	54	54
INLET HEIGHT (B2)	15	15	19 1/2	21	21	22 1/2	22 1/2	24	25 1/2	25 1/2	25 1/2
INLET SIZE	2	2	2 1/2	2 1/2	2 1/2	2 1/2	2 1/2	3	3	3	3
OUTLET SIZE	2	2	2 1/2	2 1/2	2 1/2	2 1/2	2 1/2	3	3	3	3

HORIZONTAL VESSEL DATA							
	AJH 200	AJH 350	AJH 400	AJHT 500	AJH 500	AJH750	AJH 1000
LENGTH (A1)	77	93	99	94	79	111	143
OUTLET DIM (A2)	18	19.5	19.5	21	22.5	22.5	22.5
WIDTH (B1)	36	42	42	48	54	54	54
HEIGHT (B2)	16	15.5	15.5	16	16.5	16.5	16.5
INLET HEIGHT (B3)	21	24	24	27	30	30	30
INLET SIZE	2 1/2	2 1/2	2 1/2	3	3	3	3
OUTLET SIZE	2 1/2	2 1/2	2 1/2	3	3	3	3

SUGGESTED SPECIFICATION

Hot Water Supply System - shall consist of A.O. SMITH Ac-U-Temp® factory assembled unit Model No. _____. System shall be completely factory assembled and shall include the A.O. SMITH copper heat exchanger type hot water supply boiler(s), with input of _____ BTU/H for _____ gas and recovery capacity of _____ gph, and the A.O. SMITH glass-lined (cement/epoxy) hot water storage tank with _____ gallons capacity for _____ mounting (vertical-horizontal). System shall include properly sized circulator, inlet and outlet thermometers, tank temperature thermometer, relief valve, and tank temperature control. Entire system shall be rigidly mounted on welded steel skid base and shipped assembled to job site (Ac-U-Temp systems employing tanks too large for shipping as an assembled unit, will be shipped with the tank mounted on a split bolt-together skid).

See Dura-Max Boiler specifications A & E Page # A 010.0.

See A.O.Smith Storage Specifications A & E Page #'s A 412.0 & A 416.0.

Hot water supply boiler(s) and storage tank(S) shall have a 5 year limited warranty against corrosion as outlined in the written warranty.

NOTE: Custom arrangement also available. Consult factory.

A.O. Smith Water Products Co., Inc. On Line
www.hotwater.com

For Technical Information and
 Automated Fax Service,
 Phone: 800-527-1953

A.O.Smith
 Water Products Company
 Ashland City, TN
 A Division of A.O. Smith Corporation

A.O. Smith Corporation reserves the right to make product changes or improvements at any time without notice.

Free Manuals Download Website

<http://myh66.com>

<http://usermanuals.us>

<http://www.somanuals.com>

<http://www.4manuals.cc>

<http://www.manual-lib.com>

<http://www.404manual.com>

<http://www.luxmanual.com>

<http://aubethermostatmanual.com>

Golf course search by state

<http://golfingnear.com>

Email search by domain

<http://emailbydomain.com>

Auto manuals search

<http://auto.somanuals.com>

TV manuals search

<http://tv.somanuals.com>