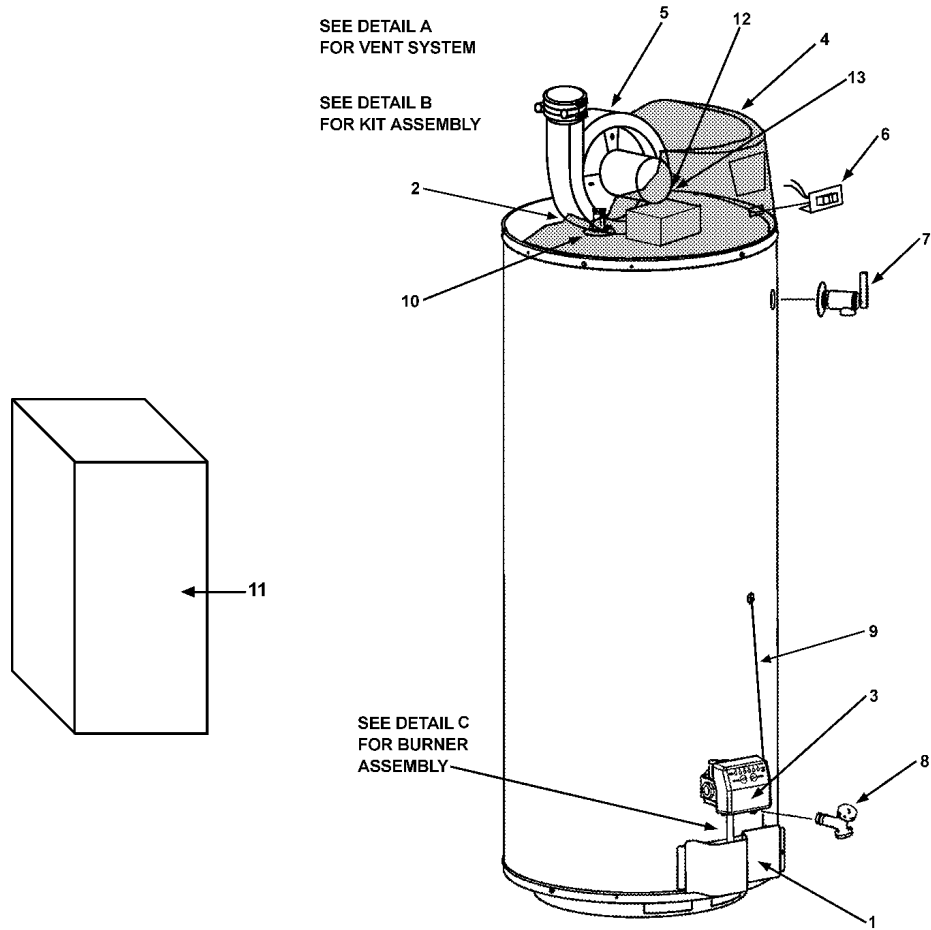


### RESIDENTIAL WATER HEATERS

### REPLACEMENT PARTS LIST

### MODELS

### AOS GPHE-50 Series 100

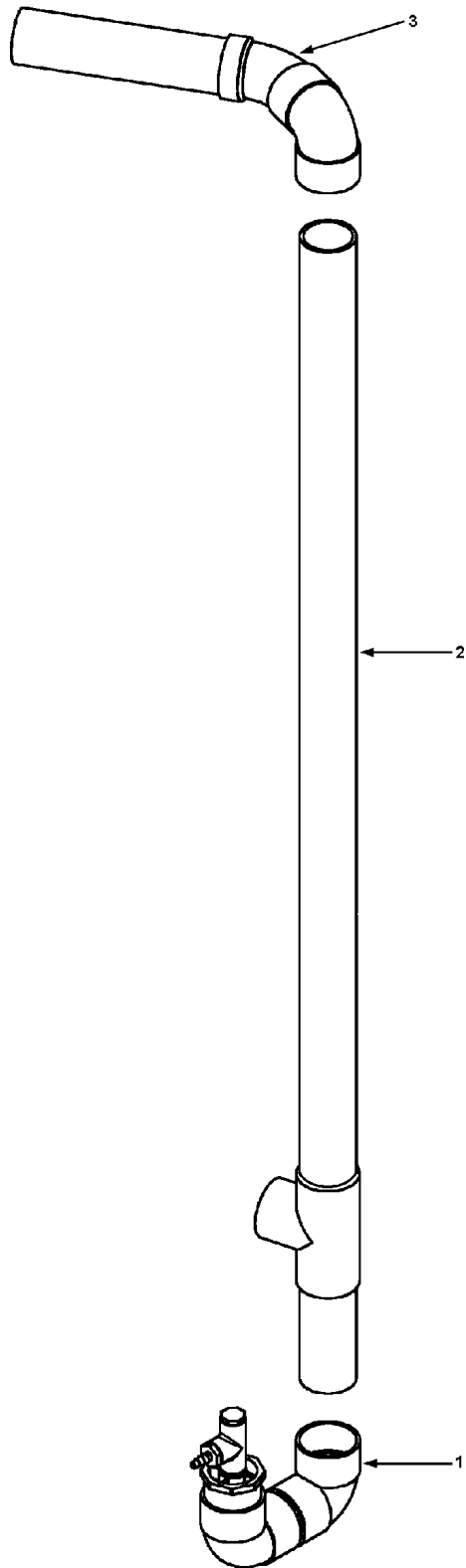


Item	Qty.	Description	Part Number
1	1	Outer Door	9003545
2	1	Aluminum Anode	9004335
3	1	Intellivent Control	9005964
4	1	Plastic Top	9005977
5	1	Blower Assembly (Standard)	9005979
5	1	Blower Assembly (High Altitude)	9006545*
6	1	Switch and Harness Assembly (Standard)	9005980
6	1	Switch and Harness Assembly (High Altitude)	9006555*
7	1	T & P Valve	9003917
8	1	Drain Valve	9003906
9	1	Wiring Harness	9005725
10	1	Aluminum Anode Outlet	9005981
11	1	Vent Attenuation Assembly Kit	9005982
12	1	Inlet Tube	9005983
13	1	2" x 3/4" NPT Nipple	9003719

\* For use at elevations above 5,300 feet.

# VENT PIPE ASSEMBLY

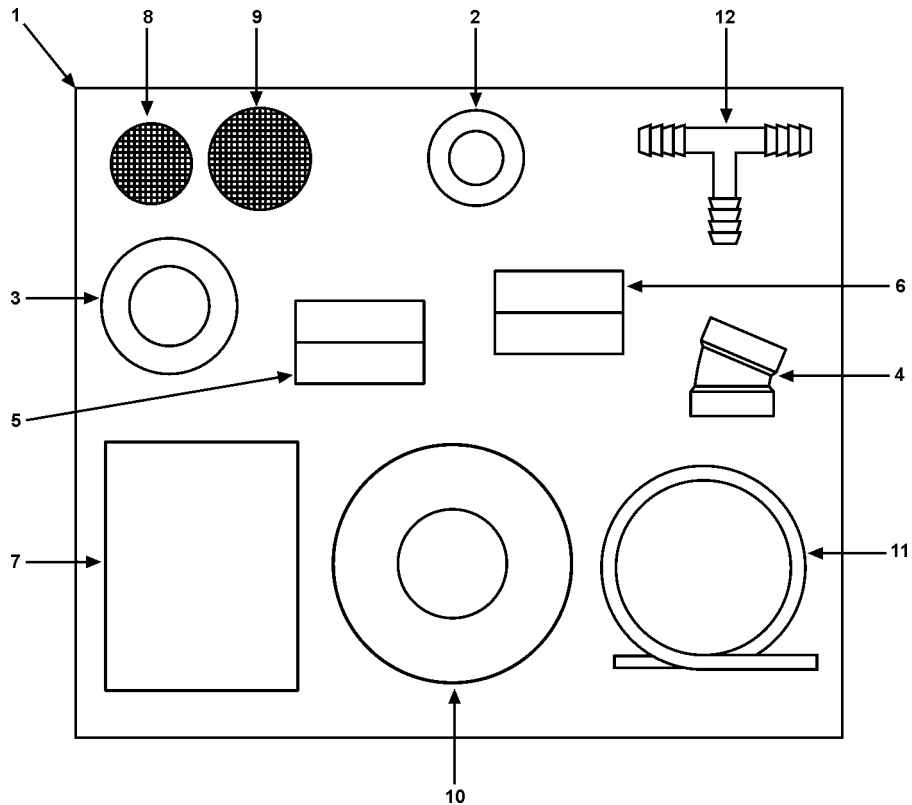
DETAIL A



Item	Qty.	Description	Part Number
1	1	Vent Pipe Assembly #1	9005984
2	1	Vent Pipe Assembly #2	9005985
3	1	Vent Pipe Assembly #3	9005986

# ENVELOPE WITH PARTS

## DETAIL B

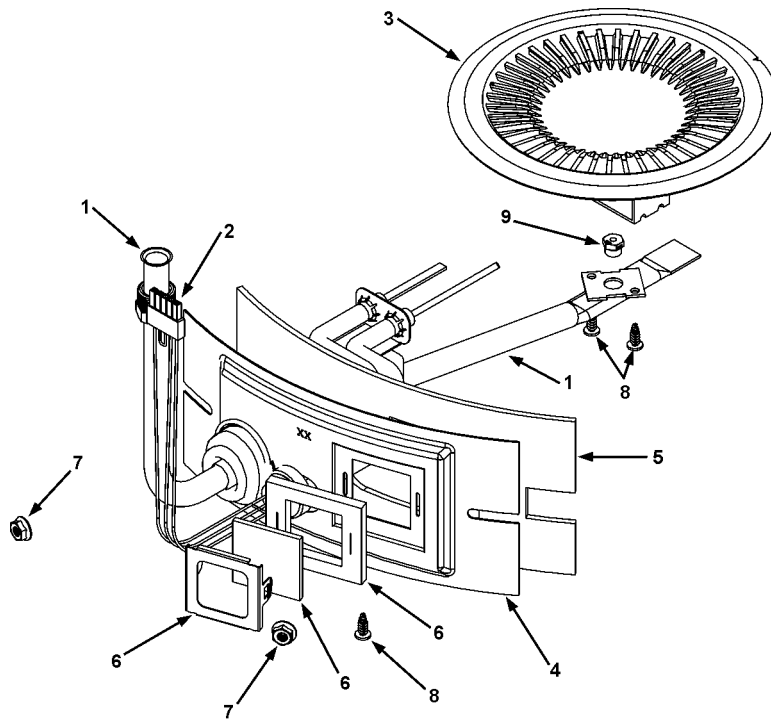


Note: Parts are not drawn to scale.

Item	Qty.	Description	Part Number
1	1	Vent Kit with All Components	9005987
2	1	Wall Plate 2"	Included in Kit
3	1	Wall Plate 3"	Included in Kit
4	1	Screen and Vent Terminal Assembly	Included in Kit
5	1	Instruction Tag-Wire Screen F/E 3"	Included in Kit
6	1	Instruction Tag-Wire Screen F/E 4"	Included in Kit
7	1	Instruction Sheet	Included in Kit
8	1	Wire Screen 3"	Included in Kit
9	1	Wire Screen 4"	Included in Kit
10	1	Wall Plate 4"	Included in Kit
11	(2) 6 ft.	Flexible Tubing	Included in Kit
12	1	Reducing Hose Barb Tee	Included in Kit

# BURNER ASSEMBLY

DETAIL C



Item	Qty.	Description	Part Number
1	1	Burner Tube Assembly	9005988
2	1	Hot Surface Ignitor	9005989
3	1	Burner Head Assembly	9005990
4	1	Embossed Inner Door	9005991
5	1	Insulation - Inner Door	9003401
6	1	Viewport Assembly	9003414
7	2	Nut - Serrated Hex Flange #10-32	Available from Local Hardware Supplier
8	3	Screw - Sheet Metal, 1/2" Long, # 8-15	Available from Local Hardware Supplier
9	1	Orifice - Burner*	9005992

**\*Note: This Burner Orifice size is only for altitudes less than 10,100'. Contact the water heater manufacturer for higher altitudes.**

## Free Manuals Download Website

<http://myh66.com>

<http://usermanuals.us>

<http://www.somanuals.com>

<http://www.4manuals.cc>

<http://www.manual-lib.com>

<http://www.404manual.com>

<http://www.luxmanual.com>

<http://aubethermostatmanual.com>

Golf course search by state

<http://golfingnear.com>

Email search by domain

<http://emailbydomain.com>

Auto manuals search

<http://auto.somanuals.com>

TV manuals search

<http://tv.somanuals.com>