

ProMax[®] DIRECT-VENT

ProMax[®] Direct-Vent Features

DIRECT-VENT DESIGN

One-pipe, dual-channel closed-combustion system draws all make-up air from outside the home, eliminating problems caused by insufficient indoor ventilation, and is FVIR compliant

Horizontal air intake and venting on all models up to 80 inches from outside wall, with no electrical power needed.

A. O. SMITH DYNACLEAN[™] DIFFUSER DIP TUBE

Helps reduce lime and sediment buildup, maximizes hot water output. Made from long-lasting PEX cross-link polymer.

GREEN CHOICE[™] GAS BURNER

Patented "eco-friendly" design reduces NOx emissions up to 33% and complies with Southern California and Texas requirements.

PUSH BUTTON PIEZO IGNITER

Makes lighting pilot fast and easy with one hand push button spark ignition.

HEAT TRAP NIPPLES Factory installed.

DURABLE TAMPER-RESISTANT BRASS DRAIN VALVE

A. O. SMITH PERMAGLAS[®] GLASS COATING

Protects steel tank from rust.

FACTORY-INSTALLED TEMPERATURE & PRESSURE (T&P) RELIEF VALVE

6-YEAR LIMITED TANK & PARTS WARRANTY

For complete information, consult written warranty or A. O. Smith Water Products Company.

CODE COMPLIANCE: UBC, CEC, SBCC, CABO, HUD, BOCA NATIONAL CODES, ASHRAE/IES 90.1-1999 AND 2004 NAECA

DESIGN-CERTIFIED BY CSA INTERNATIONAL

According to ANS Z21.10.1 standards governing storage-type water heaters.



ProMax® DIRECT-VENT

MODEL NUMBER	FIRST HOUR RATING GALLONS	ENERGY FACTOR	GAL. CAP.	BTU INPUT PER HOUR	RECOVERY 90°F RISE GALLONS PER HOUR	DIMENSIONS IN INCHES						VENT OUTLET*	APPROX. SHIPPING WEIGHT (LBS)
						A	B	C	D	E	F		
GDV-40	73	.62	40	38,000	41	68	54-3/4	22-1/4	16	12-1/4	45-1/4	Co-Axial	167
GDV-50	87	.60	50	42,000	45	76	63-3/4	22-1/4	16	12-1/4	54	Co-Axial	185
GDVT-50	88	.59	50	50,000	55	76	64-3/4	22-1/4	16-1/4	12-1/2	55-1/2	Co-Axial	187
GDV-75	131	.59	75	55,000	60	76	65-3/4	26-1/4	16-1/4	12-1/2	55-1/2	Co-Axial	310

Recovery capacities based on actual performance tests.

* Dual-channel system has 3" vent pipe inside 6" air intake pipe, for the 40 & 50 gallon models.

The 75 gallon model uses a 4" x 7" co-axial pipe.

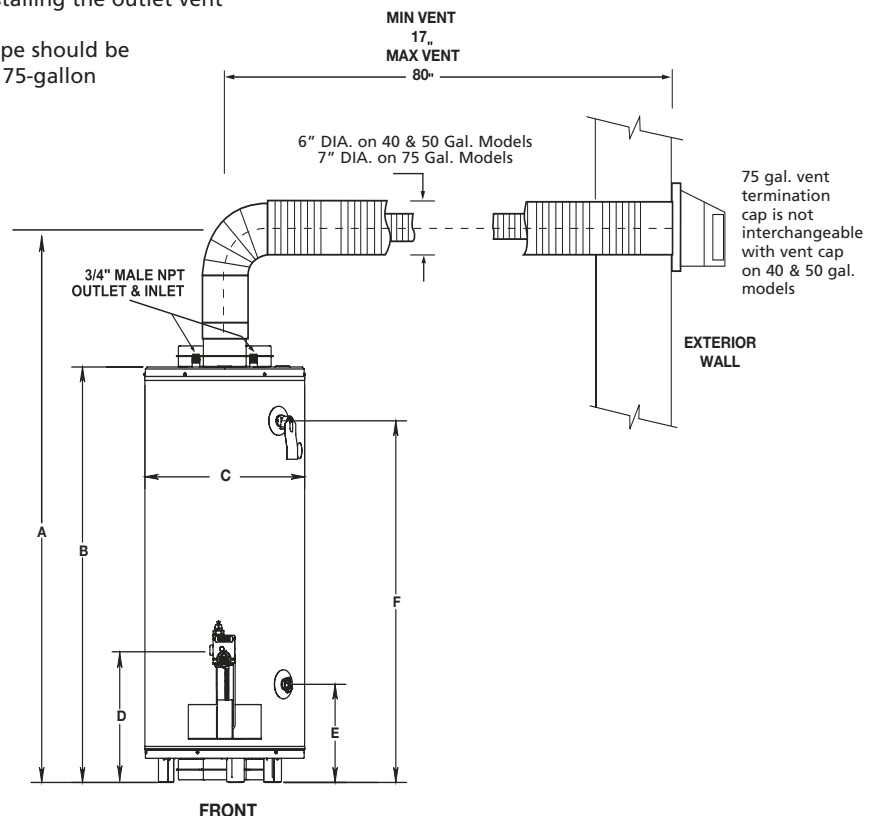
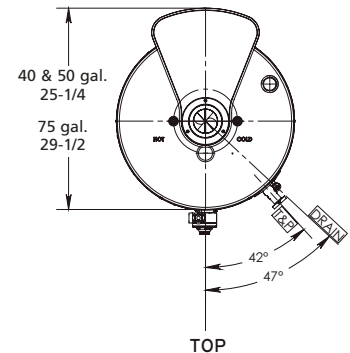
All Models Have 2" Foam Cavity.

Water connection 3/4" male all models.

75 gallon water connections are 12" on center.

Important! Vent Installation and Termination Requirements

- Maximum horizontal vent distance is 80" to outside of exterior wall.
- Minimum horizontal vent distance is 17" to outside of exterior wall.
- Vent pipes may be trimmed (cut) for short vent installations.
- For vent installation less than 30" the vent restrictor is required.
Place restrictor over the flue outlet on heater before installing the outlet vent pipe to the heater.
- Recommended installation height for the heater vent pipe should be 68" for 40 gallon models and 76" for the 50-gallon and 75-gallon models (vent height).
- Offset Vent Arrangement
 1. When replacing an existing direct vent model, the new vent pipe may drop from the minimum vent height as much as 7 1/4" to exit through the existing vent opening in the exterior wall.
 2. Vent may have one horizontal 90 degree turn before exiting through exterior wall (Do not combine both offset vent arrangements in one installation) (See examples in the installation manual)
- High Rise Vent Arrangement
 3. When vent termination is more than 80" above the base of the heater. The horizontal vent run must be a minimum of 22" from the center of the heater to the outside exterior wall surface. (See example in the installation manual)
- Vent termination clearance hole through the exterior wall should be approximately 7" diameter.
- Snow accumulation and drifting should be considered when locating the termination.
- An optional wire grill vent cap protector is available through the parts department. Part number 9006627.
- See the installation manual for complete installation and venting requirements.



Free Manuals Download Website

<http://myh66.com>

<http://usermanuals.us>

<http://www.somanuals.com>

<http://www.4manuals.cc>

<http://www.manual-lib.com>

<http://www.404manual.com>

<http://www.luxmanual.com>

<http://aubethermostatmanual.com>

Golf course search by state

<http://golfingnear.com>

Email search by domain

<http://emailbydomain.com>

Auto manuals search

<http://auto.somanuals.com>

TV manuals search

<http://tv.somanuals.com>