

### UNINSULATED STANDARD STOCK BARE STORAGE TANKS

A. O. Smith commercial hot water storage tanks are designed for use with gas/electric water heaters and boilers to provide additional hot water storage capacity for systems with large hot water draws. A. O. Smith glass-lined storage tanks are designed and recommended for systems with operating temperatures up to 180°.

#### PERMAGLAS® GLASS LINING

- All internal surfaces exposed to water are glass-lined per ASME HLW procedures, using an NSF-approved glass-lining compound
- Glass is highly resistant to effects of temperature, corrosion and electrolysis

#### SIZES FROM 80 TO 1,000 GALLONS IN STOCK

- All tanks in table on reverse side are normally carried in stock for immediate shipment, providing a fast solution for retrofit requirements

#### HORIZONTAL OR VERTICAL MOUNTING

- A. O. Smith standard stock tanks (except the T-80S, T-120S and TL-500A) are shipped factory standard with leg sockets for vertical installation, but are also designed to have the proper inlet/outlet openings that allow horizontal installation
- For horizontal installations, optional tank saddles are required (TL-500A is horizontal only)

#### T-325 ASME RETROFIT SPECIAL

- The T-325 ASME (34 x 84) is designed to provide maximum storage capacity and fit through a 36" door

#### MAGNESIUM ANODES

- For extra protection against corrosion

#### WORKING PRESSURES

- Tanks tested at pressures assigned in accordance with working pressures shown in table on reverse side

#### CUSTOM TANKS

- In order to offer storage tanks for immediate shipping, the A. O. Smith Standard Stock Tanks are offered with only those openings and features shown in the following tables
- A. O. Smith also offers a full line of custom tanks from 80 to 12,500 gallons built to meet your specifications and are available with many options such as various working pressures, lifting lugs, handholes, manholes, special linings, special openings, factory jacket/installation, and built to military specifications
- For custom tanks, please see the A. O. Smith Custom-Line HD storage tank spec sheet

**MODELS  
T-80  
THROUGH  
T-1000**



**ASME**



(OPTIONAL)

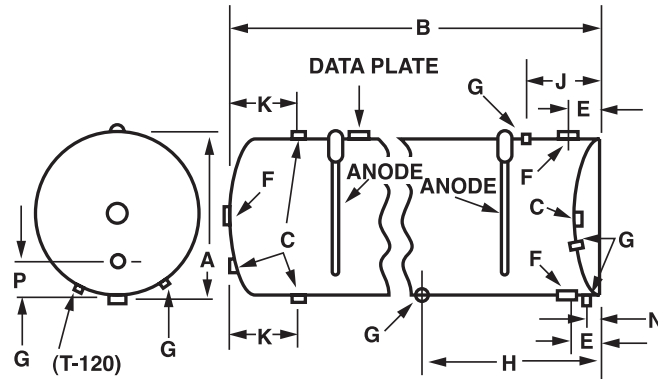
**CRN**

### OPTIONS

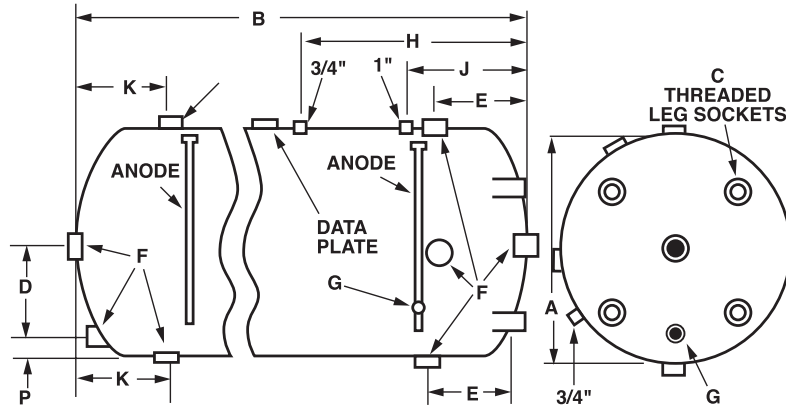
- ASME and National Board Certification sheets - furnished upon request
- Tanks saddles - two per horizontal tank required

### FIVE-YEAR LIMITED TANK WARRANTY

- For complete information, consult written warranty or contact A. O. Smith



**FIGURE 1 - T-80, T-120**  
NOTE: T-120 SHOWN.



**FIGURE 2 - T-140 THRU T-1000A**  
**TL-500 - HORIZONTAL MOUNTING ONLY.**  
**NO LEG SOCKETS.**

## DIMENSION AND SHIPPING WEIGHTS

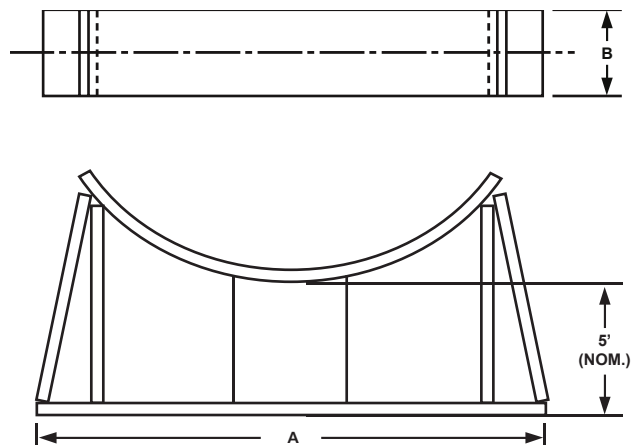
MODEL NUMBER	INCHES OR CM	OVERALL DIMENSIONS	REFER TO FIGURE	A	B	C	D	E	F	G	H	J	K	N	P	LBS OR KG	APPROX. SHIPPING WEIGHT
T-80 Std.	INCHES	20 x 62-1/8	1	20	61-1/2	2	-	7	2	3/4	46-1/4	16	3-1/2	3-1/4	4	Lbs	170
	CM	50.8 x 157.8		50.8	156.2	5.1	-	17.8	5.1	1.9	117.5	40.6	8.9	8.3	10.2	Kg	77.3
T-120 Std.	INCHES	24-1/4 x 65	1	24-1/4	64-3/8	2-1/2	-	-	-	3/4	34-1/2	15-1/2	10-1/2	3-1/2	4-1/8	Lbs	287
	CM	61.6 x 165.1		61.6	163.5	6.4	-	-	-	1.9	87.6	39.4	26.7	8.9	10.5	Kg	130.5
T-140 ASME	INCHES	24 x 76-1/4	2	24	75	2-1/2	8	10-1/2	2	3/4	26	17	10-1/2	-	4	Lbs	400
	CM	61.0 x 193.7		61.0	190.5	6.4	20.3	26.7	5.1	1.9	66.0	43.2	26.7	-	10.2	Kg	181.5
T-200 Std.	INCHES	30 x 72	2	30	70-3/4	2-1/2	11	13	2-1/2	3/4	28-1/2	19-1/2	13	-	4	Lbs	460
	CM	76.2 x 182.9		76.2	179.7	6.4	27.9	33.0	6.4	1.9	72.4	49.5	33.0	-	10.2	Kg	209.1
T-200 ASME	INCHES	30 x 72	2	30	70-3/4	2-1/2	11	13	2-1/2	3/4	28-1/2	19-1/2	13	-	4	Lbs	460
	CM	76.2 x 182.9		76.2	179.7	6.4	27.9	33.0	6.4	1.9	72.4	49.5	33.0	-	10.2	Kg	209.1
T-250 ASME	INCHES	30 x 84	2	30	84	2-1/2	10	13	2-1/2	3/4	28-1/2	19-1/2	13	-	4	Lbs	505
	CM	76.2 x 213.4		76.2	213.4	6.4	25.4	33.0	6.4	1.9	72.4	49.5	33.0	-	10.2	Kg	229.5
T-325 ASME	INCHES	34 x 84	2	34	84	2-1/2	12	13-1/4	2-1/2	3/4	28-3/4	19-3/4	13-3/4	-	5	Lbs	600
	CM	86.4 x 213.4		86.4	213.4	6.4	30.5	33.7	6.4	1.9	73.0	50.2	34.9	-	12.7	Kg	272.7
T-350 Std.	INCHES	36 x 88	2	36	86	2-1/2	13-3/8	14-1/2	2-1/2	3/4	30	21	14-1/2	-	4-5/8	Lbs	670
	CM	91.4 x 223.5		91.4	218.4	6.4	34.0	36.8	6.4	1.9	76.2	53.3	36.8	-	11.7	Kg	304.5
T-350 ASME	INCHES	36 x 88	2	36	86	2-1/2	13-3/8	14-1/2	2-1/2	3/4	30	21	14-1/2	-	4-5/8	Lbs	670
	CM	91.4 x 223.5		91.4	218.4	6.4	34.0	36.8	6.4	1.9	76.2	53.3	36.8	-	11.7	Kg	304.5
T-400 ASME	INCHES	36 x 97	2	36	96	2-1/2	13-3/8	14-1/2	3	3/4	30	21	14-1/2	-	4-5/8	Lbs	775
	CM	91.4 x 246.4		91.4	243.8	6.4	34.0	36.8	7.6	1.9	76.2	53.3	36.8	-	11.7	Kg	352.3
TL-500 ASME	INCHES	36 x 122	2	36	120-3/8	2-1/2	11	16-1/4	3	3/4	31-3/4	22-3/4	16-1/4	-	7	Lbs	950
	CM	91.4 x 309.9		91.4	305.8	6.4	27.9	41.3	7.6	1.9	80.6	57.8	41.3	-	17.8	Kg	431.8
TN-500 ASME	INCHES	42 x 89	2	42	88	3	16	18	3	3/4	33-1/2	24-1/2	18	-	5	Lbs	815
	CM	106.7 x 226.1		106.7	223.5	7.6	40.6	45.7	7.6	1.9	85.1	62.2	45.7	-	12.7	Kg	370.5
T-500 ASME	INCHES	48 x 74	2	48	72-3/4	3	18	19-3/4	3	3/4	32-3/4	36-3/4	19-3/4	-	6	Lbs	950
	CM	121.9 x 188.0		121.9	184.8	7.6	45.7	50.2	7.6	1.9	83.2	93.3	50.2	-	15.2	Kg	431.8
T-750 ASME	INCHES	48 x 106	2	48	105	3	18	19-3/4	3	3/4	32-3/4	26-3/4	19-3/4	-	6	Lbs	1290
	CM	121.9 x 269.2		121.9	266.7	7.6	45.7	50.2	7.6	1.9	83.2	67.9	50.2	-	15.2	Kg	586.4
T-1000 ASME	INCHES	48 x 138	2	48	136	3	18	19-3/4	3	3/4	32-3/4	26-3/4	19-3/4	-	6	Lbs	1655
	CM	121.9 x 350.5		121.9	345.4	7.6	45.7	50.2	7.6	1.9	83.2	67.9	50.2	-	15.2	Kg	752.3

Working pressure for Std. models T-80, T-120 and T-200: 150 psi  
 Working pressure for ASME models T-140 and T-200 through T-1000: 125 psi

## OPTIONAL TANK SADDLES FOR HORIZONTAL TANK INSTALLATIONS

### HORIZONTAL TANK SADDLES

PART NUMBER	INCHES OR CM	TANK DIAMETER	A	B
9500007145	INCHES	20	22	6
	CM	50.8	55.9	15.2
9500007146	INCHES	24	26	6
	CM	61.0	66.0	15.2
9500007147	INCHES	30	32	6
	CM	76.2	81.3	15.2
9500009136	INCHES	34	36	6
	CM	86.4	91.4	15.2
9500007149	INCHES	36	38	6
	CM	91.4	96.5	15.2
9500007150	INCHES	42	44	6
	CM	106.7	111.8	15.2
9500007152	INCHES	48	50	6
	CM	121.9	127.0	15.2



## UNINSULATED STANDARD STOCK BARE STORAGE TANKS

### SUGGESTED SPECIFICATION

Glass-lined storage tank(s) shall be A. O. SMITH glass-lined storage tank(s) or equal. Tank(s) shall be \_" x \_" and have a nominal capacity of \_ gallons. Tank(s) shall have threaded openings as shown on drawings. Exterior of tank(s) shall be thoroughly cleaned and painted. Interior of tank(s) shall be glass-lined with an alkaline borosili-cate composition which has been fused to the steel base by firing at a temperature of 1600°F. All internal surfaces exposed to water are glass-lined per ASME HLW code procedures using an NSF- approved glass-lining compound. Cathodic protection shall be provided. The Storage Tank(s) shall have a working pressure of \_\_\_psi. The Storage Tank shall have a five-year limited warranty as outlined in the written warranty.

For Technical Information and Automated Fax Service, call 800-527-1953. A.O. Smith Corporation reserves the right to make product changes or improvements without prior notice.

## Free Manuals Download Website

<http://myh66.com>

<http://usermanuals.us>

<http://www.somanuals.com>

<http://www.4manuals.cc>

<http://www.manual-lib.com>

<http://www.404manual.com>

<http://www.luxmanual.com>

<http://aubethermostatmanual.com>

Golf course search by state

<http://golfingnear.com>

Email search by domain

<http://emailbydomain.com>

Auto manuals search

<http://auto.somanuals.com>

TV manuals search

<http://tv.somanuals.com>