

MODELS

**BFM 30
BFM 50
BFM 80**

INSTALLATION INSTRUCTIONS AND USERS MANUAL

UNITED KINGDOM

CLOSED COMBUSTION WATER HEATER

INTRODUCTION

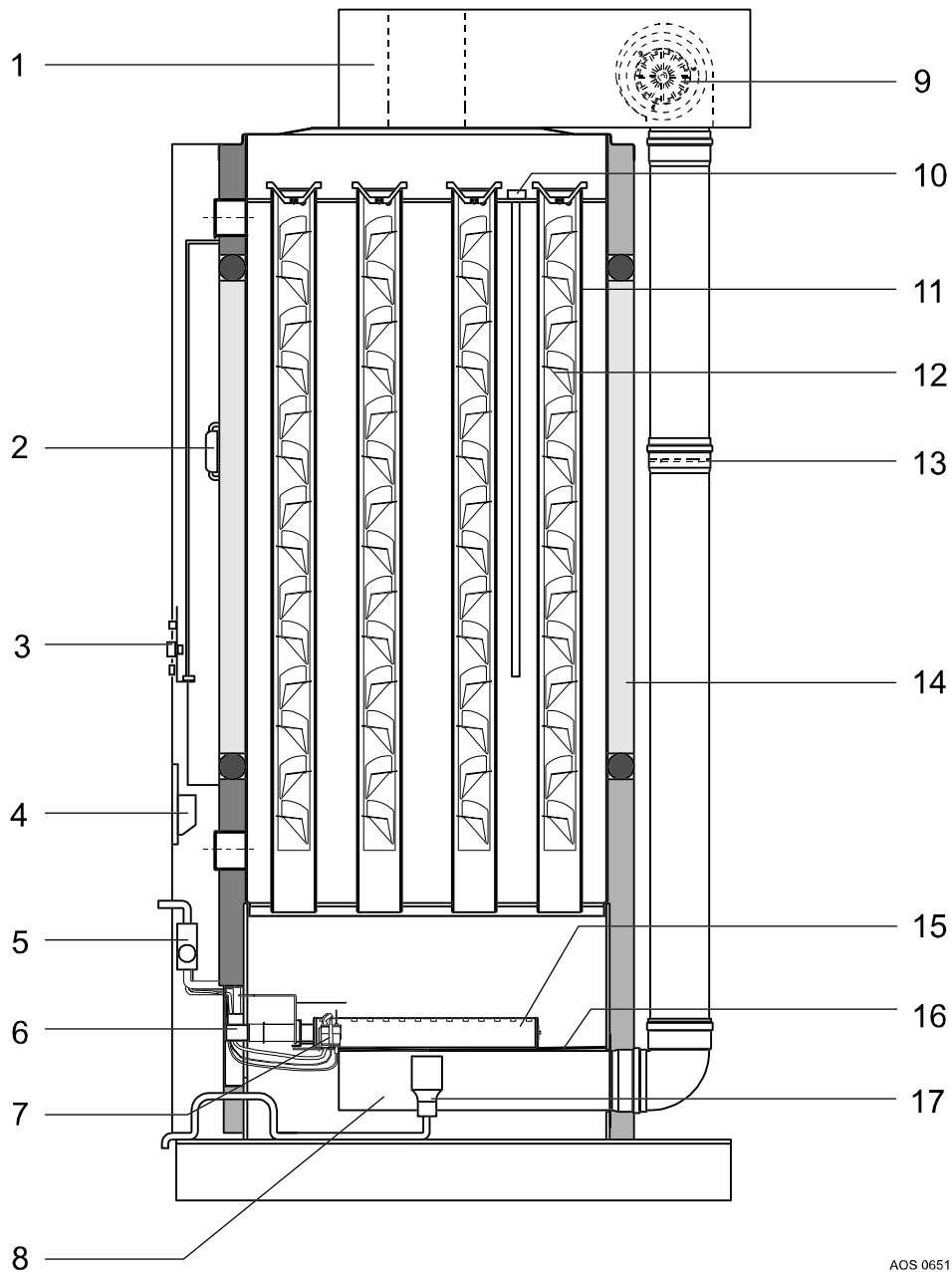
Read the installation instructions before installing the water heater. Read the user-instructions before lighting the water heater. If these instructions are not followed carefully, this may lead to explosion and/or fire and can cause material damages and/or physical harm.

Installation and commissioning should be carried out by a registered installer. The type of gas and standard values which the water heater (from factory) is set on, are stated on the type plate.

The **BFM-models** fall under the instrument category; C13/C33. These water heaters are provided with an ignition system.

A. O. SMITH DOES NOT ACCEPT ANY RESPONSIBILITY FOR GUARANTEE, SERVICE PROVISION AND/OR PRODUCT LIABILITY IN CASE OF UNAUTHORISED PRODUCT MODIFICATION OR REPAIRS.

1.	GENERAL	
1.1	Water heater description	5
1.2	Technical safety equipment	6
1.2.1	Gas control	6
1.2.2	Control box	6
1.2.3	Burner automat	6
1.2.4	Air proving switch	6
1.2.5	Gas control valve	6
1.3	Technical description	8
1.3.1	Measurements	8
1.3.2	Technical data	10
2.	FOR THE INSTALLER	
2.1	Installation instructions	11
2.1.1	Installation	11
2.1.2	Water connection	11
2.1.3	Condensation drain	14
2.1.4	Gas connection	14
2.1.5	Flue connection (concentric)	14
2.1.6	Electrical connection	16
2.2	Turning the water heater on	19
2.2.1	Filling the water heater	19
2.2.2	Turning the water heater on	19
2.2.3	Setting up the pilot flame	19
2.3	Turning the water heater off	19
2.4	Usage/temperature control	19
2.5	Checking the gas pressures	20
2.6	Conversion to another gas	21
2.7	Maintenance	22
2.8	Anode	22
2.9	Descale procedure	22
2.10	Condensation	23
2.11	Spare parts	23
3.	FOR THE USER	
3.1	Instructions for use	24
3.1.1	Warning	24
3.1.2	Filling the water heater	24
3.1.3	Turning the water heater on	24
3.2	Usage	24
3.3	Turning the water heater off	24
3.4	Maintenance	24
4.	FAULT FINDING AND CORRECTION	
4.1	Fault finding userl	25
4.2	Fault finding installer	26
4.3	Detailed fault finding installer	27
5.	WARRANTY	
5.1	Guarantee in general	31
5.2	Guarantee of the tank	31
5.3	Conditions for installation and use	31
5.4	Exclusions	31
5.5	Range of the guarantee	31
5.6	Claims	31
5.7	No other guarantee or warranty either expressed or implied is made on behalf of A.O. Smith Water Products Company	31



AOS 0651

Figure 1

- | | |
|---|-------------------------|
| 1) TOP-BOX | 9) VENTILATION FAN |
| 2) AIR PROVING SWITCH | 10) ANODE |
| 3) TEMPERATURE REGULATOR
ON/OFF SWITCH
RESET-KNOB | 11) FLUE TUBES |
| 4) BURNER CONTROLLER | 12) FLUE BAFFLE |
| 5) GAS VALVE | 13) DIAPHRAGM |
| 6) MANIFOLD/INJECTORS | 14) INSULATION |
| 7) PILOT BURNER | 15) BURNER |
| 8) HORIZONTAL AIR INLET | 16) AIR DIFFUSION PLATE |
| | 17) CONDENSATE DRAIN |

1. GENERAL

1.1 Description of the appliance

Construction and fitting out of the storage appliance comply with the European Standard for gas fired hot water storage appliances for sanitary use (EN89). The appliance thereby satisfies the requirements of the European Directive for Gas Appliances, and is therefore entitled to bear the CE mark.

The BFM appliance is an enclosed appliance with a fan in the air inlet (appliance category C₁₃ or C₃₃). The appliance is designed for a concentric flue configuration. A diaphragm, across which the pressure difference can be measured, is fitted in the air inlet system. When the control thermostat calls for heat, the burner control unit carries out a zero position check. The fan is subsequently switched on and, at a signal from the pressure difference switch, the pre-ventilation period (minimally 30 seconds) commences. Following the pre-ventilation period the burner control unit switches on the ignition transformer whereby the first gas valve (the pilot) opens. On receiving an ionisation signal from the ignition burner, the second (main burner) gas valve opens. The appliance is now in operation.

Technically this appliance falls into gas category H_{2L3P}; the appliance is therefore suitable for natural gas as well as propane and butane gases. The storage appliance is suitable for working pressures to 8 bar. A connection is provided for the optional fitting of an extra safety feature, the temperature and pressure valve. The interior of the tank is enamelled for corrosion protection, and a number of magnesium anodes are fitted to the tank for the same purpose.

A thick polyurethane insulating layer between the tank and its steel casing prevents unnecessary heat loss. If the storage appliance is completely filled with water it is under continual mains pressure. When hot water is tapped off the appliance, cold water is immediately introduced. Turbulence strips are placed in the fire tubes for the efficient transfer of heat. The flue gases pass their heat to the water by conduction and radiation. The flue gases are led to the flue via the top box. The burner bed consists of a number of bar burners. An injector is screwed into the manifold ahead of each burner, which ensures correct mixing of gas and primary air through injection into the burner inlet venturi. Secondary air is drawn between the bar burners. An air distribution plate, which also functions as a radiant heat shield, is fitted below the burners. Any condensation water produced is captured beneath the combustion chamber and led away via a siphon (see illustration 1).

1.2 Technical safety equipment

1.2.1 Gas control

The water heaters are equipped with a gas control valve which regulates the flow of gas to the burner. The combination gas control is equipped with a safety valve, gas control valve, pilot safety valve and burner control (on a standard natural gas setting)

1.2.2 Control box

For safety purposes, water heaters are always fitted with three thermostats: a control thermostat, a high-limit thermostat and an overheat thermostat.

The desired water temperature is set with the control thermostat. To protect against freezing, the control thermostat is also fitted with frost protection which ignites the burner when the water temperature drops to 20°C, irrespective of the thermostat's temperature setting. The overheat thermostat prevents the water reaching too high a temperature.

Should both control and high-limit thermostats malfunction, the overheat thermostat will automatically shut down the water heater.

The control thermostat can be set at settings 1-4 (approx. 40°C to 73°C). The frost protection ignites the burner if the water temperature drops below 20°C. The switch temperature of the high-limit thermostat is 84°C; the overheat thermostat cuts in at 93°C. The sensor for the control/frost thermostat is located at the level of the control switch; the sensors for the high-limit and overheat thermostats are located near the top of the water heater.

The control box is fitted with an ON/OFF switch (I/O). At setting I, the gas control operates on the basis of heat demand from the control thermostat. At setting 0 the water heater is switched off. The burner will only ignite on the basis of heat demand from the frost protection.

When the control thermostat calls for heat, the water heater checks all controls are in the off position. Power is then switched to the ventilation fan. Immediately the air pressure switch opens. The purge cycle starts. This runs for between 30 and 60 seconds after which the safety valve opens and the spark generator is operated.

Gas flows to the pilot burner where it is ignited by the spark generator. The ionization probe now detects the flame, switches off power to the spark generator and opens the main gas valve. A softlite staged ignition control prevents explosive ignition by allowing a small percentage of total gas rate into the combustion chamber initially followed by the full rate when combustion is established. When the water temperature reaches the set point the water heater is turned off.

If the flame extinguishes whilst in operation both the safety (pilot) valve and the gas valve will close immediately. If the control thermostat is still calling for heat the burner automation will repeat the ignition procedure.

- If no flame is detected within the safety time of 50 seconds, the burner automation will interlock and the reset knob will light up.
- As long as the air proving switch does not operate (remains closed), the burner automation will remain in the waiting position, while the ventilation fan

continues to work.

- An interlocking of the burner automation can be cancelled out by pressing the reset knob. If the procedure does not succeed immediately, wait at least 15 seconds before pressing the interlocking knob again.

If the flame detection falls out during normal operation, the burner automation will automatically repeat its ignition procedure. As long as a flame is detected within the safety period of 50 seconds, the automation will continue to repeat the ignition procedure.

As soon as the water temperature has reached the set value, the burner automation will close the gas valves.

The control column has a potential-free contact for external error message.

1.2.3. Ventilation fan

The ventilation fan is installed in the top-box. When heat is required the ventilation fan is switched on by the burner automation. The fan switches off when the main burner has extinguished. The fan can be removed from the top box via the access panel.

1.2.4 Air proving switch

The air proving switch ensures that there is sufficient air flow for the safe operation of the water heater. If the airflow falls below the preset value this will be detected by the air proving switch and the gas supply to both the ignition and main burners will be closed. The air proving switch is preset and cannot be adjusted.

Air proving switches BFM-units

Unit	Pstart (Pa)	Poff (Pa)
BFM 30	250	220
BFM 50	250	220
BFM 80	230	205

The air proving switch must always be fitted with the connection points downwards!

The air pressure differential switch must always be fitted with the connection points at the bottom, while the pipe with the letter H must be connected to the point P1. Pipe L goes to connection P2.

1.2.5 Gas control

The water heaters are provided with a gas valve that regulates the gas supply to the burners.

The gas control has a safety valve and a gas valve and hence has a B/D-configuration. The position of both valves can be regulated by the burner automation. To ensure improved ignition the gas control valve opening mechanism is fitted with a delay (softlite).

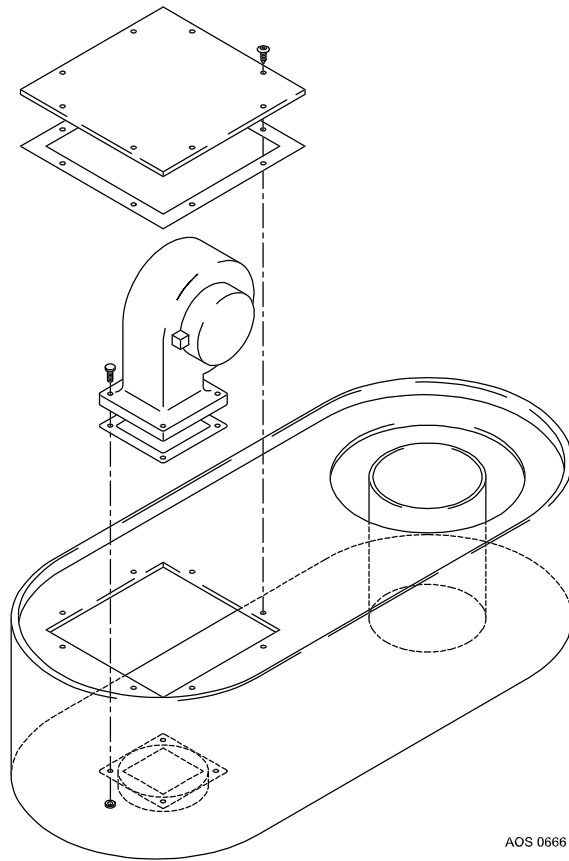


Figure 2 - Positioning ventilation

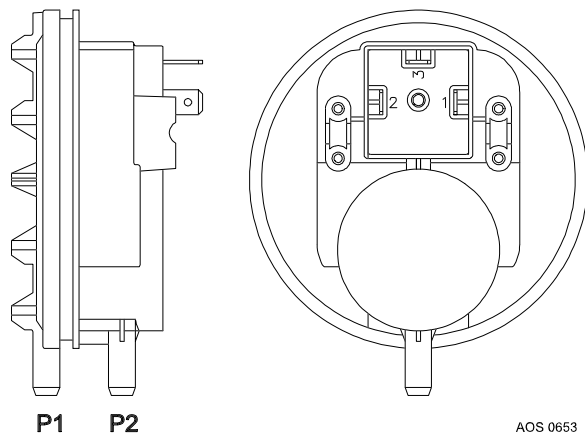


Figure 3 - Differential pressure switch

1.3 Technical description

1.3.1 Measurements

See figure 4

Size	BFM 30	BFM 50	BFM 80
A	1995	1995	2020
B	1795	1795	1820
C	600	600	600
D	520	520	525
E	600	600	590
F	1640	1640	1655
G	1360	1360	1360
H	630	630	625
K	710	710	710
L	1000	1000	1000
M	755	755	755
N	80/125	100/150	130/200
1	Cold water inlet RP 1½		
2	Hot water outlet RP 1½		
3	Gas valve RP ¾		
4	Drain valve ¾"-14 NPT		
5	T&P-connection (temperature- and pressure valve) 1"-14 NPT		

All dimensions in mm, rounded up to the nearest 5 mm.

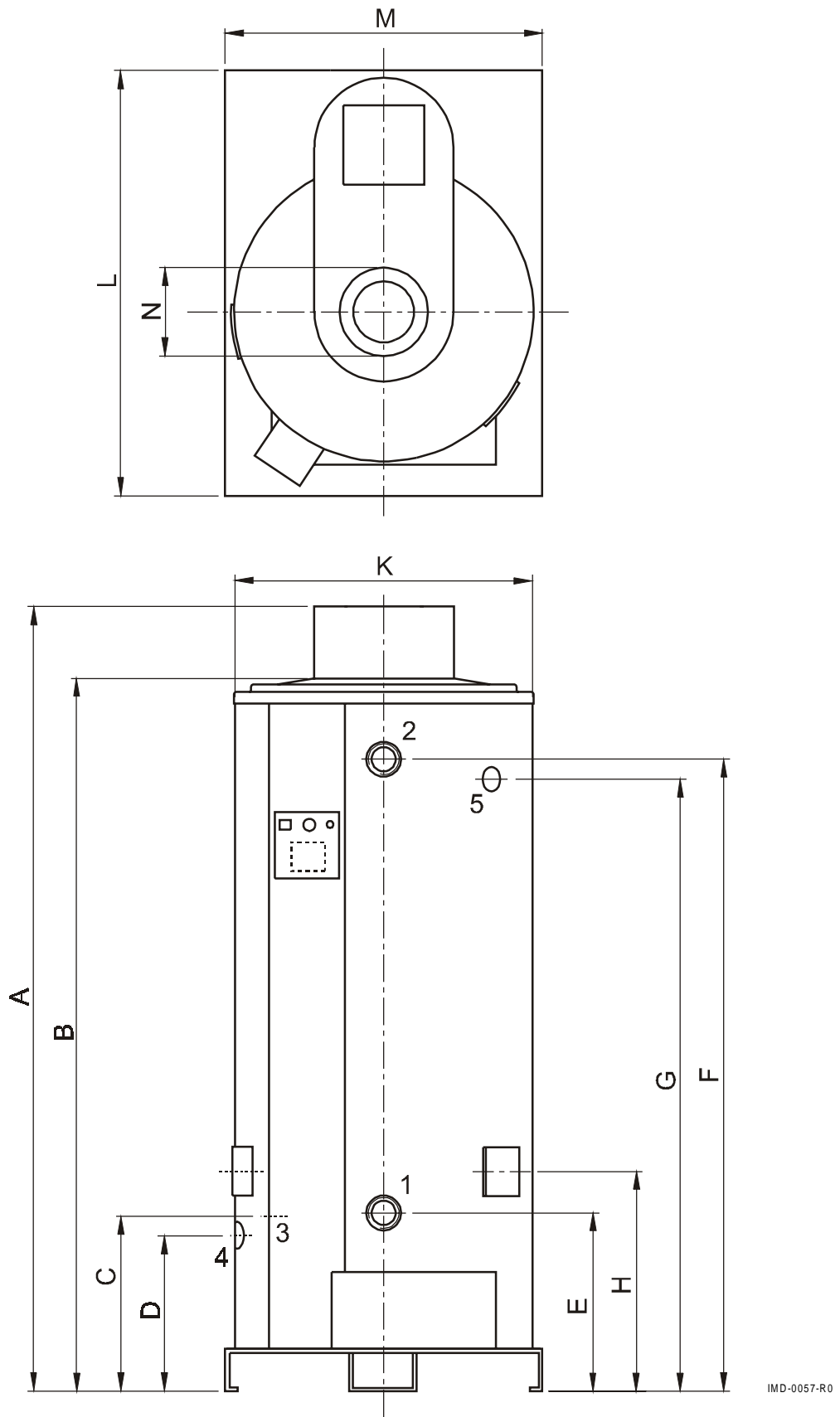


Figure 4

1.3.2 Technical data

Heater category:II_{2H3+}

Description	Unit	BFM 30		BFM 50		BFM 80	
DATA NATURAL GAS G 20							
Nominal gas inlet pressure	mbar	20		20		20	
Burner pressure	mbar	12.5		12.5		12.5	
Input	kW	29		47		75	
Output to water	kW	27		42		68	
Gas consumption*	m ³ /h	3.0		4.7		7.9	
Diameter main injector	m m	2.60		2.50		2.70	
Diameter injector ignition burner	m m	0.56 / 0.41		0.56 / 0.41		0.56 / 0.41	
Heating time ΔT=45°C	min	35		25		12	
DATA PROPANE/BUTANE G 30 - G 31							
Nominal gas inlet pressure	mbar	G30	G31	G30	G31	G30	G31
Input	kW	30	37	30	37	30	37
Gas consumption	kg/h	29	28	46	44	75	71
Diameter main injector	m m	2.3	2.1	3.6	3.3	5.8	5.3
Diameter injector ignition burner	m m	1.45		1.40		1.50	
		0.25		0.25		0.25	
GENERAL							
Storage capacity	litre	309		298		253	
Number of bar burners	-	3		5		7	
Number of anodes	-	2		2		4	
Number of flue tubes	-	5		7		16	
Water connections	-	Rp11/2		Rp11/2		Rp11/2	
Gas connection	-	Rp3/4		Rp3/4		Rp3/4	
Drain connection	-	3/4" - 14 NPT		3/4" - 14 NPT		3/4" - 14 NPT	
Anode	-	3/4" - 14 NPT		3/4" - 14 NPT		3/4" - 14 NPT	
Connection T&P-plug**	-	1" - 14 NPT		1" - 14 NPT		1" - 14 NPT	
Maximum working heat	bar	8		8		8	
Empty weight	kg	270		290		350	

* Gas usage at 1013,25 mbar and 15 °C.

** For a leak-tight connection European coupling pieces with pipe screw-thread according to ISO 228/1 or ISO 7/1 can be used on the NPT-connection nipples.

2. FOR THE INSTALLER

If possible, use a trolley or fork-lift truck to move the water heater. Always move the water heater in an upright position.

2.1 Installation instructions

The following distances should be observed:

- Sides of the water heater: 100 cm
(free space for the accessibility of the hand holes)
- Rear of the water heater: 15 cm
- Around top-box and concentric pipe: 15 cm
- Front of the water heater: 100 cm
(free space to take out bar burners)

2.1.1 Installation

Installation should be carried out in accordance with all local authority and building regulations, local water authority and fire regulations and the following British standards: British Gas Publication UP1 and UP2.

BS 5482 part 1 1979

part 2 1979

part 3 1979

BS 6644

BS 6700

BS 6798

2.1.2 Water connections

A.O. Smith water heaters are suitable for connection to vented, unvented and pumped pressurised systems. In each case appropriate valves and fittings should be used to ensure the system complies with the requirements of the water by laws, and appropriate building regulations.

When fitting it is essential the rules of 'good practice' are applied at all stages of installation.

Vented systems

If the water heater is to be connected to a cold feed tank or cistern the hot water supply pipe must include an open vent which discharges over the cold feed cistern. The cold feed cistern must have an actual capacity of greater volume than the hourly recovery rate of the water heater(s) which it supplies. The minimum actual capacity is 50 gallons or 227 litres. See diagram 5.

A.O. Smith water heaters are tested to a maximum pressure of 12 bar and a maximum working pressure of 8 bar.

Dead legs on a hot water installation are undesirable. Where possible they should be avoided. Where the inclusion on the system of a dead leg is unavoidable the following restrictions should be applied:

- for pipes not exceeding 19 mm. inside diameter; maximum length of dead leg permitted 12.0 metres;
- for pipes exceeding 19 mm. but not exceeding 25 mm. inside diameter; maximum length of dead leg 7.5 metres;
- for pipes with an inside diameter exceeding 25 mm. maximum dead leg 3.0 metres.

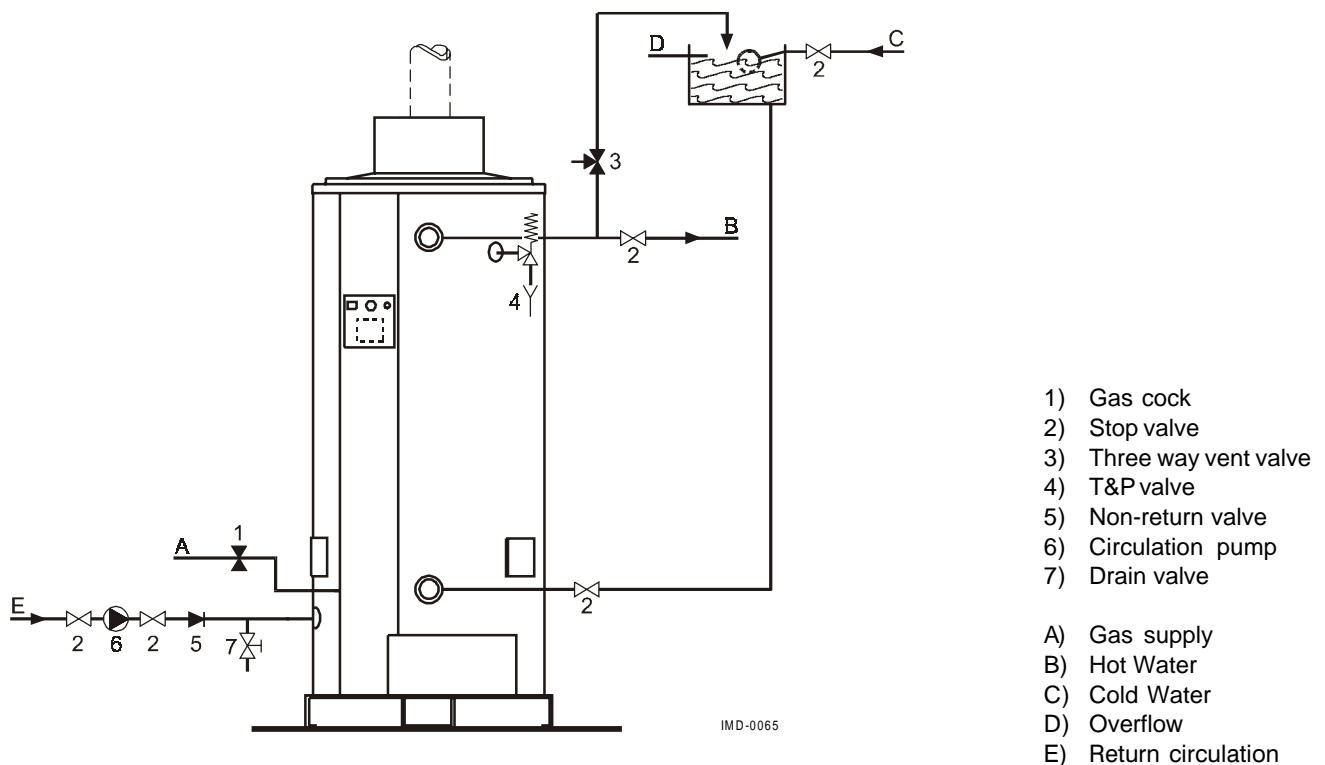
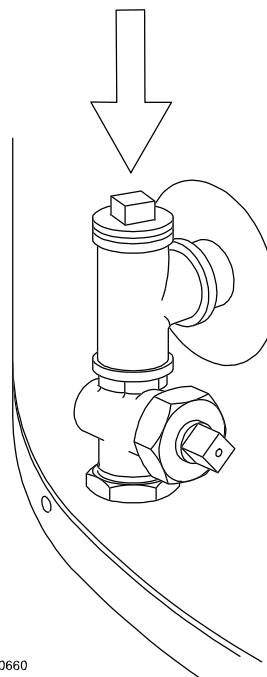


Diagram 5 - Typical UK vented system

Depending on the length and insulation of the water piping and the water demand frequency, it may be necessary to install a circulation system on the drain cock. The return pipe of the circulation piping can be fitted on the top of the drain cock after the sealing plug has been removed (see figure 6).

Unvented

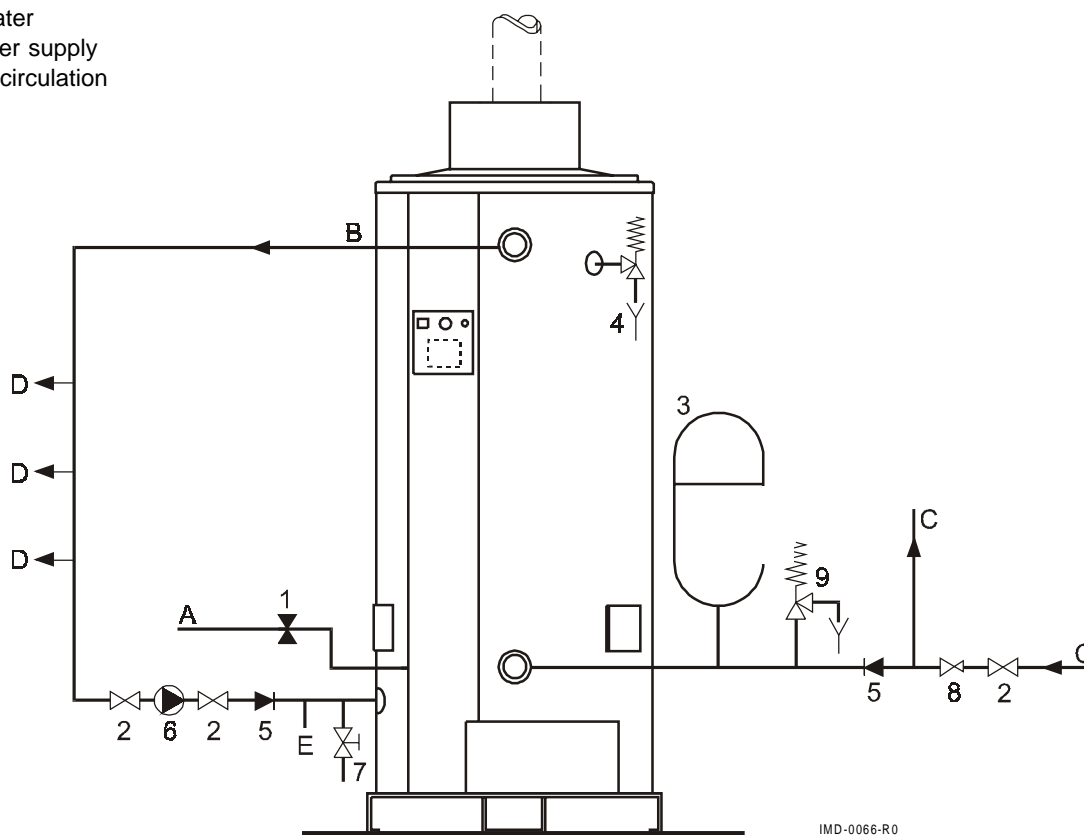
To install an A.O. Smith water heater on an unvented cold water supply system a kit of valves and fittings listed by the water research centre and complying with part G3 of the current building regulations and BS 7206 should be used. Installation should be carried out generally as shown on diagram 7. Kits are available from A.O. Smith or our distributors.



AOS 0660

Figure 6

- 1) Gas cock
 - 2) Stop valve
 - 3) Expansion vessel
 - 4) T&P valve
 - 5) Non-return valve
 - 6) Circulation pump
 - 7) Drain valve
 - 8) Pressure limiting valve
 - 9) Expansion valve
-
- A) Gas supply
 - B) Hot water
 - C) Cold water
 - D) Hot water supply
 - E) Return circulation



IMD-0066-R0

Diagram 7 - Connection diagram (unvented system)

Depending on the water demand pattern (e.g., small amounts frequently), it may be necessary to circulate the water in the water heater to prevent temperature stratification. Therefore, we recommend that a circulation system is installed in the event of such demand patterns (see figure 8). Kits are available from A.O. Smith or our distributors.

- 1) Pump (type: Grundfos UP 20-15 N150, or similar)
- 2) Non-return valve
- 3) Gate valve
- 4) Drain valve
- 5) Gas valve

- A) Cold Water
- B) Hot Water
- C) Return circulation pipe
- D) Gas supply

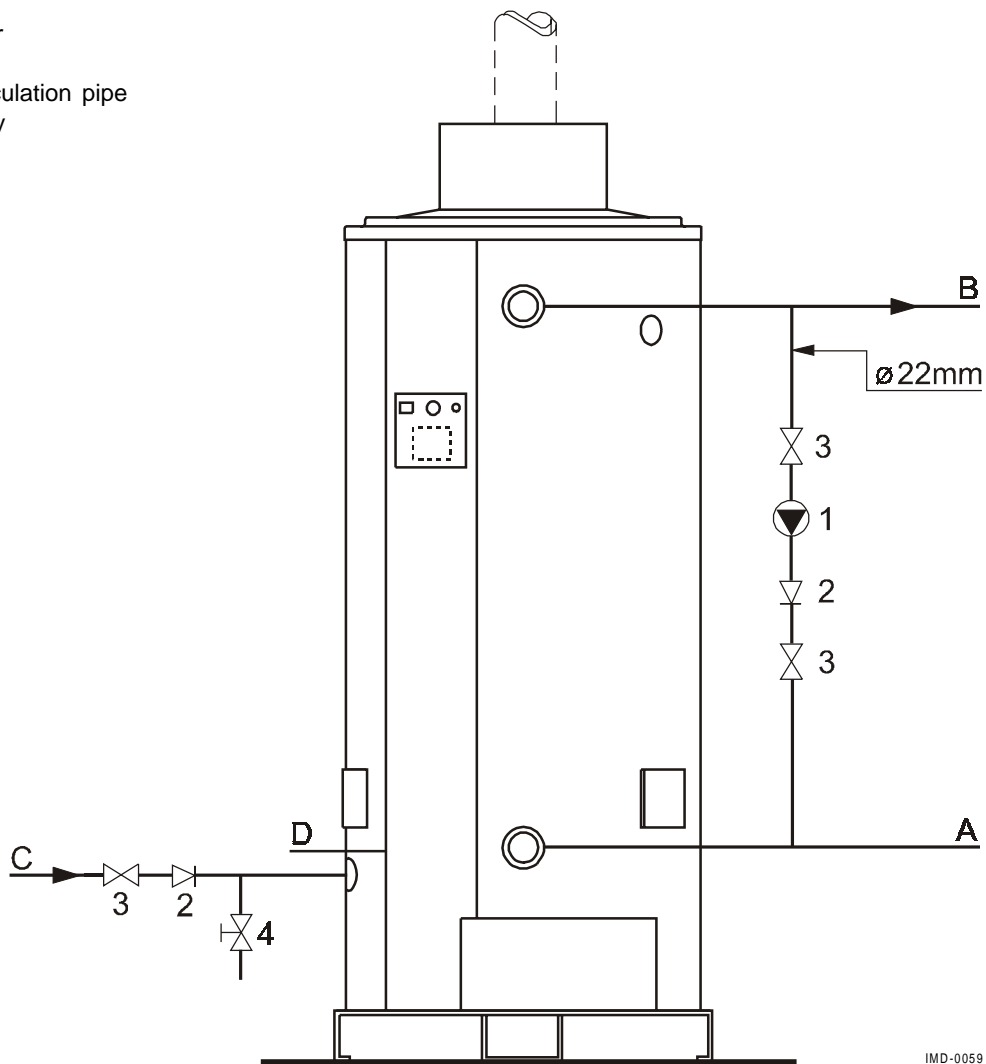


Figure 8 - Connection diagram including destratification circulation system

2.1.3 Condensation drain

In order to guarantee the correct operation of the water heater, the condensate drain of the water heater must open into the sewer interrupted, provided with an extra stench trap or siphon. A condensation drain section fixed to the water heater should be fitted under the slope. The condensate drain of the water heater must never be sealed.

2.1.4 Gas connection

The gas installation may only be carried out by a registered installer and in accordance with the relevant local authority and building regulations and followint British standards.

2.1.5 Flue connections (concentric)

The combined flue discharge and air intake tubes (concentric) should always be assembled with a rising slope towards the flue terminal, and in accordance with the table below.

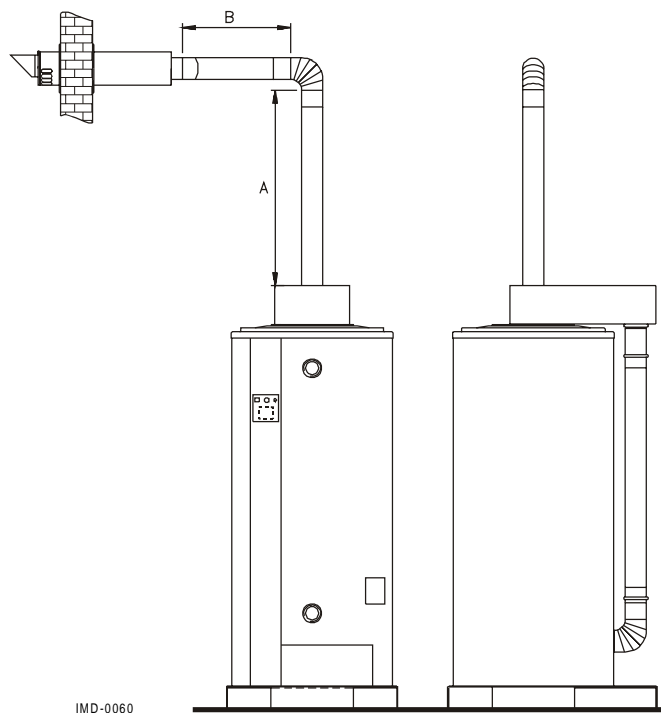


figure 9

- Wall configuration (see figure 9)

Type:	M2000 MDV SE
Manufacturer:	Meulink & Grol
Pipe material flue tube:	Thick-walled aluminium with lip ring seal.
Pipe material air supply:	Thin-walled galvanised steel plate.
Pipe diameter BFM 30:	Ø 80 / 125 mm
BFM 50:	Ø 100 / 150 mm
BFM 80:	Ø 130 / 200 mm
Angle:	90° (2 max.)

Flue configuration / horizontal discharge BFM-unit						
Measurement	BFM 30		BFM 50		BFM 80	
	min.	max.	min.	max.	min.	max.
A	0	7000	0	7000	0	7000
B	0	7000	0	7000	0	7000
A+B	< 7000		< 7000		< 7000	

All measurements are in mm.

The following applies for the horizontal pipe: slope of at least 5 mm per metre of pipe to the water heater.

NB. Measurements A + B are the total permissible dimensions of the flue, i.e. when A = 1 metre, B = 6 metres (total 7 metres) or A = 4 metres, B = 3 metres (total 7 metres).

- Roof discharge (see figures 10 and 11).

Type: M2000 DDV SE HR/VR
 Manufacturer: Meulink & Grol
 Pipe material flue tube: Thick-walled aluminium with lip ring seal.
 Pipe material air supply: Thin-walled galvanised steel plate.
 Pipe diameter BFM30: Ø 80 / 125 mm
 BFM50: Ø 100 / 150 mm
 BFM80: Ø 130 / 200 mm
 Angle: 45°/90° (max 2)

Flue configurations roof discharge BFM-unit						
Measurement	BFM 30		BFM 50		BFM 80	
	min.	max.	min.	max.	min.	max.
A	0	7000	0	7000	0	7000
B	0	7000	0	7000	0	7000
A+B	< 7000		< 7000		< 7000	

All measurements are in mm.

The following applies for the horizontal pipe: slope of at least 5 mm per metre of pipe to the water heater.
 A maximum of 2 bends (45° or 90°) may be used with

these flue configurations.
 These will each equate to 1 metre of flue length.

The maximum flue configuration is therefore 7000 mm pipe, 2 bends (45°/90°) and a lead-through set.

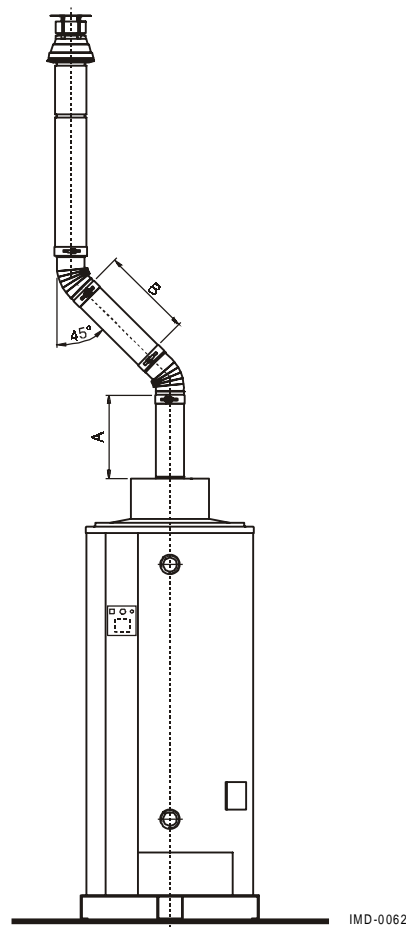
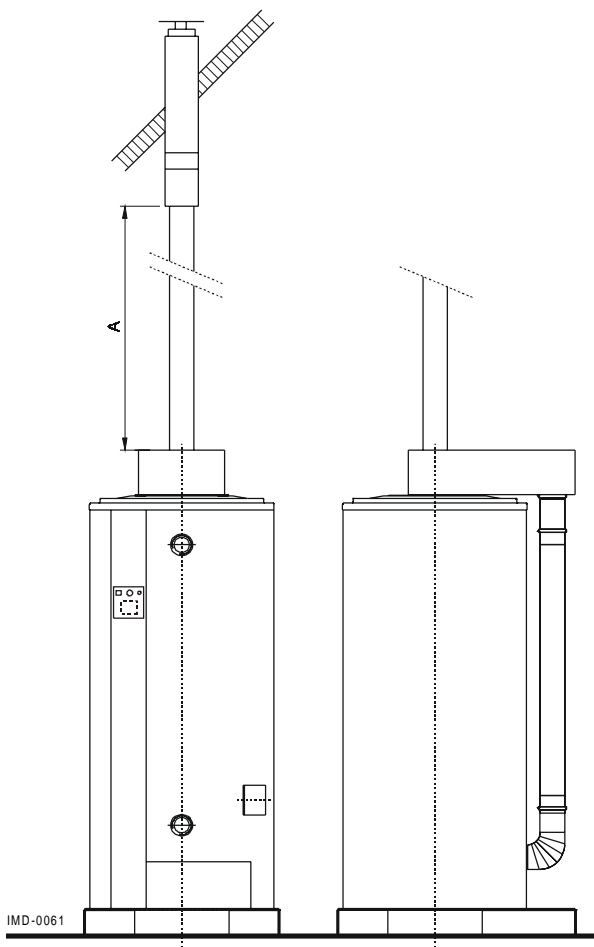


Figure 10 and 11 - Roof discharge.

2.1.6 Electrical connection

All electrical connections must be carried out by a registered electrical contractor to the relevant regulations.

The BFM must be connected to a supply voltage by means of a permanent electric connection and have a feeder cable not less than 3 x 1,0 mm².

Supply voltage	Supply network frequency	Minimum fuse required
220/240 VAC	50 Hz	1 A

The electrical diagram of the BFM-heater and the connections in the control-column are shown in figures 12 and 13.

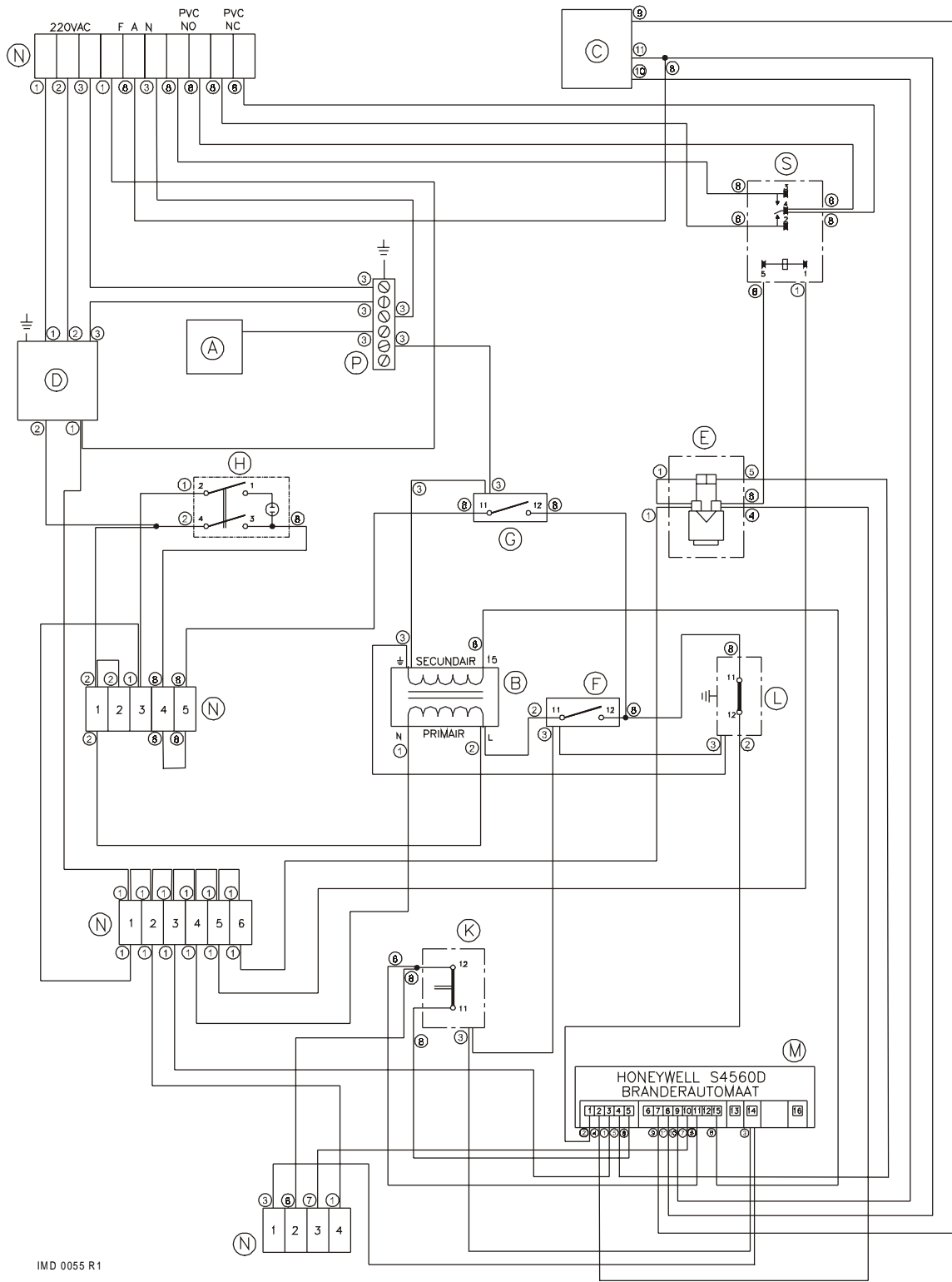
Electrical connection diagram BFM

(see figure 12)

- A) Jacket
- B) Transformer 230V/238V/2VA
- C) Air proving switch
- D) EMC single phase filter
- E) RESET knob
- F) Thermostat frost
- G) Thermostat regulation
- H) Switch ON/OFF
- K) Thermostat overheat 93°C
- L) Thermostat high limit 84°C
- M) Automatic burner controller
- N) Plastic connector strip
- P) Earth terminal block
- S) Relais

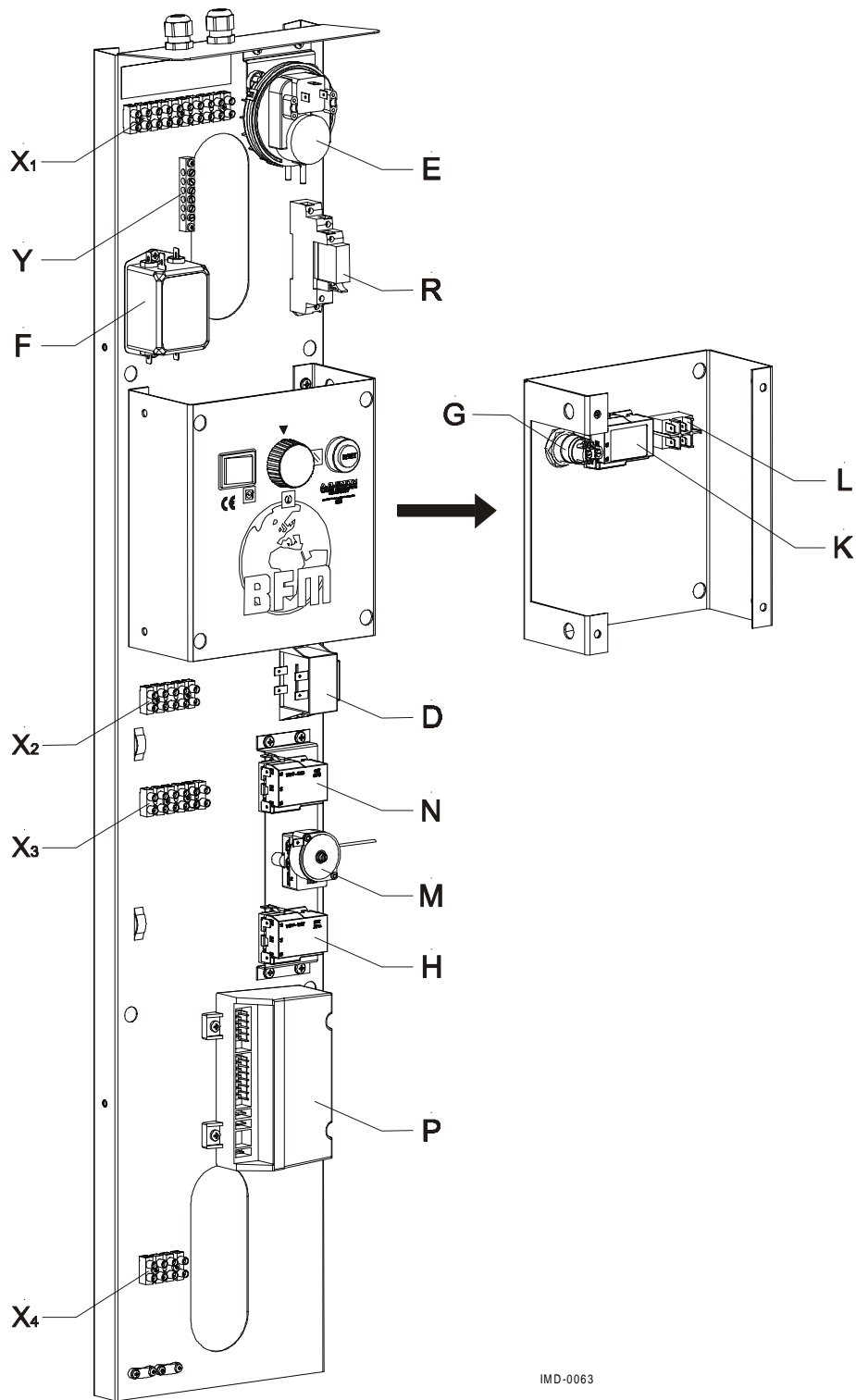
Colour-code cables:

- ① Blue
- ② Brown
- ③ Yellow/green
- ④ Red
- ⑤ White
- ⑥ White/orange
- ⑦ White/violet
- ⑧ Black
- ⑨ Black/green
- ⑩ Black/red
- ⑪ Black/white



IMD 0055 R1

Figure 12 - Electrical connection diagram BFM



IMD-0063

Figure 13 - Connection diagram control-column.

- | | |
|----------------------------|--------------------------------|
| D) Transformer 230 | M) Thermostat overheat |
| E) Air proving switch | N) Thermostat high limit |
| F) EMC single phase filter | P) Automatic burner controller |
| G) RESET knob | R) Relay |
| H) Thermostat frost | X) Plastic connector strip |
| K) Thermostat regulation | Y) Earth terminal block |
| L) Switch ON/OFF | |

2.2 Turning the water heater on

2.2.1 Filling the water heater

1. Assemble the drain-off tap and check that it is closed.
2. Open the cold water tap to the water heater and open all taps on hot water outlet points to vent them. The heater is filled as soon as cold water pours out of all outlet points.
3. Close all taps at hot water draining points. The heater is now under water supply pressure. At this pressure, the relief valve if fitted may not release water.

2.2.2 Turning the water heater on

1. Check whether the water heater is filled with water and whether the gas pipe to the water heater is open.
2. Vent the gas pipe by opening the pressure gauge nipple at the inlet side of the gas valve. Close the pressure gauge nipple as soon as the gas pipe has been vented.
3. Turn the temperature control knob fully to the left.
4. Turn on- the supply voltage by turning the main switch. NOTE: if the frost-thermostat is calling for heat the burner automation will immediately start its ignition procedure.
5. Turn the 'I/O'-switch on the column to the 'T' position. The control lamp in the switch will light.
6. Turn the temperature control switch to the desired position, preferably position 3 (approximately 60°C). The burner will ignite; the water heater will now work automatically.
7. Check the standing pressure with a manometer which can be connected to the pressure gauge nipple. Check that the working pressure is set to the correct level (see table page 10).

2.2.3 Setting up the pilot flame

The pilot flame has been adjusted in the factory and does not have to be checked.

2.3 Turning the water heater off

For short periods:

1. Turn the temperature knob fully to the left and turn the 'I/O'-switch in the 'O'-position.

For longer periods:

1. Switch off the supply voltage.
2. Close the gas tap in the supply line.
3. Close the water supply tap.
4. If there is danger of frost, drain the water heater.

2.4 Usage/temperature control

The water temperature is controlled via the temperature regulator. If the temperature in the water heater falls below the set value, the temperature regulator will call for heat. The burner automation will operate firstly the ventilation fan for its purge cycle, then a spark will ignite the pilot burner. The softlite control then ignites the main burner.

The position of the temperature control knob coincides with the following temperatures:

- Position 1 = app. 40°C
- Position 2 = app. 50°C
- Position 3 = app. 60°C
- Position 4 = app. 70°C

At high temperatures, more calcium precipitation is caused in the water heater. Moreover, the standby-losses of the water heater are greater with higher temperatures. It is recommended to set the control-thermostat at approximately 60°C. For reasons of security, the water heater is provided with a high limit and safety thermostats. The high limit thermostat is an extra control set at 80°C and will operate in the event of excess temperature within the water heater.

If the safety thermostat operates, the 'RESET' button must be pressed after the water has cooled down. The water heater will operate again in the usual manner.

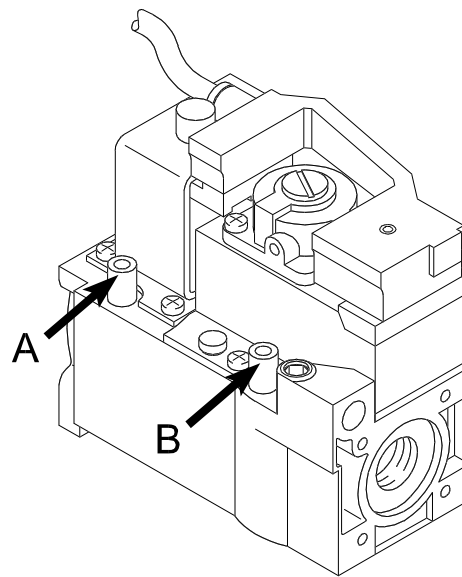
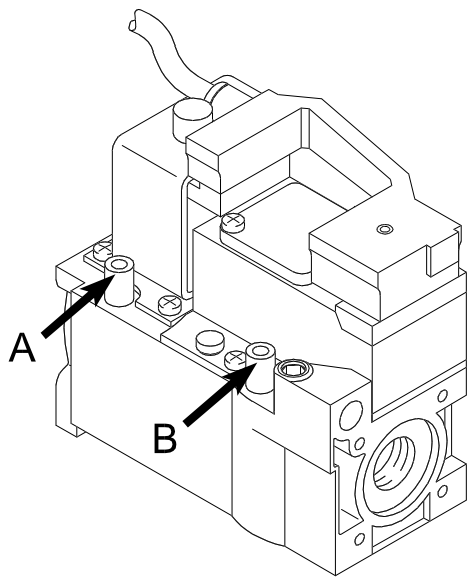
2.5 Checking the gas pressures

The nominal load has been set at the correct value in the factory. A further check of the pressure should be carried out during the commissioning of the unit.

A dangerous situation can occur if the following instructions are not followed carefully. Setting the nominal load is possible as there is a burner pressure control. If you wish to adjust the burner pressure the following procedures must be followed:

1. Switch off main power by turning the I/O switch to '0' position.

2. Connect the U-tube manometer to pressure nipple B.
3. Switch on main power and ensure temperature control is calling for heat.
4. Wait until water heater is firing.
5. Check pressure against table on page 10 for relevant gas and adjust at main gas valve.
6. Switch of main power as no. Y.
7. Remove U-tube manometer and close pressure nipple.
8. Switch on main power and test for gas tightness and correct operation, (Figure 14).



AOS 0655

Figure 14 - Checking the gas pressures

2.6 Conversion to another gas

Important: Install a gas valve suitable for the type of gas to be used.

If the water heater has to function on a gas category (LP or natural gas) other than the gas set as standard (ex works), the water heater must be converted to the applicable gas category with the associated conversion kit(s).

Only an accredited installer may convert the heater.

All the injectors of the main burner bars and the injector of the ignition pilot must be replaced.

Regularly natural gas units do have a burner pressure regulator, but LP-gas units do not.

The burner pressure regulator on the gas control must be removed when converting the heater for use on LP-gas (if present).

The burner pressure regulator must be fitted on the gas control when converting to natural gas (if required)

The table with technical data shows which injectors must be fitted for the gas category in question.

Procedure:

1. Shut the water heater down; close the main inlet gas valve and switch of the electricity supply at the main switch;
2. Remove the burner tray including the gas valve:
 - a. remove the screws of the burner tray housing,
 - b. loosen the wiring of ignition and ionisation pen on the burner controller,
 - c. loosen the gas control cable,
 - d. dismantle the gas supply to the gas valve;
3. Remove the burner tray from underneath the heater;
4. Replace the main injectors and the injector of the ignition burner. Use the table with technical data to check that the diameter of the injectors is correct;
5. Converting from natural gas to LP-gas:
 - a. remove the burner pressure regulator on the gas control,
 - b. mount the flat covering plate with sealing provided in the conversion kit,
 - c. see figure 15;Converting from LP-gas to natural gas:
 - a. remove the flat covering plate with sealing on the gas control,
 - b. mount the burner pressure regulator on the gas valve,
 - c. See figure 16;
6. Mount the burner tray;
7. Reconnect the wiring and gas supply to the gas valve;
8. Open the main inlet gas valve;
9. Check the gas inlet pressure;
10. Switch on the electricity supply at the main switch;
11. Commission the water heater;
12. Adjust the burner pressure to the value as indicated in the technical data;
13. Check the soundness;
14. Check the operation of the heater;
15. Fix the conversion sticker from the conversion kit below the rating plate to the heater, so that is clear on which gas category the heater operates.

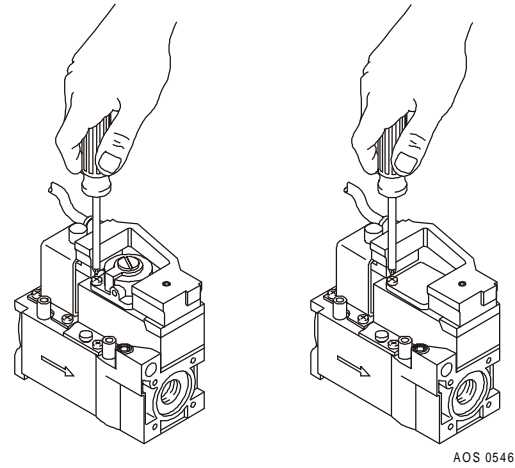


Figure 15 - mounting covering plate with sealing on the gas valve

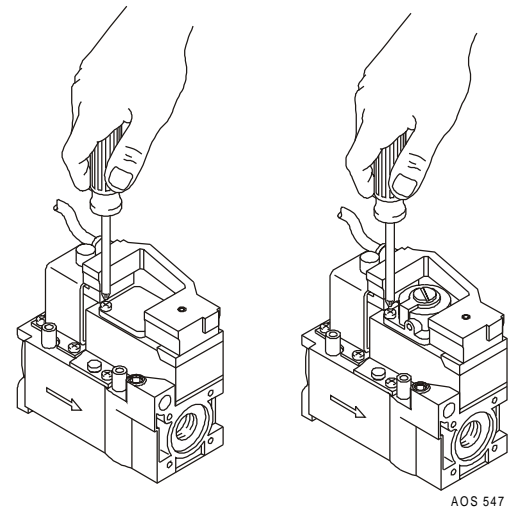


Figure 16 - mounting burner pressure regulator on the gas valve,

2.7 Maintenance

The water heater must be checked and cleaned regularly (at least once a year) by an accredited installer, so that proper operation is guaranteed. The bar burners, control and safety valves must also be checked. (see figure 17).

2.8 Anode

The life of the anode is determined by the quality and the quantity of water flowing through the water heater. Therefore, we recommend that the anode is checked regularly - preferably simultaneously with an internal inspection of the enamelled tank. In order to determine the frequency with which the anodes must be replaced, the water side of the boiler must be checked three months after installation. The anodes must be replaced if more than 50% has dissolved at any point on their length.

Procedure:

1. Shut off the cold water supply tap.
2. Completely empty the water heater by means of the draw-off tap. Remember to ventilate the water heater.
3. Remove the sealing plates at the hand holes on the outer cover of the water heater.
4. Open the hand holes and inspect the anodes. In order to guarantee a water-tight seal at the hand holes, the rubber O-rings must be replaced (see figure 18).

If the anodes need replacing:

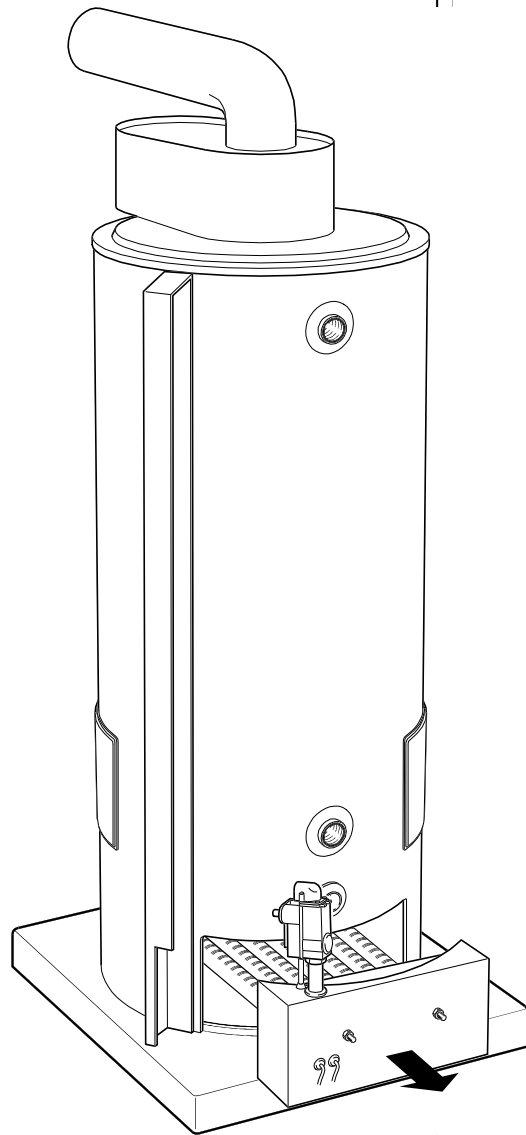
1. Disassemble the concentric flue tube.
2. Disassemble the electrical connection of the ventilation fan on the top-box.
3. Loosen the fastening bolts of the top-box.
4. Remove the top-box, the positioning of the anodes will now become visible (see figure 18).
5. Loosen the anodes with suitable tools and replace with new ones. NOTE: the anodes must be in contact with the tank (metal on metal). For if the anodes and tank are electrically separated (as a result of the sealant used), the anode cannot perform its function. This can shorten the life-span of the tank.
6. Assemble everything in reverse order.
7. Fill the water heater.

2.9 Descale procedure

Calcium deposition depends on the type of water and the demand. In addition, calcium deposition increases at high water temperatures. A temperature setting of 60°C is recommended, which will keep calcium deposition to a minimum.

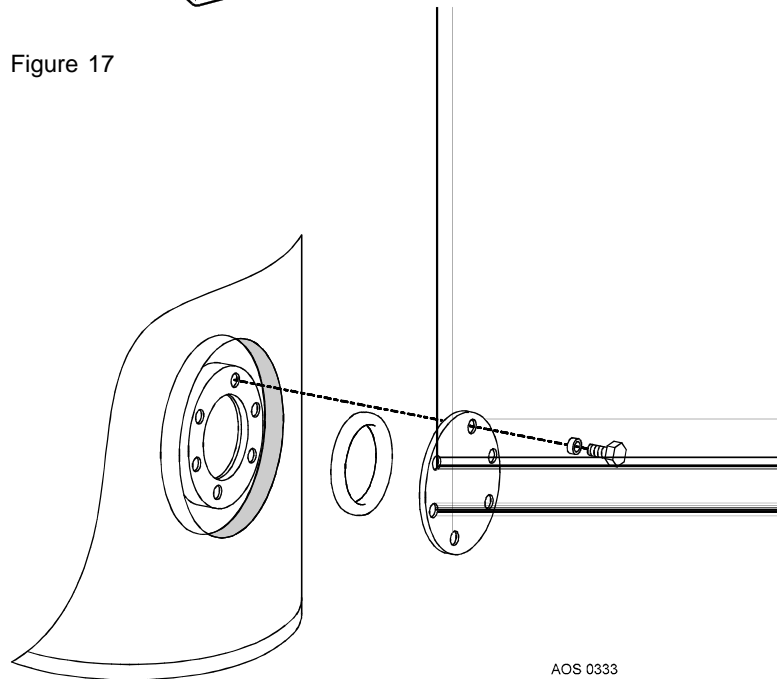
Inspection hatches are located on the right and left sides for inspecting and deliming the tank. The hand holes can be reached via the covering plates on the outer jacket.

Empty the water heater before opening the inspection hatches. Deliming must be executed with the correct tools. Consult the supplier of the water heater or the installer on this matter. In order to guarantee a water-tight seal of the hand holes, the rubber O-rings in the hand holes must be replaced (see figure 17).



AOS 0663

Figure 17



AOS 0333

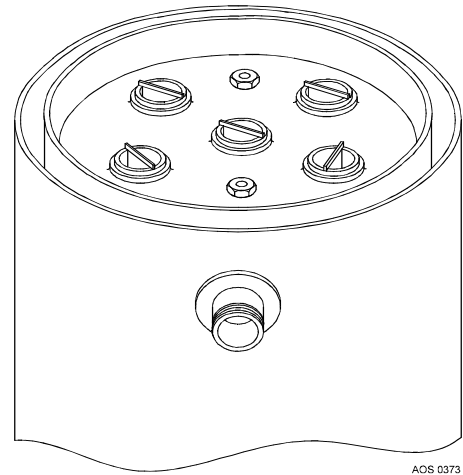
Figure 18 - Maintenance anodes

2.10 Condensation

If the water heater has been filled with cold water or if the hot water usage has been very high, normally condensation of the flue gasses will occur on the cold sides of the combustion chamber and the flue tubes. The water drops will fall on to the burner bed which can cause a hissing sound. This is normal and will disappear as soon as the water heater has reached its operating temperature again.

2.11 Spare parts

To order spare parts, it is important to state the water heater type, model and the complete serial number.



ACS 0373

Figure 19 - Maintenance anodes

3. FOR THE USER

3.1. Instructions for use

Installation and commissioning of the water heater should only be undertaken by a registered installer.

3.1.2 Filling the water heater

1. Assemble the drain-off tap and ensure it is closed;
2. Open the cold water tap to the water heater and open all taps on hot water drain-off points to vent them. The heater is filled as soon as cold water pours out of all drain-off points;
3. Close all taps at hot water drain-off points. The heater is now under water supply pressure. At this pressure, the relief valve if fitted may not release water.

3.1.3 Turning the water heater on

1. Check that the water heater is filled with water and that the gas pipe to the water heater is open;
2. Turn the temperature control knob fully to the left;
3. Turn on(the supply voltage by turning the main switch. NOTE: if the frost-thermostat has been turned on, the burner automation will immediately start its ignition procedure);
4. Turn the 'I/O'-switch on the column in the 'T' position. The control lamp in the switch will now light;
5. Turn the temperature control switch in the desired position, preferably position 3 (approximately 60°C). The ventilation fan will start. the water heater will ignite and work automatically.

3.2 Usage

The water temperature is controlled via the temperature regulator. If the temperature in the water heater falls below the set value, the temperature regulator call for heat. The burner automation will operate firstly the ventilation fan for its purge cycle, then a spark will ignite the pilot burner. The softlite control then ignites the main burner.

The temperature is indicated by the position of the temperature dial:

Position 1 = app. 40°C

Position 2 = app. 50°C

Position 3 = app. 60°C

Position 4 = app. 70°C

At high temperatures, more calcium precipitation is caused in the water heater. Moreover, the standby-losses of the water heater are greater at higher temperatures. It is recommended that the control-thermostat be set at approximately 60°C. For reasons of security, the water heater is provided with a high limit and safety thermostats. If the high limit thermostat operates, the burner will not fire until the water has cooled sufficiently to allow the thermostat to automatically reset. The water heater will then return to the control of the temperature regulator.

If the safety thermostat operates due to high temperature the ignition sequence must be repeated after resetting the control.

3.3 Turning the water heater off

For short periods:

1. Turn the temperature knob fully to the left and turn the 'I/O'-switch in the 'O'-position.

For longer periods:

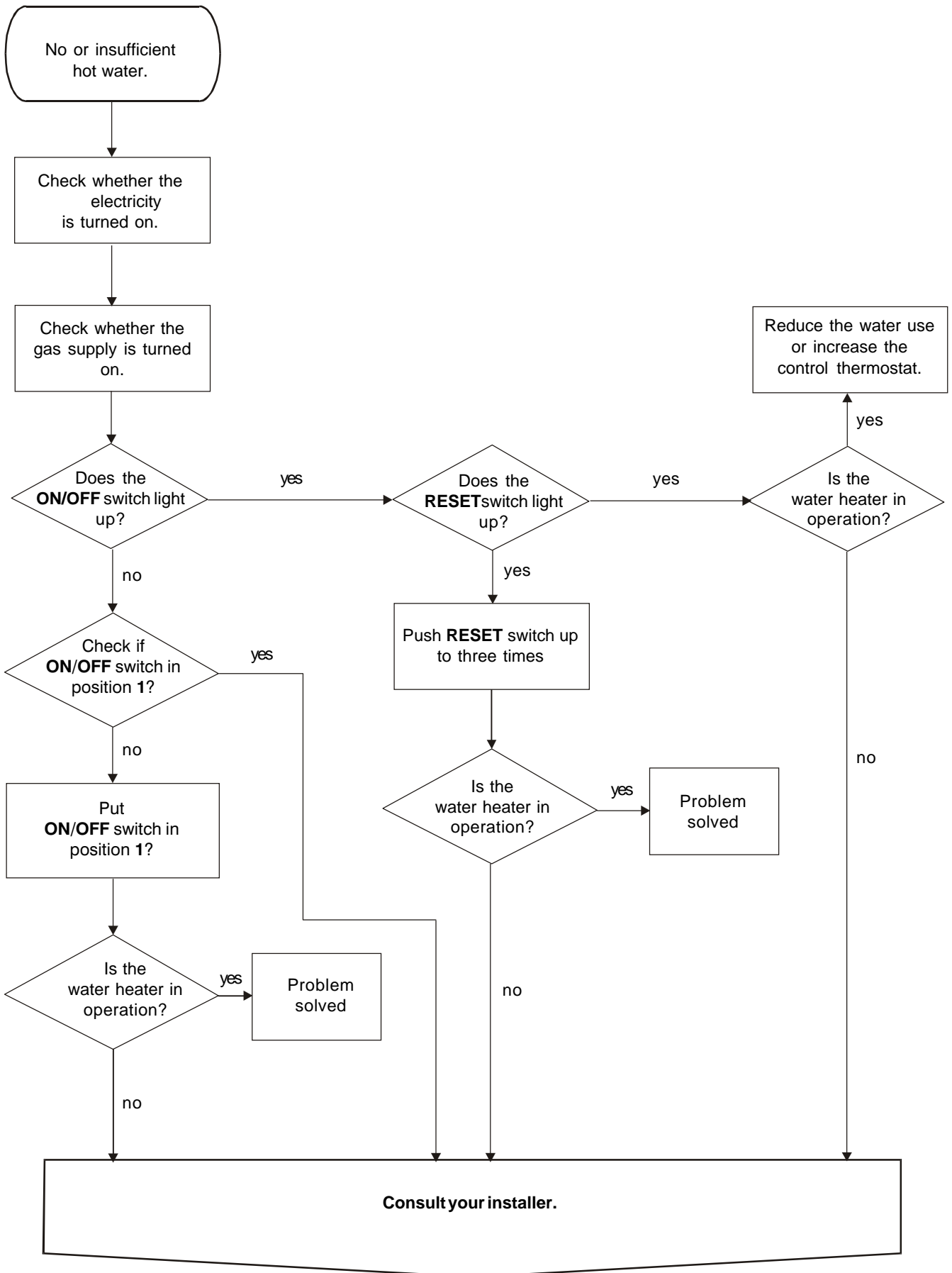
1. Switch off the supply voltage;
2. Close the gas tap in the supply line;
3. Close the water supply tap;
4. If there is danger of frost, drain the water heater.

3.4. Maintenance

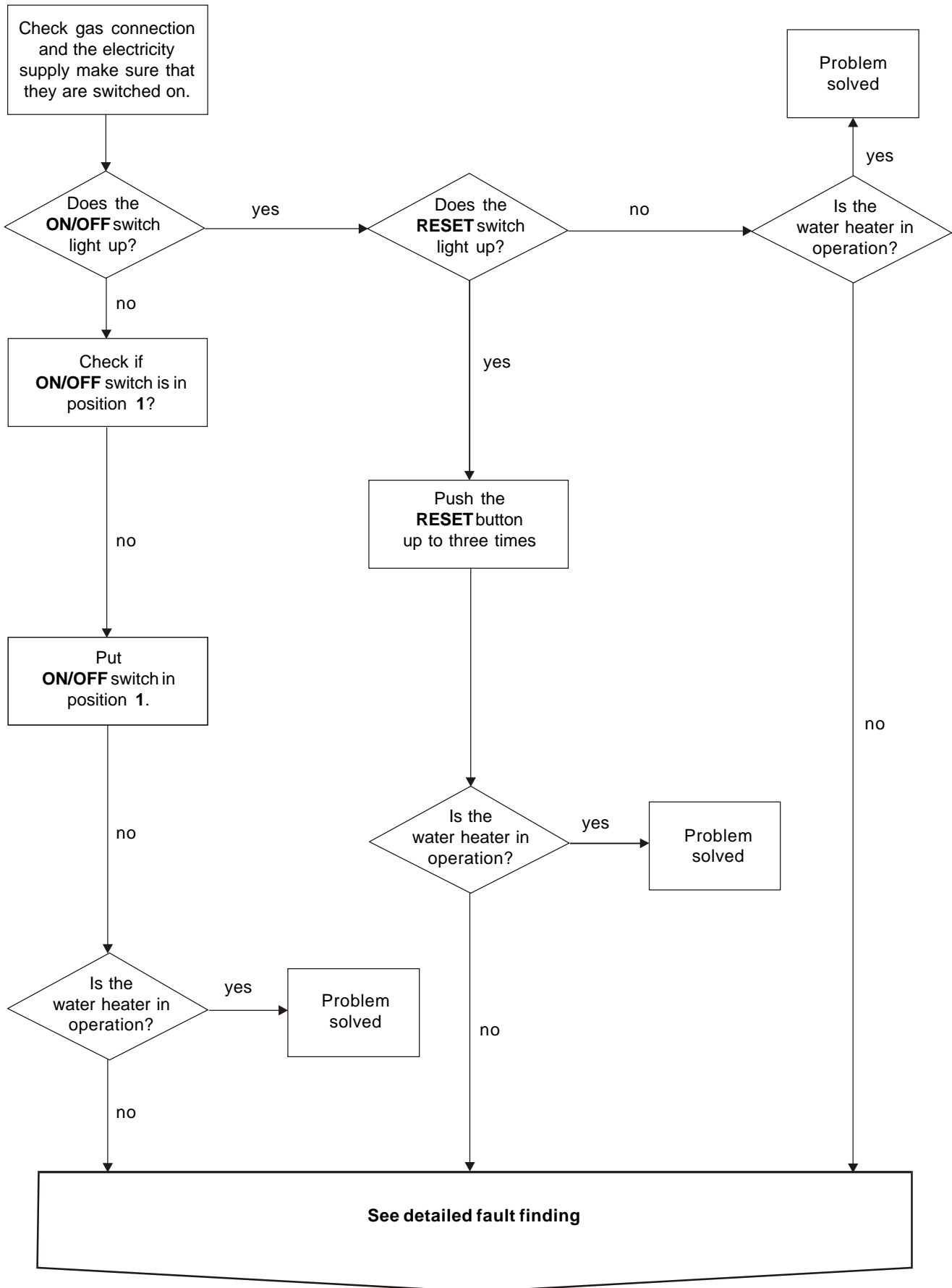
The water heater must be checked and cleaned regularly (at least once a year) by an accredited installer, so that proper operation is guaranteed. The bar burners, the pilot burner and the control and safety valves must also be checked.

4. FAULT FINDING

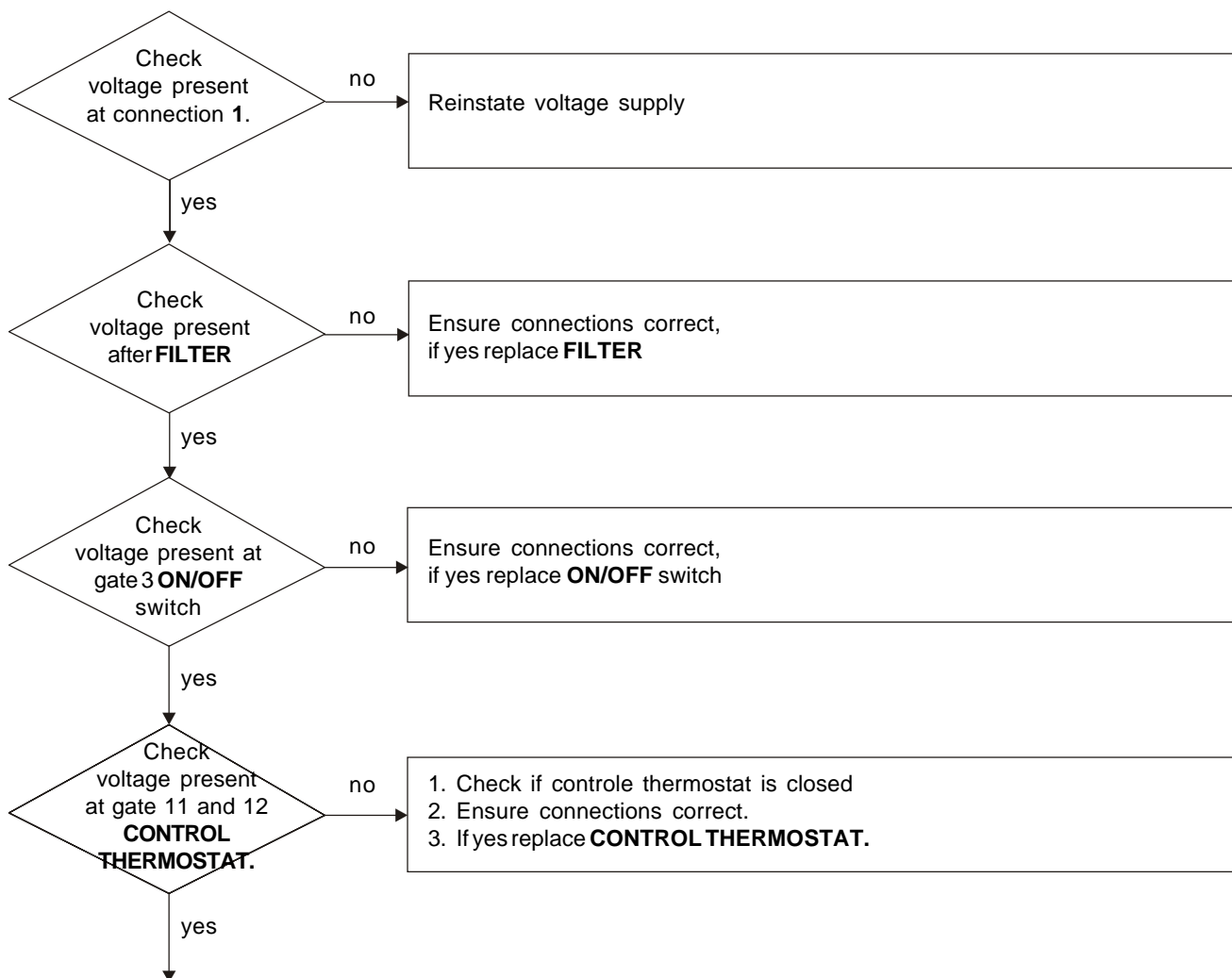
4.1 Fault finding USER

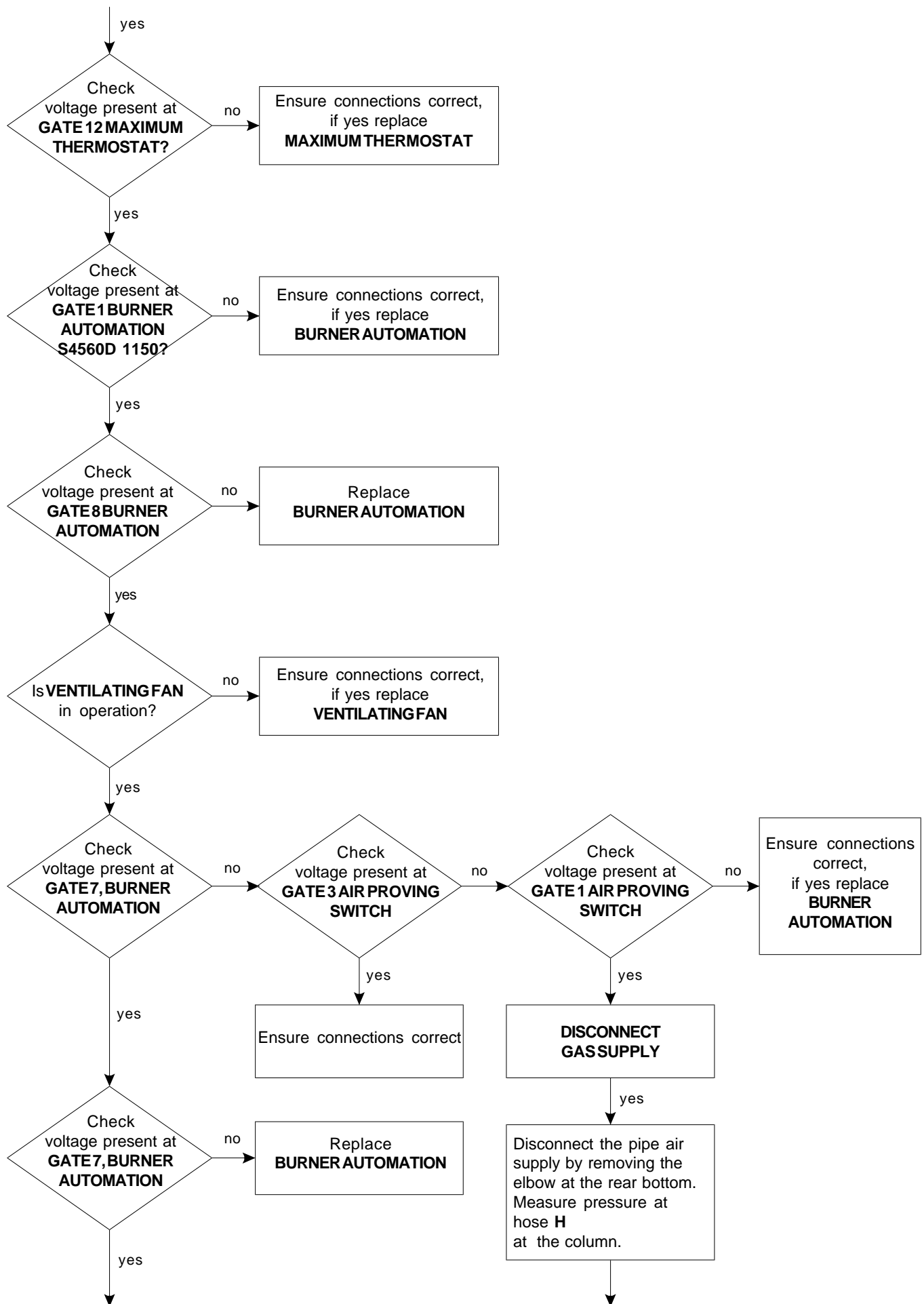


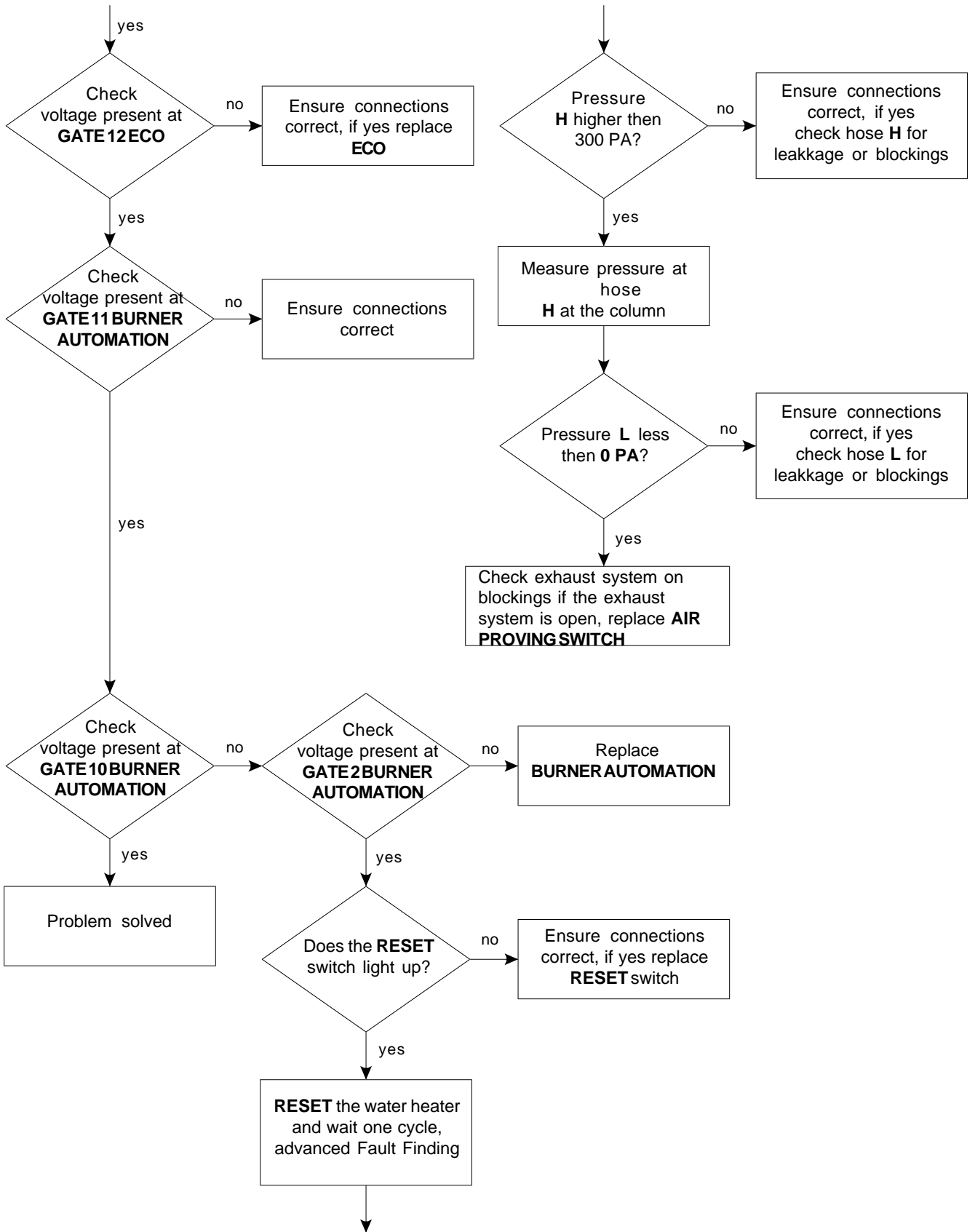
4.2 Fault finding INSTALLER

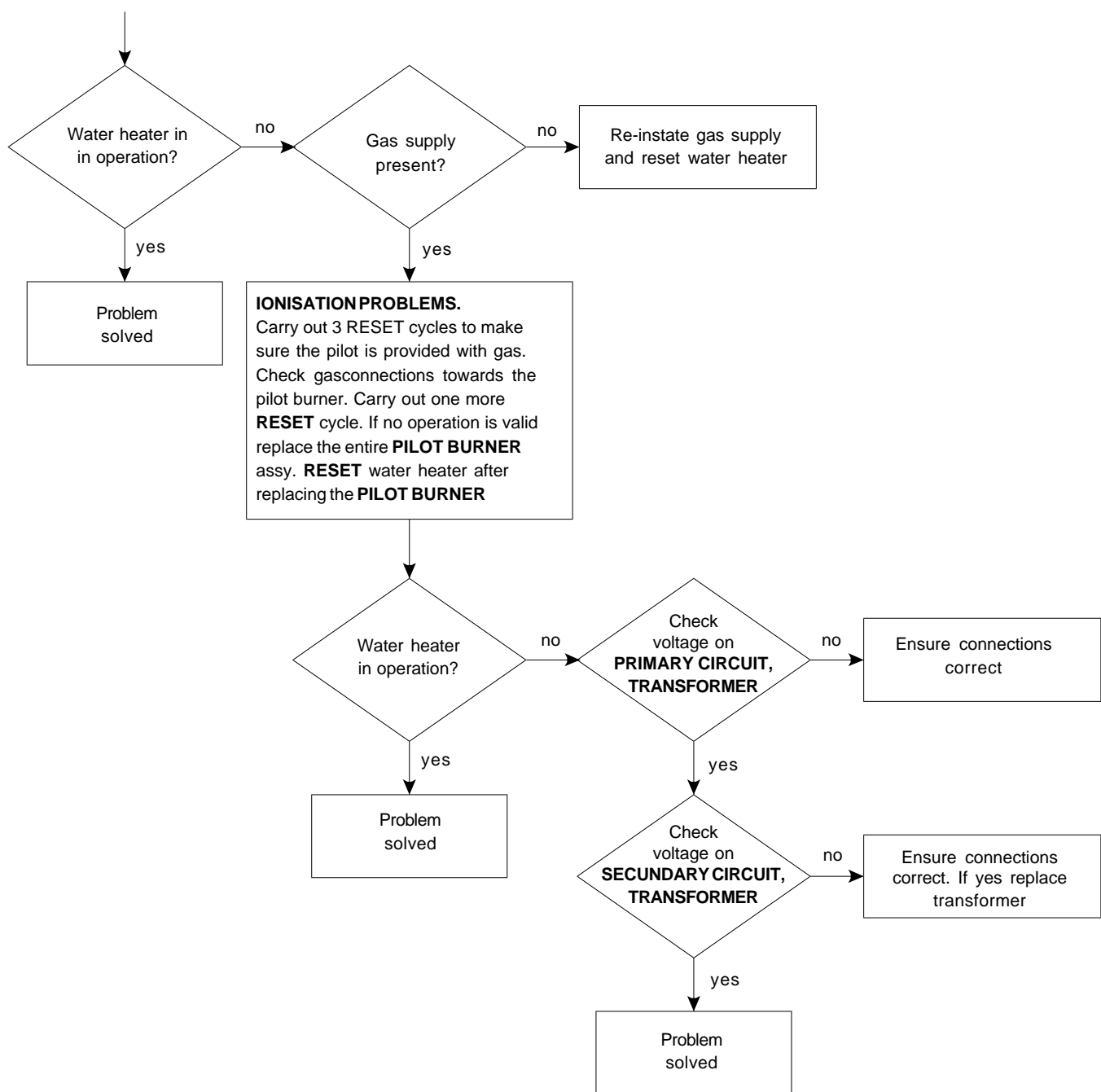


4.3 Detailed fault finding INSTALLER









5. WARRANTY

The following conditions form the guarantee agreement between A.O. Smith Water Products Company (the warrantor) and the owner of the water heater.

5.1 Guarantee in general

If within one year of the original installation date of the water heater any part or component other than the tank shall prove upon examination by the warrantor or authorised agent to be defective in material or workmanship, the warrantor will exchange such part or component.

5.2 Guarantee of the tank

If within 3 years of the original installation date, the tank fails due to rust or corrosion from the water side, the warrantor will supply a complete new water heater of equivalent size and duty (excluding delivery and installation charges). On the replacement water heater a guarantee will be granted sufficient to cover the unexpired portion of the original 3 year guarantee of the originally installed water heater.

5.3 Conditions for installation and use

The guarantee applies to the water heater only while it remains in its original location, and is installed in accordance with local plumbing and building regulations and all relevant Codes of Practice.

The water heater should also have been used only:

- a) for potable water free to circulate at all times and with the tank free of damaging scale deposits;
- b) at temperatures not exceeding the maximum setting of its thermostat and ECO (Energy Cut Off device);
- c) at water pressures and/or energy inputs which do not exceed those stated on the rating plate of the water heater;
- d) in a non corrosive atmosphere or area;
- e) with an approved temperature and pressure relief valve of adequate capacity not exceeding the working pressure rating shown on the water heater, and installed in conformity with A.O. Smith Water Products Companies installation instructions;
- f) when anode(s) have been inspected and renewed, if they are worn or eroded by 50% or more at any point of their length.

5.4 Exclusions

The guarantee will be null and void:

- a) if the water heater has been damaged by an external cause;
- b) in case of misuse, neglect (including frost damage) or incorrect use of the water heater;
- c) in case of unauthorised alteration, modification or repair;
- d) in case of ingress into the water heater of chemicals, pollutants or contaminants;
- e) if the hardness of the incoming water is, or has been, softened below 106 ppm CaCO_3 ;
- f) if the water heater is effected by corrosive vapours such as those found in hairdressers, dry cleaners

and laundries or where some industrial degreasing products are used and stored (for further information and advice please contact the A.O. Smith Technical Department).

5.5 Range of the guarantee

All replacement water heaters supplied under the terms of this warranty will be supplied ex stock on an F.O.B. basis. A.O. Smith accepts no responsibility for carriage, labour or other installation costs.

5.6 Claims

Any claim under this warranty should be initiated with the dealer who originally sold the water heater or with any other dealer or stockist of the warrantors products.

5.7 No other guarantee or warranty either expressed or implied is made on behalf of A.O. Smith Water Products Company.

With respect to the water heater in question further A.O. Smith does not guarantee this water heater as suitable for purpose except within the terms of warranty detailed above.

A.O. Smith Water Products Company will not be liable by virtue of this guarantee or otherwise for damage to any persons or property when arising out of contracts or tort.

The terms of this guarantee do not effect your statutory rights under United Kingdom Consumer Legislation.

This guarantee applies to the following models:

BFM 30
BFM 50
BFM 80

Free Manuals Download Website

<http://myh66.com>

<http://usermanuals.us>

<http://www.somanuals.com>

<http://www.4manuals.cc>

<http://www.manual-lib.com>

<http://www.404manual.com>

<http://www.luxmanual.com>

<http://aubethermostatmanual.com>

Golf course search by state

<http://golfingnear.com>

Email search by domain

<http://emailbydomain.com>

Auto manuals search

<http://auto.somanuals.com>

TV manuals search

<http://tv.somanuals.com>