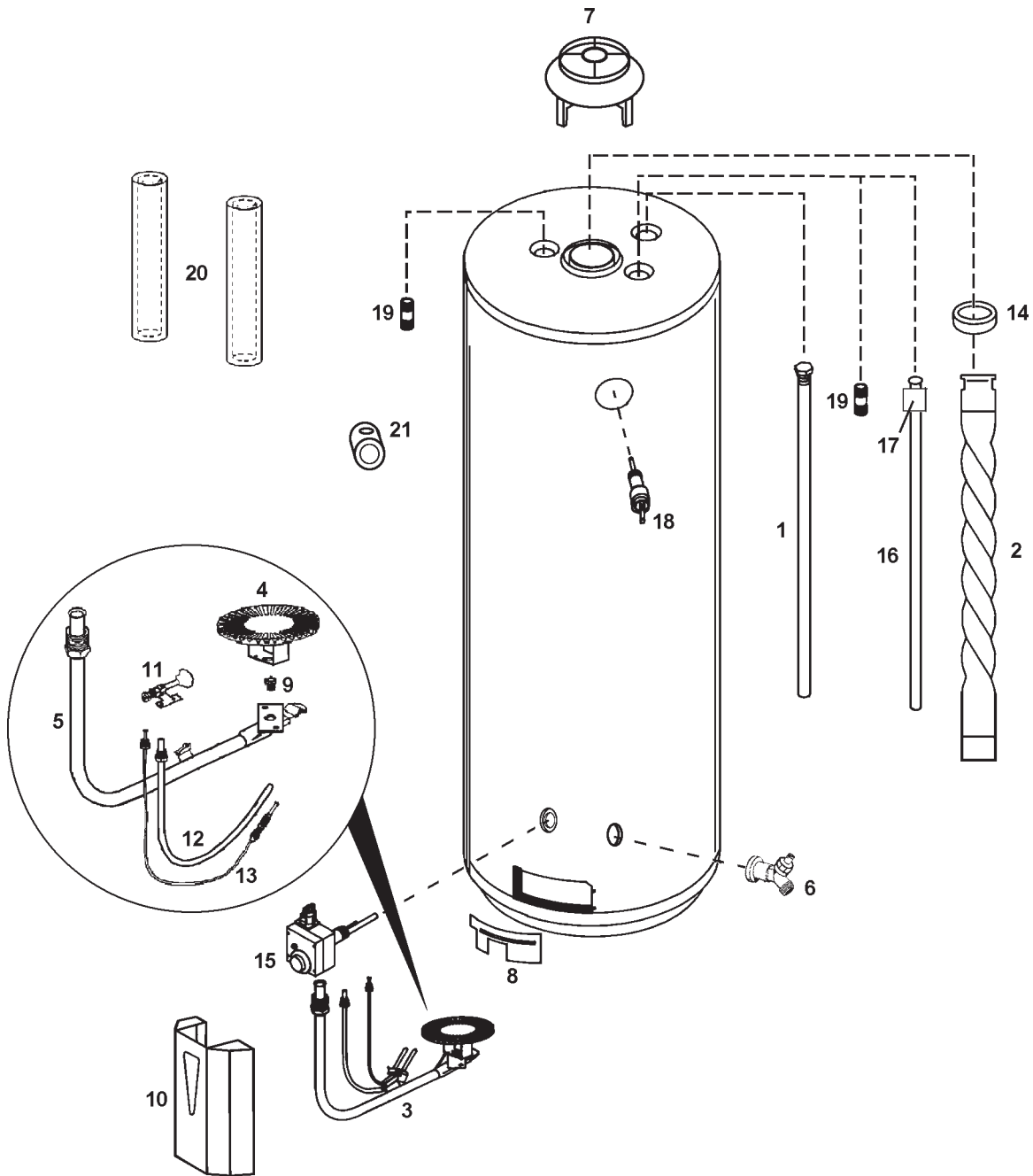


A.O. SMITH

WATER PRODUCTS COMPANY

GAS

BT 65 Series 100/111



A.O. SMITH WATER PRODUCTS COMPANY

5621 W. 115TH STREET • ALSIP, ILLINOIS 60803

PHONE: 1-800-433-2545 • FAX: 1-800-433-2515

Website: www.aosmithwaterheaters.com • E-mail: parts@hotwater.com

Item Description

BT 65 Series 100/111

1.	Anode	183463-032
2.	Baffle, Flue A'ssy w/Ring	184015-004
3.*	Burner A'ssy Natural Gas	0015152130
3.*	Burner A'ssy Propane Gas	0015152390
4.	Burner A'ssy Main Natural Gas	194549-000
4.	Burner A'ssy Main Propane Gas	184351-000
5.	Burner, Tube Natural Gas	0002202330
5.	Burner, Tube Propane Gas	0002202320
6.	Drain Valve Brass	026273-003
7.	Draft Hood	183853-000
8.	Inner Door	0003901050
9.	Orifice Natural Standard	181508-027
9.	Orifice Natural High Alt. 8,000'	181508-030
9.	Orifice LP Standard	181791-045
9.	Orifice LP High Alt. 8,000'	181791-049
10.	Outer Door	184299-000
11.	Pilot Assembly Natural Gas	194550-002 (#0003600520)
11.	Pilot Assembly LP Gas	194550-003 (#0003600530)
12.	Pilot Tubing	196138-018
13.	Thermocouple	194621-019
14.	Flue Hanger Ring	035405-000
15.	Thermostat Natural (180 degree)	190015-000
15.	Thermostat LP (160 degree)	0001804310
16.	Inlet Tube	183900-024
17.	Inlet Tube Spacer	184011-000
18.	Relief Valve	076527-000
19.	Heat Trap Nipple	184633-000
20.	Pipe Insulation	181639-000
21.	T&P Valve Insulation	183256-000

* Has Generic Orifice that will need to be drilled to appropriate size.

Free Manuals Download Website

<http://myh66.com>

<http://usermanuals.us>

<http://www.somanuals.com>

<http://www.4manuals.cc>

<http://www.manual-lib.com>

<http://www.404manual.com>

<http://www.luxmanual.com>

<http://aubethermostatmanual.com>

Golf course search by state

<http://golfingnear.com>

Email search by domain

<http://emailbydomain.com>

Auto manuals search

<http://auto.somanuals.com>

TV manuals search

<http://tv.somanuals.com>